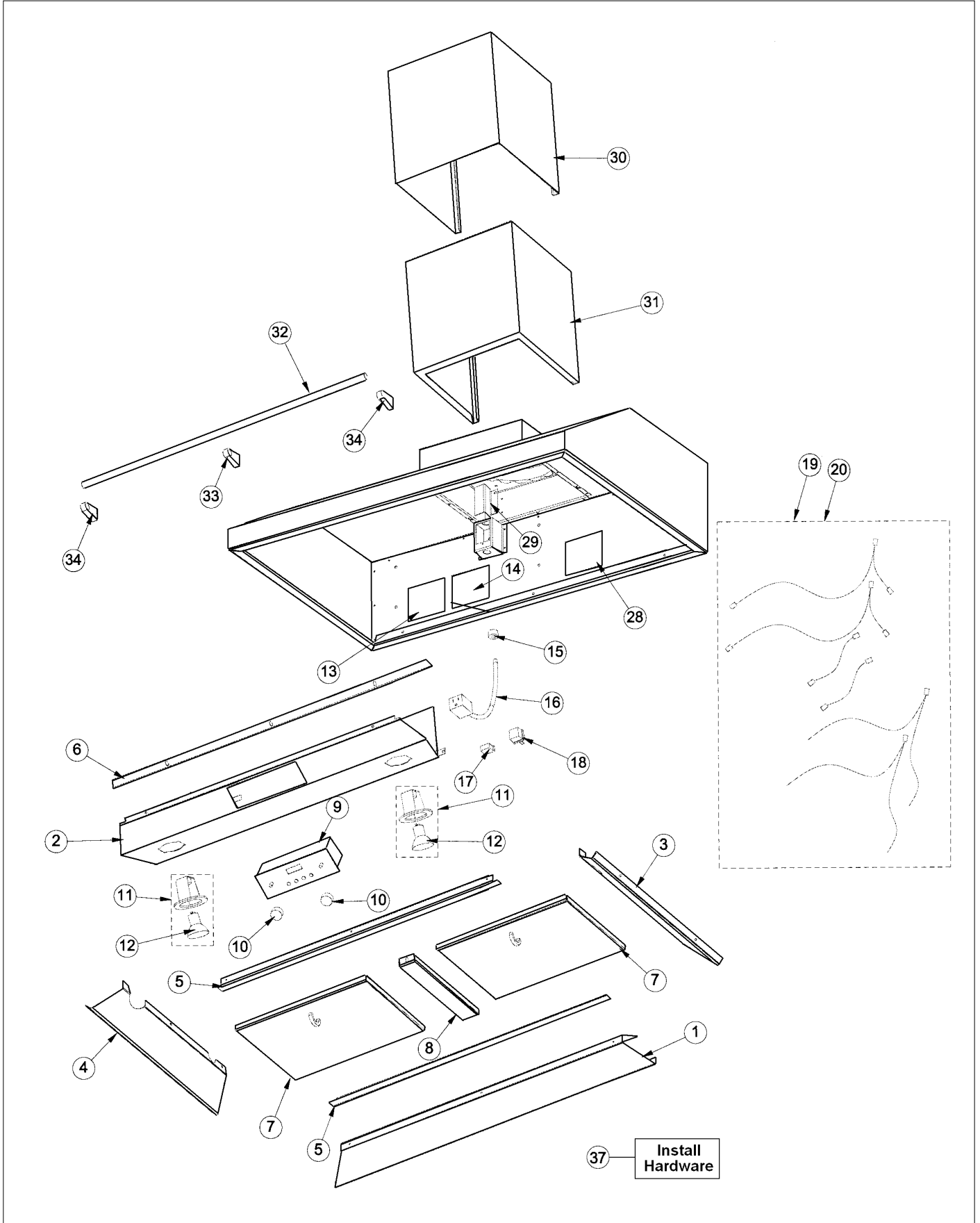


DTWS3649

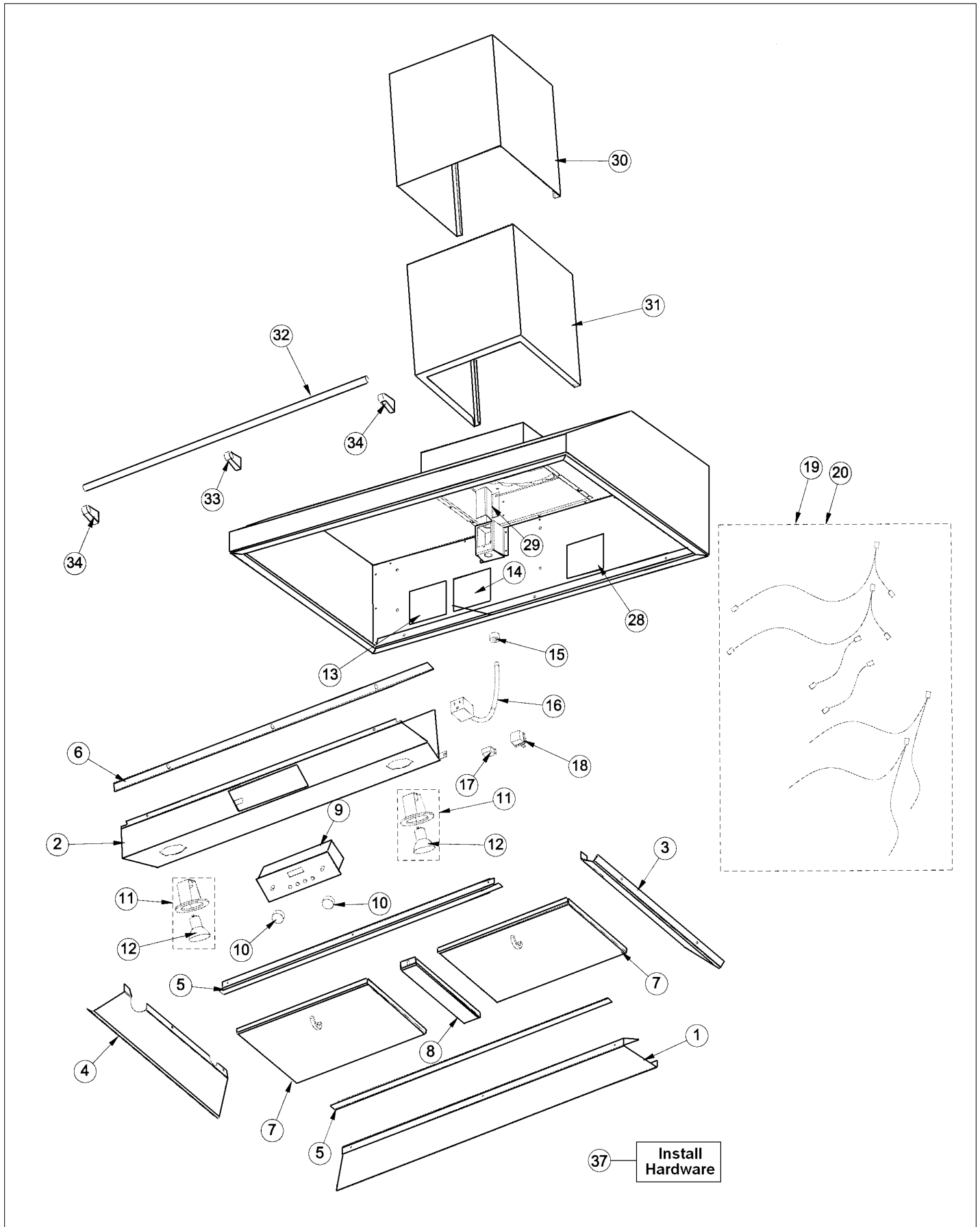
RATING LABEL LOCATION	1
SHEET1	2
Appendix A:Pages Index	A
Appendix B:Parts Index	B

RATING LABEL LOCATION

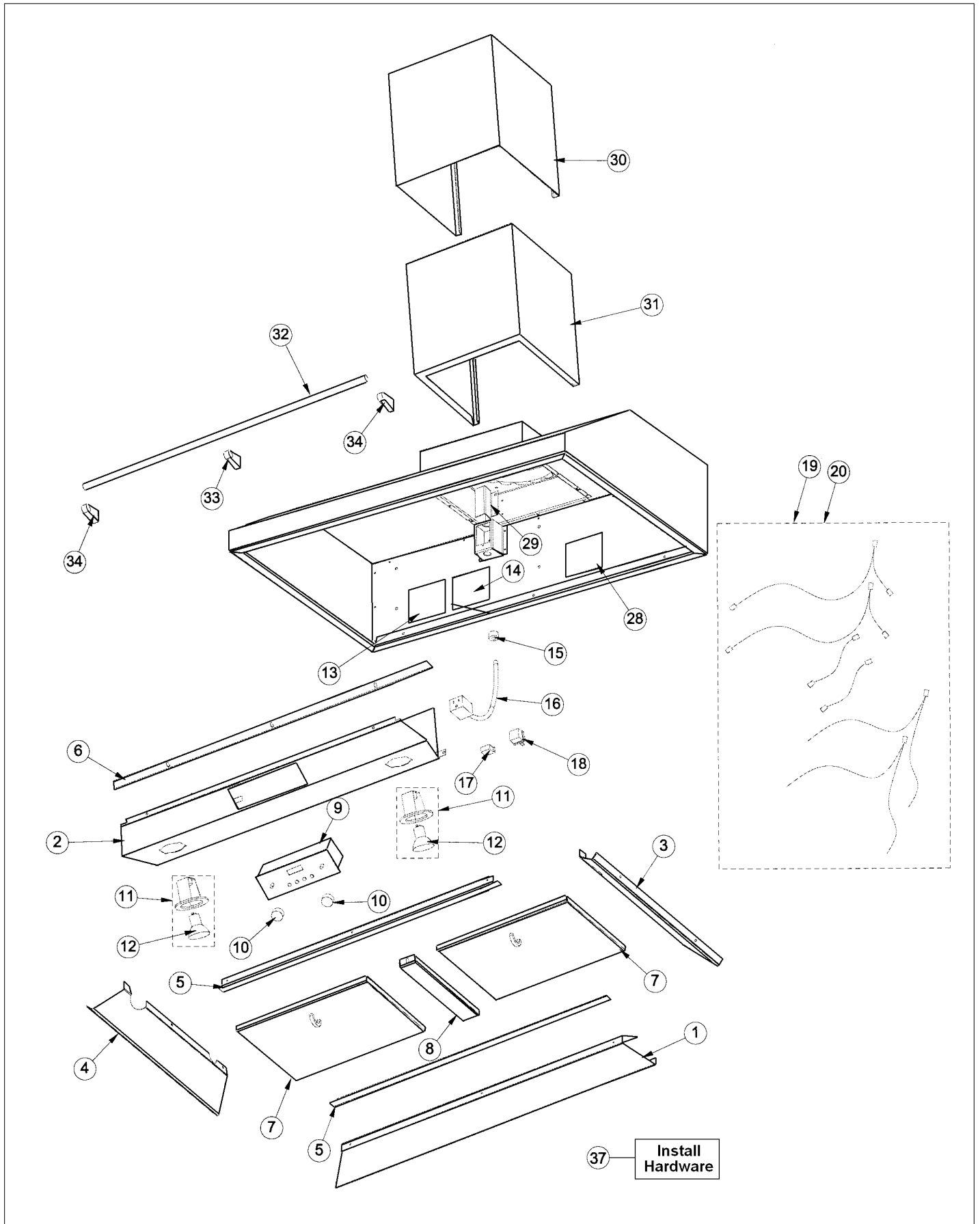




Item	Part No.	Name	Qty	Uom	NOTES
1	B2004665	36" I/S REAR PANEL	1	EA	NO LONGER AVAILABLE
2	B2007082	36" CONTROL PANEL (DTWS3649)	1	EA	NO LONGER AVAILABLE
Not Shown	B2007083	36" CONTROL PANEL (DTWS3649)*ULTRAL	1	EA	NO LONGER AVAILABLE, Not available online / Call for pricing and availability
3	B2004667	I/S SIDE PANEL RH (DTWS/L/N DSWB)	1	EA	NO LONGER AVAILABLE
Not Shown	NOTE	(BEFORE 5/12/05)		EA	
Not Shown	B2007323	I/S SIDE PANEL - RH	1	EA	NO LONGER AVAILABLE
Not Shown	NOTE	(AFTER 5/12/05)		EA	
4	B2005027	I/S SIDE PANEL LH (DTWS/L/N DSWB)	1	EA	Not available online / Call for pricing and availability
Not Shown	NOTE	(BEFORE 5/12/05)		EA	
Not Shown	B2007324	I/S SIDE PANEL - LH	1	EA	NO LONGER AVAILABLE
Not Shown	NOTE	(AFTER 5/12/05)		EA	
5	B2004673	FILTER SUPT. FRONT/REAR	1	EA	
6	B2004675	36" FRONT I/S PANEL	1	EA	NO LONGER AVAILABLE
7	G31010268	FILTER ASSEMBLY (DESIGNER) 13.848 X 10.375	1	EA	
8	002554-000	DESIGNER FILTER SPACER 1.75" X 11.402" (DTWS36/DTWN42/DTWL36/DC H36)	1	EA	
9	025084-000	SERVICE CONTROL PANEL/WIRE HARNESS ASSY	1	EA	
10	PA010089	KNOB (DESIGNER SERIES HOOD)	1	EA	
11	PE050064	LIGHT ASSEMBLY	1	EA	
12	PE050081	50 WATT HALOGEN BULB	1	EA	
13	PE020058	RATING LABEL (ADHESIVE)	1	EA	
14	PF030337	HOOD WARNING LABEL	1	EA	

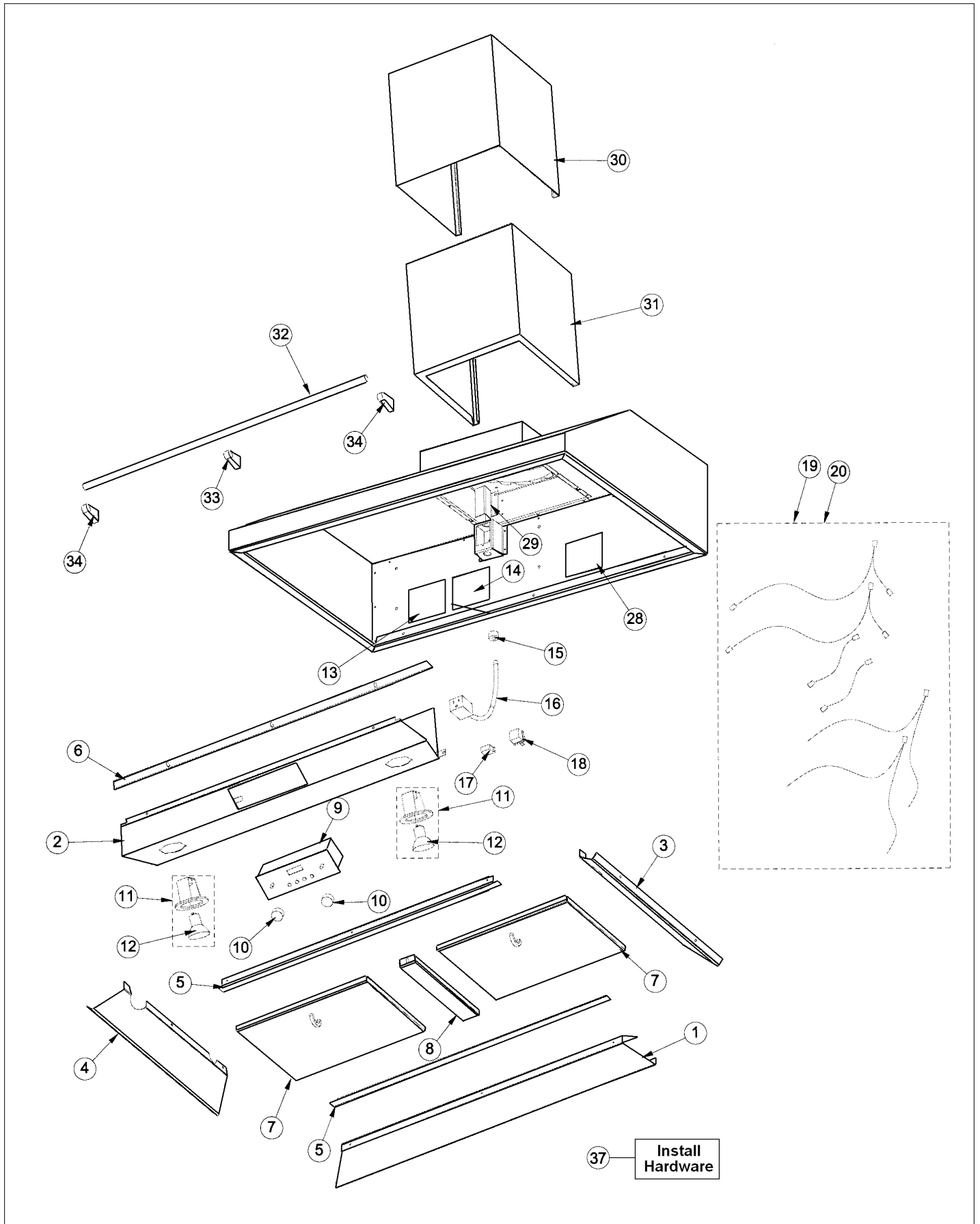


Item	Part No.	Name	Qty	Uom	NOTES
15	PE070204	HEYCO STRAIN RELIEF - 7-P2	1	EA	
16	039680-000	CORD, PWR, SUPPLY, VNT HD	1	EA	
17	PE070196	FEMALE SOCKET (2 PRONG)	1	EA	
18	PE070197	MALE SOCKET (3 PRONG)	1	EA	
19	PE070384	DWH30/36/42 WIRE HARNESS	1	EA	NO LONGER AVAILABLE
20	N/A*	N/A*	1	EA	
21	PD020010	10 X 3/8 GREEN GROUNDING SCREW	1	EA	
22	PD030010	#10-24 KEPS NUT ZINC PLATED	1	EA	
23	PD020087	10 X 1/2 PAN PH. TEK ZINC	1	EA	
24	PD020100	#8 X 7/16 PHILLIP HD KNIFE SCREW	1	EA	
25	PD030059	TINNERMAN CLIP U-TYPE FASTNER	1	EA	
26	PD020032	SRW-8(A)X3/8"PH.WFR HD 7/16DIA*NICL	1	EA	
27	PC040010	POP RIVET (.063/GR -.125) GAMD42-A	1	EA	
28	PF030468	WIRING LABEL	1	EA	Not available online / Call for pricing and availability
29	A2008139	HOOD WIRE COVER (DTWS30/36/4249)	1	EA	NO LONGER AVAILABLE
30	G9005020BK	DUCT CVR TOP (DCWH/L 3644)*BK*	1	EA	Not available online / Call for pricing and availability
Not Shown	G9005020BT	DUCT CVR TOP (DCWH/L 3644)*BT*	1	EA	NO LONGER AVAILABLE, Not available online / Call for pricing and availability
Not Shown	G9005020GG	DUCT CVR TOP (DCWH/L36/42)*GG*	1	EA	NO LONGER AVAILABLE, Not available online / Call for pricing and availability
Not Shown	G9005020SG	DUCT CVR TOP (DCWH/L 3644)*SG*	1	EA	NO LONGER AVAILABLE
Not Shown	G3105020SS	DUCT CVR TOP ASSY 12X12 DCWH/L36/42	1	EA	





Item	Part No.	Name	Qty	Uom	NOTES
Not Shown	G9005020WH	DUCT CVR TOP (DCWH/L 3644) *WH*	1	EA	
31	G9007087BK	DUCT CVR BTM (DTWS30/36/4249)*BK*	1	EA	NO LONGER AVAILABLE, Not available online / Call for pricing and availability
Not Shown	G9007087BT	DUCT CVR BTM(DTWS30/36/4249)*BT*	1	EA	NO LONGER AVAILABLE, Not available online / Call for pricing and availability
Not Shown	G9007087GG	DUCT CVR BTM (DTWS30/36/4249)*GG*	1	EA	NO LONGER AVAILABLE, Not available online / Call for pricing and availability
Not Shown	G9007087SG	DUCT CVR BTM (DTWS30/36/4249)*SG*	1	EA	NO LONGER AVAILABLE, Not available online / Call for pricing and availability
Not Shown	G3107087SS	DUCT CVR BTM ASSY (DTWS30/36/42)	1	EA	
Not Shown	G9007087WH	DUCT CVR BTM (DTWS30/36/4249)*WH*	1	EA	NO LONGER AVAILABLE, Not available online / Call for pricing and availability
32	PE030059	36" BRASS ACCESSORY RAIL	1	EA	
Not Shown	PE030058	36" ACCESSORY RAIL SS	1	EA	
33	PE030053	MIDDLE RAIL SUPPORT - BR	1	EA	
Not Shown	PE030052	SUPPORT TUBE, HOLE THROUGH	1	EA	
34	PE030055	END CAP - BR	1	EA	
Not Shown	PE030054	END CAP - SS	1	EA	
35	PE030077	BR 'S' HOOKS REPL PV100012BR	1	EA	
Not Shown	PE030076	CHROME "S" HOOKS REPL PV100012SS	1	EA	
36	PD020002	10 X 1/2 PH.TR.HD.SMS.	1	EA	
37	PD020009	10 X 1 PH. HD. PAN HD. SMS	1	EA	
Not Shown	NOTE	Installation Hardware - Qty. 6		EA	





Item	Part No.	Name	Qty	Uom	NOTES
Not Shown	PD030010	#10-24 KEPS NUT ZINC PLATED	1	EA	
Not Shown	NOTE	Installation Hardware - Qty. 4		EA	
Not Shown	PD020010	10 X 3/8 GREEN GROUNDING SCREW	1	EA	
Not Shown	NOTE	INSTALLATION HARDWARE - QTY. 1		EA	
Not Shown	PD010002	10-24 X 3/8 HEX W/HD M.S.	1	EA	
Not Shown	NOTE	Installation Hardware - Qty. 4		EA	
Not Shown	PD020002	10 X 1/2 PH.TR.HD.SMS.	1	EA	
Not Shown	NOTE	Installation Hardware - Qty. 6		EA	



Appendix A:Pages Index

RATING LABEL LOCATION	1
SHEET1	2



Appendix B:Parts Index

002554-000	2	PE030054	2
025084-000	2	PE030055	2
039680-000	2	PE030058	2
A2008139	2	PE030059	2
B2004665	2	PE030076	2
B2004667	2	PE030077	2
B2004673	2	PE050064	2
B2004675	2	PE050081	2
B2005027	2	PE070196	2
B2007082	2	PE070197	2
B2007083	2	PE070204	2
B2007323	2	PE070384	2
B2007324	2	PF030337	2
G31010268	2	PF030468	2
G3105020SS	2		
G3107087SS	2		
G9005020BK	2		
G9005020BT	2		
G9005020GG	2		
G9005020SG	2		
G9005020WH	2		
G9007087BK	2		
G9007087BT	2		
G9007087GG	2		
G9007087SG	2		
G9007087WH	2		
PA010089	2		
PC040010	2		
PD010002	2		
PD020002	2,2		
PD020009	2		
PD020010	2,2		
PD020032	2		
PD020087	2		
PD020100	2		
PD030010	2,2		
PD030059	2		
PE020058	2		
PE030052	2		
PE030053	2		