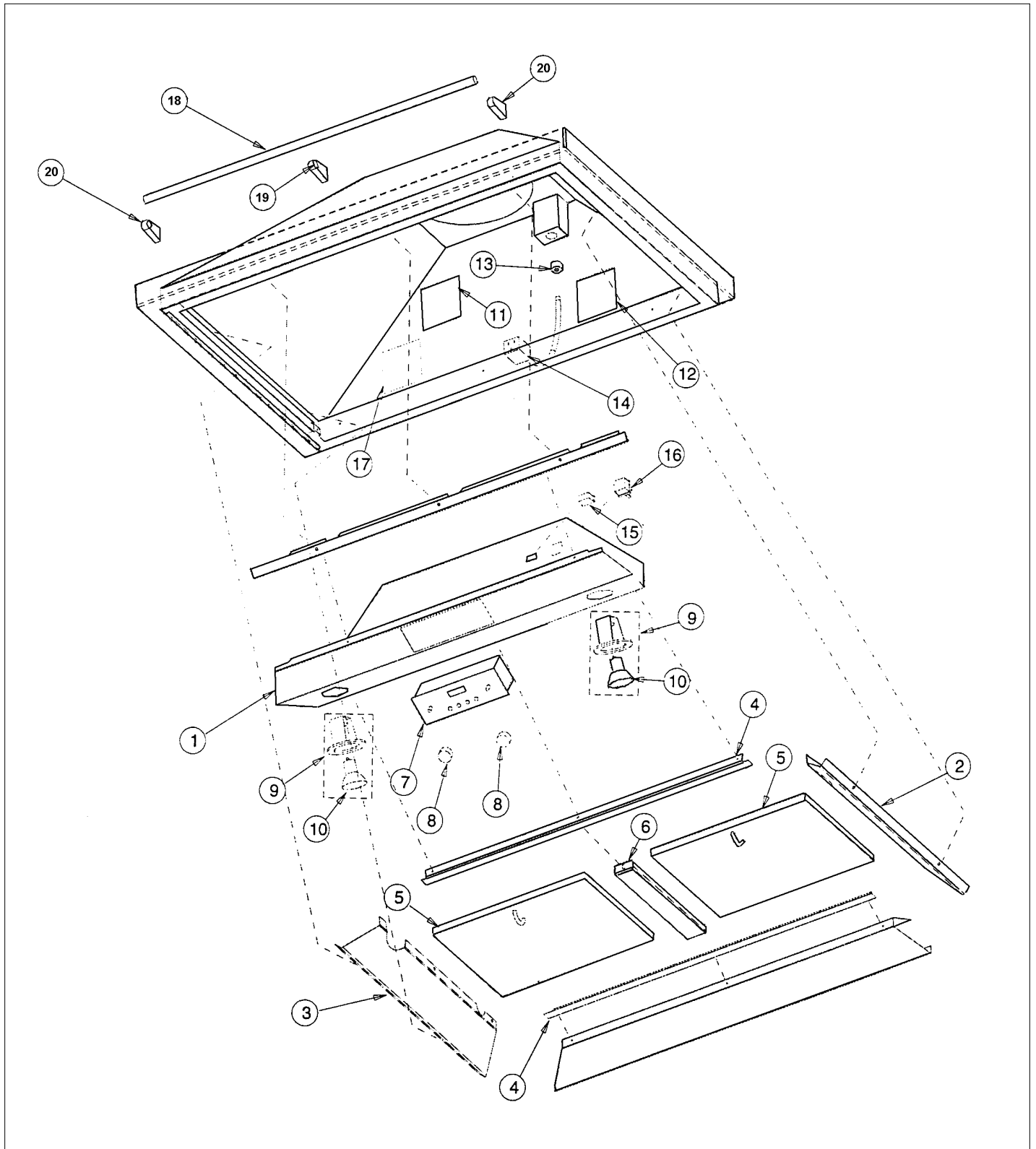


**DTWN4248**

UNIT COMPONENTS .....	1
WIRING HARNESS .....	2
Appendix A:Pages Index .....	A
Appendix B:Parts Index .....	B

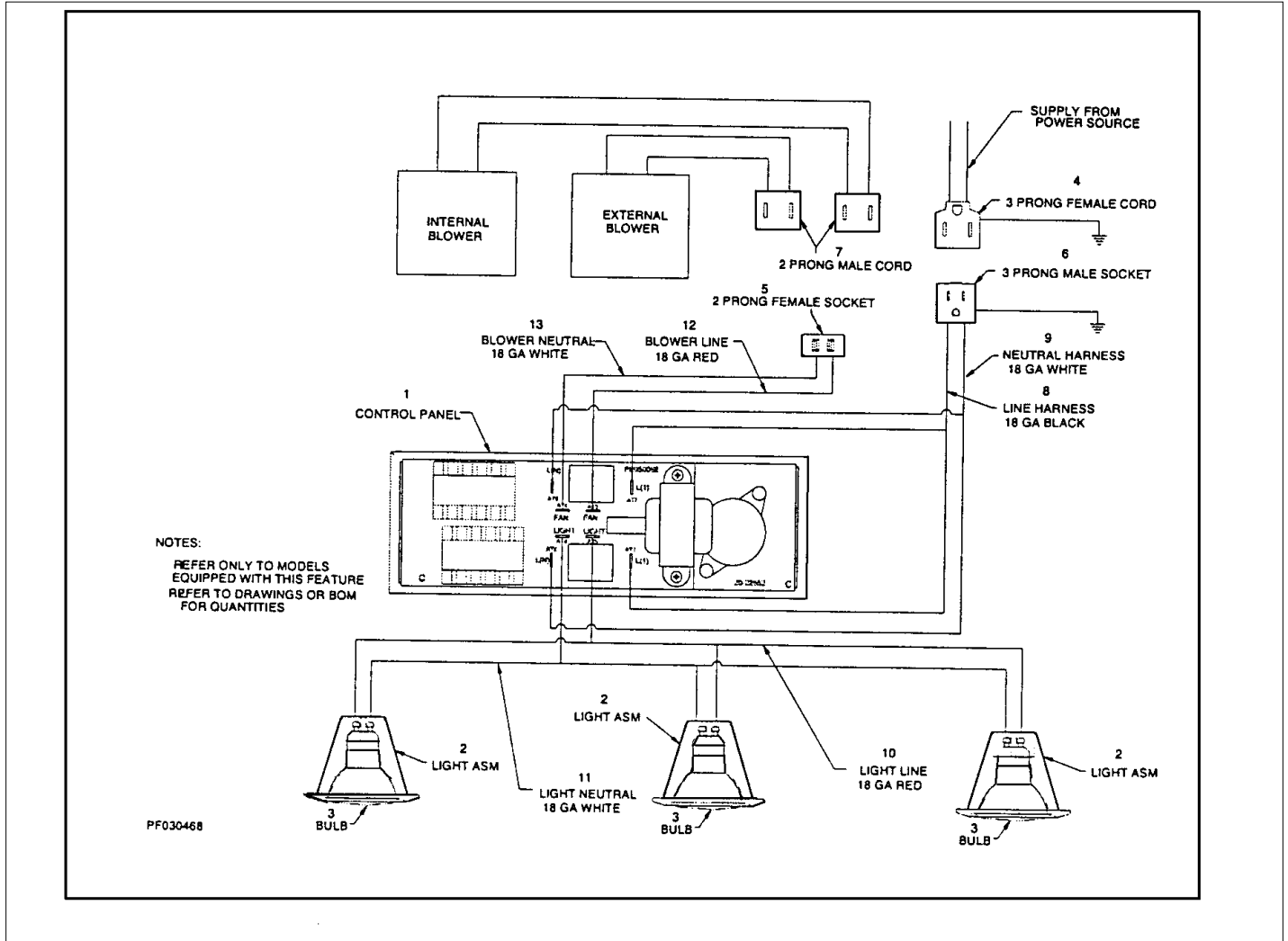


UNIT COMPONENTS



Item	Part No.	Name	Qty	Uom	NOTES
1	B2005038	42" CONTROL PANEL	1	EA	
2	B2004667	I/S SIDE PANEL RH (DTWS/L/N DSWB)	1	EA	NO LONGER AVAILABLE
3	B2005027	I/S SIDE PANEL LH (DTWS/L/N DSWB)	1	EA	Not available online / Call for pricing and availability
4	B2005039	FILTER SUPT. FRONT/REAR	1	EA	
5	G31010266	30"/42" FILTER ASSEMBLY 11.75" X 10.375"	1	EA	
6	N/A	42" FILTER SPACER	1	EA	
7	025084-000	SERVICE CONTROL PANEL/WIRE HARNESS ASSY	1	EA	
8	PA010089	KNOB (DESIGNER SERIES HOOD)	1	EA	
9	PE050064	LIGHT ASSEMBLY	1	EA	
10	PE050081	50 WATT HALOGEN BULB	1	EA	
11	PE020058	RATING LABEL (ADHESIVE)	1	EA	
12	PF030337	HOOD WARNING LABEL	1	EA	
13	PE070204	HEYCO STRAIN RELIEF - 7-P2	1	EA	
14	039680-000	CORD, PWR, SUPPLY, VNT HD	1	EA	
15	PE070196	FEMALE SOCKET (2 PRONG)	1	EA	
16	PE070197	MALE SOCKET (3 PRONG)	1	EA	
17	PF030468	WIRING LABEL	1	EA	Not available online / Call for pricing and availability
18	F0003870	42" - *BR* CUT TO SIZE FRONT/REAR R	1	EA	NO LONGER AVAILABLE
19	PE030053	MIDDLE RAIL SUPPORT - BR	1	EA	
20	PE030055	END CAP - BR	1	EA	
Not Shown	PE030054	END CAP - SS	1	EA	
NI	007390-000	FILTER SPACER (DCWN4244)	1	EA	

WIRING HARNESS





Item	Part No.	Name	Qty	Uom	NOTES
1	025084-000	SERVICE CONTROL PANEL/WIRE HARNESS ASSY	1	EA	
2	PE050064	LIGHT ASSEMBLY	1	EA	
3	PE050081	50 WATT HALOGEN BULB	1	EA	
4	039680-000	CORD, PWR, SUPPLY, VNT HD	1	EA	
5	PE070196	FEMALE SOCKET (2 PRONG)	1	EA	
6	PE070197	MALE SOCKET (3 PRONG)	1	EA	
7	PE070248	2 PRONG MALE SUPPLY CORD (DIV460)	1	EA	
8	G4005001	DCWH30/36 LINE HARNESS	1	EA	NO LONGER AVAILABLE, Not available online / Call for pricing and availability
9	G4005002	DCWH30/36 NEUTRAL HARNESS	1	EA	NO LONGER AVAILABLE, Not available online / Call for pricing and availability
10	G4005003	DCWH36 LIGHT WIRE (BK)	1	EA	NO LONGER AVAILABLE, Not available online / Call for pricing and availability
Not Shown	G4005012	48 LIGHT WIRE ASSEMBLY	1	EA	
11	G4005006	30/36/42 LIGHT NEUTRAL HARNESS	1	EA	NO LONGER AVAILABLE, Not available online / Call for pricing and availability
Not Shown	G4005013	48 LIGHT NEUTRAL HARNESS	1	EA	NO LONGER AVAILABLE, Not available online / Call for pricing and availability
12	G4005004	BLOWER WIRE (BK)	1	EA	NO LONGER AVAILABLE, Not available online / Call for pricing and availability
13	G4005007	BLOWER NEUTRAL HARNESS30/36/42 DESI	1	EA	NO LONGER AVAILABLE, Not available online / Call for pricing and availability



Appendix A:Pages Index

UNIT COMPONENTS ..... 1  
WIRING HARNESS ..... 2





Appendix B:Parts Index

007390-000 ..... 1  
025084-000 ..... 1, 2  
039680-000 ..... 1, 2  
B2004667 ..... 1  
B2005027 ..... 1  
B2005038 ..... 1  
B2005039 ..... 1  
F0003870 ..... 1  
G31010266 ..... 1  
G4005001 ..... 2  
G4005002 ..... 2  
G4005003 ..... 2  
G4005004 ..... 2  
G4005006 ..... 2  
G4005007 ..... 2  
G4005012 ..... 2  
G4005013 ..... 2  
PA010089 ..... 1  
PE020058 ..... 1  
PE030053 ..... 1  
PE030054 ..... 1  
PE030055 ..... 1  
PE050064 ..... 1, 2  
PE050081 ..... 1, 2  
PE070196 ..... 1, 2  
PE070197 ..... 1, 2  
PE070204 ..... 1  
PE070248 ..... 2  
PF030337 ..... 1  
PF030468 ..... 1