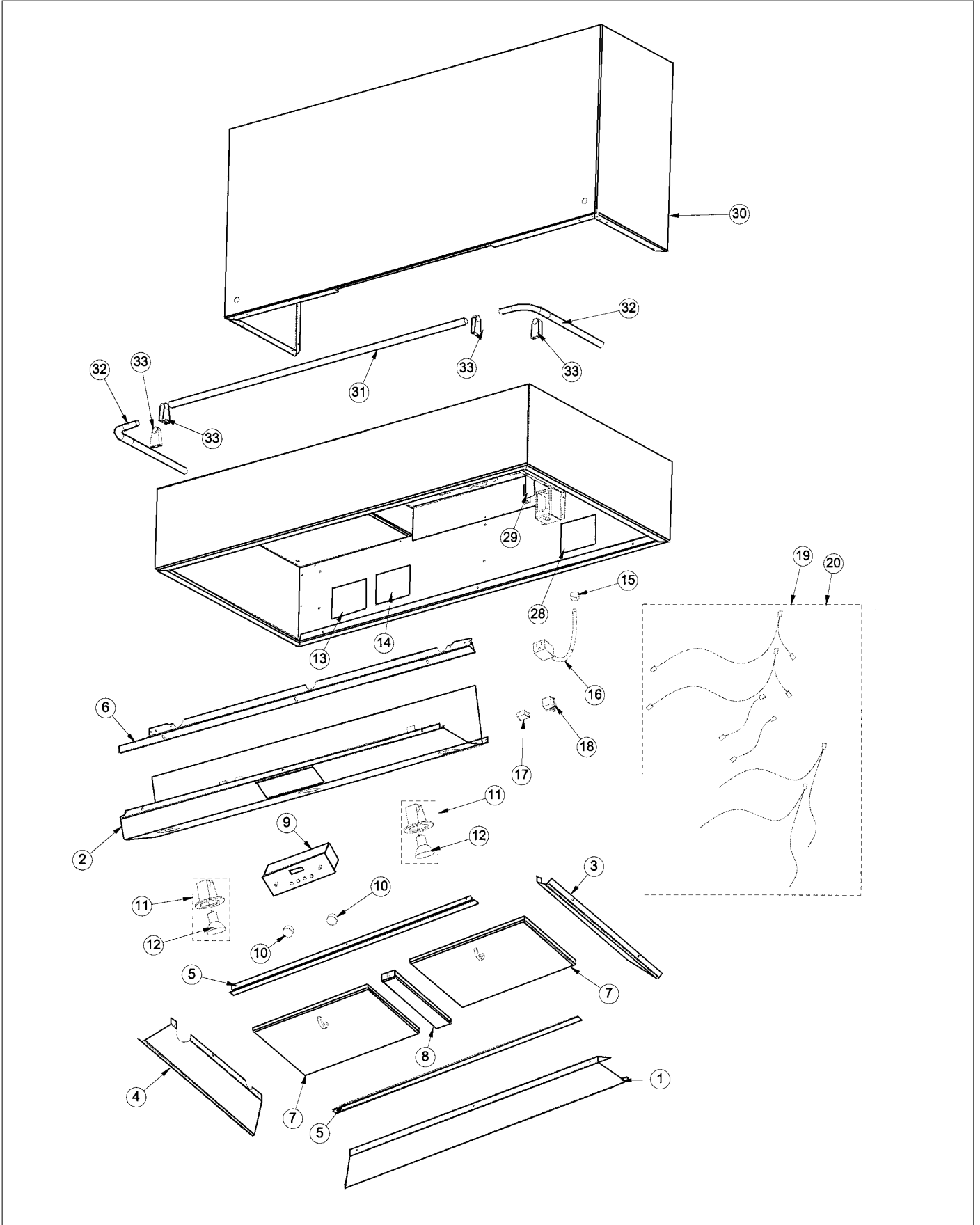


DSWB4249

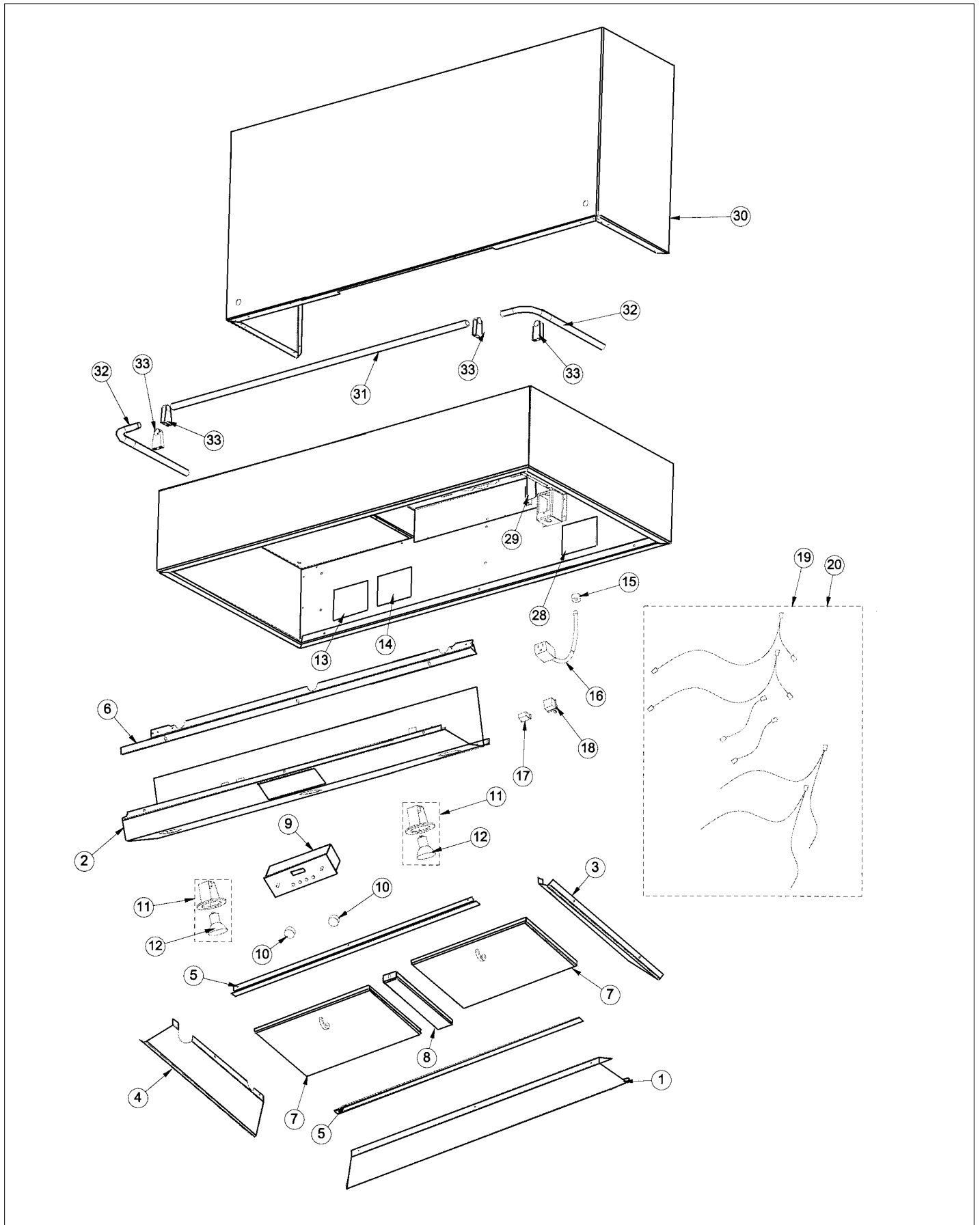
UNIT COMPONENTS	1
Appendix A:Pages Index	A
Appendix B:Parts Index	B

UNIT COMPONENTS

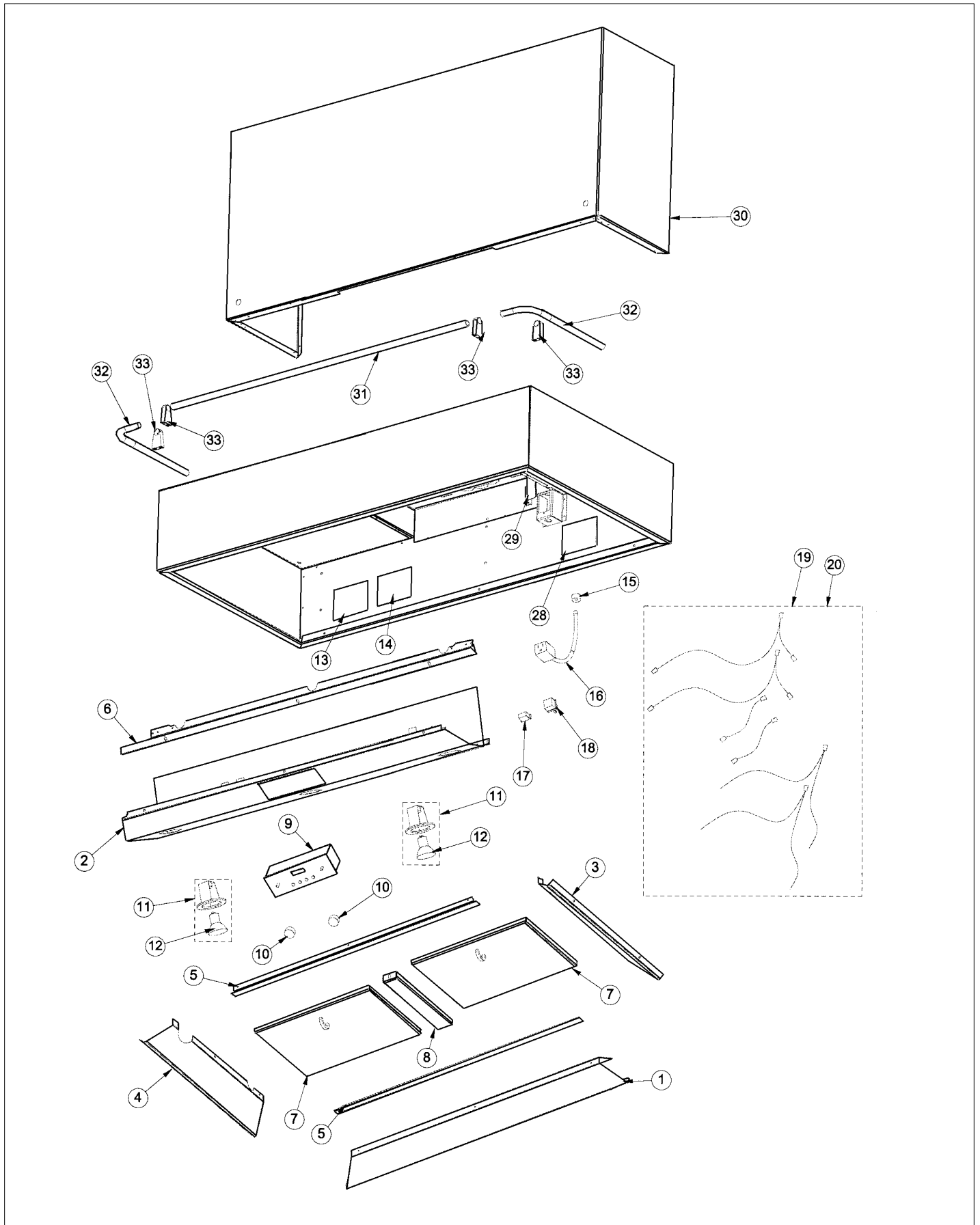




Item	Part No.	Name	Qty	Uom	NOTES
1	B2005037	42" I/S REAR PANEL	1	EA	NO LONGER AVAILABLE, Not available online / Call for pricing and availability
2	B2007055	42" CONTROL PANEL (DSWB4249)	1	EA	NO LONGER AVAILABLE, Not available online / Call for pricing and availability
Not Shown	B2007066	42" CONTROL PANEL (DSWB4849)*ULTRAL	1	EA	NO LONGER AVAILABLE, Not available online / Call for pricing and availability
3	B2004667	I/S SIDE PANEL RH (DTWS/L/N DSWB)	1	EA	NO LONGER AVAILABLE
4	B2005027	I/S SIDE PANEL LH (DTWS/L/N DSWB)	1	EA	Not available online / Call for pricing and availability
5	B2005039	FILTER SUPT. FRONT/REAR	1	EA	
6	B2005040	42" FRONT I/S PANEL	1	EA	NO LONGER AVAILABLE
7	G31010266	30"/42" FILTER ASSEMBLY 11.75" X 10.375"	1	EA	
8	N/A*	36" Filter Spacer	1	EA	
9	025084-000	SERVICE CONTROL PANEL/WIRE HARNESS ASSY	1	EA	
10	PA010089	KNOB (DESIGNER SERIES HOOD)	1	EA	
11	PE050064	LIGHT ASSEMBLY	1	EA	
12	PE050081	50 WATT HALOGEN BULB	1	EA	
13	PE020058	RATING LABEL (ADHESIVE)	1	EA	
14	PF030337	HOOD WARNING LABEL	1	EA	
15	PE070204	HEYCO STRAIN RELIEF - 7-P2	1	EA	
16	039680-000	CORD, PWR, SUPPLY, VNT HD	1	EA	
17	PE070196	FEMALE SOCKET (2 PRONG)	1	EA	
18	PE070197	MALE SOCKET (3 PRONG)	1	EA	
19	J4005005	SUB TO PE070384 - DCWH36 WIRING KIT	1	EA	NO LONGER AVAILABLE, Not available online / Call for pricing and availability

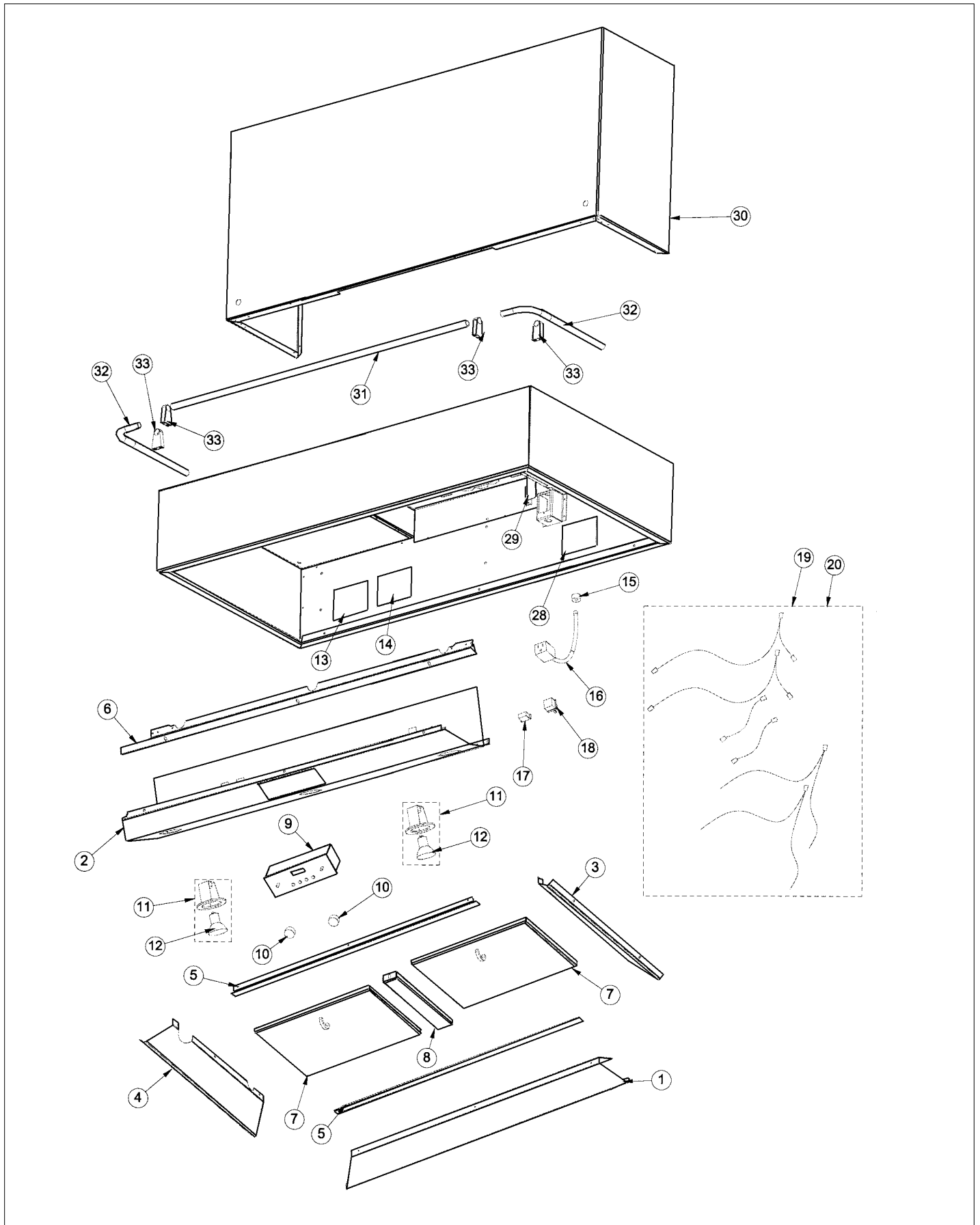


Item	Part No.	Name	Qty	Uom	NOTES
Not Shown	G4005001	DCWH30/36 LINE HARNESS	1	EA	NO LONGER AVAILABLE, Not available online / Call for pricing and availability
Not Shown	G4005002	DCWH30/36 NEUTRAL HARNESS	1	EA	NO LONGER AVAILABLE, Not available online / Call for pricing and availability
Not Shown	G4005003	DCWH36 LIGHT WIRE (BK)	1	EA	NO LONGER AVAILABLE, Not available online / Call for pricing and availability
Not Shown	G4005006	30/36/42 LIGHT NEUTRAL HARNESS	1	EA	NO LONGER AVAILABLE, Not available online / Call for pricing and availability
Not Shown	G4005004	BLOWER WIRE (BK)	1	EA	NO LONGER AVAILABLE, Not available online / Call for pricing and availability
Not Shown	G4005007	BLOWER NEUTRAL HARNESS30/36/42 DESI	1	EA	NO LONGER AVAILABLE, Not available online / Call for pricing and availability
20	N/A*	48" COMPLETE WIRING KIT	1	EA	
21	PD020010	10 X 3/8 GREEN GROUNDING SCREW	1	EA	
22	PD030010	#10-24 KEPS NUT ZINC PLATED	1	EA	
23	PD020087	10 X 1/2 PAN PH. TEK ZINC	1	EA	
24	PD020100	#8 X 7/16 PHILLIP HD KNIFE SCREW	1	EA	
25	PD030059	TINNERMAN CLIP U-TYPE FASTNER	1	EA	
26	PD020032	SRW-8(A)X3/8"PH.WFR HD 7/16DIA*NICL	1	EA	
27	PC040010	POP RIVET (.063/GR -.125) GAMD42-A	1	EA	
28	PF030468	WIRING LABEL	1	EA	Not available online / Call for pricing and availability
29	A2008139	HOOD WIRE COVER (DTWS30/36/4249)	1	EA	NO LONGER AVAILABLE





Item	Part No.	Name	Qty	Uom	NOTES
30	DCSB4208BK	42" DUCT COVER - BK (HEIGHT = 21")	1	EA	Not available online / Call for pricing and availability
Not Shown	DCSB4208BT	42" DUCT COVER - BT (HEIGHT = 21")	1	EA	Not available online / Call for pricing and availability
Not Shown	DCSB4208GG	42" DUCT COVER - GG (HEIGHT = 21")	1	EA	Not available online / Call for pricing and availability
Not Shown	DCSB4208SG	42" DUCT COVER - SG (HEIGHT = 21")	1	EA	Not available online / Call for pricing and availability
Not Shown	DCSB4208SS	42" DUCT COVER - SS (HEIGHT = 21")	1	EA	Not available online / Call for pricing and availability
Not Shown	DCSB4208WH	42" DUCT COVER - WH (HEIGHT = 21")	1	EA	Not available online / Call for pricing and availability
Not Shown	DCSB4209BK	42" DUCT COVER - BK (HEIGHT = 33")	1	EA	Not available online / Call for pricing and availability
Not Shown	DCSB4209BT	42" DUCT COVER - BT (HEIGHT = 33")	1	EA	Not available online / Call for pricing and availability
Not Shown	DCSB4209GG	42" DUCT COVER - GG (HEIGHT = 33")	1	EA	Not available online / Call for pricing and availability
Not Shown	DCSB4209SG	42" DUCT COVER - SG (HEIGHT = 33")	1	EA	Not available online / Call for pricing and availability
Not Shown	DCSB4209SS	42" DUCT COVER - SS (HEIGHT = 33")	1	EA	
Not Shown	DCSB4209WH	42" DUCT COVER - WH (HEIGHT = 33")	1	EA	Not available online / Call for pricing and availability
Not Shown	DCSB4210BK	42" DUCT COVER - BK (HEIGHT = 44")	1	EA	Not available online / Call for pricing and availability



Item	Part No.	Name	Qty	Uom	NOTES
Not Shown	DCSB4210BT	42" DUCT COVER - BT (HEIGHT = 44")	1	EA	Not available online / Call for pricing and availability
Not Shown	DCSB4210GG	42" DUCT COVER - GG (HEIGHT = 44")	1	EA	Not available online / Call for pricing and availability
Not Shown	DCSB4210SG	42" DUCT COVER - SG (HEIGHT = 44")	1	EA	Not available online / Call for pricing and availability
Not Shown	DCSB4210SS	42" DUCT COVER - SS (HEIGHT = 44")	1	EA	Not available online / Call for pricing and availability
Not Shown	DCSB4210WH	42" DUCT COVER - WH (HEIGHT = 44")	1	EA	Not available online / Call for pricing and availability
31	F0003870	42" - *BR* CUT TO SIZE FRONT/REAR R	1	EA	NO LONGER AVAILABLE
Not Shown	F0003874	42" SS ACCESSORY RAIL	1	EA	Not available online / Call for pricing and availability
32	F3008136	SIDE RAIL *BR* (DSWB)	1	EA	
Not Shown	F3008137	SIDE RAIL *CR* (DSWB)	1	EA	
33	PE030053	MIDDLE RAIL SUPPORT - BR	1	EA	
Not Shown	PE030052	SUPPORT TUBE, HOLE THROUGH	1	EA	
34	PD020002	10 X 1/2 PH.TR.HD.SMS.	1	EA	



Appendix A:Pages Index

UNIT COMPONENTS 1



Appendix B:Parts Index

025084-000	1	PA010089	1
039680-000	1	PC040010	1
A2008139	1	PD020002	1
B2004667	1	PD020010	1
B2005027	1	PD020032	1
B2005037	1	PD020087	1
B2005039	1	PD020100	1
B2005040	1	PD030010	1
B2007055	1	PD030059	1
B2007066	1	PE020058	1
DCSB4208BK	1	PE030052	1
DCSB4208BT	1	PE030053	1
DCSB4208GG	1	PE050064	1
DCSB4208SG	1	PE050081	1
DCSB4208SS	1	PE070196	1
DCSB4208WH	1	PE070197	1
DCSB4209BK	1	PE070204	1
DCSB4209BT	1	PF030337	1
DCSB4209GG	1	PF030468	1
DCSB4209SG	1		
DCSB4209SS	1		
DCSB4209WH	1		
DCSB4210BK	1		
DCSB4210BT	1		
DCSB4210GG	1		
DCSB4210SG	1		
DCSB4210SS	1		
DCSB4210WH	1		
F0003870	1		
F0003874	1		
F3008136	1		
F3008137	1		
G31010266	1		
G4005001	1		
G4005002	1		
G4005003	1		
G4005004	1		
G4005006	1		
G4005007	1		
J4005005	1		