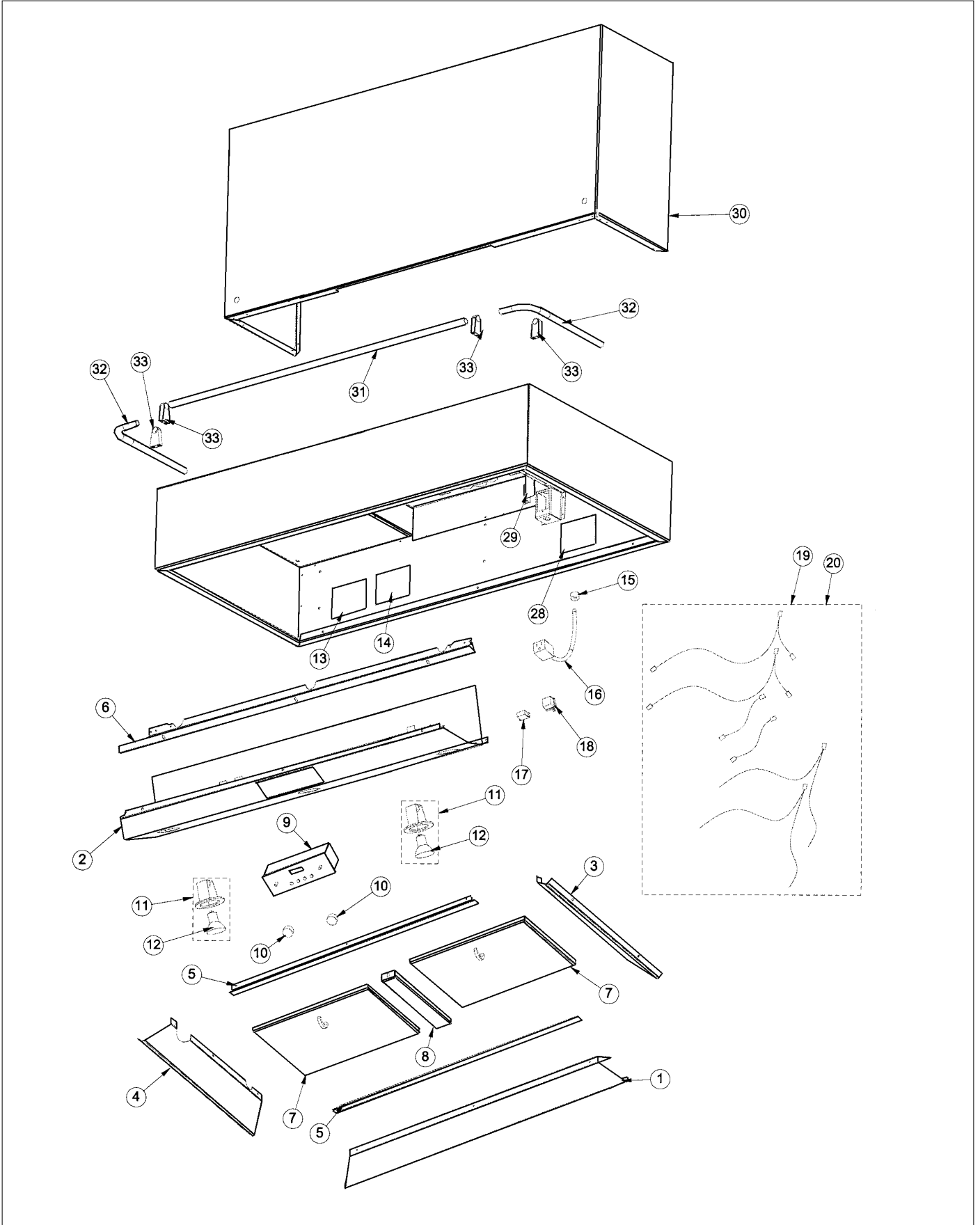


DSWB3649

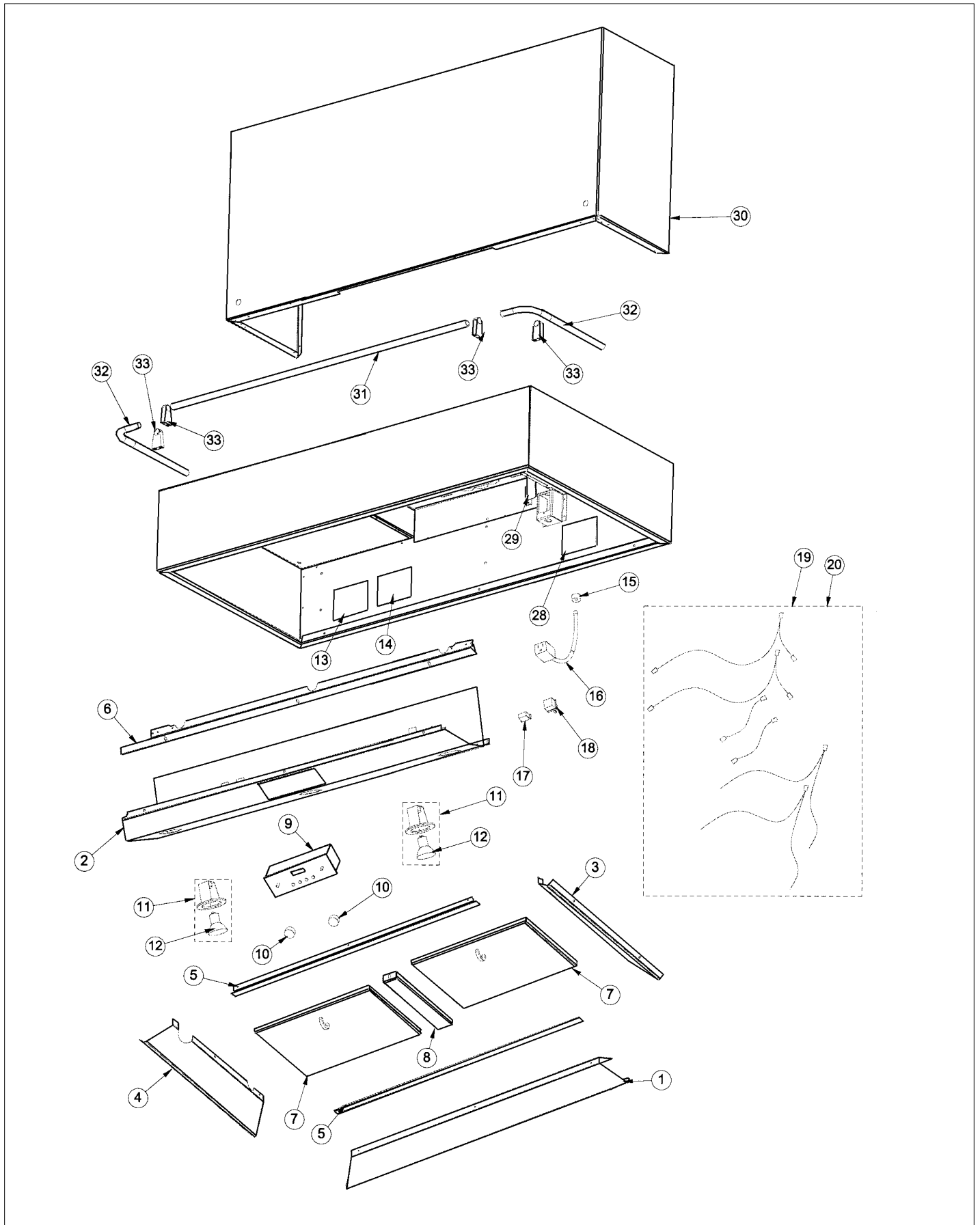
UNIT COMPONENTS	1
Appendix A:Pages Index	A
Appendix B:Parts Index	B

UNIT COMPONENTS

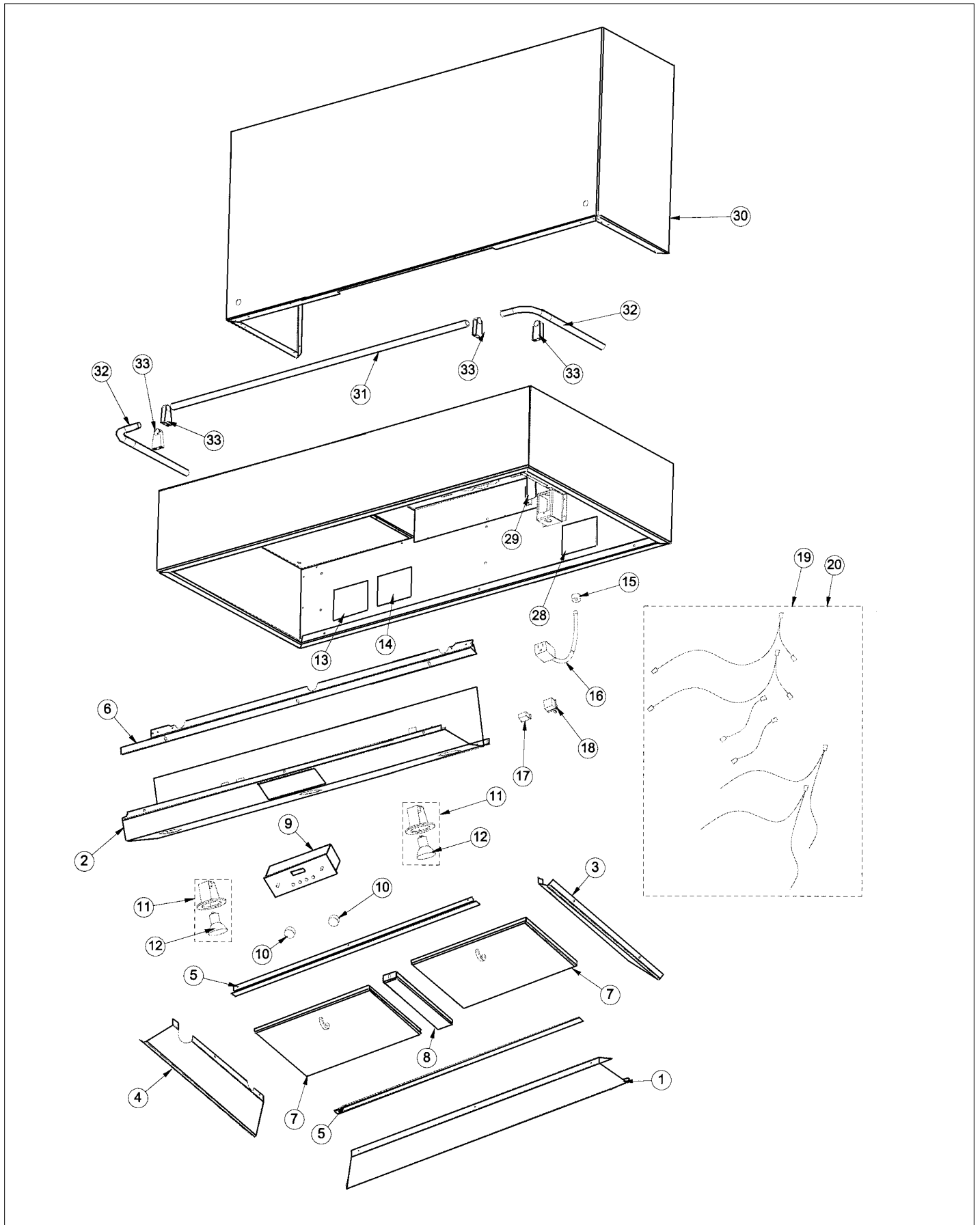




Item	Part No.	Name	Qty	Uom	NOTES
1	B2004665	36" I/S REAR PANEL	1	EA	NO LONGER AVAILABLE
2	B2007049	36" CONTROL PANEL (DSWB3649)	1	EA	NO LONGER AVAILABLE, Not available online / Call for pricing and availability
Not Shown	B2007065	36" CONTROL PANEL (DSWB4849)*ULTRAL	1	EA	NO LONGER AVAILABLE, Not available online / Call for pricing and availability
3	B2004667	I/S SIDE PANEL RH (DTWS/L/N DSWB)	1	EA	NO LONGER AVAILABLE
4	B2005027	I/S SIDE PANEL LH (DTWS/L/N DSWB)	1	EA	Not available online / Call for pricing and availability
5	B2004673	FILTER SUPT. FRONT/REAR	1	EA	
6	B2004675	36" FRONT I/S PANEL	1	EA	NO LONGER AVAILABLE
7	G31010268	FILTER ASSEMBLY (DESIGNER) 13.848 X 10.375	1	EA	
8	B2005018	DCWH36 FILTER SPACER 1.75" X 10.784"	1	EA	
9	025084-000	SERVICE CONTROL PANEL/WIRE HARNESS ASSY	1	EA	
10	PA010089	KNOB (DESIGNER SERIES HOOD)	1	EA	
11	PE050064	LIGHT ASSEMBLY	1	EA	
12	PE050081	50 WATT HALOGEN BULB	1	EA	
13	PE020058	RATING LABEL (ADHESIVE)	1	EA	
14	PF030337	HOOD WARNING LABEL	1	EA	
15	PE070204	HEYCO STRAIN RELIEF - 7-P2	1	EA	
16	039680-000	CORD, PWR, SUPPLY, VNT HD	1	EA	
17	PE070196	FEMALE SOCKET (2 PRONG)	1	EA	
18	PE070197	MALE SOCKET (3 PRONG)	1	EA	
19	J4005005	SUB TO PE070384 - DCWH36 WIRING KIT	1	EA	NO LONGER AVAILABLE, Not available online / Call for pricing and availability

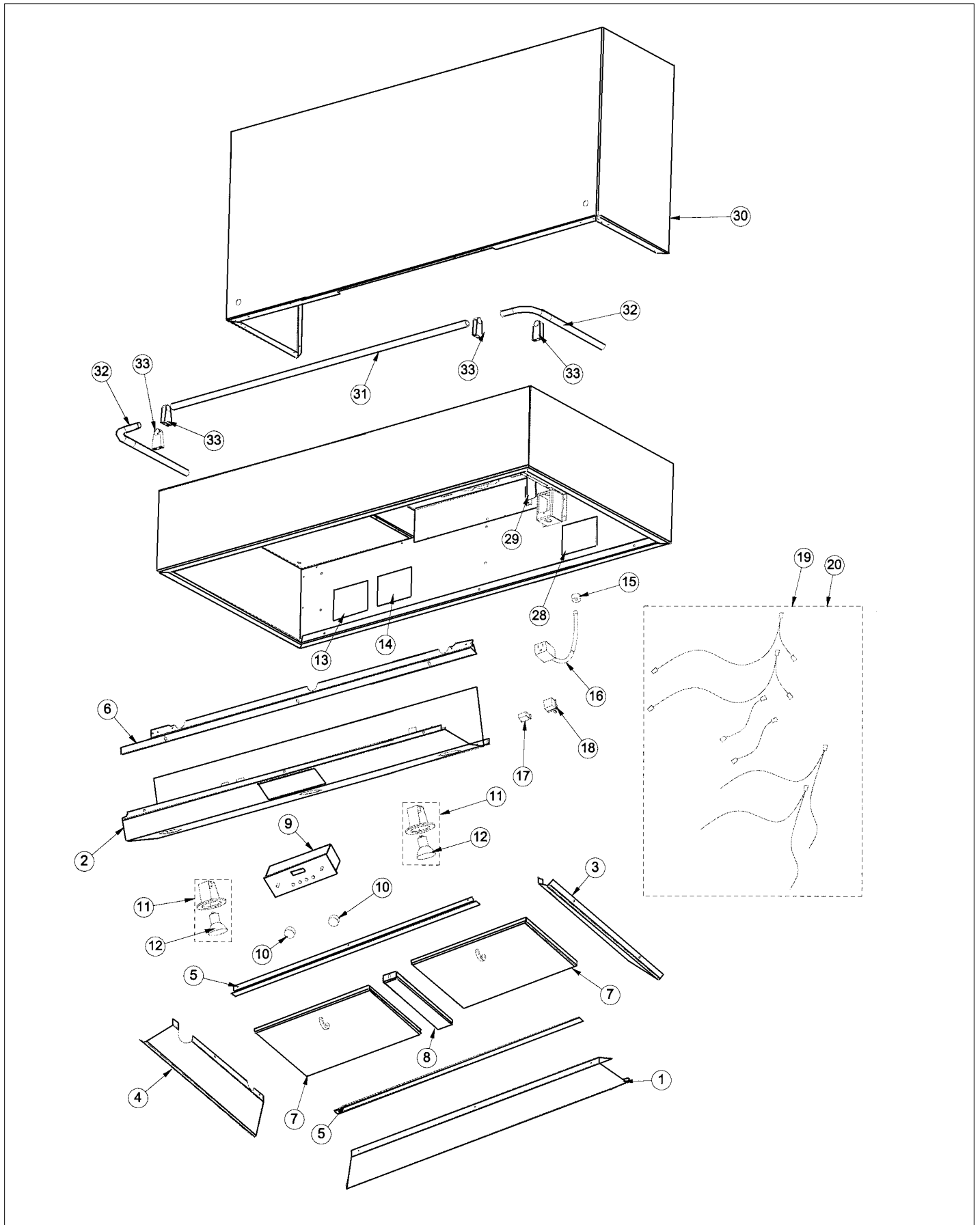


Item	Part No.	Name	Qty	Uom	NOTES
Not Shown	G4005001	DCWH30/36 LINE HARNESS	1	EA	NO LONGER AVAILABLE, Not available online / Call for pricing and availability
Not Shown	G4005002	DCWH30/36 NEUTRAL HARNESS	1	EA	NO LONGER AVAILABLE, Not available online / Call for pricing and availability
Not Shown	G4005003	DCWH36 LIGHT WIRE (BK)	1	EA	NO LONGER AVAILABLE, Not available online / Call for pricing and availability
Not Shown	G4005006	30/36/42 LIGHT NEUTRAL HARNESS	1	EA	NO LONGER AVAILABLE, Not available online / Call for pricing and availability
Not Shown	G4005004	BLOWER WIRE (BK)	1	EA	NO LONGER AVAILABLE, Not available online / Call for pricing and availability
Not Shown	G4005007	BLOWER NEUTRAL HARNESS30/36/42 DESI	1	EA	NO LONGER AVAILABLE, Not available online / Call for pricing and availability
20	N/A*	48" COMPLETE WIRING KIT	1	EA	
21	PD020010	10 X 3/8 GREEN GROUNDING SCREW	1	EA	
22	PD030010	#10-24 KEPS NUT ZINC PLATED	1	EA	
23	PD020087	10 X 1/2 PAN PH. TEK ZINC	1	EA	
24	PD020100	#8 X 7/16 PHILLIP HD KNIFE SCREW	1	EA	
25	PD030059	TINNERMAN CLIP U-TYPE FASTNER	1	EA	
26	PD020032	SRW-8(A)X3/8"PH.WFR HD 7/16DIA*NICL	1	EA	
27	PC040010	POP RIVET (.063/GR -.125) GAMD42-A	1	EA	
28	PF030468	WIRING LABEL	1	EA	Not available online / Call for pricing and availability
29	A2008139	HOOD WIRE COVER (DTWS30/36/4249)	1	EA	NO LONGER AVAILABLE





Item	Part No.	Name	Qty	Uom	NOTES
30	DCSB3608BK	36" DUCT COVER - BK (HEIGHT = 21")	1	EA	Not available online / Call for pricing and availability
Not Shown	DCSB3608BT	36" DUCT COVER - BT (HEIGHT = 21")	1	EA	Not available online / Call for pricing and availability
Not Shown	DCSB3608GG	36" DUCT COVER - GG (HEIGHT = 21")	1	EA	Not available online / Call for pricing and availability
Not Shown	DCSB3608SG	36" DUCT COVER - SG (HEIGHT = 21")	1	EA	Not available online / Call for pricing and availability
Not Shown	DCSB3608SS	36" DUCT COVER - SS (HEIGHT = 21")	1	EA	
Not Shown	DCSB3608WH	36" DUCT COVER - WH (HEIGHT = 21")	1	EA	Not available online / Call for pricing and availability
Not Shown	DCSB3609BK	36" DUCT COVER - BK (HEIGHT = 33")	1	EA	Not available online / Call for pricing and availability
Not Shown	DCSB3609BT	36" DUCT COVER - BT (HEIGHT = 33")	1	EA	Not available online / Call for pricing and availability
Not Shown	DCSB3609GG	36" DUCT COVER - GG (HEIGHT = 33")	1	EA	Not available online / Call for pricing and availability
Not Shown	DCSB3609SG	36" DUCT COVER - SG (HEIGHT = 33")	1	EA	Not available online / Call for pricing and availability
Not Shown	DCSB3609SS	36" DUCT COVER - SS (HEIGHT = 33")	1	EA	Not available online / Call for pricing and availability
Not Shown	DCSB3609WH	36" DUCT COVER - WH (HEIGHT = 33")	1	EA	Not available online / Call for pricing and availability
Not Shown	DCSB3610BK	36" DUCT COVER - BK (HEIGHT = 44")	1	EA	Not available online / Call for pricing and availability





Item	Part No.	Name	Qty	Uom	NOTES
Not Shown	DCSB3610BT	36" DUCT COVER - BT (HEIGHT = 44")	1	EA	Not available online / Call for pricing and availability
Not Shown	DCSB3610GG	36" DUCT COVER - GG (HEIGHT = 44")	1	EA	Not available online / Call for pricing and availability
Not Shown	DCSB3610SG	36" DUCT COVER - SG (HEIGHT = 44")	1	EA	Not available online / Call for pricing and availability
Not Shown	DCSB3610SS	36" DUCT COVER - SS (HEIGHT = 44")	1	EA	Not available online / Call for pricing and availability
Not Shown	DCSB3610WH	36" DUCT COVER - WH (HEIGHT = 44")	1	EA	Not available online / Call for pricing and availability
31	PE030059	36" BRASS ACCESSORY RAIL	1	EA	
Not Shown	PE030058	36" ACCESSORY RAIL SS	1	EA	
32	F3008136	SIDE RAIL *BR* (DSWB)	1	EA	
Not Shown	F3008137	SIDE RAIL *CR* (DSWB)	1	EA	
33	PE030053	MIDDLE RAIL SUPPORT - BR	1	EA	
Not Shown	PE030052	SUPPORT TUBE, HOLE THROUGH	1	EA	
34	PD020002	10 X 1/2 PH.TR.HD.SMS.	1	EA	



Appendix A:Pages Index

UNIT COMPONENTS 1



Appendix B:Parts Index

025084-000	1	PC040010	1
039680-000	1	PD020002	1
A2008139	1	PD020010	1
B2004665	1	PD020032	1
B2004667	1	PD020087	1
B2004673	1	PD020100	1
B2004675	1	PD030010	1
B2005018	1	PD030059	1
B2005027	1	PE020058	1
B2007049	1	PE030052	1
B2007065	1	PE030053	1
DCSB3608BK	1	PE030058	1
DCSB3608BT	1	PE030059	1
DCSB3608GG	1	PE050064	1
DCSB3608SG	1	PE050081	1
DCSB3608SS	1	PE070196	1
DCSB3608WH	1	PE070197	1
DCSB3609BK	1	PE070204	1
DCSB3609BT	1	PF030337	1
DCSB3609GG	1	PF030468	1
DCSB3609SG	1		
DCSB3609SS	1		
DCSB3609WH	1		
DCSB3610BK	1		
DCSB3610BT	1		
DCSB3610GG	1		
DCSB3610SG	1		
DCSB3610SS	1		
DCSB3610WH	1		
F3008136	1		
F3008137	1		
G31010268	1		
G4005001	1		
G4005002	1		
G4005003	1		
G4005004	1		
G4005006	1		
G4005007	1		
J4005005	1		
PA010089	1		