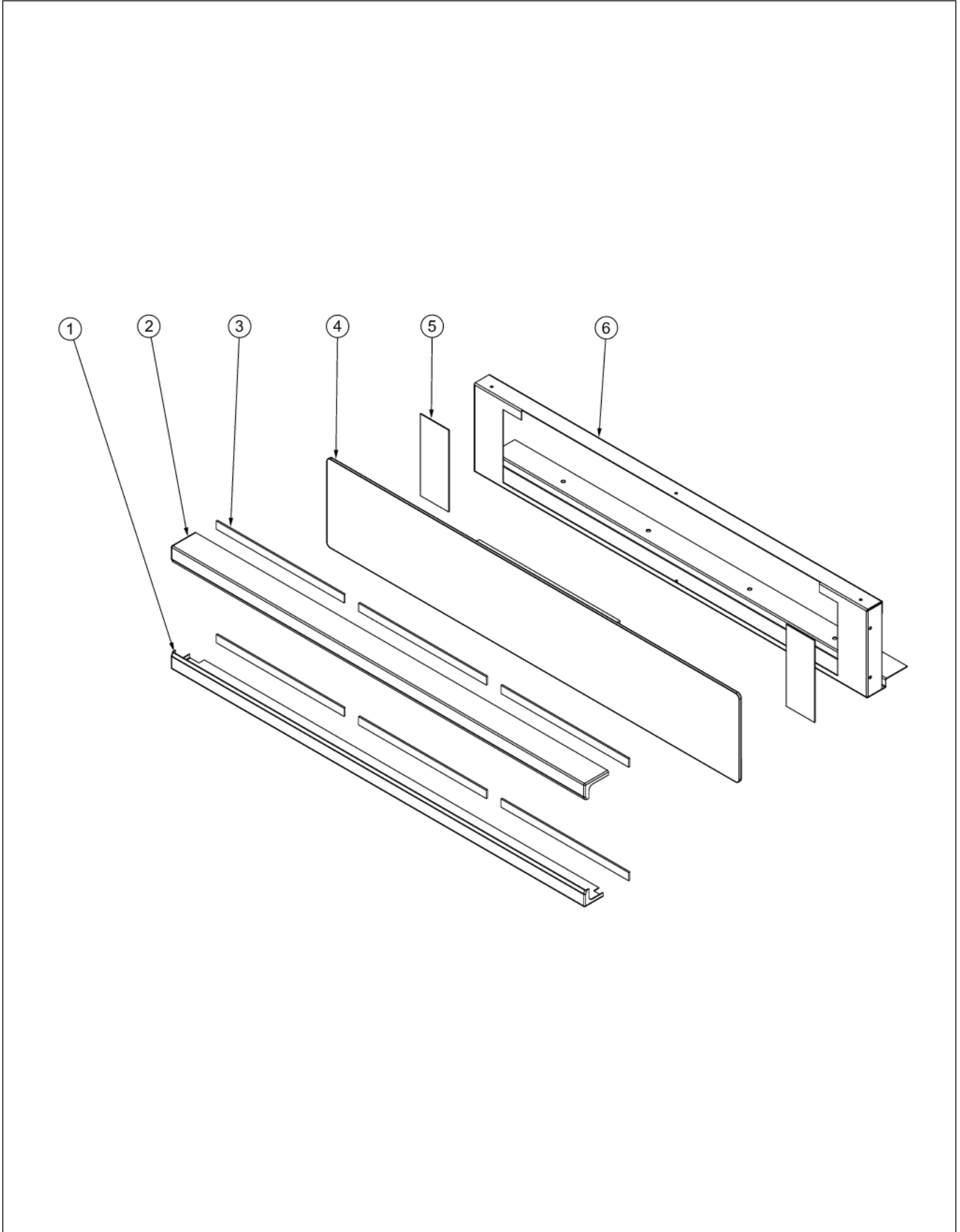


**DSOE305T**

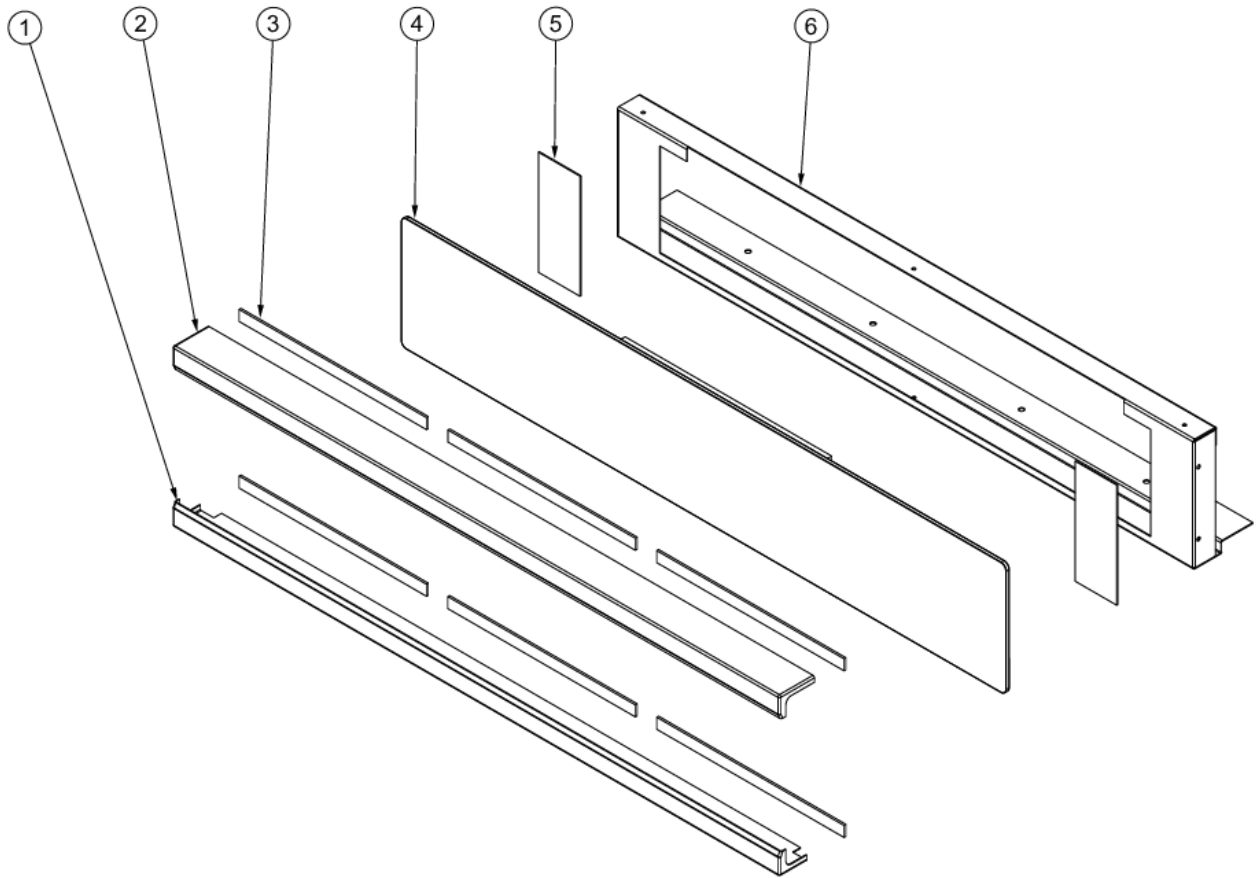
CONTROL AREA .....	1
DOOR ASSEMBLY .....	2
LOWER EXTERIOR AREA .....	3
OVEN CAVITY .....	4
REAR UNIT AREA .....	5
UPPER EXTERIOR AREA .....	6
WIRING .....	7
Appendix A:Pages Index .....	A
Appendix B:Parts Index .....	B



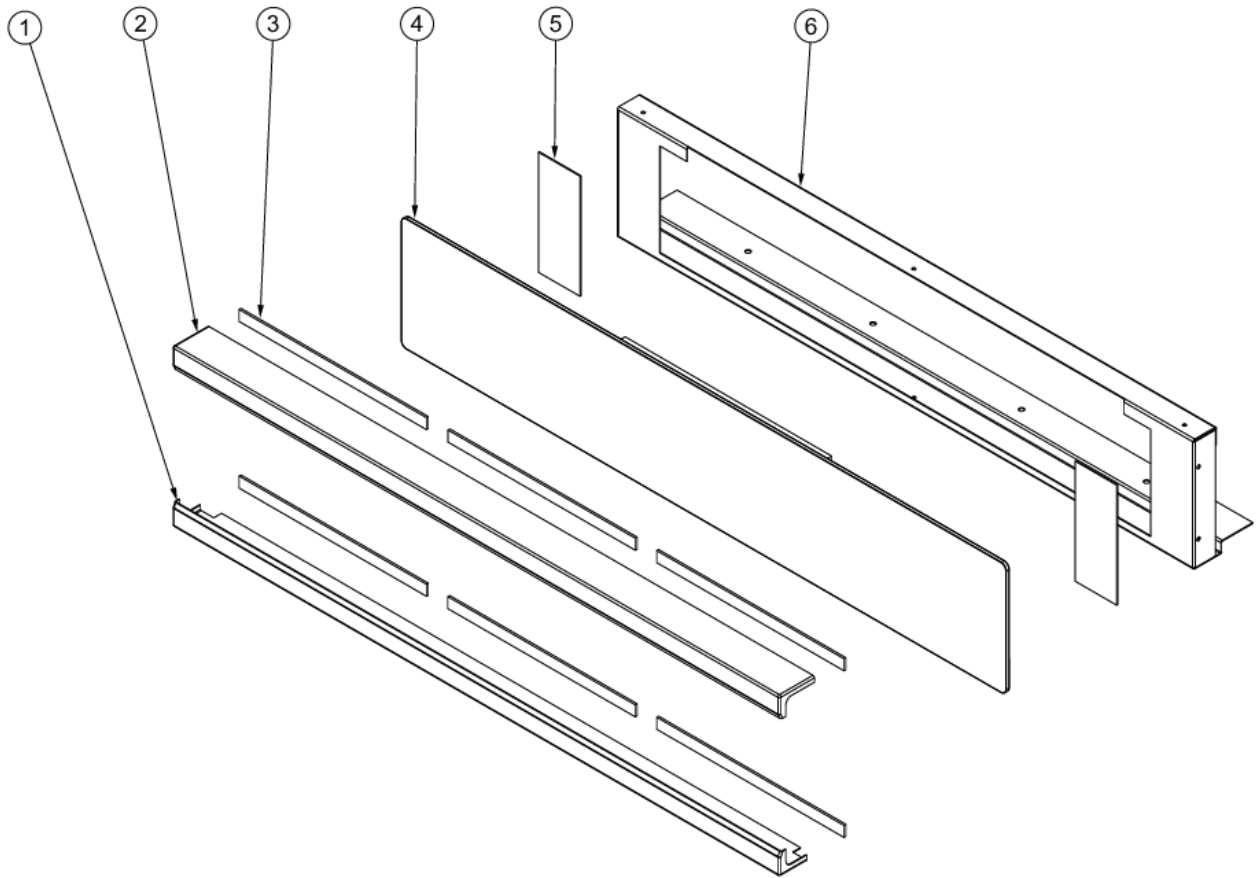
CONTROL AREA



Item	Part No.	Name	Qty	Uom	NOTES
1	014542-000	TRIM, CTRL, LOWER, SS, NOT FIELD REPLACEABLE	1	EA	MUST ALSO ORDER 023199-000 FOR INSTALLATION
NI	015085-002	TRIM, CTRL, LOWER, BK, NOT FIELD REPLACEABLE	1	EA	
NI	015085-003	TRIM, CTRL, LOWER, BT, NOT FIELD REPLACEABLE	1	EA	
NI	015085-004	TRIM, CTRL, LOWER, SG, NOT FIELD REPLACEABLE	1	EA	
NI	015085-005	TRIM, CTRL, LOWER, GG, NOT FIELD REPLACEABLE	1	EA	
NI	015085-006	TRIM, CTRL, LOWER, WH, NOT FIELD REPLACEABLE	1	EA	
NI	015085-008	TRIM, CTRL, LOWER, BU, NOT FIELD REPLACEABLE	1	EA	
NI	015085-009	TRIM, CTRL, LOWER, LE, NOT FIELD REPLACEABLE	1	EA	
NI	015085-010	TRIM, CTRL, LOWER, MJ, NOT FIELD REPLACEABLE	1	EA	
NI	015085-012	TRIM, CTRL, LOWER, VB, NOT FIELD REPLACEABLE	1	EA	
NI	015085-013	TRIM, CTRL, LOWER, CB, NOT FIELD REPLACEABLE	1	EA	
NI	015085-015	TRIM, CTRL, LOWER, PL, NOT FIELD REPLACEABLE	1	EA	
NI	015085-016	TRIM, CTRL, LOWER, CH, NOT FIELD REPLACEABLE	1	EA	
NI	015085-017	TRIM, CTRL, LOWER, TP, NOT FIELD REPLACEABLE	1	EA	
NI	015085-018	TRIM, CTRL, LOWER, CW NLA	1	EA	
NI	015085-019	TRIM, CTRL, LOWER, OG, NOT FIELD REPLACEABLE	1	EA	
NI	015085-020	TRIM, CTRL, LOWER, GM, NOT FIELD REPLACEABLE	1	EA	
NI	015085-021	TRIM, CTRL, LOWER, SA, NOT FIELD REPLACEABLE	1	EA	
NI	015085-022	TRIM, CTRL, LOWER, SE, NOT FIELD REPLACEABLE	1	EA	
NI	015085-023	TRIM, CTRL, LOWER, IB, NOT FIELD REPLACEABLE	1	EA	
NI	015085-024	TRIM, CTRL, LOWER, AR, NOT FIELD REPLACEABLE	1	EA	



Item	Part No.	Name	Qty	Uom	NOTES
NI	015085-025	TRIM, CTRL, LOWER, RR, NOT FIELD REPLACEABLE	1	EA	
NI	015085-026	TRIM, CTRL, LOWER, PM, NOT FIELD REPLACEABLE	1	EA	
NI	015085-027	TRIM, CTRL, LOWER, MS, NOT FIELD REPLACEABLE	1	EA	
2	011667-000	TRIM, CTRL, UPPER, SS, NOT FIELD REPLACEABLE	1	EA	
NI	015086-002	TRIM, CTRL, UPPER, BK, NOT FIELD REPLACEABLE	1	EA	
NI	015086-003	TRIM, CTRL, UPPER, BT, NOT FIELD REPLACEABLE	1	EA	
NI	015086-004	TRIM, CTRL, UPPER, SG, NOT FIELD REPLACEABLE	1	EA	
NI	015086-005	TRIM, CTRL, UPPER, GG, NOT FIELD REPLACEABLE	1	EA	
NI	015086-006	TRIM, CTRL, UPPER, WH, NOT FIELD REPLACEABLE	1	EA	
NI	015086-008	TRIM, CTRL, UPPER, BU, NOT FIELD REPLACEABLE	1	EA	
NI	015086-009	TRIM, CTRL, UPPER, LE, NOT FIELD REPLACEABLE	1	EA	
NI	015086-010	TRIM, CTRL, UPPER, MJ, NOT FIELD REPLACEABLE	1	EA	
NI	015086-012	TRIM, CTRL, UPPER, VB, NOT FIELD REPLACEABLE	1	EA	
NI	015086-013	TRIM, CTRL, UPPER, CB, NOT FIELD REPLACEABLE	1	EA	
NI	015086-015	TRIM, CTRL, UPPER, PL, NOT FIELD REPLACEABLE	1	EA	
NI	015086-016	TRIM, CTRL, UPPER, CH, NOT FIELD REPLACEABLE	1	EA	
NI	015086-017	TRIM, CTRL, UPPER, TP, NOT FIELD REPLACEABLE	1	EA	
NI	015086-018	TRIM, CTRL, UPPER, CW NLA	1	EA	
NI	015086-019	TRIM, CTRL, UPPER, OG, NOT FIELD REPLACEABLE	1	EA	
NI	015086-020	TRIM, CTRL, UPPER, GM, NOT FIELD REPLACEABLE	1	EA	
NI	015086-021	TRIM, CTRL, UPPER, SA, NOT FIELD REPLACEABLE	1	EA	
NI	015086-022	TRIM, CTRL, UPPER, SE, NOT FIELD REPLACEABLE	1	EA	

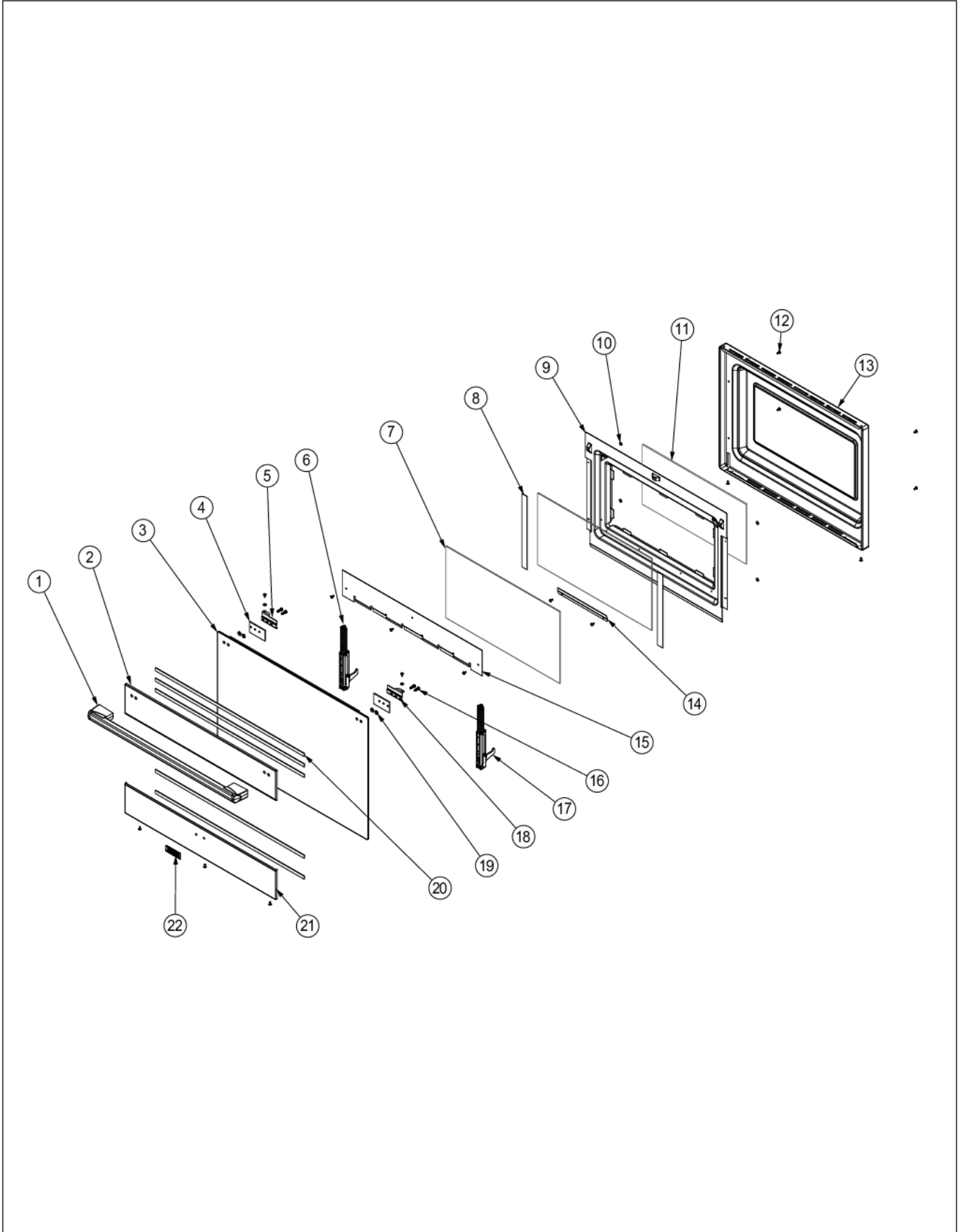






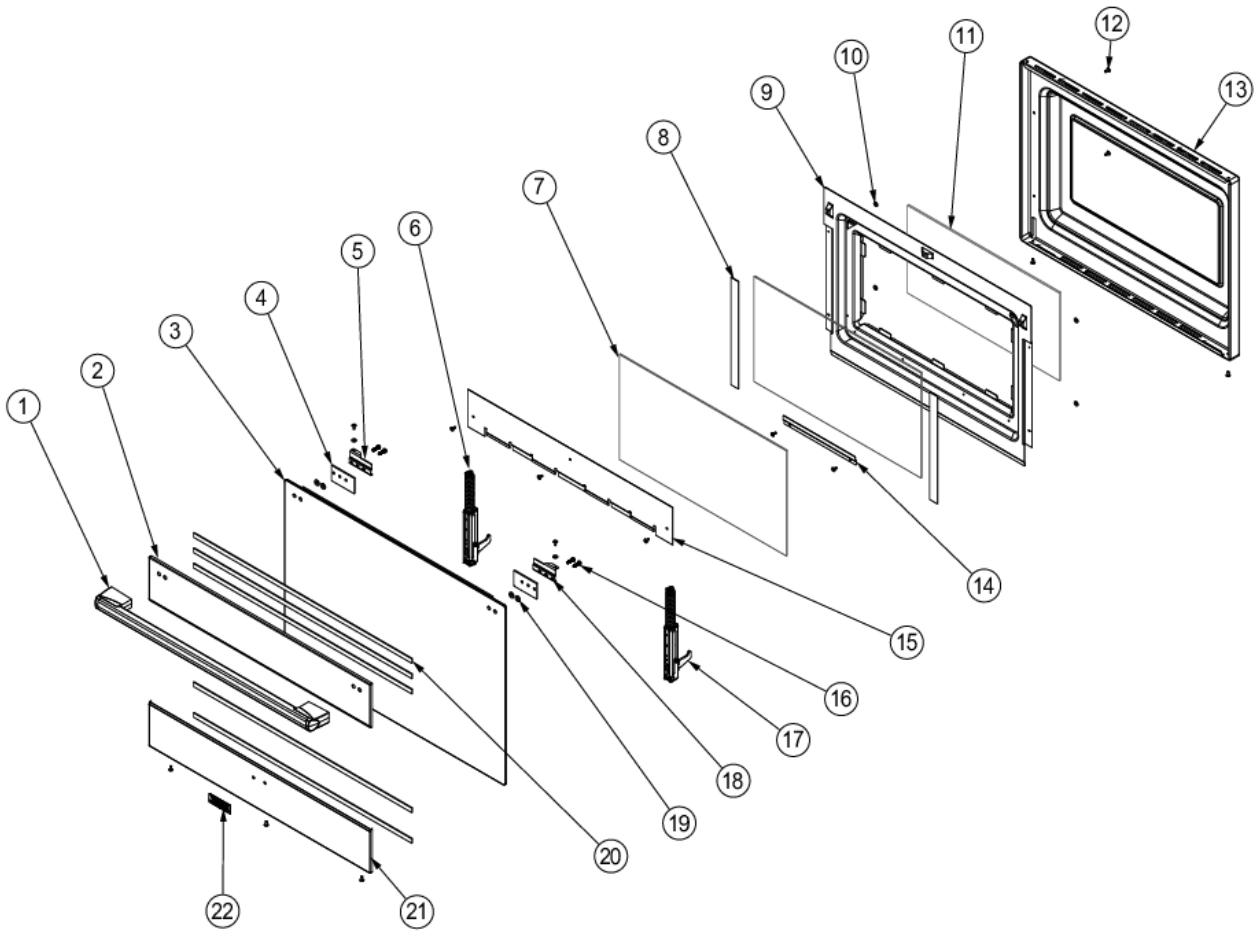
Item	Part No.	Name	Qty	Uom	NOTES
NI	015086-023	TRIM, CTRL, UPPER, IB, NOT FIELD REPLACEABLE	1	EA	
NI	015086-024	TRIM, CTRL, UPPER, AR, NOT FIELD REPLACEABLE	1	EA	
NI	015086-025	TRIM, CTRL, UPPER, RR, NOT FIELD REPLACEABLE	1	EA	
NI	015086-026	TRIM, CTRL, UPPER, PM, NOT FIELD REPLACEABLE	1	EA	
NI	015086-027	TRIM, CTRL, UPPER, MS, NOT FIELD REPLACEABLE	1	EA	
3	023199-000	TAPE, 9" CONTROL PANEL, NOT FIELD REPLACEABLE	6	EA	
4	012806-000	GLASS TOUCH PANEL, SINGLE	1	EA	
5	023222-000	FASTENER,ADH,3M, NOT FIELD REPLACEABLE	2	EA	
6	013360-000	TOUCH MOUNT, NOT FIELD REPLACEABLE	1	EA	

DOOR ASSEMBLY



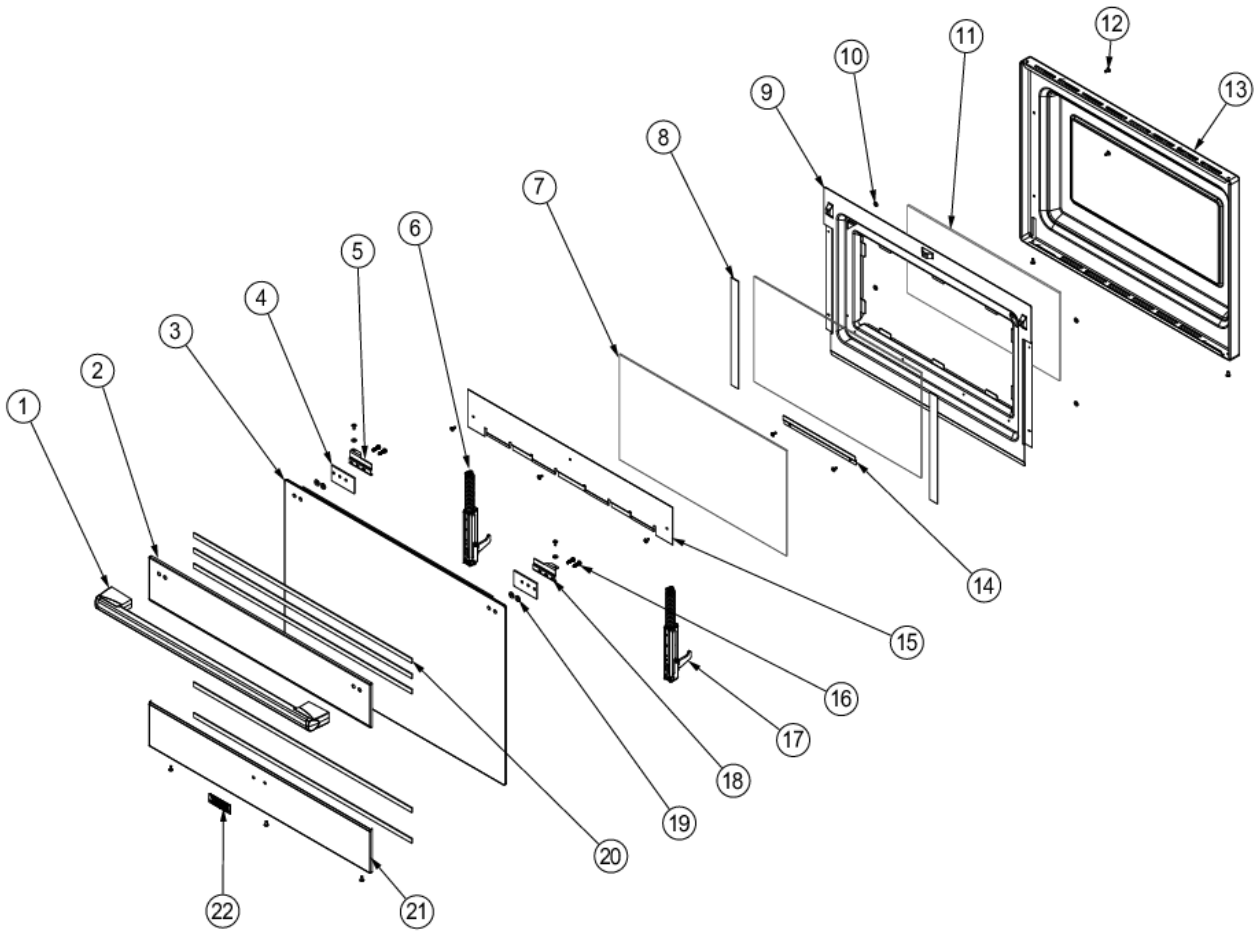


Item	Part No.	Name	Qty	Uom	NOTES
1	009602-000	HANDLE, ASM	1	EA	
2	011639-000	UPPER DOOR PANEL, SS	1	EA	
3	009078-000	OUTER DOOR DECORATIVE GLASS	1	EA	
4	008971-000	SPACER, DOOR, HANDLE	2	EA	
5	008973-000	CLIP, GL, DOOR, LH	1	EA	
6	008958-000	HINGE LH	1	EA	
7	008952-000	INNER DOOR GLASS	2	EA	
8	020510-000	TAPE, VINYL, SINGLE COATED	2	EA	
9	013589-000	DOOR INS RET W/PORC	1	EA	Not available online / Call for pricing and availability
10	021181-000	WASHER, FIBER	6	EA	
11	008949-000	INNER DOOR GLASS	1	EA	
12	008863-000	SCREW #8 - 18 X 3/8, PHIL, LOW PROFILE TRUSS	15	EA	
13	013585-000	DOOR PLUG W/PORC	1	EA	
14	042622-000	RETAINER, GL, BOT	1	EA	Not available online / Call for pricing and availability
15	008959-000	RETAINER, GL, TOP	1	EA	
16	008974-000	SCREW 10 - 32 X 3/4 SLOT HEX WASHER W/ LOCTITE	4	EA	
17	008955-000	HINGE RH	1	EA	
18	008972-000	CLIP, GL, DOOR, RH	1	EA	
19	046838-000	BUSHING, NYLON (12SWS0953)	4	EA	Not available online / Call for pricing and availability
20	014193-000	3M VHB TAPE, 4991	5	EA	
21	014188-000	LOWER PANEL, DOOR, SS, W/LOGO	1	EA	
22	013700-000	2.75" DESIGNER LOGO WITH PINS	1	EA	
NI	014219-000	OUTER DOOR ASM, SS, W/LOGO	1	EA	
NI	016854-002	OUTER DOOR ASM, W/LOGO, BK	1	EA	



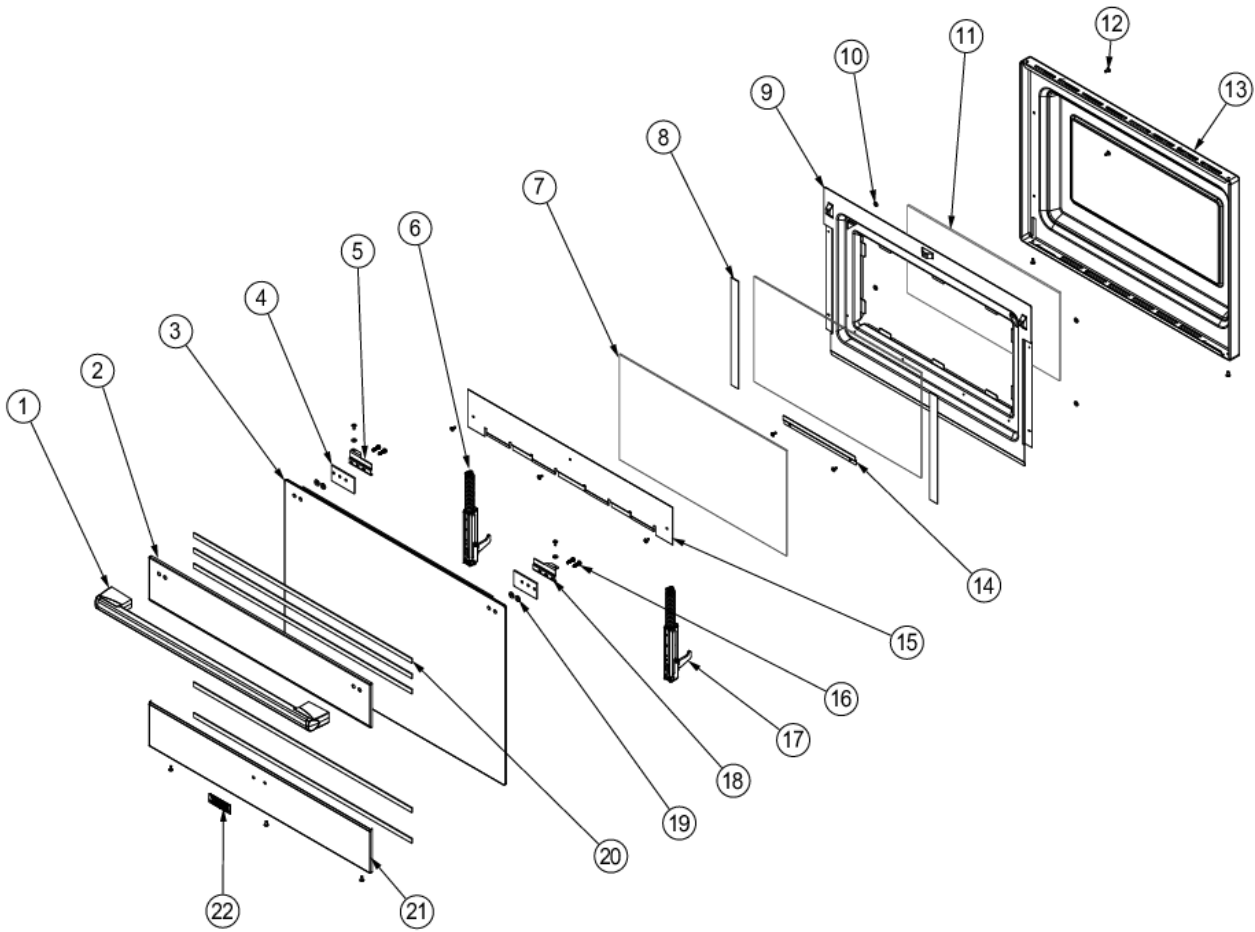


Item	Part No.	Name	Qty	Uom	NOTES
NI	016854-003	OUTER DOOR ASM, W/LOGO, BT	1	EA	Not available online / Call for pricing and availability
NI	016854-004	OUTER DOOR ASM, W/LOGO, SG	1	EA	Not available online / Call for pricing and availability
NI	016854-005	OUTER DOOR ASM, W/LOGO, GG	1	EA	
NI	016854-006	OUTER DOOR ASM, W/LOGO, WH	1	EA	Not available online / Call for pricing and availability
NI	016854-008	OUTER DOOR ASM, W/LOGO, BU	1	EA	Not available online / Call for pricing and availability
NI	016854-009	OUTER DOOR ASM, W/LOGO, LE	1	EA	Not available online / Call for pricing and availability
NI	016854-010	OUTER DOOR ASM, W/LOGO, MJ	1	EA	Not available online / Call for pricing and availability
NI	016854-012	OUTER DOOR ASM, W/LOGO, VB	1	EA	Not available online / Call for pricing and availability
NI	016854-013	OUTER DOOR ASM, W/LOGO, CB	1	EA	Not available online / Call for pricing and availability
NI	016854-015	OUTER DOOR ASM, W/LOGO, PL	1	EA	Not available online / Call for pricing and availability
NI	016854-016	OUTER DOOR ASM, W/LOGO, CH	1	EA	Not available online / Call for pricing and availability
NI	016854-017	OUTER DOOR ASM, W/LOGO, TP	1	EA	Not available online / Call for pricing and availability
NI	016854-018	OUTER DOOR ASM, W/LOGO, CW	1	EA	Not available online / Call for pricing and availability





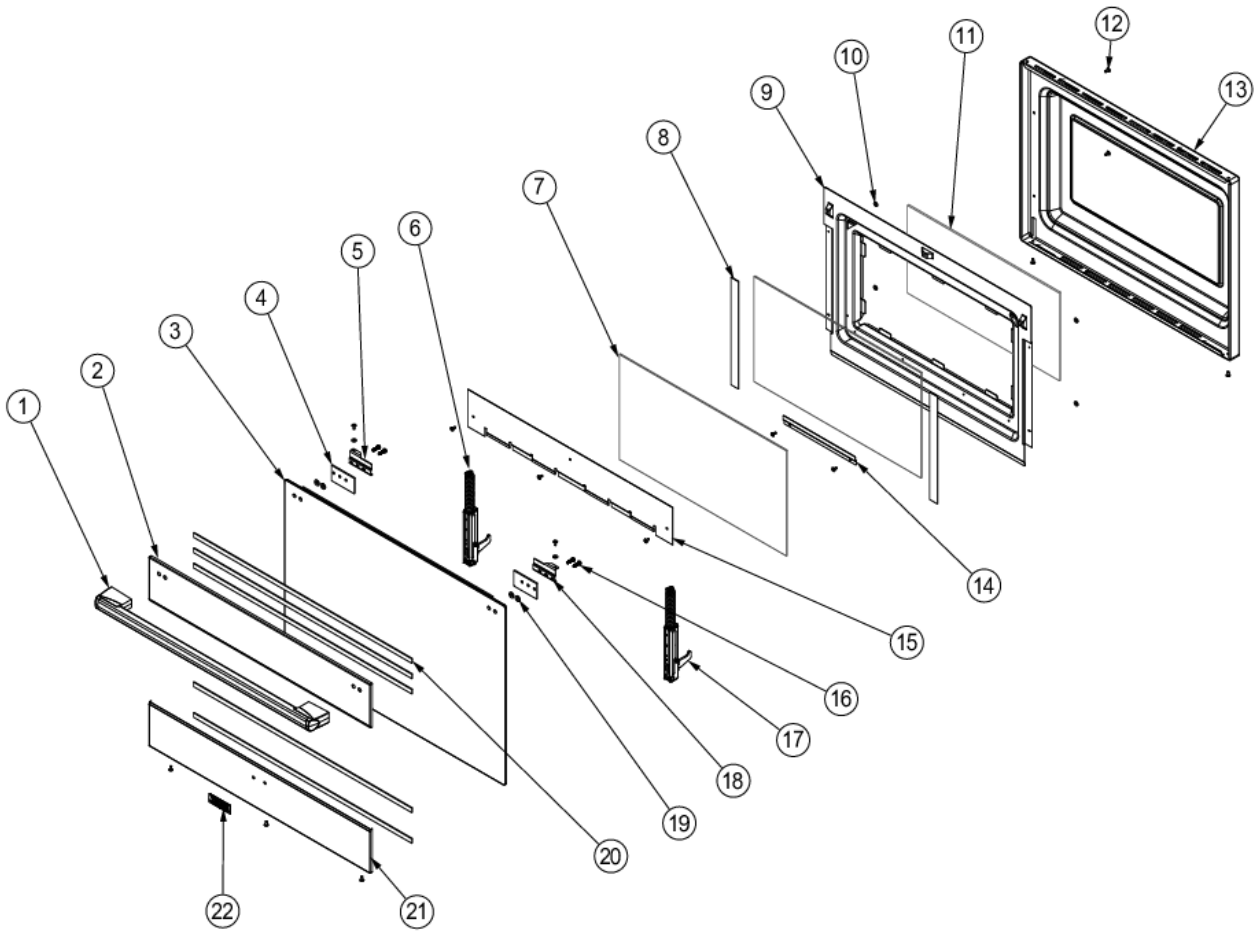
Item	Part No.	Name	Qty	Uom	NOTES
NI	016854-019	OUTER DOOR ASM, W/LOGO, OG	1	EA	Not available online / Call for pricing and availability
NI	016854-020	OUTER DOOR ASM, W/LOGO, GM	1	EA	Not available online / Call for pricing and availability
NI	016854-021	OUTER DOOR ASM, W/LOGO, SA	1	EA	Not available online / Call for pricing and availability
NI	016854-022	OUTER DOOR ASM, W/LOGO, SE	1	EA	Not available online / Call for pricing and availability
NI	016854-023	OUTER DOOR ASM, W/LOGO, IB	1	EA	Not available online / Call for pricing and availability
NI	016854-024	OUTER DOOR ASM, W/LOGO, AR	1	EA	Not available online / Call for pricing and availability
NI	016854-025	OUTER DOOR ASM, W/LOGO, RR	1	EA	Not available online / Call for pricing and availability
NI	016854-026	OUTER DOOR ASM, W/LOGO, PM	1	EA	Not available online / Call for pricing and availability
NI	016854-027	OUTER DOOR ASM, W/LOGO, MS	1	EA	Not available online / Call for pricing and availability
NI	014220-000	DOOR ASM (SS) W/ LOGO	1	EA	
NI	016853-002	DOOR ASM, W/LOGO, BK	1	EA	Not available online / Call for pricing and availability
NI	016853-003	DOOR ASM, W/LOGO, BT	1	EA	Not available online / Call for pricing and availability
NI	016853-004	DOOR ASM, W/LOGO, SG	1	EA	Not available online / Call for pricing and availability







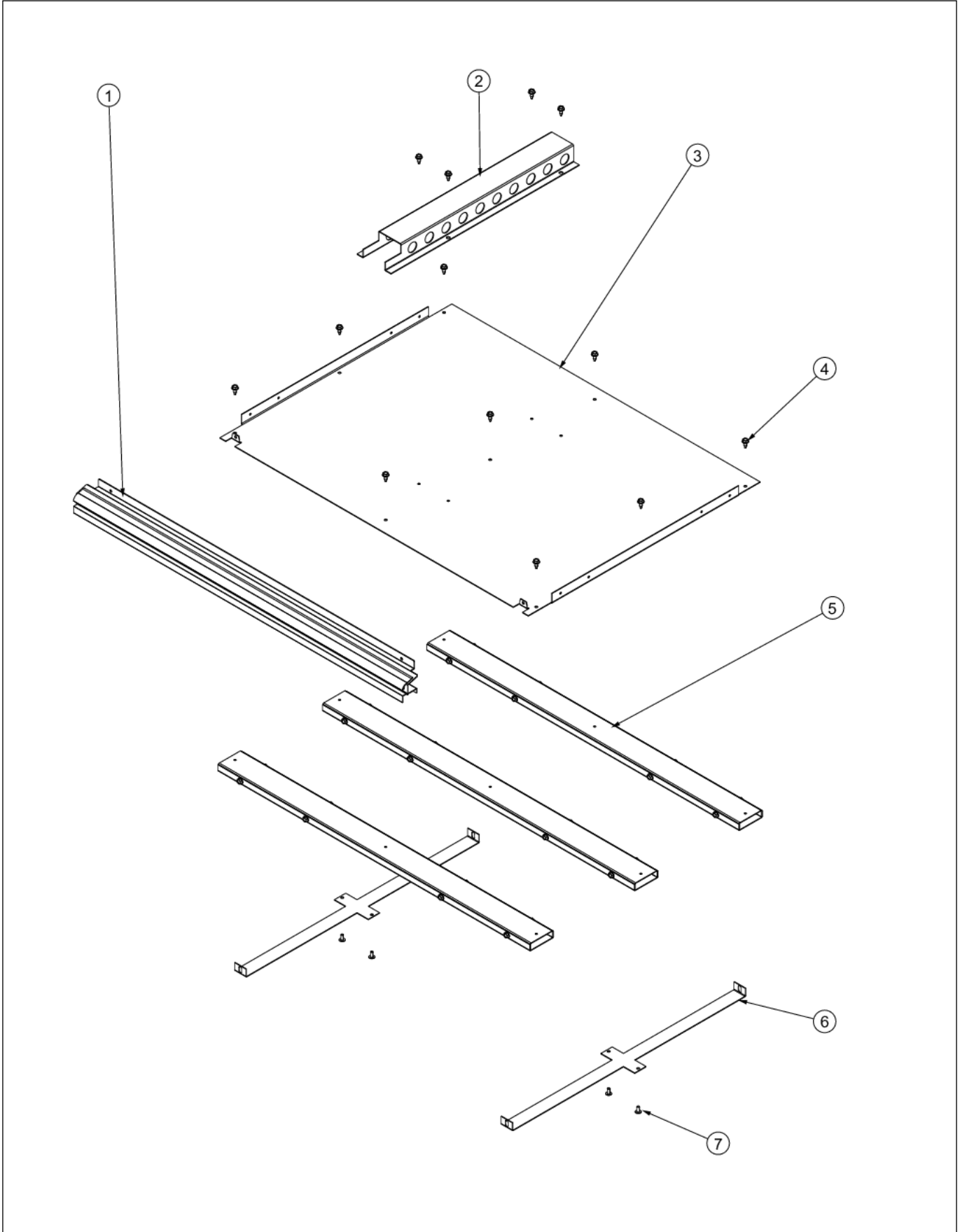
Item	Part No.	Name	Qty	Uom	NOTES
NI	016853-005	DOOR ASM, W/LOGO, GG	1	EA	Not available online / Call for pricing and availability
NI	016853-006	DOOR ASM, W/LOGO, WH	1	EA	Not available online / Call for pricing and availability
NI	016853-008	DOOR ASM, W/LOGO, BU	1	EA	Not available online / Call for pricing and availability
NI	016853-009	DOOR ASM, W/LOGO, LE	1	EA	Not available online / Call for pricing and availability
NI	016853-010	DOOR ASM, W/LOGO, MJ	1	EA	Not available online / Call for pricing and availability
NI	016853-012	DOOR ASM, W/LOGO, VB	1	EA	Not available online / Call for pricing and availability
NI	016853-013	DOOR ASM, W/LOGO, CB	1	EA	Not available online / Call for pricing and availability
NI	016853-015	DOOR ASM, W/LOGO, PL	1	EA	Not available online / Call for pricing and availability
NI	016853-016	DOOR ASM, W/LOGO, CH	1	EA	Not available online / Call for pricing and availability
NI	016853-017	DOOR ASM, W/LOGO, TP	1	EA	Not available online / Call for pricing and availability
NI	016853-018	DOOR ASM, W/LOGO, CW	1	EA	Not available online / Call for pricing and availability
NI	016853-019	DOOR ASM, W/LOGO, OG	1	EA	Not available online / Call for pricing and availability
NI	016853-020	DOOR ASM, W/LOGO, GM	1	EA	Not available online / Call for pricing and availability





Item	Part No.	Name	Qty	Uom	NOTES
NI	016853-021	DOOR ASM, W/LOGO, SA	1	EA	Not available online / Call for pricing and availability
NI	016853-022	DOOR ASM, W/LOGO, SE	1	EA	Not available online / Call for pricing and availability
NI	016853-023	DOOR ASM, W/LOGO, IB	1	EA	Not available online / Call for pricing and availability
NI	016853-024	DOOR ASM, W/LOGO, AR	1	EA	Not available online / Call for pricing and availability
NI	016853-025	DOOR ASM, W/LOGO, RR	1	EA	Not available online / Call for pricing and availability
NI	016853-026	DOOR ASM, W/LOGO, PM	1	EA	Not available online / Call for pricing and availability
NI	016853-027	DOOR ASM, W/LOGO, MS	1	EA	Not available online / Call for pricing and availability

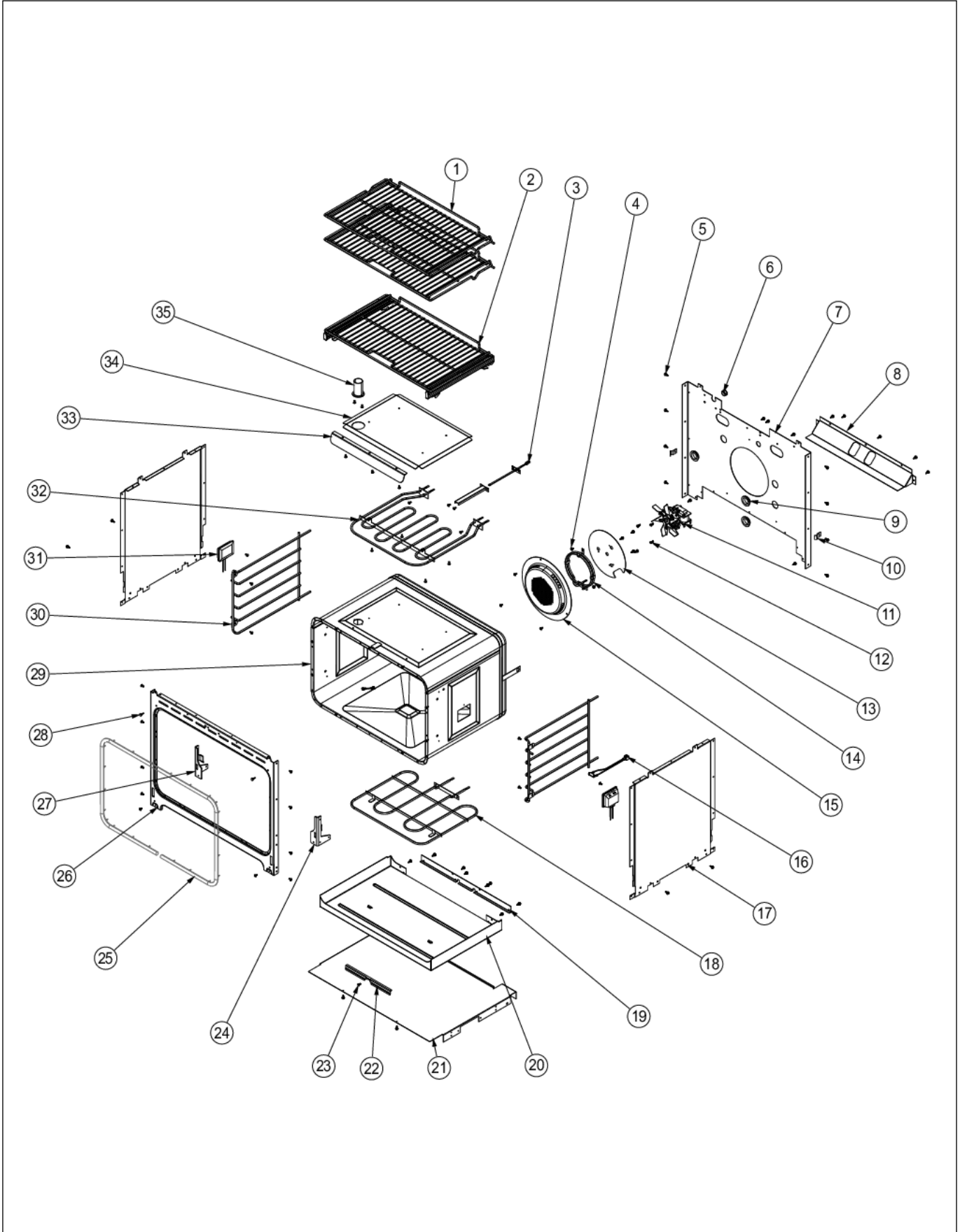
LOWER EXTERIOR AREA



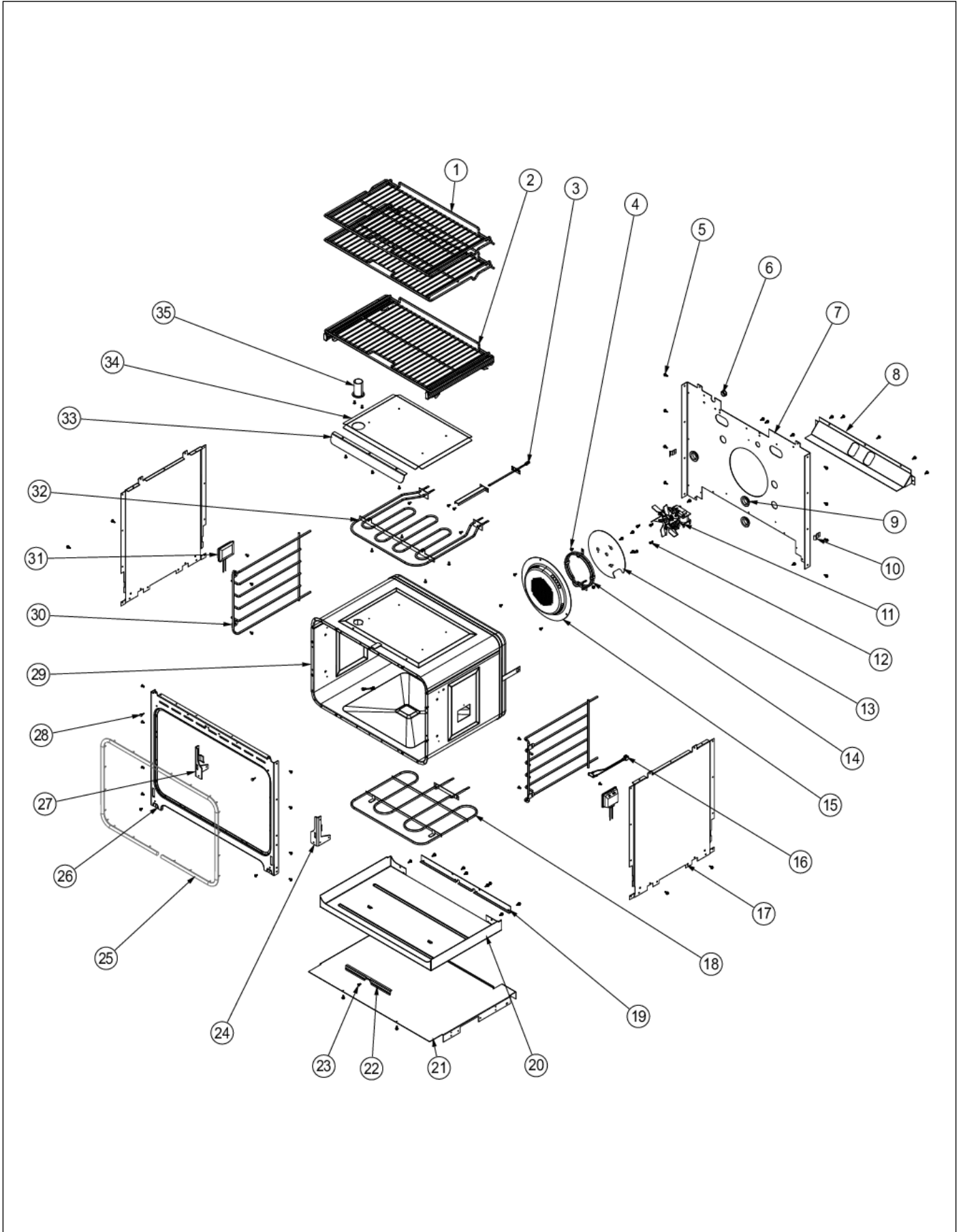


Item	Part No.	Name	Qty	Uom	NOTES
1	009015-000	LOWER VENT ASM	1	EA	
2	014278-000	BOTTOM SUPPORT	1	EA	
3	008923-000	BASE COVER	1	EA	
4	003860-000	10-18 x .500 FASTNR,SCR,HXWH,STL,ZPLT	13	EA	
5	008927-000	CROSS BRACE ASM	1	EA	
6	008928-000	SLIDE, BASE	2	EA	
7	008863-000	SCREW #8 - 18 X 3/8, PHIL, LOW PROFILE TRUSS	3	EA	

OVEN CAVITY



Item	Part No.	Name	Qty	Uom	NOTES
1	013646-000	RACK, OVEN, DESIGNER, 30	2	EA	
2	051822-000	RACK, GLIDE, W/O 30"	1	EA	
3	008870-000	RTD	1	EA	
4	PD020063	SCREW-#8(A) X 3/8"PH WFR HD/BK OXID	2	EA	
5	003860-000	10-18 x .500 FASTNR,SCR,HXWH,STL,ZPLT	33	EA	
6	PD040005	SNAP BUSHING - 7/8"	1	EA	
7	008888-000	BACK INS RETAINER	1	EA	
8	008898-000	FAN DEFLECTOR	1	EA	
9	PB070320	SILICONE EXTRUSION	3	EA	
10	013070-000	SIDE SPACER	2	EA	
11	019668-000	FAN, CONV, ASM	1	EA	
12	008877-000	CONV MOTOR MOUNT SCREW	3	EA	Not available online / Call for pricing and availability
13	008873-000	CONV. MOTOR COVER	1	EA	
14	008862-000	CONV ELEMENT	1	EA	
15	013580-000	CONV COVER W/PORC	1	EA	
16	008880-000	MEAT PROBE RECEPTACLE ASM	1	EA	
17	008896-000	COVER, INSL, SIDE	2	EA	
18	008854-000	BAKE ELEMENT	1	EA	
19	008855-000	COVER BAKE TRAY	1	EA	
20	008857-000	COVER BAKE ELEMENT	1	EA	
21	008889-000	RETAINER, BOT, INSULATION	1	EA	
22	009005-000	GASKET CLIP RAW	1	EA	Not available online / Call for pricing and availability
23	008863-000	SCREW #8 - 18 X 3/8, PHIL, LOW PROFILE TRUSS	33	EA	
24	008895-000	RECEIVER, HINGE RIGHT	1	EA	
25	009007-000	DOOR GASKET	1	EA	
26	013505-000	FRONT FRAME W/PORC	1	EA	
27	008894-000	RECEIVER, HINGE LEFT	1	EA	
28	008864-000	SILICONE BUMPER	2	EA	

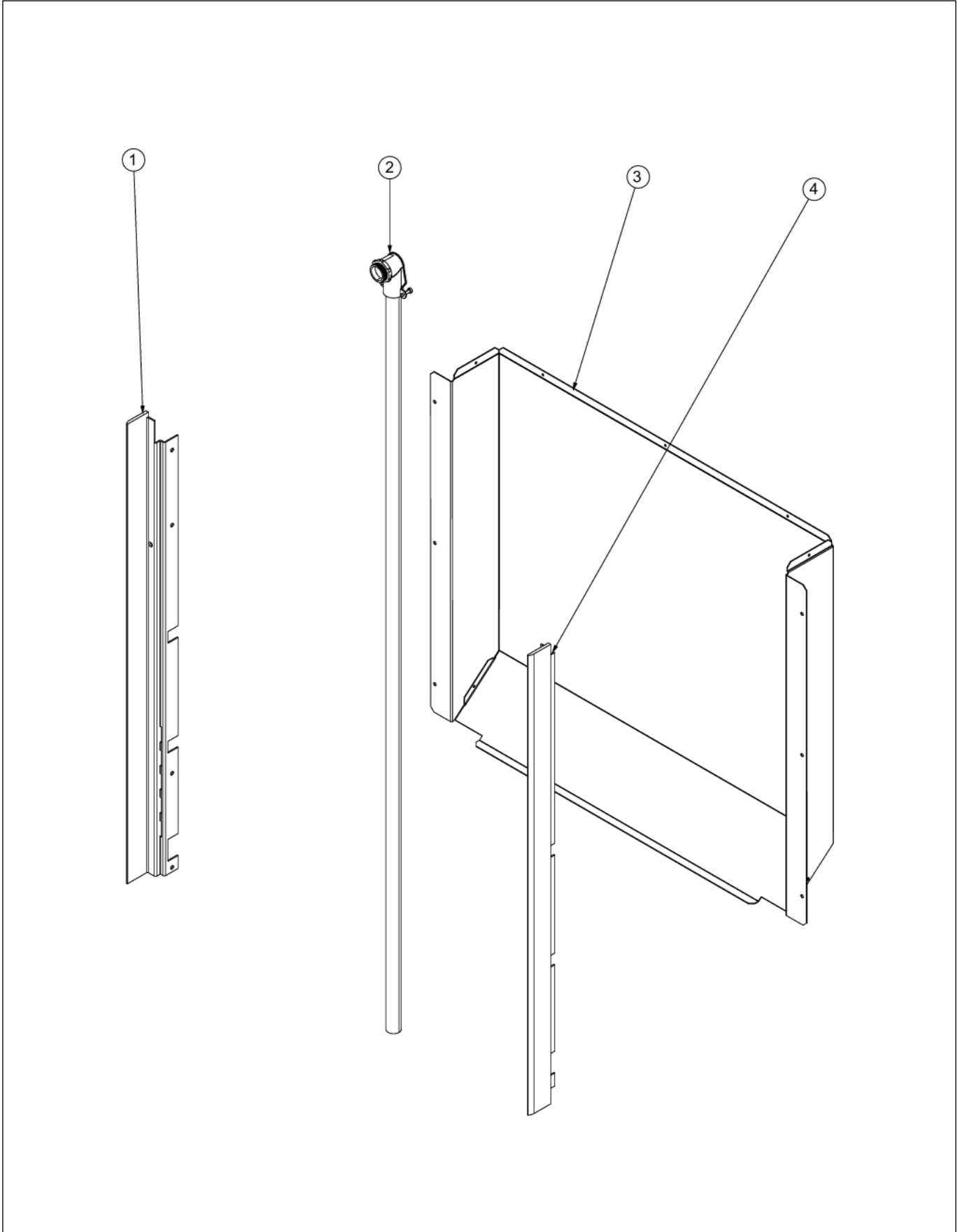






Item	Part No.	Name	Qty	Uom	NOTES
29	UN-SERVICEABLE	CAVITY W/PORC	1	EA	
30	008866-000	RACK SUPPORT W/ PORC	1	EA	
31	020403-000	LAMP, OVEN, 120V/40W	2	EA	
32	008871-000	BROIL ELEMENT	1	EA	
33	013753-000	DEFLECTOR, BRL, ASM, DESIGNER	1	EA	
34	008867-000	BROIL REFLECTOR	1	EA	
35	008868-000	SMOKE ELIMINATOR	1	EA	

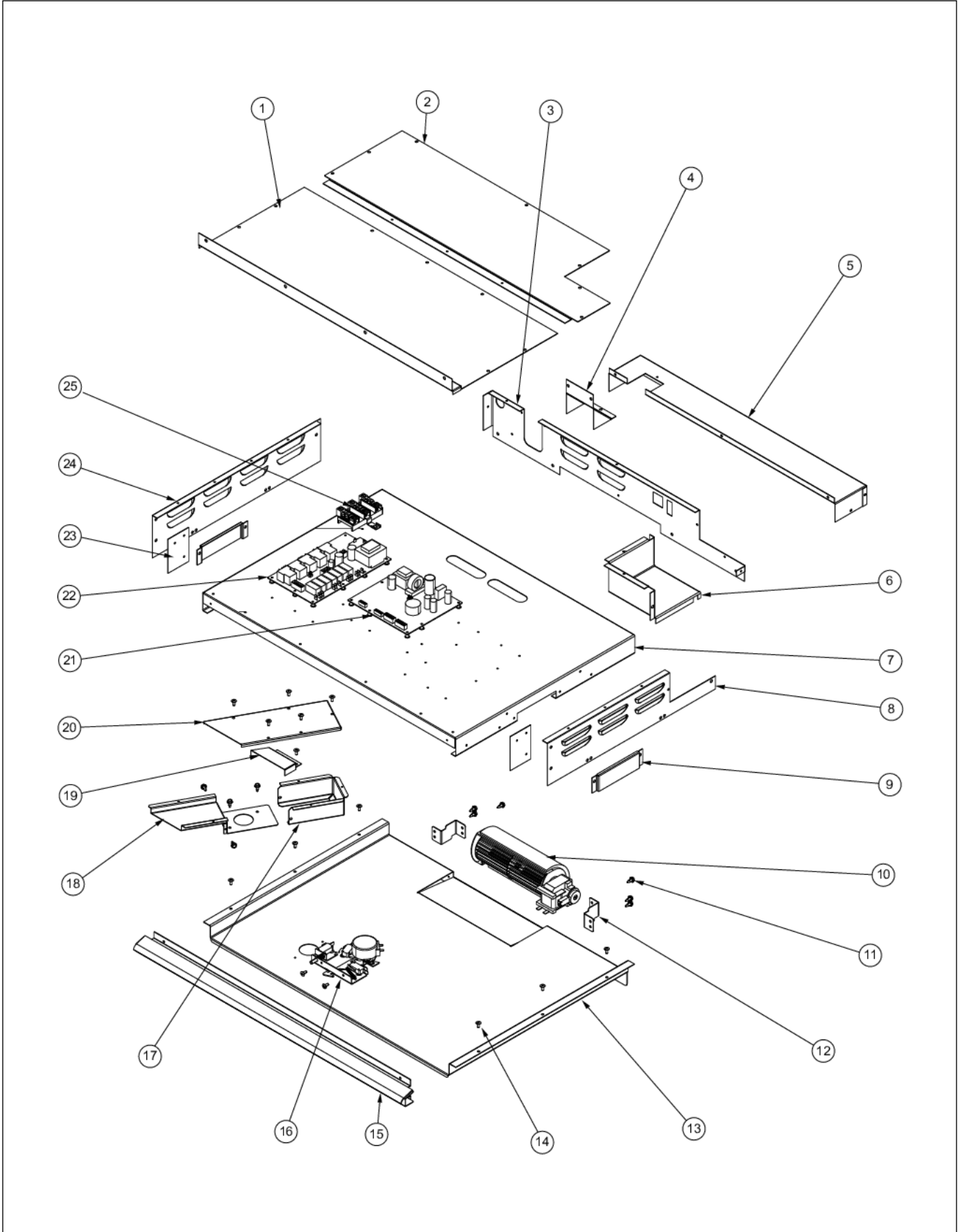
REAR UNIT AREA





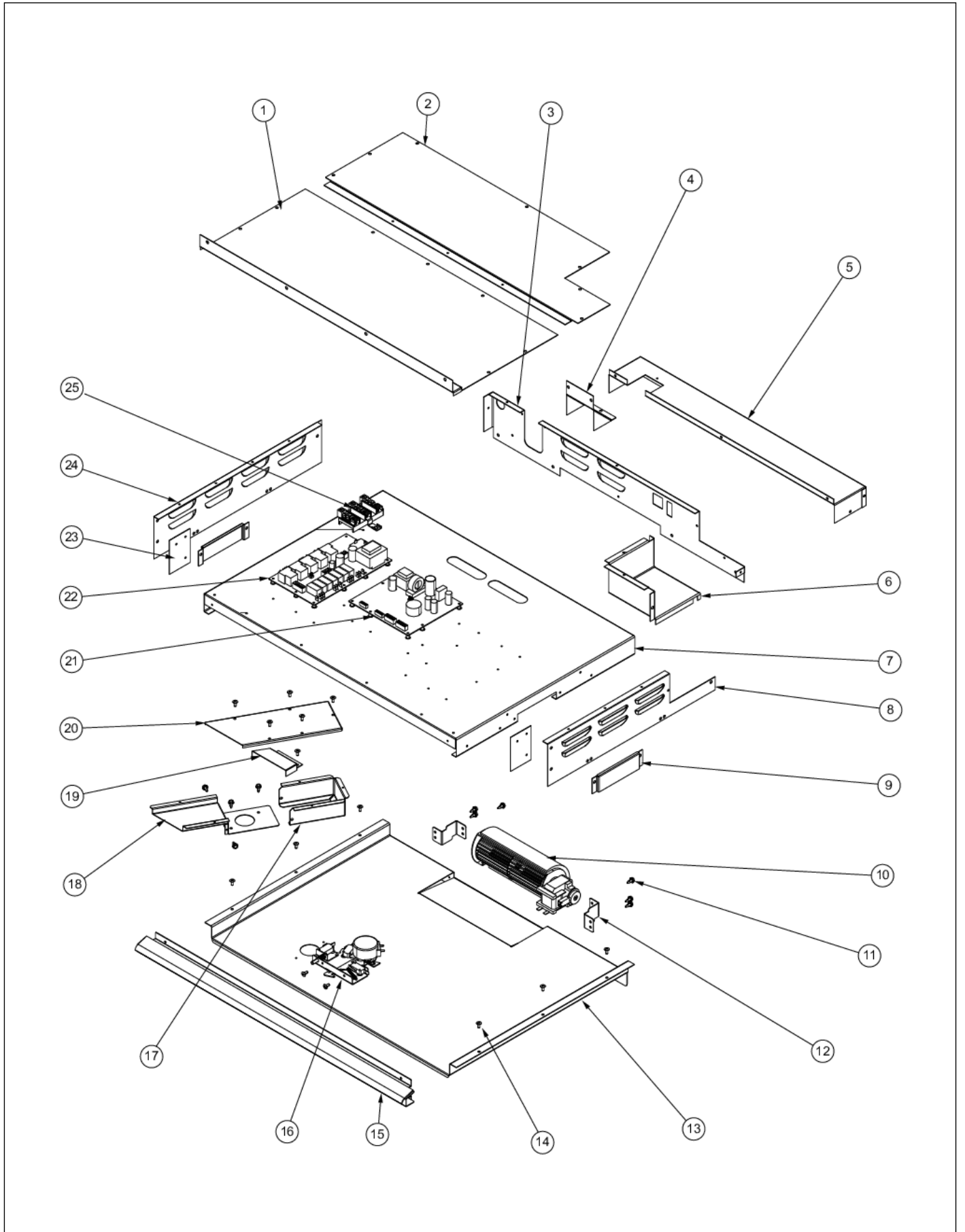
Item	Part No.	Name	Qty	Uom	NOTES
1	012536-000	SINGLE LH SIDE TRIM EXTRUSION	1	EA	
2	001420-900	48" CONDUIT ASSY	1	EA	Not available online / Call for pricing and availability
3	009009-000	COVER, BACK, LWR, NON-REF	1	EA	Not available online / Call for pricing and availability
4	012535-000	SINGLE RH SIDE TRIM EXTRUSION	1	EA	

UPPER EXTERIOR AREA





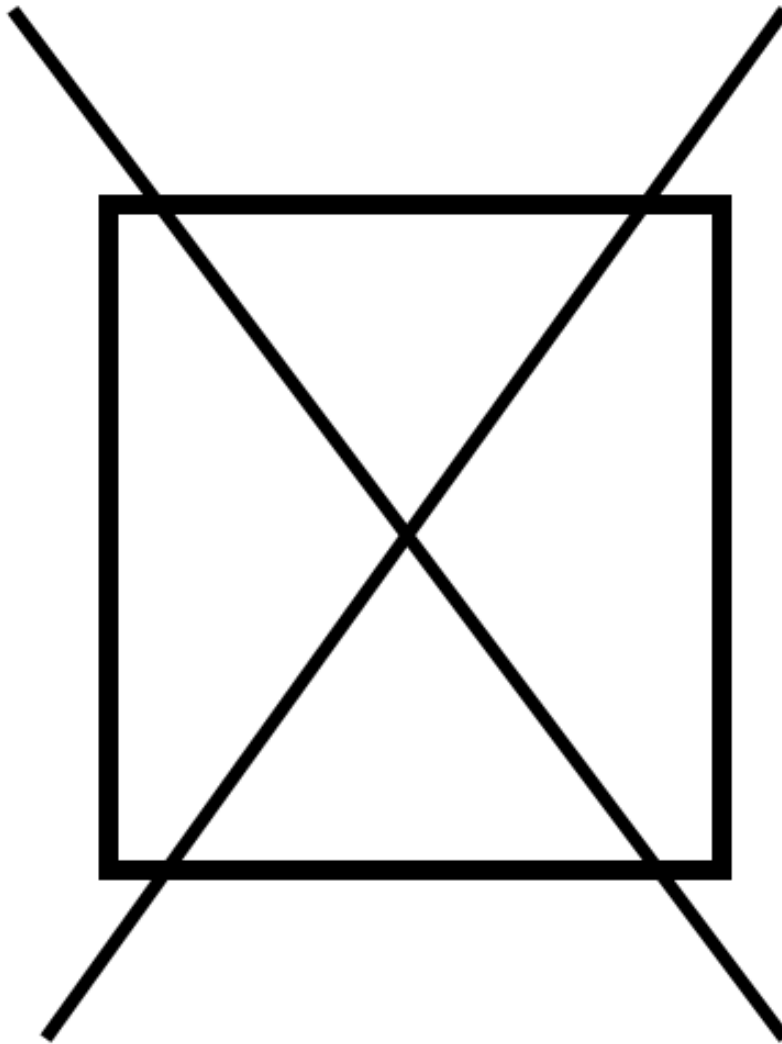
Item	Part No.	Name	Qty	Uom	NOTES
1	012541-000	PANEL, ACS, FR	1	EA	
2	015776-000	PANEL, ACS, TOP, REAR	1	EA	
3	015775-000	PANEL, ENCL, BACK, W/LOUVERS	1	EA	NO LONGER AVAILABLE, Not available online / Call for pricing and availability
4	009004-000	COVER, WIRE	1	EA	Not available online / Call for pricing and availability
5	009003-000	COVER, BACK, TOP	1	EA	Not available online / Call for pricing and availability
6	015774-000	COVER PLATE	1	EA	NO LONGER AVAILABLE
7	019372-000	PANEL, MOUNTING, TOUCH	1	EA	
8	015777-000	TOP SIDE, RH	1	EA	NO LONGER AVAILABLE
9	013740-000	COVER, SIDE, DESIGNER	2	EA	Not available online / Call for pricing and availability
10	PE050250	Blower	1	EA	
<p>Comments for Part Num. PE050250</p> <p>highendappsvc@gmail.com on Jan 28, 2019</p> <p>If you need to replace cooling fan for the model vgsc5486gss serial date code 031412, do not order this fan, this fan is larger and configured wrong. The correct fan is 007794-000. it is smaller.</p>					
11	003860-000	10-18 x .500 FASTNR,SCR,HXWH,STL,ZPLT	10	EA	
12	008899-000	COOLING FAN BRACKET	2	EA	
13	008901-000	RETAINER INSL, TOP	1	EA	
14	008863-000	SCREW #8 - 18 X 3/8, PHIL, LOW PROFILE TRUSS	14	EA	
15	009012-000	UPPER VENT ASM	1	EA	Not available online / Call for pricing and availability
16	035630-000	LATCH, ELEC, DOOR ASM (INCLUDES SWITCHES)	1	EA	
17	008912-000	SMOKE ELIMIN BACK	1	EA	
18	008902-000	SMOKE ELIM VENT BOTTOM	1	EA	





Item	Part No.	Name	Qty	Uom	NOTES
19	008914-000	TRIM, VENT, SEAL	1	EA	Not available online / Call for pricing and availability
20	008913-000	SMOKE ELIM VENT, TOP	1	EA	
21	PE050233	Control Board	1	EA	
22	PE050234	RELAY BOARD	1	EA	
23	012542-000	FILLER PLATE	2	EA	NO LONGER AVAILABLE, Not available online / Call for pricing and availability
24	012540-000	TOP SIDE, LH	1	EA	NO LONGER AVAILABLE
25	PE070147	TERMINAL BLOCK (VDSC)	1	EA	
NI	023222-000	FASTENER,ADH,3M, NOT FIELD REPLACEABLE	2	EA	

# NON ILLUSTRATED PART







Item	Part No.	Name	Qty	Uom	NOTES
NI	PE070884	TOUCH CONTROL LOWER RELAY HARNESS	1	EA	
NI	PE070845	TOUCH CONTROL KEYBOARD HARNESS	1	EA	
NI	PE070846	TOUCH CONTROL DISPLAY HARNESS	1	EA	
NI	005293-000	HARN,HEADER, MODEL 6 (SEE MODEL_HEADER)	1	EA	



Appendix A:Pages Index

CONTROL AREA .....	1
DOOR ASSEMBLY .....	2
LOWER EXTERIOR AREA .....	3
OVEN CAVITY .....	4
REAR UNIT AREA .....	5
UPPER EXTERIOR AREA .....	6
WIRING .....	7



Appendix B:Parts Index

001420-900	5	008974-000	2
003860-000	3, 4, 6	009003-000	6
005293-000	7	009004-000	6
008854-000	4	009005-000	4
008855-000	4	009007-000	4
008857-000	4	009009-000	5
008862-000	4	009012-000	6
008863-000	2, 3, 4, 6	009015-000	3
008864-000	4	009078-000	2
008866-000	4	009602-000	2
008867-000	4	011639-000	2
008868-000	4	011667-000	1
008870-000	4	012535-000	5
008871-000	4	012536-000	5
008873-000	4	012540-000	6
008877-000	4	012541-000	6
008880-000	4	012542-000	6
008888-000	4	012806-000	1
008889-000	4	013070-000	4
008894-000	4	013360-000	1
008895-000	4	013505-000	4
008896-000	4	013580-000	4
008898-000	4	013585-000	2
008899-000	6	013589-000	2
008901-000	6	013646-000	4
008902-000	6	013700-000	2
008912-000	6	013740-000	6
008913-000	6	013753-000	4
008914-000	6	014188-000	2
008923-000	3	014193-000	2
008927-000	3	014219-000	2
008928-000	3	014220-000	2
008949-000	2	014278-000	3
008952-000	2	014542-000	1
008955-000	2	015085-002	1
008958-000	2	015085-003	1
008959-000	2	015085-004	1
008971-000	2	015085-005	1
008972-000	2	015085-006	1
008973-000	2	015085-008	1
		015085-009	1



015085-010	1	015776-000	6
015085-012	1	015777-000	6
015085-013	1	016853-002	2
015085-015	1	016853-003	2
015085-016	1	016853-004	2
015085-017	1	016853-005	2
015085-018	1	016853-006	2
015085-019	1	016853-008	2
015085-020	1	016853-009	2
015085-021	1	016853-010	2
015085-022	1	016853-012	2
015085-023	1	016853-013	2
015085-024	1	016853-015	2
015085-025	1	016853-016	2
015085-026	1	016853-017	2
015085-027	1	016853-018	2
015086-002	1	016853-019	2
015086-003	1	016853-020	2
015086-004	1	016853-021	2
015086-005	1	016853-022	2
015086-006	1	016853-023	2
015086-008	1	016853-024	2
015086-009	1	016853-025	2
015086-010	1	016853-026	2
015086-012	1	016853-027	2
015086-013	1	016854-002	2
015086-015	1	016854-003	2
015086-016	1	016854-004	2
015086-017	1	016854-005	2
015086-018	1	016854-006	2
015086-019	1	016854-008	2
015086-020	1	016854-009	2
015086-021	1	016854-010	2
015086-022	1	016854-012	2
015086-023	1	016854-013	2
015086-024	1	016854-015	2
015086-025	1	016854-016	2
015086-026	1	016854-017	2
015086-027	1	016854-018	2
015774-000	6	016854-019	2
015775-000	6	016854-020	2



016854-021	2
016854-022	2
016854-023	2
016854-024	2
016854-025	2
016854-026	2
016854-027	2
019372-000	6
019668-000	4
020403-000	4
020510-000	2
021181-000	2
023199-000	1
023222-000	1, 6
035630-000	6
042622-000	2
046838-000	2
051822-000	4
PB070320	4
PD020063	4
PD040005	4
PE050233	6
PE050234	6
PE050250	6
PE070147	6
PE070845	7
PE070846	7
PE070884	7