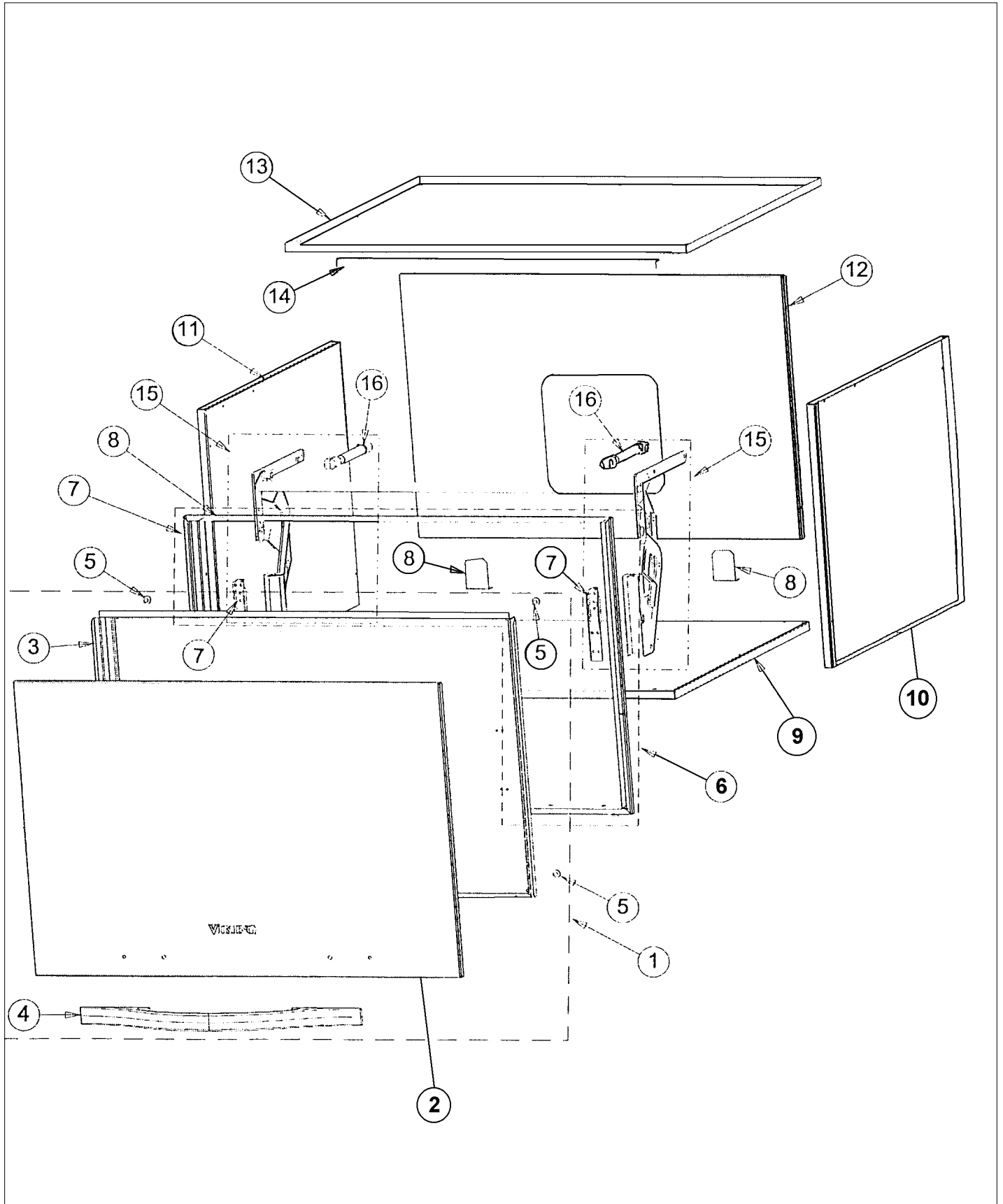


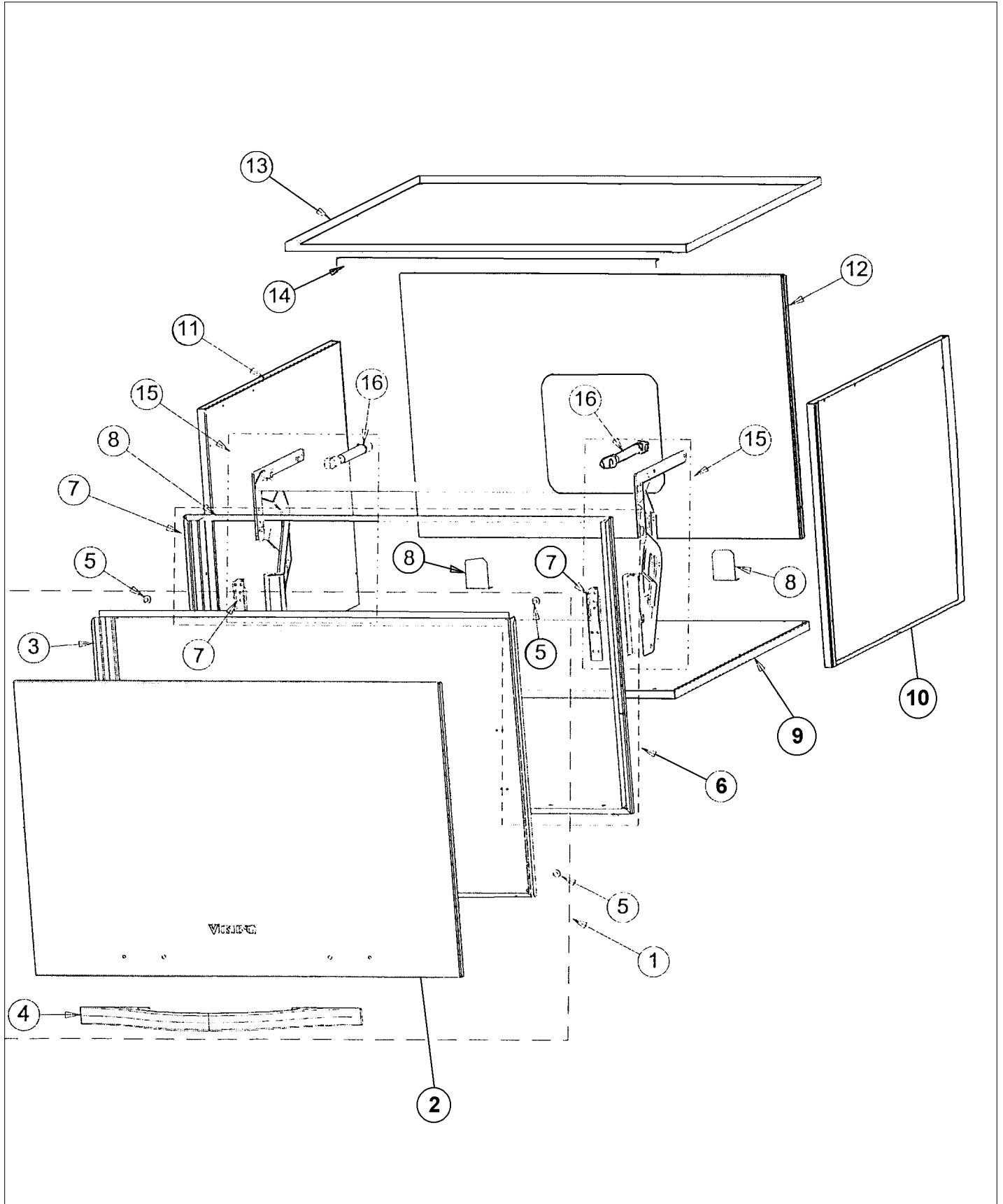
**DMWC100**

DMWC 100 .....	1
Appendix A:Pages Index .....	A
Appendix B:Parts Index .....	B



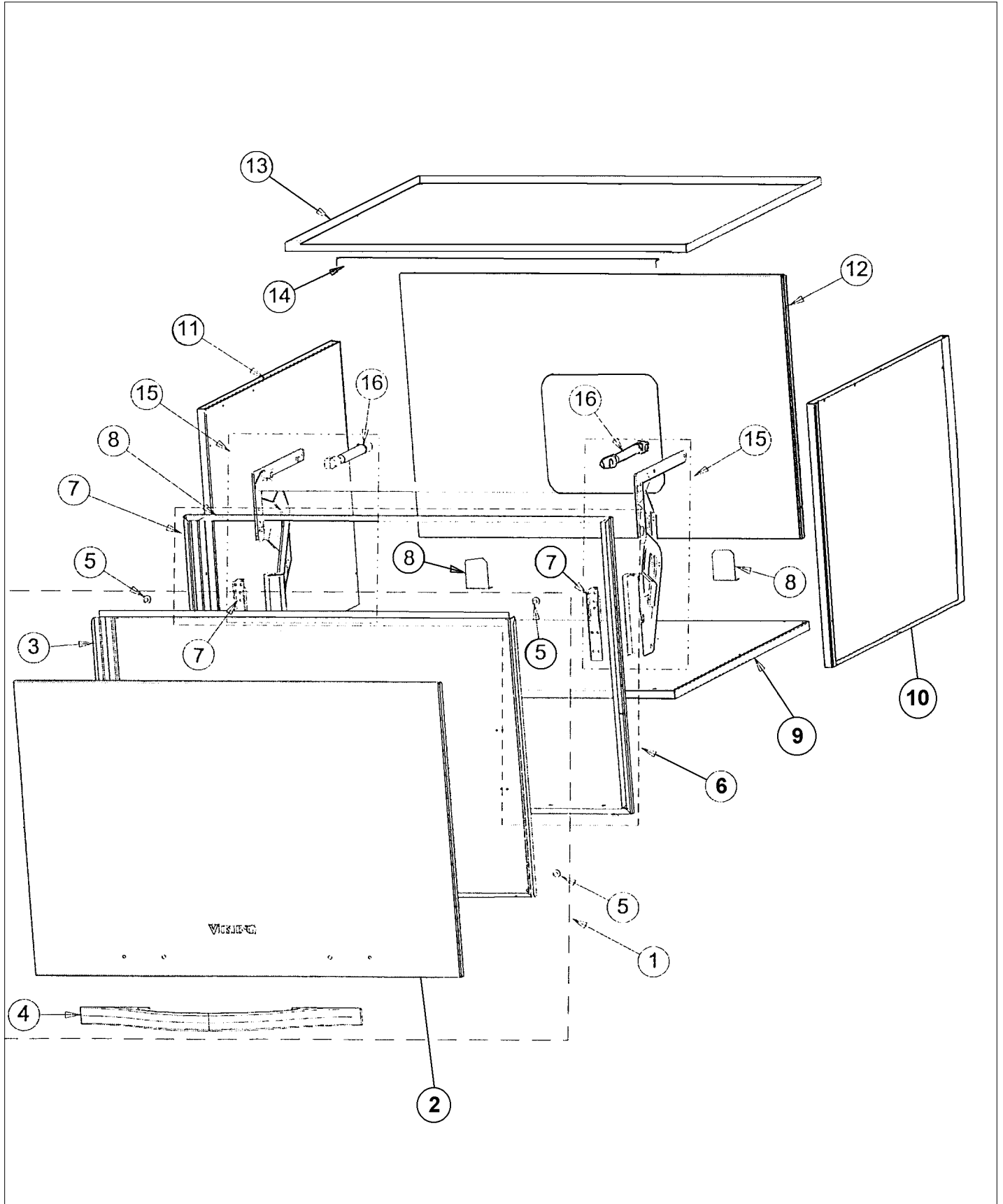


Item	Part No.	Name	Qty	Uom	NOTES
1	G3206086BK	DESIGN MWC 30 DOOR ASSY*BK*	1	EA	NO LONGER AVAILABLE, Not available online / Call for pricing and availability
Not Shown	G3206086BKBR	COMPLETE DOOR ASSY - BKBR (BEFORE SERIAL # M11090105353)	1	EA	Not available online / Call for pricing and availability
Not Shown	G3206086BT	DESIGN MWC 30 DOOR ASSY*BT*	1	EA	NO LONGER AVAILABLE, Not available online / Call for pricing and availability
Not Shown	G3206086BTBR	COMPLETE DOOR ASSY - BTBR (BEFORE SERIAL # M11090105353)	1	EA	Not available online / Call for pricing and availability
Not Shown	G3206086GG	DESIGN MC 30" DOOR ASSY *GG*	1	EA	NO LONGER AVAILABLE, Not available online / Call for pricing and availability
Not Shown	G3206086GGBR	COMPLETE DOOR ASSY - GGBR (BEFORE SERIAL # M11090105353)	1	EA	Not available online / Call for pricing and availability
Not Shown	G3206086SG	DESIGN MWC 30 DOOR ASSY*SG*	1	EA	NO LONGER AVAILABLE, Not available online / Call for pricing and availability
Not Shown	G3206086SGBR	COMPLETE DOOR ASSY - SGBR (BEFORE SERIAL # M11090105353)	1	EA	Not available online / Call for pricing and availability
Not Shown	G3206086	DESIGN MICRO-CHAMBER 30" DOOR ASSY	1	EA	NO LONGER AVAILABLE, Not available online / Call for pricing and availability
Not Shown	G3206086SSBR	DSGN MWC 30"DOOR ASSY*SSBR*	1	EA	NO LONGER AVAILABLE, Not available online / Call for pricing and availability
Not Shown	G3206086WH	DESIGN MWC 30 DOOR ASSY*WH*	1	EA	NO LONGER AVAILABLE, Not available online / Call for pricing and availability



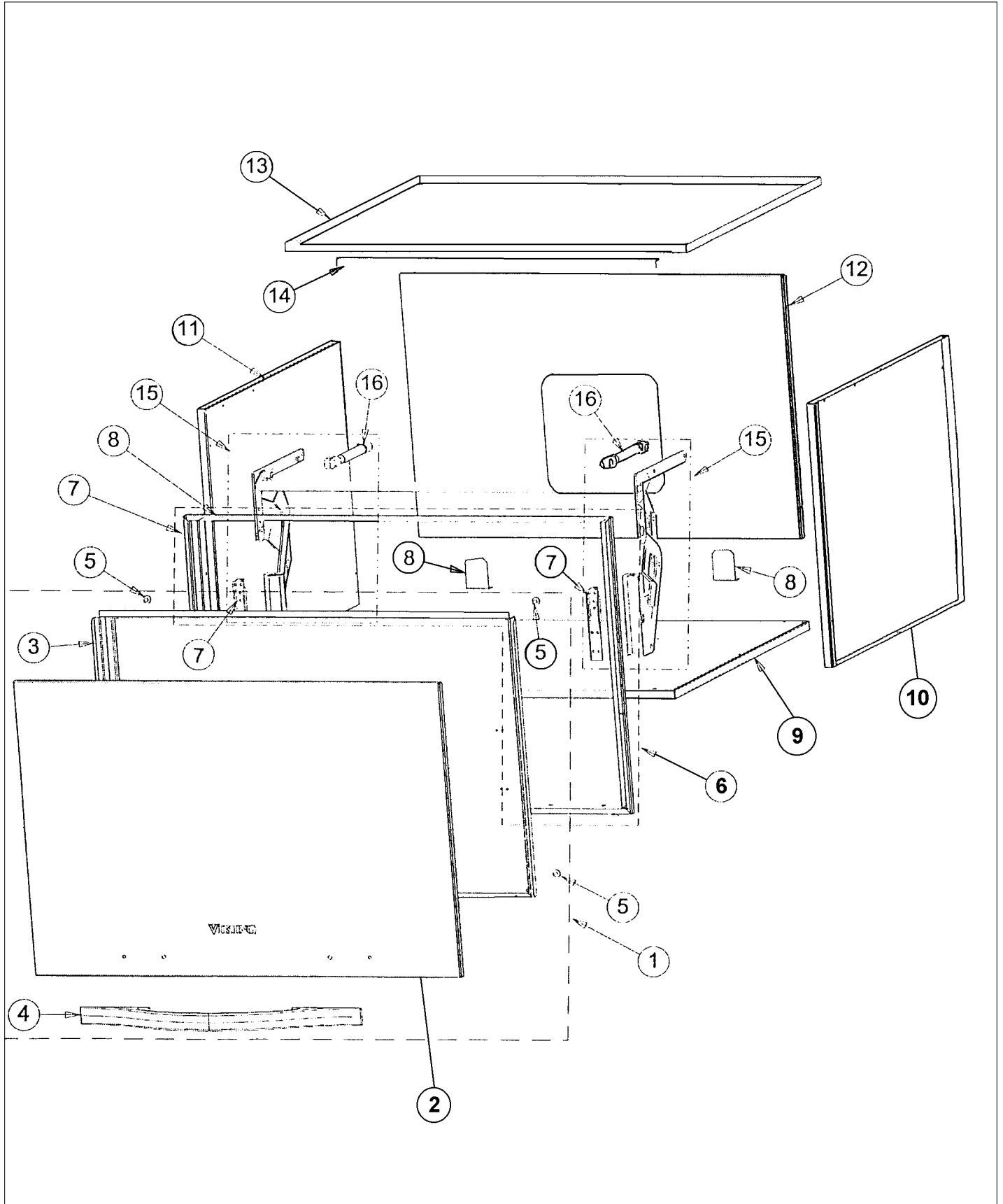


Item	Part No.	Name	Qty	Uom	NOTES
Not Shown	G3206086WHBR	COMPLETE DOOR ASSY - WHBT (BEFORE SERIAL # M11090105353)	1	EA	Not available online / Call for pricing and availability
Not Shown	G3207364BK	DSGN MWC 30"DOOR ASSY*BK*	1	EA	NO LONGER AVAILABLE, Not available online / Call for pricing and availability
Not Shown	G3207364BKBR	DSGN MWC 30"DOOR ASSY*BKBR*	1	EA	NO LONGER AVAILABLE, Not available online / Call for pricing and availability
Not Shown	G3207364BT	DSGN MWC 30"DOOR ASSY*BT*	1	EA	NO LONGER AVAILABLE, Not available online / Call for pricing and availability
Not Shown	G3207364BTBR	DSGN MWC 30"DOOR ASSY*BTBR*	1	EA	NO LONGER AVAILABLE, Not available online / Call for pricing and availability
Not Shown	G3207364GG	DSGN MWC 30"DOOR ASSY*GG*	1	EA	NO LONGER AVAILABLE, Not available online / Call for pricing and availability
Not Shown	G3207364GGBR	DSGN MWC 30"DOOR ASSY*GGBR*	1	EA	NO LONGER AVAILABLE, Not available online / Call for pricing and availability
Not Shown	G3207364SG	DSGN MWC 30"DOOR ASSY*SG*	1	EA	NO LONGER AVAILABLE, Not available online / Call for pricing and availability
Not Shown	G3207364SGBR	DSGN MWC 30"DOOR ASSY*SGBR*	1	EA	NO LONGER AVAILABLE, Not available online / Call for pricing and availability
Not Shown	G3207364SS	DSGN MWC 30"DOOR ASSY*SS*	1	EA	NO LONGER AVAILABLE
Not Shown	G3207364SSBR	DSGN MWC 30"DOOR ASSY*SSBR*	1	EA	NO LONGER AVAILABLE, Not available online / Call for pricing and availability



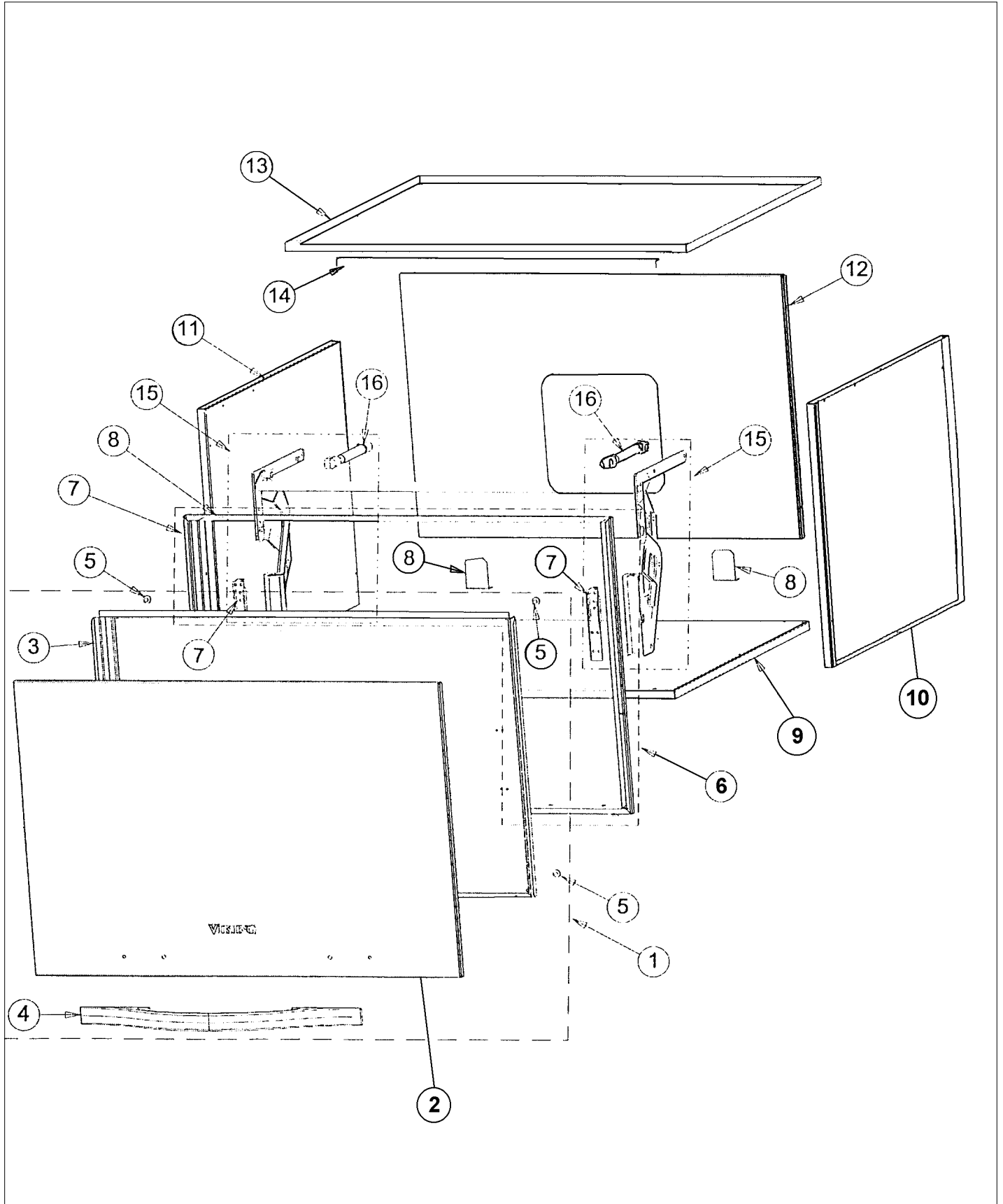


Item	Part No.	Name	Qty	Uom	NOTES
Not Shown	G3207364WH	DSGN MWC 30"DOOR ASSY*WH*	1	EA	NO LONGER AVAILABLE, Not available online / Call for pricing and availability
Not Shown	G3207364WHBR	DSGN MWC 30"DOOR ASSY*WHBR*	1	EA	NO LONGER AVAILABLE, Not available online / Call for pricing and availability
2	B9206023	DESIGN MC 30" OUTER DOOR PAN*SLKSCR	1	EA	NO LONGER AVAILABLE
Not Shown	B9207357	30" O/S DMWC DOOR*SILKSCREEN*	1	EA	NO LONGER AVAILABLE
Not Shown	C9206023BK	DESIGN MWC 30 OUTER DOOR*SILKSCREEN	1	EA	NO LONGER AVAILABLE, Not available online / Call for pricing and availability
Not Shown	C9206023BT	DESIGN MWC 30 OUTER DOOR*SILKSCREEN	1	EA	NO LONGER AVAILABLE, Not available online / Call for pricing and availability
Not Shown	C9206023GG	DESIGN MC 30" OUTER DOOR PANEL SLKSCR	1	EA	NO LONGER AVAILABLE
Not Shown	C9206023SG	DESIGN MWC 30 OUTER DOOR*SILKSCREEN	1	EA	NO LONGER AVAILABLE, Not available online / Call for pricing and availability
Not Shown	C9206023WH	DESIGN MWC 30 OUTER DOOR*SILKSCREEN	1	EA	NO LONGER AVAILABLE, Not available online / Call for pricing and availability
Not Shown	C9207357BK	O/S DOOR PANEL (DMWC100) *BK*SLKSCR	1	EA	NO LONGER AVAILABLE, Not available online / Call for pricing and availability
Not Shown	C9207357BT	O/S DOOR PANEL (DMWC100) *BT*SLKSCR	1	EA	NO LONGER AVAILABLE, Not available online / Call for pricing and availability
Not Shown	C9207357GG	O/S DOOR PANEL (DMWC100) *GG*SLKSCR	1	EA	NO LONGER AVAILABLE
Not Shown	C9207357SG	O/S DOOR PANEL (DMWC100) *SG*SLKSCR	1	EA	NO LONGER AVAILABLE, Not available online / Call for pricing and availability



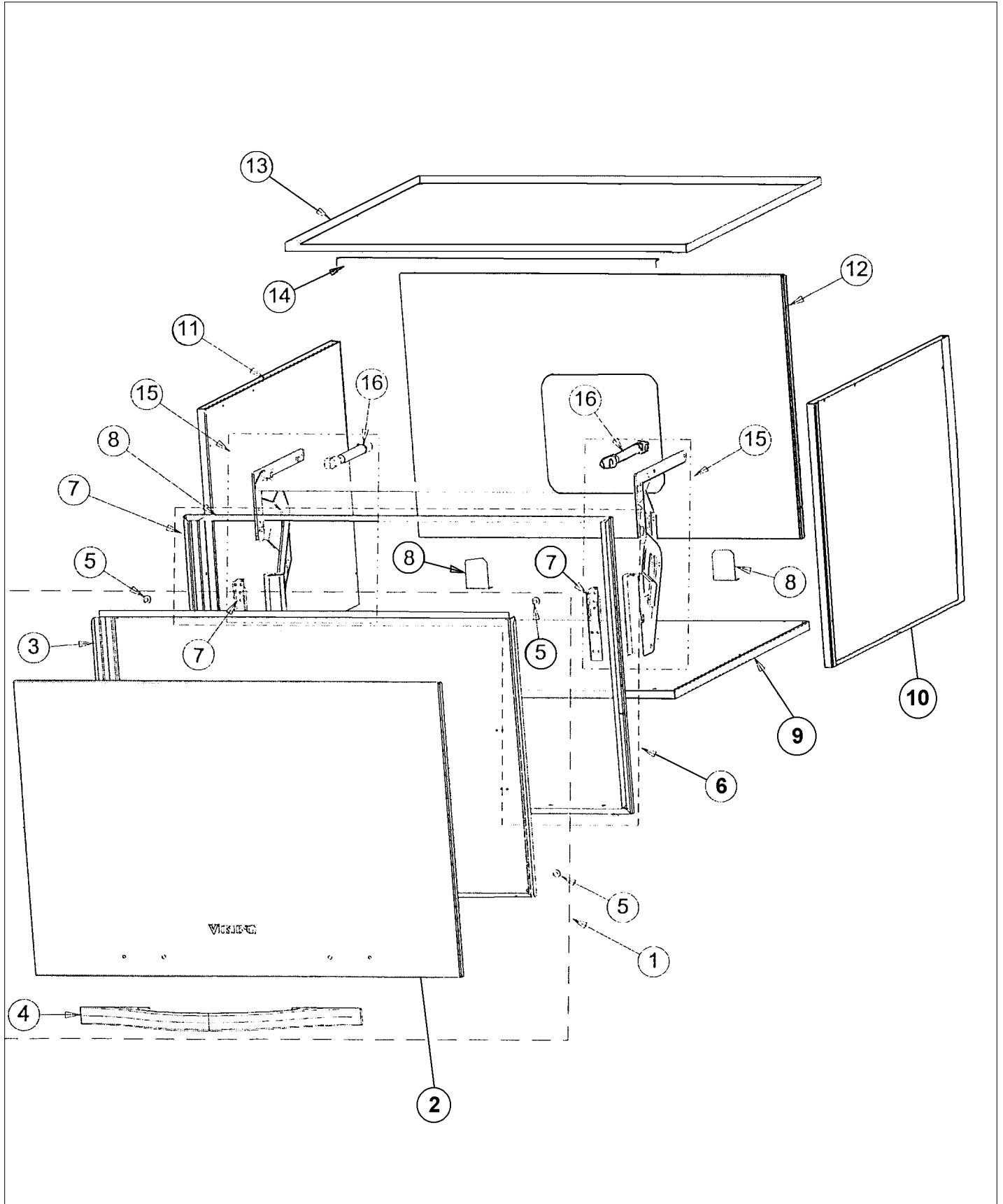


Item	Part No.	Name	Qty	Uom	NOTES
Not Shown	C9207357WH	O/S DOOR PANEL (DMWC100) *WH*SLKSCR	1	EA	NO LONGER AVAILABLE, Not available online / Call for pricing and availability
3	E9106024	30" DESIGN. MICROCHAM. INNER DOOR	1	EA	NO LONGER AVAILABLE, Not available online / Call for pricing and availability
Not Shown	E9107358	30" DESIGN. MICROCHAM. INNER DOOR	1	EA	NO LONGER AVAILABLE
4	PE030167	30" DOOR HANDLE	1	EA	
Not Shown	PE030089PVD	DOOR HANDLE 30" *BR* PVD	1	EA	NO LONGER AVAILABLE
5	PD040004	GROMMET BUMPER	1	EA	
6	G3006036SS	DESIGN MICRO-CHAMBER 30" TRIM ASSY	1	EA	NO LONGER AVAILABLE
Not Shown	G3007373SS	DESIGN MICRO-CHAMBER 30" TRIM ASSY	1	EA	NO LONGER AVAILABLE
Not Shown	G9006036BK	DESIGN MWC 30 TRIM ASSY *BK*	1	EA	NO LONGER AVAILABLE, Not available online / Call for pricing and availability
Not Shown	G9006036BT	DESIGN MWC 30 TRIM ASSY *BT*	1	EA	NO LONGER AVAILABLE, Not available online / Call for pricing and availability
Not Shown	G9006036GG	TRIM ASSEMBLY - GG (BEFORE SERIAL # M11090105353)	1	EA	Not available online / Call for pricing and availability
Not Shown	G9006036SG	DESIGN MWC 30 TRIM ASSY *SG*	1	EA	NO LONGER AVAILABLE, Not available online / Call for pricing and availability
Not Shown	G9006036WH	DESIGN MWC 30 TRIM ASSY *WH*	1	EA	NO LONGER AVAILABLE, Not available online / Call for pricing and availability
Not Shown	G9007373BK	DESIGN MWC 30" TRIM ASSY *BK*	1	EA	NO LONGER AVAILABLE, Not available online / Call for pricing and availability





Item	Part No.	Name	Qty	Uom	NOTES
Not Shown	G9007373BT	DESIGN MWC 30" TRIM ASSY *BT*	1	EA	NO LONGER AVAILABLE, Not available online / Call for pricing and availability
Not Shown	G9007373GG	DESIGN MWC 30" TRIM ASSY *GG*	1	EA	NO LONGER AVAILABLE, Not available online / Call for pricing and availability
Not Shown	G9007373SG	DESIGN MWC 30" TRIM ASSY *SG*	1	EA	NO LONGER AVAILABLE, Not available online / Call for pricing and availability
Not Shown	G9007373WH	DESIGN MWC 30" TRIM ASSY *WH*	1	EA	NO LONGER AVAILABLE, Not available online / Call for pricing and availability
7	PW130024	DOOR HINGE MOUNTING BRACKET	1	EA	Not available online / Call for pricing and availability
8	B2003121	ADJUSTMENT BRKT (VMWC)	1	EA	NO LONGER AVAILABLE, Not available online / Call for pricing and availability
9	B2006079	DESIGN MICRO-CHAMBER 30" BTM (DMWC1	1	EA	NO LONGER AVAILABLE, Not available online / Call for pricing and availability
10	B2006080	DESIGN M C 27" SIDE RH (DMWC170/100	1	EA	NO LONGER AVAILABLE, Not available online / Call for pricing and availability
11	B2006081	DESIGN M C 27" SIDE LH (DMWC170/100	1	EA	NO LONGER AVAILABLE, Not available online / Call for pricing and availability
12	B2006083	DESIGN MICRO-CHAMBER 30" BACK (DMWC	1	EA	NO LONGER AVAILABLE, Not available online / Call for pricing and availability
13	B2006085	DESIGN MICRO-CHAMBER 30" TOP (DMWC1	1	EA	NO LONGER AVAILABLE, Not available online / Call for pricing and availability





Item	Part No.	Name	Qty	Uom	NOTES
14	B2003135	TOP DOOR STOP - 27" (VMWC)	1	EA	NO LONGER AVAILABLE, Not available online / Call for pricing and availability
15	PC020099	LATERAL HINGE LH (VMWC/DMWC)	1	EA	
PC020100	023663-000	UP-SWING HINGE (VMWC101)	1	EA	
16	010955-000	GREY 380 N PISTON (VMWC/DMWC)	1	EA	
NI	PD020087	10 X 1/2 PAN PH. TEK ZINC	1	EA	
NI	PD020032	SRW-8(A)X3/8"PH.WFR HD 7/16DIA*NICL	1	EA	
NI	PD010019	BLT-1/4-20X3/8"HEX WASHER SERATED	1	EA	
NI	PD020002	10 X 1/2 PH.TR.HD.SMS.	1	EA	
NI	PD020009	10 X 1 PH. HD. PAN HD. SMS	1	EA	
NI	PF20020	DMWC 100 PACKED ENV.	1	EA	Not available online / Call for pricing and availability



Appendix A:Pages Index

DMWC 100 ..... 1





Appendix B:Parts Index

010955-000	1	G3207364BTBR	1
023663-000	1	G3207364GG	1
B2003121	1	G3207364GGBR	1
B2003135	1	G3207364SG	1
B2006079	1	G3207364SGBR	1
B2006080	1	G3207364SS	1
B2006081	1	G3207364SSBR	1
B2006083	1	G3207364WH	1
B2006085	1	G3207364WHBR	1
B9206023	1	G9006036BK	1
B9207357	1	G9006036BT	1
C9206023BK	1	G9006036GG	1
C9206023BT	1	G9006036SG	1
C9206023GG	1	G9006036WH	1
C9206023SG	1	G9007373BK	1
C9206023WH	1	G9007373BT	1
C9207357BK	1	G9007373GG	1
C9207357BT	1	G9007373SG	1
C9207357GG	1	G9007373WH	1
C9207357SG	1	PC020099	1
C9207357WH	1	PD010019	1
E9106024	1	PD020002	1
E9107358	1	PD020009	1
G3006036SS	1	PD020032	1
G3007373SS	1	PD020087	1
G3206086	1	PD040004	1
G3206086BK	1	PE030089PVD	1
G3206086BKBR	1	PE030167	1
G3206086BT	1	PF20020	1
G3206086BTBR	1	PW130024	1
G3206086GG	1		
G3206086GGBR	1		
G3206086SG	1		
G3206086SGBR	1		
G3206086SSBR	1		
G3206086WH	1		
G3206086WHBR	1		
G3207364BK	1		
G3207364BKBR	1		
G3207364BT	1		