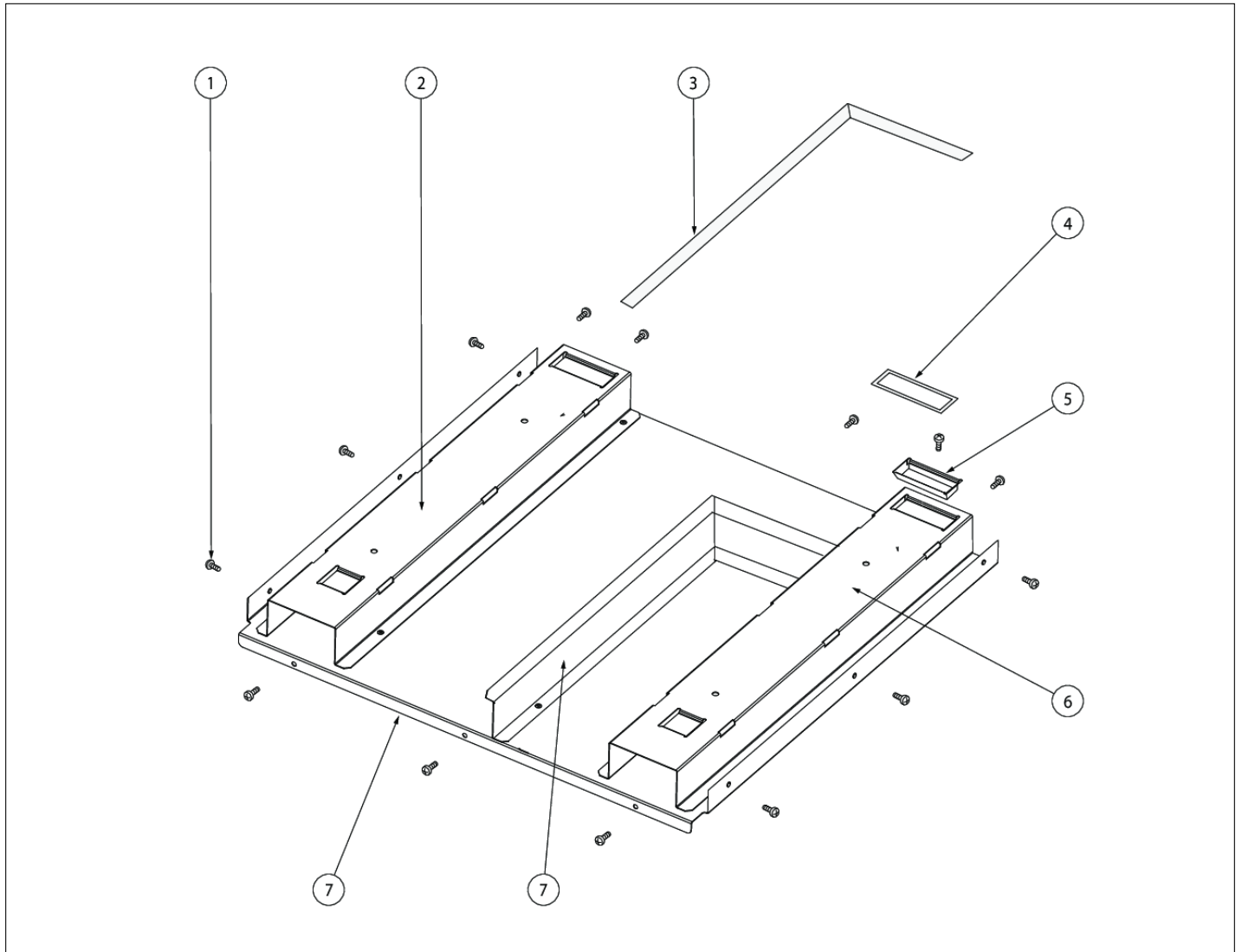


DMOD241

BOTTOM COVER	1
CABINET ASSEMBLY	2
CONTROL PANEL	3
DOOR ASSEMBLY	4
DRAWER ASSEMBLY	5
MISC	6
Appendix A:Pages Index	A
Appendix B:Parts Index	B

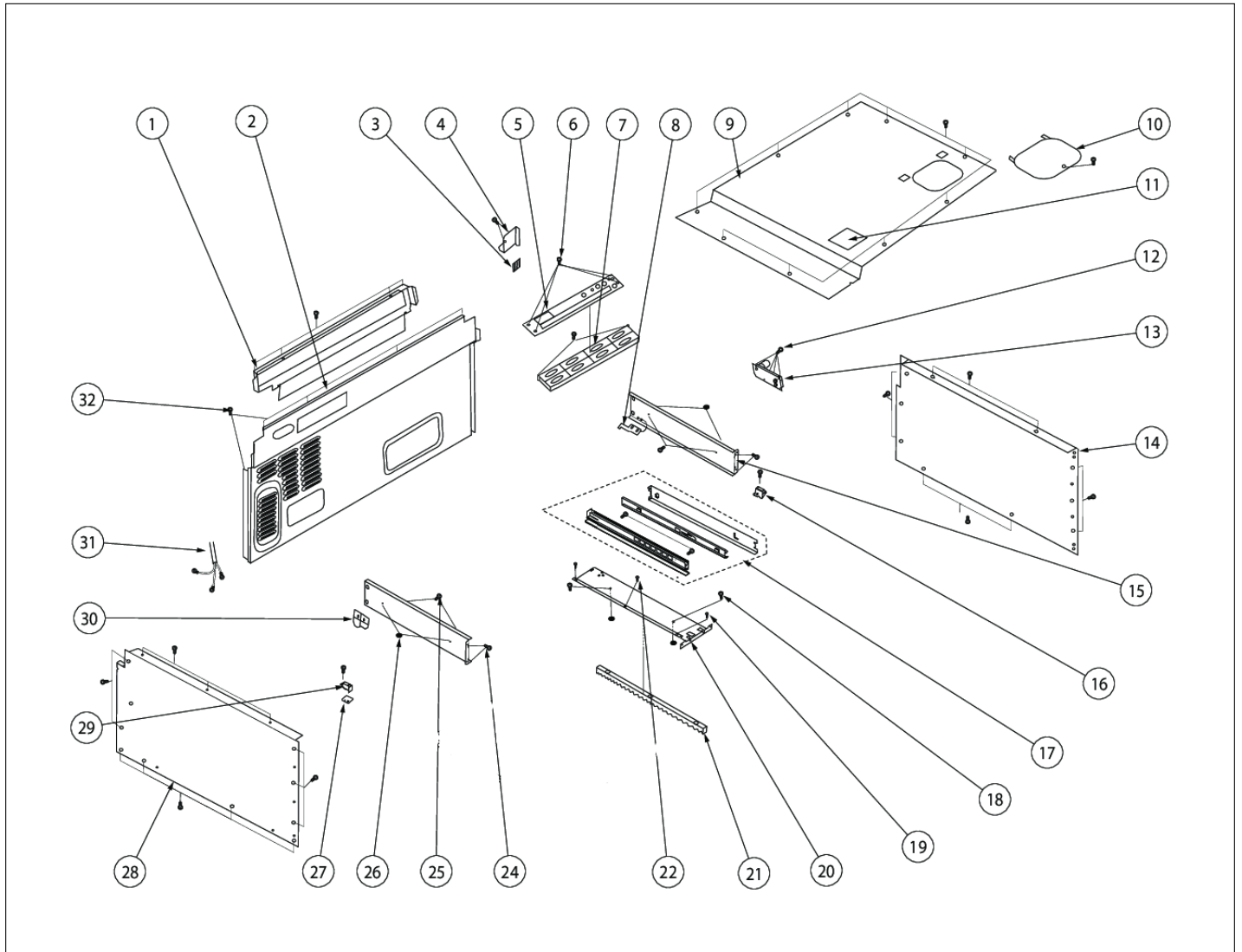
BOTTOM COVER





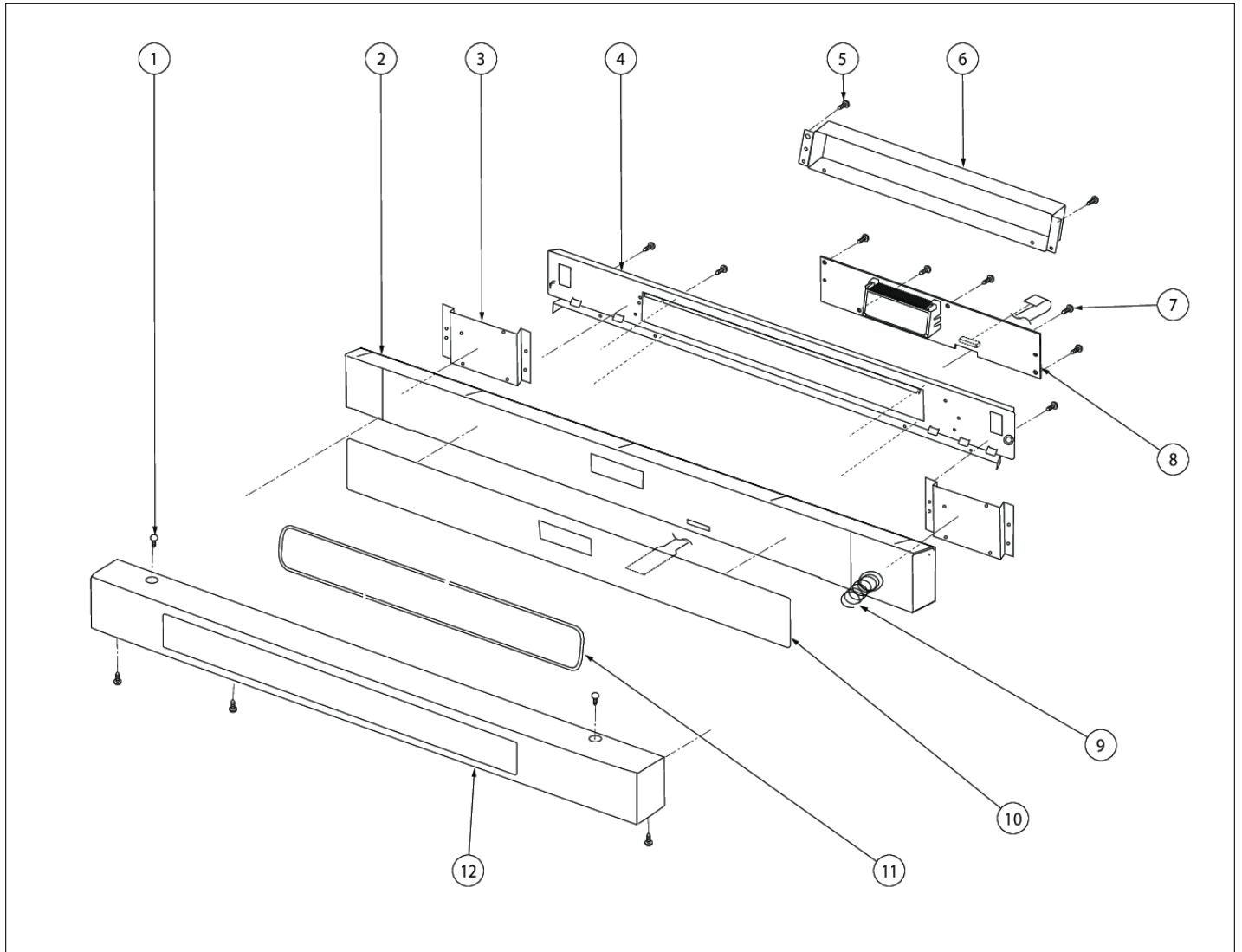
Item	Part No.	Name	Qty	Uom	NOTES
1	011843-000	SCREW : 4MM X 12MM	14	EA	
2	011882-000	AIR GUIDE - LH	1	EA	
3	011876-000	BOTTOM CUSHION A	1	EA	
4	011878-000	BOTTOM CUSHION B	1	EA	
5	011879-000	EXHAUST GUIDE	1	EA	
6	011880-000	AIR GUIDE - RH	1	EA	
7	011883-000	PARTITION ANGLE	1	EA	
8	011881-000	BOTTOM COVER	1	EA	

CABINET ASSEMBLY



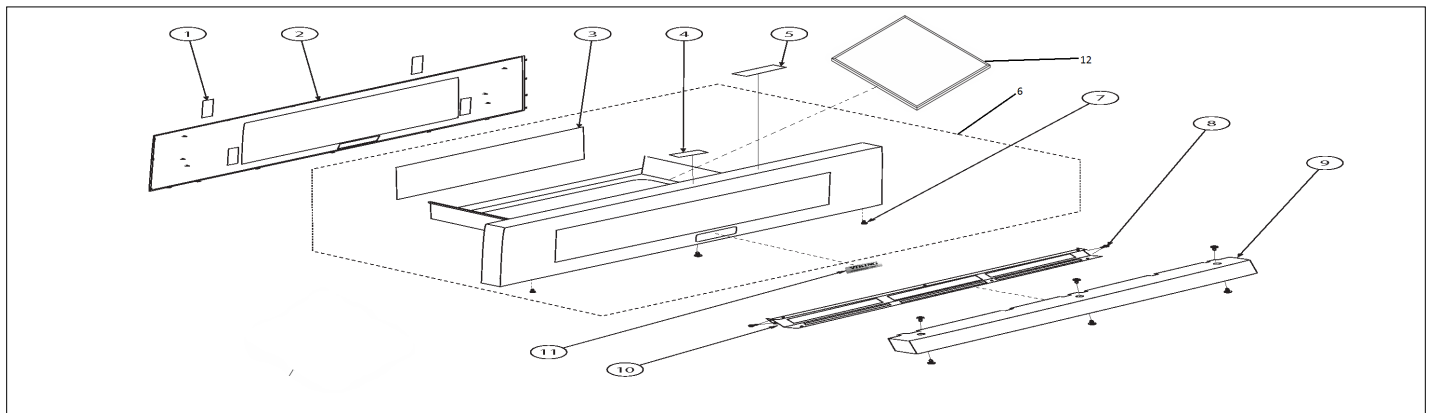
Item	Part No.	Name	Qty	Uom	NOTES
1	011867-000	EXHAUST DUCT A	1	EA	
2	011870-000	BACK PLATE	1	EA	
3	011869-000	CUSHION	1	EA	
4	011868-000	AIR COVER	1	EA	
5	011901-000	POWER SUPPLY	1	EA	
6	011900-000	SCREW : 4MM X 8MM	1	EA	
7	011871-000	SWITCH PSU HOLDER	1	EA	
8	012000-000	ACTUATOR R	1	EA	
9	011873-000	TOP COVER	1	EA	
10	011874-000	COVER	1	EA	
11	011872-000	SCHEMATIC	1	EA	
12	005228-000	SCREW : 4 MM X 8 MM	4	EA	NO LONGER AVAILABLE, Not available online / Call for pricing and availability
13	012013-000	LATCH, L	1	EA	
14	011875-000	SIDE CABINET - RH	1	EA	
15	011847-000	CONTROL PANEL ANGLE	2	EA	
16	011908-000	SWITCH ANGLE R	1	EA	
17	011996-000	SLIDE RAIL	1	EA	
18	011994-000	SCREW	2	EA	
19	PM120159	SCREW	2	EA	
20	012007-000	DOOR SUPPORT ANGLE B	1	EA	
21	012008-000	RACK GEAR	2	EA	
22	012006-000	SPECIAL SCREW	1	EA	
24	PM120146	SCREW : 4MM X 12MM	2	EA	
25	011866-000	SCREW : 4MM X 8MM	2	EA	
26	011999-000	CAP NUT	6	EA	
27	011909-000	SWITCH ANGLE L	2	EA	
28	011884-000	SIDE CABINET - LH	1	EA	
29	PM100019	INTERLOCK SWITCH	5	EA	
30	012011-000	ACTUATOR L	1	EA	
31	004703-000	POWER SUPPLY CORD	1	EA	
32	PM120146	SCREW : 4MM X 12MM	18	EA	

CONTROL PANEL



Item	Part No.	Name	Qty	Uom	NOTES
1	011855-000	DECO SCREW	5	EA	
2	028572-000	CONTROL PANEL FRAME ASSY	1	EA	
3	011851-000	CONTROL PANEL MOUNTING ANGLE	2	EA	
4	011847-000	CONTROL PANEL ANGLE	1	EA	
5	011843-000	SCREW : 4MM X 12MM	8	EA	
6	022320-000	SPRING CLIP, FIXING HEATING ELEMENT	1	EA	
7	011900-000	SCREW : 4MM X 8MM	4	EA	
8	011846-000	CONTROL UNIT	1	EA	
9	005165-000	HANDLE SPRING	1	EA	
10	011856-000	KEY UNIT	1	EA	
11	005142-000	CUSHION	2	EA	
12	011858-000	CONTROL PANEL DECO	1	EA	

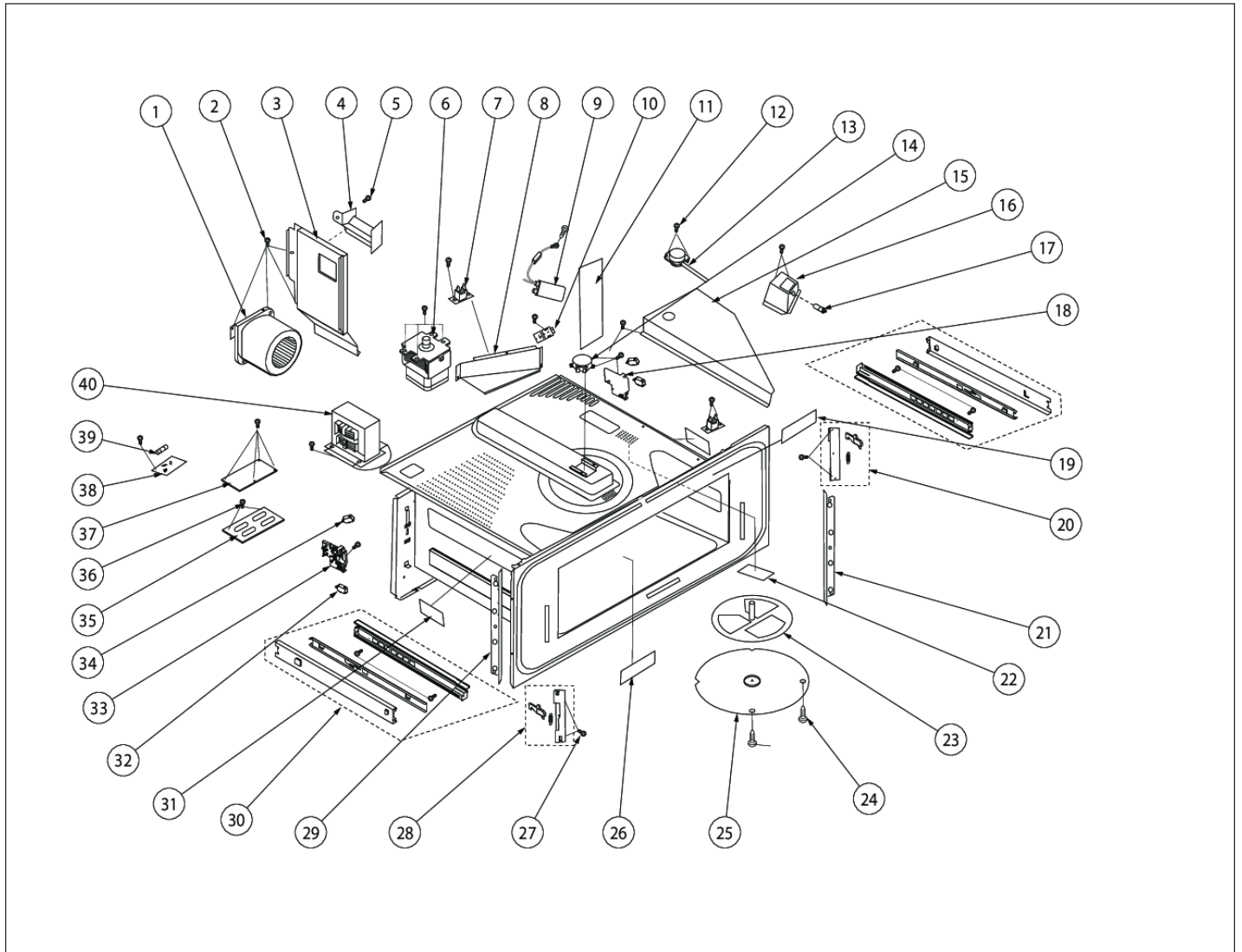
DOOR ASSEMBLY



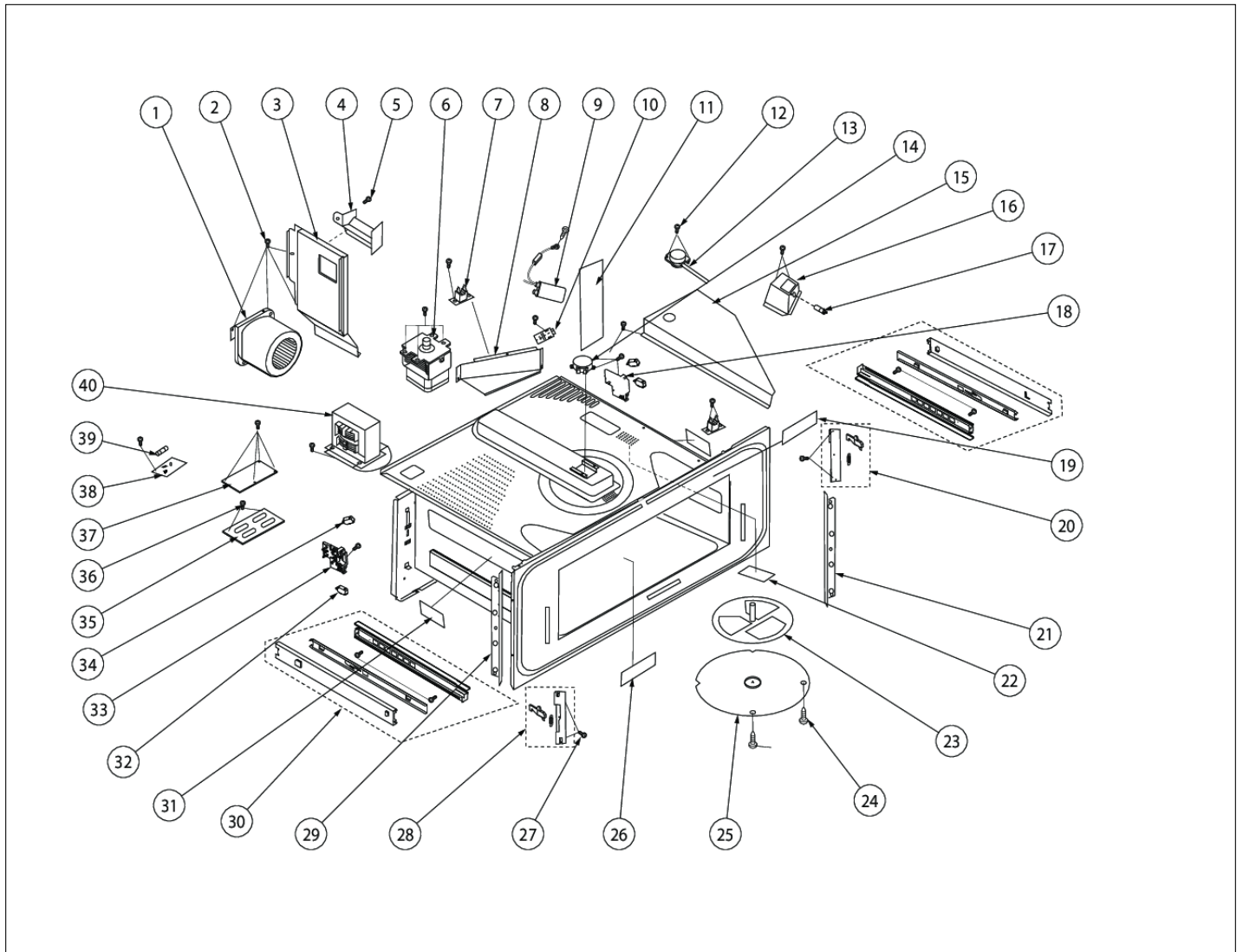


Item	Part No.	Name	Qty	Uom	NOTES
1	012020-000	DOOR SUPPORT COVER	2	EA	
2	012021-000	CHOKE COVER	1	EA	
3	012022-000	SEALER FILM	1	EA	
4	012023-000	MENU LABEL	1	EA	
5	005209-000	USER CAUTION LABEL [ENGLISH]	1	EA	Not available online / Call for pricing and availability
6	012025-000	DOOR ASSY	1	EA	
7	011855-000	DECO SCREW	9	EA	
8	PM120146	SCREW : 4MM X 12MM	2	EA	
9	012029-000	LOUVER	1	EA	
10	012027-000	LOUVER ANGLE	1	EA	
11	012026-000	BADGE	1	EA	
12	012010-000	OVEN TRAY ASSY	1	EA	

DRAWER ASSEMBLY

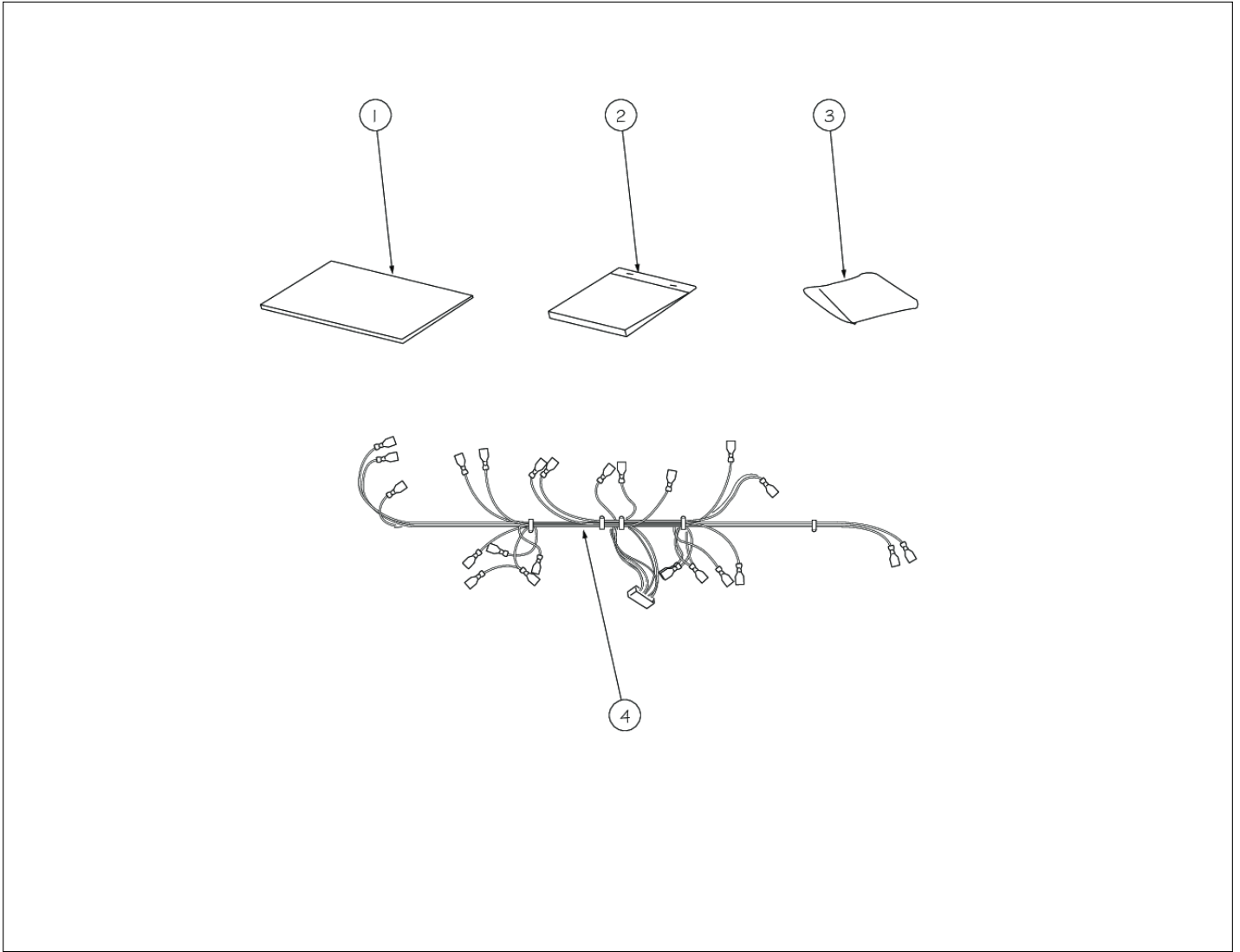


Item	Part No.	Name	Qty	Uom	NOTES
1	054876-000	FAN MOTOR	1	EA	
2	PM120146	SCREW : 4MM X 12MM	13	EA	
3	011968-000	FAN MOTOR ANGLE	1	EA	
4	011969-000	MAGNETRON AIR GUIDE	1	EA	
6	004835-000	MAGNETRON	1	EA	
7	011899-000	THERMAL CUT - OUT	2	EA	
8	011970-000	MAGNETRON DUCT	1	EA	Not available online / Call for pricing and availability
9	011902-000	HVC ASSY	1	EA	
10	011971-000	HVC BAND	1	EA	
11	011972-000	EXHAUST DUCT B	1	EA	
12	005228-000	SCREW : 4 MM X 8 MM	2	EA	NO LONGER AVAILABLE, Not available online / Call for pricing and availability
13	011905-000	SENSOR ASSY	1	EA	
14	011903-000	STIRRER MOTOR	1	EA	
15	011974-000	SENSOR DUCT	1	EA	
16	011973-000	OVEN LAMP ANGLE	1	EA	
17	011907-000	OVEN LAMP/SOCKET	1	EA	
18	011975-000	LATCH HOOK R	1	EA	
19	PM120021	USER CAUTION LABEL	1	EA	NO LONGER AVAILABLE
20	011995-000	LATCH ANGLE ASSY R	1	EA	
21	012001-000	SIDE ANGLE R	1	EA	
22	012002-000	LAMP FILTER	1	EA	
23	012003-000	STIRRER FAN ASSY	1	EA	
24	012005-000	CANOE CLIP	3	EA	
25	022500-000	STIRRER COVER ASSEMBLY	1	EA	
26	012012-000	BIK LABEL	1	EA	
27	011904-000	SCREW / WASHER	4	EA	
28	012013-000	LATCH, L	1	EA	
29	011894-000	LATCH HOOK L	1	EA	
30	011996-000	SLIDE RAIL	2	EA	



Item	Part No.	Name	Qty	Uom	NOTES
31	011992-000	MONITOR CAUTION LABEL	2	EA	
32	005209-000	USER CAUTION LABEL [ENGLISH]	1	EA	Not available online / Call for pricing and availability
33	011894-000	LATCH HOOK L	1	EA	
33	012016-000	SWITCH LEVER L	1	EA	
34	PM100019	INTERLOCK SWITCH	1	EA	
35	012017-000	POWER SUPPLY UNIT HOLDER	1	EA	
36	011900-000	SCREW : 4MM X 8MM	2	EA	
37	011892-000	POWER SUPPLY	2	EA	
38	012019-000	NOISE FILTER UNIT	1	EA	
39	PM100075	Monitor and Scondary Interlock Switch	1	EA	
40	011896-000	TRANSFORMER	1	EA	

MISC





Item	Part No.	Name	Qty	Uom	NOTES
1	PM120071	OPERATION MANUAL	1	EA	Not available online / Call for pricing and availability
2	022178-000	INSTALLATION INSTRUCTIONS	1	EA	Not available online / Call for pricing and availability
3	005210-000	SCREW: 4MM x 8MM	4	EA	NO LONGER AVAILABLE, Not available online / Call for pricing and availability
4	011910-000	HARNESS ASSY	1	EA	



Appendix A:Pages Index

BOTTOM COVER 1
CABINET ASSEMBLY2
CONTROL PANEL3
DOOR ASSEMBLY 4
DRAWER ASSEMBLY 5
MISC 6



Appendix B:Parts Index

004703-000	2	011904-000	5
004835-000	5	011905-000	5
005142-000	3	011907-000	5
005165-000	3	011908-000	2
005209-000	4, 5	011909-000	2
005210-000	6	011910-000	6
005228-000	2, 5	011968-000	5
011843-000	1, 3	011969-000	5
011846-000	3	011970-000	5
011847-000	2, 3	011971-000	5
011851-000	3	011972-000	5
011855-000	3, 4	011973-000	5
011856-000	3	011974-000	5
011858-000	3	011975-000	5
011866-000	2	011992-000	5
011867-000	2	011994-000	2
011868-000	2	011995-000	5
011869-000	2	011996-000	2, 5
011870-000	2	011999-000	2
011871-000	2	012000-000	2
011872-000	2	012001-000	5
011873-000	2	012002-000	5
011874-000	2	012003-000	5
011875-000	2	012005-000	5
011876-000	1	012006-000	2
011878-000	1	012007-000	2
011879-000	1	012008-000	2
011880-000	1	012010-000	4
011881-000	1	012011-000	2
011882-000	1	012012-000	5
011883-000	1	012013-000	2, 5
011884-000	2	012016-000	5
011892-000	5	012017-000	5
011894-000	5, 5	012019-000	5
011896-000	5	012020-000	4
011899-000	5	012021-000	4
011900-000	2, 3, 5	012022-000	4
011901-000	2	012023-000	4
011902-000	5	012025-000	4
011903-000	5	012026-000	4
		012027-000	4



012029-000	4
022178-000	6
022320-000	3
022500-000	5
028572-000	3
054876-000	5
PM100019	2, 5
PM100075	5
PM120021	5
PM120071	6
PM120146	2, 2, 4, 5
PM120159	2