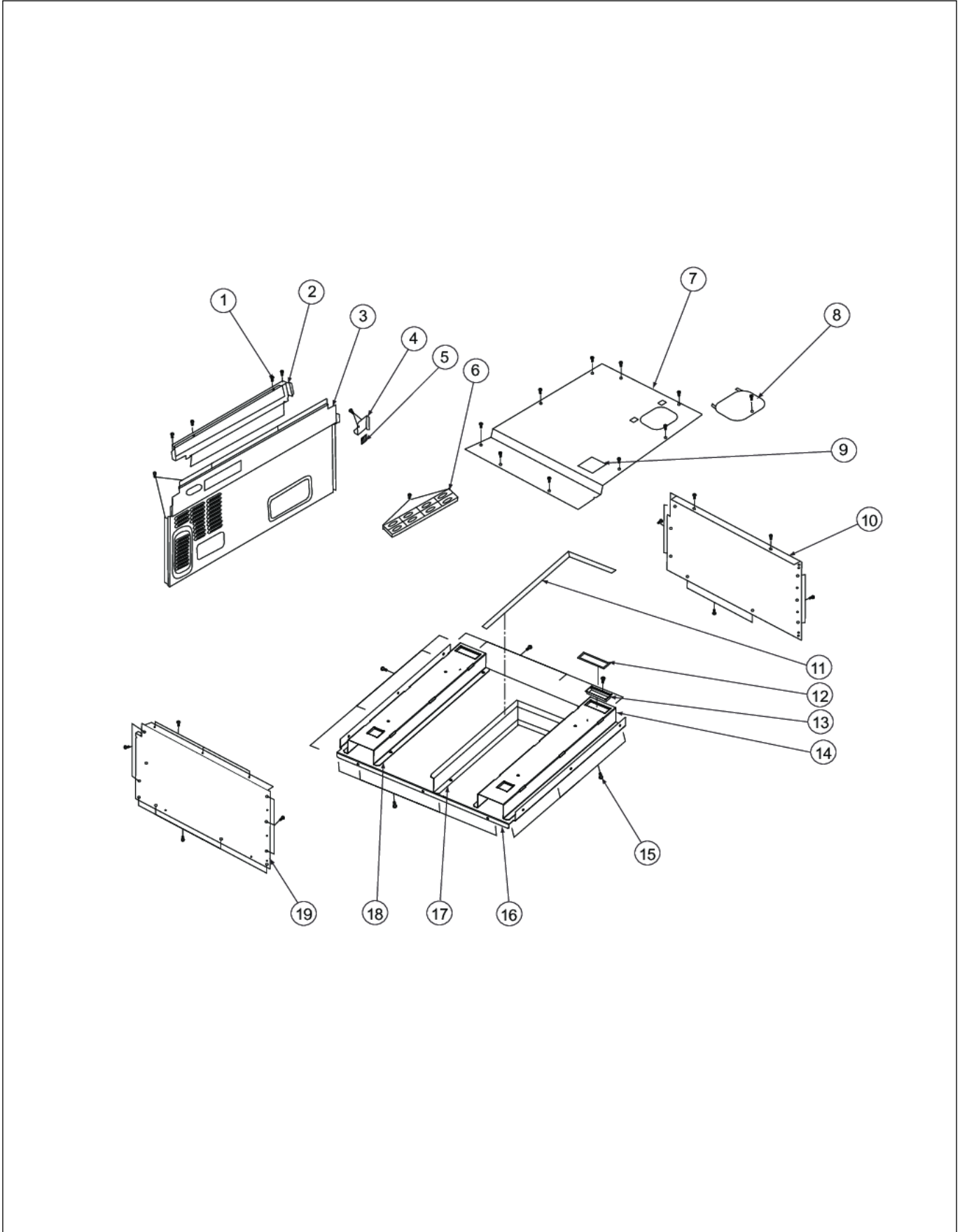


DMOD240SS

CABINET AREA	1
CONTROL AREA	2
DRAWER ASSEMBLY	3
ELECTRIC COMPONENTS	4
OVEN CAVITY AREA	5
Appendix A:Pages Index	A
Appendix B:Parts Index	B

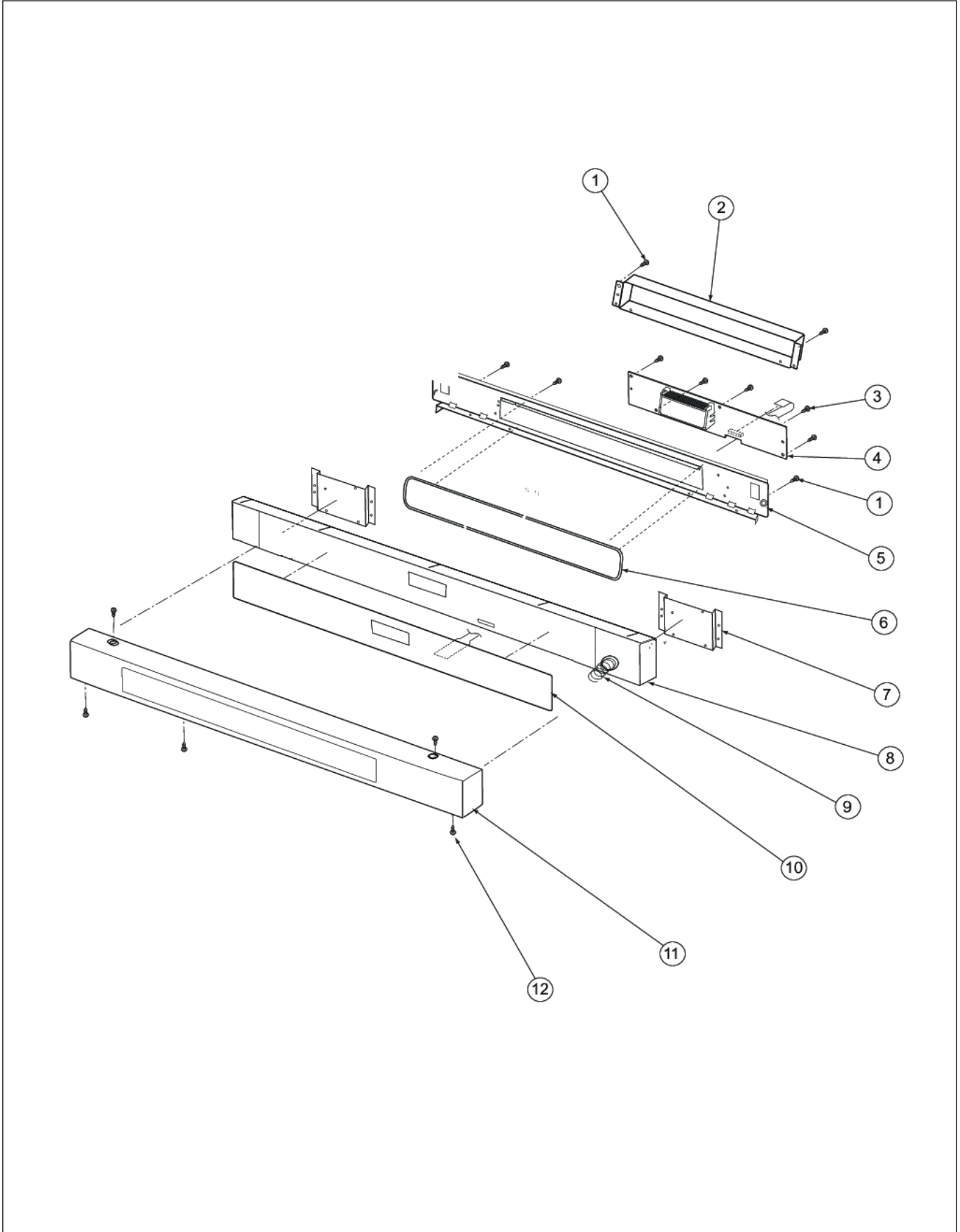
CABINET AREA





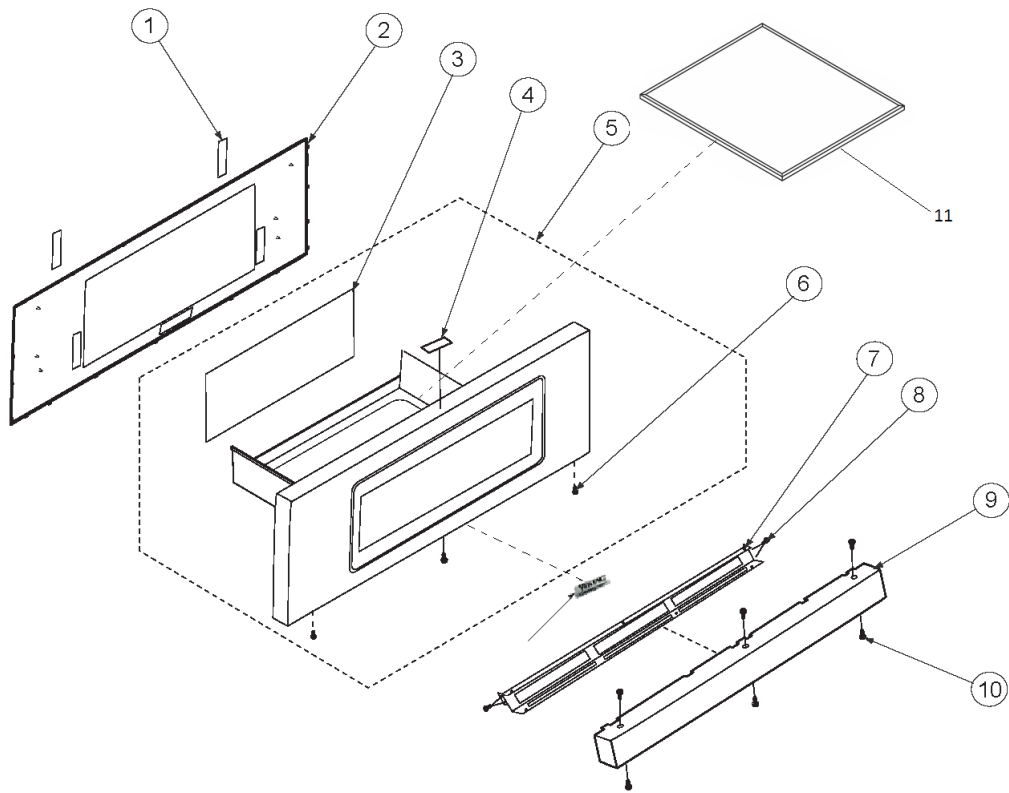
Item	Part No.	Name	Qty	Uom	NOTES
1	011843-000	SCREW : 4MM X 12MM	79	EA	
2	011867-000	EXHAUST DUCT A	1	EA	
3	011870-000	BACK PLATE	1	EA	
4	011868-000	AIR COVER	1	EA	
5	011869-000	CUSHION	1	EA	
6	011871-000	SWITCH PSU HOLDER	1	EA	
7	011873-000	TOP COVER	1	EA	
8	011874-000	COVER	1	EA	
9	011872-000	SCHEMATIC	1	EA	
10	011875-000	SIDE CABINET - RH	1	EA	
11	011876-000	BOTTOM CUSHION A	1	EA	
12	011878-000	BOTTOM CUSHION B	1	EA	
13	011879-000	EXHAUST GUIDE	1	EA	
14	011880-000	AIR GUIDE - RH	1	EA	
15	011843-000	SCREW : 4MM X 12MM	14	EA	
16	011881-000	BOTTOM COVER	1	EA	
17	011883-000	PARTITION ANGLE	1	EA	
18	011882-000	AIR GUIDE - LH	1	EA	
19	011884-000	SIDE CABINET - LH	1	EA	

CONTROL AREA



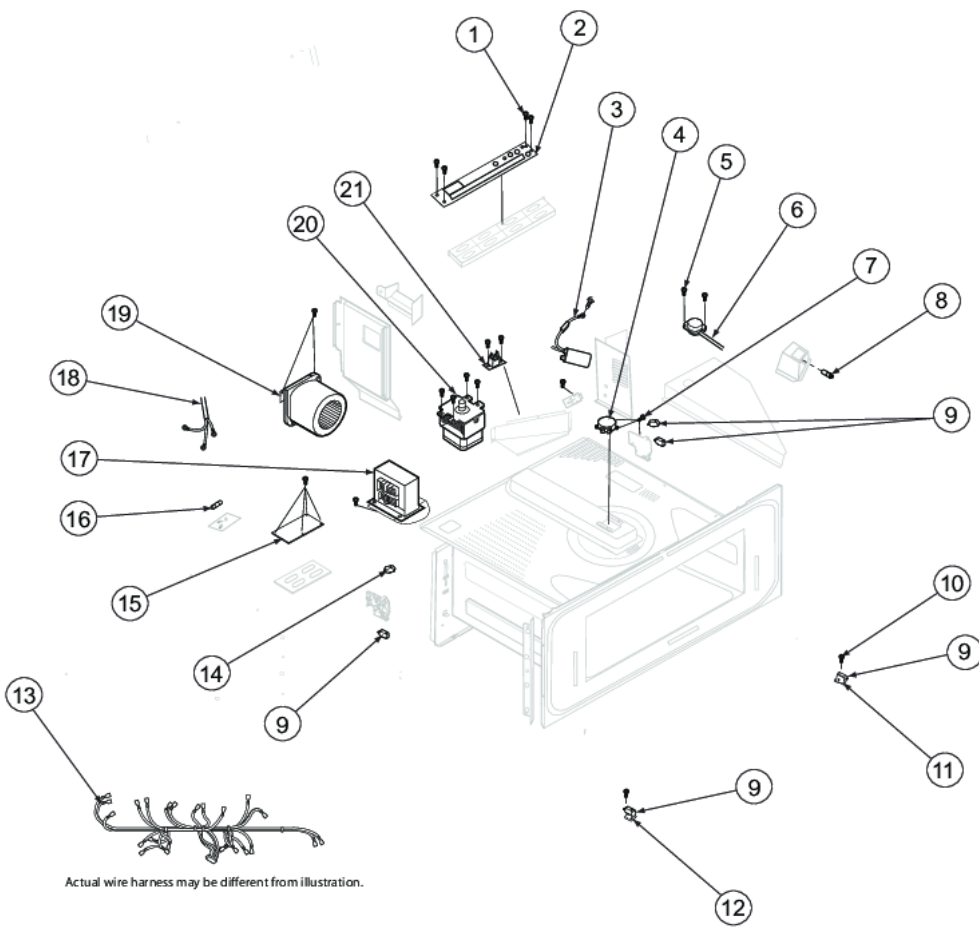
Item	Part No.	Name	Qty	Uom	NOTES
1	011843-000	SCREW : 4MM X 12MM	5	EA	
2	011844-000	CONTROL PANEL COVER	1	EA	
3	011900-000	SCREW : 4MM X 8MM	5	EA	
4	011846-000	CONTROL UNIT	1	EA	
5	011847-000	CONTROL PANEL ANGLE	1	EA	
6	011852-000	CUSHION	2	EA	
7	011851-000	CONTROL PANEL MOUNTING ANGLE	2	EA	
8	028572-000	CONTROL PANEL FRAME ASSY	1	EA	
9	011854-000	SPRING	1	EA	
10	011856-000	KEY UNIT	1	EA	
11	011858-000	CONTROL PANEL DECO	1	EA	
12	011855-000	DECO SCREW	5	EA	

DRAWER ASSEMBLY



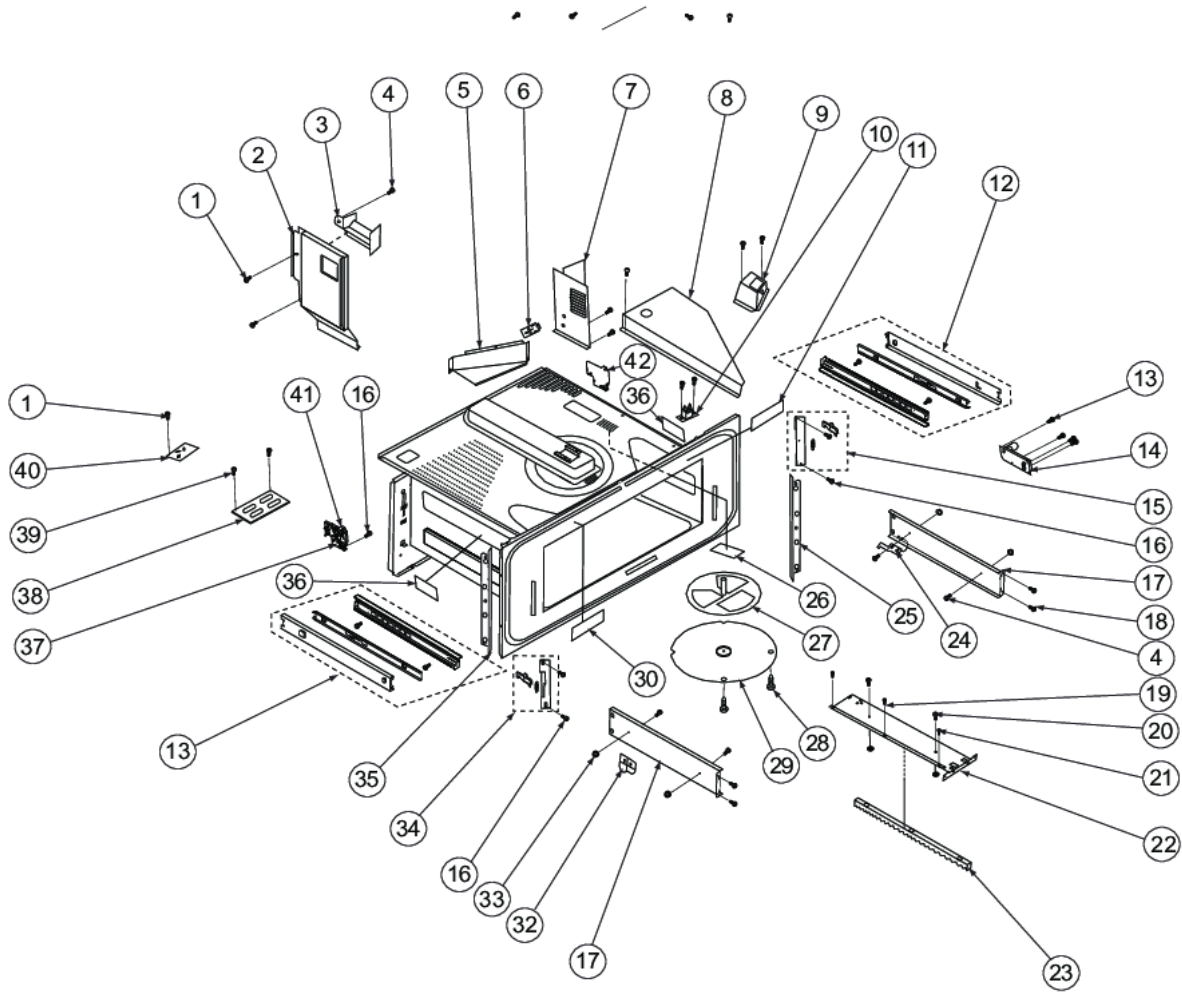
Item	Part No.	Name	Qty	Uom	NOTES
1	012020-000	DOOR SUPPORT COVER	2	EA	
2	012021-000	CHOKE COVER	1	EA	
3	012022-000	SEALER FILM	1	EA	
4	012023-000	MENU LABEL	1	EA	
5	012025-000	DOOR ASSY	1	EA	
Not Shown	NOTE	(DESIGNER DOOR)		EA	
6	011855-000	DECO SCREW	3	EA	
7	012027-000	LOUVER ANGLE	1	EA	
8	011843-000	SCREW : 4MM X 12MM	4	EA	
9	013817-000	LOUVER	1	EA	
10	011855-000	DECO SCREW	6	EA	
11	012026-000	BADGE	1	EA	
12	012010-000	OVEN TRAY ASSY	1	EA	

ELECTRIC COMPONENTS

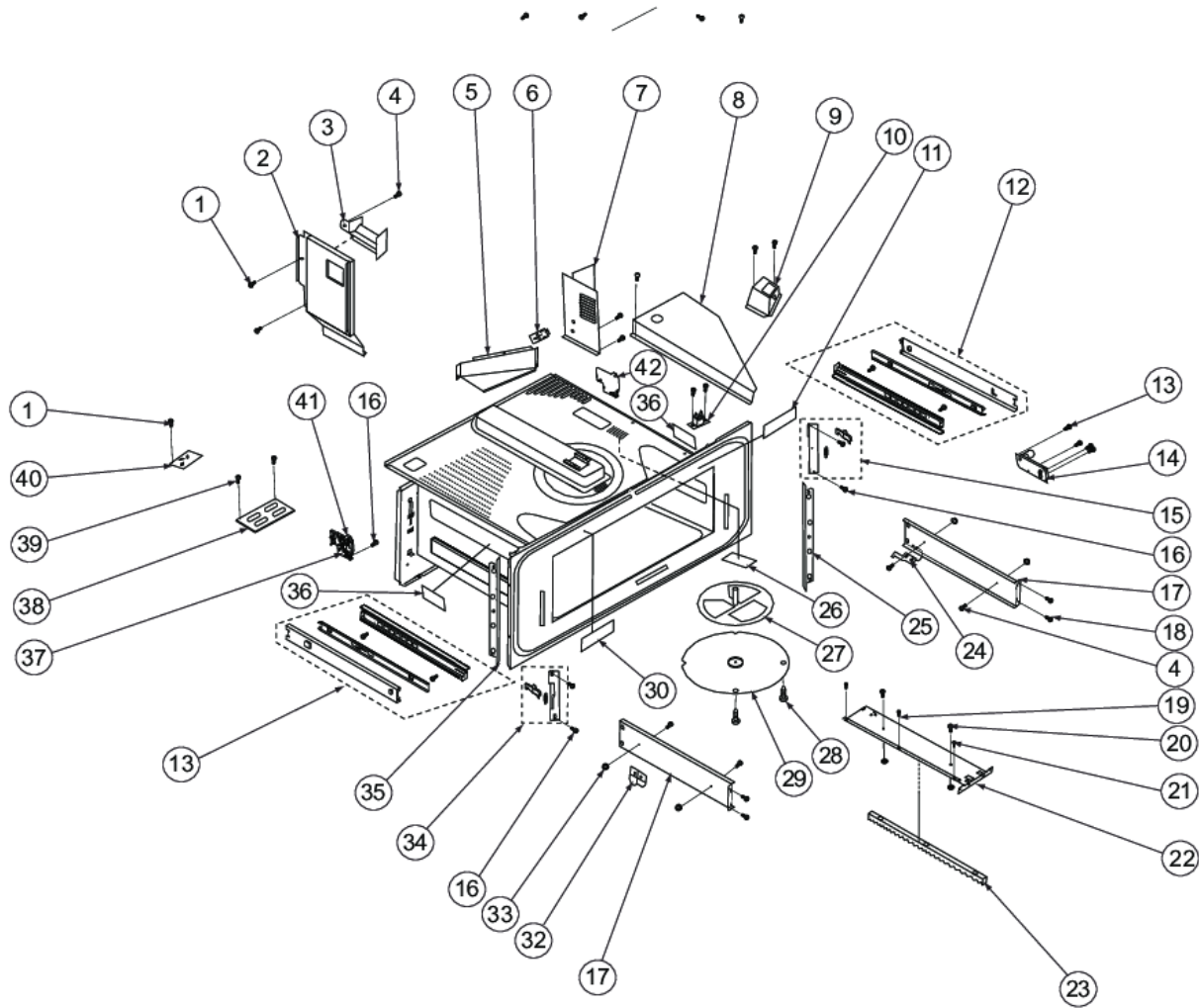


Item	Part No.	Name	Qty	Uom	NOTES
1	011900-000	SCREW : 4MM X 8MM	4	EA	
2	011901-000	POWER SUPPLY	1	EA	
3	011902-000	HVC ASSY	1	EA	
4	011903-000	STIRRER MOTOR	1	EA	
5	011898-000	SCREW	4	EA	
6	011905-000	SENSOR ASSY	1	EA	
7	011904-000	SCREW / WASHER	6	EA	
8	011907-000	OVEN LAMP/SOCKET	1	EA	
9	PM100019	INTERLOCK SWITCH	5	EA	
10	011843-000	SCREW : 4MM X 12MM	79	EA	
11	011908-000	SWITCH ANGLE R	1	EA	
12	011909-000	SWITCH ANGLE L	2	EA	
13	011910-000	HARNESS ASSY	1	EA	
14	011894-000	LATCH HOOK L	1	EA	
15	011892-000	POWER SUPPLY	2	EA	
16	N/A	FUSE - SEE P/N 011890-000	1	EA	
17	011896-000	TRANSFORMER	1	EA	
18	011888-000	POWER SUPPLY CORD	1	EA	
19	054876-000	FAN MOTOR	1	EA	
20	004835-000	MAGNETRON	1	EA	
21	011899-000	THERMAL CUT - OUT	2	EA	
NI	PM100075	Monitor and Scodary Interlock Switch	1	EA	

OVEN CAVITY AREA



Item	Part No.	Name	Qty	Uom	NOTES
1	011843-000	SCREW : 4MM X 12MM	79	EA	
2	011968-000	FAN MOTOR ANGLE	1	EA	
3	011969-000	MAGNETRON AIR GUIDE	1	EA	
4	011866-000	SCREW : 4MM X 8MM	4	EA	
5	011970-000	MAGNETRON DUCT	1	EA	Not available online / Call for pricing and availability
6	011971-000	HVC BAND	1	EA	
7	011972-000	EXHAUST DUCT B	1	EA	
8	011974-000	SENSOR DUCT	1	EA	
9	011973-000	OVEN LAMP ANGLE	1	EA	
10	011899-000	THERMAL CUT - OUT	2	EA	
11	011993-000	USER CAUTION LABEL (FRENCH)	1	EA	Not available online / Call for pricing and availability
12	011996-000	SLIDE RAIL	3	EA	
13	011898-000	SCREW	4	EA	
14	011997-000	AUTO DRAWER GEAR ASSY	1	EA	
15	011995-000	LATCH ANGLE ASSY R	1	EA	
16	011904-000	SCREW / WASHER	6	EA	
17	011998-000	DOOR SUPPORT ANGLE A	2	EA	
18	011877-000	SCREW	4	EA	
19	012006-000	SPECIAL SCREW	1	EA	
20	011898-000	SCREW	2	EA	
21	011845-000	SCREW : 4MM X 8MM	2	EA	
22	012007-000	DOOR SUPPORT ANGLE B	1	EA	
23	012008-000	RACK GEAR	2	EA	
24	012000-000	ACTUATOR R	1	EA	
25	012001-000	SIDE ANGLE R	1	EA	
26	012002-000	LAMP FILTER	1	EA	
27	012003-000	STIRRER FAN ASSY	1	EA	
28	012005-000	CANOE CLIP	3	EA	
29	022500-000	STIRRER COVER ASSEMBLY	1	EA	
30	012012-000	BIK LABEL	1	EA	





Item	Part No.	Name	Qty	Uom	NOTES
32	012011-000	ACTUATOR L	1	EA	
33	011999-000	CAP NUT	6	EA	
34	012013-000	LATCH, L	1	EA	
35	012014-000	SIDE ANGLE L	1	EA	
36	011992-000	MONITOR CAUTION LABEL	2	EA	
37	012016-000	SWITCH LEVER L	1	EA	
38	012017-000	POWER SUPPLY UNIT HOLDER	1	EA	
39	012018-000	POWER UNIT ASSY SCREW	2	EA	
40	012019-000	NOISE FILTER UNIT	1	EA	
41	011894-000	LATCH HOOK L	1	EA	
42	011975-000	LATCH HOOK R	1	EA	



Appendix A:Pages Index

CABINET AREA	1
CONTROL AREA	2
DRAWER ASSEMBLY	3
ELECTRIC COMPONENTS	4
OVEN CAVITY AREA	5



Appendix B:Parts Index

004835-000	4	011903-000	4
011843-000	1, 1, 2, 3, 4, 5	011904-000	4, 5
011844-000	2	011905-000	4
011845-000	5	011907-000	4
011846-000	2	011908-000	4
011847-000	2	011909-000	4
011851-000	2	011910-000	4
011852-000	2	011968-000	5
011854-000	2	011969-000	5
011855-000	2, 3, 3	011970-000	5
011856-000	2	011971-000	5
011858-000	2	011972-000	5
011866-000	5	011973-000	5
011867-000	1	011974-000	5
011868-000	1	011975-000	5
011869-000	1	011992-000	5
011870-000	1	011993-000	5
011871-000	1	011995-000	5
011872-000	1	011996-000	5
011873-000	1	011997-000	5
011874-000	1	011998-000	5
011875-000	1	011999-000	5
011876-000	1	012000-000	5
011877-000	5	012001-000	5
011878-000	1	012002-000	5
011879-000	1	012003-000	5
011880-000	1	012005-000	5
011881-000	1	012006-000	5
011882-000	1	012007-000	5
011883-000	1	012008-000	5
011884-000	1	012010-000	3
011888-000	4	012011-000	5
011892-000	4	012012-000	5
011894-000	4, 5	012013-000	5
011896-000	4	012014-000	5
011898-000	4, 5, 5	012016-000	5
011899-000	4, 5	012017-000	5
011900-000	2, 4	012018-000	5
011901-000	4	012019-000	5
011902-000	4	012020-000	3
		012021-000	3



012022-000	3
012023-000	3
012025-000	3
012026-000	3
012027-000	3
013817-000	3
022500-000	5
028572-000	2
054876-000	4
PM100019	4
PM100075	4