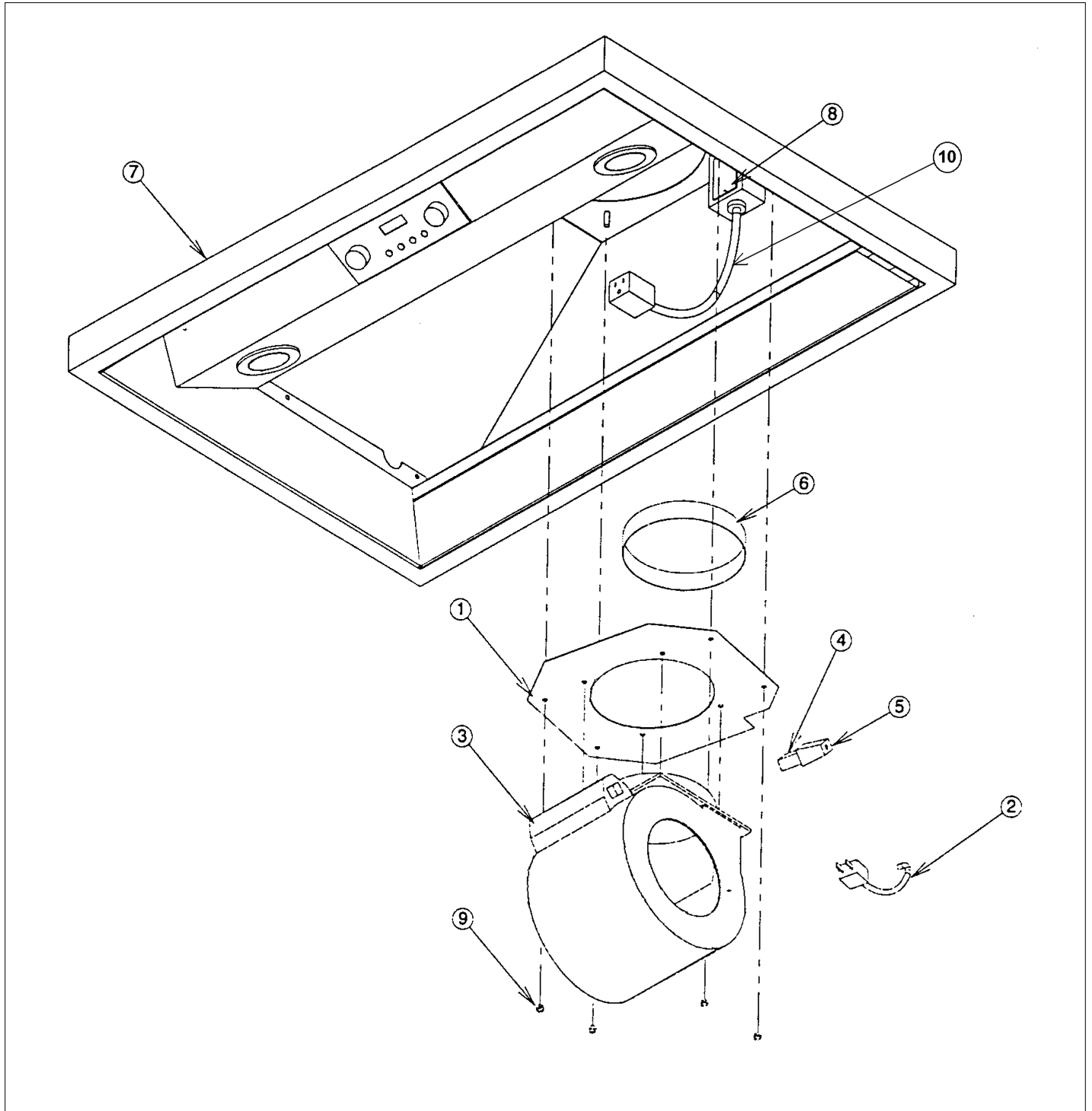


DIV460

| | |
|------------------------------|---|
| DIV 460 | 1 |
| Appendix A:Pages Index | A |
| Appendix B:Parts Index | B |





| Item | Part No. | Name | Qty | Uom | NOTES |
|-----------|----------------|-------------------------------------|-----|-----|--|
| 1 | A1004677 | ROUGH IN | 1 | EA | Not available online / Call for pricing and availability |
| 2 | PE070248 | 2 PRONG MALE SUPPLY CORD (DIV460) | 1 | EA | |
| Not Shown | PE070275 | SOCKET CONTACT-6 PIN CONNECTOR | 1 | EA | Not available online / Call for pricing and availability |
| 3 | PE050065 | 460 CFM INTERNAL BLOWER | 1 | EA | |
| 4 | PE070261 | 6 PIN MALE CONNECTOR-AMP#350715-1 | 1 | EA | NO LONGER AVAILABLE |
| 5 | PE070274 | 6 PIN STRAIN RELIEF AND INSERT | 1 | EA | Not available online / Call for pricing and availability |
| 6 | PV300104 | 7 DAMPER 97015491 REPLACES PV300098 | 1 | EA | |
| 7 | NOT REPLACABLE | HOOD ASSEMBLY | 1 | EA | |
| 8 | A2005017 | ROUGH IN BOX COVER (DIV460) | 1 | EA | NO LONGER AVAILABLE |
| 9 | PD030010 | #10-24 KEPS NUT ZINC PLATED | 1 | EA | |
| 10 | 039680-000 | CORD, PWR, SUPPLY, VNT HD | 1 | EA | |



Appendix A:Pages Index

DIV 460 1



Appendix B:Parts Index

| | |
|------------|---|
| 039680-000 | 1 |
| A1004677 | 1 |
| A2005017 | 1 |
| PD030010 | 1 |
| PE050065 | 1 |
| PE070248 | 1 |
| PE070261 | 1 |
| PE070274 | 1 |
| PE070275 | 1 |
| PV300104 | 1 |