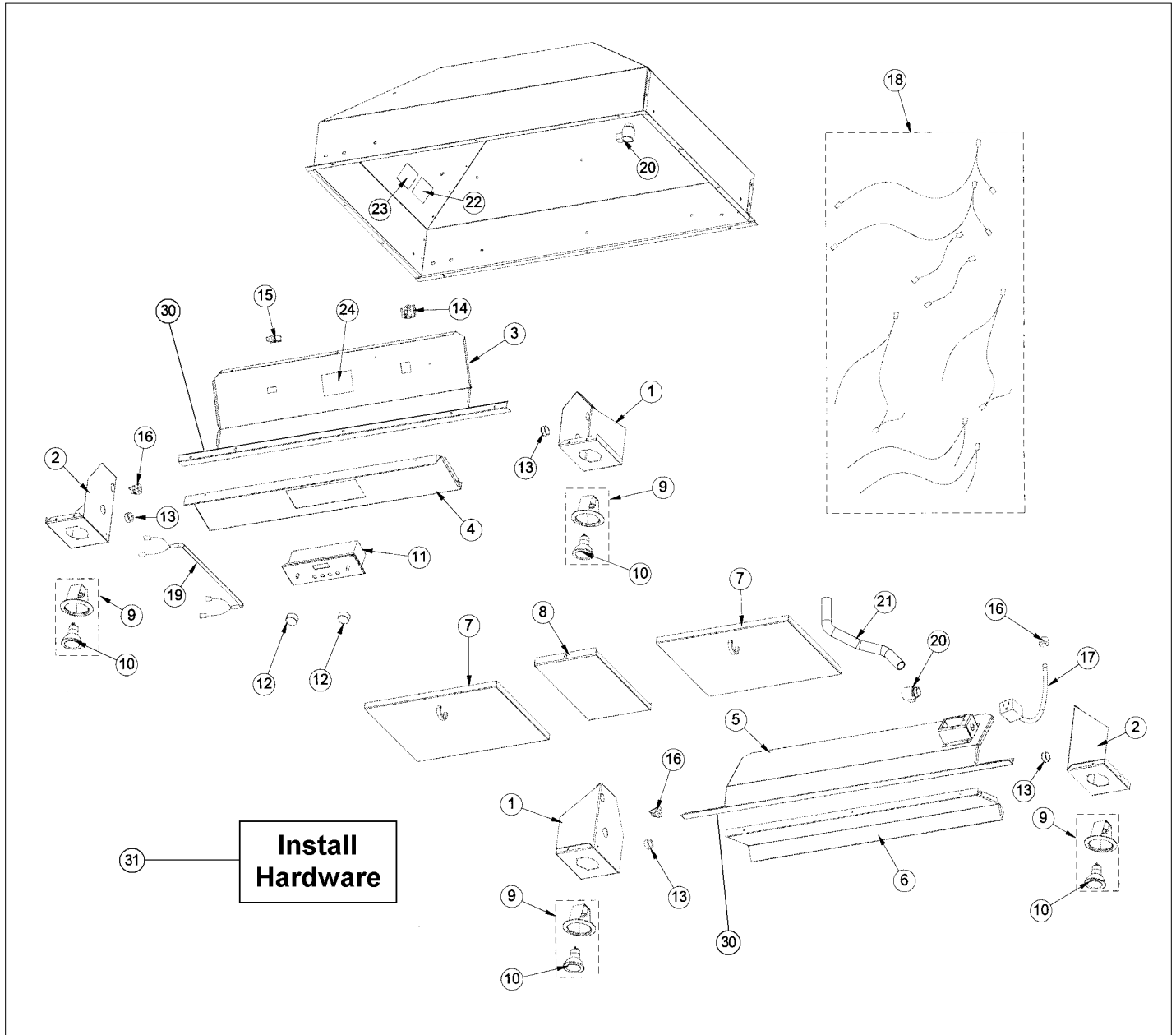


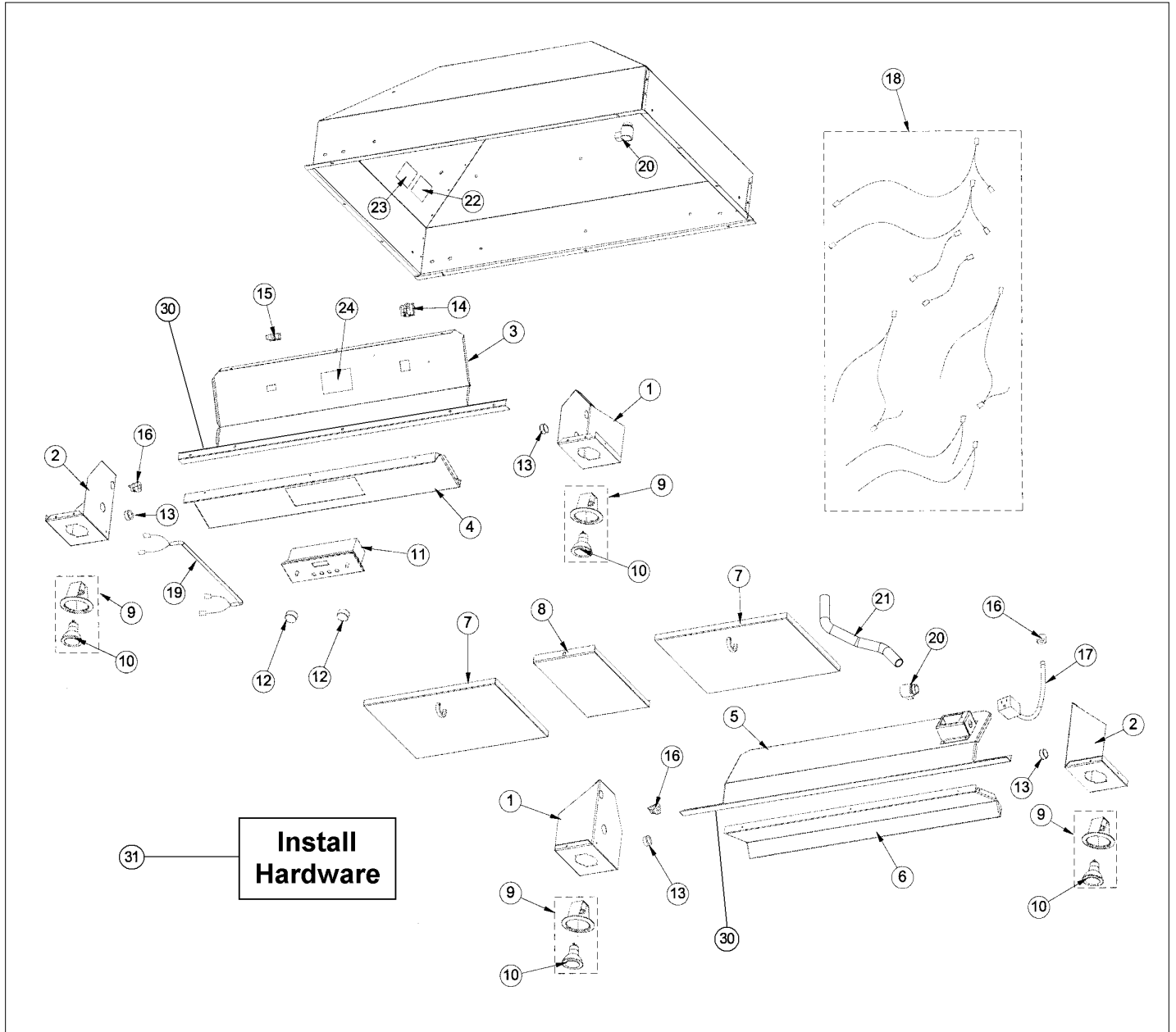
DICV5432

UNIT COMPONENTS	1
Appendix A:Pages Index	A
Appendix B:Parts Index	B

UNIT COMPONENTS

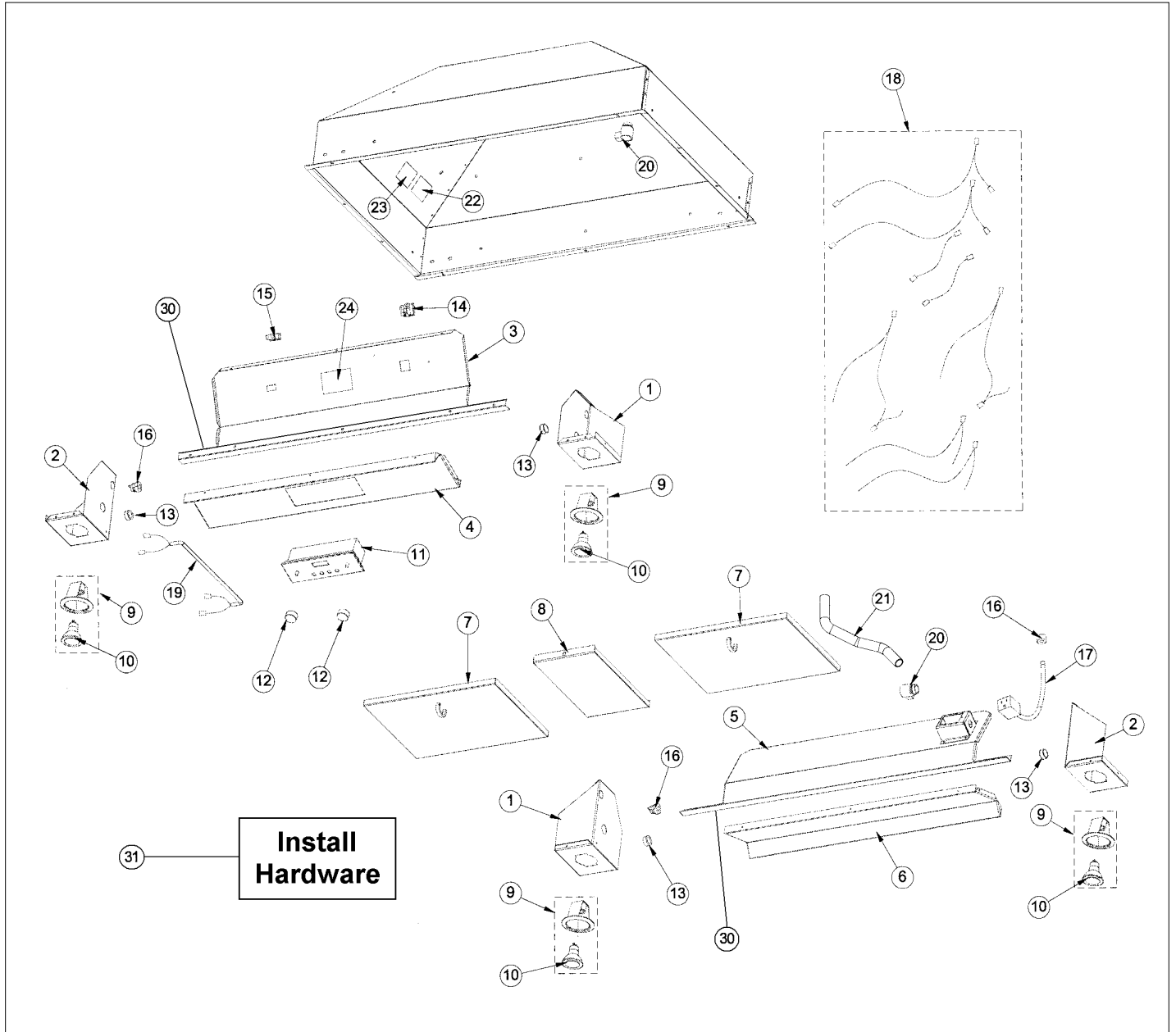


Item	Part No.	Name	Qty	Uom	NOTES
1	B2009330	I/S SIDE RH (DICV54)	1	EA	NO LONGER AVAILABLE, Not available online / Call for pricing and availability
2	B2009331	I/S SIDE LH (DICV54)	1	EA	NO LONGER AVAILABLE, Not available online / Call for pricing and availability
3	B2009333	CONTROL PANEL TOP FRONT (DICV54)	1	EA	NO LONGER AVAILABLE, Not available online / Call for pricing and availability
Not Shown	B20011018	FRONT CONTROL PANEL TOP (DICV54)	1	EA	NO LONGER AVAILABLE, Not available online / Call for pricing and availability
4	B2009332	CONTROL PANEL FRONT (DICV54)	1	EA	NO LONGER AVAILABLE, Not available online / Call for pricing and availability
5	B2009336	REAR CONTROL PANEL TOP (DICV54)	1	EA	NO LONGER AVAILABLE, Not available online / Call for pricing and availability
6	B2009326	REAR CONTROL PANEL (DICV54)	1	EA	NO LONGER AVAILABLE, Not available online / Call for pricing and availability
7	G31010268	FILTER ASSEMBLY (DESIGNER) 13.848 X 10.375	1	EA	
8	B2008178	FILTER SPACER DICV54 5.313 X 10.375	1	EA	NO LONGER AVAILABLE
9	PE050064	LIGHT ASSEMBLY	1	EA	
10	PE050081	50 WATT HALOGEN BULB	1	EA	
11	025084-000	SERVICE CONTROL PANEL/WIRE HARNESS ASSY	1	EA	
12	PA010089	KNOB (DESIGNER SERIES HOOD)	1	EA	
13	PD040005	SNAP BUSHING - 7/8"	1	EA	
14	PE070197	MALE SOCKET (3 PRONG)	1	EA	
15	PE070196	FEMALE SOCKET (2 PRONG)	1	EA	
16	PE070204	HEYCO STRAIN RELIEF - 7-P2	1	EA	





Item	Part No.	Name	Qty	Uom	NOTES
17	039680-000	CORD, PWR, SUPPLY, VNT HD	1	EA	
18	PE070445	DICV54 WIRE HARNESS	1	EA	NO LONGER AVAILABLE, Not available online / Call for pricing and availability
19	PE070446	DICV BRIDGE HARNESS	1	EA	NO LONGER AVAILABLE, Not available online / Call for pricing and availability
20	PE070358	SNAP IN FLEXIBLE CONDUIT CLAMP(DCIH	1	EA	NO LONGER AVAILABLE, Not available online / Call for pricing and availability
21	PE070359	1/2" FLEXIBLE CONDUIT	1	EA	Not available online / Call for pricing and availability
22	PE020058	RATING LABEL (ADHESIVE)	1	EA	
23	PF030337	HOOD WARNING LABEL	1	EA	
24	PF030468	WIRING LABEL	1	EA	Not available online / Call for pricing and availability
25	PD020010	10 X 3/8 GREEN GROUNDING SCREW	1	EA	
26	PD030010	#10-24 KEPS NUT ZINC PLATED	1	EA	
27	PD020139	#8 X 1/2" P.H. FLAT TOP TRUSS U/C #2 TYPE AB 30 SS/ BRIGHT NICKEL PLATE	1	EA	
28	PD020032	SRW-8(A)X3/8"PH.WFR HD 7/16DIA*NICL	1	EA	
29	PC040010	POP RIVET (.063/GR -.125) GAMD42-A	1	EA	
30	B2008783	FILTER SUPPORT FRONT/REAR (DICV54)	1	EA	NO LONGER AVAILABLE, Not available online / Call for pricing and availability
31	PD020010	10 X 3/8 GREEN GROUNDING SCREW	1	EA	
Not Shown	NOTE	Install Hardware - Qty. 1		EA	
Not Shown	PD030010	#10-24 KEPS NUT ZINC PLATED	1	EA	





Item	Part No.	Name	Qty	Uom	NOTES
Not Shown	NOTE	Install Hardware - Qty. 4		EA	
Not Shown	PD020139	#8 X 1/2" P.H. FLAT TOP TRUSS U/C #2 TYPE AB 30 SS/ BRIGHT NICKEL PLATE	1	EA	
Not Shown	NOTE	INSTALL HARDWARE - QTY. 8		EA	



Appendix A:Pages Index

UNIT COMPONENTS 1



Appendix B:Parts Index

025084-000 1
039680-000 1
B20011018 1
B2008178 1
B2008783 1
B2009326 1
B2009330 1
B2009331 1
B2009332 1
B2009333 1
B2009336 1
G31010268 1
PA010089 1
PC040010 1
PD020010 1, 1
PD020032 1
PD020139 1, 1
PD030010 1, 1
PD040005 1
PE020058 1
PE050064 1
PE050081 1
PE070196 1
PE070197 1
PE070204 1
PE070358 1
PE070359 1
PE070445 1
PE070446 1
PF030337 1
PF030468 1