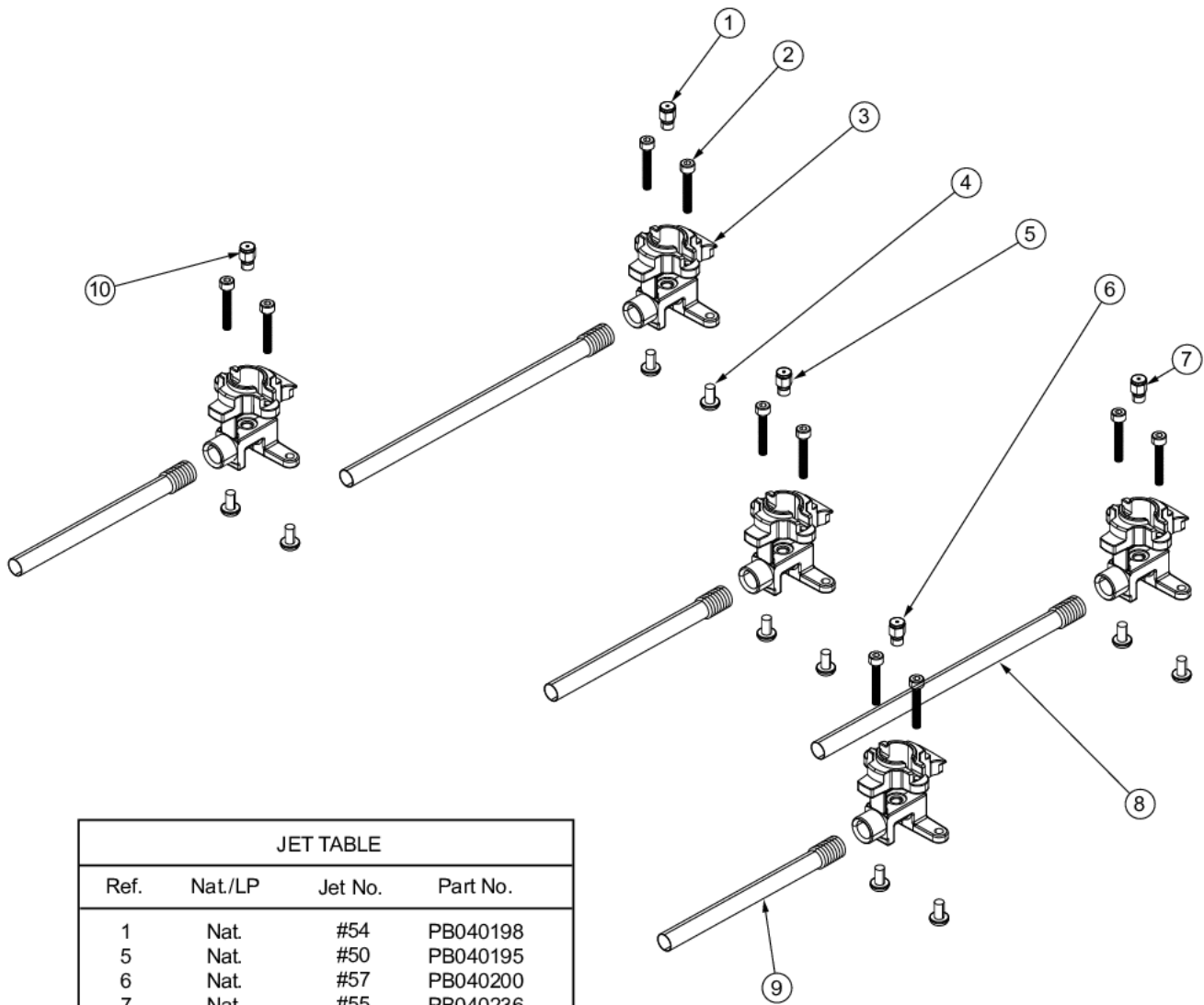


DGSU161-5B

BURNER AREA	1
CONTROL AREA	2
SURFACE COOKING AREA	3
UNIT EXTERIOR	4
Appendix A:Pages Index	A
Appendix B:Parts Index	B

BURNER AREA

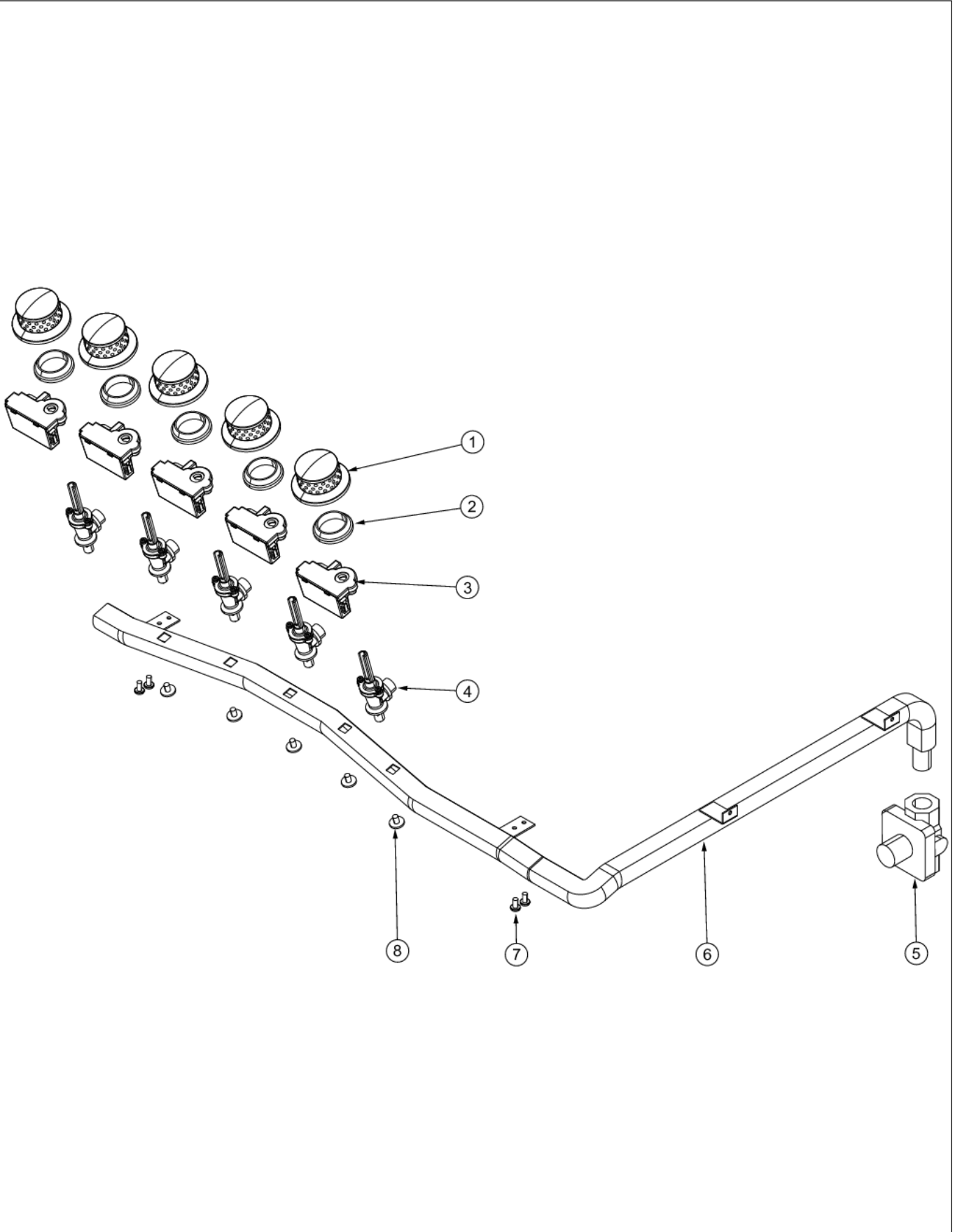


JET TABLE			
Ref.	Nat./LP	Jet No.	Part No.
1	Nat.	#54	PB040198
5	Nat.	#50	PB040195
6	Nat.	#57	PB040200
7	Nat.	#55	PB040236
10	Nat.	#52	PB040255
1	LP	#63	PB040202
5	LP	#58	PB040274
6	LP	#69	PB040258
7	LP	#67	PB040204
10	LP	#60	PB040271



Item	Part No.	Name	Qty	Uom	NOTES
1	PB040198	# 54 ORIFICE FOR SEALED BURNER	1	EA	
1	PB040202	NO.63 ORIFICE FOR SEALED BURNER - LP	1	EA	
2	PD020159	DGSU BURNER BASE SCREW	10	EA	
3	PB050067	JETHOLDER	5	EA	
4	PD020004	10X3/8PH.HD.TYPE 25 REPL PD040125	10	EA	
5	PB040195	# 50 ORIFICE FOR SEALED BURNER	1	EA	
5	PB040274	NO.58 - NAT	1	EA	
6	PB040200	#57 ORIFICE - LP	1	EA	
6	PB040258	LP Orifice #69	1	EA	
7	PB040236	#55 NAT	1	EA	
7	PB040204	#67 LP	1	EA	
8	PB020198	20" FLEX TUBING	2	EA	
9	PB020190	10" FLEX TUBE	3	EA	
10	PB040255	NO.52 NAT	1	EA	
10	PB040271	#60 LP	1	EA	

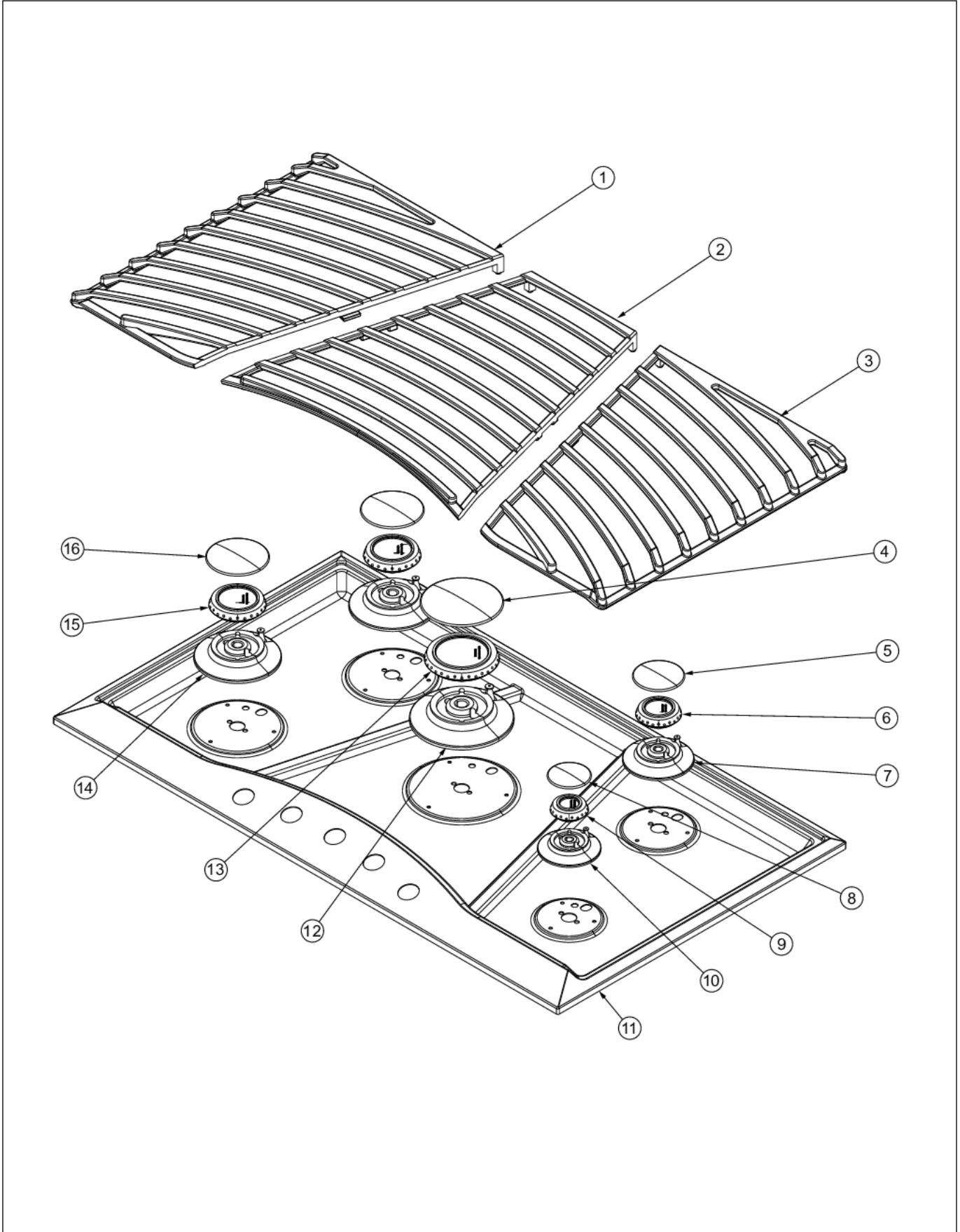
CONTROL AREA





Item	Part No.	Name	Qty	Uom	NOTES
1	011731-000	KNOB, BK, DESIGNER COOKTOP	5	EA	
1	014558-000	KNOB, VLV, GRAY BAND, DES COOKTOP	5	EA	
2	PB070079	SILICONE EXTRUSION (DGSU)	5	EA	
3	015112-000	MODULE, SPK IRIS COOKTOP	5	EA	
4	007146-000	COOKTOP REVERSE FLOW VALVE	5	EA	
5	PA070004	Pressure Regulator (Nat.)	1	EA	
5	PA070005	PRESSURE REG.(LP) RV47L- 77-10.0	1	EA	
6	014611-000	MANIFOLD, ASM	1	EA	Not available online / Call for pricing and availability
7	PD020004	10X3/8PH.HD.TYPE 25 REPL PD040125	4	EA	
8	PD010012	VALVE BOLT 1/4-20 UNC-2B 5/16" M.S.	5	EA	

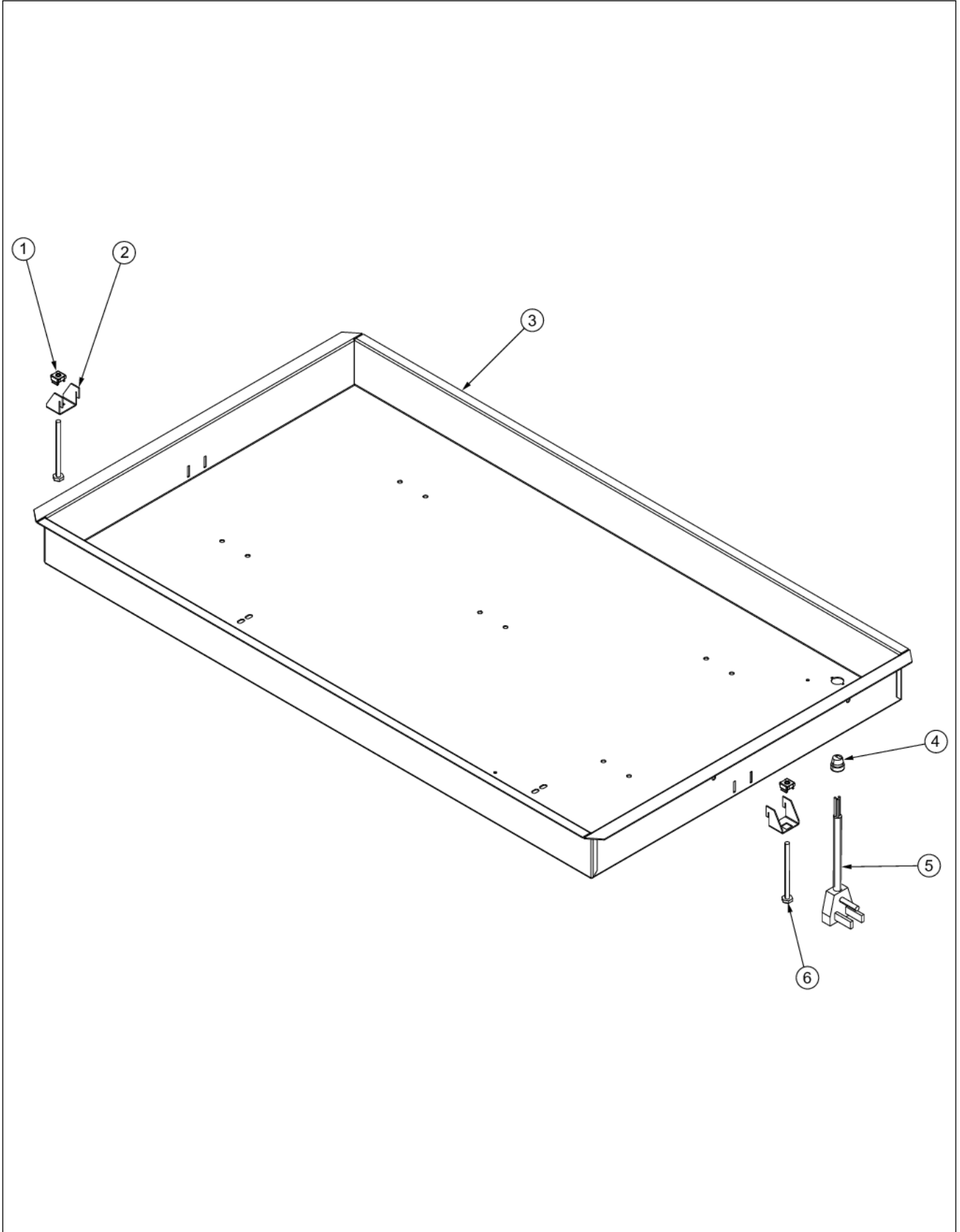
SURFACE COOKING AREA





Item	Part No.	Name	Qty	Uom	NOTES
1	PA060085	LH DGSU160 GRATE (BLACK)	1	EA	
1	PA060088	LH DGSU160 GRATE (GRAY)	1	EA	
2	PA060087	CENTER DGSU160 GRATE (BLACK)	1	EA	
2	PA060090	CENTER DGSU160 GRATE (GRAY)	1	EA	
3	PA060086	RH DGSU160 GRATE (BLACK)	1	EA	
3	PA060089	RH DGSU160 GRATE (GRAY)	1	EA	
4	PA080083	D BURNER CAP *MATTE BLACK*	1	EA	
5	PA080105	DGRT-B BURNER CAP- BLACK	1	EA	
6	PA080100	DGRT-B COMPLETE BURNER HEAD ASSEMBLY	1	EA	
7	PB050071	B-BASE	1	EA	
8	PA080103	DGRT-A BURNER CAP- BLACK	1	EA	
9	PA080099	DGRT-A COMPLETE BURNER HEAD ASSEMBLY	1	EA	
10	PB050072	A-BASE	1	EA	
11	017287-002	36" TOP ASM W/GRAPHICS, BLACK	1	EA	
11	017287-006	36" TOP ASM W/GRAPHICS, WHITE	1	EA	
11	017287-000	36" TOP ASM W/GRAPHICS, SS	1	EA	
12	PB050069	D-BASE	1	EA	
13	PA080102	DGRT-D COMPLETE BURNER HEAD ASSEMBLY	1	EA	
14	PB050070	C-BASE	2	EA	
15	PA080101	DGRT-C COMPLETE BURNER HEAD ASSEMBLY	2	EA	
16	PA080107	DGRT-C BURNER CAP- BLACK	2	EA	

UNIT EXTERIOR





Item	Part No.	Name	Qty	Uom	NOTES
1	PD030029	SELF RETAINING NUT (1/4-20)	2	EA	
2	A2005721	MOUNT BRACKET (DECU)	2	EA	
3	015323-000	BOX, BURNER	1	EA	Not available online / Call for pricing and availability
4	PE070069	STRAIGHT-THRU BUSHING	1	EA	
5	G4007440	SUPPLY CORD ASSY	1	EA	
6	PD020123	BOLT 1/4-20 X 3 HEX HD	2	EA	



Appendix A:Pages Index

BURNER AREA	1
CONTROL AREA	2
SURFACE COOKING AREA	3
UNIT EXTERIOR	4



Appendix B:Parts Index

007146-000	2	PB050069	3
011731-000	2	PB050070	3
014558-000	2	PB050071	3
014611-000	2	PB050072	3
015112-000	2	PB070079	2
015323-000	4	PD010012	2
017287-000	3	PD020004	1, 2
017287-002	3	PD020123	4
017287-006	3	PD020159	1
A2005721	4	PD030029	4
G4007440	4	PE070069	4
PA060085	3		
PA060086	3		
PA060087	3		
PA060088	3		
PA060089	3		
PA060090	3		
PA070004	2		
PA070005	2		
PA080083	3		
PA080099	3		
PA080100	3		
PA080101	3		
PA080102	3		
PA080103	3		
PA080105	3		
PA080107	3		
PB020190	1		
PB020198	1		
PB040195	1		
PB040198	1		
PB040200	1		
PB040202	1		
PB040204	1		
PB040236	1		
PB040255	1		
PB040258	1		
PB040271	1		
PB040274	1		
PB050067	1		