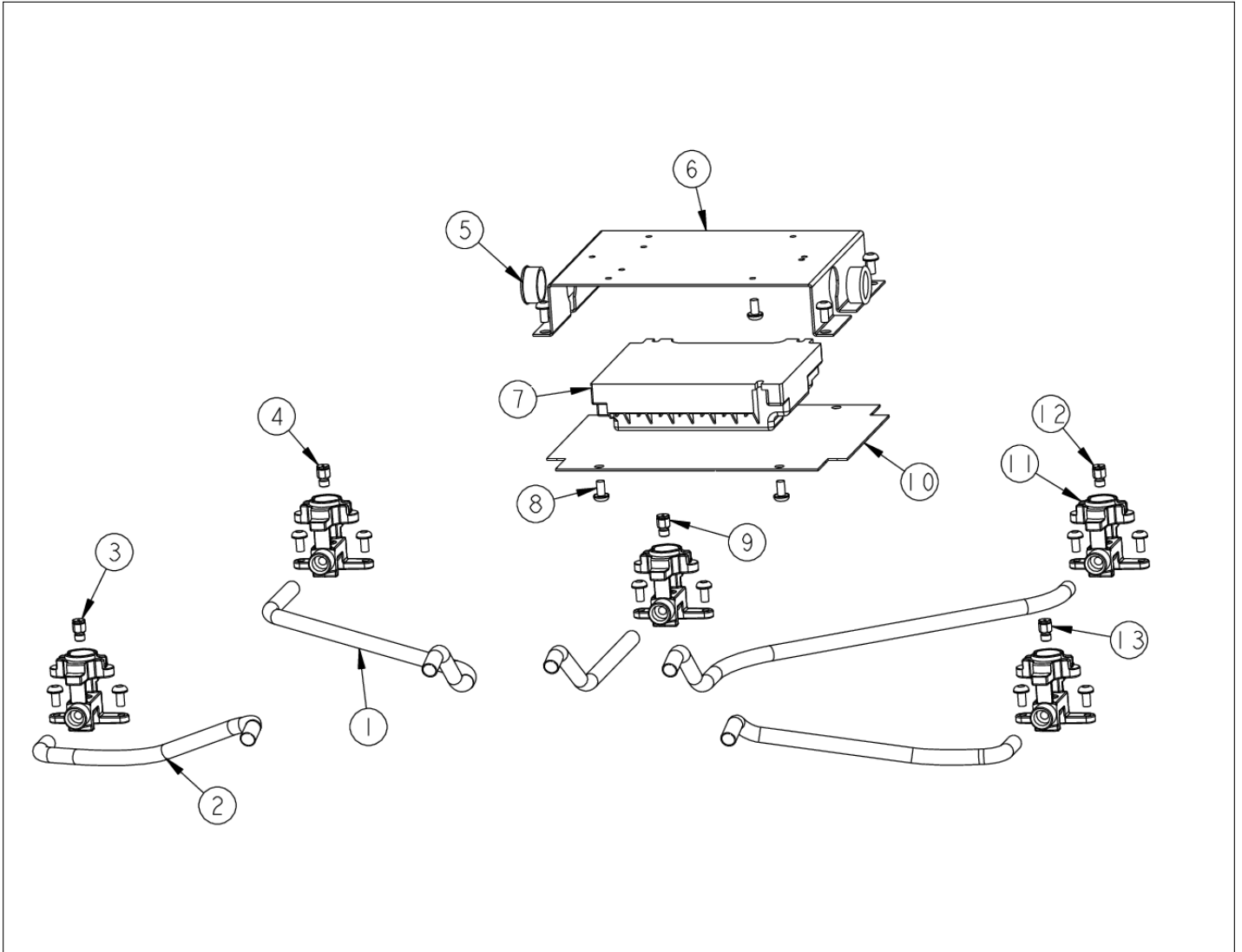


**DGSU160**

BURNER BOX INTERIOR .....	1
CONTROL AREA .....	2
IGNITER SWITCH HARNESS .....	3
SURFACE COOKING AREA .....	4
UNIT EXTERIOR .....	5
WIRE HARNESS .....	6
Appendix A:Pages Index .....	A
Appendix B:Parts Index .....	B

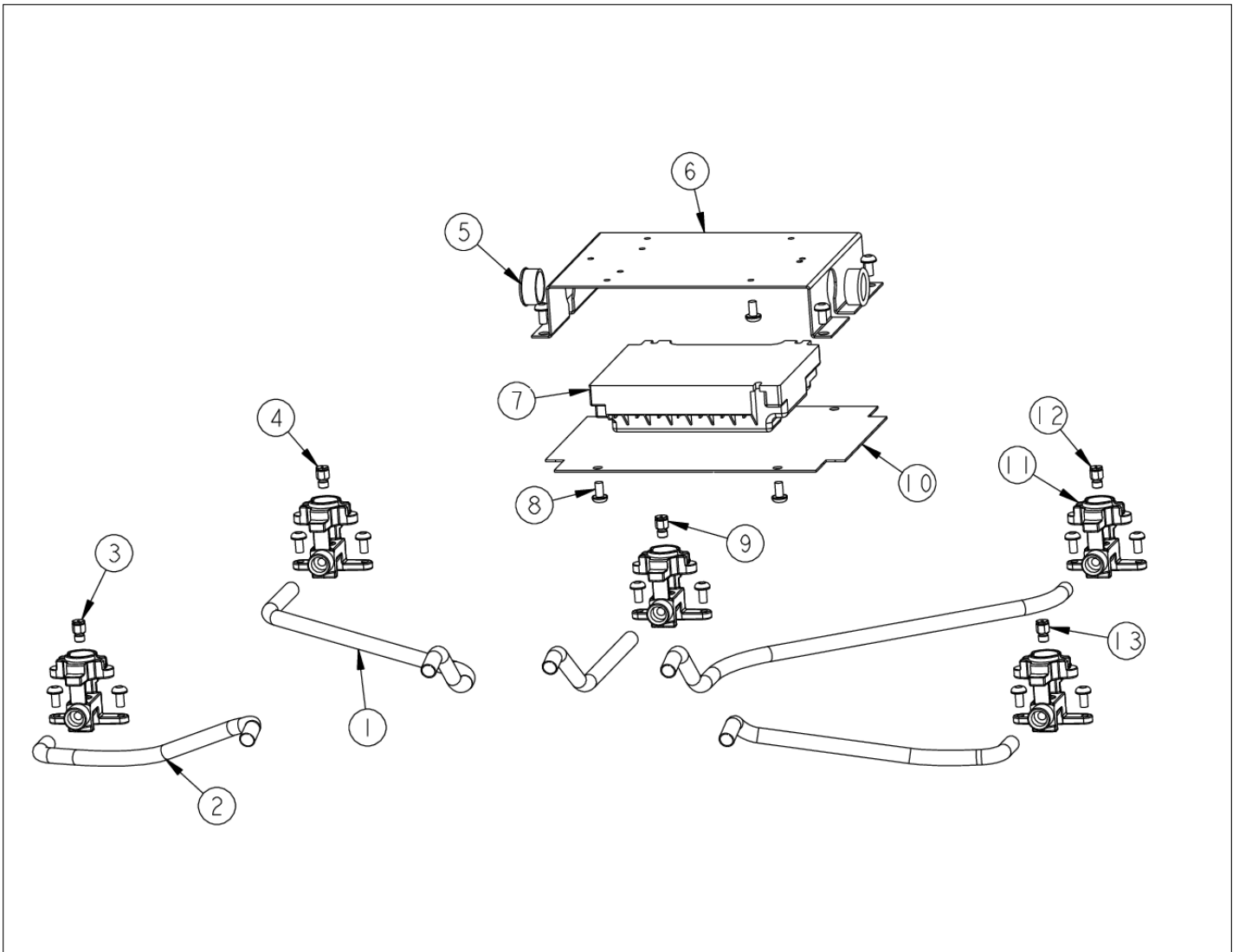


BURNER BOX INTERIOR





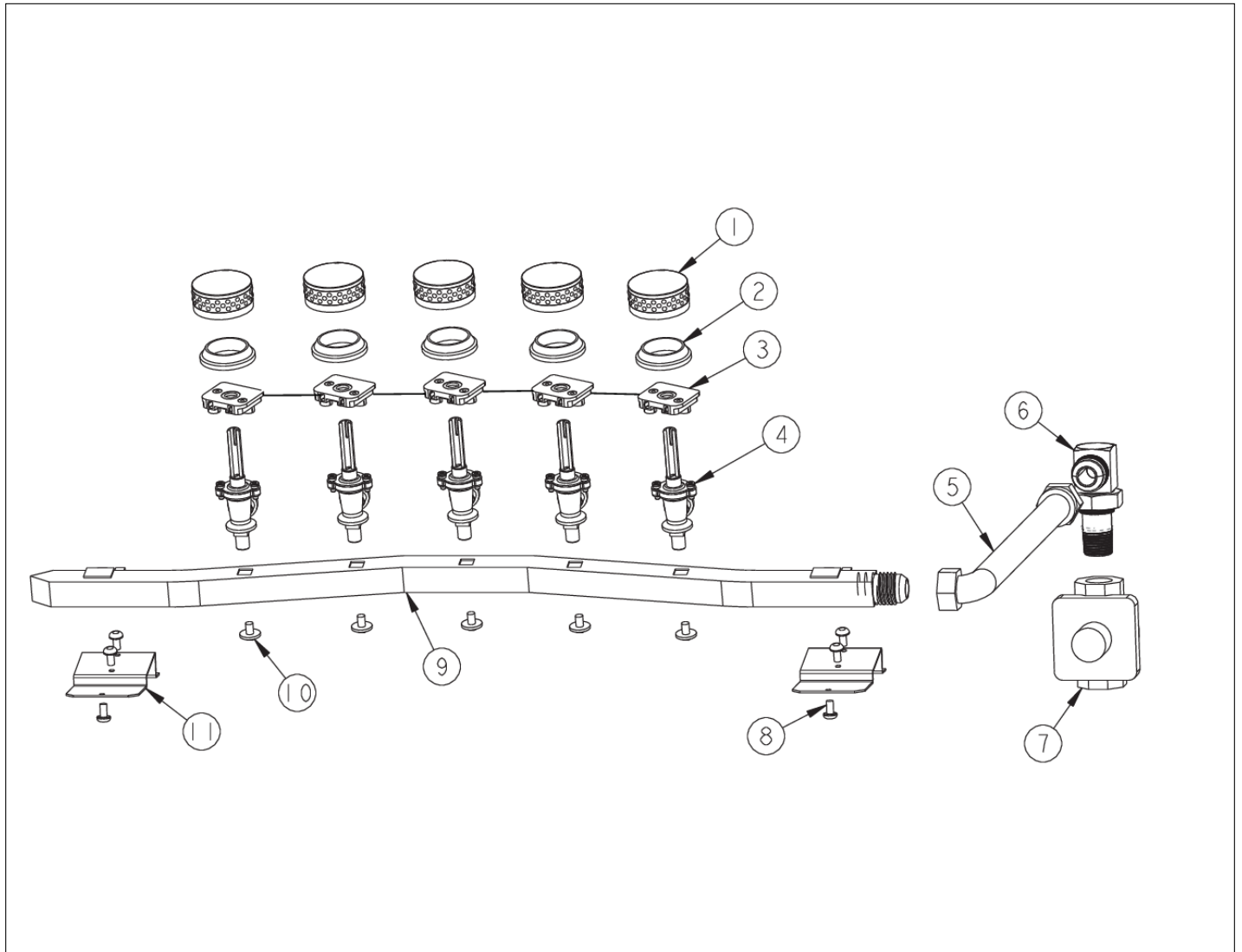
Item	Part No.	Name	Qty	Uom	NOTES
1	PB020198	20" FLEX TUBING	1	EA	
2	PB020190	10" FLEX TUBE	1	EA	
3	PB040198	# 54 ORIFICE FOR SEALED BURNER	1	EA	
Not Shown	NOTE	(NATURAL GAS)		EA	
NI	PB040202	NO.63 ORIFICE FOR SEALED BURNER - LP	1	EA	
Not Shown	NOTE	(LP GAS)		EA	
4	PB040197	# 53 ORIFICE FOR SEALED BURNER	1	EA	
Not Shown	NOTE	(NATURAL GAS)		EA	
NI	PB040201	#61 ORIFICE FOR SEALED BURNER	1	EA	
Not Shown	NOTE	(LP GAS)		EA	
5	PD040005	SNAP BUSHING - 7/8"	1	EA	
6	A2007834	MODULE BRACKET	1	EA	NO LONGER AVAILABLE, Not available online / Call for pricing and availability
7	PA020042	Spark Module	1	EA	
8	PD020004	10X3/8PH.HD.TYPE 25 REPL PD040125	1	EA	
9	PB040196	# 51 ORIFICE FOR SEALED BURNER	1	EA	
Not Shown	NOTE	(NATURAL GAS)		EA	
NI	PB040200	#57 ORIFICE - LP	1	EA	
Not Shown	NOTE	(LP GAS)		EA	
10	A1005718	MODULE COVER	1	EA	NO LONGER AVAILABLE, Not available online / Call for pricing and availability
11	PB050067	JETHOLDER	1	EA	
12	PB040236	#55 NAT	1	EA	
Not Shown	NOTE	(NATURAL GAS)		EA	





Item	Part No.	Name	Qty	Uom	NOTES
NI	PB040203	#65 ORIFICE FOR SEALED BURNER	1	EA	
Not Shown	NOTE	(LP GAS)		EA	
13	PB040199	ORIFICE NO.56	1	EA	
Not Shown	NOTE	(NATURAL GAS)		EA	
NI	PB040204	#67 LP	1	EA	
Not Shown	NOTE	(LP GAS)		EA	

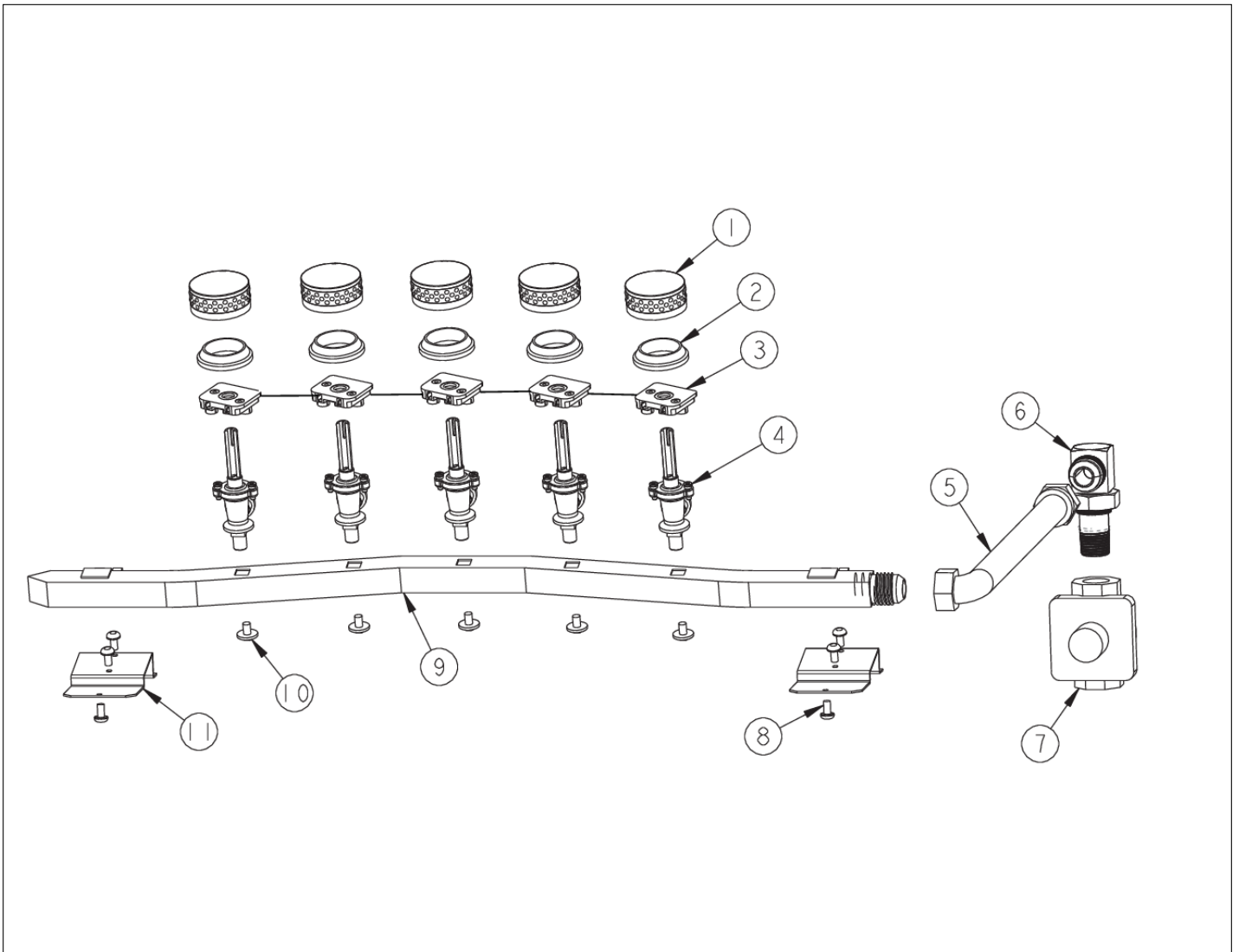
CONTROL AREA







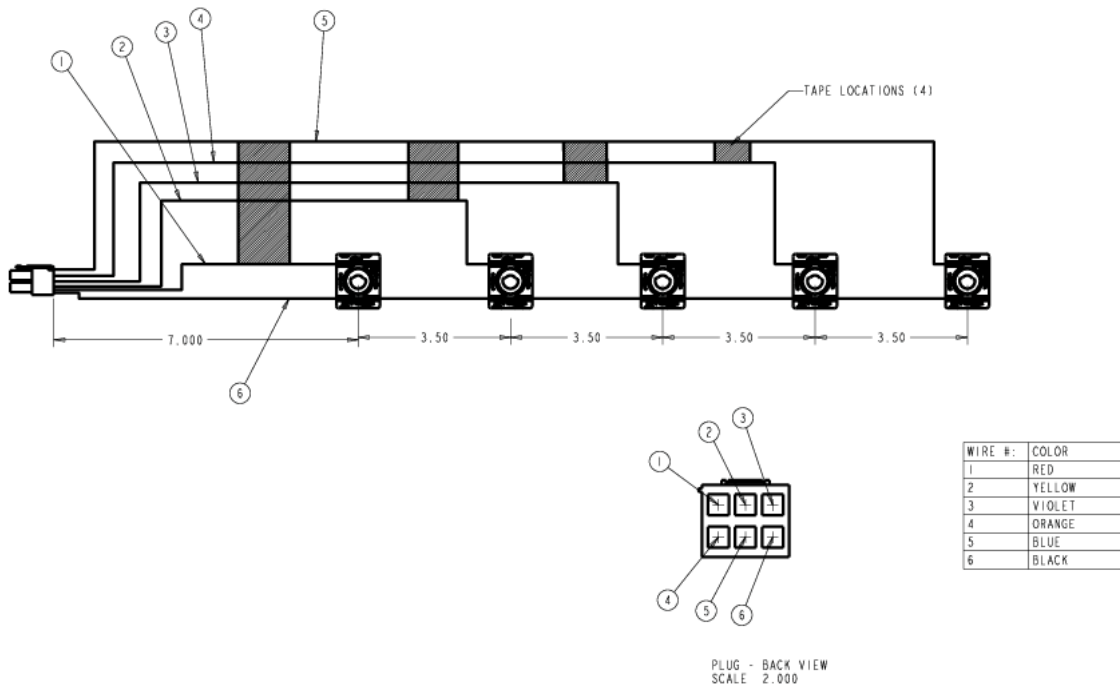
Item	Part No.	Name	Qty	Uom	NOTES
1	PB010200	GAS DESIGNER COOKTOP KNOB	1	EA	
1	PB010200PVD	GAS DESIGNER COOKTOP KNOB - BRASS	1	EA	
1	PB010214	GAS DESIGNER COOKTOP KNOB - WH	1	EA	
1	PB010214PVD	GAS DESIGNER COOKTOP KNOB - BRASS	1	EA	
2	PB070079	SILICONE EXTRUSION (DGSU)	1	EA	
3	PE070819	IGNITOR SWITCH HARNESS 5B, 36"	1	EA	
Not Shown	NOTE	(ILLUSTRATION NOT EXACT - SEE IGNITOR SWITCH HARNESS 36" 5-B VIEW)		EA	
4	003577-000	DGCU GAS VALVE (DESIGNER SERIES)	1	EA	
Not Shown	NOTE	(BEFORE 02/09/06)		EA	
NI	007146-000	COOKTOP REVERSE FLOW VALVE	1	EA	
Not Shown	NOTE	(AFTER 02/09/06)		EA	
5	PB020189	5/8 FLEX TUBE	1	EA	
6	PB040231	90 DEGREE BULKHEAD ELBOW W / LOCKNUT	1	EA	
7	PA070004	Pressure Regulator (Nat.)	1	EA	
Not Shown	NOTE	(NATURAL GAS)		EA	
NI	PA070005	PRESSURE REG.(LP) RV47L-77-10.0	1	EA	
Not Shown	NOTE	(LP GAS)		EA	
8	PD020004	10X3/8PH.HD.TYPE 25 REPL PD040125	1	EA	
9	PA050087	DGSU160 MANIFOLD	1	EA	Not available online / Call for pricing and availability
10	PD010012	VALVE BOLT 1/4-20 UNC-2B 5/16" M.S.	1	EA	





Item	Part No.	Name	Qty	Uom	NOTES
11	A20014779	DGSU MANIFOLD BRACKET	1	EA	NO LONGER AVAILABLE, Not available online / Call for pricing and availability

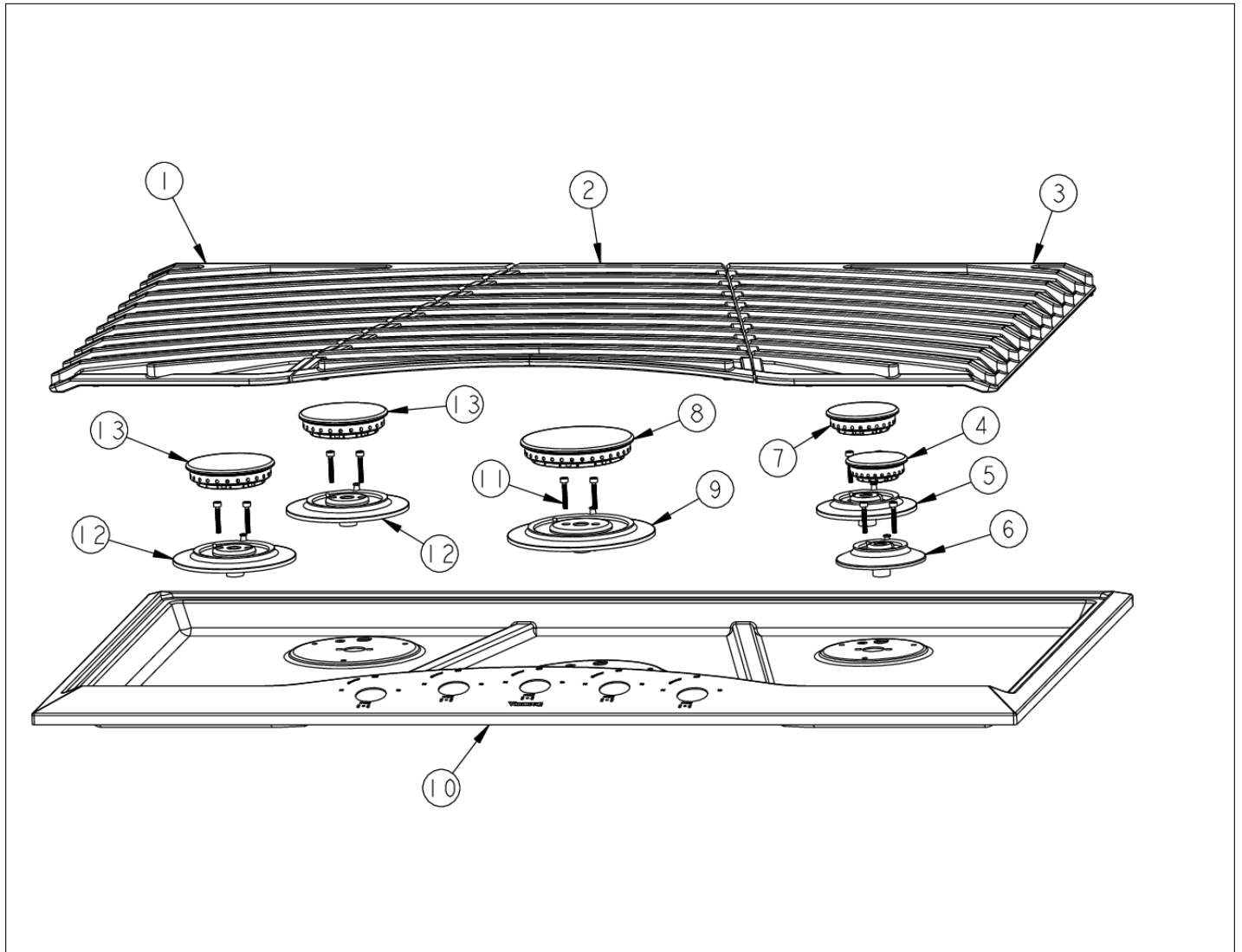
IGNITER SWITCH HARNESS





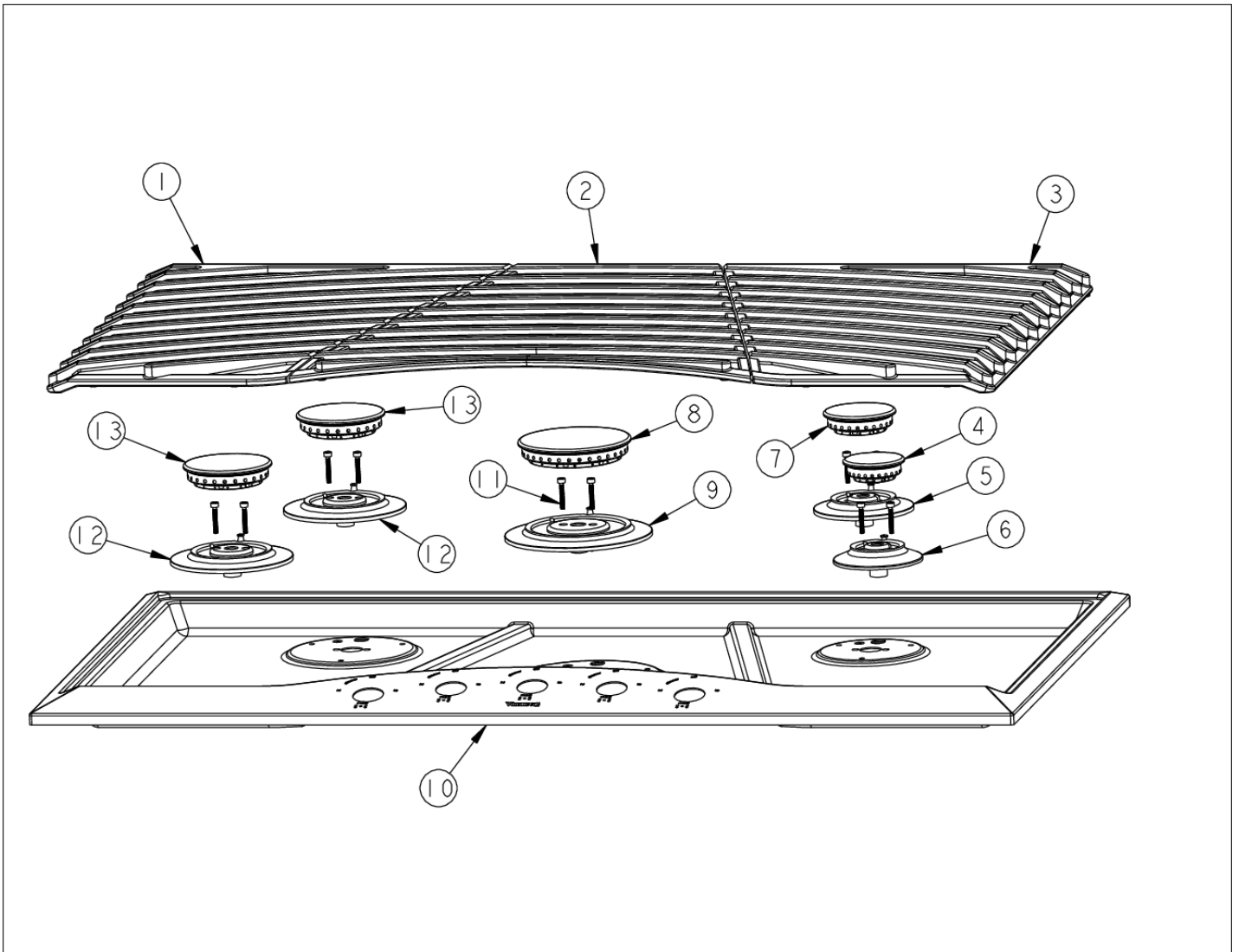
Item	Part No.	Name	Qty	Uom	NOTES
1	PE070819	IGNITOR SWITCH HARNESS 5B, 36"	1	EA	

SURFACE COOKING AREA



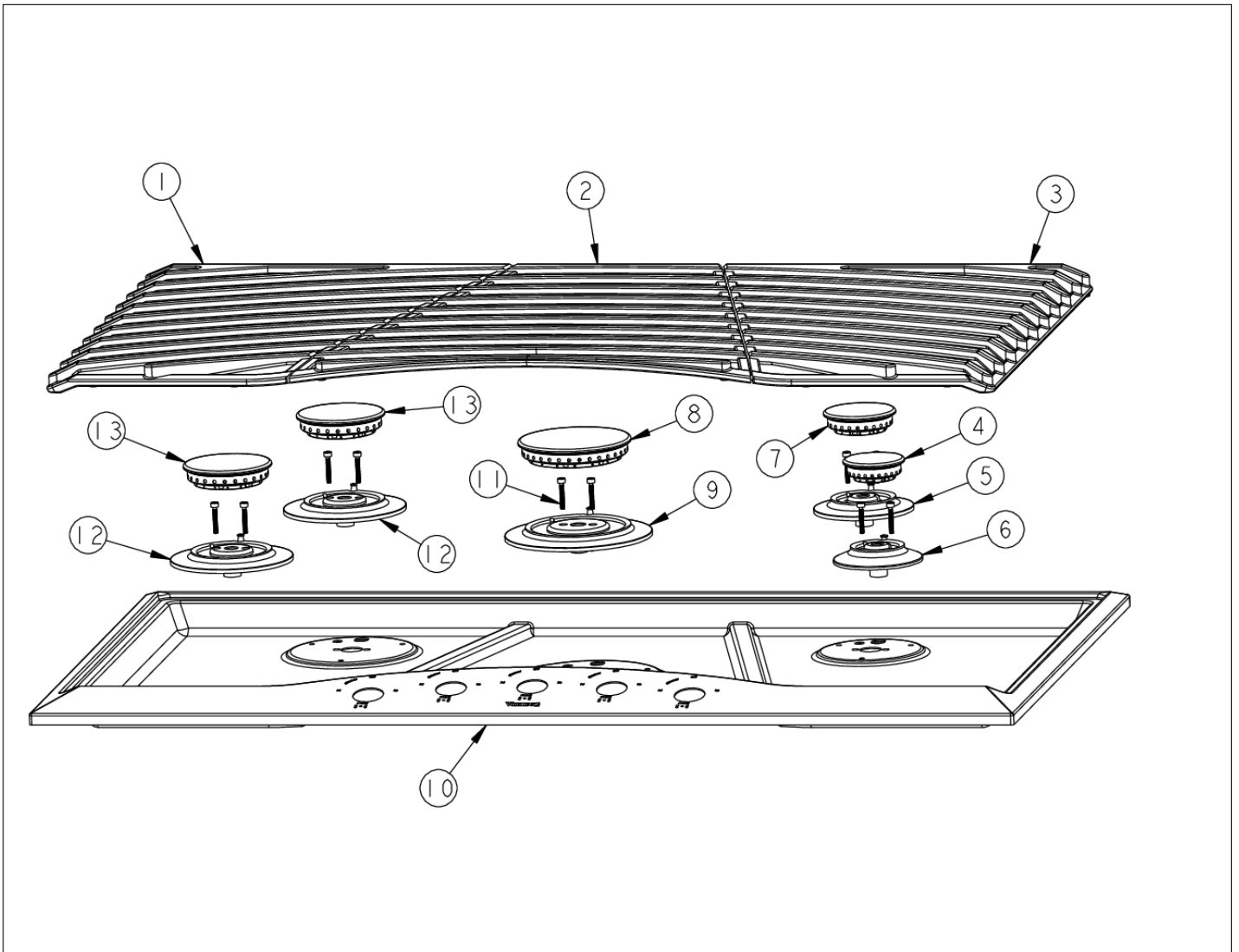


Item	Part No.	Name	Qty	Uom	NOTES
1	PA060064	160 LEFT GRATE	1	EA	
Not Shown	NOTE	(BEFORE 12/16/06)		EA	
NI	PA060075	160 LEFT GRATE (GRAY)	1	EA	NO LONGER AVAILABLE
Not Shown	NOTE	(BEFORE 12/16/06)		EA	
NI	PA060085	LH DGSU160 GRATE (BLACK)	1	EA	
Not Shown	NOTE	(AFTER 12/16/06)		EA	
NI	PA060088	LH DGSU160 GRATE (GRAY)	1	EA	
Not Shown	NOTE	(AFTER 12/16/06)		EA	
2	PA060063	160 CENTER GRATE	1	EA	
Not Shown	NOTE	(BEFORE 12/16/06)		EA	
NI	PA060074	160 CENTER GRATE (GREY)	1	EA	NO LONGER AVAILABLE
Not Shown	NOTE	(BEFORE 12/16/06)		EA	
NI	PA060087	CENTER DGSU160 GRATE (BLACK)	1	EA	
Not Shown	NOTE	(AFTER 12/16/06)		EA	
NI	PA060090	CENTER DGSU160 GRATE (GRAY)	1	EA	
Not Shown	NOTE	(AFTER 12/16/06)		EA	
3	PA060065	160 RIGHT GRATE	1	EA	
Not Shown	NOTE	(BEFORE 12/16/06)		EA	
NI	PA060076	160 RIGHT GRATE (GREY)	1	EA	Not available online / Call for pricing and availability
Not Shown	NOTE	(BEFORE 12/16/06)		EA	
NI	PA060086	RH DGSU160 GRATE (BLACK)	1	EA	
Not Shown	NOTE	(AFTER 12/16/06)		EA	
NI	PA060089	RH DGSU160 GRATE (GRAY)	1	EA	





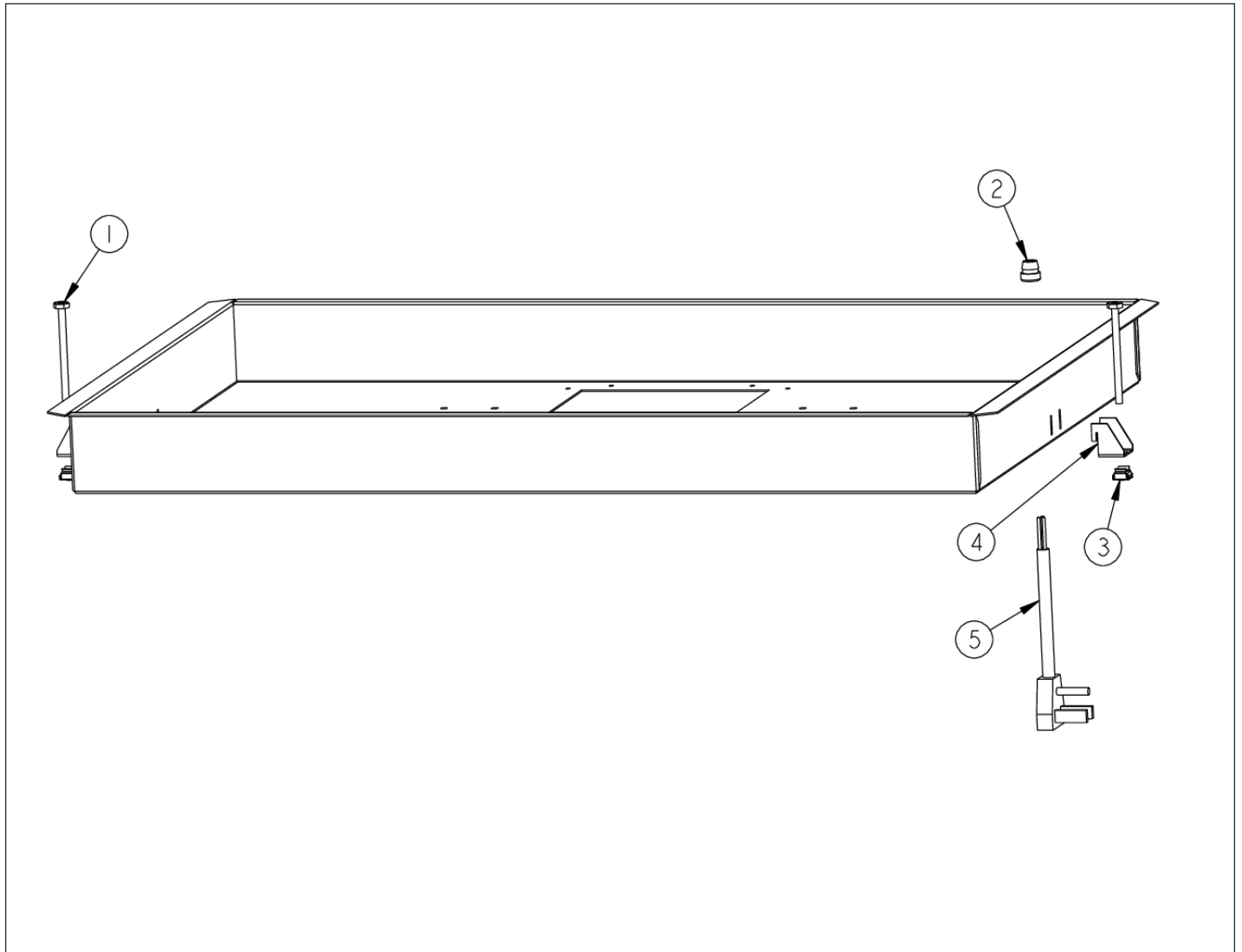
Item	Part No.	Name	Qty	Uom	NOTES
Not Shown	NOTE	(AFTER 12/16/06)		EA	
4	PA080091	Burner - 6,000 BTU (Right Front) - BK	1	EA	
Not Shown	PA080095	Burner - 6,000 BTU (Right Front) - GR	1	EA	
5	PB050071	B-BASE	1	EA	
Not Shown	NOTE	(Includes Igniter)		EA	
6	PB050072	A-BASE	1	EA	
Not Shown	NOTE	(Includes Igniter)		EA	
7	PA080090	Burner - 9,000 BTU (Right Rear) - BK	1	EA	
Not Shown	PA080094	Burner - 9,000 BTU (Right Rear) - GR	1	EA	
8	PA080088	Burner - 14,000 BTU (Left Front) - BK	1	EA	
Not Shown	PA080092	Burner Head - 14,000 BTU (Left Front) - GR	1	EA	
9	PB050069	D-BASE	1	EA	
Not Shown	NOTE	(Includes Igniter)		EA	
10	014780-000	DGSU160 TOP - NLA	1	EA	
10	E92014573BK	DGSU160 TOP *BK*	1	EA	Not available online / Call for pricing and availability
10	E92014573BT	DGSU160 TOP *BT*	1	EA	Not available online / Call for pricing and availability
10	E92014573GG	DGSU160 TOP *GG*	1	EA	
10	E92014573SG	DGSU160 TOP *SG*	1	EA	NO LONGER AVAILABLE
10	E92014573WH	DGSU160 TOP *WH*	1	EA	NO LONGER AVAILABLE
11	PD020159	DGSU BURNER BASE SCREW	1	EA	
12	PB050070	C-BASE	1	EA	
Not Shown	NOTE	(Includes Igniter)		EA	
13	PA080089	Burner-12,000 BTU(Front/Rear Center, Rear Left)-BK	1	EA	





Item	Part No.	Name	Qty	Uom	NOTES
13	PA080093	Burner-12,000 BTU(Front/Rear Center, Rear Left)-GR	1	EA	

UNIT EXTERIOR



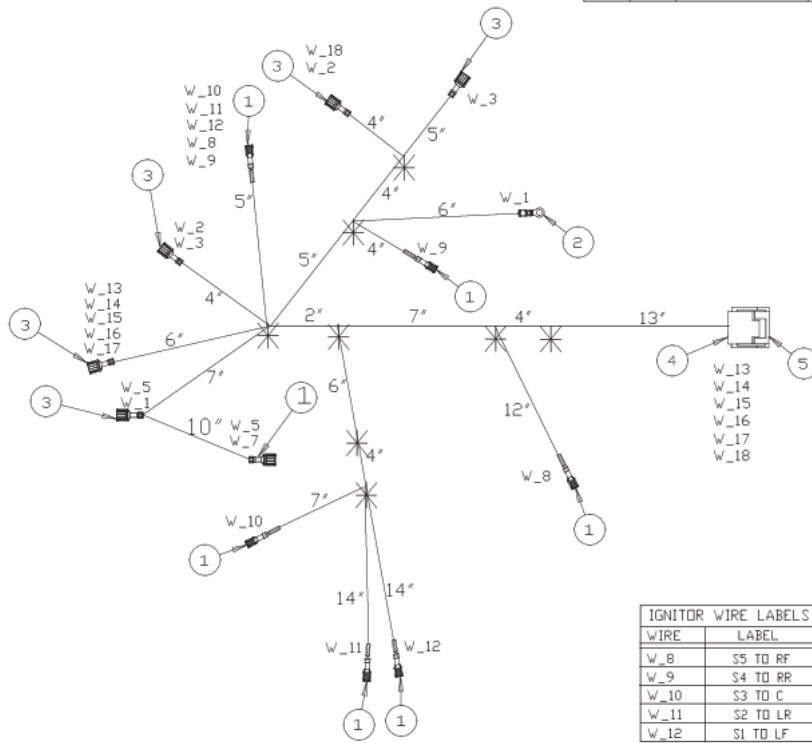


Item	Part No.	Name	Qty	Uom	NOTES
1	PD020123	BOLT 1/4-20 X 3 HEX HD	1	EA	
2	PE070069	STRAIGHT-THRU BUSHING	1	EA	
3	PD030029	SELF RETAINING NUT (1/4-20)	1	EA	
4	A2005721	MOUNT BRACKET (DECU)	1	EA	
5	G4007440	SUPPLY CORD ASSY	1	EA	

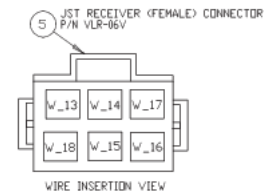
WIRE HARNESS

INDEX #	QTY.	COMPONENT	Wire Size	Wiring Tab	DESCRIPTION
1	7	110_FEMALE_INSULATED	22-18 AWG	.032 x.110	110 Female Insulated
2	1	RING_TERMINAL	22-18 AWG	none	250 Ring Terminal
3	5	250_FEMALE	22-18	.032 x.290	250 Female
4	6	PIN_CONTACT	22-18	N/A	JST PIN CONTACT
5	1	RECEIVER	N/A	N/A	6 POS. FEMALE CONNECTOR

Wire	Color	Spool	Temp	Volt
W_1	Grn_Yel	18_GRN_YEL_SF2	200c	600
W_2	Blk	18_BLK_SF2	200c	600
W_3	Wht	18_WHT_SF2	200c	600
W_5	Grn_Yel	18_GRN_YEL_SF2	200c	600
W_8	Wht	18_WHT_IGN_SF2	200c	10kVAC
W_9	Wht	18_WHT_IGN_SF2	200c	10kVAC
W_10	Wht	18_WHT_IGN_SF2	200c	10kVAC
W_11	Wht	18_WHT_IGN_SF2	200c	10kVAC
W_12	Wht	18_WHT_IGN_SF2	200c	10kVAC
W_13	Vio	18_VIO_SF2	200c	600
W_14	Yel	18_YEL_SF2	200c	600
W_15	Blu	18_BLU_SF2	200c	600
W_16	Drp	18_DRG_SF2	200c	600
W_17	Red	18_RED_SF2	200c	600
W_18	Blk	18_BLK_SF2	200c	600
W_19	Grn_Yel	18_GRN_YEL_SF2	200c	600



WIRE	LABEL
W_8	S5 TO RF
W_9	S4 TO RR
W_10	S3 TO C
W_11	S2 TO LR
W_12	S1 TO LF





Item	Part No.	Name	Qty	Uom	NOTES
1	PE070873	DGSU160 WIRE HARNESS	1	EA	



Appendix A:Pages Index

BURNER BOX INTERIOR ..... 1  
CONTROL AREA ..... 2  
IGNITER SWITCH HARNESS ..... 3  
SURFACE COOKING AREA ..... 4  
UNIT EXTERIOR ..... 5  
WIRE HARNESS ..... 6





Appendix B:Parts Index

003577-000	2	PB010214PVD	2
007146-000	2	PB020189	2
014780-000	4	PB020190	1
A1005718	1	PB020198	1
A20014779	2	PB040196	1
A2005721	5	PB040197	1
A2007834	1	PB040198	1
E92014573BK	4	PB040199	1
E92014573BT	4	PB040200	1
E92014573GG	4	PB040201	1
E92014573SG	4	PB040202	1
E92014573WH	4	PB040203	1
G4007440	5	PB040204	1
PA020042	1	PB040231	2
PA050087	2	PB040236	1
PA060063	4	PB050067	1
PA060064	4	PB050069	4
PA060065	4	PB050070	4
PA060074	4	PB050071	4
PA060075	4	PB050072	4
PA060076	4	PB070079	2
PA060085	4	PD010012	2
PA060086	4	PD020004	1, 2
PA060087	4	PD020123	5
PA060088	4	PD020159	4
PA060089	4	PD030029	5
PA060090	4	PD040005	1
PA070004	2	PE070069	5
PA070005	2	PE070819	2, 3
PA080088	4	PE070873	6
PA080089	4		
PA080090	4		
PA080091	4		
PA080092	4		
PA080093	4		
PA080094	4		
PA080095	4		
PB010200	2		
PB010200PVD	2		
PB010214	2		