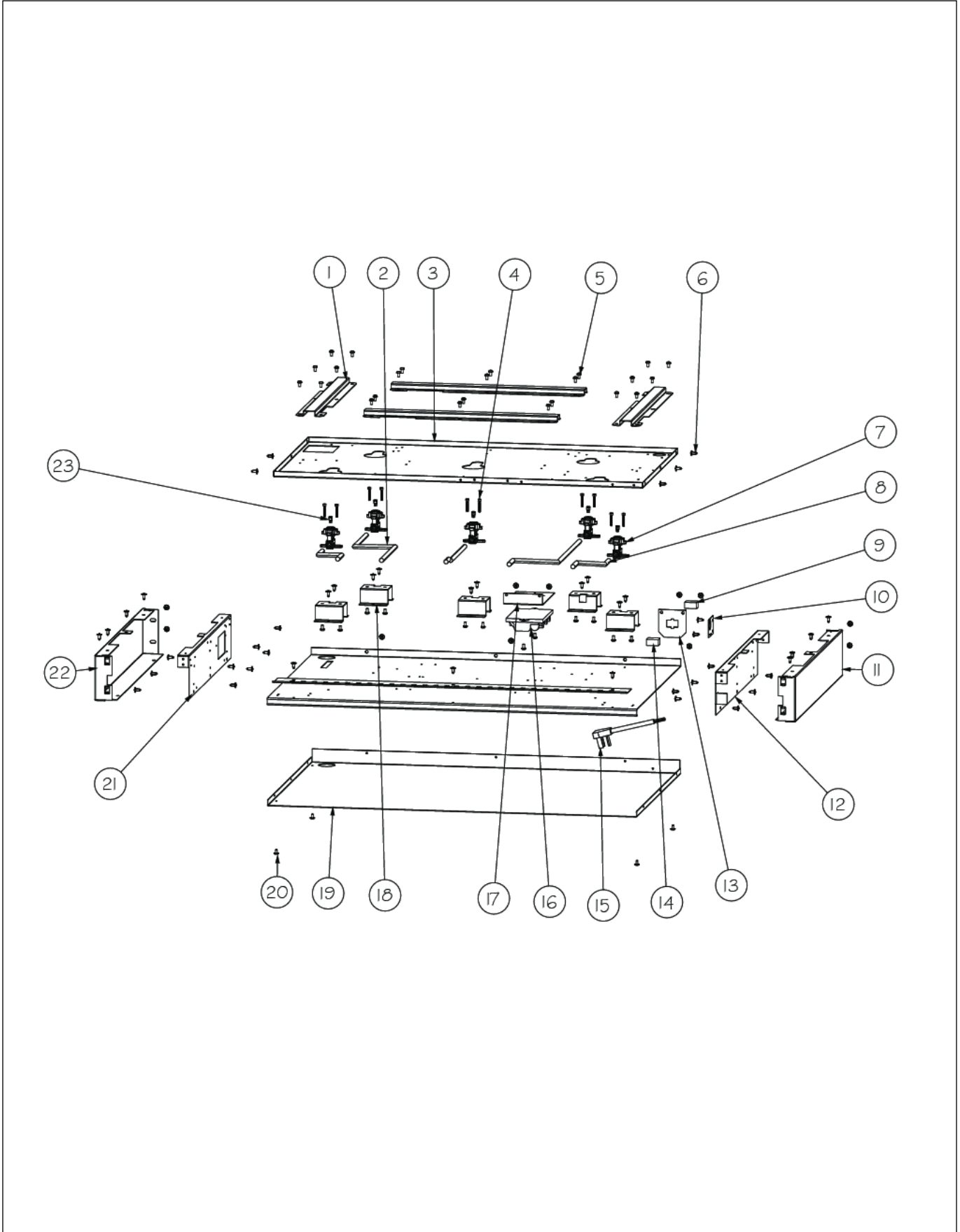


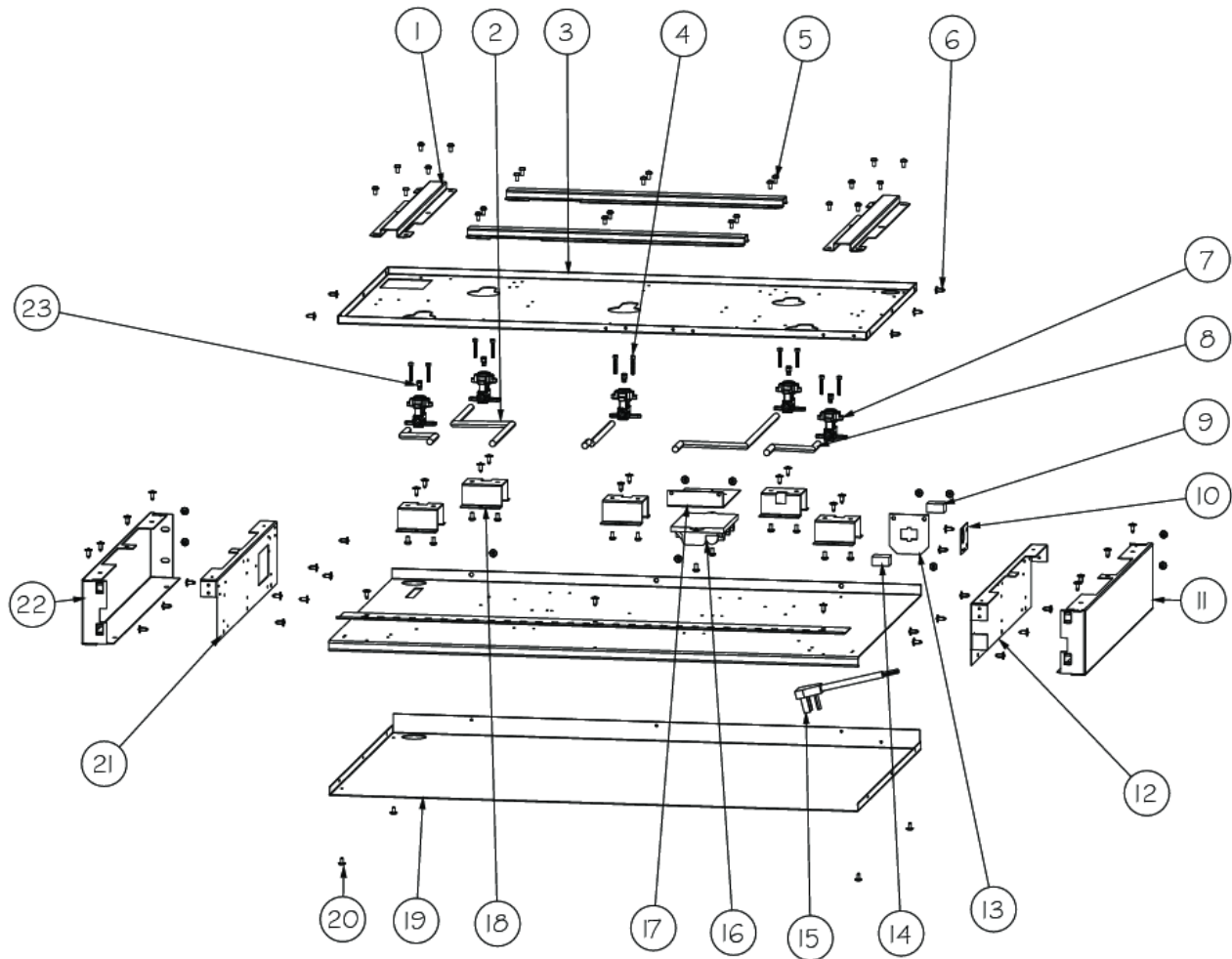
DGRT361-5B

BURNER BOX ASSEMBLY	1
CONTROL AREA	2
ISLAND TRIM ASSEMBLY	3
SURFACE BURNER AREA	4
Appendix A:Pages Index	A
Appendix B:Parts Index	B

BURNER BOX ASSEMBLY



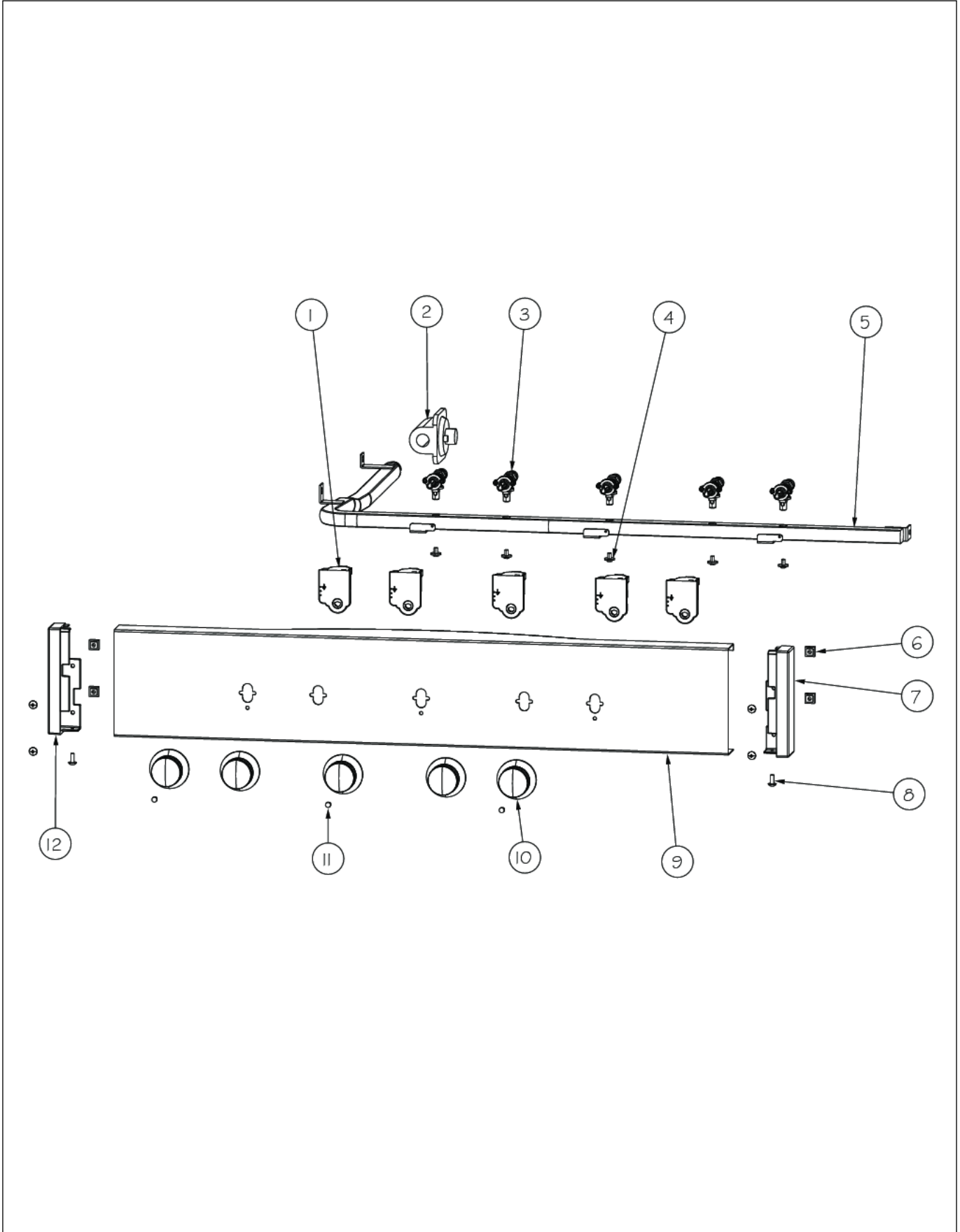
Item	Part No.	Name	Qty	Uom	NOTES
1	A20011280	BURNER PAN SPACER	4	EA	
2	PB020191	15" FLEX TUBE	3	EA	
3	A20011265	BURNER PAN SUPPORT	1	EA	
4	PD020159	DGSU BURNER BASE SCREW	10	EA	
5	PD020004	10X3/8PH.HD.TYPE 25 REPL PD040125	36	EA	
6	PD020002	10 X 1/2 PH.TR.HD.SMS.	53	EA	
7	PB050067	JETHOLDER	1	EA	
8	PB020190	10" FLEX TUBE	2	EA	
9	PA070007	LP TANK REGULATOR (VGBQ)	1	EA	
NI	013386-000	LP PRESSURE REGULATOR	1	EA	
10	A1001138	MANIFOLD BRKT	1	EA	NO LONGER AVAILABLE, Not available online / Call for pricing and availability
11	B20011272	SIDE PANEL, RH	1	EA	NO LONGER AVAILABLE, Not available online / Call for pricing and availability
12	A20011268	BURNER BOX SIDE, RH	1	EA	
13	A10011273	PLUG BRACKET	1	EA	
14	PE070070	Disconnect Block - Male	1	EA	
15	G4007440	SUPPLY CORD ASSY	1	EA	
16	PA020048	Spark Module (6B /6G/ 4Q)	1	EA	
17	A20012110	SPARK MODULE BRKT.- VGRT362	1	EA	
18	A20013838	JET HOLDER SPACER	5	EA	NO LONGER AVAILABLE, Not available online / Call for pricing and availability
19	A20014533	36" BURNER BOX BOTTOM	1	EA	NO LONGER AVAILABLE, Not available online / Call for pricing and availability
20	PD020032	SRW-8(A)X3/8"PH.WFR HD 7/16DIA*NICL	1	EA	
21	A20011267	BURNER BOX SIDE, LH	1	EA	
22	B20011271	SIDE PANEL, LH	1	EA	





Item	Part No.	Name	Qty	Uom	NOTES
23	PB040197	# 53 ORIFICE FOR SEALED BURNER	1	EA	
NI	PB040199	ORIFICE NO.56	1	EA	
NI	PB040236	#55 NAT	1	EA	
NI	PB040254	#49 NAT	1	EA	
NI	PB040255	NO.52 NAT	1	EA	
NI	PB040270	#71 ORIFICE FOR SEALED BURNER	1	EA	
NI	PB040257	LP Orifice #66	1	EA	
NI	PB040272	#64 ORIFICE FOR SEALED BURNER	1	EA	
NI	PB040271	#60 LP	1	EA	
NI	PB040199	ORIFICE NO.56	1	EA	

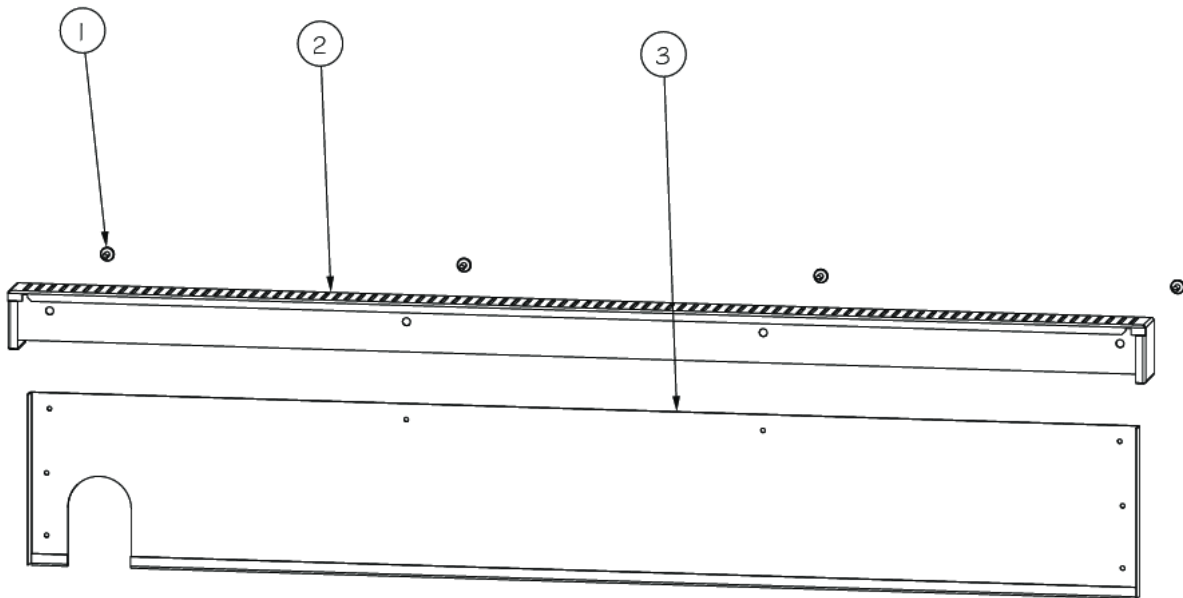
CONTROL AREA





Item	Part No.	Name	Qty	Uom	NOTES
1	PA020058	IRIS SINGLE SPARK MODULE	5	EA	
2	PA070003	PRESSURE REGULATOR (NAT.)	1	EA	
3	003515-000	PA010157 VALVE AND BOLT KIT	5	EA	
4	PD010012	VALVE BOLT 1/4-20 UNC-2B 5/16" M.S.	5	EA	
5	PA050101	DESIGNER RANGETOP MANIFOLD, 36"	1	EA	NO LONGER AVAILABLE, Not available online / Call for pricing and availability
6	PD030005	SELF RETAINING NUT	4	EA	
7	PE030141	CONTROL PANEL END CAP, RH DGRT	1	EA	Not available online / Call for pricing and availability
8	PD010003	10-24 X 1/2 PH.TR.HD.SERD.M.S.	6	EA	
9	016765-000	CONTROL PANEL, DGRT361-5B W/GRAPHICS	1	EA	
10	PA010163	DGRT KNOB-CHROME W/BLACK SLEEVE	5	EA	
11	PD020067	' #6 X 3/8" PAN PHIL. TEK *SS*	3	EA	
12	PE030140	CONTROL PANEL END CAP, LH DGRT	1	EA	Not available online / Call for pricing and availability

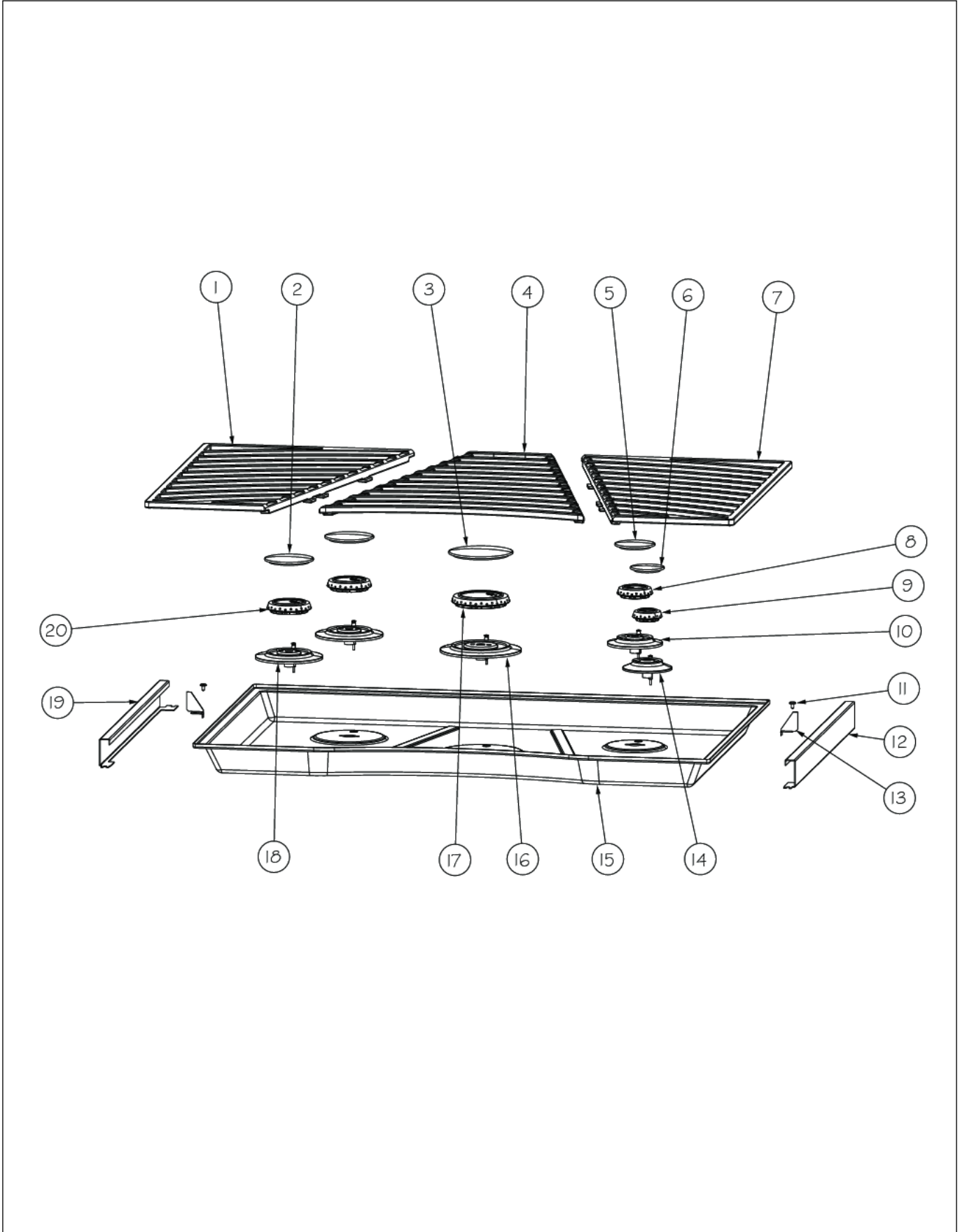
ISLAND TRIM ASSEMBLY





Item	Part No.	Name	Qty	Uom	NOTES
1	PD020046	#8 X 1/2 SCREWS	4	EA	
2	B30011275	ISLAND TRIM TOP	1	EA	Not available online / Call for pricing and availability
3	A20011279	ISLAND TRIM, BACK, 36"	1	EA	

SURFACE BURNER AREA





Item	Part No.	Name	Qty	Uom	NOTES
1	PA060100	LEFT GRATE, DGRT360 (BK)	1	EA	
2	PA080107	DGRT-C BURNER CAP- BLACK	2	EA	
3	PA080083	D BURNER CAP *MATTE BLACK*	1	EA	
4	PA060102	CENTER GRATE, DGRT360 (BK)	1	EA	
5	PA080105	DGRT-B BURNER CAP- BLACK	1	EA	
6	PA080103	DGRT-A BURNER CAP- BLACK	1	EA	
7	PA060104	RIGHT GRATE, DGRT360 (BK)	1	EA	
8	PA080100	DGRT-B COMPLETE BURNER HEAD ASSEMBLY	1	EA	
9	PA080099	DGRT-A COMPLETE BURNER HEAD ASSEMBLY	1	EA	
10	PB050071	B-BASE	1	EA	
11	PD020032	SRW-8(A)X3/8"PH.WFR HD 7/16DIA*NICL	2	EA	
12	B20011270	SIDE TRIM, RH	1	EA	
13	A20014958	DESIGNER SIDE TRIM SUPPORT	2	EA	
14	PB050072	A-BASE	1	EA	
15	B21011264	BURNER PAN DGRT360	1	EA	
NI	E91011264BK	BURNER PAN DGRT360 *BK* - NLA	1	EA	NO LONGER AVAILABLE
NI	E91011264WH	BURNER PAN DGRT360 *WH*	1	EA	
NI	E91011264GG	BURNER PAN DGRT360 *GG*	1	EA	
NI	E91011264SG	BURNER PAN - SG	1	EA	Not available online / Call for pricing and availability
16	PB050069	D-BASE	1	EA	
17	PA080102	DGRT-D COMPLETE BURNER HEAD ASSEMBLY	1	EA	
18	PB050070	C-BASE	2	EA	
19	B20011269	SIDE TRIM, LH	1	EA	
20	PA080101	DGRT-C COMPLETE BURNER HEAD ASSEMBLY	2	EA	



Appendix A:Pages Index

BURNER BOX ASSEMBLY	1
CONTROL AREA	2
ISLAND TRIM ASSEMBLY	3
SURFACE BURNER AREA	4



Appendix B:Parts Index

003515-000	2	PA080105	4
013386-000	1	PA080107	4
016765-000	2	PB020190	1
A10011273	1	PB020191	1
A1001138	1	PB040197	1
A20011265	1	PB040199	1, 1
A20011267	1	PB040236	1
A20011268	1	PB040254	1
A20011279	3	PB040255	1
A20011280	1	PB040257	1
A20012110	1	PB040270	1
A20013838	1	PB040271	1
A20014533	1	PB040272	1
A20014958	4	PB050067	1
B20011269	4	PB050069	4
B20011270	4	PB050070	4
B20011271	1	PB050071	4
B20011272	1	PB050072	4
B21011264	4	PD010003	2
B30011275	3	PD010012	2
E91011264BK	4	PD020002	1
E91011264GG	4	PD020004	1
E91011264SG	4	PD020032	1, 4
E91011264WH	4	PD020046	3
G4007440	1	PD020067	2
PA010163	2	PD020159	1
PA020048	1	PD030005	2
PA020058	2	PE030140	2
PA050101	2	PE030141	2
PA060100	4	PE070070	1
PA060102	4		
PA060104	4		
PA070003	2		
PA070007	1		
PA080083	4		
PA080099	4		
PA080100	4		
PA080101	4		
PA080102	4		
PA080103	4		