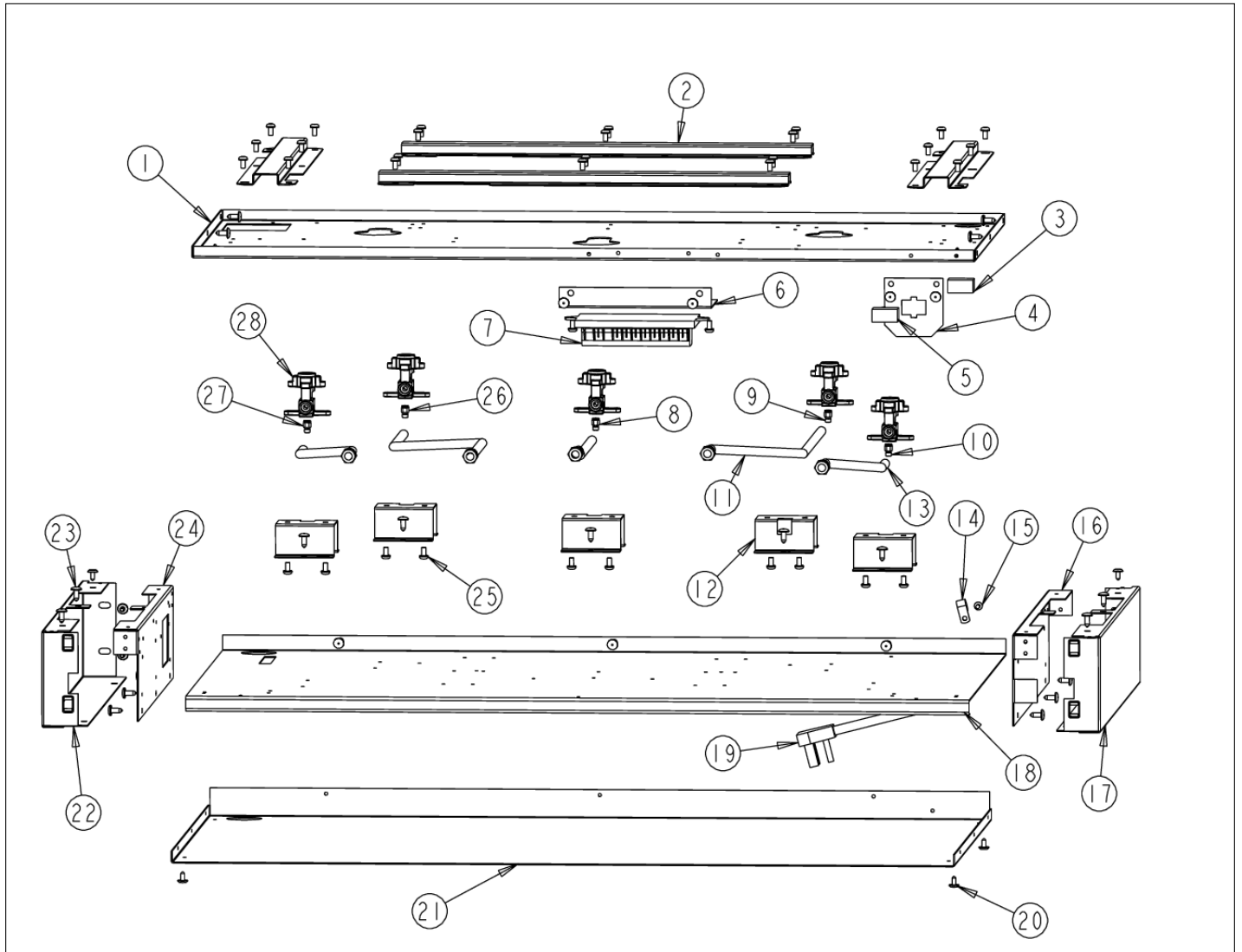


**DGRT360**

BURNER BOX SUBASSEMBLY .....	1
BURNER GRATE AREA .....	2
CONTROL AREA .....	3
G40014926 WIRE HARNESS .....	4
ISLAND TRIM .....	5
SINGLE WIRING 1 .....	6
SINGLE WIRING 2 .....	7
SIX INCH BACKGAURD .....	8
TEN INCH BACKGAURD .....	9
Appendix A:Pages Index .....	A
Appendix B:Parts Index .....	B

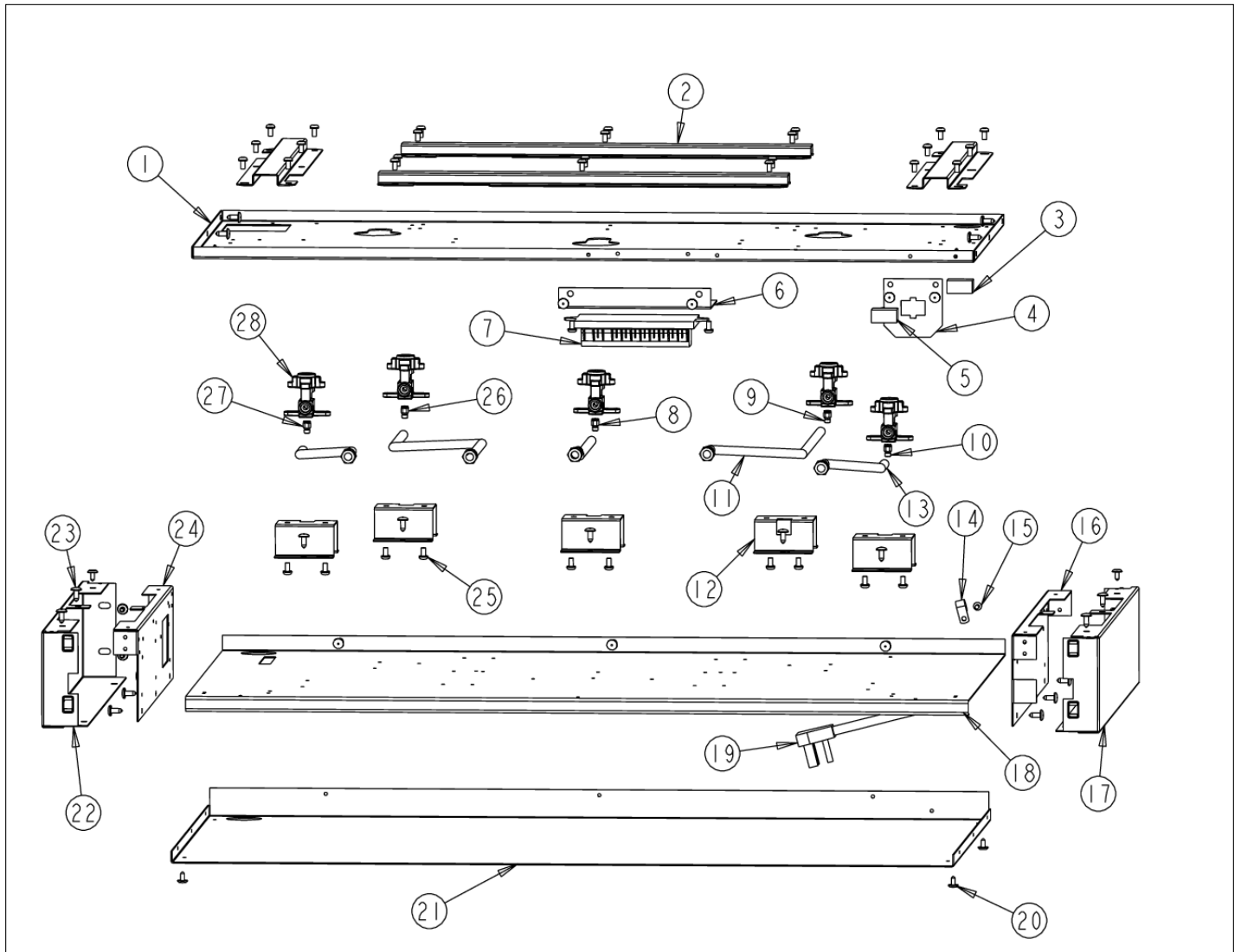


BURNER BOX SUBASSEMBLY





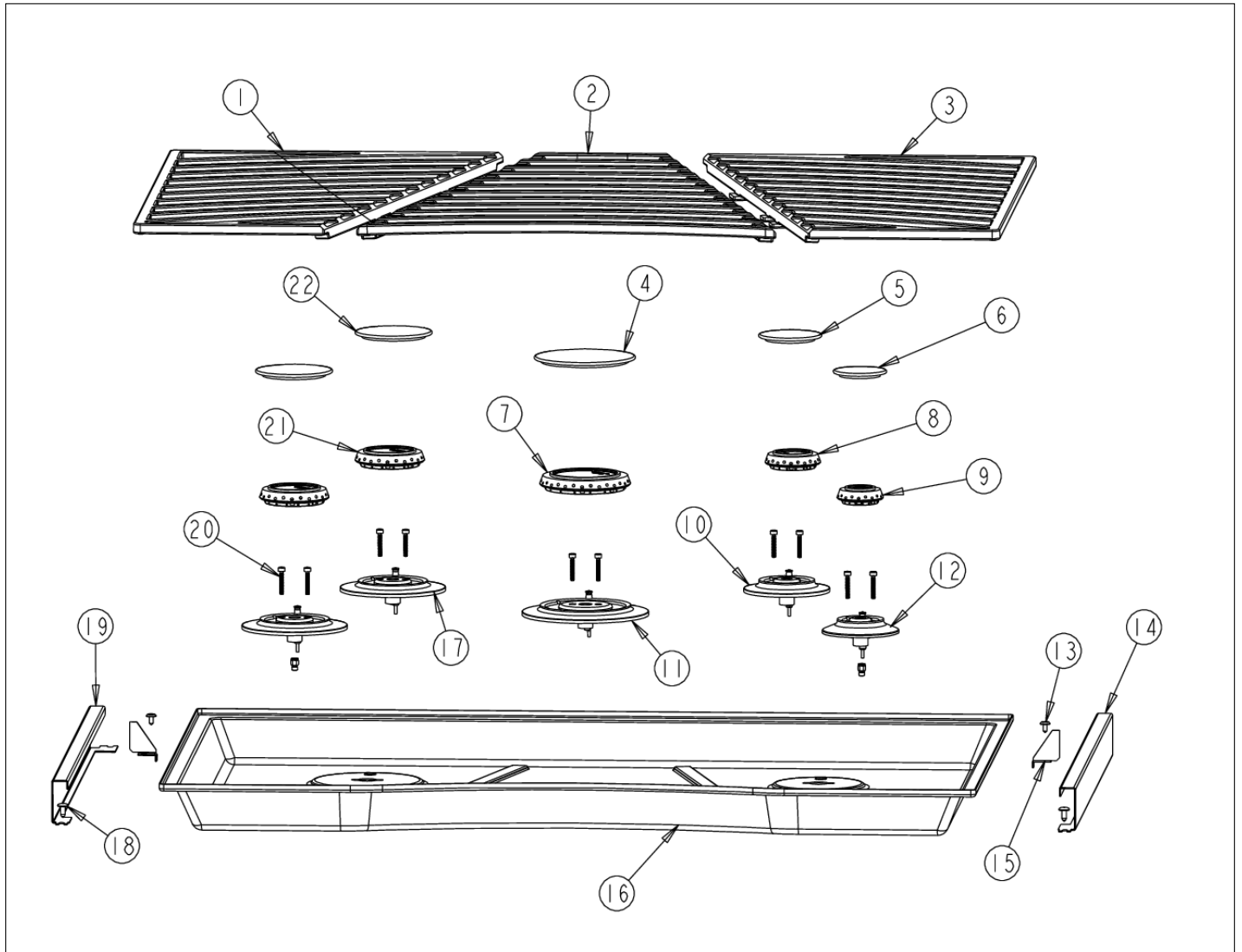
Item	Part No.	Name	Qty	Uom	NOTES
1	A20011265	BURNER PAN SUPPORT	1	EA	
2	A20011280	BURNER PAN SPACER	1	EA	
3	PE070071	Disconnect Block - Female	1	EA	
4	A10011273	PLUG BRACKET	1	EA	
5	PE070070	Disconnect Block - Male	1	EA	
6	A20011287	SPARK MODULE BRACKET	1	EA	
7	PA020048	Spark Module (6B /6G/ 4Q)	1	EA	
8	PB040254	#49 NAT	1	EA	
Not Shown	PB040199	ORIFICE NO.56	1	EA	
9	PB040236	#55 NAT	1	EA	
Not Shown	PB040257	LP Orifice #66	1	EA	
10	PB040200	#57 ORIFICE - LP	1	EA	
Not Shown	PB040270	#71 ORIFICE FOR SEALED BURNER	1	EA	
11	PB020191	15" FLEX TUBE	1	EA	
12	A20013838	JET HOLDER SPACER	1	EA	NO LONGER AVAILABLE, Not available online / Call for pricing and availability
13	PB020190	10" FLEX TUBE	1	EA	
14	PD030009	CLAMP, AL-8 (.500")	1	EA	
15	PD020010	10 X 3/8 GREEN GROUNDING SCREW	1	EA	
16	A20011268	BURNER BOX SIDE, RH	1	EA	
17	B20011272	SIDE PANEL, RH	1	EA	NO LONGER AVAILABLE, Not available online / Call for pricing and availability
18	A20014534	36" BOTTOM INS PANEL	1	EA	NO LONGER AVAILABLE, Not available online / Call for pricing and availability
19	G4007440	SUPPLY CORD ASSY	1	EA	
20	PD020032	SRW-8(A)X3/8"PH.WFR HD 7/16DIA*NICL	1	EA	





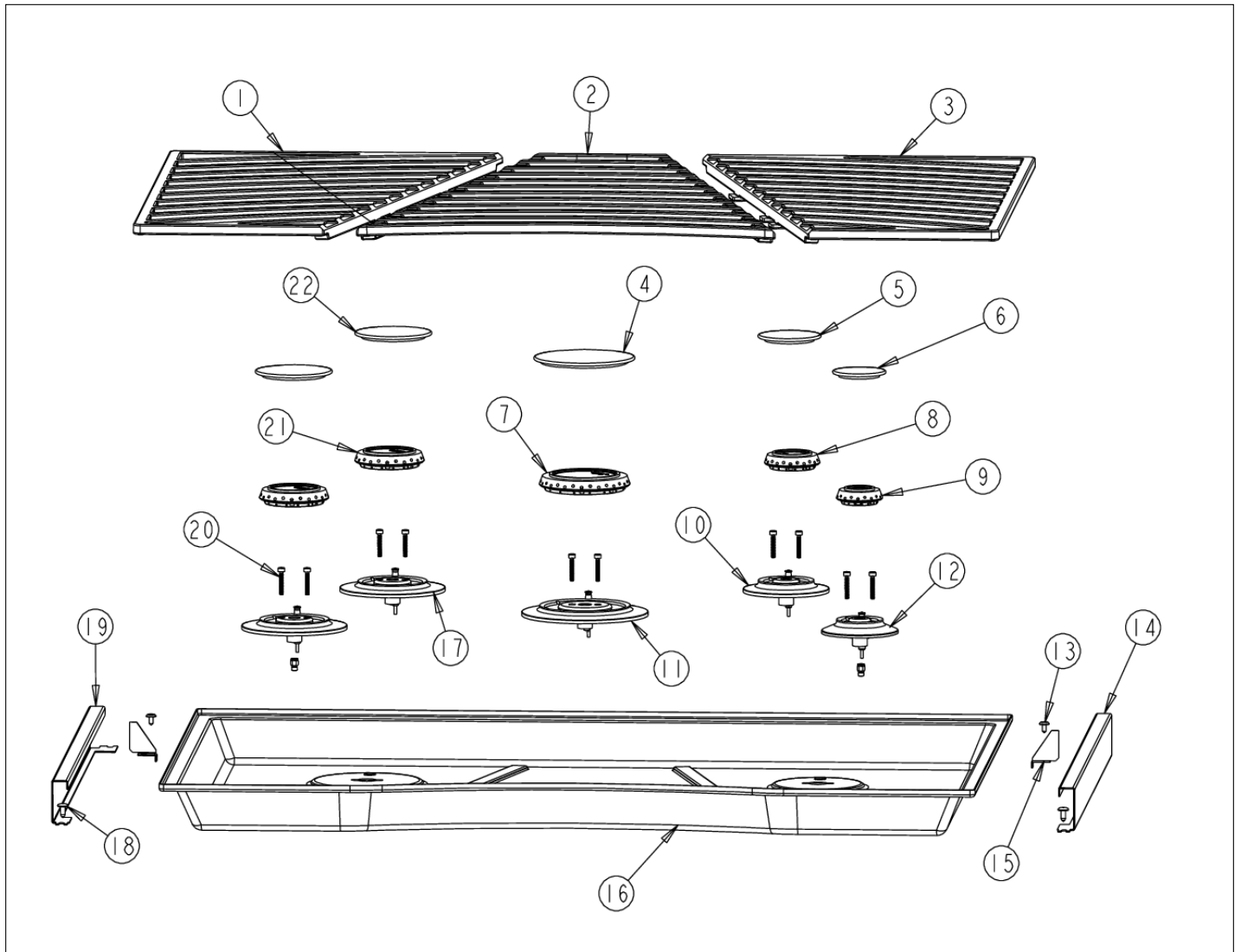
Item	Part No.	Name	Qty	Uom	NOTES
21	A20014533	36" BURNER BOX BOTTOM	1	EA	NO LONGER AVAILABLE, Not available online / Call for pricing and availability
22	B20011271	SIDE PANEL, LH	1	EA	
23	PD020002	10 X 1/2 PH.TR.HD.SMS.	1	EA	
24	A20011267	BURNER BOX SIDE, LH	1	EA	
25	PD020004	10X3/8PH.HD.TYPE 25 REPL PD040125	1	EA	
26	PB040198	# 54 ORIFICE FOR SEALED BURNER	1	EA	
Not Shown	PB040272	#64 ORIFICE FOR SEALED BURNER	1	EA	
27	PB040255	NO.52 NAT	1	EA	
Not Shown	PB040271	#60 LP	1	EA	
28	PB050067	JETHOLDER	1	EA	

BURNER GRATE AREA





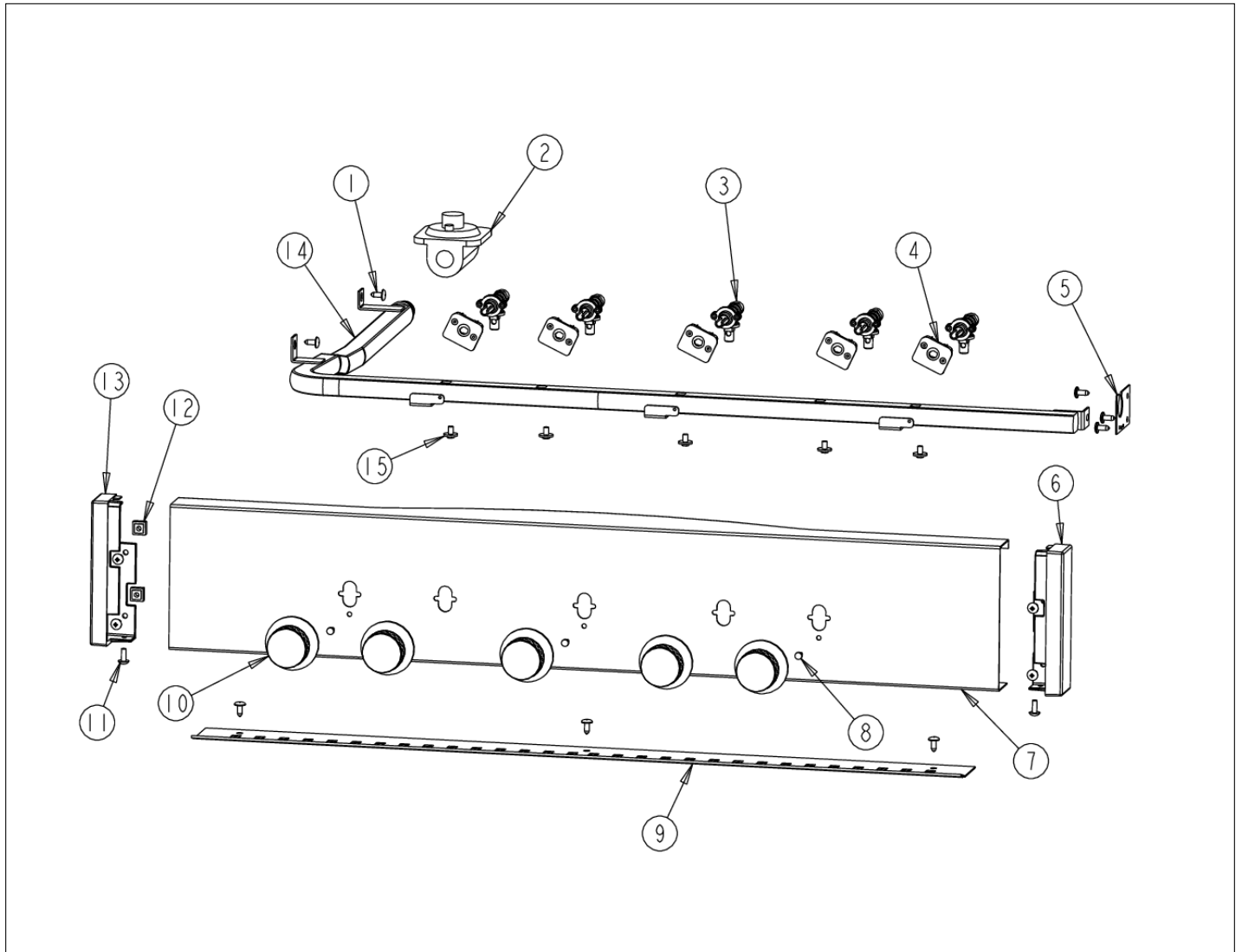
Item	Part No.	Name	Qty	Uom	NOTES
1	PA060100	LEFT GRATE, DGRT360 (BK)	1	EA	
Not Shown	PA060101	LEFT GRATE, DGRT360 (GREY)	1	EA	NO LONGER AVAILABLE, Not available online / Call for pricing and availability
2	PA060102	CENTER GRATE, DGRT360 (BK)	1	EA	
Not Shown	PA060103	CENTER GRATE, DGRT360 (GREY)	1	EA	NO LONGER AVAILABLE, Not available online / Call for pricing and availability
3	PA060104	RIGHT GRATE, DGRT360 (BK)	1	EA	
Not Shown	PA060105	RIGHT GRATE, DGRT360 (GREY)	1	EA	NO LONGER AVAILABLE, Not available online / Call for pricing and availability
4	PA080083	D BURNER CAP *MATTE BLACK*	1	EA	
Not Shown	PA080086	Burner Cap - GR	1	EA	
5	PA080105	DGRT-B BURNER CAP- BLACK	1	EA	
Not Shown	PA080106	DGRT-"B" BURNER CAP- GRAY	1	EA	
6	PA080103	DGRT-A BURNER CAP- BLACK	1	EA	
Not Shown	PA080104	DGRT-"A" BURNER CAP- GRAY	1	EA	
7	PA080102	DGRT-D COMPLETE BURNER HEAD ASSEMBLY	1	EA	
8	PA080100	DGRT-B COMPLETE BURNER HEAD ASSEMBLY	1	EA	
9	PA080099	DGRT-ACOMPLETE BURNER HEAD ASSEMBLY	1	EA	
10	PB050071	B-BASE	1	EA	
11	PB050069	D-BASE	1	EA	
12	PB050072	A-BASE	1	EA	
13	PD020032	SRW-8(A)X3/8"PH.WFR HD 7/16DIA*NICL	1	EA	
14	B20011270	SIDE TRIM, RH	1	EA	
15	A20014958	DESIGNER SIDE TRIM SUPPORT	1	EA	
16	B21011264	BURNER PAN DGRT360	1	EA	





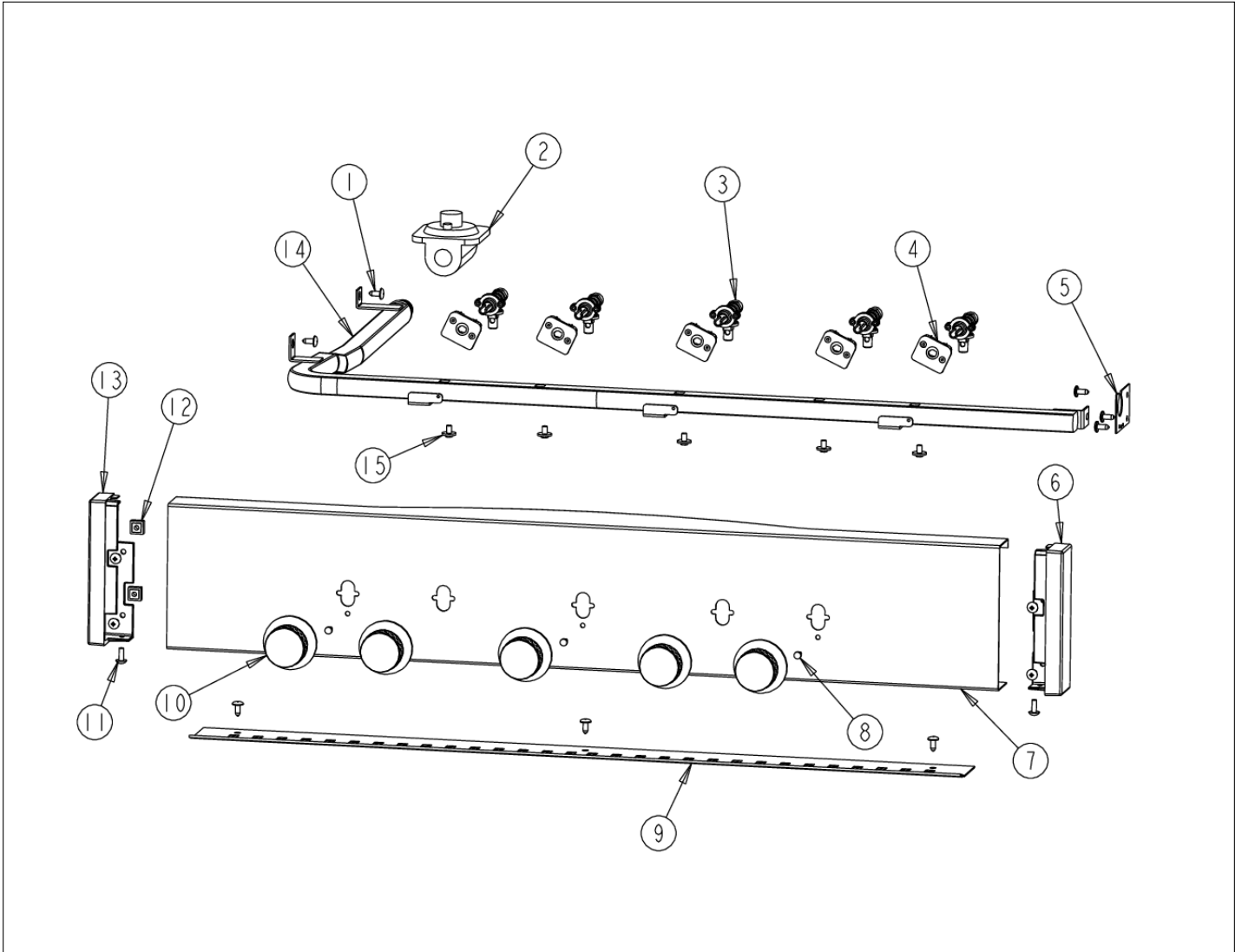
Item	Part No.	Name	Qty	Uom	NOTES
Not Shown	E91011264BK	BURNER PAN DGRT360 *BK* - NLA	1	EA	NO LONGER AVAILABLE
Not Shown	E91011264BT	BURNER PAN - BT	1	EA	Not available online / Call for pricing and availability
Not Shown	E91011264GG	BURNER PAN DGRT360 *GG*	1	EA	
Not Shown	E91011264SG	BURNER PAN - SG	1	EA	Not available online / Call for pricing and availability
Not Shown	E91011264WH	BURNER PAN DGRT360 *WH*	1	EA	
17	PB050070	C-BASE	1	EA	
18	PB020002	SCREW 10 X 1/2 PH TR SMS	1	EA	Not available online / Call for pricing and availability
19	B20011269	SIDE TRIM, LH	1	EA	
20	PD020159	DGSU BURNER BASE SCREW	1	EA	
21	PA080101	DGRT-C COMPLETE BURNER HEAD ASSEMBLY	1	EA	
22	PA080107	DGRT-C BURNER CAP- BLACK	1	EA	

CONTROL AREA





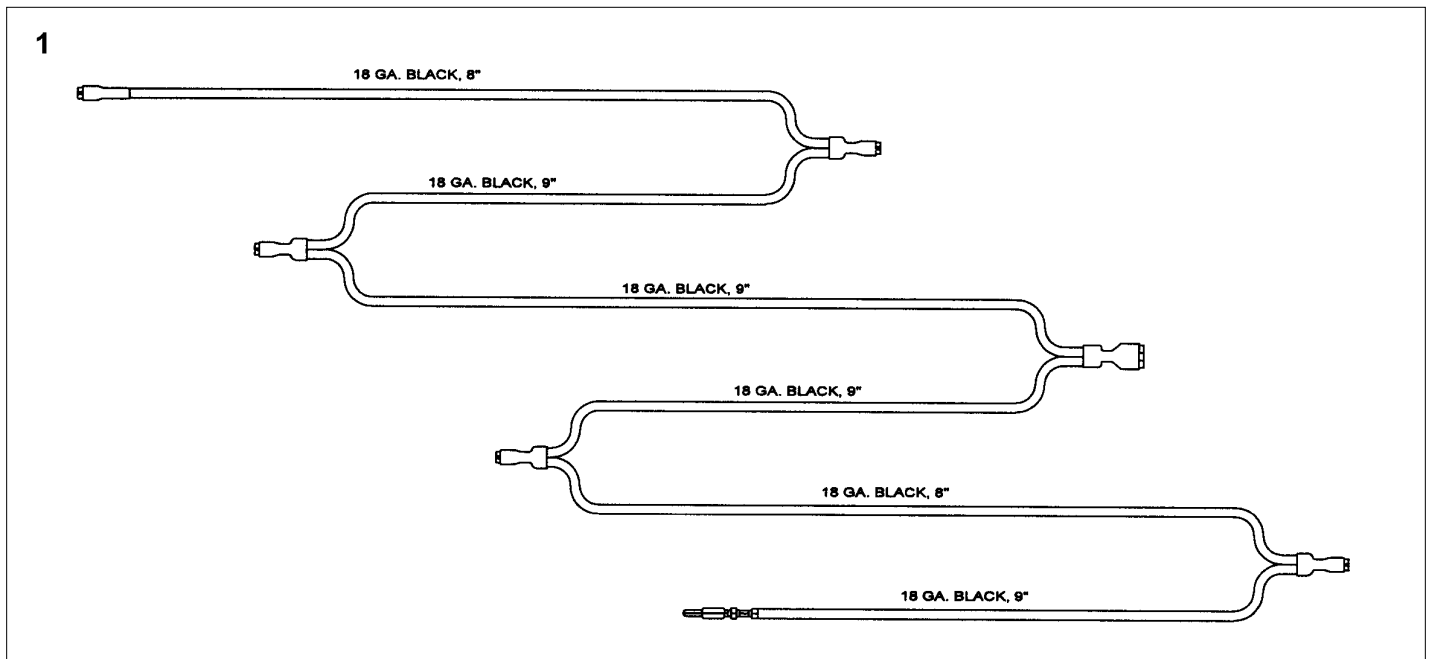
Item	Part No.	Name	Qty	Uom	NOTES
1	PD020002	10 X 1/2 PH.TR.HD.SMS.	1	EA	
2	PA070003	PRESSURE REGULATOR (NAT.)	1	EA	
3	PA010211	DGRT TOP BURNER VALVE	1	EA	
4	PA020045	Spark Ignition Switch	1	EA	
5	A1001138	MANIFOLD BRKT	1	EA	NO LONGER AVAILABLE, Not available online / Call for pricing and availability
6	PE030141	CONTROL PANEL END CAP, RH DGRT	1	EA	Not available online / Call for pricing and availability
7	B92011266	CONTROL PANEL 36"	1	EA	
8	PD020067	' #6 X 3/8" PAN PHIL. TEK *SS*	1	EA	
9	A20013836	FINGER SHIELD, 36"	1	EA	NO LONGER AVAILABLE, Not available online / Call for pricing and availability
10	PA010163	DGRT KNOB-CHROME W/BLACK SLEEVE	1	EA	
Not Shown	PA010163PVD	DGRT KNOB-BRASS W/BLACK SLEEVE	1	EA	NO LONGER AVAILABLE, Not available online / Call for pricing and availability
Not Shown	PA010165	DGRT KNOB - CHROME W/GRAY SLEEVE	1	EA	NO LONGER AVAILABLE, Not available online / Call for pricing and availability
Not Shown	PA010165PVD	DGRT KNOB - BRASS W/GRAY SLEEVE	1	EA	
11	PD010003	10-24 X 1/2 PH.TR.HD.SERD.M.S.	1	EA	
12	PD030005	SELF RETAINING NUT	1	EA	
13	PE030140	CONTROL PANEL END CAP, LH DGRT	1	EA	Not available online / Call for pricing and availability
14	PA050101	DESIGNER RANGETOP MANIFOLD, 36"	1	EA	NO LONGER AVAILABLE, Not available online / Call for pricing and availability





Item	Part No.	Name	Qty	Uom	NOTES
15	PD010012	VALVE BOLT 1/4-20 UNC-2B 5/16" M.S.	1	EA	

G40014926 WIRE HARNESS

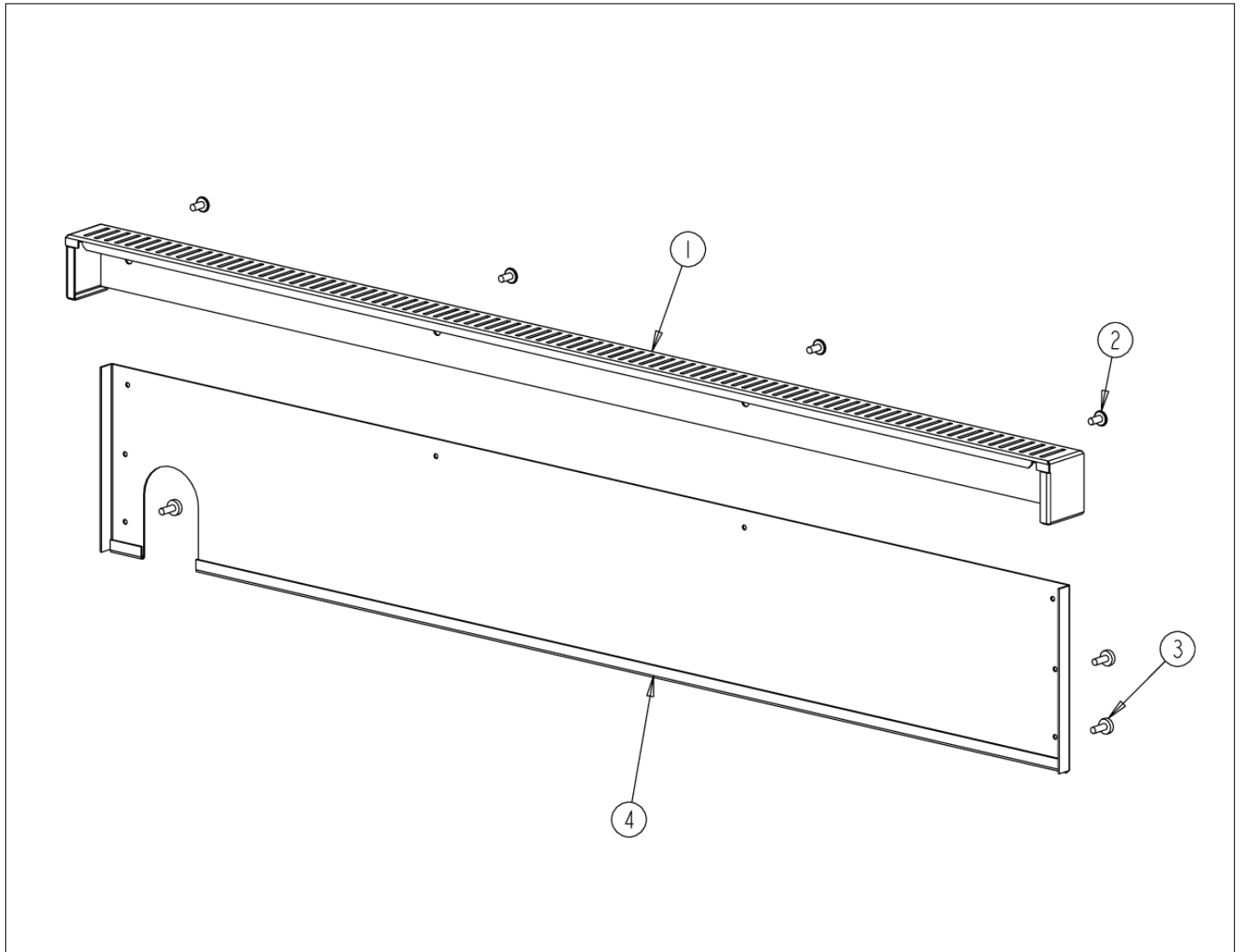






Item	Part No.	Name	Qty	Uom	NOTES
1	g40014926	WIRE HARNESS (LINE)	1	EA	Not available online / Call for pricing and availability

ISLAND TRIM

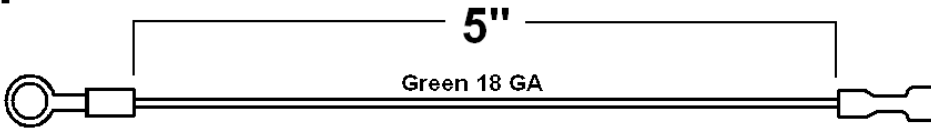




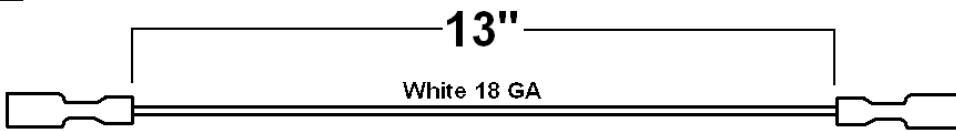
Item	Part No.	Name	Qty	Uom	NOTES
1	PD020046	#8 X 1/2 SCREWS	1	EA	
2	PD020002	10 X 1/2 PH.TR.HD.SMS.	1	EA	
3	A20011279	ISLAND TRIM, BACK, 36"	1	EA	
4	B30011275	ISLAND TRIM TOP	1	EA	Not available online / Call for pricing and availability

SINGLE WIRING 1

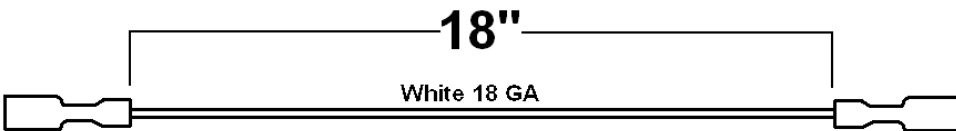
1



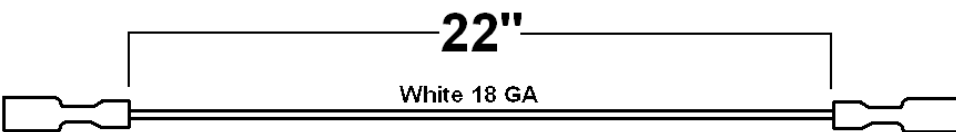
2



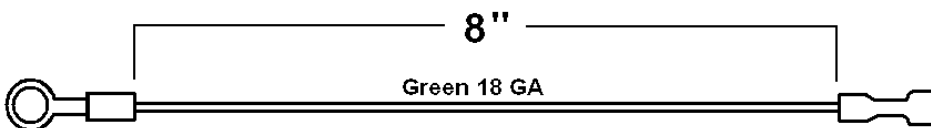
3



4



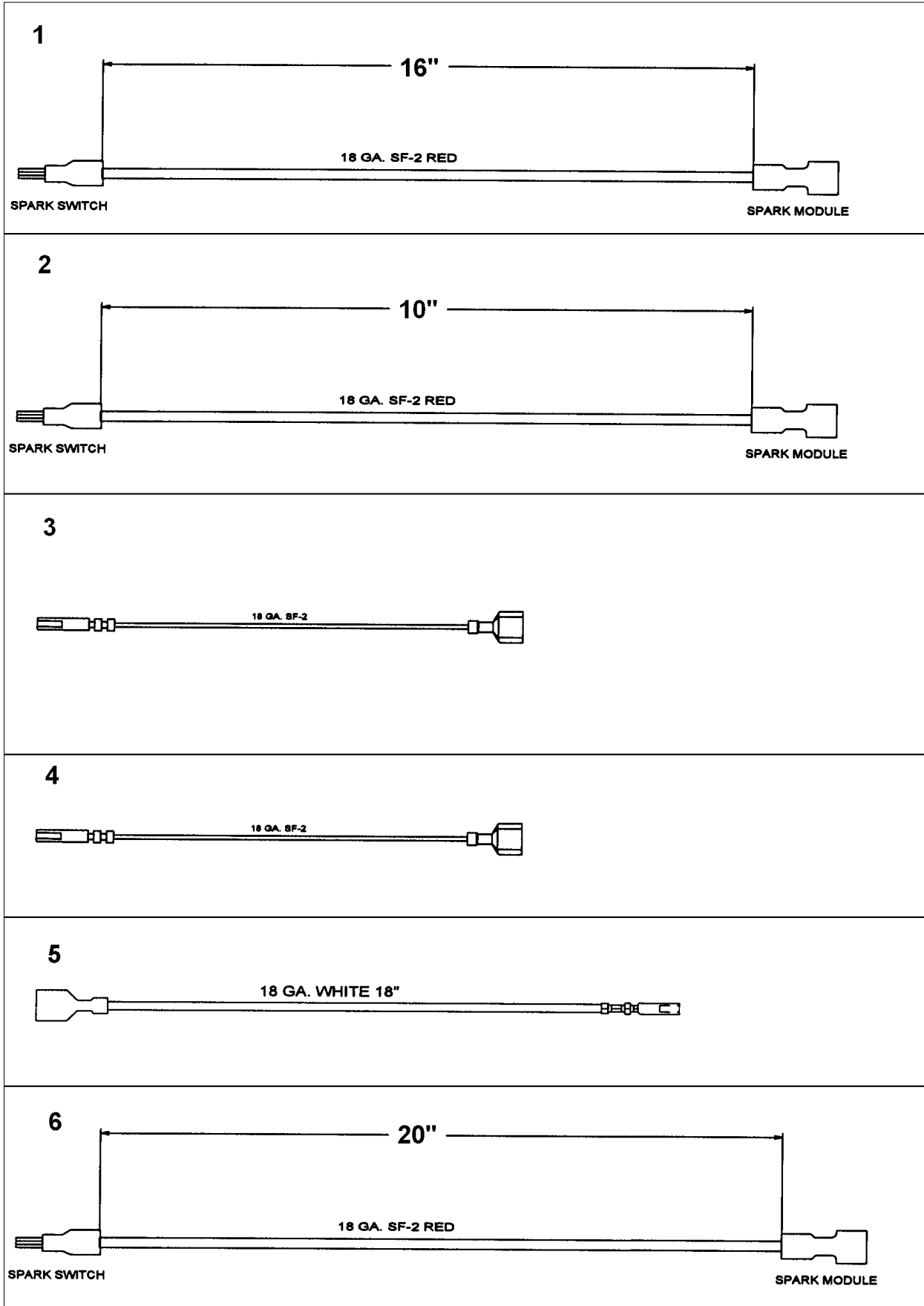
5





Item	Part No.	Name	Qty	Uom	NOTES
1	G4000936	GROUND WIRE	1	EA	
2	G40011259	IGNITER WIRE - 13"	1	EA	
3	G40013348	IGNITER WIRE - 18"	1	EA	Not available online / Call for pricing and availability
4	G4001648	SPARK IGNITER WIRE (22")	1	EA	
5	G4001656	SPARK MODULE GROUND WIRE	1	EA	

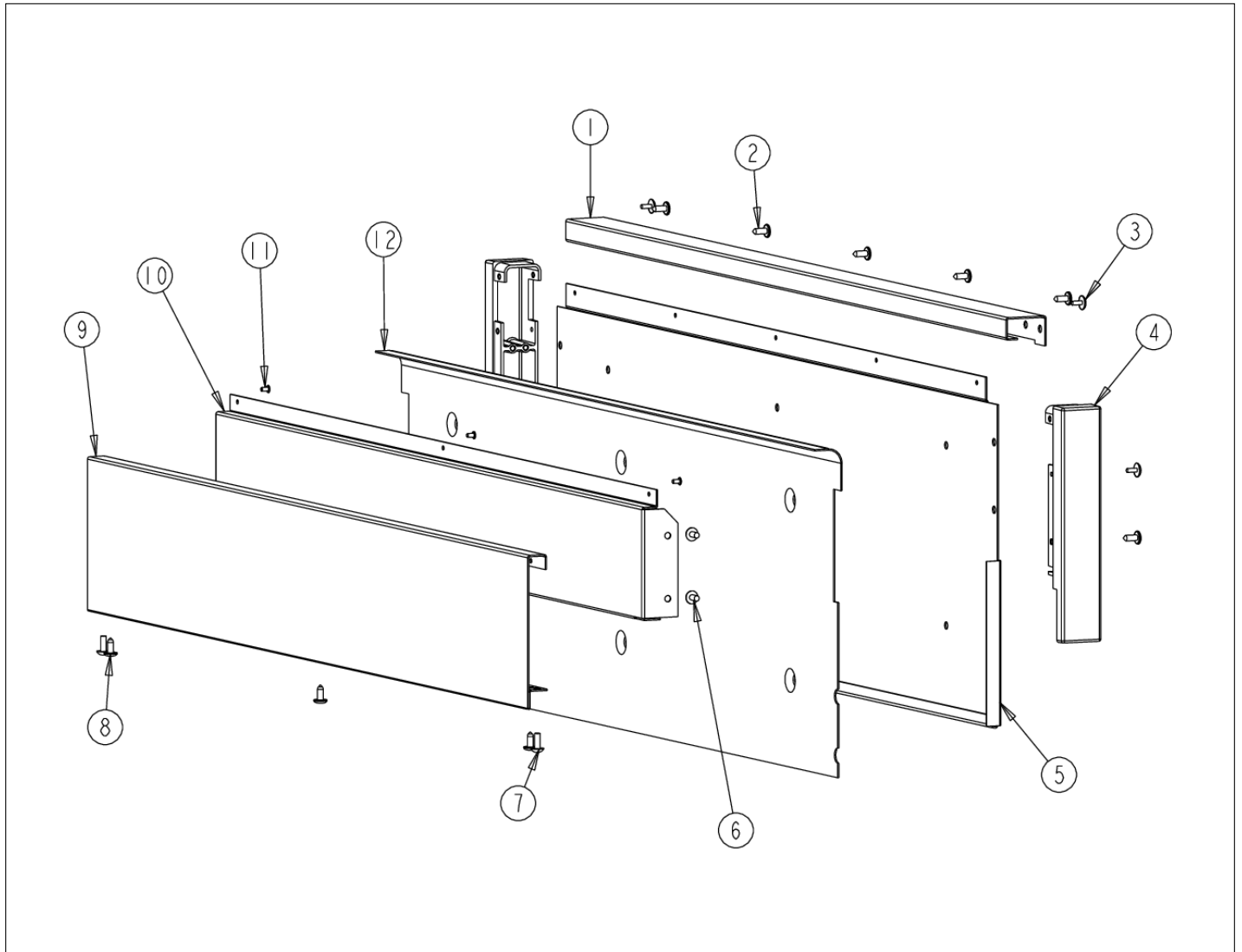
SINGLE WIRING 2





Item	Part No.	Name	Qty	Uom	NOTES
1	G4001311	WIRE ASSY *AL* VGRT (14")	1	EA	NO LONGER AVAILABLE
2	G4001312	WIRE ASSY *AL* VGRT (10")	1	EA	NO LONGER AVAILABLE, Not available online / Call for pricing and availability
3	G40012155	16" BLACK WIRE ASSY	1	EA	NO LONGER AVAILABLE
4	G40012154	16" WHITE WIRE ASSY	1	EA	NO LONGER AVAILABLE
5	G40014927	WIRE ASSEMBLY (NEUTRAL)	1	EA	Not available online / Call for pricing and availability
6	G4001567	SPARK SWT *BU*62.5"	1	EA	NO LONGER AVAILABLE, Not available online / Call for pricing and availability

SIX INCH BACKGAURD







Item	Part No.	Name	Qty	Uom	NOTES
1	B20011284	BACKGUARD, TOP	1	EA	Not available online / Call for pricing and availability
2	PD020046	#8 X 1/2 SCREWS	1	EA	
3	PD020073	SRW #10 X 24 X 3/8 WAFER HD TYPE23	1	EA	
4	PE030152	BACKGUARD ENDCAP, RH, DGRT	1	EA	NO LONGER AVAILABLE, Not available online / Call for pricing and availability
5	A20011281	BACKGUARD, BACK, 6"	1	EA	Not available online / Call for pricing and availability
6	PD020056	' #10-24 X 1/2" PH.TR. M.S. *SS*	1	EA	
7	PD010003	10-24 X 1/2 PH.TR.HD.SERD.M.S.	1	EA	
8	PD020002	10 X 1/2 PH.TR.HD.SMS.	1	EA	
9	B20011282	BACKGUARD, FRONT	1	EA	
10	A20011283	BACKGUARD, FRONT PANEL SUPPORT	1	EA	Not available online / Call for pricing and availability
11	PC040010	POP RIVET (.063/GR -.125) GAMD42-A	1	EA	
12	B20011285	HEAT DEFLECTOR	1	EA	Not available online / Call for pricing and availability





Item	Part No.	Name	Qty	Uom	NOTES
1	B20011284	BACKGUARD, TOP	1	EA	Not available online / Call for pricing and availability
2	PD020046	#8 X 1/2 SCREWS	1	EA	
3	PD020073	SRW #10 X 24 X 3/8 WAFER HD TYPE23	1	EA	
4	PE030176	BACKGUARD ENDCAP, 10" RH DGRT	1	EA	NO LONGER AVAILABLE, Not available online / Call for pricing and availability
5	A20012263	BACKGUARD BACK	1	EA	Not available online / Call for pricing and availability
6	PD020056	' #10-24 X 1/2" PH.TR. M.S. *SS*	1	EA	
7	PD010003	10-24 X 1/2 PH.TR.HD.SERD.M.S.	1	EA	
8	PD020002	10 X 1/2 PH.TR.HD.SMS.	1	EA	
9	B20012261	BACKGAURD FRONT	1	EA	Not available online / Call for pricing and availability
10	A20012264	BACKGAURD FRONT SUPPORT	1	EA	Not available online / Call for pricing and availability
11	PC040010	POP RIVET (.063/GR -.125) GAMD42-A	1	EA	
12	B20012262	INSIDE SHEILD	1	EA	Not available online / Call for pricing and availability



Appendix A:Pages Index

BURNER BOX SUBASSEMBLY ..... 1  
BURNER GRATE AREA ..... 2  
CONTROL AREA ..... 3  
G40014926 WIRE HARNESS ..... 4  
ISLAND TRIM ..... 5  
SINGLE WIRING 1 ..... 6  
SINGLE WIRING 2 ..... 7  
SIX INCH BACKGAURD ..... 8  
TEN INCH BACKGAURD ..... 9



Appendix B:Parts Index

A10011273	1	G40013348	6
A1001138	3	G40014927	7
A20011265	1	G4001567	7
A20011267	1	G4001648	6
A20011268	1	G4001656	6
A20011279	5	G4007440	1
A20011280	1	PA010163	3
A20011281	8	PA010163PVD	3
A20011283	8	PA010165	3
A20011287	1	PA010165PVD	3
A20012263	9	PA010211	3
A20012264	9	PA020045	3
A20013836	3	PA020048	1
A20013838	1	PA050101	3
A20014533	1	PA060100	2
A20014534	1	PA060101	2
A20014958	2	PA060102	2
B20011269	2	PA060103	2
B20011270	2	PA060104	2
B20011271	1	PA060105	2
B20011272	1	PA070003	3
B20011282	8	PA080083	2
B20011284	8, 9	PA080086	2
B20011285	8	PA080099	2
B20012261	9	PA080100	2
B20012262	9	PA080101	2
B21011264	2	PA080102	2
B30011275	5	PA080103	2
B92011266	3	PA080104	2
E91011264BK	2	PA080105	2
E91011264BT	2	PA080106	2
E91011264GG	2	PA080107	2
E91011264SG	2	PB020002	2
E91011264WH	2	PB020190	1
G4000936	6	PB020191	1
G40011259	6	PB040198	1
G40012154	7	PB040199	1
G40012155	7	PB040200	1
G4001311	7	PB040236	1
G4001312	7	PB040254	1
		PB040255	1



PB040257 ..... 1  
PB040270 ..... 1  
PB040271 ..... 1  
PB040272 ..... 1  
PB050067 ..... 1  
PB050069 ..... 2  
PB050070 ..... 2  
PB050071 ..... 2  
PB050072 ..... 2  
PC040010 ..... 8, 9  
PD010003 ..... 3, 8, 9  
PD010012 ..... 3  
PD020002 ..... 1, 3, 5, 8, 9  
PD020004 ..... 1  
PD020010 ..... 1  
PD020032 ..... 1, 2  
PD020046 ..... 5, 8, 9  
PD020056 ..... 8, 9  
PD020067 ..... 3  
PD020073 ..... 8, 9  
PD020159 ..... 2  
PD030005 ..... 3  
PD030009 ..... 1  
PE030140 ..... 3  
PE030141 ..... 3  
PE030152 ..... 8  
PE030176 ..... 9  
PE070070 ..... 1  
PE070071 ..... 1  
g40014926 ..... 4