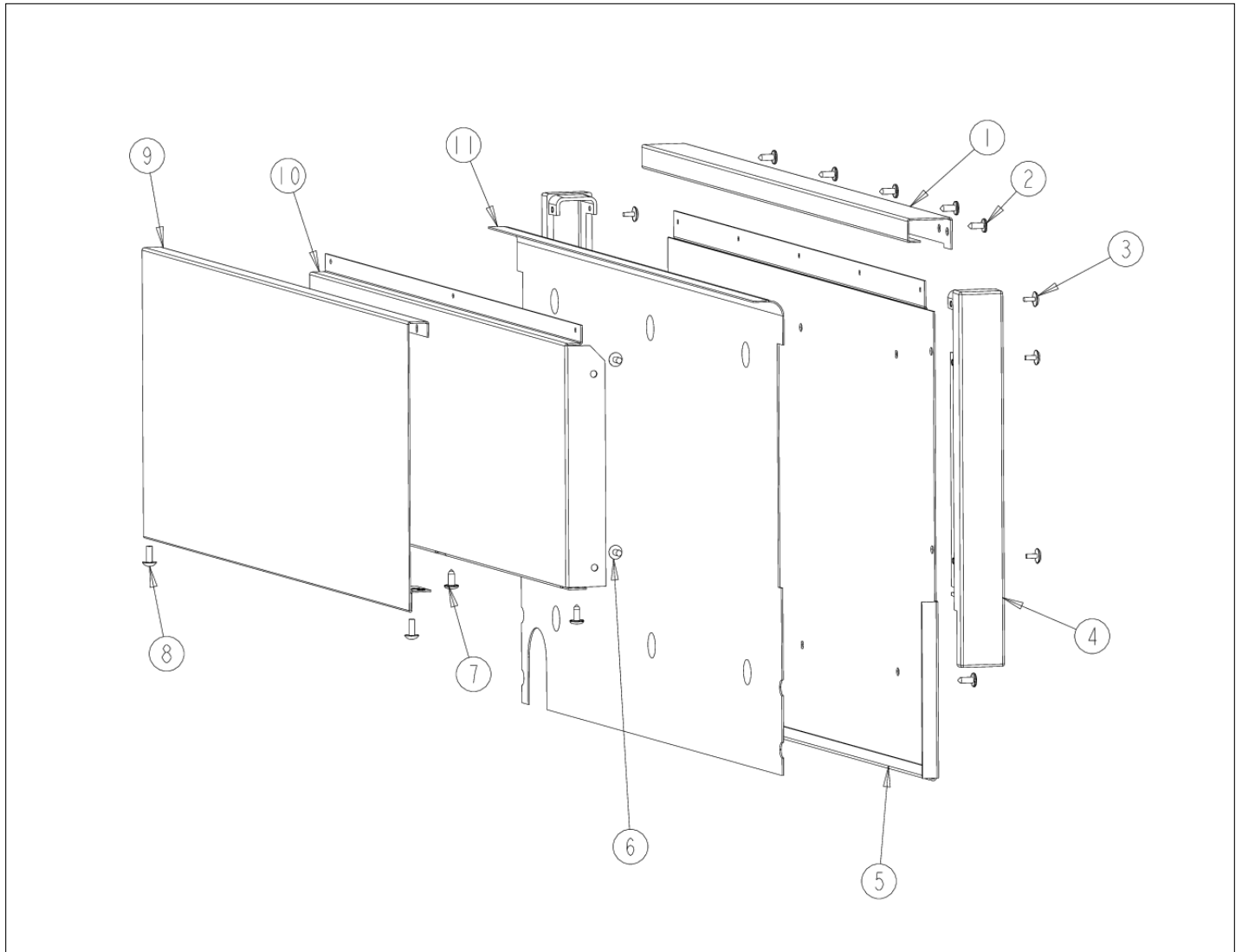


**DGRT300**

10 INCH BACKGAURD .....	1
6 INCH BACKGAURD .....	2
BURNER BOX SUBASSEMBLY .....	3
BURNER-GRATE AREA .....	4
CONTROL AREA .....	5
G40014930 WIRE HARNESS .....	6
ISLAND TRIM .....	7
SINGLE WIRE 1 .....	8
SINGLE WIRE 2 .....	9
Appendix A:Pages Index .....	A
Appendix B:Parts Index .....	B



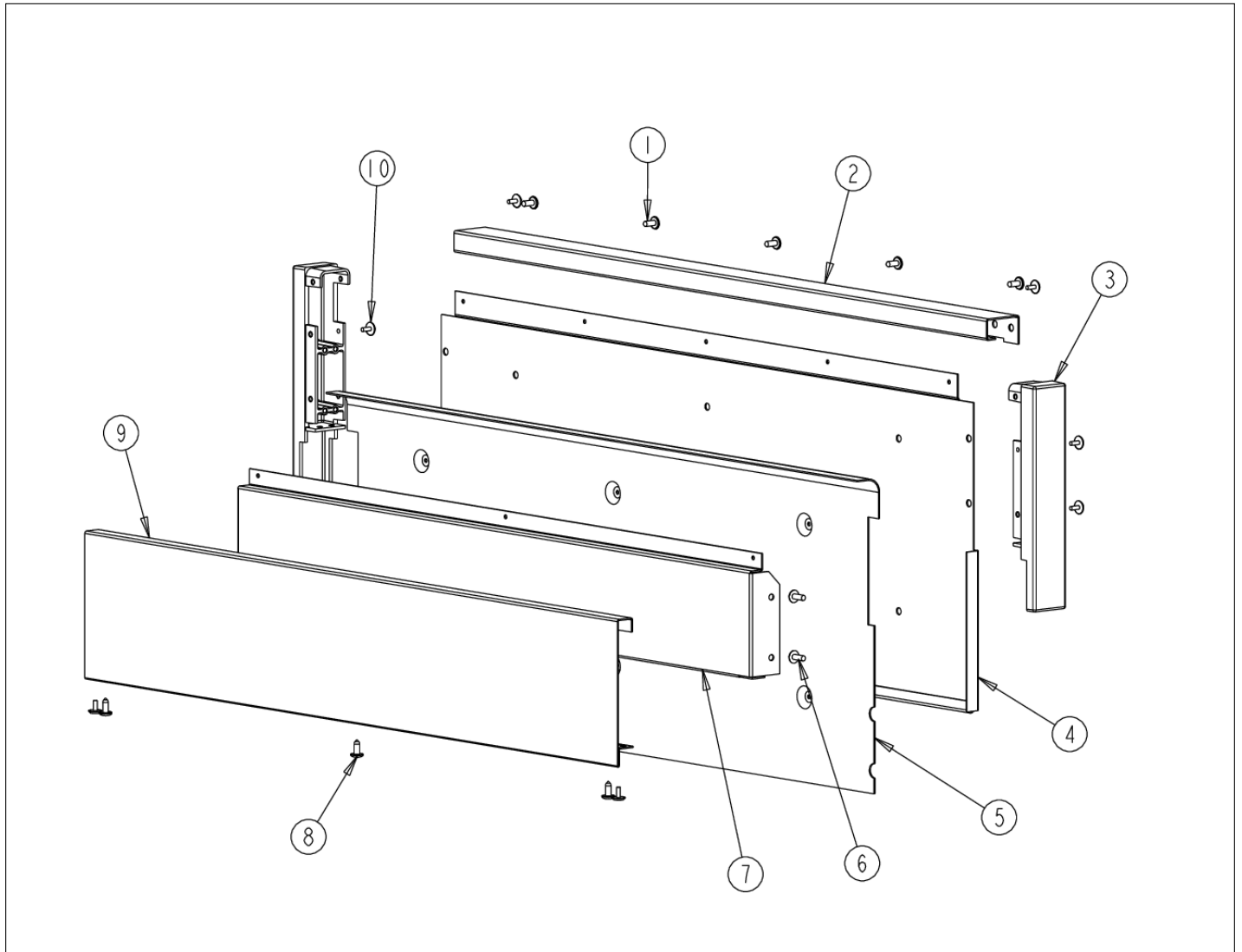
10 INCH BACKGAURD





Item	Part No.	Name	Qty	Uom	NOTES
1	PD010003	10-24 X 1/2 PH.TR.HD.SERD.M.S.	1	EA	
2	PD020046	#8 X 1/2 SCREWS	1	EA	
3	PE030176	BACKGUARD ENDCAP, 10" RH DGRT	1	EA	NO LONGER AVAILABLE, Not available online / Call for pricing and availability
4	PD020002	10 X 1/2 PH.TR.HD.SMS.	1	EA	
5	B20013848	BACKGUARD FRONT	1	EA	Not available online / Call for pricing and availability
6	B20012254	BACKGUARD, TOP	1	EA	Not available online / Call for pricing and availability
7	A20013847	BACKGUARD FRONT SUPPORT	1	EA	Not available online / Call for pricing and availability
8	B20013850	INSIDE SHIELD	1	EA	Not available online / Call for pricing and availability
9	PD020056	' #10-24 X 1/2" PH.TR. M.S. *SS*	1	EA	
10	A20013849	BACKGUARD BACK	1	EA	Not available online / Call for pricing and availability
11	PD020073	SRW #10 X 24 X 3/8 WAFER HD TYPE23	1	EA	

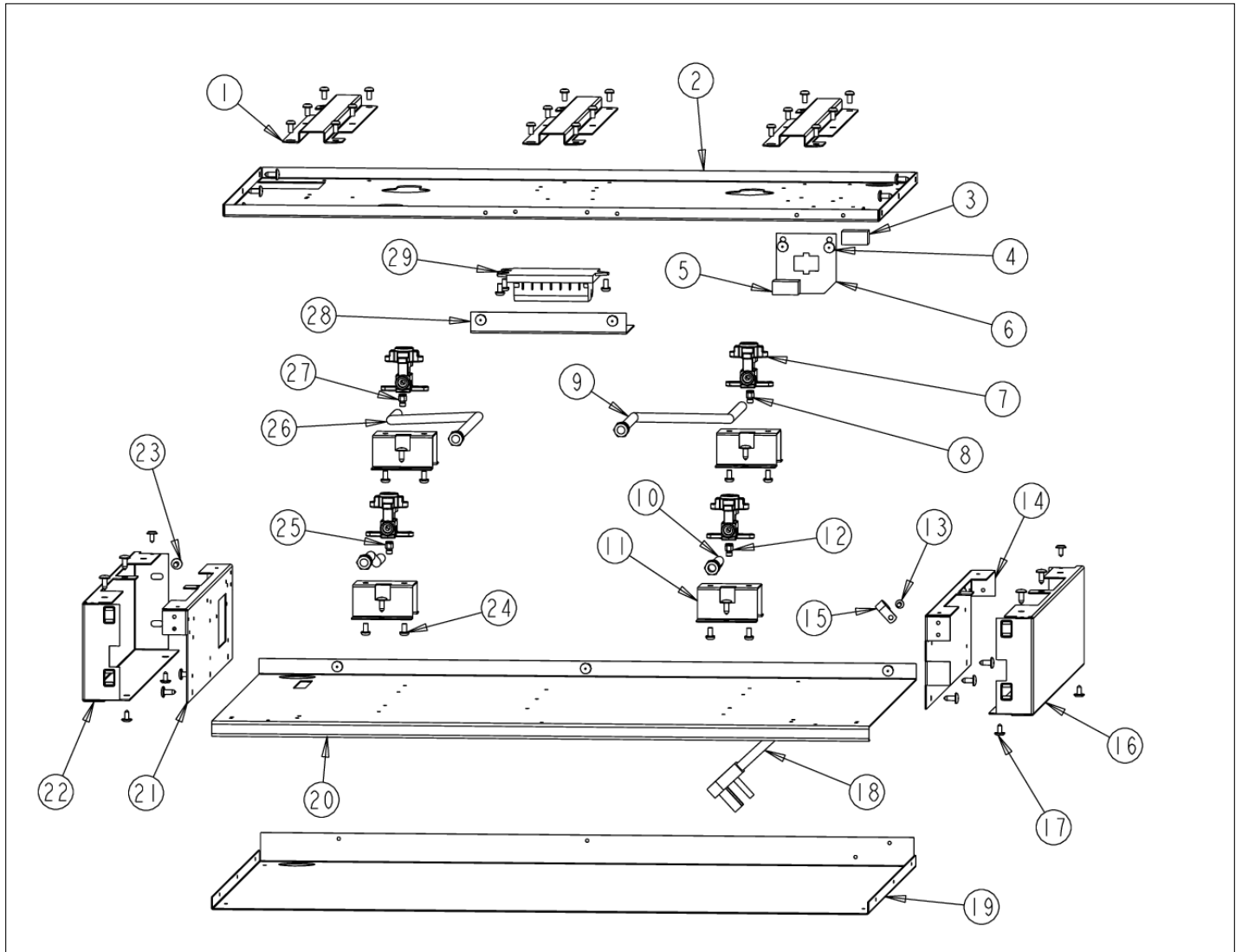
6 INCH BACKGAURD





Item	Part No.	Name	Qty	Uom	NOTES
1	PD010003	10-24 X 1/2 PH.TR.HD.SERD.M.S.	1	EA	
2	PD020046	#8 X 1/2 SCREWS	1	EA	
3	PD020002	10 X 1/2 PH.TR.HD.SMS.	1	EA	
4	PE030152	BACKGUARD ENDCAP, RH, DGRT	1	EA	NO LONGER AVAILABLE, Not available online / Call for pricing and availability
5	B20011407	BACKGUARD FRONT	1	EA	Not available online / Call for pricing and availability
6	B20012254	BACKGUARD, TOP	1	EA	Not available online / Call for pricing and availability
7	A20011406	BACKGUARD FRONT SUPPORT	1	EA	Not available online / Call for pricing and availability
8	B20011405	INSIDE SHIELD	1	EA	Not available online / Call for pricing and availability
9	PD020056	' #10-24 X 1/2" PH.TR. M.S. *SS*	1	EA	
10	A20011404	BACKGUARD BACK	1	EA	Not available online / Call for pricing and availability
11	PD020073	SRW #10 X 24 X 3/8 WAFER HD TYPE23	1	EA	

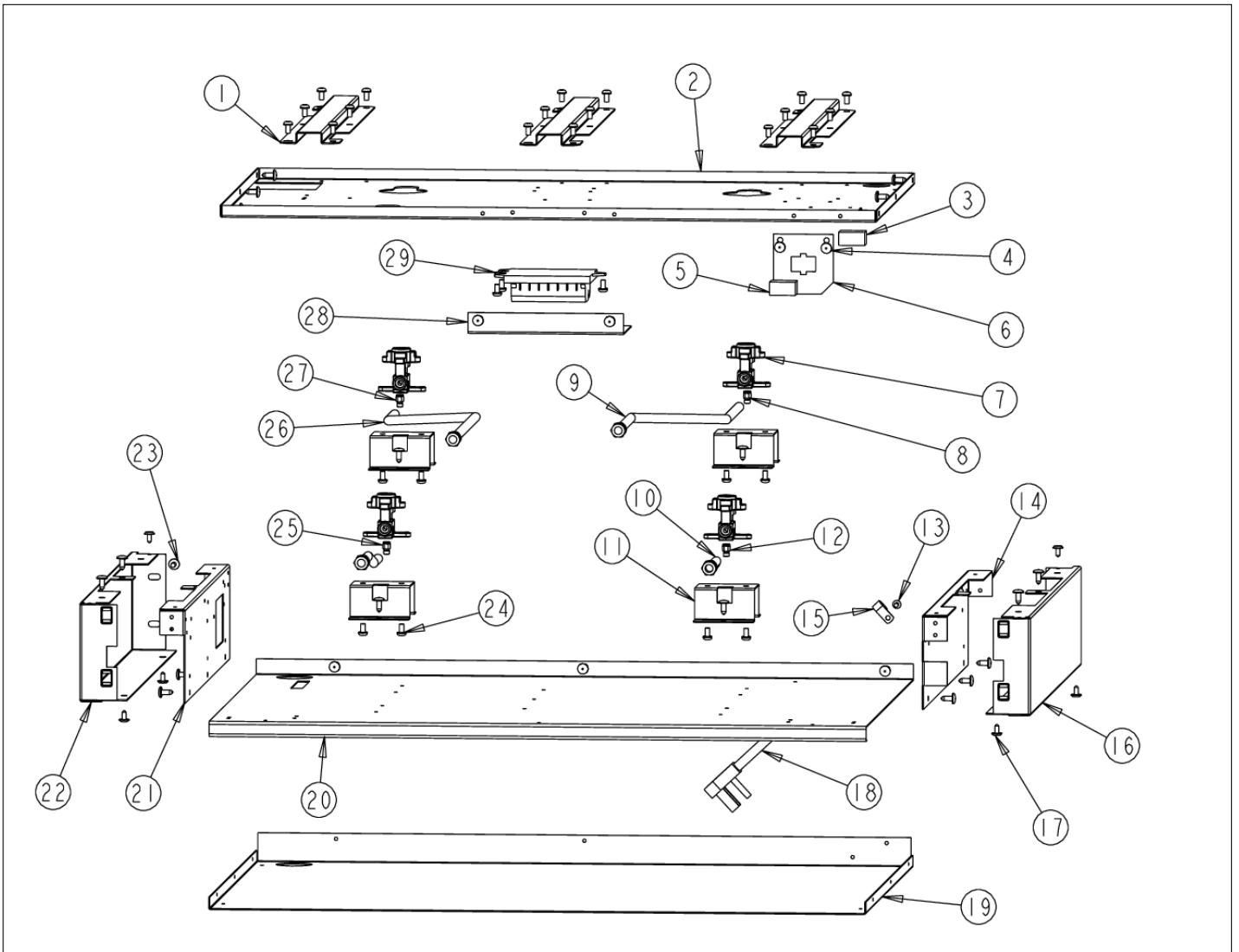
BURNER BOX SUBASSEMBLY





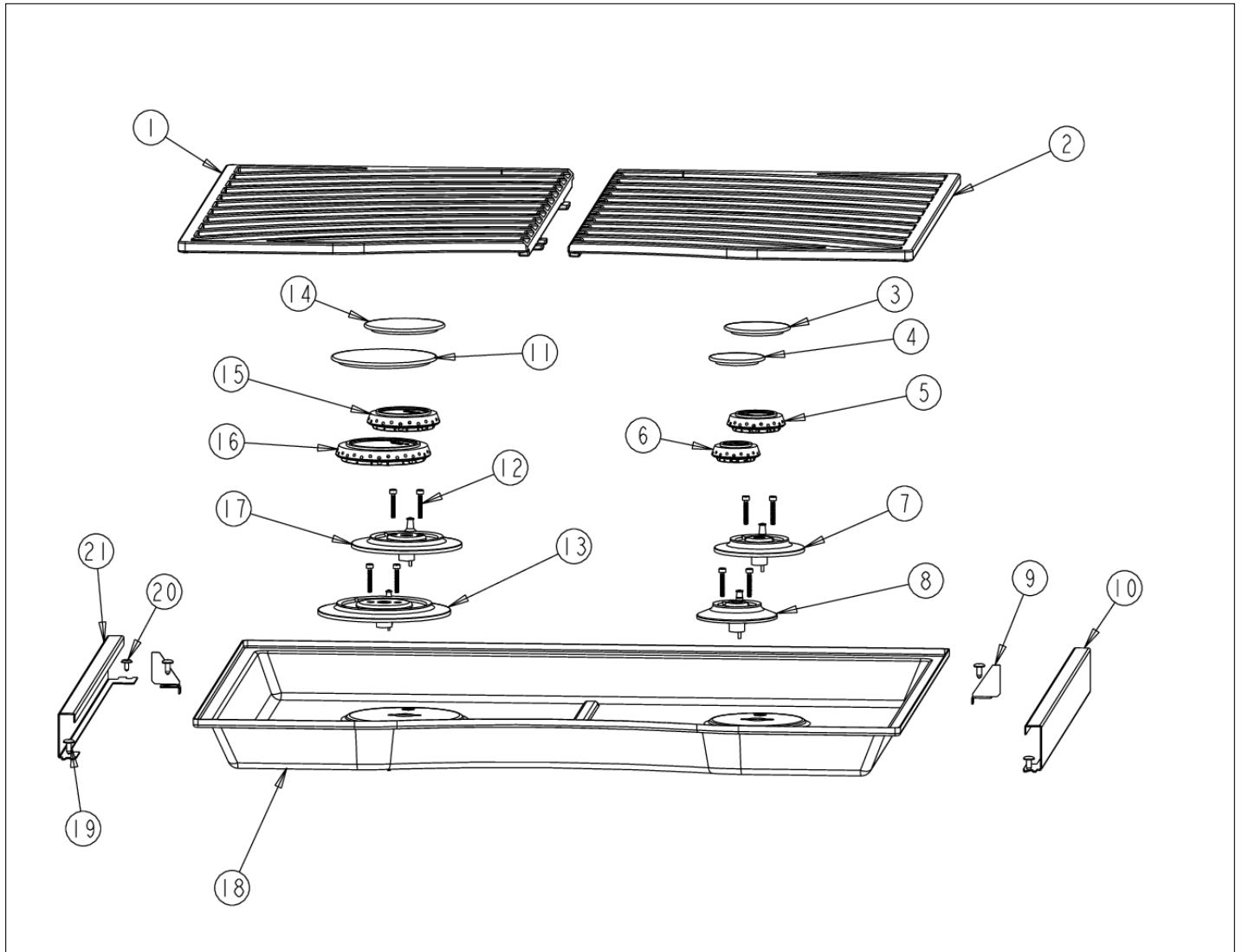


Item	Part No.	Name	Qty	Uom	NOTES
1	A20011280	BURNER PAN SPACER	1	EA	
2	A20011409	BURNER PAN SUPPORT DGRT30"	1	EA	NO LONGER AVAILABLE, Not available online / Call for pricing and availability
3	PE070071	Disconnect Block - Female	1	EA	
4	PD020002	10 X 1/2 PH.TR.HD.SMS.	1	EA	
5	PE070070	Disconnect Block - Male	1	EA	
6	A10011273	PLUG BRACKET	1	EA	
7	PDB050067	JET HOLDER	1	EA	Not available online / Call for pricing and availability
8	PB040236	#55 NAT	1	EA	
Not Shown	PB040257	LP Orifice #66	1	EA	
9	PB020191	15" FLEX TUBE	1	EA	
10	PB020190	10" FLEX TUBE	1	EA	
11	A20013838	JET HOLDER SPACER	1	EA	NO LONGER AVAILABLE, Not available online / Call for pricing and availability
12	PB040200	#57 ORIFICE - LP	1	EA	
Not Shown	PB040270	#71 ORIFICE FOR SEALED BURNER	1	EA	
13	PD020010	10 X 3/8 GREEN GROUNDING SCREW	1	EA	
14	A2001268	BURNER BOX SIDE - RH	1	EA	Not available online / Call for pricing and availability
15	PD030009	CLAMP, AL-8 (.500")	1	EA	
16	B20011272	SIDE PANEL, RH	1	EA	NO LONGER AVAILABLE, Not available online / Call for pricing and availability
17	PD020032	SRW-8(A)X3/8"PH.WFR HD 7/16DIA*NICL	1	EA	
18	G4007440	SUPPLY CORD ASSY	1	EA	



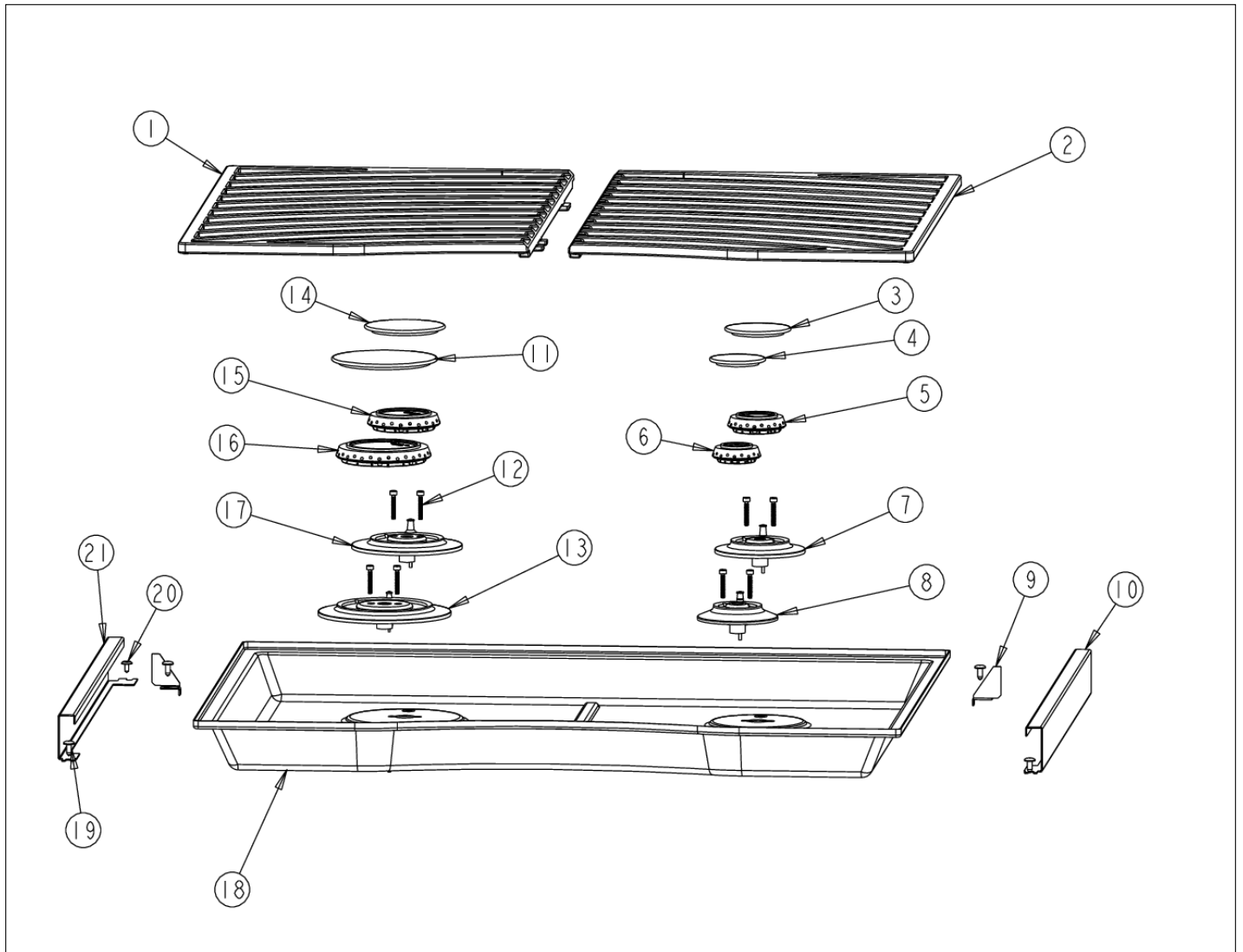
Item	Part No.	Name	Qty	Uom	NOTES
19	A20014518	BURNER BOX BOTTOM	1	EA	NO LONGER AVAILABLE, Not available online / Call for pricing and availability
20	A20014519	INSULATION PANEL	1	EA	NO LONGER AVAILABLE, Not available online / Call for pricing and availability
21	A20011267	BURNER BOX SIDE, LH	1	EA	
22	B20011271	SIDE PANEL, LH	1	EA	
23	PD020056	' #10-24 X 1/2" PH.TR. M.S. *SS*	1	EA	
24	PD020004	10X3/8PH.HD.TYPE 25 REPL PD040125	1	EA	
25	PB040254	#49 NAT	1	EA	
Not Shown	PB040199	ORIFICE NO.56	1	EA	
26	PB020191	15" FLEX TUBE	1	EA	
27	PB040255	NO.52 NAT	1	EA	
Not Shown	PB040256	LP Orifice #62	1	EA	
28	A20011287	SPARK MODULE BRACKET	1	EA	
29	PA020047	INVENSYS 0+4 RE-IGNITION SPARK MODULE	1	EA	
NI	PB070034	INSULATION-TRS-10 1" X 20" X 77' ROLL	1	EA	

BURNER-GRADE AREA





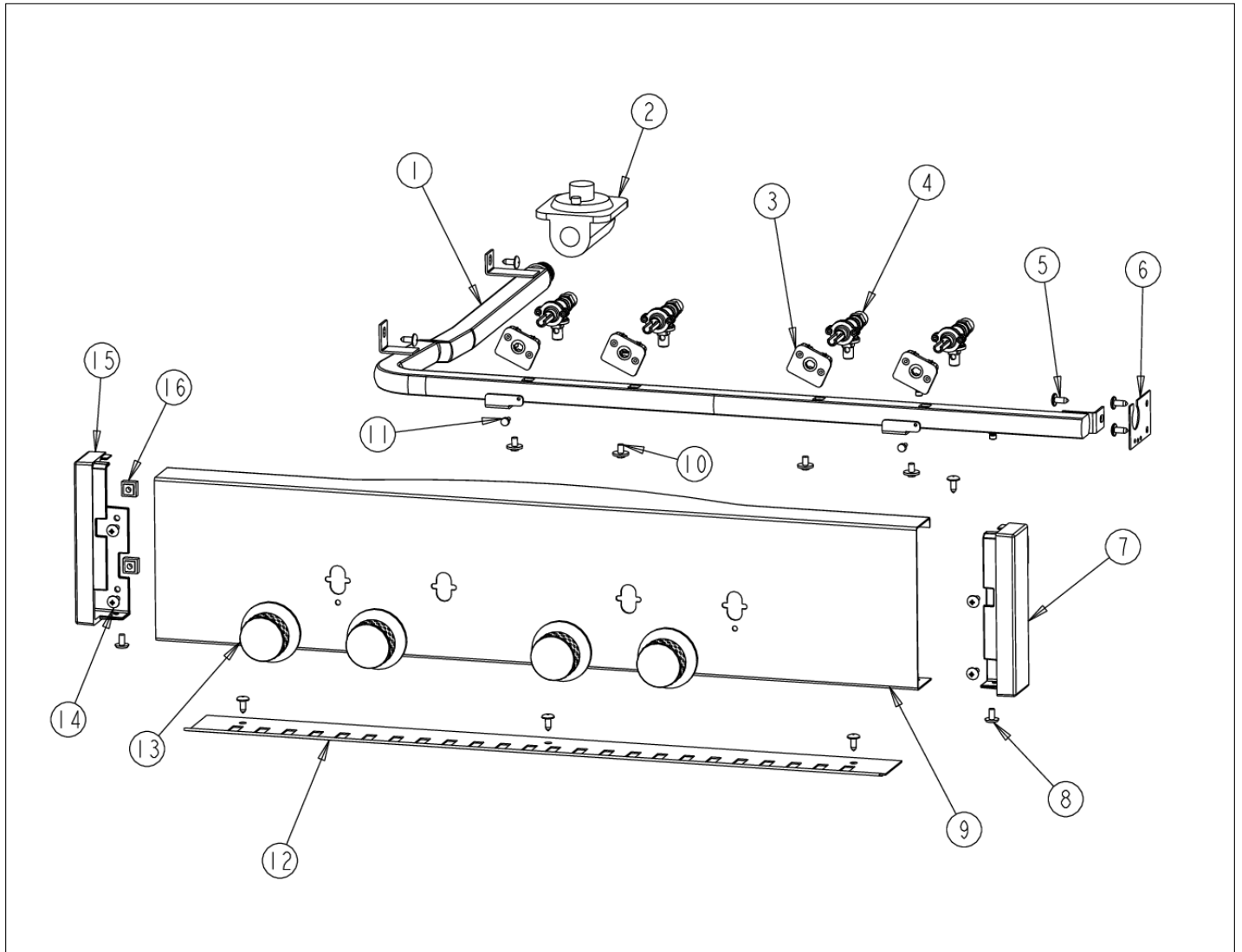
Item	Part No.	Name	Qty	Uom	NOTES
1	016476-000	LEFT GRATE, 30" DESIGNER RANGE	1	EA	
Not Shown	PA060112	LH - GRATE - GR	1	EA	Not available online / Call for pricing and availability
2	016477-000	RIGHT GRATE, 30" DESIGNER RANGE	1	EA	
Not Shown	PA060111	RH GRATE - GR	1	EA	Not available online / Call for pricing and availability
3	PA080105	DGRT-B BURNER CAP- BLACK	1	EA	
Not Shown	PA080106	DGRT-"B" BURNER CAP- GRAY	1	EA	
4	PA080103	DGRT-A BURNER CAP- BLACK	1	EA	
Not Shown	PA080104	DGRT-"A" BURNER CAP- GRAY	1	EA	
5	PA080100	DGRT-B COMPLETE BURNER HEAD ASSEMBLY	1	EA	
6	PA080099	DGRT-ACOMPLETE BURNER HEAD ASSEMBLY	1	EA	
7	PB050071	B-BASE	1	EA	
8	PB050072	A-BASE	1	EA	
9	A20014958	DESIGNER SIDE TRIM SUPPORT	1	EA	
10	B20011270	SIDE TRIM, RH	1	EA	
11	PA080083	D BURNER CAP *MATTE BLACK*	1	EA	
Not Shown	PA080086	Burner Cap - GR	1	EA	
12	PD020159	DGSU BURNER BASE SCREW	1	EA	
13	PB050069	D-BASE	1	EA	
14	PA080107	DGRT-C BURNER CAP- BLACK	1	EA	
Not Shown	PA080108	DGRT-"C" BURNER CAP- GRAY	1	EA	
15	PA080101	DGRT-C COMPLETE BURNER HEAD ASSEMBLY	1	EA	
16	PA080102	DGRT-D COMPLETE BURNER HEAD ASSEMBLY	1	EA	
17	PB050070	C-BASE	1	EA	
18	B21011410	BURNER PAN - SS, DGRT300	1	EA	





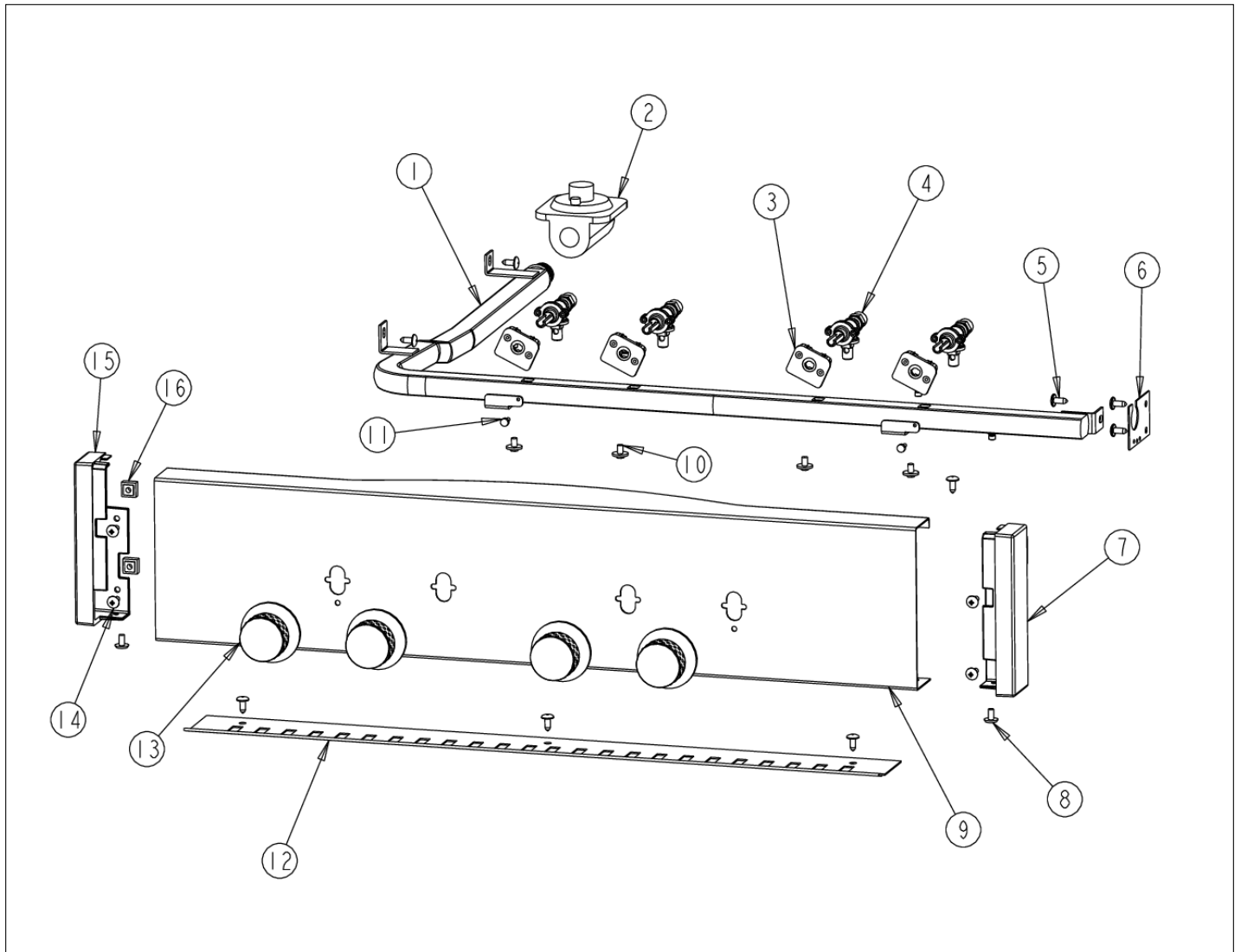
Item	Part No.	Name	Qty	Uom	NOTES
Not Shown	E91011410BK	BURNER PAN, DGRT300 *BK*	1	EA	
Not Shown	E91011410BT	BURNER PAN -BT	1	EA	Not available online / Call for pricing and availability
Not Shown	E91011410GG	BURNER PAN -GG	1	EA	Not available online / Call for pricing and availability
Not Shown	E91011410SG	BURNER PAN -SG	1	EA	Not available online / Call for pricing and availability
Not Shown	E91011410WH	BURNER PAN, DGRT300 *WH*	1	EA	
19	PD020002	10 X 1/2 PH.TR.HD.SMS.	1	EA	
20	PD020032	SRW-8(A)X3/8"PH.WFR HD 7/16DIA*NICL	1	EA	
21	B20011269	SIDE TRIM, LH	1	EA	

CONTROL AREA





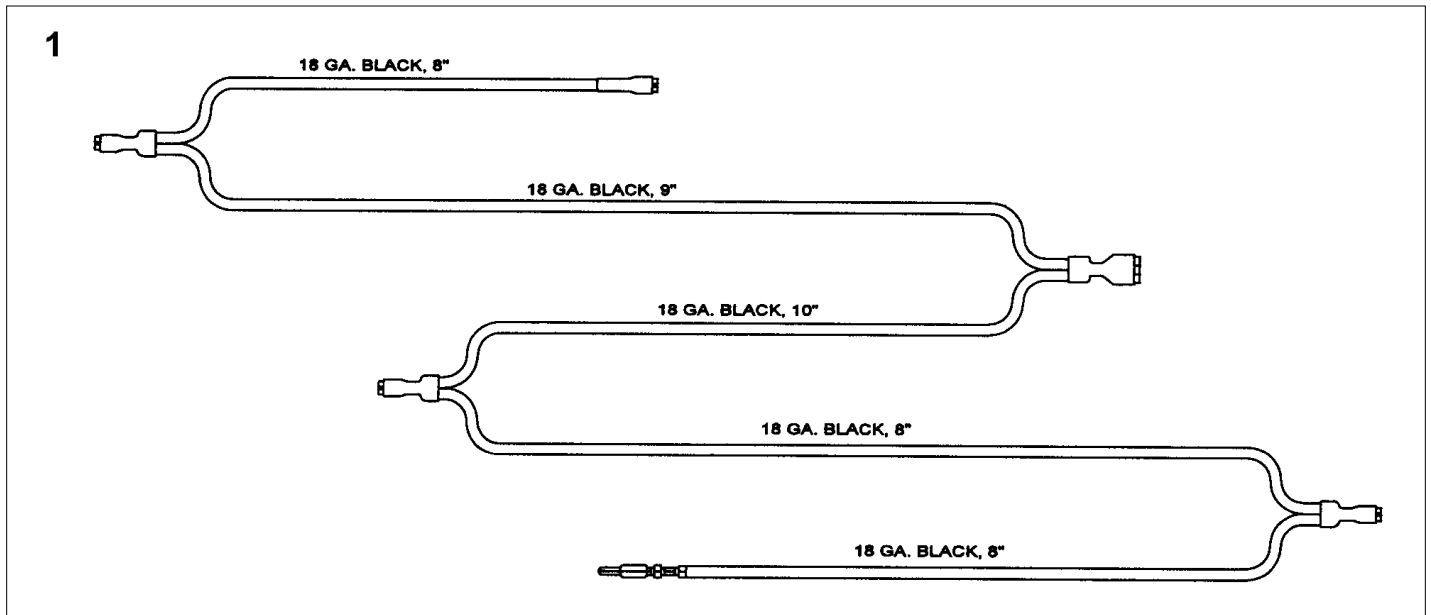
Item	Part No.	Name	Qty	Uom	NOTES
1	PA050106	DGRT300 MANIFOLD	1	EA	NO LONGER AVAILABLE, Not available online / Call for pricing and availability
2	PA070003	PRESSURE REGULATOR (NAT.)	1	EA	
3	PA020045	Spark Ignition Switch	1	EA	
4	PA010211	DGRT TOP BURNER VALVE	1	EA	
5	PD020002	10 X 1/2 PH.TR.HD.SMS.	1	EA	
6	A1001138	MANIFOLD BRKT	1	EA	NO LONGER AVAILABLE, Not available online / Call for pricing and availability
7	PE030141	CONTROL PANEL END CAP, RH DGRT	1	EA	Not available online / Call for pricing and availability
8	PD020033	SRW-#10-24X1/2"T(23)PH.WFR HD (NKL)	1	EA	
9	B92011411	CONTROL PANEL, DGRT300	1	EA	Not available online / Call for pricing and availability
10	PD010012	VALVE BOLT 1/4-20 UNC-2B 5/16" M.S.	1	EA	
11	PD020067	' #6 X 3/8" PAN PHIL. TEK *SS*	1	EA	
12	A20013835	FINGER SHIELD 30"	1	EA	NO LONGER AVAILABLE, Not available online / Call for pricing and availability
13	PA010163	DGRT KNOB-CHROME W/BLACK SLEEVE	1	EA	
Not Shown	PA010163PVD	DGRT KNOB-BRASS W/BLACK SLEEVE	1	EA	NO LONGER AVAILABLE, Not available online / Call for pricing and availability
Not Shown	PA010165	DGRT KNOB - CHROME W/GRAY SLEEVE	1	EA	NO LONGER AVAILABLE, Not available online / Call for pricing and availability
Not Shown	PA010165PVD	DGRT KNOB - BRASS W/GRAY SLEEVE	1	EA	
14	PD010003	10-24 X 1/2 PH.TR.HD.SERD.M.S.	1	EA	





Item	Part No.	Name	Qty	Uom	NOTES
15	PE030140	CONTROL PANEL END CAP, LH DGRT	1	EA	Not available online / Call for pricing and availability
16	PD030005	SELF RETAINING NUT	1	EA	

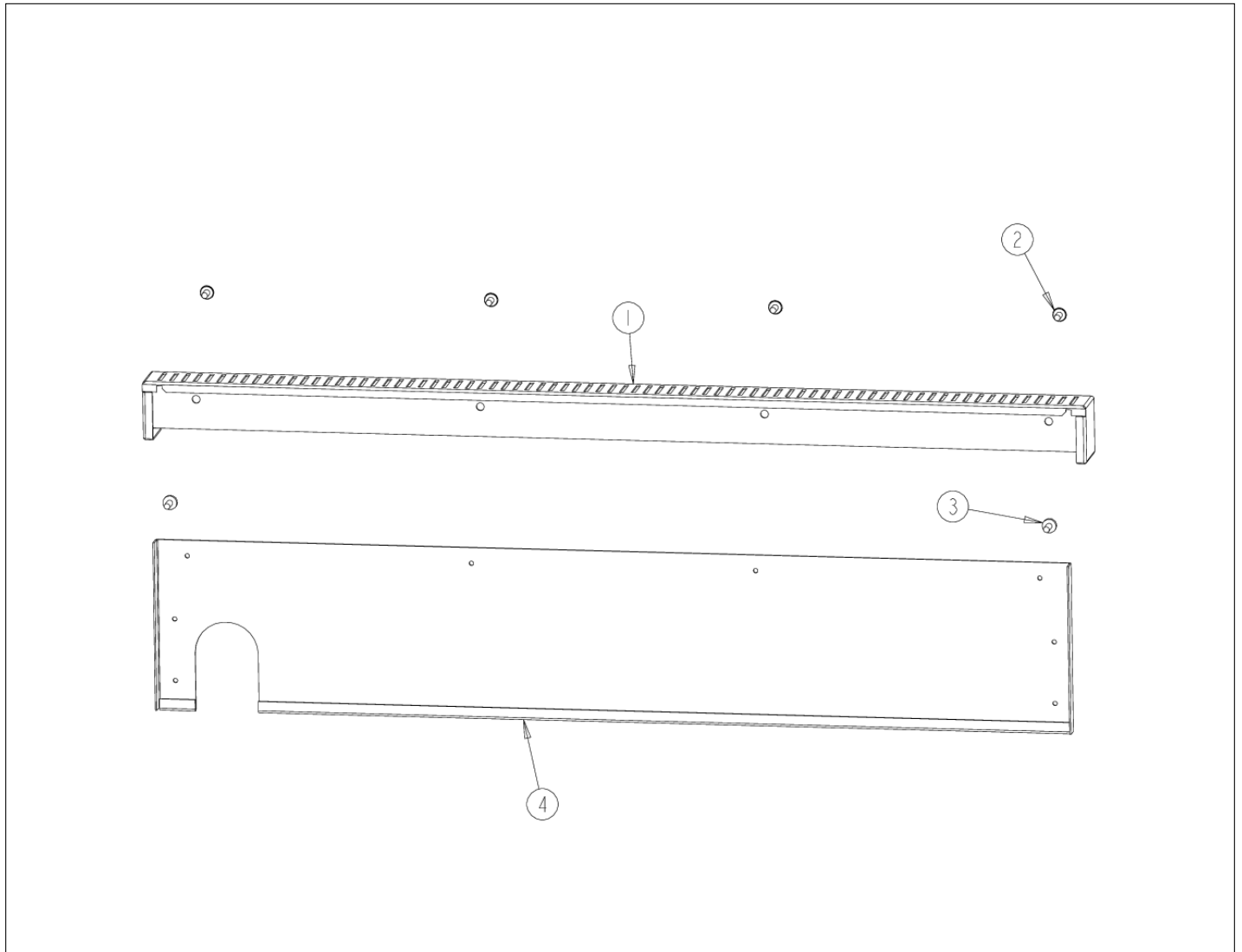
G40014930 WIRE HARNESS





Item	Part No.	Name	Qty	Uom	NOTES
1	G40014930	WIRE HARNESS	1	EA	Not available online / Call for pricing and availability

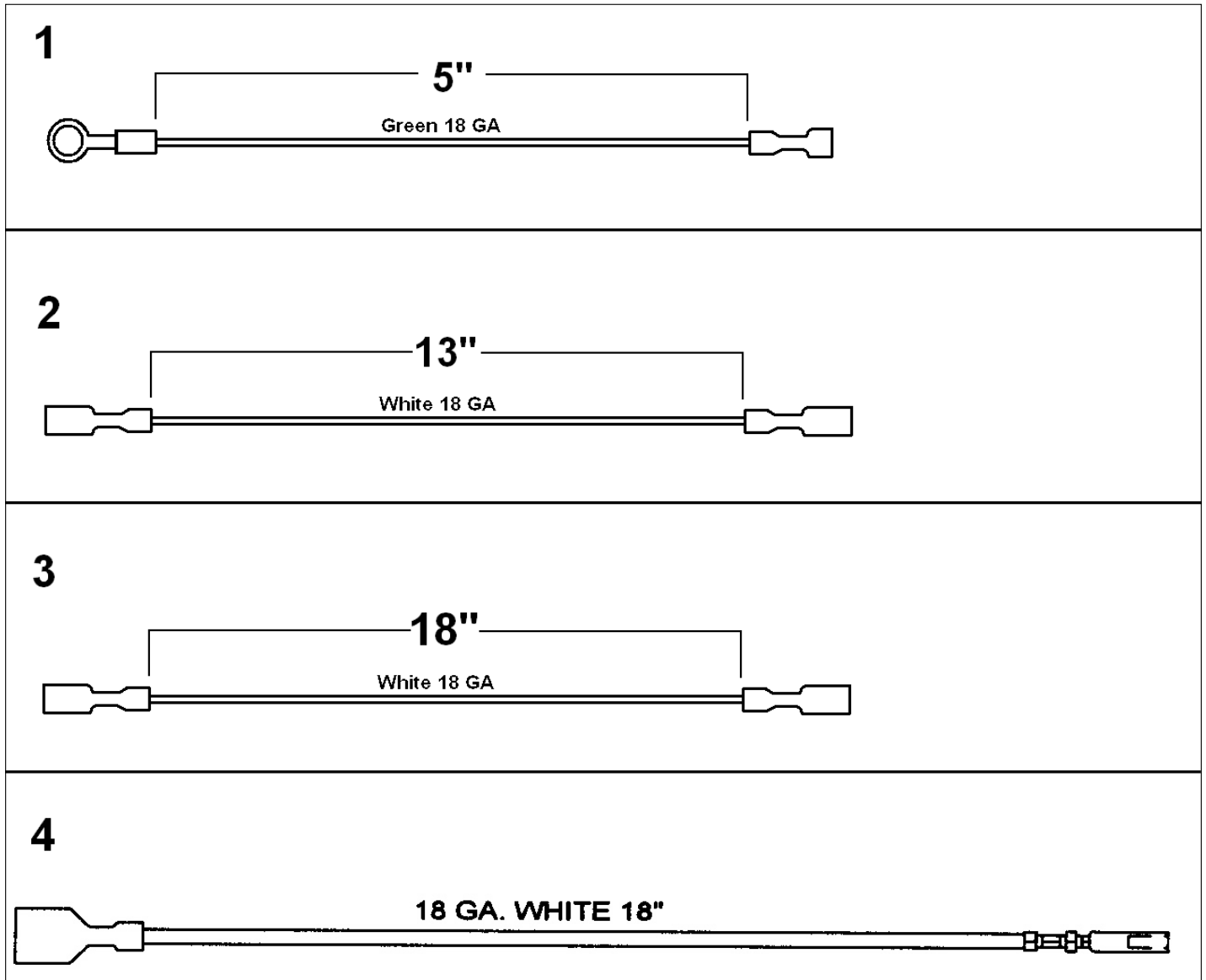
ISLAND TRIM





Item	Part No.	Name	Qty	Uom	NOTES
1	PD020046	#8 X 1/2 SCREWS	1	EA	
2	A20012256	ISLAND TRIM BACK	1	EA	Not available online / Call for pricing and availability
3	B30012255	ISLAND TRIM TOP	1	EA	Not available online / Call for pricing and availability
4	PD020056	' #10-24 X 1/2" PH.TR. M.S. *SS*	1	EA	

SINGLE WIRE 1

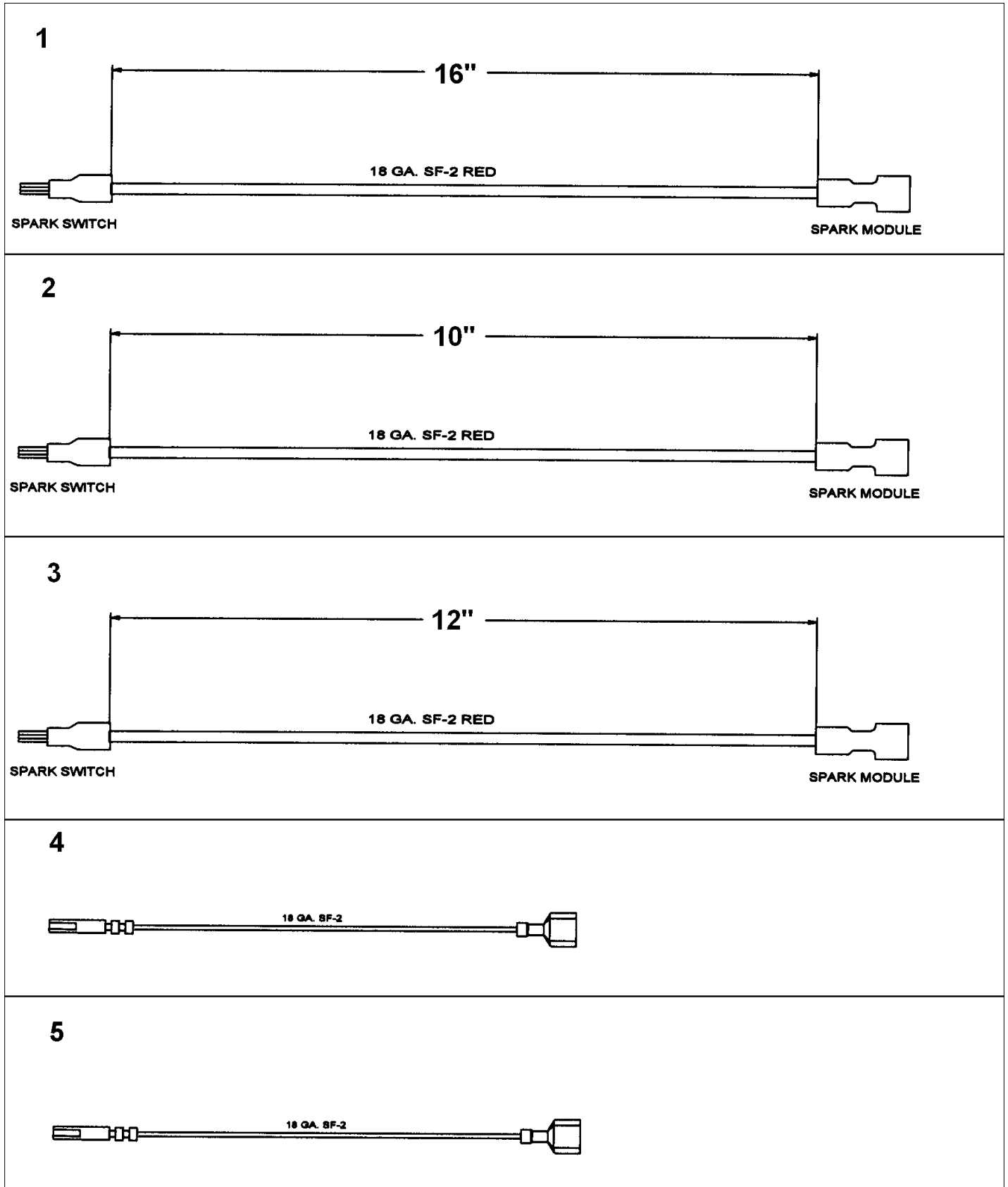






Item	Part No.	Name	Qty	Uom	NOTES
1	G4000936	GROUND WIRE	1	EA	
2	G40011259	IGNITER WIRE - 13"	1	EA	
3	G40013348	IGNITER WIRE - 18"	1	EA	Not available online / Call for pricing and availability
4	G40014927	WIRE ASSEMBLY (NEUTRAL)	1	EA	Not available online / Call for pricing and availability

SINGLE WIRE 2





Item	Part No.	Name	Qty	Uom	NOTES
1	G4001311	WIRE ASSY *AL* VGRT (14")	1	EA	NO LONGER AVAILABLE
2	G4001312	WIRE ASSY *AL* VGRT (10")	1	EA	NO LONGER AVAILABLE, Not available online / Call for pricing and availability
3	G40014929	WIRE ASSEMBLY, VALVE SWITCH (12 ")	1	EA	Not available online / Call for pricing and availability
4	G40012155	16" BLACK WIRE ASSY	1	EA	NO LONGER AVAILABLE
5	G40012154	16" WHITE WIRE ASSY	1	EA	NO LONGER AVAILABLE



Appendix A:Pages Index

10 INCH BACKGAURD ..... 1  
6 INCH BACKGAURD ..... 2  
BURNER BOX SUBASSEMBLY ..... 3  
BURNER-GRATE AREA ..... 4  
CONTROL AREA ..... 5  
G40014930 WIRE HARNESS ..... 6  
ISLAND TRIM ..... 7  
SINGLE WIRE 1 ..... 8  
SINGLE WIRE 2 ..... 9



Appendix B:Parts Index

016476-000	4	G4001311	9
016477-000	4	G4001312	9
A10011273	3	G40013348	8
A1001138	5	G40014927	8
A20011267	3	G40014929	9
A20011280	3	G40014930	6
A20011287	3	G4007440	3
A20011404	2	PA010163	5
A20011406	2	PA010163PVD	5
A20011409	3	PA010165	5
A20012256	7	PA010165PVD	5
A2001268	3	PA010211	5
A20013835	5	PA020045	5
A20013838	3	PA020047	3
A20013847	1	PA050106	5
A20013849	1	PA060111	4
A20014518	3	PA060112	4
A20014519	3	PA070003	5
A20014958	4	PA080083	4
B20011269	4	PA080086	4
B20011270	4	PA080099	4
B20011271	3	PA080100	4
B20011272	3	PA080101	4
B20011405	2	PA080102	4
B20011407	2	PA080103	4
B20012254	1, 2	PA080104	4
B20013848	1	PA080105	4
B20013850	1	PA080106	4
B21011410	4	PA080107	4
B30012255	7	PA080108	4
B92011411	5	PB020190	3
E91011410BK	4	PB020191	3, 3
E91011410BT	4	PB040199	3
E91011410GG	4	PB040200	3
E91011410SG	4	PB040236	3
E91011410WH	4	PB040254	3
G4000936	8	PB040255	3
G40011259	8	PB040256	3
G40012154	9	PB040257	3
G40012155	9	PB040270	3
		PB050069	4



PB050070 ..... 4  
PB050071 ..... 4  
PB050072 ..... 4  
PB070034 ..... 3  
PD010003 ..... 1, 2, 5  
PD010012 ..... 5  
PD020002 ..... 1, 2, 3, 4, 5  
PD020004 ..... 3  
PD020010 ..... 3  
PD020032 ..... 3, 4  
PD020033 ..... 5  
PD020046 ..... 1, 2, 7  
PD020056 ..... 1, 2, 3, 7  
PD020067 ..... 5  
PD020073 ..... 1, 2  
PD020159 ..... 4  
PD030005 ..... 5  
PD030009 ..... 3  
PDB050067 ..... 3  
PE030140 ..... 5  
PE030141 ..... 5  
PE030152 ..... 2  
PE030176 ..... 1  
PE070070 ..... 3  
PE070071 ..... 3