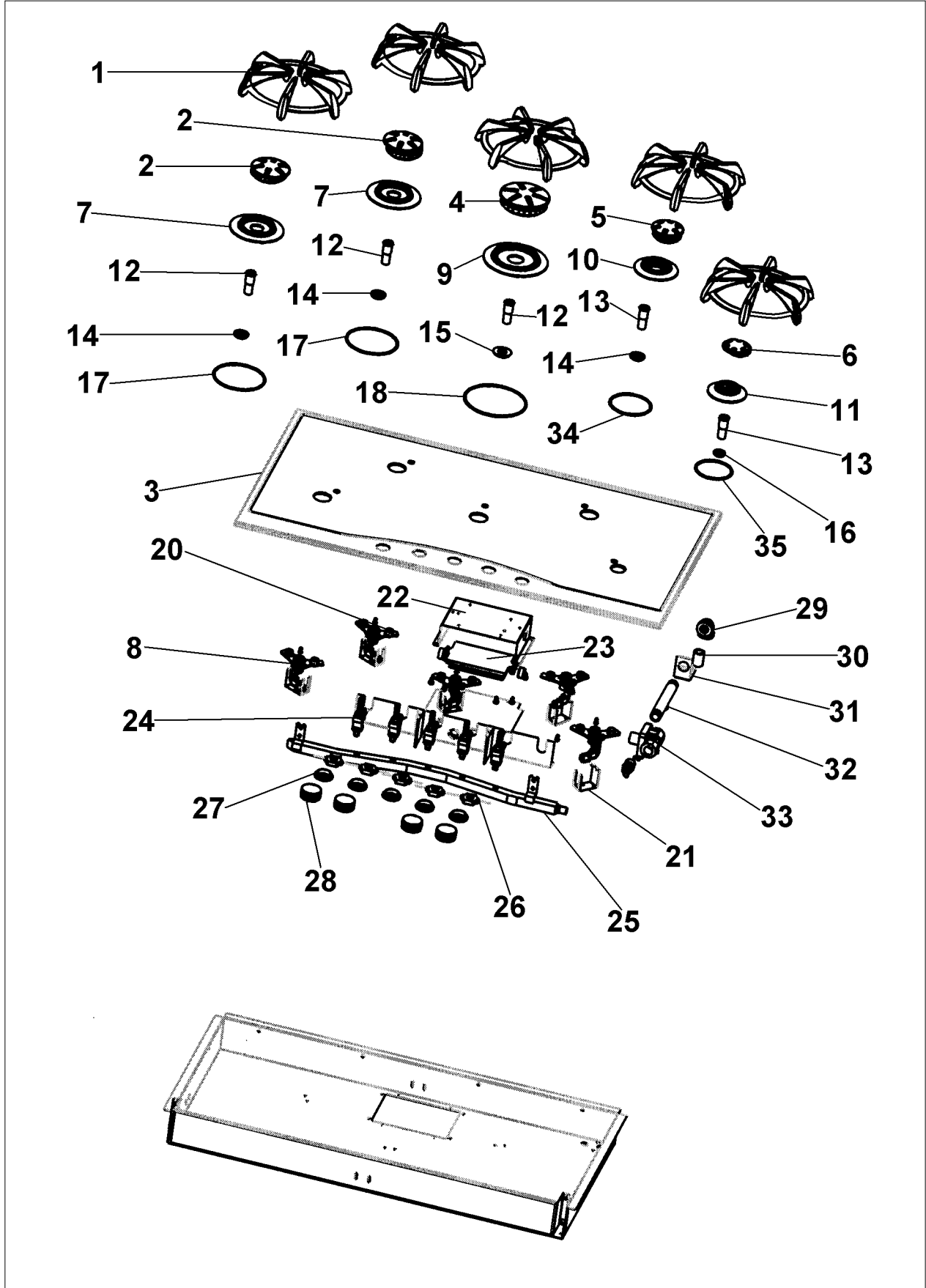


DGCU165 (BEFORE 02/09/06)

UNIT COMPONENTS	1
Appendix A:Pages Index	A
Appendix B:Parts Index	B

UNIT COMPONENTS

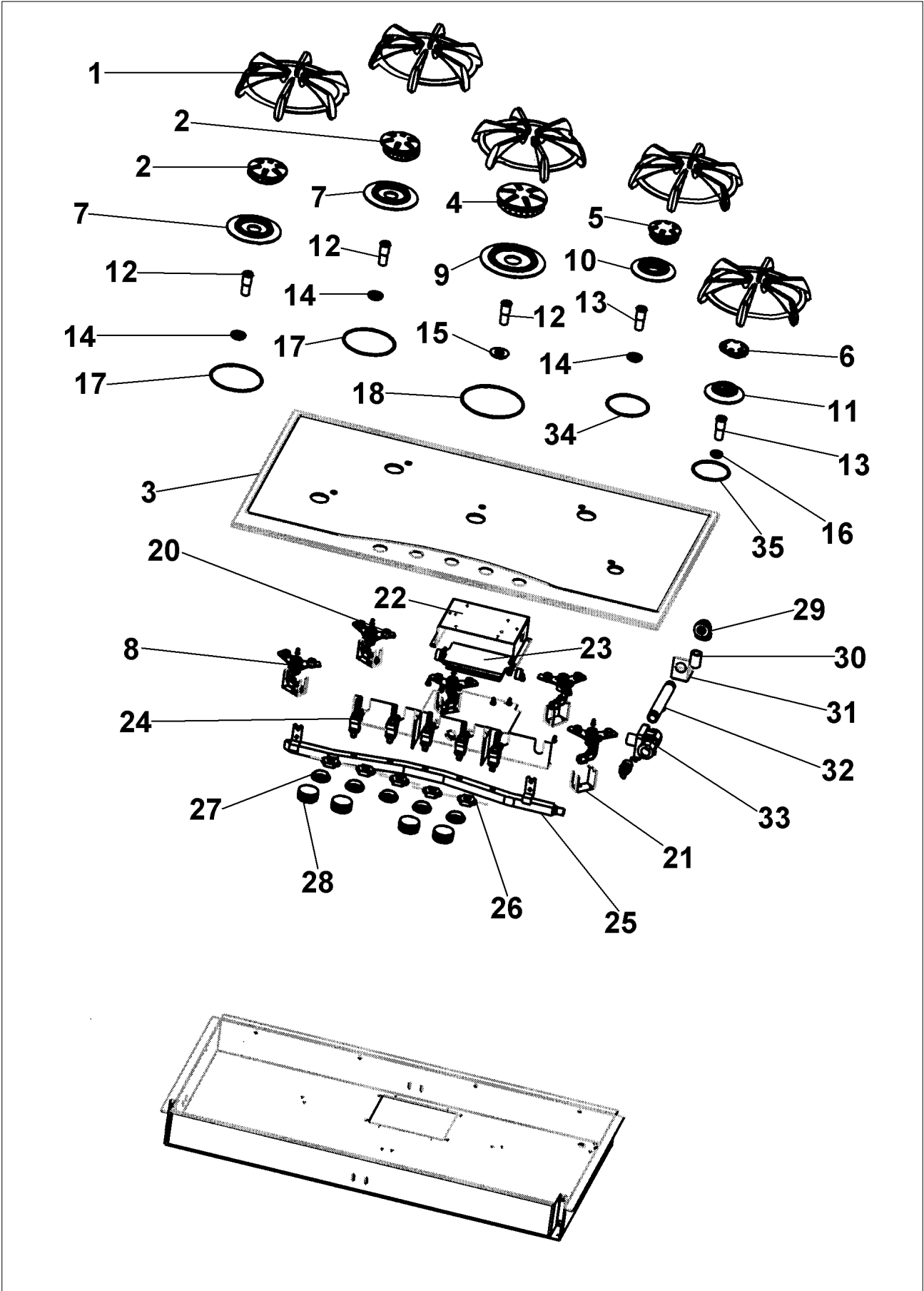




Item	Part No.	Name	Qty	Uom	NOTES
1	PA060055	GRATES BK	1	EA	
Not Shown	PA060056	DGCU GRATE MATTE GRAY	1	EA	
2	G5009161	BURNER HEAD ASSY	1	EA	
Not Shown	G5009162	BURNER HEAD ASSY GY (C)	1	EA	
3	017725-000	DESIGNER TOP ASSY DGCU165-5BSB	1	EA	
Not Shown	G5005748	DESIGNER TOP ASSY DGCU165-5BSW	1	EA	Not available online / Call for pricing and availability
4	G5009159	BURNER HEAD ASSY BK (D)	1	EA	
Not Shown	G5009160	BURNER HEAD ASSY WH (D)	1	EA	NO LONGER AVAILABLE
5	G5009163	BURNER HEAD ASSY	1	EA	
Not Shown	G5009164	BURNER HEAD ASSY GY (B)	1	EA	NO LONGER AVAILABLE
6	G5009157	BURNER HEAD ASSY BK (A)	1	EA	
Not Shown	G5009158	BURNER HEAD ASSY WH (A)	1	EA	NO LONGER AVAILABLE
7	PA080058	C BURNER BASE DGCU	1	EA	NO LONGER AVAILABLE
8	PB050061	JET HOLDER (DGCU)	1	EA	
9	PA080057	BURNER BASE ASM	1	EA	
10	PA080059	B BURNER BASE DGCU	1	EA	
11	PA080060	A BURNER BASE DGCU	1	EA	
12	PD030068	VENTURI, C&D (DGCU)	1	EA	
13	PD030067	BURNER VENTURI A & B (DGCU)	1	EA	
14	PD040058	B/C - BURNER ALIGNMENT BUSHING-DGCU	1	EA	
15	PD040059	D-BURNER ALIGNMENT BUSHING (DGCU)	1	EA	
16	PD040057	A-BURNER ALIGNMENT BUSHING (DGCU)	1	EA	
17	PB070062	Burner O-Ring (Front & Rear Center / Rear Left)	1	EA	
18	PB070063	Burner O-Ring (Front - Left Burner)	1	EA	



Item	Part No.	Name	Qty	Uom	NOTES
Comments for Part Num. PB070063					
parts@dtappliance.com on Sep 7, 2016					
This part is now NLA					
19	PB070061	Burner O-Ring (Right Rear Burner)	1	EA	
20	PD040061	HIGH HEAT SILICON PAD	1	EA	
21	A2005729	JET HOLDER BRACKET (DGCUC)	1	EA	
22	A2005717	SPARK MODULE BOX (DGCUC)	1	EA	
23	PA020042	Spark Module	1	EA	
24	003577-000	DGCUC GAS VALVE (DESIGNER SERIES)	1	EA	
25	PA050074	36" CS MANIFOLD WITH Z-BRACKET	1	EA	NO LONGER AVAILABLE, Not available online / Call for pricing and availability
26	PA020015	Spark Ignition Switch	1	EA	
27	PB070079	SILICONE EXTRUSION (DGSU)	1	EA	
28	PB010200	GAS DESIGNER COOKTOP KNOB	1	EA	
Not Shown	PB010200PVD	GAS DESIGNER COOKTOP KNOB - BRASS	1	EA	
Not Shown	PB010214	GAS DESIGNER COOKTOP KNOB - WH	1	EA	
Not Shown	PB010214PVD	GAS DESIGNER COOKTOP KNOB - BRASS	1	EA	
29	PB040053	1/2" 90 DEG. ELBOW	1	EA	
30	PB040046	1/2" CLOSE NIPPLE	1	EA	
31	A2005719	SUPPLY BRACKET DGCUC	1	EA	
32	PB040175	1/2" PIPE NIPPLE (6.375 LONG)	1	EA	NO LONGER AVAILABLE
33	PA070004	Pressure Regulator (Nat.)	1	EA	
Not Shown	PA070005	PRESSURE REG.(LP) RV47L-77-10.0	1	EA	
34	PB070061	Burner O-Ring (Right Rear Burner)	1	EA	
35	PB070060	Burner O-Ring (Front Right Burner)	1	EA	





Item	Part No.	Name	Qty	Uom	NOTES
NI	014915-000	TUBE, ASM, A	1	EA	
NI	PB020126	3/8" S.S. FLEX TUBING 15" (DGCU)	1	EA	
NI	G4007440	SUPPLY CORD ASSY	1	EA	



Appendix A:Pages Index

UNIT COMPONENTS 1



Appendix B:Parts Index

003577-000	1	PB070079	1
014915-000	1	PD030067	1
017725-000	1	PD030068	1
A2005717	1	PD040057	1
A2005719	1	PD040058	1
A2005729	1	PD040059	1
G4007440	1	PD040061	1
G5005748	1		
G5009157	1		
G5009158	1		
G5009159	1		
G5009160	1		
G5009161	1		
G5009162	1		
G5009163	1		
G5009164	1		
PA020015	1		
PA020042	1		
PA050074	1		
PA060055	1		
PA060056	1		
PA070004	1		
PA070005	1		
PA080057	1		
PA080058	1		
PA080059	1		
PA080060	1		
PB010200	1		
PB010200PVD	1		
PB010214	1		
PB010214PVD	1		
PB020126	1		
PB040046	1		
PB040053	1		
PB040175	1		
PB050061	1		
PB070060	1		
PB070061	1, 1		
PB070062	1		
PB070063	1		