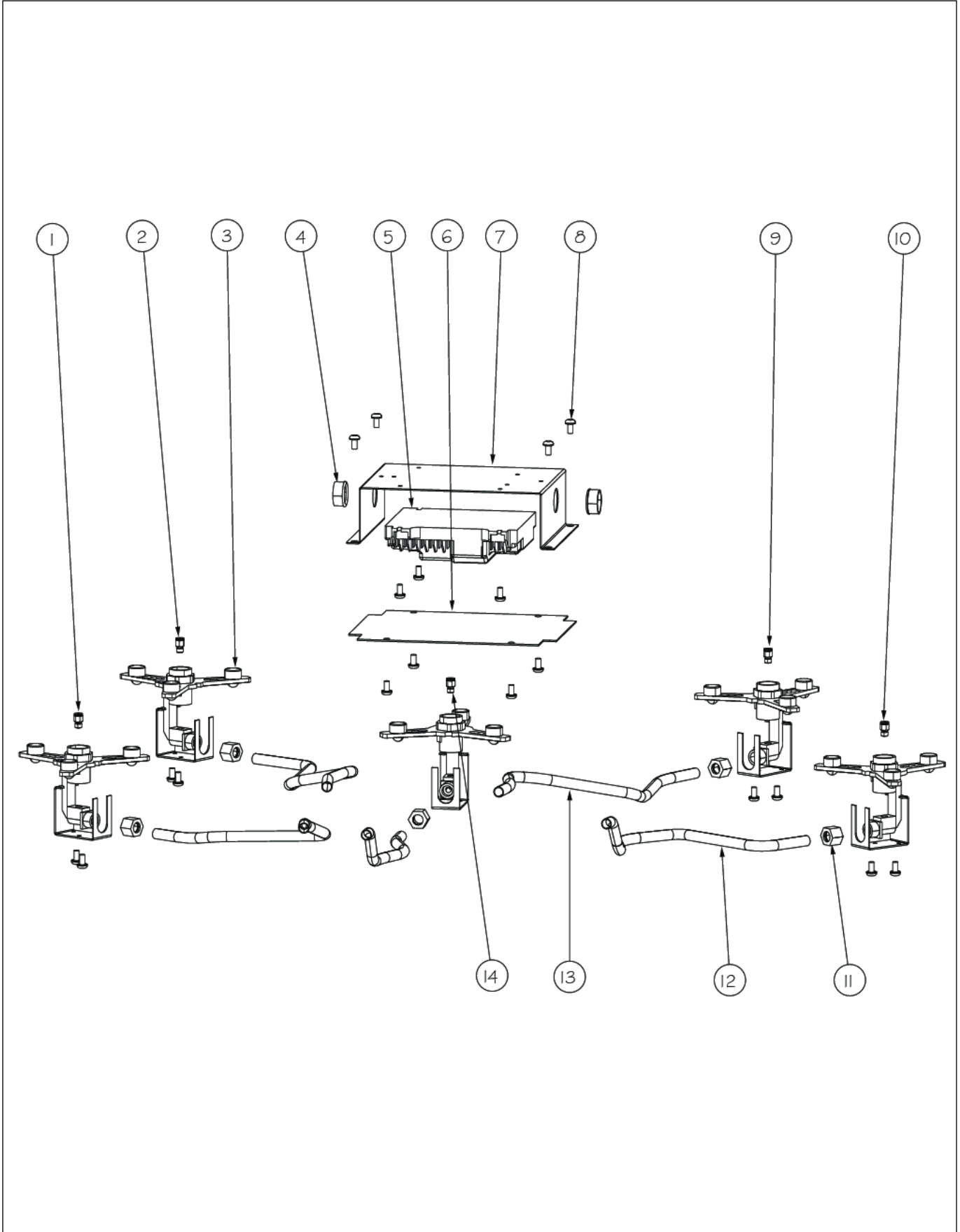


**DGCU165-5B (ON OR AFTER
02/09/06)**

BURNER BOX INTERIOR	1
CONTROL AREA	2
SURFACE COOKING AREA	3
UNIT EXTERIOR	4
WIRING	5
Appendix A:Pages Index	A
Appendix B:Parts Index	B

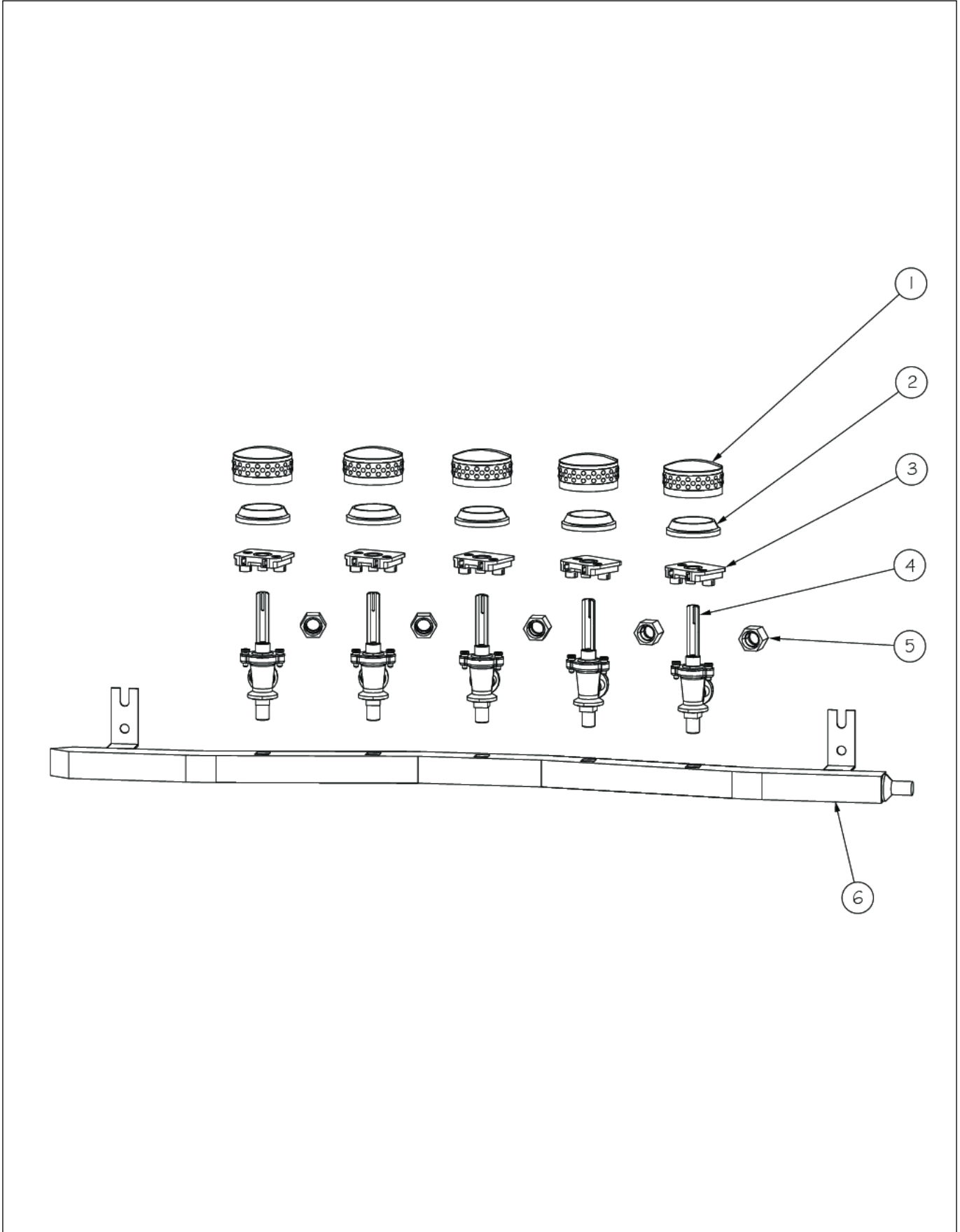
BURNER BOX INTERIOR





Item	Part No.	Name	Qty	Uom	NOTES
1	PB040196	# 51 ORIFICE FOR SEALED BURNER	1	EA	
NI	PB040200	#57 ORIFICE - LP	1	EA	
3	PB050061	JET HOLDER (DGCUC)	2	EA	
4	PD040005	SNAP BUSHING - 7/8"	2	EA	
5	PA020042	Spark Module	1	EA	
6	A1005718	MODULE COVER	1	EA	NO LONGER AVAILABLE, Not available online / Call for pricing and availability
7	A2005717	SPARK MODULE BOX (DGCUC)	1	EA	
8	PD020004	10X3/8PH.HD.TYPE 25 REPL PD040125	19	EA	
9	PB040198	# 54 ORIFICE FOR SEALED BURNER	1	EA	
NI	PB040202	NO.63 ORIFICE FOR SEALED BURNER - LP	1	EA	
10	PB040199	ORIFICE NO.56	1	EA	
NI	PB040203	#65 ORIFICE FOR SEALED BURNER	1	EA	
11	PB040192	3/8" CC FERREL (DGCUC)	5	EA	
12	PB020190	10" FLEX TUBE	3	EA	
13	PB020126	3/8" S.S. FLEX TUBING 15" (DGCUC)	2	EA	
14	PB040195	# 50 ORIFICE FOR SEALED BURNER	1	EA	
NI	PB040200	#57 ORIFICE - LP	1	EA	

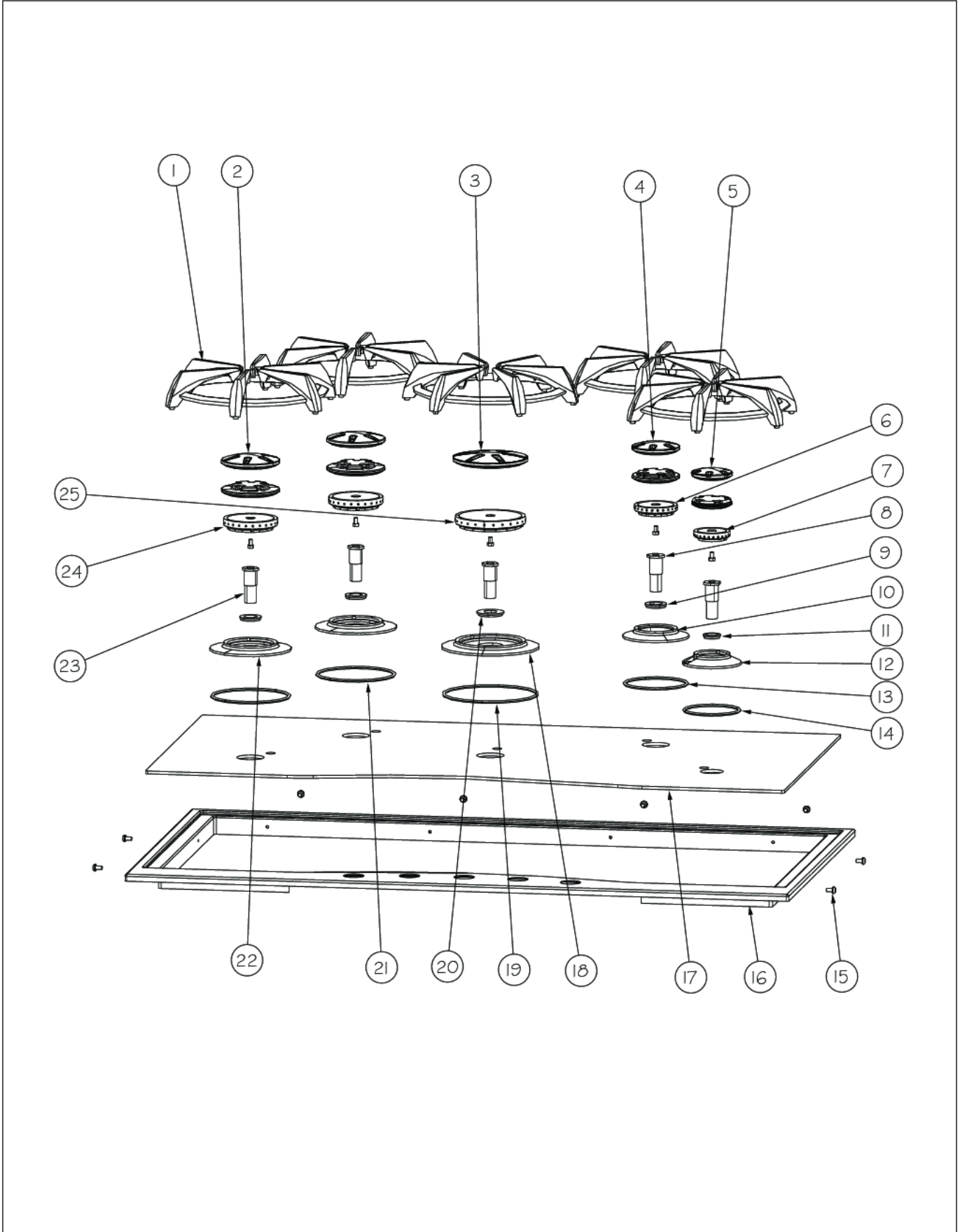
CONTROL AREA





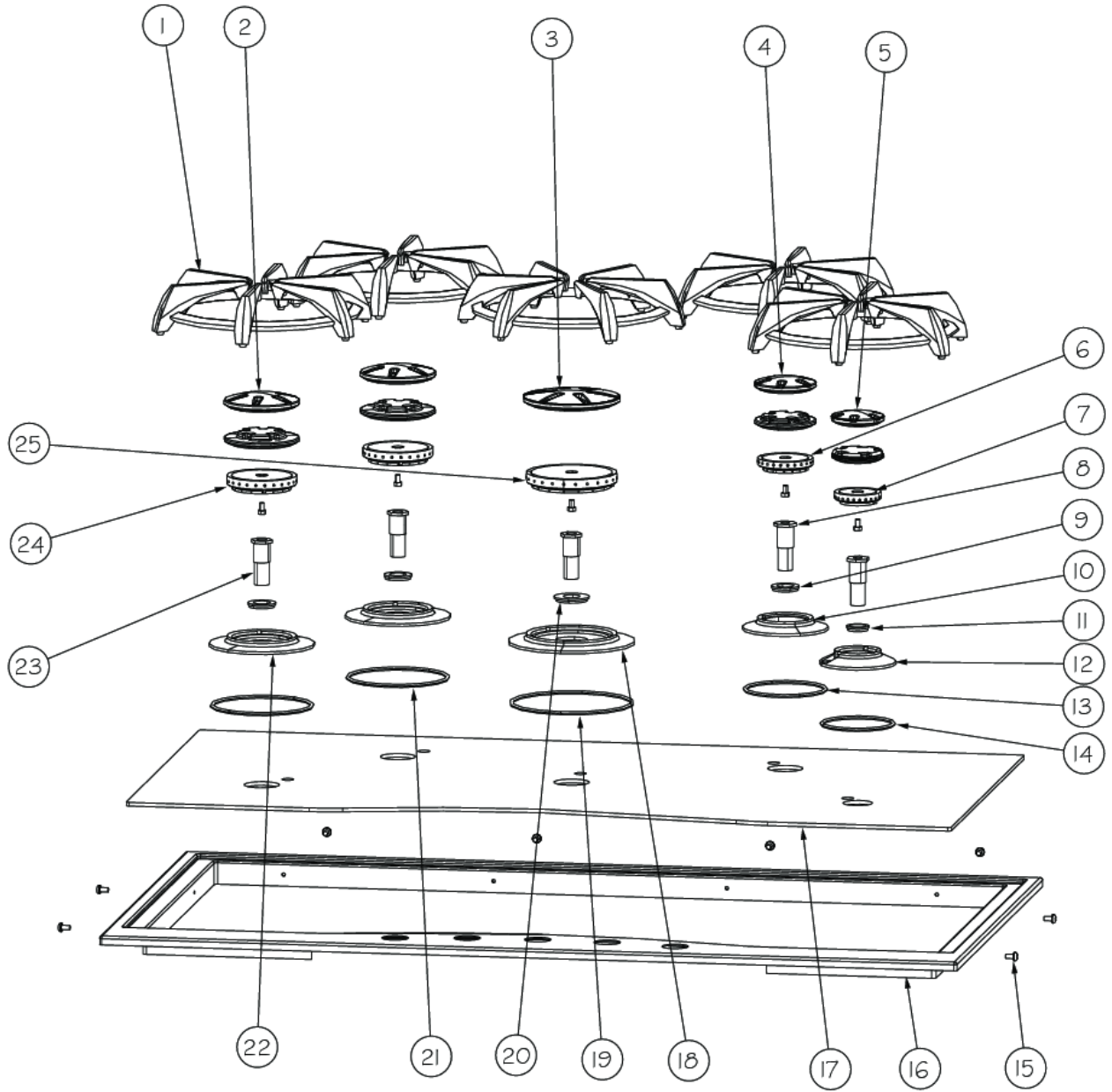
Item	Part No.	Name	Qty	Uom	NOTES
1	PB010200	GAS DESIGNER COOKTOP KNOB	5	EA	
NI	PB010200PVD	GAS DESIGNER COOKTOP KNOB - BRASS	5	EA	
NI	PB010214	GAS DESIGNER COOKTOP KNOB - WH	5	EA	
NI	PB010214PVD	GAS DESIGNER COOKTOP KNOB - BRASS	5	EA	
2	PB070079	SILICONE EXTRUSION (DGSU)	5	EA	
3	PA020045	Spark Ignition Switch	5	EA	
4	007146-000	COOKTOP REVERSE FLOW VALVE	5	EA	
5	PB040192	3/8" CC FERREL (DGPU)	5	EA	
6	PA050074	36" CS MANIFOLD WITH Z-BRACKET	1	EA	NO LONGER AVAILABLE, Not available online / Call for pricing and availability

SURFACE COOKING AREA





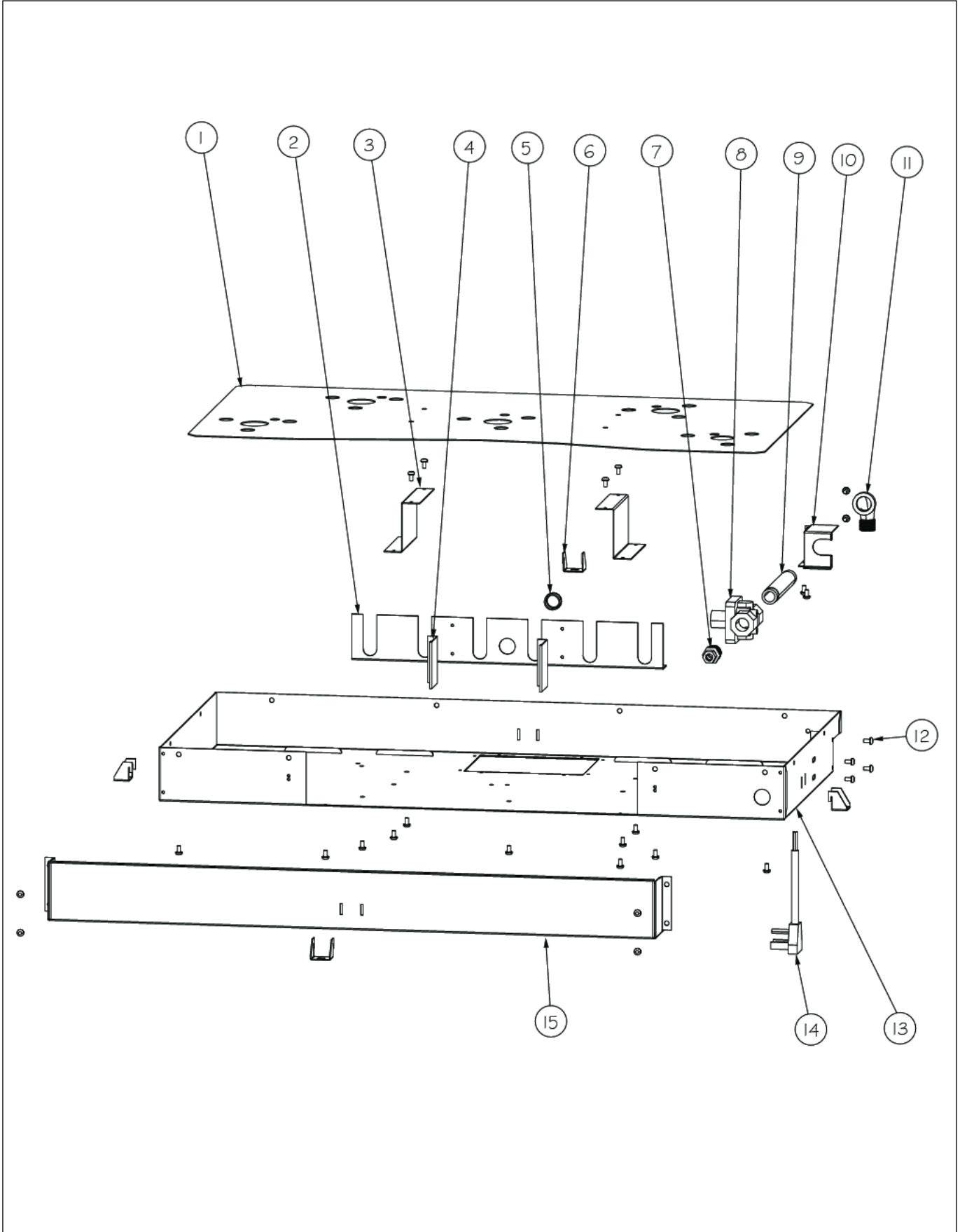
Item	Part No.	Name	Qty	Uom	NOTES
1	PA060055	GRATES BK	5	EA	
2	PA080070	BK MATTE BURNER CAP	2	EA	
3	PA080072	BK MATTE BURNER CAP	1	EA	
4	PA080068	BK MATTE BURNER CAP	1	EA	
5	PA080066	BURNER CAP MATTE BLACK	1	EA	
6	PA080063	B ^{'''} BURNER HEAD (9,000 BTU) DGC	1	EA	NO LONGER AVAILABLE
7	PA080062	A ^{'''} BURNER HEAD (6,000 BTU) DGCUC	1	EA	
8	PD030067	BURNER VENTURI A & B (DGCUC)	2	EA	
9	PD040058	B/C - BURNER ALIGNMENT BUSHING-DGCUC	3	EA	
10	PA080059	B BURNER BASE DGCUC	1	EA	
11	PD040057	A-BURNER ALIGNMENT BUSHING (DGCUC)	1	EA	
12	PA080060	A BURNER BASE DGCUC	1	EA	
13	PB070061	Burner O-Ring (Right Rear Burner)	1	EA	
14	PB070060	Burner O-Ring (Front Right Burner)	1	EA	
15	PD020004	10X3/8PH.HD.TYPE 25 REPL PD040125	8	EA	
16	014777-000	TOP, ASM, DGCUC165-5B	1	EA	NOT FIELD REPLACEABLE
NI	014777-000	TOP, ASM, DGCUC165-5B	1	EA	NOT FIELD REPLACEABLE
17	PE040115	36" DGCUC GLASS BLACK	1	EA	Not available online / Call for pricing and availability
NI	PE040123	36 DGCUC GLASS (WHITE)	1	EA	NO LONGER AVAILABLE, Not available online / Call for pricing and availability
18	PA080057	BURNER BASE ASM	1	EA	
19	PB070063	Burner O-Ring (Front - Left Burner)	1	EA	





Item	Part No.	Name	Qty	Uom	NOTES
Comments for Part Num. PB070063					
parts@dtappliance.com on Sep 7, 2016					
This part is now NLA					
20	PD040059	D-BURNER ALIGNMENT BUSHING (DGCU)	1	EA	
21	PB070062	Burner O-Ring (Front & Rear Center / Rear Left)	2	EA	
22	PA080058	C BURNER BASE DGCU	2	EA	NO LONGER AVAILABLE
23	PD030068	VENTURI, C&D (DGCU)	2	EA	
24	PA080064	C"" BURNER HEAD (12,000 BTU) DGC	2	EA	
25	PA080065	D"" BURNER HEAD (14,000 BTU) DGC	1	EA	

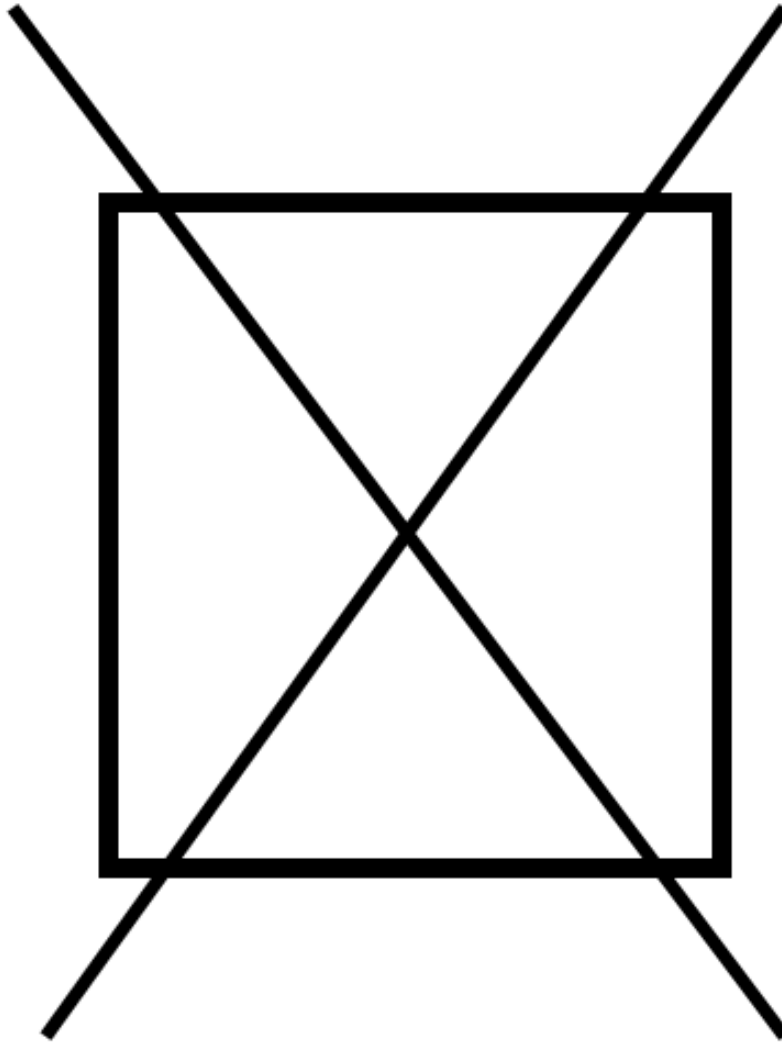
UNIT EXTERIOR





Item	Part No.	Name	Qty	Uom	NOTES
1	A1008402	DGCUC 36" GLASS SHIELD	1	EA	Not available online / Call for pricing and availability
2	A2005720	30" TUBE BRACKET DGCUC	1	EA	NO LONGER AVAILABLE, Not available online / Call for pricing and availability
3	A20012993	GLASS SHIELD BRACKET	2	EA	NO LONGER AVAILABLE, Not available online / Call for pricing and availability
4	A2008404	DGCUC TOP SUPPORT BRACKET	2	EA	NO LONGER AVAILABLE, Not available online / Call for pricing and availability
5	PD040005	SNAP BUSHING - 7/8"	1	EA	
6	A2005721	MOUNT BRACKET (DECU)	4	EA	
7	PB040191	3/8" CC TO 3/4" ADAPTER (DGCUC)	1	EA	
8	PA070004	Pressure Regulator (Nat.)	1	EA	
NI	PA070005	PRESSURE REG.(LP) RV47L-77-10.0	1	EA	
9	PB040175	1/2" PIPE NIPPLE (6.375 LONG)	1	EA	NO LONGER AVAILABLE
10	A20013151	SUPPLY BRACKET	1	EA	NO LONGER AVAILABLE
11	PA050085	1/2" STREET ELBOW	1	EA	NO LONGER AVAILABLE
12	PD020004	10X3/8PH.HD.TYPE 25 REPL PD040125	27	EA	
13	A2005713	DGCUC36 BURNER BOX	1	EA	NO LONGER AVAILABLE, Not available online / Call for pricing and availability
14	G4007440	SUPPLY CORD ASSY	1	EA	
15	A3005710	36 CS CONTROL PANEL COVER	1	EA	

NON ILLUSTRATED PART





Item	Part No.	Name	Qty	Uom	NOTES
NI	G4005731	WIRING HARNESS (DGCU 36""")	1	EA	
NI	G4003056	NUETRAL WIRE - (VGSU101/161)	1	EA	NO LONGER AVAILABLE
NI	G4001678	WIRE ASSY *AL* 36"	5	EA	
NI	G4001648	SPARK IGNITER WIRE (22")	4	EA	
NI	PE070719	IGNITOR WIRE KIT - VDSC3674Q	1	EA	
NI	G4000936	GROUND WIRE	2	EA	
NI	G4001656	SPARK MODULE GROUND WIRE	1	EA	



Appendix A:Pages Index

BURNER BOX INTERIOR 1
CONTROL AREA 2
SURFACE COOKING AREA 3
UNIT EXTERIOR 4
WIRING 5



Appendix B:Parts Index

007146-000	2	PB010214	2
014777-000	3, 3	PB010214PVD	2
A1005718	1	PB020126	1
A1008402	4	PB020190	1
A20012993	4	PB040175	4
A20013151	4	PB040191	4
A2005713	4	PB040192	1, 2
A2005717	1	PB040195	1
A2005720	4	PB040196	1
A2005721	4	PB040198	1
A2008404	4	PB040199	1
A3005710	4	PB040200	1, 1
G4000936	5	PB040202	1
G4001648	5	PB040203	1
G4001656	5	PB050061	1
G4001678	5	PB070060	3
G4003056	5	PB070061	3
G4005731	5	PB070062	3
G4007440	4	PB070063	3
PA020042	1	PB070079	2
PA020045	2	PD020004	1, 3, 4
PA050074	2	PD030067	3
PA050085	4	PD030068	3
PA060055	3	PD040005	1, 4
PA070004	4	PD040057	3
PA070005	4	PD040058	3
PA080057	3	PD040059	3
PA080058	3	PE040115	3
PA080059	3	PE040123	3
PA080060	3	PE070719	5
PA080062	3		
PA080063	3		
PA080064	3		
PA080065	3		
PA080066	3		
PA080068	3		
PA080070	3		
PA080072	3		
PB010200	2		
PB010200PVD	2		