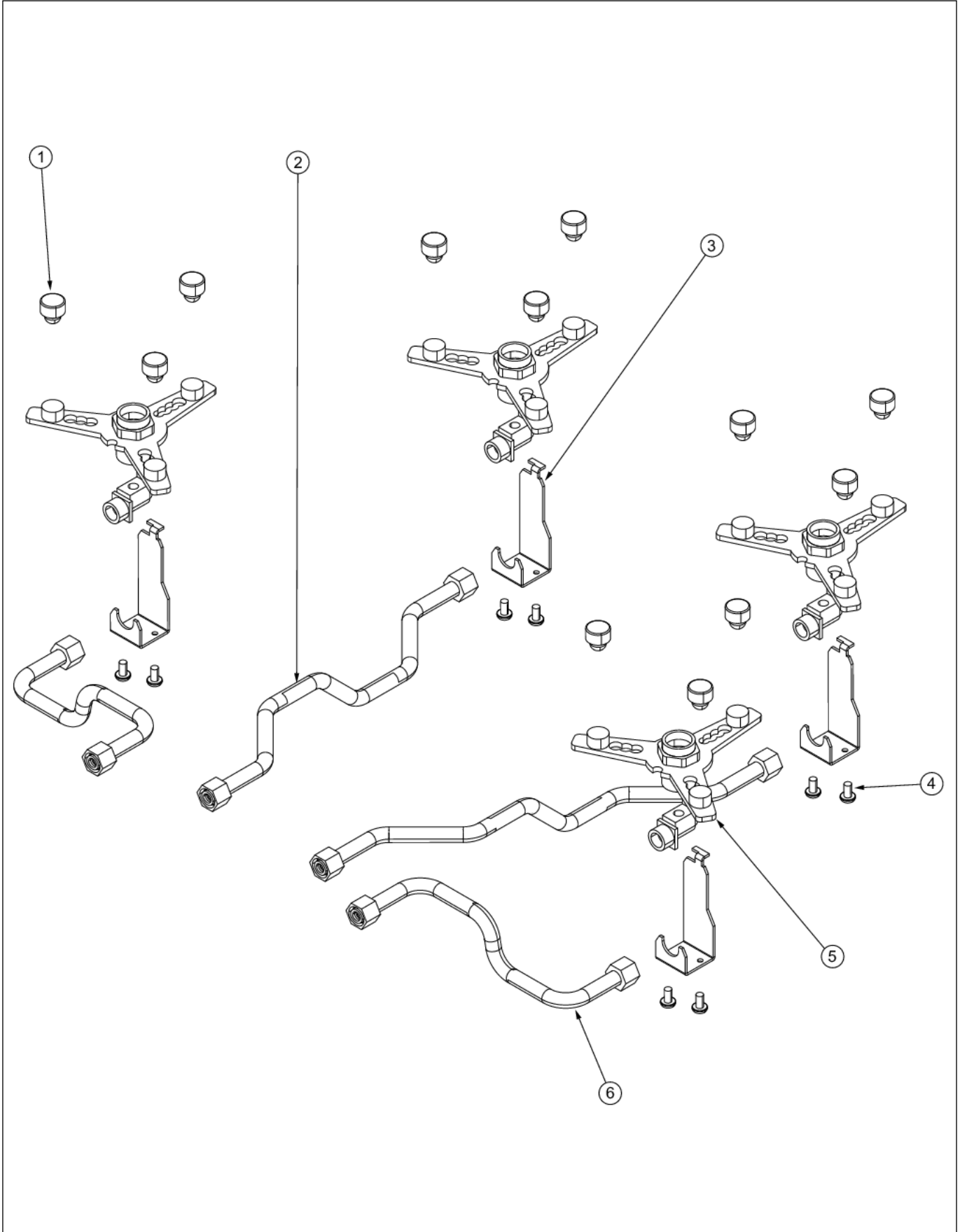


# DGCU106-4B

BURNER BOX AREA .....	1
CONTROL AREA .....	2
SURFACE COOKING AREA .....	3
UNIT EXTERIOR .....	4
Appendix A:Pages Index .....	A
Appendix B:Parts Index .....	B



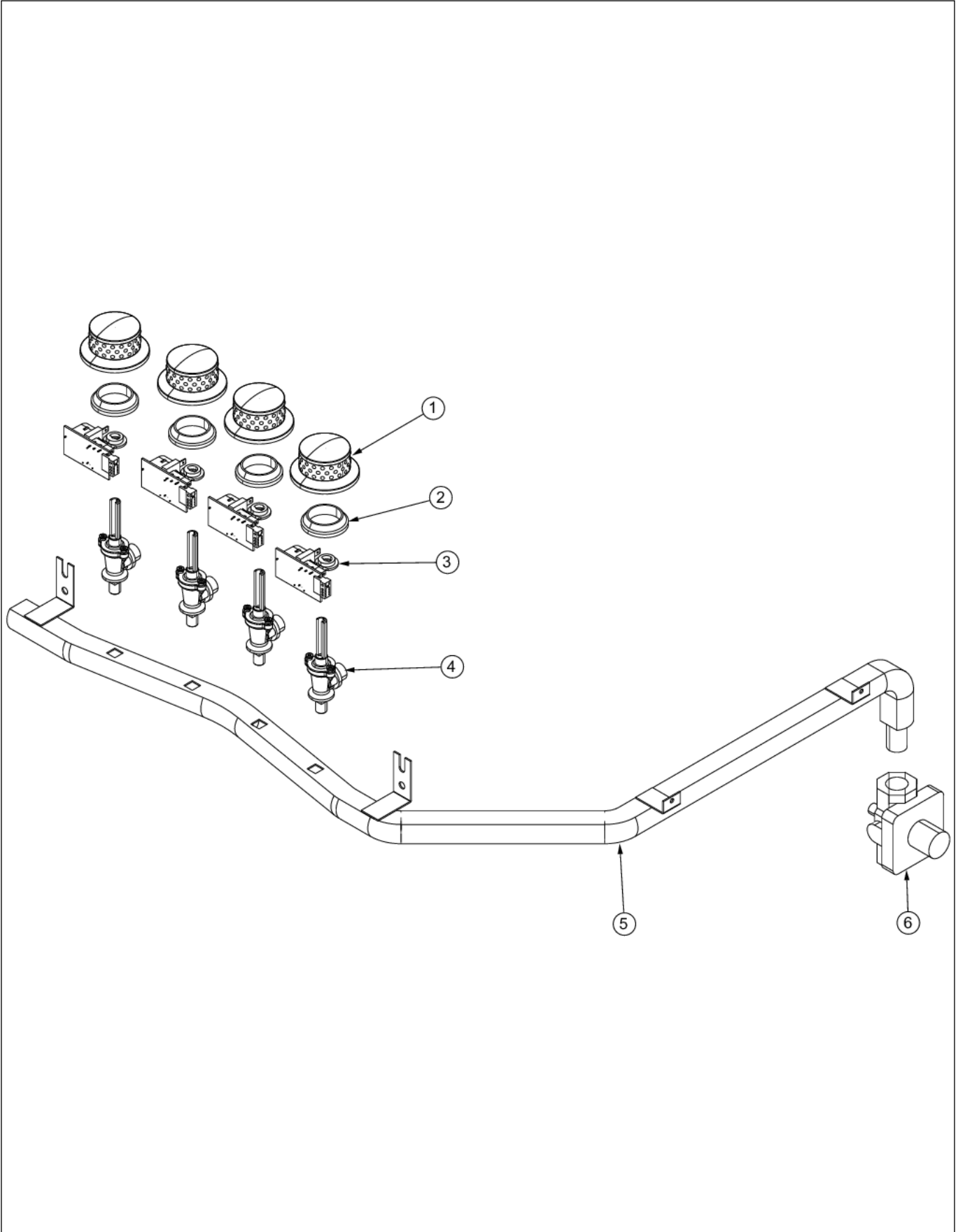
BURNER BOX AREA





Item	Part No.	Name	Qty	Uom	NOTES
1	PD040061	HIGH HEAT SILICON PAD	12	EA	
2	014351-000	TUBE, ASM, DGCU106 B	2	EA	
3	013908-000	BRACKET, ORIFICE HOLDER	4	EA	
4	PD020004	10X3/8PH.HD.TYPE 25 REPL PD040125	8	EA	
5	PB050061	JET HOLDER (DGCU)	4	EA	
6	014349-000	TUBE, ASM, DGCU106 A	2	EA	

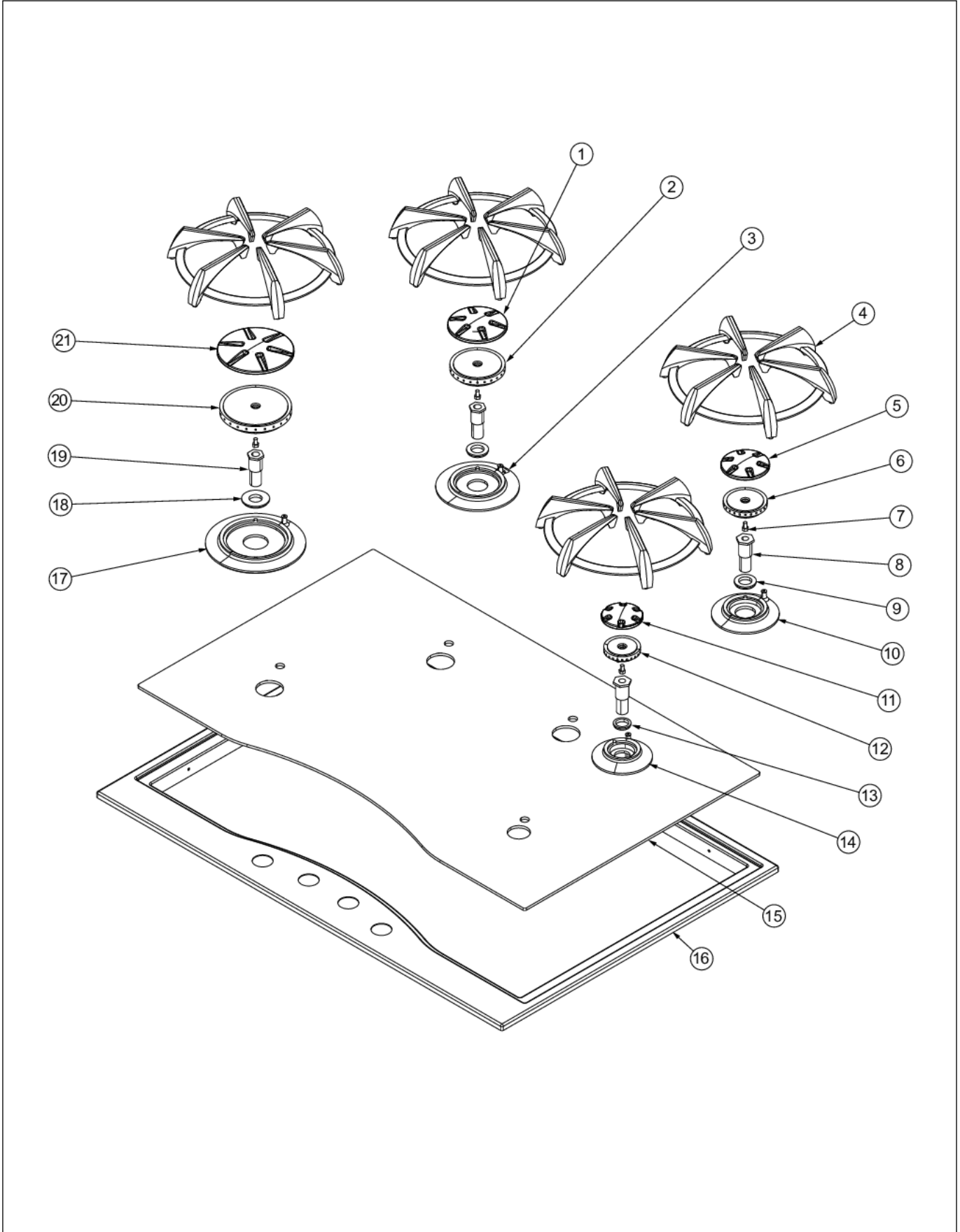
CONTROL AREA





Item	Part No.	Name	Qty	Uom	NOTES
1	011731-000	KNOB, BK, DESIGNER COOKTOP	4	EA	
NI	014558-000	KNOB, VLV, GRAY BAND, DES COOKTOP	4	EA	
2	PB070079	SILICONE EXTRUSION (DGSU)	4	EA	
3	015112-000	MODULE, SPK IRIS COOKTOP	4	EA	
4	007146-000	COOKTOP REVERSE FLOW VALVE	4	EA	
5	014585-000	MANIFOLD, ASM	1	EA	
6	PA070004	Pressure Regulator (Nat.)	1	EA	
NI	PA070005	PRESSURE REG.(LP) RV47L- 77-10.0	1	EA	
NI	PB040195	# 50 ORIFICE FOR SEALED BURNER	1	EA	
NI	PB040236	#55 NAT	1	EA	
NI	PB040200	#57 ORIFICE - LP	1	EA	

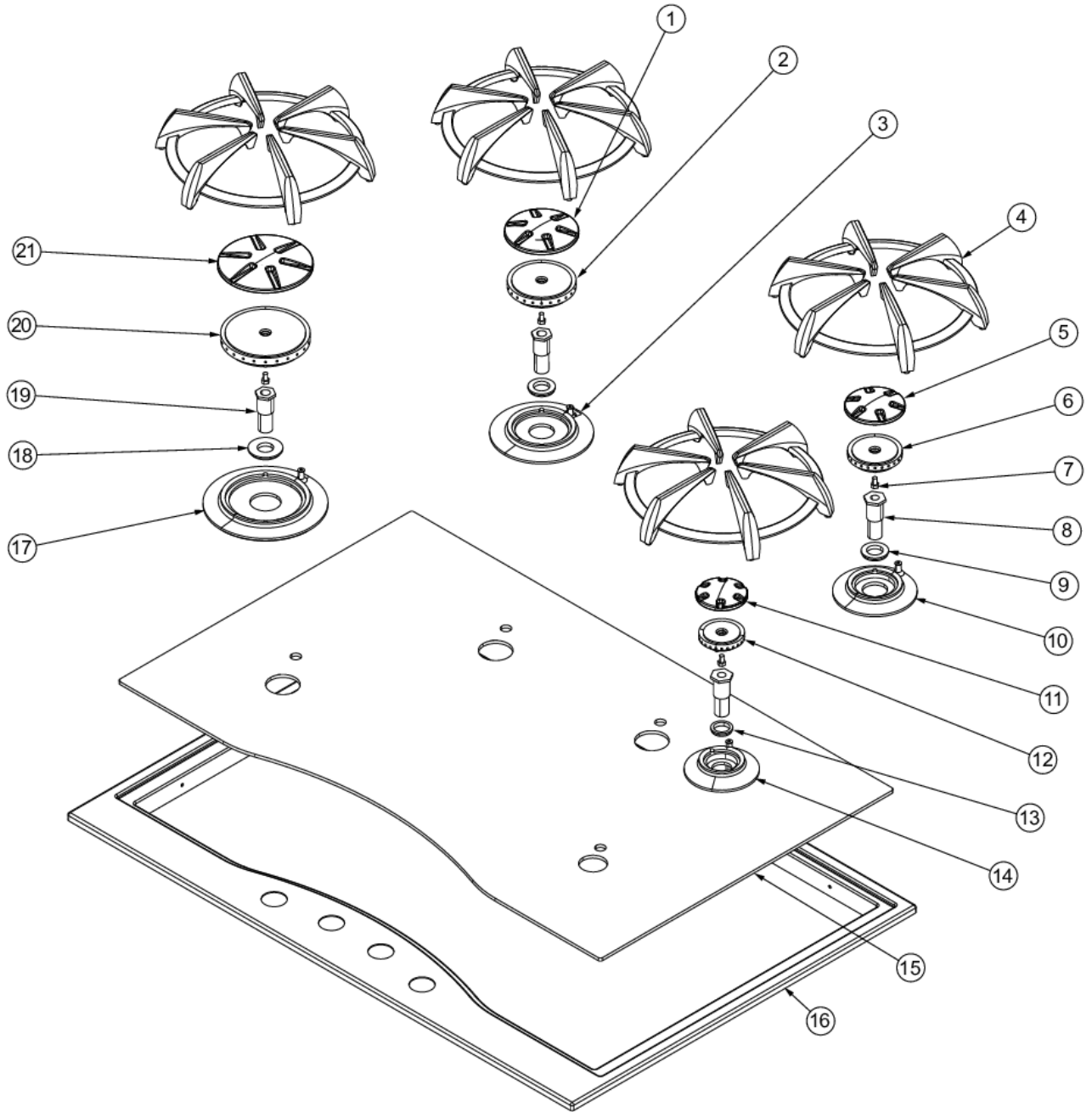
SURFACE COOKING AREA







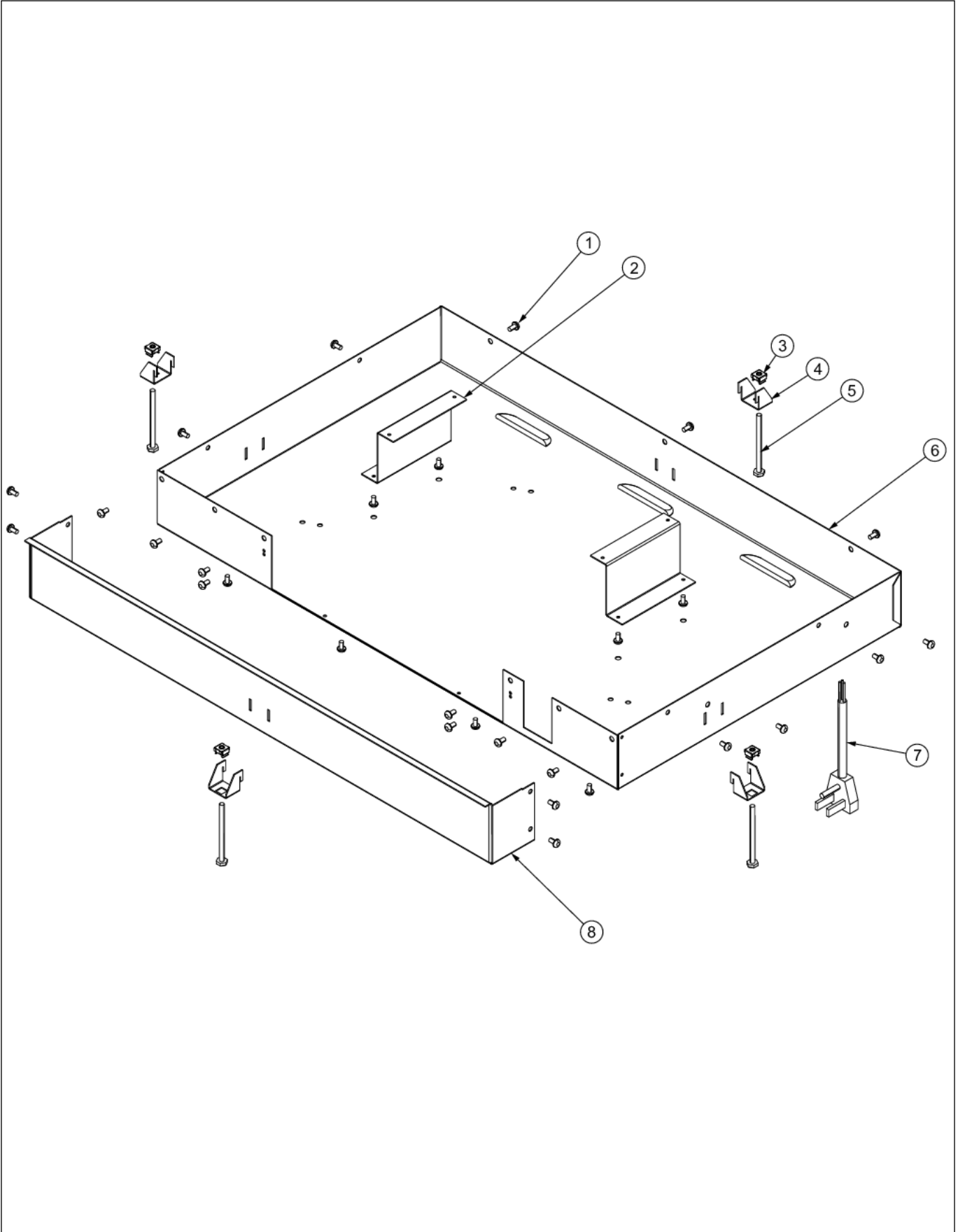
Item	Part No.	Name	Qty	Uom	NOTES
1	PA080070	BK MATTE BURNER CAP	1	EA	
NI	PA080071	GRAY MATTE BURNER CAP	1	EA	NO LONGER AVAILABLE
2	PA080064	C''' BURNER HEAD (12,000 BTU) DGC	1	EA	
3	PA080058	C BURNER BASE DGCUC	1	EA	NO LONGER AVAILABLE
4	PA060055	GRATES BK	4	EA	
NI	PA060056	DGCUC GRATE MATTE GRAY	4	EA	
5	PA080068	BK MATTE BURNER CAP	1	EA	
NI	PA080069	GRAY MATTE BURNER CAP	1	EA	NO LONGER AVAILABLE
6	PA080063	B''' BURNER HEAD (9,000 BTU) DGC	1	EA	NO LONGER AVAILABLE
7	PD010049	BOLT, M5 X 8 (DGCUC) - NLA	4	EA	
8	PD030067	BURNER VENTURI A & B (DGCUC)	2	EA	
9	PD040058	B/C - BURNER ALIGNMENT BUSHING-DGCUC	2	EA	
10	PA080059	B BURNER BASE DGCUC	1	EA	
11	PA080066	BURNER CAP MATTE BLACK	1	EA	
NI	PA080067	GRAY MATTE BURNER CAP	1	EA	NO LONGER AVAILABLE
12	PA080062	A''' BURNER HEAD (6,000 BTU) DGCUC	1	EA	
13	PD040057	A-BURNER ALIGNMENT BUSHING (DGCUC)	1	EA	
14	PA080060	A BURNER BASE DGCUC	1	EA	
15	PE040114	30" DGCUC GLASS BLACK	1	EA	Not available online / Call for pricing and availability
NI	PE040122	30 DGCUC GLASS (WHITE)	1	EA	
16	017278-000	DGCUC106 TOP, SB	1	EA	
17	PA080057	BURNER BASE ASM	1	EA	
18	PD040059	D-BURNER ALIGNMENT BUSHING (DGCUC)	1	EA	
19	PD030068	VENTURI, C&D (DGCUC)	2	EA	
20	PA080065	D''' BURNER HEAD (14,000 BTU) DGC	1	EA	





Item	Part No.	Name	Qty	Uom	NOTES
21	PA080072	BK MATTE BURNER CAP	1	EA	
NI	PA080073	GRAY MATTE BURNER CAP	1	EA	NO LONGER AVAILABLE
NI	PB040274	NO.58 - NAT	1	EA	
NI	PB040271	#60 LP	1	EA	
NI	PB040258	LP Orifice #69	1	EA	
NI	PB040204	#67 LP	1	EA	

UNIT EXTERIOR





Item	Part No.	Name	Qty	Uom	NOTES
1	PD020004	10X3/8PH.HD.TYPE 25 REPL PD040125	30	EA	
2	A20012993	GLASS SHIELD BRACKET	2	EA	NO LONGER AVAILABLE, Not available online / Call for pricing and availability
3	PD030029	SELF RETAINING NUT (1/4-20)	4	EA	
4	A2005721	MOUNT BRACKET (DECU)	4	EA	
5	PD020123	BOLT 1/4-20 X 3 HEX HD	4	EA	
6	015148-000	BOX, COOKTOP	1	EA	
7	G4007440	SUPPLY CORD ASSY	1	EA	
8	A3005722	DGCU30 CONTROL PANEL COVER	1	EA	NO LONGER AVAILABLE, Not available online / Call for pricing and availability



Appendix A:Pages Index

BURNER BOX AREA .....	1
CONTROL AREA .....	2
SURFACE COOKING AREA .....	3
UNIT EXTERIOR .....	4



Appendix B:Parts Index

007146-000	2	PB040274	3
011731-000	2	PB050061	1
013908-000	1	PB070079	2
014349-000	1	PD010049	3
014351-000	1	PD020004	1, 4
014558-000	2	PD020123	4
014585-000	2	PD030029	4
015112-000	2	PD030067	3
015148-000	4	PD030068	3
017278-000	3	PD040057	3
A20012993	4	PD040058	3
A2005721	4	PD040059	3
A3005722	4	PD040061	1
G4007440	4	PE040114	3
PA060055	3	PE040122	3
PA060056	3		
PA070004	2		
PA070005	2		
PA080057	3		
PA080058	3		
PA080059	3		
PA080060	3		
PA080062	3		
PA080063	3		
PA080064	3		
PA080065	3		
PA080066	3		
PA080067	3		
PA080068	3		
PA080069	3		
PA080070	3		
PA080071	3		
PA080072	3		
PA080073	3		
PB040195	2		
PB040200	2		
PB040204	3		
PB040236	2		
PB040258	3		
PB040271	3		