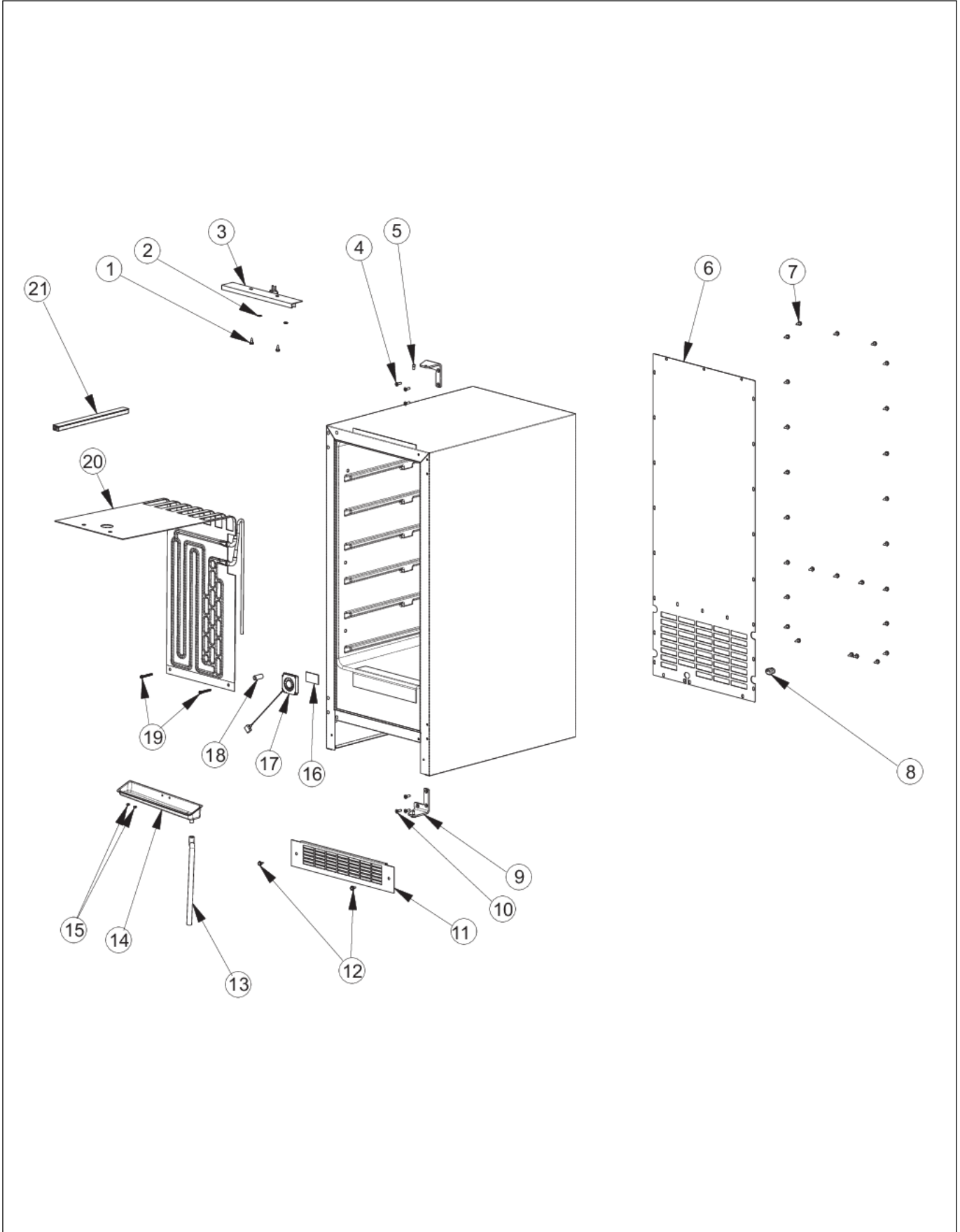


DFUW154

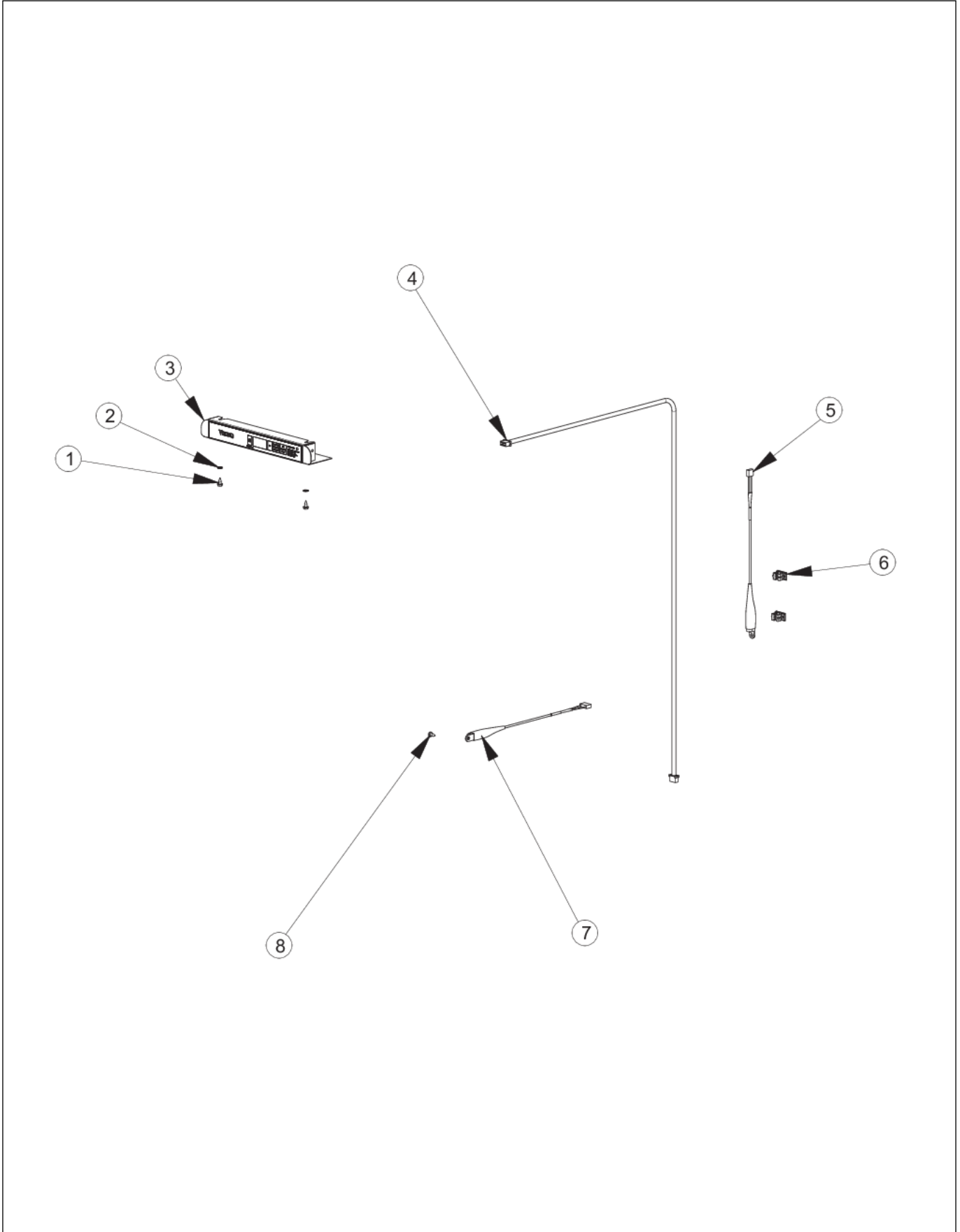
CABINET AREA	1
CONTROL AREA	2
GLASS FOL DOOR	3
INTERIOR SHELVING	4
LOWER UNIT AREA	5
Appendix A:Pages Index	A
Appendix B:Parts Index	B

CABINET AREA



Item	Part No.	Name	Qty	Uom	NOTES
1	009924-000	WASHER HD SCREW - ZN	2	EA	
2	007641-000	#10 EXTERNAL TOOTH LOCKWASHER	1	EA	
3	PS100007	AURA LIGHT ASSY (BLACK) 42245124	1	EA	
4	010236-000	10-32 X 3/4" PHILLIPS COUNTERSUNK SCREW, ZN	3	EA	Not available online / Call for pricing and availability
5	010695-000	STANDARD HINGE, RIGHT TOP, CHROME	1	EA	
6	PS100019	BACK PANEL ASSEMBLY (42245283) 152 WC	1	EA	
7	009924-000	WASHER HD SCREW - ZN	26	EA	
8	010021-000	BUSHING	1	EA	
9	010702-000	STANDARD HINGE, RIGHT BOTTOM, CHROME	1	EA	
10	010236-000	10-32 X 3/4" PHILLIPS COUNTERSUNK SCREW, ZN	3	EA	Not available online / Call for pricing and availability
11	028470-000	TOE GRILLE, BLACK	1	EA	
12	009489-000	#12 X 3/4 TYPE AB PHILLIPS SCREW, BLACK	2	EA	
13	PW240045	SERV. ASSY BLACK DRAIN TUBE 42244609	1	EA	
14	010772-000	DRIP TRAY - BL	1	EA	
15	PW200019	POP RIVET	2	EA	Not available online / Call for pricing and availability
16	010245-000	DOUBLEE SIDED TAPE, 1.75"	1	EA	
17	009747-000	EVAPORATOR FAN	1	EA	
18	010028-000	1" SPACER - BK	2	EA	
19	PW200007	SCREW, EVAPOR. (VUWC140)* 08204902	2	EA	NO LONGER AVAILABLE
20	010774-000	EVAPORATOR ASSEMBLY	1	EA	
21	010022-000	WIRE CONDUIT	1	EA	
NI	022494-000	Leg Leveler	4	EA	

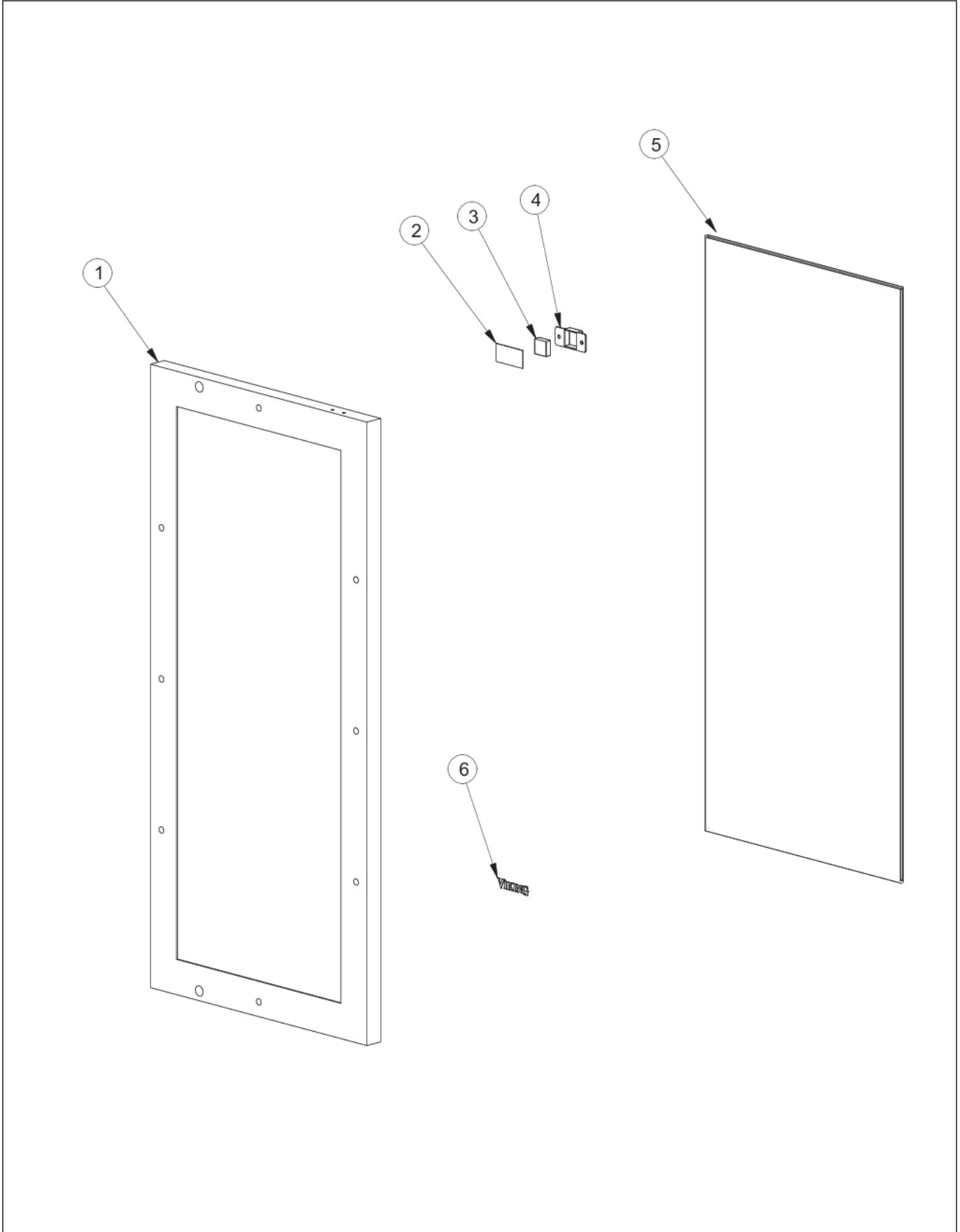
CONTROL AREA





Item	Part No.	Name	Qty	Uom	NOTES
1	009924-000	WASHER HD SCREW - ZN	2	EA	
2	009486-000	#10 EXTERNAL TOOTH STAR WASHER, SS	2	EA	Not available online / Call for pricing and availability
3	028581-000	DISPLAY ASM BK, 15" WC GLASS DR.	1	EA	
4	010227-000	COMMUNICATION CABLE	1	EA	
5	009483-000	EVAPORATOR TEMPERATURE THERMISTOR	1	EA	
6	007640-000	PLASTIC WIRE CLIP	2	EA	Not available online / Call for pricing and availability
7	010220-000	DISPLAY TEMP SENSOR	1	EA	
8	010698-000	SCREW, #10 X .5 ZN	1	EA	Not available online / Call for pricing and availability

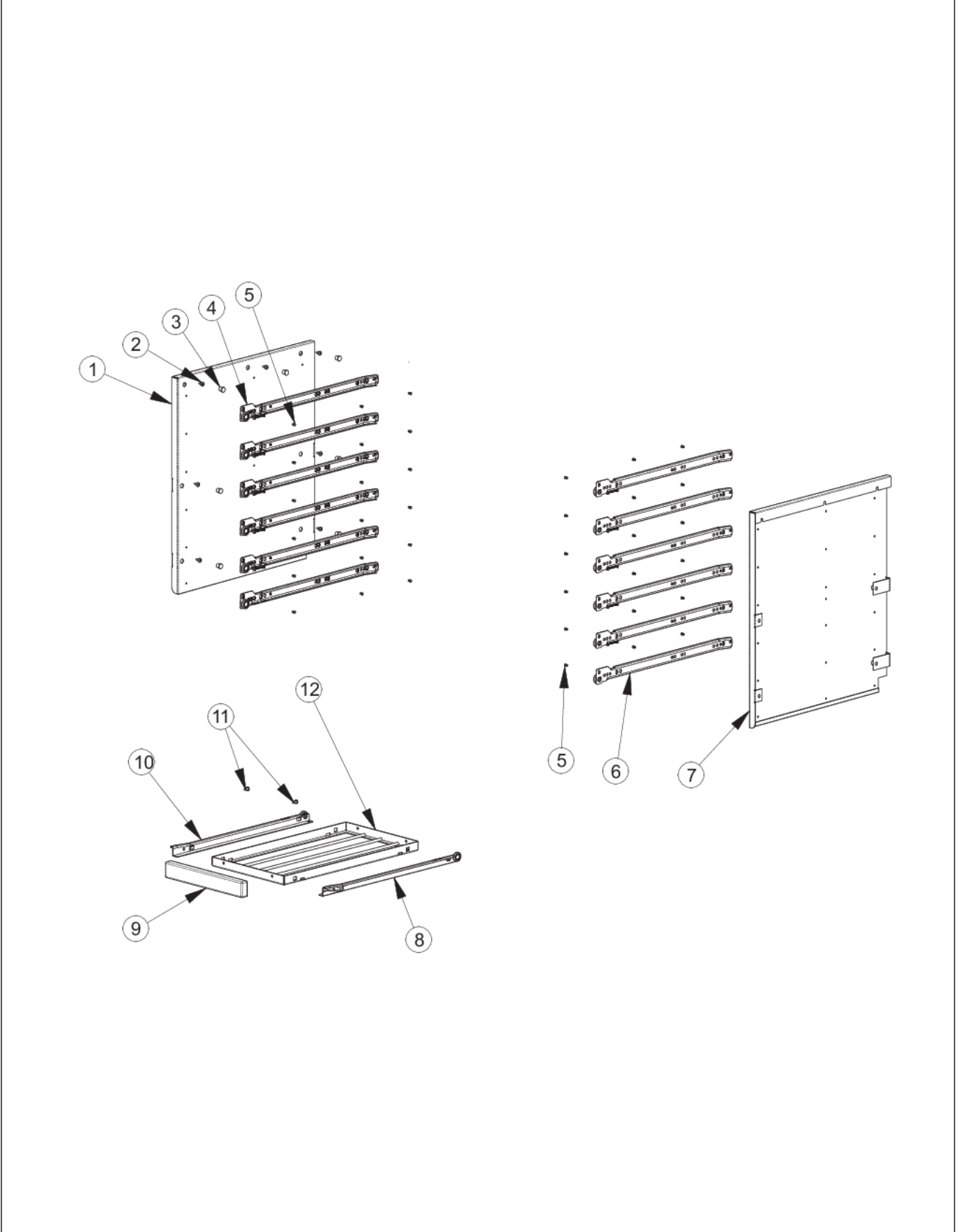
GLASS FOL DOOR





Item	Part No.	Name	Qty	Uom	NOTES
1	PW230123	151 WC FO CLEAR GLASS (41007799)	1	EA	NO LONGER AVAILABLE, Not available online / Call for pricing and availability
NI	010744-000	DOOR - CLEAR GLASS	1	EA	
NI	PW230122	151 WC FO FLUTED GLASS (41007612)	1	EA	NO LONGER AVAILABLE, Not available online / Call for pricing and availability
NI	010746-000	DOOR - FLUTED GLASS	1	EA	
2	009762-000	3M TAPE, 1.75"	1	EA	
3	009759-000	DOOR SWITCH MAGNET	1	EA	
4	010216-000	DOOR SWITCH MAGNET RETAINER	1	EA	
5	PW230119	DOOR GASKET (42243908)	1	EA	
6	010009-000	DOOR LOGO	1	EA	
NI	010731-000	DOOR ASSEMBLY - RT, CLEAR GLASS W/LOCK	1	EA	
NI	010005-000	DOOR ASSEMBLY - RH CLEAR GLASS	1	EA	
NI	010735-000	DOOR ASSEMBLY - LT, CLEAR GLASS W/LOCK	1	EA	
NI	010006-000	DOOR ASSEMBLY - LH CLEAR GLASS	1	EA	
NI	010737-000	DOOR ASSEMBLY - RT, FLUTED GLASS W/LOCK	1	EA	
NI	010007-000	DOOR ASSEMBLY - RH FLUTED GLASS	1	EA	
NI	010741-000	DOOR ASSEMBLY - LT, FLUTED GLASS W/LOCK	1	EA	
NI	010008-000	DOOR ASSEMBLY - LH FLUTED GLASS	1	EA	

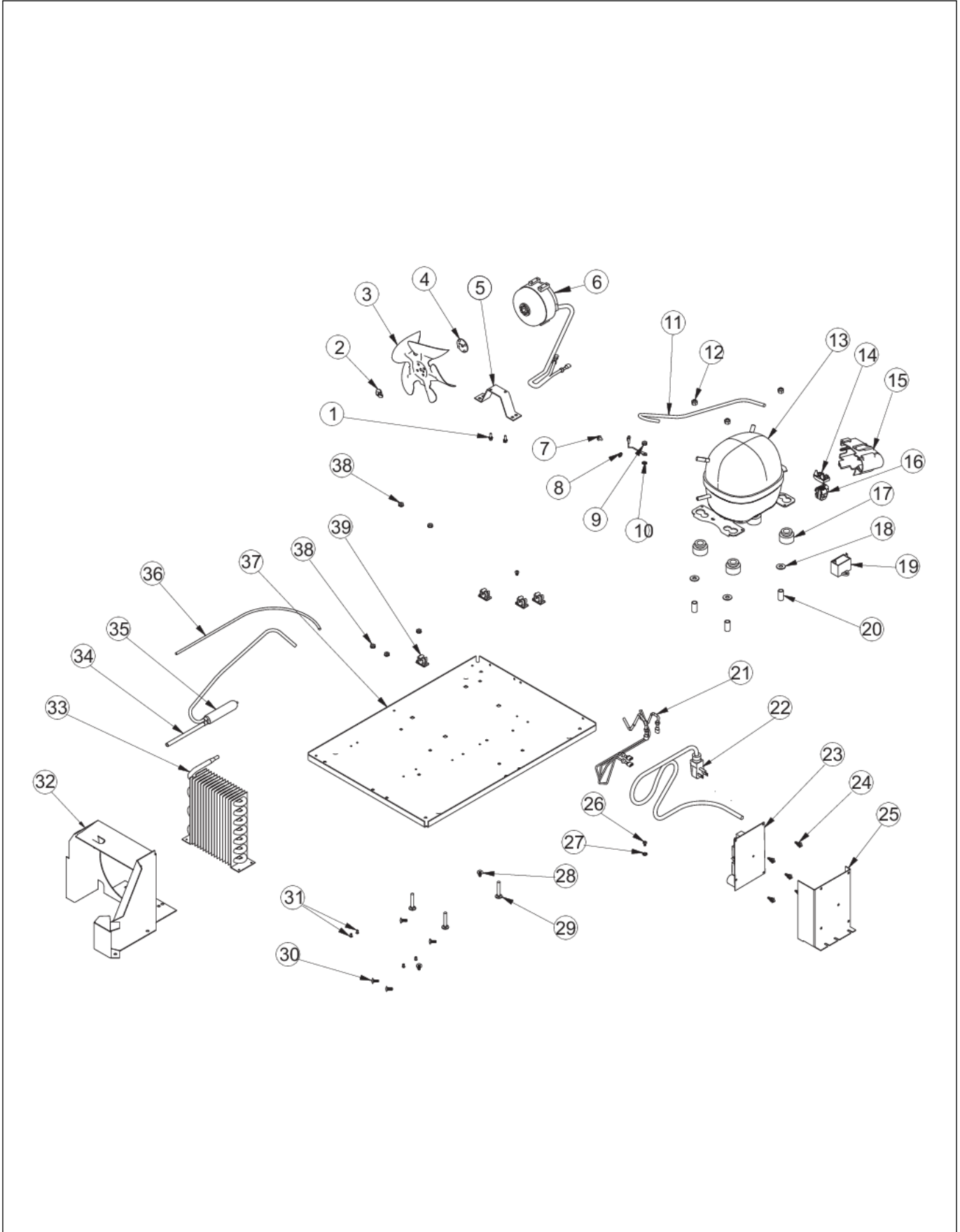
INTERIOR SHELVING





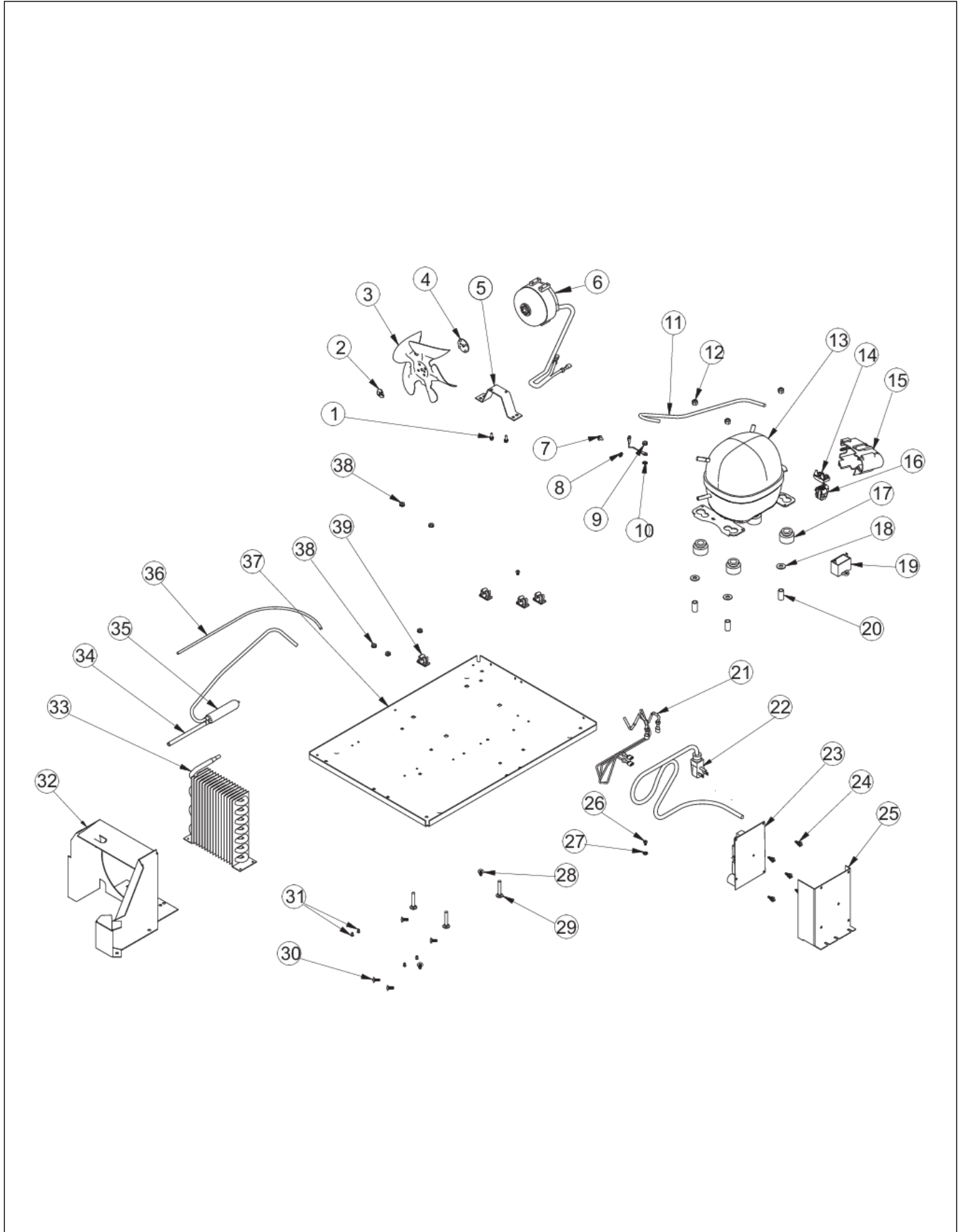
Item	Part No.	Name	Qty	Uom	NOTES
1	010769-000	LINER SHIELD - LH	1	EA	
2	010698-000	SCREW, #10 X .5 ZN	1	EA	Not available online / Call for pricing and availability
3	010228-000	BUSHING 2620	6	EA	Not available online / Call for pricing and availability
4	010226-000	CABINET SIDE, LH - BK	6	EA	
5	010039-000	RIVET, 1/8" STEEL	36	EA	Not available online / Call for pricing and availability
6	022346-000	BAYONET MOUNT CABINET SLIDE, BLACK	1	EA	
7	010773-000	LINER SHIELD - RH	1	EA	
8	010235-000	SHELF SLIDED, RH - BK	6	EA	
9	010771-000	FRONT NATURAL WOOD	6	EA	
10	010232-000	SHELF SLIDE, LH - BK	6	EA	
11	010230-000	SCREW, #8 X 1/2 PH PAN HEAD	12	EA	Not available online / Call for pricing and availability
12	010770-000	SHELF RACK	6	EA	Not available online / Call for pricing and availability

LOWER UNIT AREA





Item	Part No.	Name	Qty	Uom	NOTES
1	PW300152	FAN MOTOR ASSY (VUIM150) 42244701	2	EA	
2	PW200020	NUT, TINNERMAN	1	EA	Not available online / Call for pricing and availability
3	PW200037	FAN BLADE	1	EA	
4	PW200037	FAN BLADE	1	EA	
5	PW300152	FAN MOTOR ASSY (VUIM150) 42244701	1	EA	
6	PW300152	FAN MOTOR ASSY (VUIM150) 42244701	1	EA	
7	PW200029	SCREW	4	EA	NO LONGER AVAILABLE
8	PW300274	WASHER, INDOOR	2	EA	NO LONGER AVAILABLE
9	PW300137	Ground Wire	1	EA	Not available online / Call for pricing and availability
10	PW300143	LOCK WASHER (VUIM150) 42243619	1	EA	NO LONGER AVAILABLE
11	010035-000	PROCESSOR TUBE	1	EA	
12	PW200017	LOCK NUT .25-.20 UNC	3	EA	NO LONGER AVAILABLE, Not available online / Call for pricing and availability
13	PW240041	COMPRESSOR 15" (42242896)	1	EA	
14	PS100020	OVERLOAD (42245133) 152 WC	1	EA	
15	009507-000	RELAY COVER	1	EA	Not available online / Call for pricing and availability
16	PS100021	PTC RELAY (42245131) 152 WC	1	EA	
17	010036-000	GROMMET (COMES WITH COMPRESSOR)	4	EA	
18	PW200018	FLAT WASHER	3	EA	
19	PS100023	RUN CAPACITOR (42245134) 152 WC	1	EA	
20	010037-000	SLEEVE (COMES WITH COMPRESSOR)	3	EA	
21	010038-000	WIRE HARNESS	1	EA	





Item	Part No.	Name	Qty	Uom	NOTES
22	005835-000	POWER CORD - 42242054	1	EA	Not available online / Call for pricing and availability
23	009511-000	ELECTRONIC CONTROL BOARD AND BRACKET ASM	1	EA	
24	009513-000	STANDOFF	5	EA	
25	009514-000	CONTROL BOARD MOUNTING BRACKET	1	EA	
26	PW200017	LOCK NUT .25-.20 UNC	2	EA	NO LONGER AVAILABLE, Not available online / Call for pricing and availability
27	PW300274	WASHER, INDOOR	1	EA	NO LONGER AVAILABLE
29	010040-000	1/4-20 X 1 1/2 CARRIAGE BOLT	3	EA	
28	PW200017	LOCK NUT .25-.20 UNC	2	EA	NO LONGER AVAILABLE, Not available online / Call for pricing and availability
30	PW300152	FAN MOTOR ASSY (VUIM150) 42244701	6	EA	
31	010039-000	RIVET, 1/8" STEEL	4	EA	Not available online / Call for pricing and availability
32	PW240004	CONDENSER, R-134A	1	EA	
33	PW300159	CONDENSER ASSY	1	EA	
34	009810-000	DRYER TUBE	1	EA	
35	PW240003	DRIER ASSY VUWC140	1	EA	
36	010032-000	DISCHARGE TUBE	1	EA	
37	010033-000	BASEPLATE	1	EA	Not available online / Call for pricing and availability
38	PW300152	FAN MOTOR ASSY (VUIM150) 42244701	6	EA	
39	007640-000	PLASTIC WIRE CLIP	4	EA	Not available online / Call for pricing and availability



Appendix A:Pages Index

CABINET AREA	1
CONTROL AREA	2
GLASS FOL DOOR	3
INTERIOR SHELVING	4
LOWER UNIT AREA	5



Appendix B:Parts Index

005835-000	5	010245-000	1
007640-000	2, 5	010695-000	1
007641-000	1	010698-000	2, 4
009483-000	2	010702-000	1
009486-000	2	010731-000	3
009489-000	1	010735-000	3
009507-000	5	010737-000	3
009511-000	5	010741-000	3
009513-000	5	010744-000	3
009514-000	5	010746-000	3
009747-000	1	010769-000	4
009759-000	3	010770-000	4
009762-000	3	010771-000	4
009810-000	5	010772-000	1
009924-000	1, 1, 2	010773-000	4
010005-000	3	010774-000	1
010006-000	3	022346-000	4
010007-000	3	022494-000	1
010008-000	3	028470-000	1
010009-000	3	028581-000	2
010021-000	1	PS100007	1
010022-000	1	PS100019	1
010028-000	1	PS100020	5
010032-000	5	PS100021	5
010033-000	5	PS100023	5
010035-000	5	PW200007	1
010036-000	5	PW200017	5, 5, 5
010037-000	5	PW200018	5
010038-000	5	PW200019	1
010039-000	4, 5	PW200020	5
010040-000	5	PW200029	5
010216-000	3	PW200037	5, 5
010220-000	2	PW230119	3
010226-000	4	PW230122	3
010227-000	2	PW230123	3
010228-000	4	PW240003	5
010230-000	4	PW240004	5
010232-000	4	PW240041	5
010235-000	4	PW240045	1
010236-000	1, 1	PW300137	5
		PW300143	5



PW300152 5, 5, 5, 5, 5
PW300159 5
PW300274 5, 5