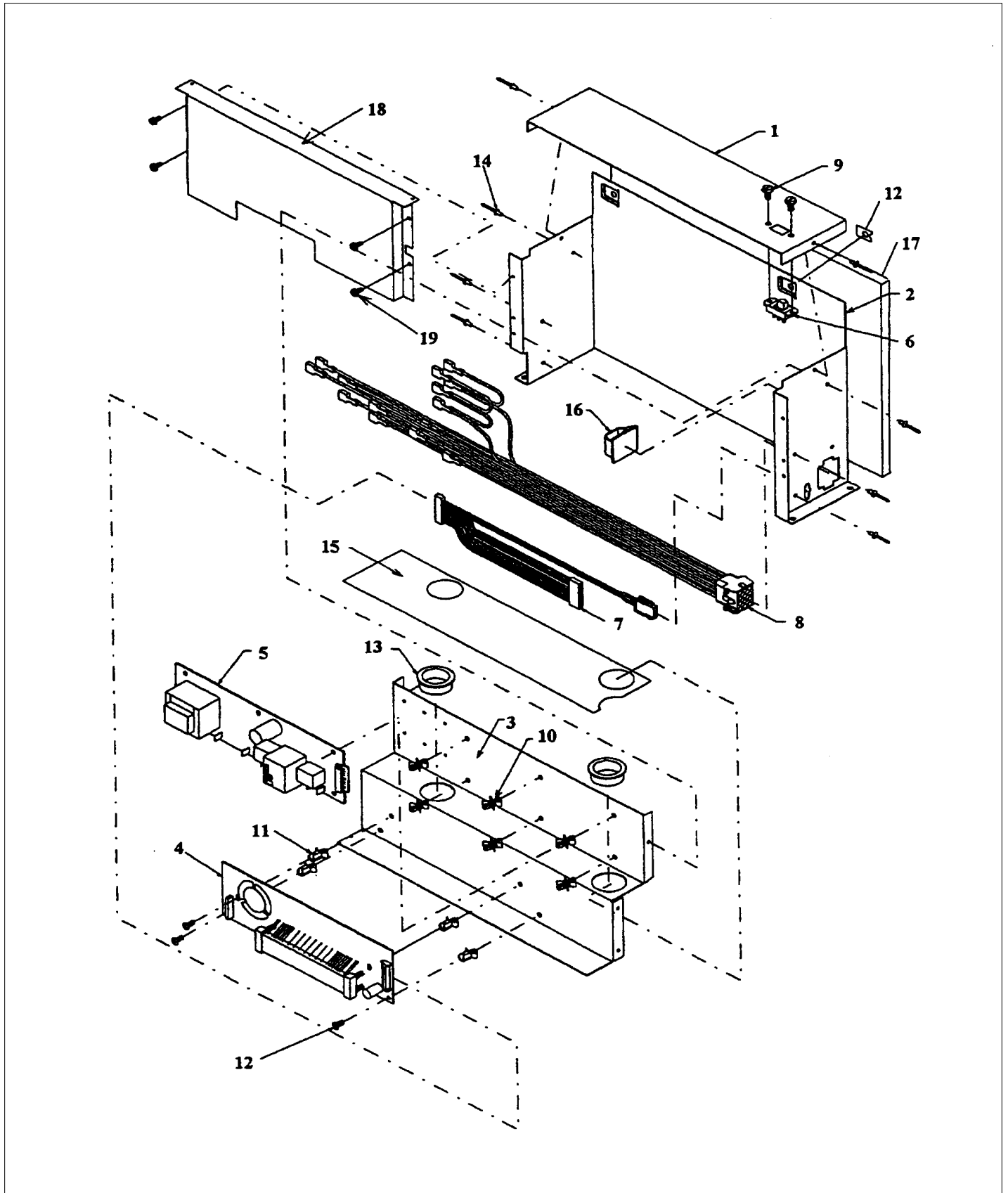


DFSB483D

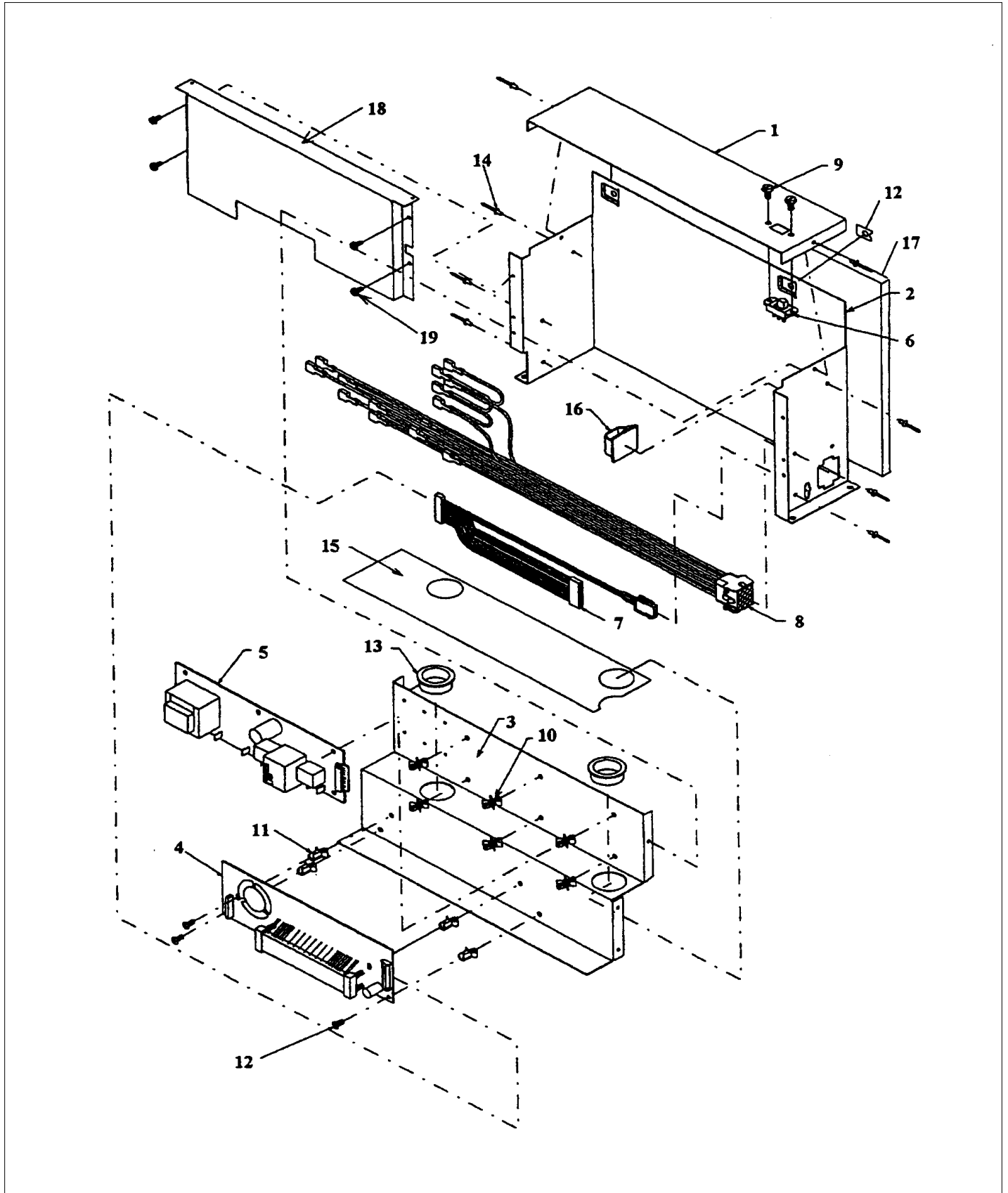
CONTROL ASSY	1
EVAP AREA ASSY	2
FLOW CHART DEFROST	3
FLOW CHART NO COMPRESSOR	4
FRZ DOOR ASSY	5
LADDERS - LIGHT SHIELDS	6
LOWER HINGES - ACCESSORIES	7
REF DOOR ASSY	8
ROLLERS - DRAIN PAN	9
SHELVING - CRISPER	10
TOP HINGES,CONDENSOR,COMPRESSOR	11
UPPER GRILLE AND KEYBOARD	12
Appendix A:Pages Index	A
Appendix B:Parts Index	B

CONTROL ASSY





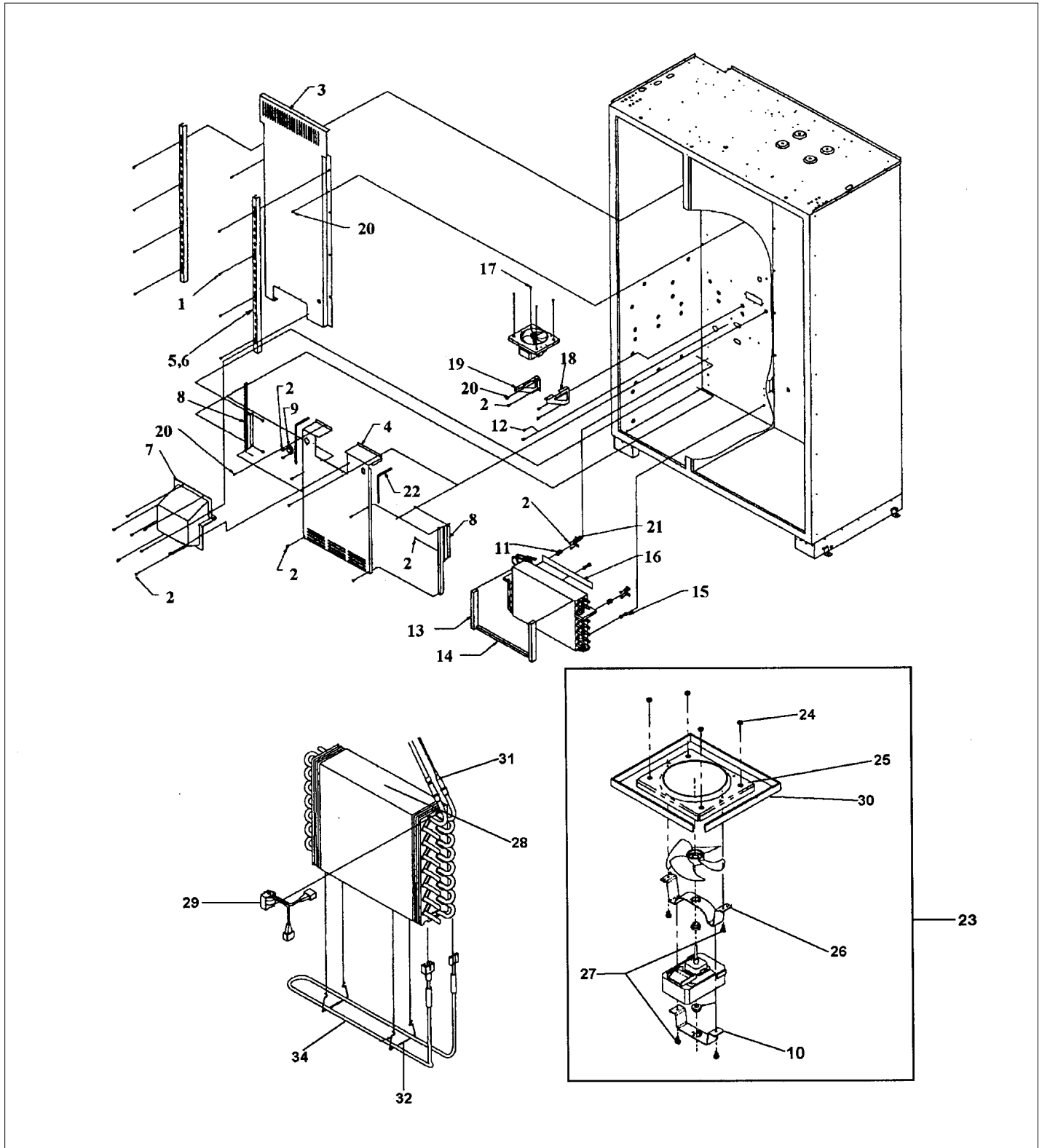
Item	Part No.	Name	Qty	Uom	NOTES
1	K2096429	SUB TO K2098657 - TOP-CONT BOX 12090801	1	EA	NO LONGER AVAILABLE
2	K2097709	BOX CONTROL	1	EA	NO LONGER AVAILABLE
3	K2096430	BRKT-PC 12090901	1	EA	NO LONGER AVAILABLE
4	002670-000	LOW VOLTAGE BOARD KIT W/HARNESS	1	EA	
Comments for Part Num. 002670-000					
boltz on Apr 12, 2018 See TR-0022-SP Bulletin					
5	005319-000	POWER CONTROL BOARD ASM 5 SERIES	1	EA	
Comments for Part Num. 005319-000					
boltz on Apr 12, 2018 See TR-0056-SP Bulletin					
6	10544502	SWITCH-SLIDE GRN	1	EA	
7	PE970464	HARNESS LOW VOLT 5 SERIES	1	EA	
8	PE970465	HARNESS HIGH VOLT	1	EA	
9	M0223816	SCREW-TR	1	EA	NO LONGER AVAILABLE
10	M0585504	SUPPORT	1	EA	
11	M0585506	SUPPORT	1	EA	
12	PD020013	TYPE "AB" #6 X 3/8 PH PAN HD. SMS	1	EA	
13	A4554817	BUSHING-SNAP VA4554817	1	EA	
14	A4539601	DAMPER-TUBING .8	1	EA	Not available online / Call for pricing and availability
15	12117201	FILM-PROTECTIVE	1	EA	NO LONGER AVAILABLE, Not available online / Call for pricing and availability
16	M0104106	CLIP-CORD VM0104106	1	EA	





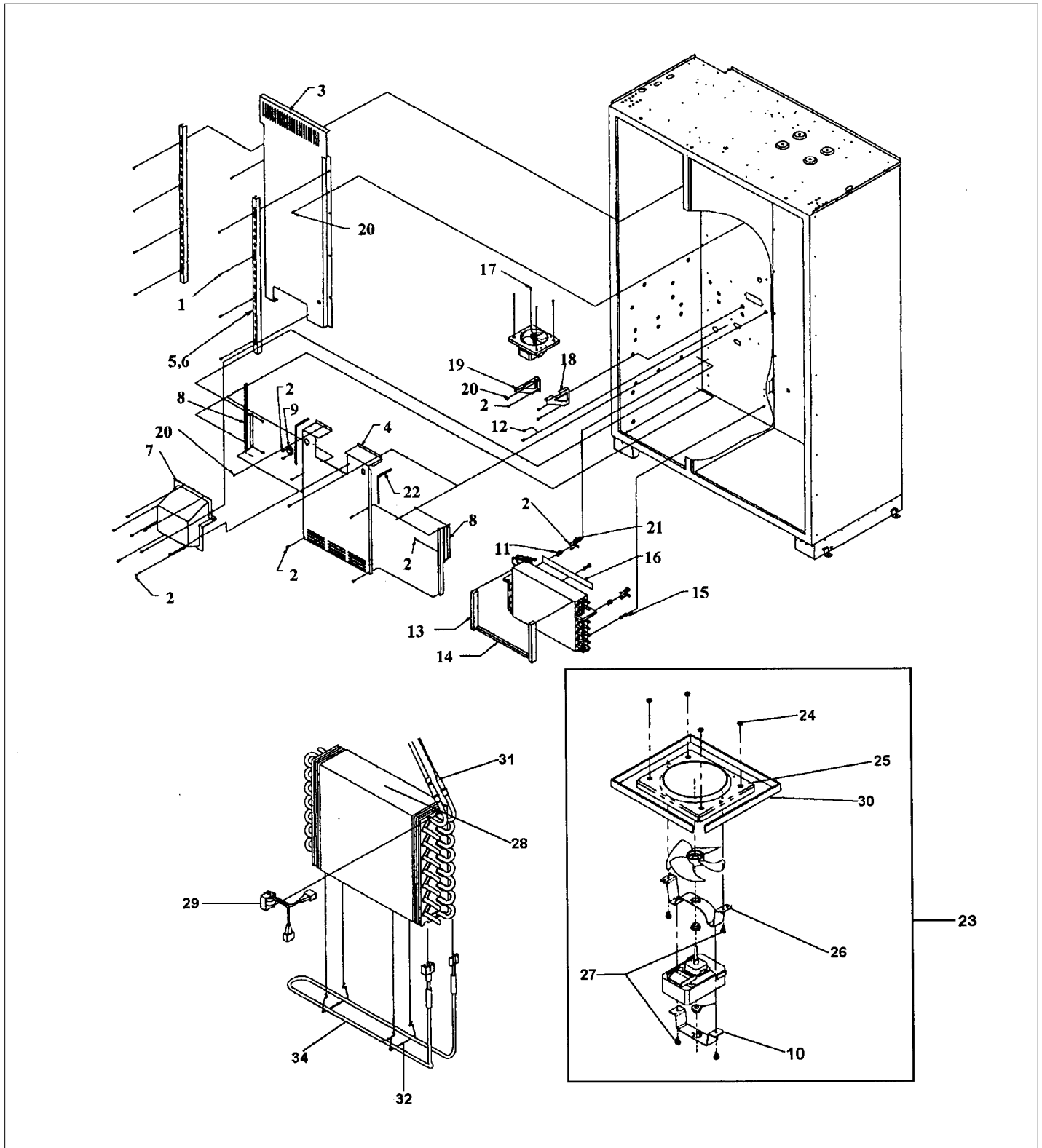
Item	Part No.	Name	Qty	Uom	NOTES
17	12074703	INSUL-CONT BOX V12074703	1	EA	NO LONGER AVAILABLE, Not available online / Call for pricing and availability
18	K2096431	FRONT-CONT PANEL 12091001	1	EA	
19	M0238616	SCREW, SMALL	1	EA	
20	M0288120	NUT-SPEED VM0288120	1	EA	
NI	PE970330	Adapter Board	1	EA	
NI	PE970331	Harness, Adapter Board	1	EA	

EVAP AREA ASSY





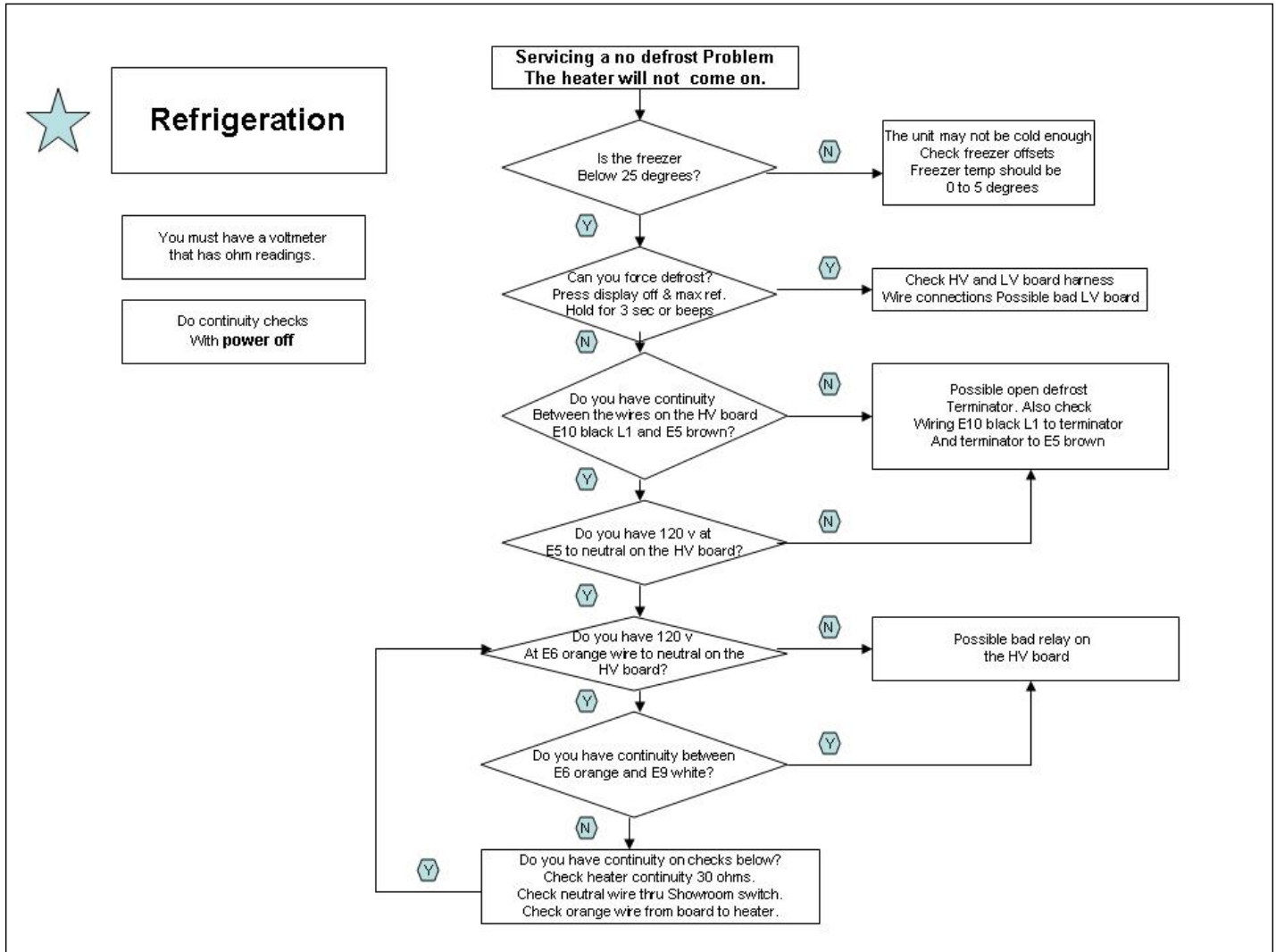
Item	Part No.	Name	Qty	Uom	NOTES
1	M0232903	SCREW-SE	1	EA	NO LONGER AVAILABLE
2	M0238616	SCREW, SMALL	1	EA	
3	L2097181	COVER EVAP UPPER SXS 48	1	EA	
4	L2097182	COVER EVAP LOWER SXS 48	1	EA	
5	12231701	LADDER-FZ L/R SIDE 42/48	1	EA	
6	12233801	GASKET-FZ LADDER	1	EA	NO LONGER AVAILABLE, Not available online / Call for pricing and availability
7	PK930150	COVER CTR EVAP SXS	1	EA	
8	K2096461	BRKT-EVAP COVER 12234801	1	EA	
9	C8983701	THERMISTOR	1	EA	
10	L2196411	BRACKET, EVAPORATOR FAN	1	EA	Not available online / Call for pricing and availability
11	10623003	CLIP-EVAP	1	EA	
12	M0232903	SCREW-SE	1	EA	NO LONGER AVAILABLE
13	A3030361	GASKET RED	1	EA	
14	A3030303	GASKET	1	EA	
15	10527401	CLIP-EVAP	1	EA	
16	A3189370	GASKET-FOAM VA3189370	1	EA	
17	M0238859	SCREW-SHLDR	1	EA	
18	K2096457	BRKT-R-EVAP FAN 12223101	1	EA	
19	K2096458	BRKT-L-EVAP-FAN 12223102	1	EA	
20	M0232929	SCREW-SE	1	EA	
21	K2096456	BRKT-EVAP CLIP 12215101	1	EA	
22	A3189368	GASKET-FOAM VA3189368	1	EA	
23	G5098660	FAN EVAP ASM PANASONIC	1	EA	
24	12234001	GROMMET-VIBRATION	1	EA	
25	PM910169	SHROUD EVAP FAN	1	EA	
26	K2196412	BRKT-MTR/SHROUD 10771801	1	EA	NO LONGER AVAILABLE, Not available online / Call for pricing and availability



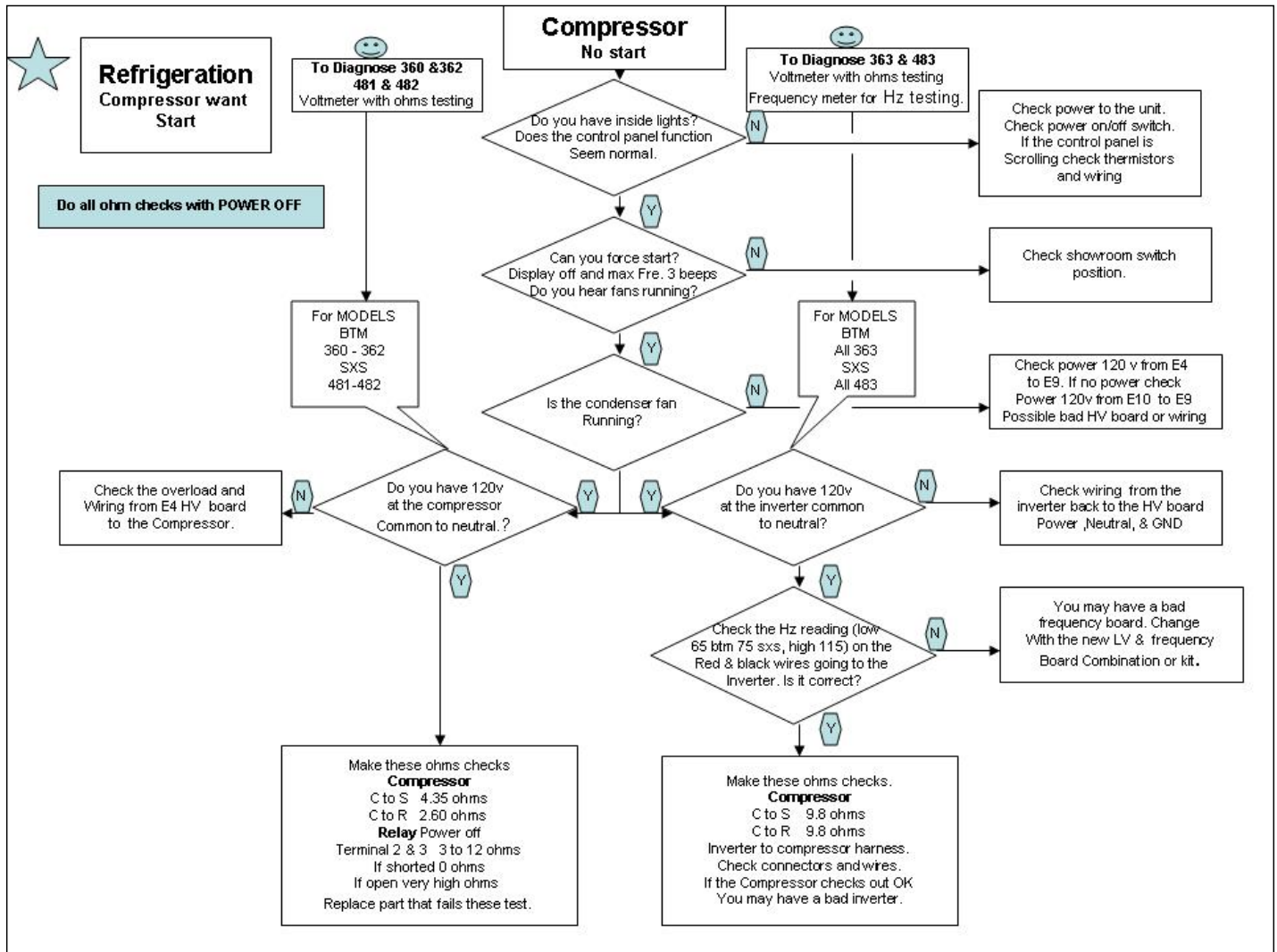


Item	Part No.	Name	Qty	Uom	NOTES
27	M0224416	SCREW-SM	1	EA	
28	PM910206	EVAPORATOR SXS 48	1	EA	
29	058966-000	THERMOSTAT, SNAP ACTION, 55 OPEN 20 CLOSE	1	EA	
30	A3030302	GASKET GRN SL	1	EA	
31	PB920155	HEAT EXCHANGER ASM SXS 48	1	EA	
32	10428101	CLIP-EVAP HTR V10428101	1	EA	
33	A1017202	GROMMET-FAN VA1017202	1	EA	
34	PJ910031	HEATER EVAP SXS	1	EA	

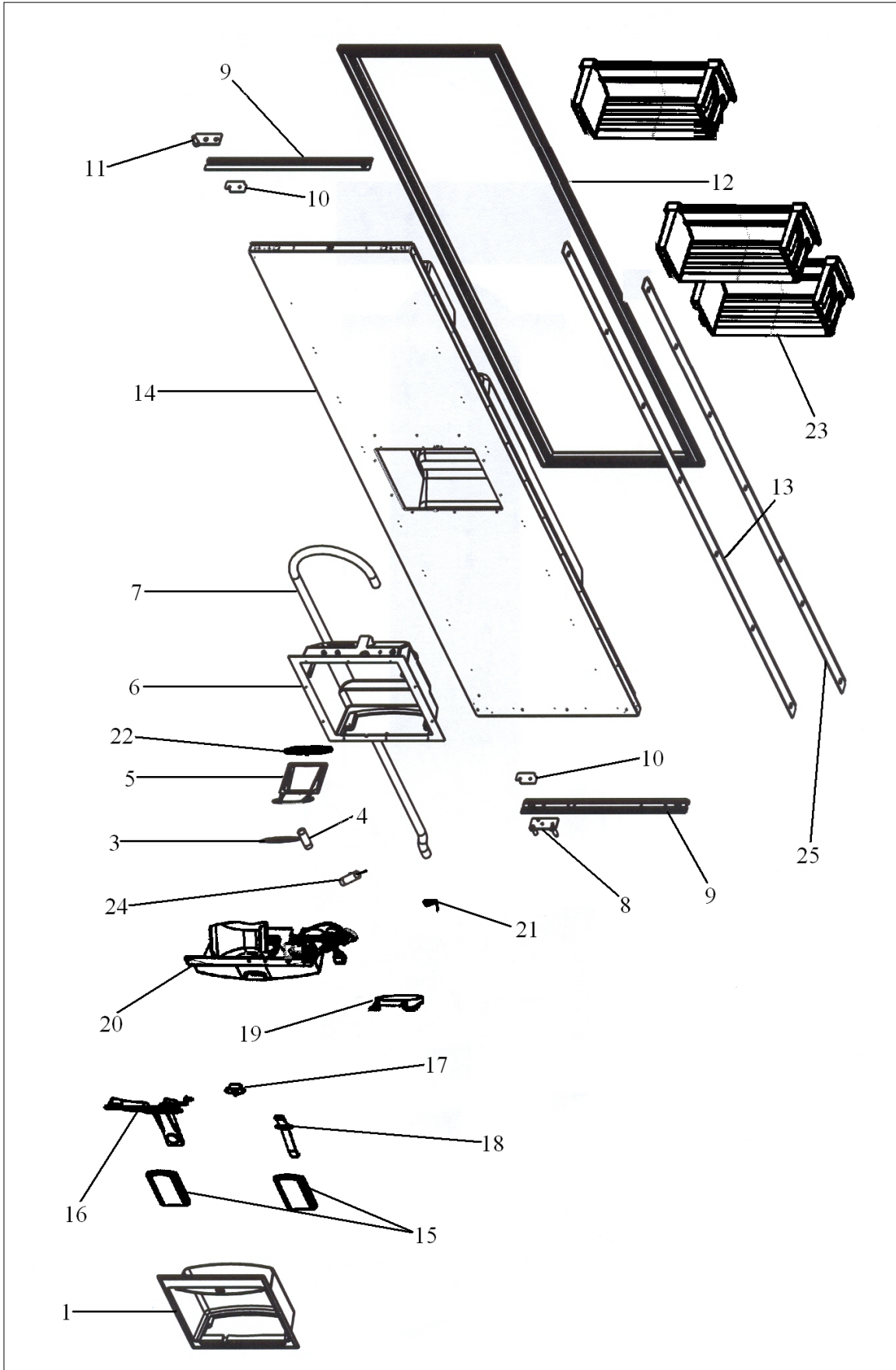
FLOW CHART DEFROST



FLOW CHART NO COMPRESSOR

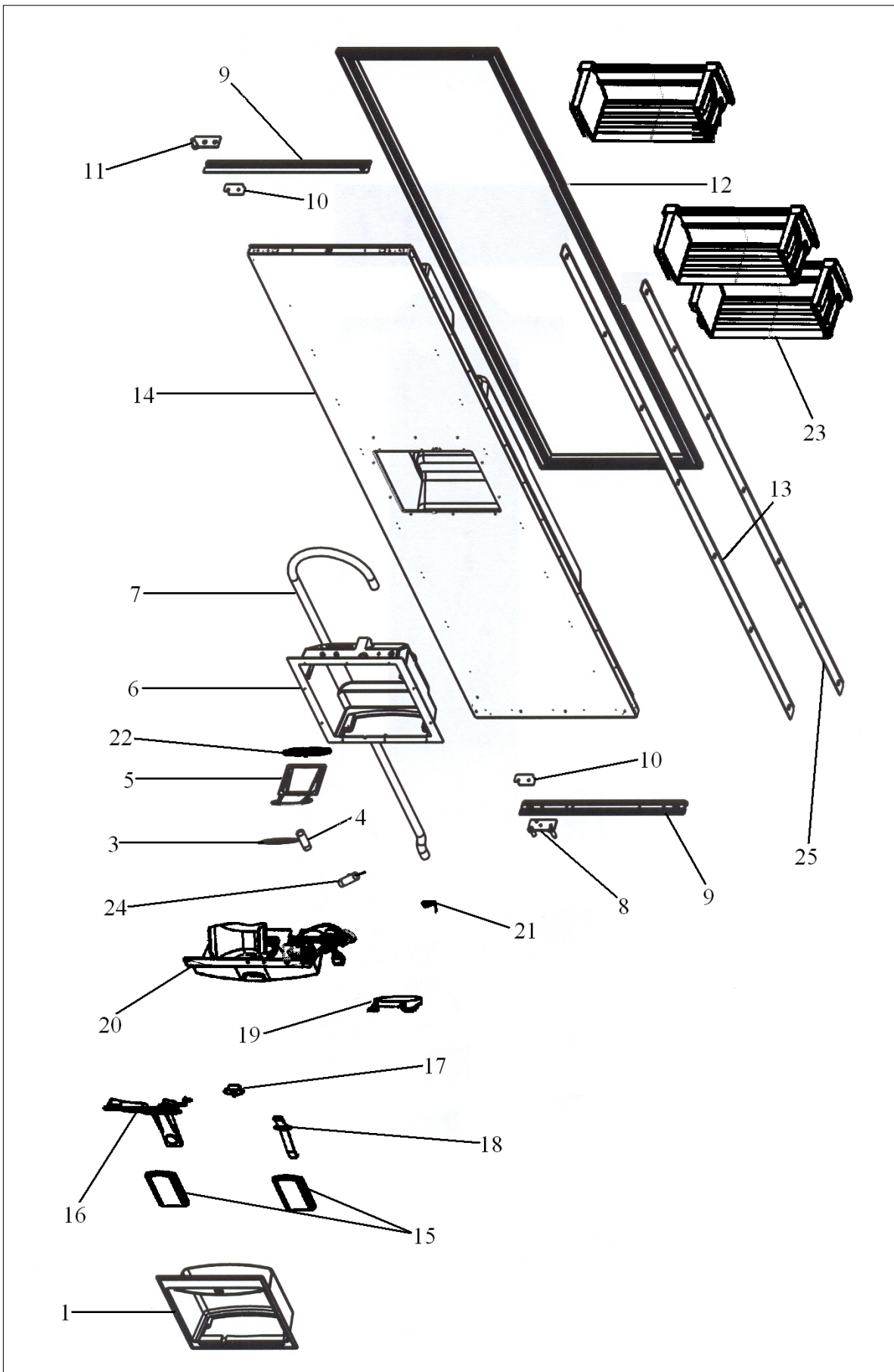


FRZ DOOR ASSY





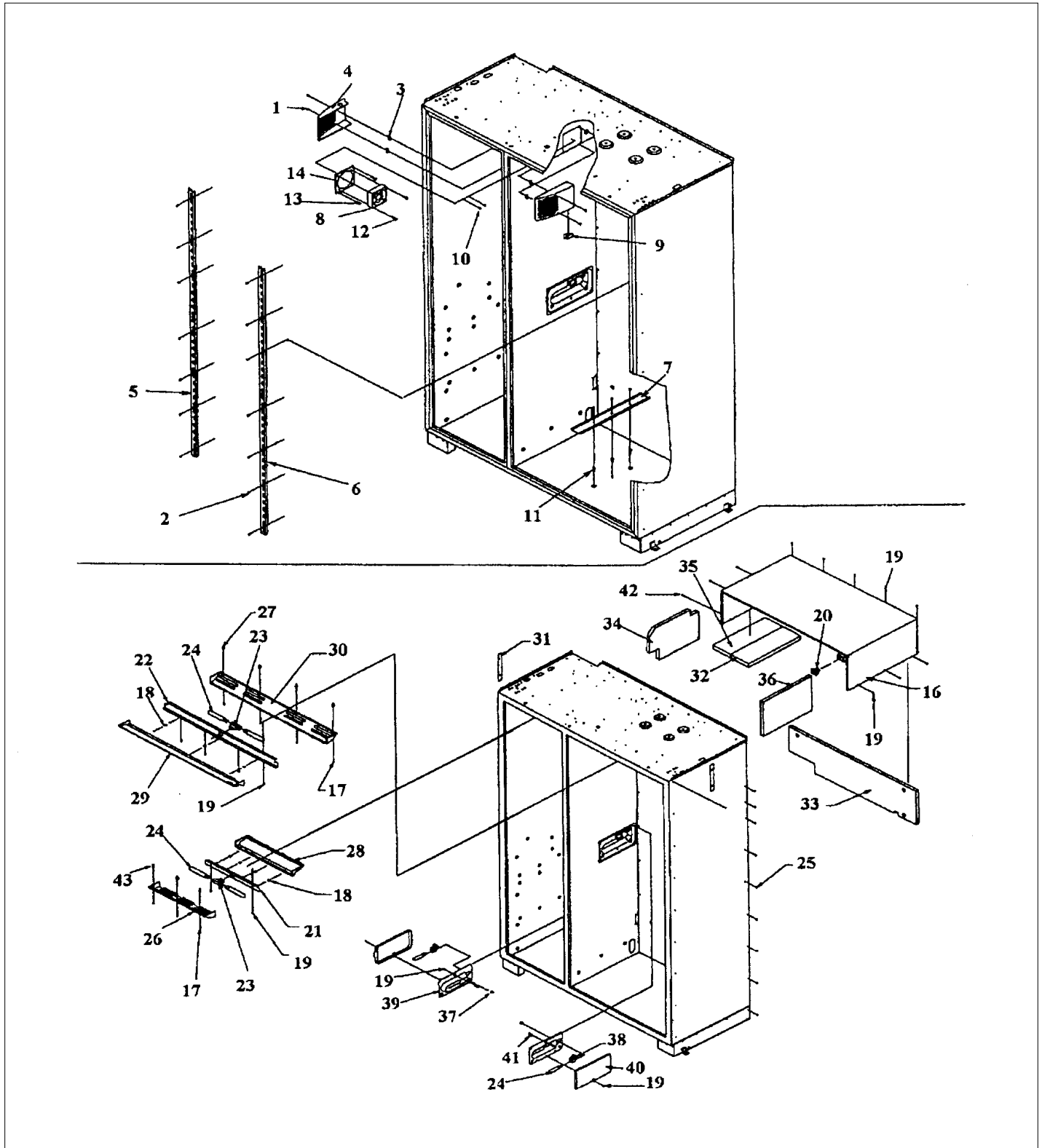
Item	Part No.	Name	Qty	Uom	NOTES
1	PB910228	BEZEL I/W DISPENSER FULL OVERLAY	1	EA	
2	PB980023	SPILL TRAY - I/W DISPENSER	1	EA	
3	PK930401	DEFLECTOR-ICE	1	EA	
4	PK930274	TUBE CONNECTOR	1	EA	
5	12348201	Ice Chute	1	EA	
6	PK930403	CAVITY DISPENSER	1	EA	
7	PK930273	TUBE WIRE	1	EA	NOT FIELD REPLACEABLE
8	PC920045	PIVOT PL ASSY, LH LW	1	EA	
9	K2096651	BRKT-DEC PANEL	1	EA	
10	M6096628	SPCR HINGE REP V12530201/V12493901	1	EA	
11	PC920049	PIVOT PL ASSY, LH UP DFBB/DFSB	1	EA	
12	PB070295	DOOR GASKET, 48 SXS FZ SIDE CHARGE	1	EA	
13	PE940176	Door Trim - Side	1	EA	
14	G3297574	FREEZER DOOR ASSEMBLY	1	EA	NO LONGER AVAILABLE
15	V12221005	PAD - E ACTUATOR (BLK)	1	Wholesale Price	
16	PK930383	Arm, Ice Dispenser	1	EA	
17	PE950152	SWITCH SLIDE	1	EA	
18	PK930404	ARM WATER ACTUATOR	1	EA	
19	PK930381	DOOR DISPENSER	1	EA	
20	PE070866	DISPENSER CAVITY ASSEMBLY	1	EA	
Comments for Part Num. PE070866					
bradleysapplianceservice@shaw.ca on Apr 30, 2018					
SUBS TO: PE070866 DISPENSER CAVITY ASSY					
Not Shown	NOTE	Includes Switches		EA	
21	PC910017	SPRING DISP DOOR	1	EA	
22	12193801	GASKET - ICE DR	1	EA	
23	036888-000	DOORBIN ASM SXS FZ	1	EA	





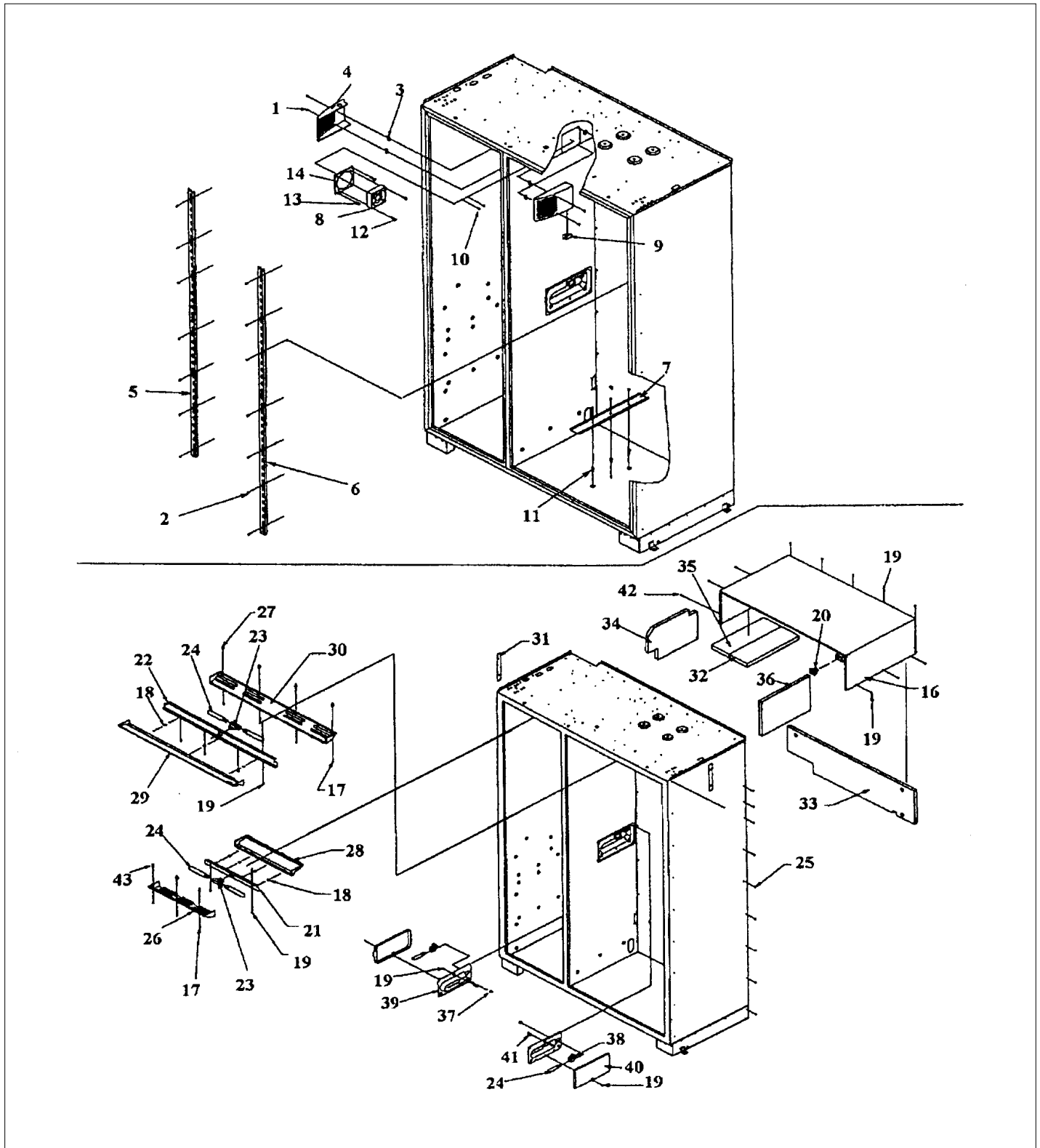
Item	Part No.	Name	Qty	Uom	NOTES
24	C8973603	Door Delay	1	EA	
25	K2096650	BRKT-DEC PANEL	1	EA	
NI	PB910260	INSERT FACADE	1	EA	
NI	013685-000	SLIDE SWITCH CAP (GRAY)	1	EA	
NI	PE970484	HEATER CAVITY	1	EA	
NI	PE970428	HARNESS - FZ DR	1	EA	
NI	G50911859	Dispenser Line Sleeve Protector Kit	1	EA	

LADDERS - LIGHT SHIELDS

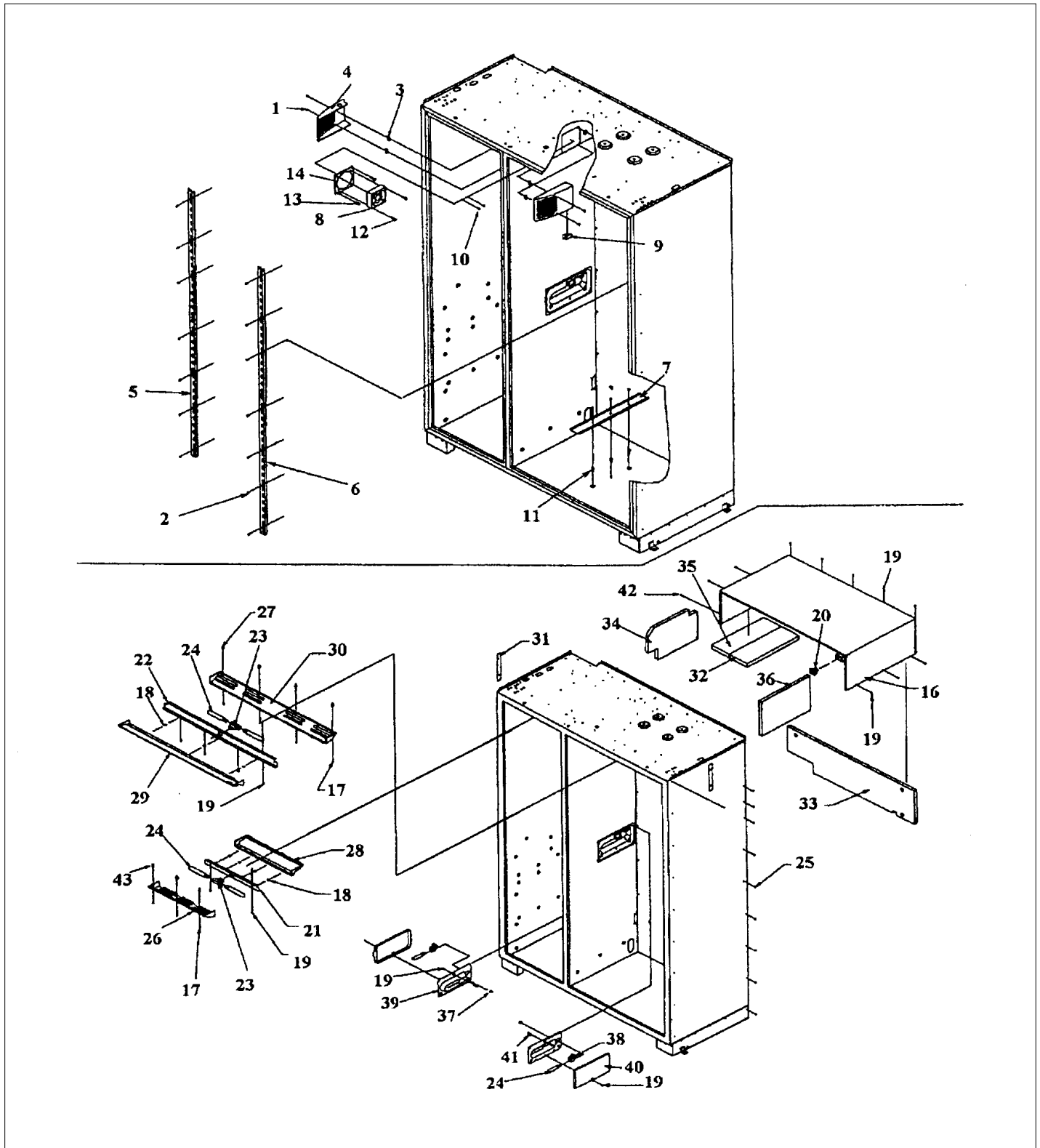




Item	Part No.	Name	Qty	Uom	NOTES
1	M0221913	SCREW-SM	1	EA	
2	M0238535	SCREW-SM	1	EA	
3	M0288120	NUT-SPEED VM0288120	1	EA	
4	PK930085	COVER FAN SXS 48 FF	1	EA	
Not Shown	PK930086	COVER FAN SXS 48 FZ	1	EA	
5	PK920023	LADDER FF L	1	EA	NO LONGER AVAILABLE, Not available online / Call for pricing and availability
6	PK920024	LADDER FF R	1	EA	
7	12118901	TRACK-DELI DRAWER	1	EA	
8	004551-000	AXIAL FAN	1	EA	
Comments for Part Num. 004551-000					
gboltz@VikingRange.com on Jul 21, 2016					
View service bulletin TR-0052-SP before ordering fan, if applicable order kit instead of fan					
9	C8983701	THERMISTOR	1	EA	
10	M0232903	SCREW-SE	1	EA	NO LONGER AVAILABLE
11	M0581001	GROMMET-SCREW VM0581001	1	EA	
12	M0218136	SCREW-SM	1	EA	NO LONGER AVAILABLE, Not available online / Call for pricing and availability
13	M0218137	SCREW-SM	1	EA	
14	K2096475	FAN MOUNTING PLATE	1	EA	
15	12102501	RET-HARNESS	1	EA	
NI	M0321202	TIE-ELEC	1	EA	
16	G3096496	MC COVER WELD 12213401	1	EA	NO LONGER AVAILABLE
17	M0238846	SCREW-SHLDR	1	EA	
18	M0108201	CLIP-S	1	EA	NO LONGER AVAILABLE
19	M0238616	SCREW, SMALL	1	EA	
20	PE950149	SWITCH POWER	1	EA	



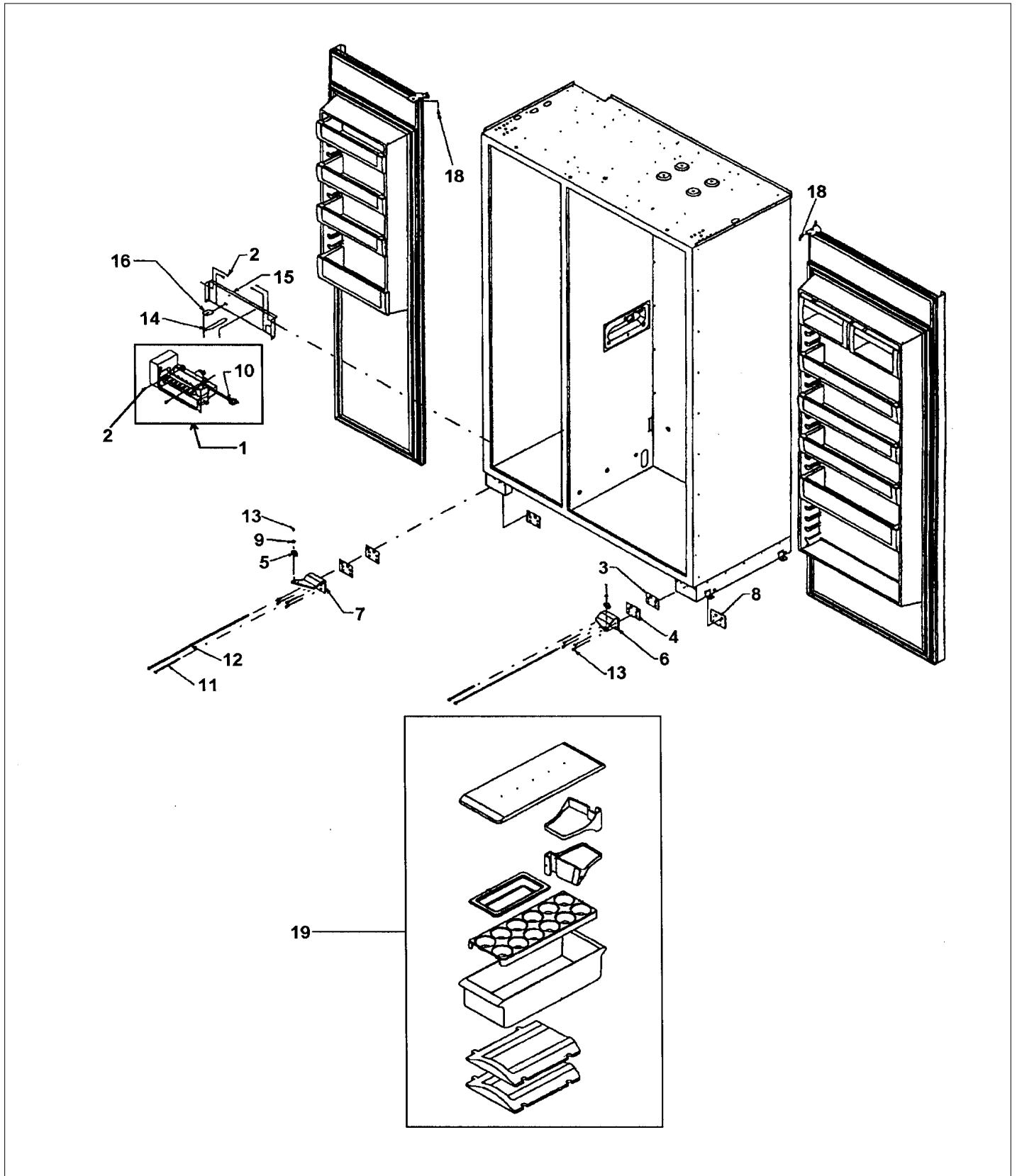
Item	Part No.	Name	Qty	Uom	NOTES
21	L2096422	BRKT-FZ LIGHT 12055701	1	EA	NO LONGER AVAILABLE
22	L2096443	BRKT-REF LIGHT 12184301	1	EA	NO LONGER AVAILABLE
23	12096901	SOCKET-LIGHT	1	EA	NO LONGER AVAILABLE
24	004528-000	LAMP, 40 WATT CLEAR LIGHT	1	EA	
25	M0220417	SCREW-TC	1	EA	
26	PK930077	LENS LIGHT SXS 48 FZ	1	EA	NO LONGER AVAILABLE
27	M0581001	GROMMET-SCREW VM0581001	1	EA	
28	PK930078	COVER LIGHT SXS 48 FZ	1	EA	NO LONGER AVAILABLE
29	12184401	COVER, REFRIGERATOR LIGHT - NLA	1	EA	
30	12184501	LENS, REFRIGERATOR LIGHT	1	EA	Not available online / Call for pricing and availability
31	12135402	SHIM-CAB TRIM	1	EA	
NI	C3680309	FAN SWITCH (E3101AA)	1	EA	
32	12074701	INSUL-MC CVR V12074701	1	EA	
33	12184901	INSUL-BACK MC CVR	1	EA	Not available online / Call for pricing and availability
34	12074601	INSUL-L MC CVR V12074601	1	EA	
35	12074704	INSUL-MC CVR	1	EA	
36	12074702	INSUL-R MC CVR V12074702	1	EA	
37	B5733302	CLIP-GROUND	1	EA	
38	10281601	SOCKET-SGL LIGHT	1	EA	
39	10270203	HOUSING-LIGHT V10270203	1	EA	
40	10270101	COVER, LIGHT	1	EA	
41	M0580007	GROMMET-SCREW	1	EA	
42	A4539601	DAMPER-TUBING .8	1	EA	Not available online / Call for pricing and availability
NI	PM910069	CABINET TRIM - R	1	EA	



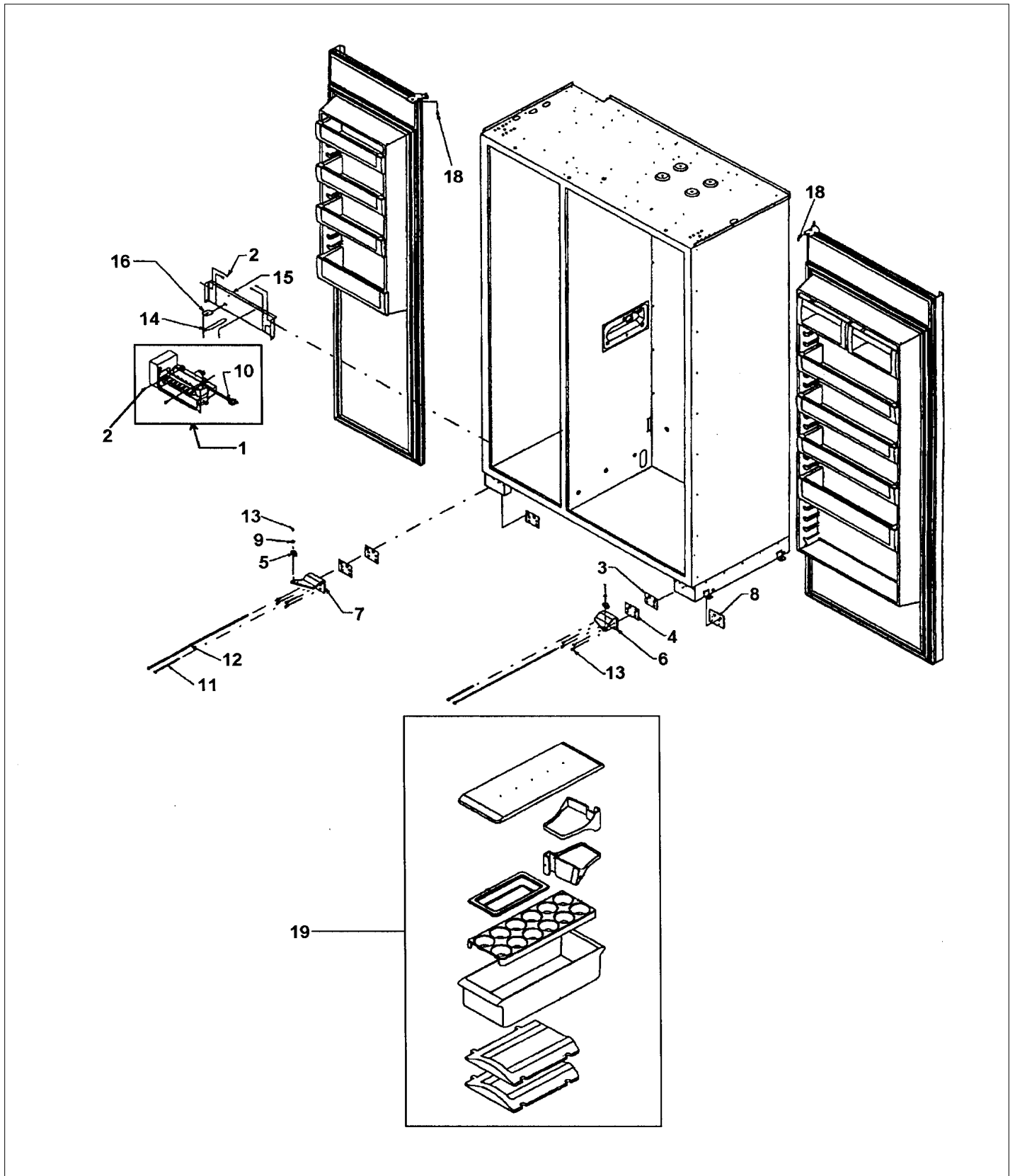


Item	Part No.	Name	Qty	Uom	NOTES
NI	PM910070	SUB TO PK920066 - TRIM CABINET L	1	EA	NO LONGER AVAILABLE

LOWER HINGES - ACCESSORIES



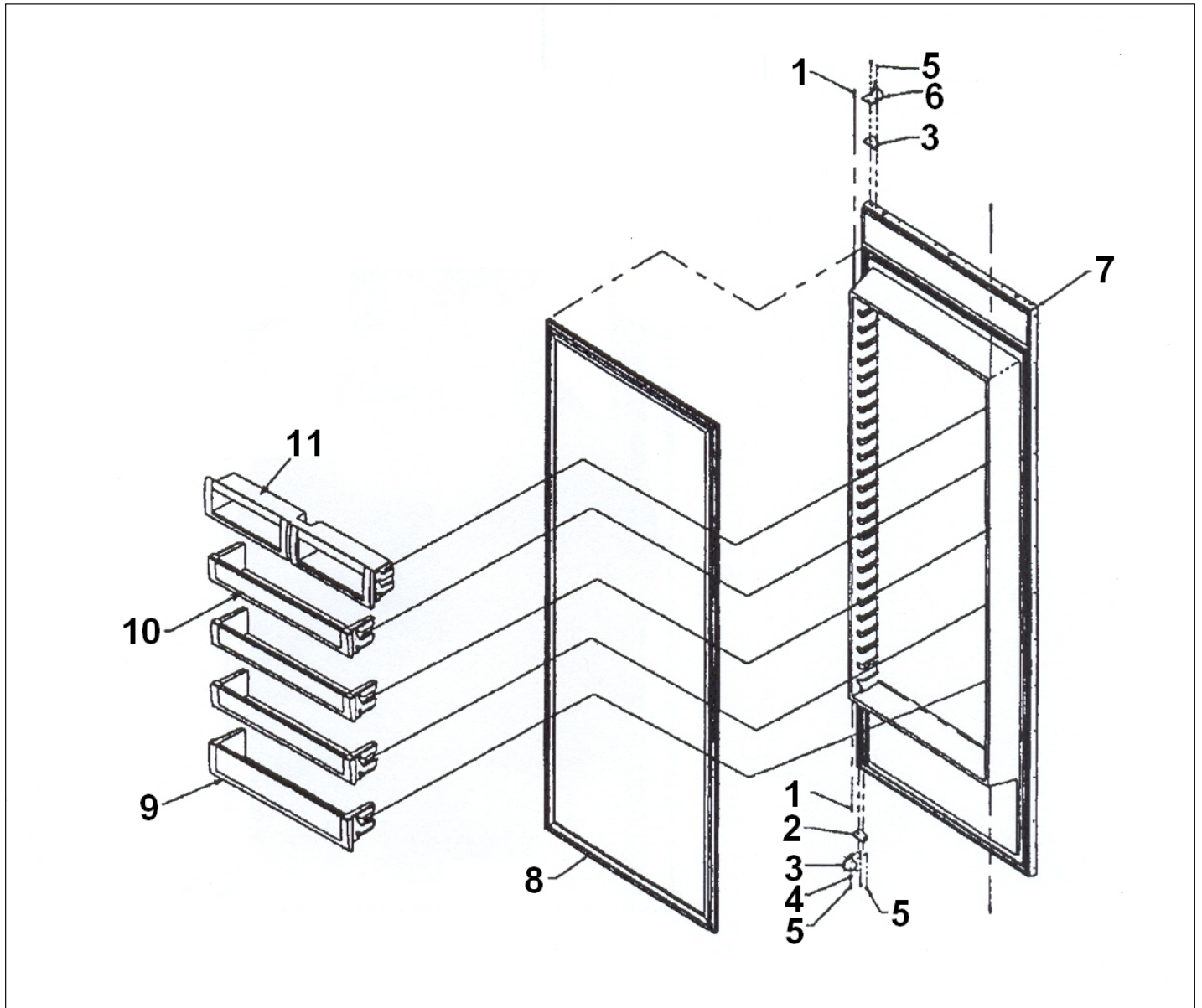
Item	Part No.	Name	Qty	Uom	NOTES
1	PM910386	COMPLETE ICE MAKER ASSEMBLY, NLA, Order Components, see TR-0023B-SP parts bulletin	1	EA	Not available online / Call for pricing and availability
Comments for Part Num. PM910386 bradleysapplianceservice@shaw.ca on Jan 11, 2018 See Service Bulletin: TR-0023C-SP 002251-000 BAIL ARM 002252-000 ICE MAKER 002253-000 WIRE HARNESS					
2	M0238616	SCREW, SMALL	1	EA	
3	K2096449	SHIM-LOWER HINGE 12198501	1	EA	
4	K2096450	SHIM-LOWER HINGE 12198502	1	EA	
5	PC020296	CAM DOOR CLOSURE TOP BLACK	1	EA	
6	PC920032	LOWER HINGE ASSY, RH, DFSB	1	EA	
7	PC920033	LOWER HINGE ASSY, LH, DFSB	1	EA	
8	PK900026	PLATE-BOTTOM HINGE SUPPORT SXS	1	EA	
9	M0272803	WASHER-LOCK	1	EA	
10	M0321202	TIE-ELEC	1	EA	
11	M0204339	SCREW-ADJ ROLLER VM0204339	1	EA	
12	10093305	SCREW-ADJ ROLLER V10093305	1	EA	
13	M0202528	SCREW-MACH #	1	EA	
14	A3127415	EXT-FILL TUBE	1	EA	
15	C9096463WH	ND IM SUPPORT -	1	EA	
16	K2096464	BKT-ND IM 12265501	1	EA	
17	M0238734	SCREW-TF	1	EA	NO LONGER AVAILABLE
18	M0220928	SCREW, SHOULDER	1	EA	
NI	10526701	CLAMP-WIRE V10526701	1	EA	
NI	G50910009	GRILLE TOE ASM COMPLETE 48 DISP	1	EA	





Item	Part No.	Name	Qty	Uom	NOTES
NI	M0270510	WASHER #	1	EA	
19	019244-000	ACCESSORY, ASM	1	EA	
NI	PC920043	PIVOT PL ASSY, RH LW DFBB	1	EA	
NI	PC920045	PIVOT PL ASSY, LH LW	1	EA	
NI	K1096533	SHIM-HINGE HALF	1	EA	
NI	12135402	SHIM-CAB TRIM	1	EA	
NI	PM910465	WATER FILTER	1	EA	
Not Shown	NOTE	MUST HAVE INSTALLED G50911813 KIT BEFORE		EA	
Not Shown	NOTE	PM910465 CAN BE USED ON UNITS MADE BEFORE 7/19/04.		EA	

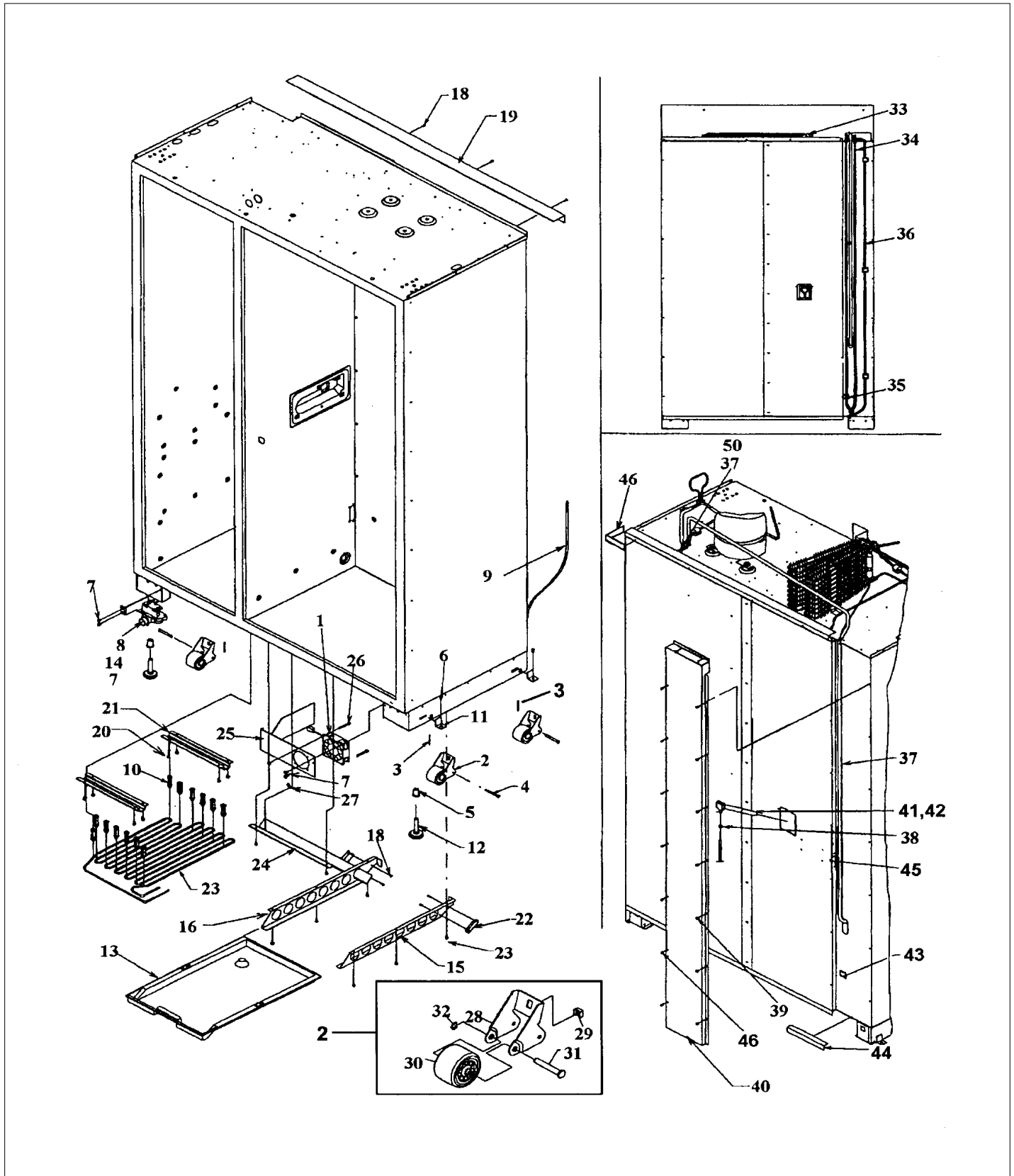
REF DOOR ASSY





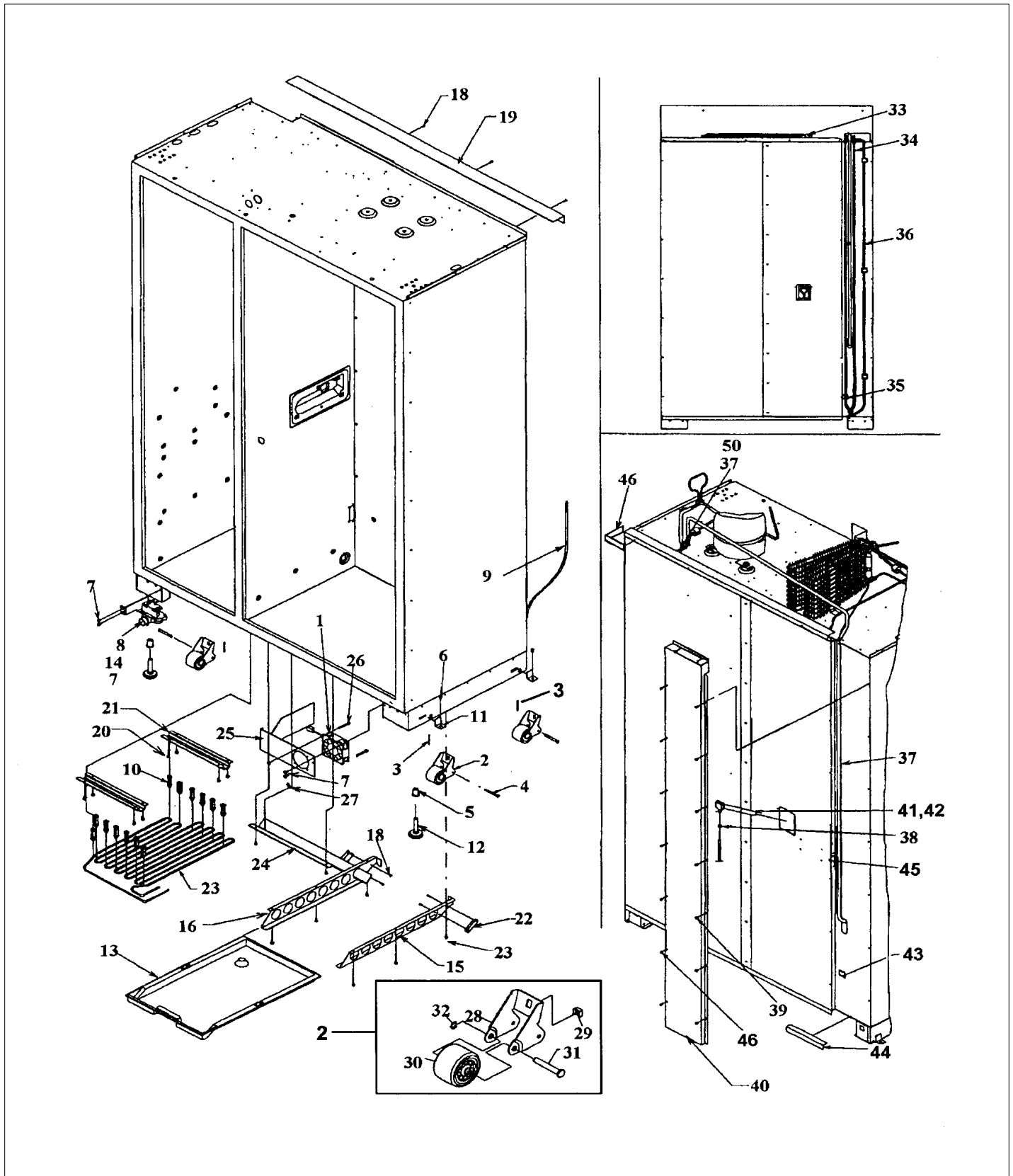
Item	Part No.	Name	Qty	Uom	NOTES
1	12128001	PLUG-INNER DOOR	1	EA	
2	M0202528	SCREW-MACH #	1	EA	
3	PC020231	CAM DOOR CLOSURE TOP WHITE	1	EA	
4	M0272803	WASHER-LOCK	1	EA	
5	M0226233	SUB TO PD920174 - 10 X 7/8 PHILLIPS SMA TRI LOBE SA	1	EA	
6	PC920047	PIVOT PL ASSY, RH UP	1	EA	
7	G5097702	DOOR FOAM ASM SXS 48 FF - NLA	1	EA	
8	PB070296	DOOR GASKET, 48 SXS FF SIDE CHARGE	1	EA	
9	036886-000	DOORBIN ASM SXS 48 FF	1	EA	
10	G5099989	48" FF METAL SHELF KIT	1	EA	
11	V12203602	DAIRY MODULE ASSY #	1	EA	
NI	G5097702	DOOR FOAM ASM SXS 48 FF - NLA	1	EA	

ROLLERS - DRAIN PAN

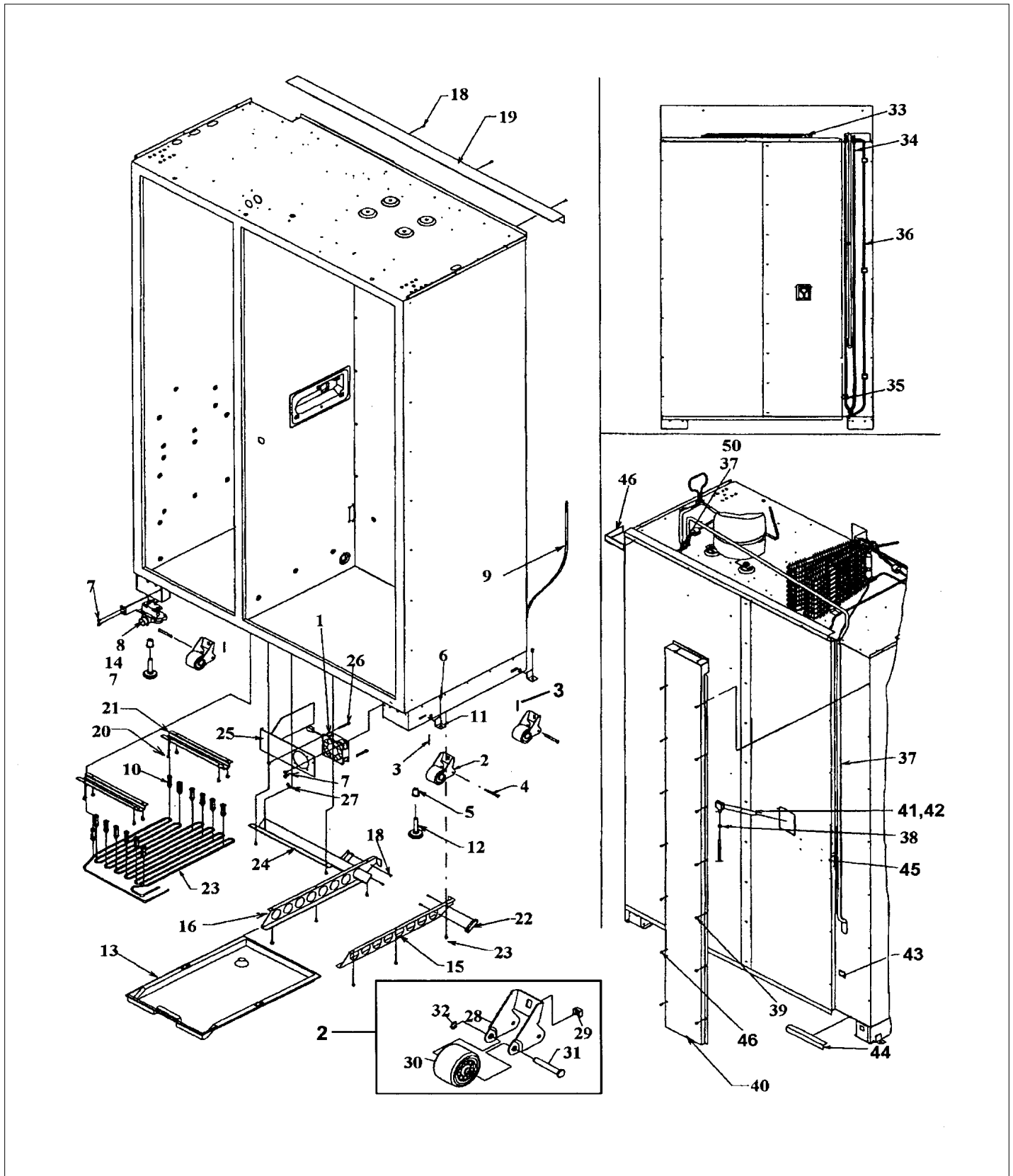




Item	Part No.	Name	Qty	Uom	NOTES
1	004551-000	AXIAL FAN	1	EA	
Comments for Part Num. 004551-000					
gboltz@VikingRange.com on Jul 21, 2016					
View service bulletin TR-0052-SP before ordering fan, if applicable order kit instead of fan					
2	G5096490	SUB TO G5096596	1	EA	NO LONGER AVAILABLE
3	M1200004	PIN-COTTER	1	EA	
4	M1200203	PIN-CLEVIS	1	EA	
5	M0295308	NUT-RIVET VM0295308	1	EA	
6	M0267153	SCREW-MACH VM0267153	1	EA	NO LONGER AVAILABLE, Not available online / Call for pricing and availability
7	M0220417	SCREW-TC	1	EA	
8	PA070014	WATER VALVE	1	EA	
Not Shown	NOTE	(After 05/25/05)		EA	
Not Shown	G50911843	WATER VALVE KIT	1	EA	
Not Shown	NOTE	(Before 05/25/05)		EA	
9	PB020302	PLASTIC TUBING-DOOR WATERLINE SXS DISP	1	EA	
10	12071201	CLIP-DRAIN LOOP	1	EA	
11	K2096427	BRKT-SHIPPING 12071102	1	EA	
12	12150601	FOOT-LEVELING V12150601	1	EA	
13	12071301	PAN, DRAIN	1	EA	
Not Shown	NOTE	(Before 02/07/05)		EA	
Not Shown	PK930348	PAN DRAIN	1	EA	
Not Shown	NOTE	(After 02/07/05)		EA	
14	M0753001	NUT-SLEEVE	1	EA	
15	K2096459	RAIL-PAN 12234701	1	EA	
16	K2096460	RAIL-PAN 12234702	1	EA	



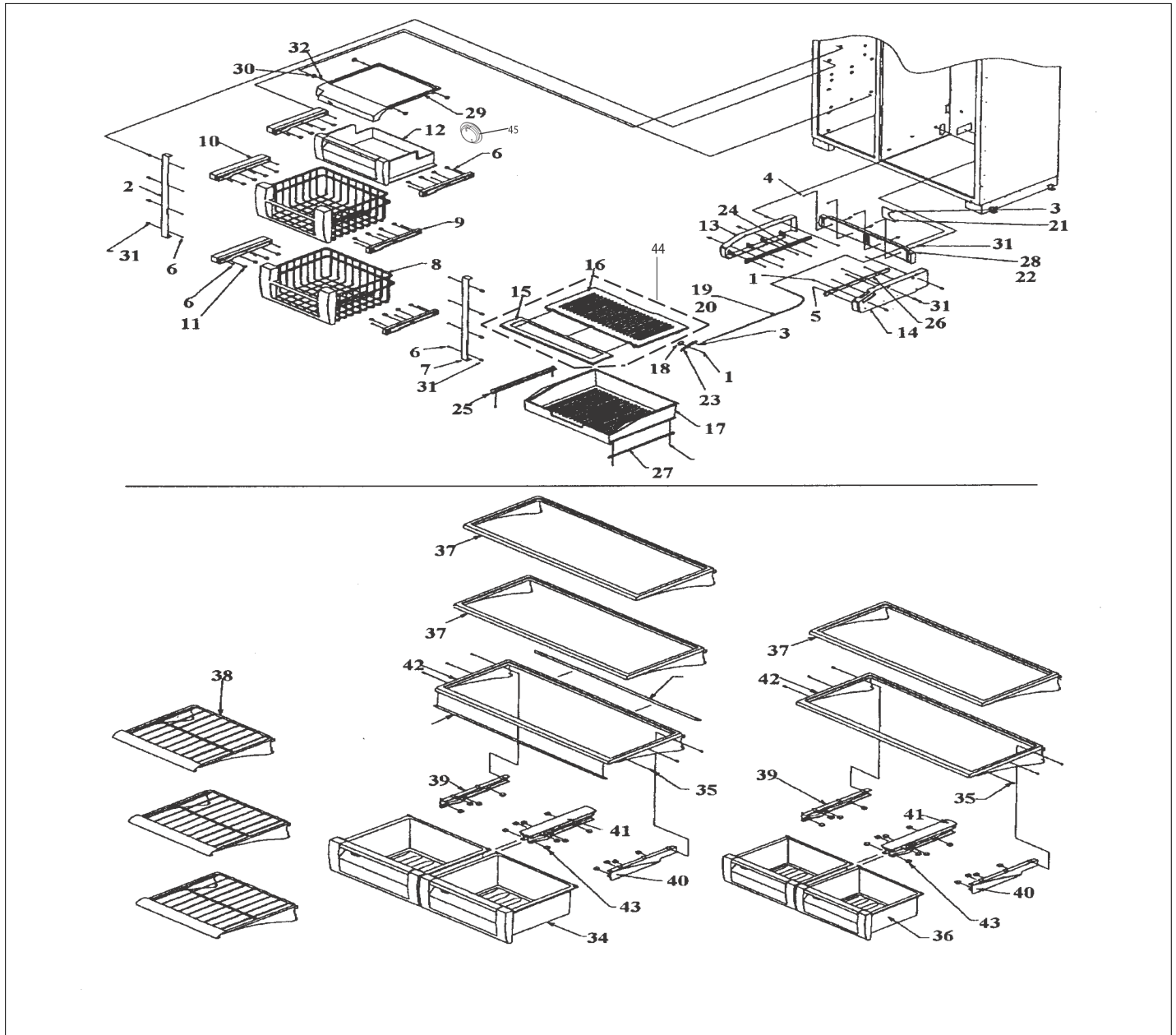
Item	Part No.	Name	Qty	Uom	NOTES
17	A1055101	SPRING-ANTI KINK	1	EA	NO LONGER AVAILABLE
18	A4539601	DAMPER-TUBING .8	1	EA	Not available online / Call for pricing and availability
19	K2096442	SHIELD-POWER CORD 12180503	1	EA	NO LONGER AVAILABLE, Not available online / Call for pricing and availability
20	M0224416	SCREW-SM	1	EA	
21	K2096455	BRKT-SERP. CLIP 12215001	1	EA	NO LONGER AVAILABLE
22	K2096439	ANGLE-DRAIN PAN 12143801	1	EA	
23	F2096550	SERPENTINE DRAIN SXS	1	EA	
24	L2096474	TROUGH-DRAIN REP V12349801	1	EA	
25	K2096473	BRKT-DC FAN 12349201	1	EA	
26	M0220417	SCREW-TC	1	EA	
27	M0280801	NUT-HEX VM0280801	1	EA	Not available online / Call for pricing and availability
28	K2196420	BRACKET, ROLLER	1	EA	Not available online / Call for pricing and availability
29	M0286708	NUT-SPEED	1	EA	
30	12034201	ROLLER-CABINET	1	EA	
31	M1252901	CLEVIS GROOVED	1	EA	
32	M0273801	RING-RETAINING	1	EA	
33	10916507	CORD-POWER 5 SERIES	1	EA	
34	10851312	INSULATION TUBING 70.000	1	EA	Not available online / Call for pricing and availability
35	M0104106	CLIP-CORD VM0104106	1	EA	
36	12527801	HARNESS-FAN MOTOR	1	EA	NO LONGER AVAILABLE, Not available online / Call for pricing and availability
37	M0238616	SCREW, SMALL	1	EA	





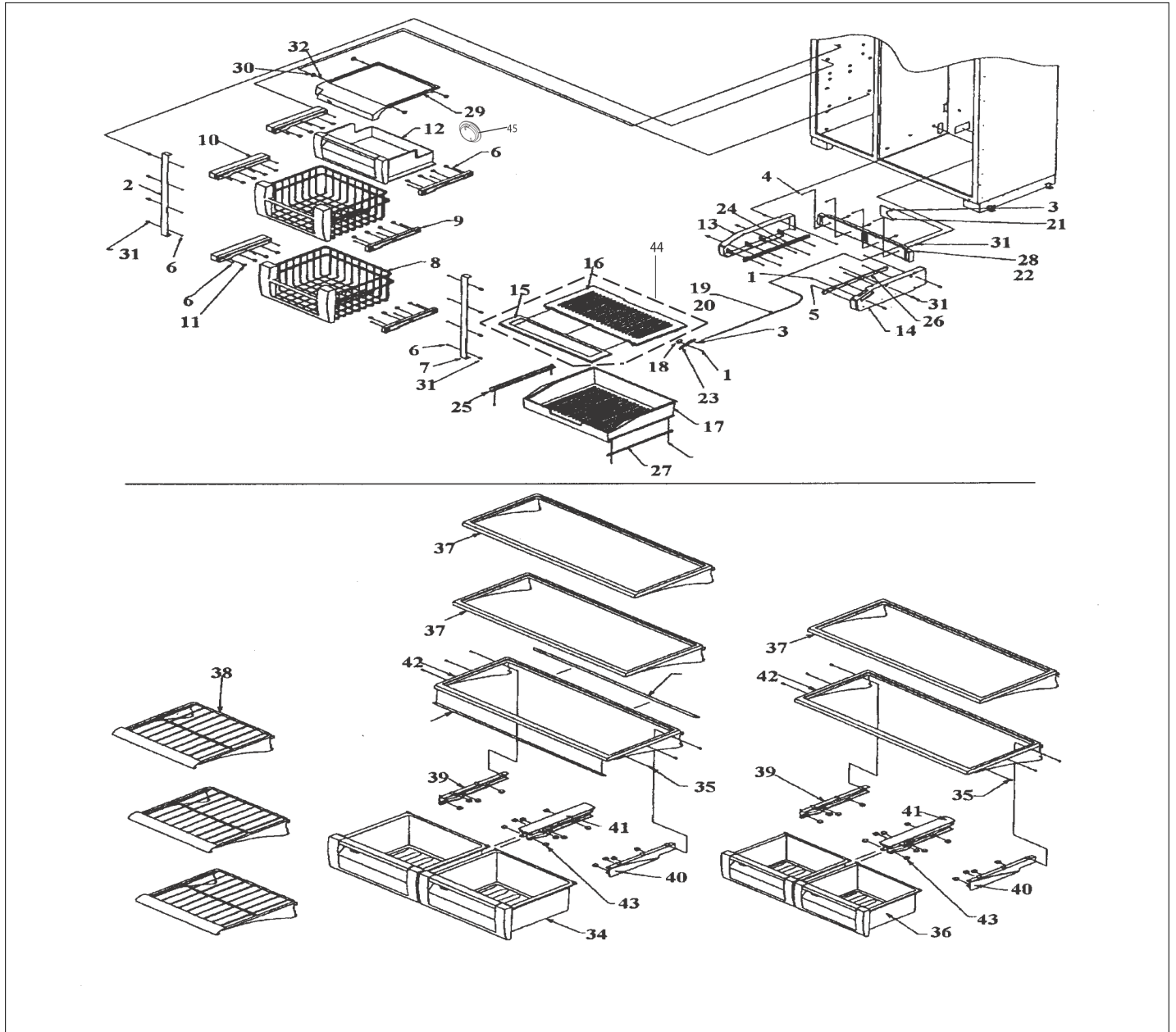
Item	Part No.	Name	Qty	Uom	NOTES
38	12115101	CLAMP-TUBE V12115101	1	EA	
39	M0238616	SCREW, SMALL	1	EA	
40	K2096444	COVER-HT EXCHANGE 12187701	1	EA	
41	G5096419	FILL TUBE ASSY	1	EA	
Comments for Part Num. G5096419					
bradleysapplianceservice@shaw.ca on May 11, 2018					
This part G5096419 does NOT come with the aluminum tube.					
If aluminum tube is required, order 005899-000 and cut to size.					
42	A3127415	EXT-FILL TUBE	1	EA	
43	M0104106	CLIP-CORD VM0104106	1	EA	
44	A3189370	GASKET-FOAM VA3189370	1	EA	
45	A3189368	GASKET-FOAM VA3189368	1	EA	
46	A4539601	DAMPER-TUBING .8	1	EA	Not available online / Call for pricing and availability

SHELVING - CRISPER



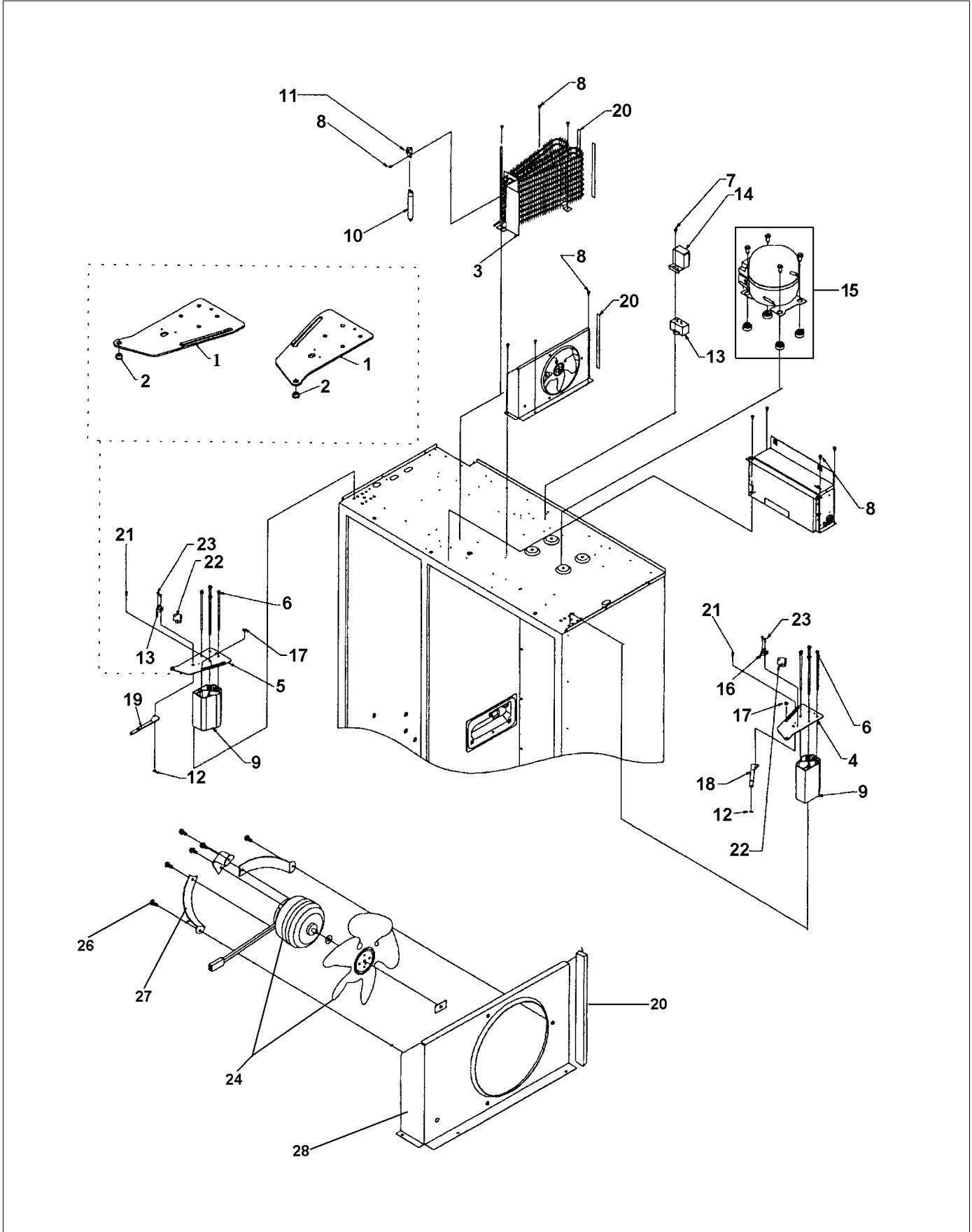


Item	Part No.	Name	Qty	Uom	NOTES
1	VM0211018	SCREW, SM		EA	Not available online / Call for pricing and availability
2	PK930073	CLOSEOUT SIDE SXS 48 FZ L		EA	
3	M0213105	SCREW-SM		EA	
4	M0213531	SCREW-SM		EA	NO LONGER AVAILABLE, Not available online / Call for pricing and availability
5	M0213503	SCREW, SM		EA	
6	M0238616	SCREW, SMALL		EA	
7	V12304301	CLOSEOUT-FZ SIDE #		EA	
8	PM910190	BASKET ASM FZ		EA	
9	PK930074	GLIDE SXS 48 FZ R		EA	
10	PK930075	GLIDE SXS 48 FZ L		EA	
11	12064701	PAD-GLIDE V12064701		EA	
12	019144-000	ICE BUCKET ASM		EA	
<p>Comments for Part Num. 019144-000</p> <p>gboltz@VikingRange.com on Mar 28, 2017</p> <p>See parts bulletin 2017-03P ice bucket helix replacement</p>					
NI	PE950158	Motor Auger		EA	
13	PK930087	SUPPORT DRAWER SXS 48 L		EA	
14	V12073003	SUPPORT-R DRAWER #		Wholesale Price	
15	V12223208	DELI LID ASSY 48"/48D		Wholesale Price	
Not Shown	NOTE	(MUST ORDER ITEM 44)		EA	
16	12223304	DELI TOP ASSEMBLY		EA	
Not Shown	NOTE	(MUST ORDER ITEM 44)		EA	
17	V12073304	DRAWER-DELI 48"/48"Disp		Wholesale Price	
18	V12073401	KNOB-DELI CONT		Wholesale Price	
19	12073501	TUBE-PLASTIC		EA	

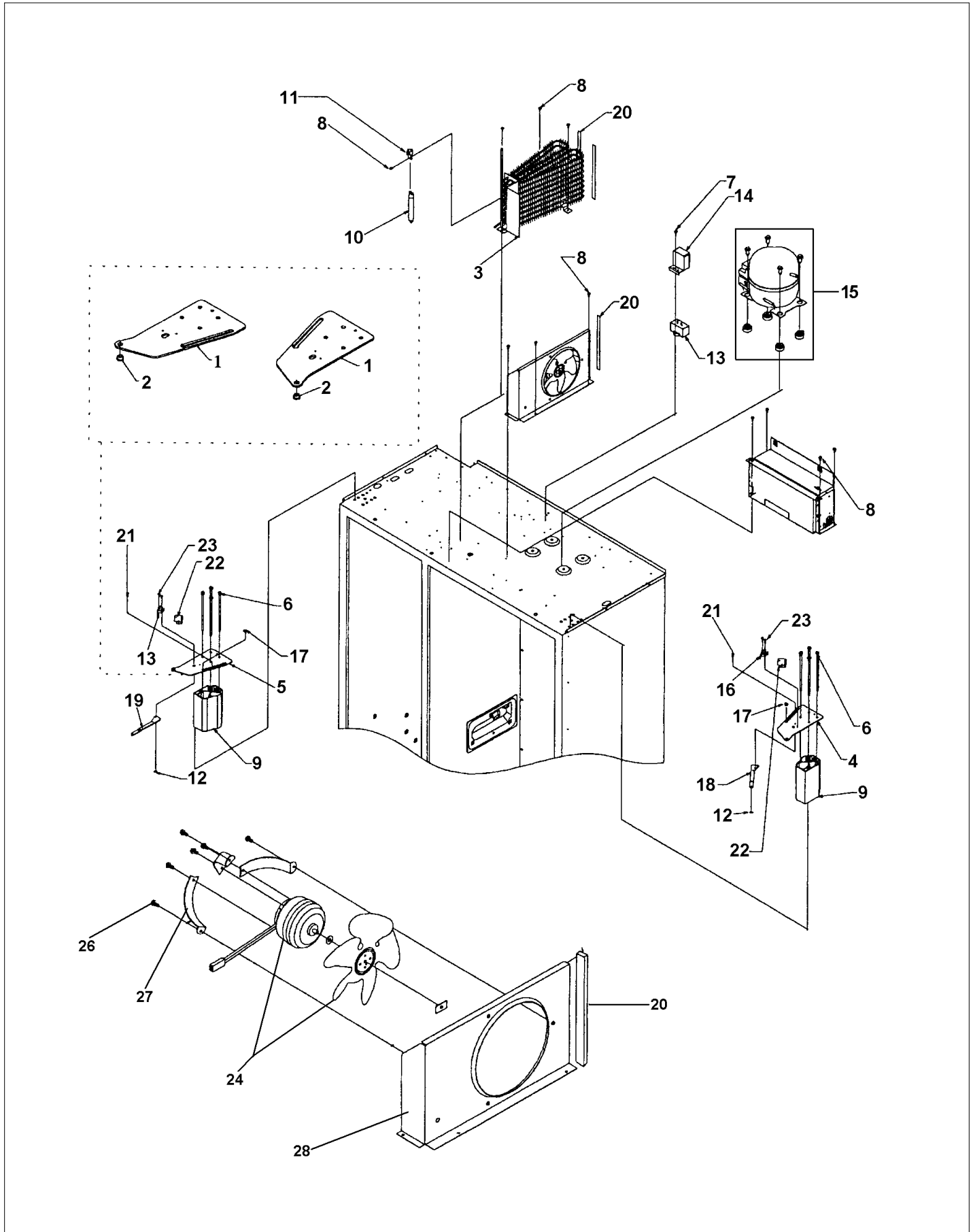


Item	Part No.	Name	Qty	Uom	NOTES
20	12073506	TUBE-PLASTIC		EA	
21	V12073601	SLIDE-DELI CONT		EA	NO LONGER AVAILABLE
22	V12231201	COVER-AIR CONTROL		Wholesale Price	
23	V12070501	GLIDE-DELI KNOB #		EA	NO LONGER AVAILABLE
24	12073901	GLIDE-L SUPPORT V12073901		EA	
25	12073902	GLIDE-L DRAWER V12073902		EA	
26	12073903	GLIDE-R SUPPORT V12073903		EA	
27	12073904	GLIDE-R DRAWER V12073904		EA	
28	12196201	GSKT-CONTROL COVER		EA	NO LONGER AVAILABLE
29	PK930079	SHELF COVER SXS 48 FZ		EA	
30	12258501	SUPPORT-SHELF		EA	
31	M0581001	GROMMET-SCREW VM0581001		EA	
32	M0211021	SCREW-SM		EA	
33	M0238616	SCREW, SMALL		EA	
34	12144302	CRISPER PAN ASSY 48"/48 DISP		EA	
35	M0220417	SCREW-TC		EA	
36	V12183901	DAIRY DRAWER ASSY 48"/48D		Wholesale Price	
37	043624-000	SHELF ASM GLASS 30 AR 48 FF		EA	
38	PM910411	SHELF WIRE AF 36		EA	
39	12064501	GLIDE-LEFT CRISPER		EA	
40	12064502	GLIDE-RIGHT CRISPER		EA	
41	V12064601	GLIDE-CTR CRISPER #		Wholesale Price	
42	12144003	SHELF, CRISPER		EA	Not available online / Call for pricing and availability
43	12064701	PAD-GLIDE V12064701		EA	
44	000485-000	DELI TOP ASSEMBLY - 48 SXS		EA	
45	PM910331C	CAP,HELIX		EA	

TOP HINGES, CONDENSOR, COMPRESSOR



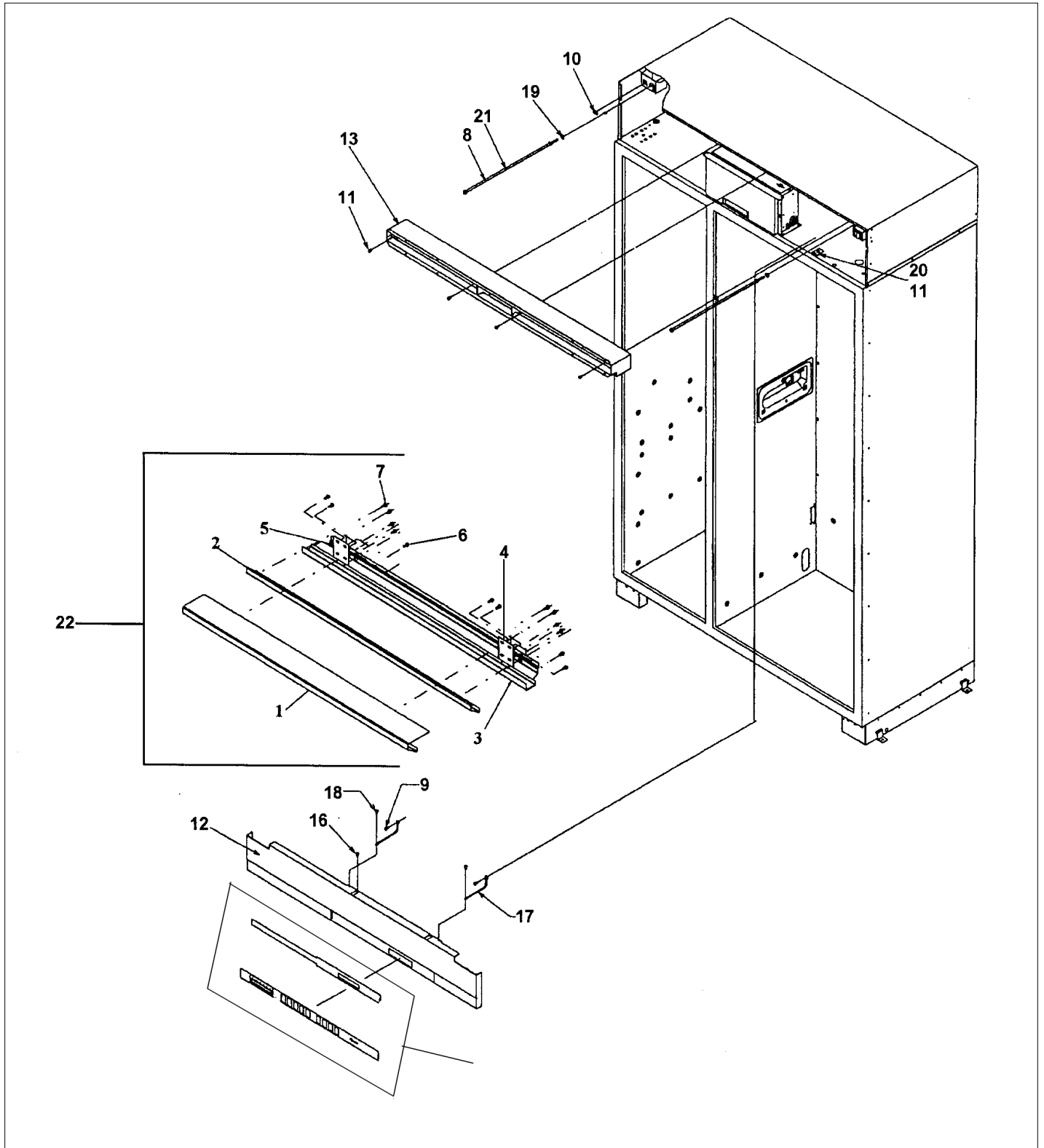
Item	Part No.	Name	Qty	Uom	NOTES
1	K2196428	SHROUD, CONDENSER FAN	1	EA	Not available online / Call for pricing and availability
2	10582501	BRKT-COND MTR V10582501	1	EA	
3	PB920171	CONDENSER ASM	1	EA	
4	PC920034	TOP HINGE ASSY, RH, DFBB, DFSB	1	EA	
5	PC920035	L TOP HINGE ASSY RE V12067805	1	EA	
6	M0206313	SCREW-MACH	1	EA	
7	M0223816	SCREW-TR	1	EA	NO LONGER AVAILABLE
8	M0238616	SCREW, SMALL	1	EA	
9	12067901	EXTRSN-TOP HINGE V12067901	1	EA	
10	PM010616	DRIER - HIGH SIDE	1	EA	
11	10547001	CLIP-DRIER V10547001	1	EA	
12	40370P01	NYLON FLAT WASHER V40370P01	1	EA	
13	003471-000	SWITCH SNAP-ACTION BM 36	1	EA	
NI	011666-000	INVERTER,CMPR,ASM	1	EA	
Comments for Part Num. 011666-000 gboltz@VikingRange.com on Aug 9, 2018 See 2018-01P Parts Bulletin					
14	G5096494	COND. FAN ASSY	1	EA	
15	G5097976	Compressor Assembly (Includes Drier)	1	EA	
16	G50911866	LIGHT CUT OFF SERVICE KIT	1	EA	
17	12348701	BUMPER-DOOR STOP V12348701	1	EA	
18	PC920067	ARM, DOOR STOP, RH	1	EA	
19	PC920069	ARM, DOOR STOP, LH DFBB/SB	1	EA	
20	A3189370	GASKET-FOAM VA3189370	1	EA	
21	M0220942	SCREW-SHLDR	1	EA	
22	12140701	COVER-SWITCH V12140701	1	EA	



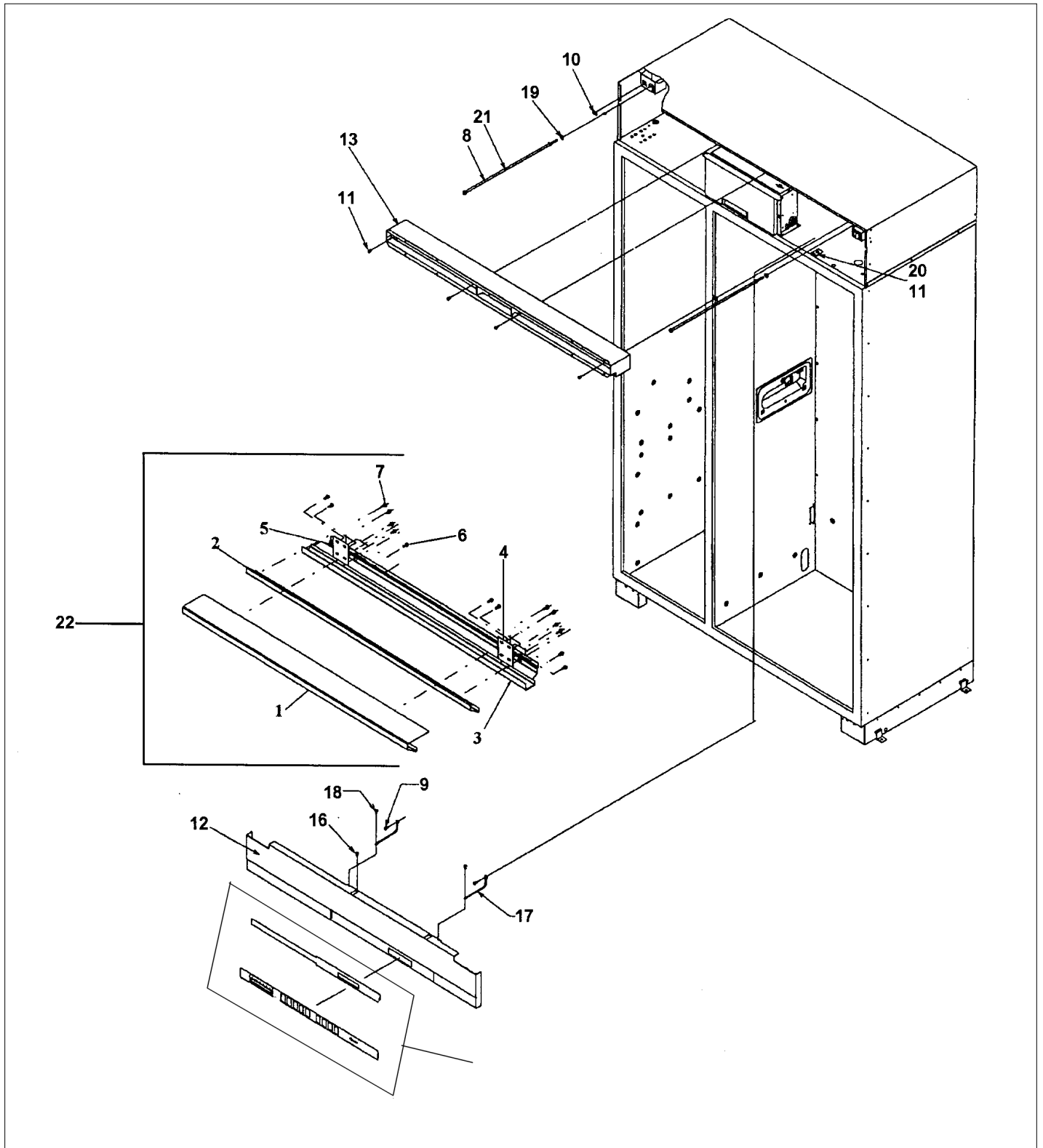


Item	Part No.	Name	Qty	Uom	NOTES
23	M0234005	SCREW-TF	1	EA	
NI	M0104106	CLIP-CORD VM0104106	1	EA	
NI	M0232903	SCREW-SE	1	EA	NO LONGER AVAILABLE
NI	M0211018	SCREW-SM	1	EA	
NI	M0234030	SCREW-TR	1	EA	NO LONGER AVAILABLE
NI	10522103	MOTOR-PSC V10522103	1	EA	
NI	B5742603	BLADE-FAN	1	EA	
NI	A3189371	GASKET, FOAM	1	EA	Not available online / Call for pricing and availability

UPPER GRILLE AND KEYBOARD



Item	Part No.	Name	Qty	Uom	NOTES
1	PM910074	GRILL TOP		EA	NO LONGER AVAILABLE
2	PM910076	GRILLE MIDDLE 48 SXS		EA	
3	PM910078	GRILL BOTTOM		EA	NO LONGER AVAILABLE
4	B2096961	BRACKET-LOUVER		EA	
5	B2096962	BRACKET-LOUVER SUP		EA	
6	M0220417	SCREW-TC		EA	
7	A4539601	DAMPER-TUBING .8		EA	Not available online / Call for pricing and availability
8	M0223603	SCREW-LAG		EA	
9	M0238846	SCREW-SHLDR		EA	
10	M0288120	NUT-SPEED VM0288120		EA	
11	M0238616	SCREW, SMALL		EA	
12	12210301	COVER, CONTROL PANEL		EA	Not available online / Call for pricing and availability
13	G9096487BK	AIR DUCT WELD ASSY		EA	
14	PE950173	OVERLAY SWITCH ASSEMBLY DISPENSER		EA	
16	M0224128	SCREW-SM		EA	
17	12064001	SUPP-CONT PANEL		EA	
18	A4539601	DAMPER-TUBING .8		EA	Not available online / Call for pricing and availability
19	M0270510	WASHER #		EA	
20	12414701	BRKT-CONT COVER		EA	NO LONGER AVAILABLE
21	12349301	BEARING-SLEEVE V12349301		EA	
22	016178-000	GRILLE ASSY 48" EXTRUDED (48" TRIM)		EA	
#	PM910349	END CAP GRILLE L		EA	
#	PM910348	ENP CAP GRILLE R		EA	
#	PM910071	COVER - END CAP 12119801		EA	
#	PM910072	COVER - END CAP		EA	





Item	Part No.	Name	Qty	Uom	NOTES
#	PM910081	SPACER GRILLE 48 - 12184801		EA	NO LONGER AVAILABLE, Not available online / Call for pricing and availability
#	PM910082	SPACER GRILLE 48 - 12184802		EA	NO LONGER AVAILABLE, Not available online / Call for pricing and availability
#	PM910083	GRILLE EXTENSION SXS 12193201		EA	NO LONGER AVAILABLE, Not available online / Call for pricing and availability



Appendix A:Pages Index

CONTROL ASSY 1
EVAP AREA ASSY 2
FLOW CHART DEFROST 3
FLOW CHART NO COMPRESSOR 4
FRZ DOOR ASSY 5
LADDERS - LIGHT SHIELDS 6
LOWER HINGES - ACCESSORIES 7
REF DOOR ASSY 8
ROLLERS - DRAIN PAN 9
SHELVING - CRISPER 10
TOP HINGES,CONDENSOR,COMPRESSOR 11
UPPER GRILLE AND KEYBOARD 12



Appendix B:Parts Index

000485-000	10	12073902	10
002670-000	1	12073903	10
003471-000	11	12073904	10
004528-000	6	12074601	6
004551-000	6, 9	12074701	6
005319-000	1	12074702	6
011666-000	11	12074703	1
013685-000	5	12074704	6
016178-000	12	12096901	6
019144-000	10	12102501	6
019244-000	7	12115101	9
036886-000	8	12117201	1
036888-000	5	12118901	6
043624-000	10	12128001	8
058966-000	2	12135402	6, 7
10093305	7	12140701	11
10270101	6	12144003	10
10270203	6	12144302	10
10281601	6	12150601	9
10428101	2	12184401	6
10522103	11	12184501	6
10526701	7	12184901	6
10527401	2	12193801	5
10544502	1	12196201	10
10547001	11	12210301	12
10582501	11	12223304	10
10623003	2	12231701	2
10851312	9	12233801	2
10916507	9	12234001	2
12034201	9	12258501	10
12064001	12	12348201	5
12064501	10	12348701	11
12064502	10	12349301	12
12064701	10, 10	12414701	12
12067901	11	12527801	9
12071201	9	40370P01	11
12071301	9	A1017202	2
12073501	10	A1055101	9
12073506	10	A3030302	2
12073901	10	A3030303	2
		A3030361	2



A3127415	7, 9	K2096457	2
A3189368	2, 9	K2096458	2
A3189370	2, 9, 11	K2096459	9
A3189371	11	K2096460	9
A4539601	1, 6, 9, 9, 12, 12	K2096461	2
A4554817	1	K2096464	7
B2096961	12	K2096473	9
B2096962	12	K2096475	6
B5733302	6	K2096650	5
B5742603	11	K2096651	5
C3680309	6	K2097709	1
C8973603	5	K2196412	2
C8983701	2, 6	K2196420	9
C9096463WH	7	K2196428	11
F2096550	9	L2096422	6
G3096496	6	L2096443	6
G3297574	5	L2096474	9
G50910009	7	L2097181	2
G50911843	9	L2097182	2
G50911859	5	L2196411	2
G50911866	11	M0104106	1, 9, 9, 11
G5096419	9	M0108201	6
G5096490	9	M0202528	7, 8
G5096494	11	M0204339	7
G5097702	8, 8	M0206313	11
G5097976	11	M0211018	11
G5098660	2	M0211021	10
G5099989	8	M0213105	10
G9096487BK	12	M0213503	10
K1096533	7	M0213531	10
K2096427	9	M0218136	6
K2096429	1	M0218137	6
K2096430	1	M0220417	6, 9, 9, 10, 12
K2096431	1	M0220928	7
K2096439	9	M0220942	11
K2096442	9	M0221913	6
K2096444	9	M0223603	12
K2096449	7	M0223816	1, 11
K2096450	7	M0224128	12
K2096455	9	M0224416	2, 9
K2096456	2	M0226233	8



M0232903	2, 2, 6, 11	PC920034	11
M0232929	2	PC920035	11
M0234005	11	PC920043	7
M0234030	11	PC920045	5, 7
M0238535	6	PC920047	8
M0238616	1, 2, 6, 7, 9, 9, 10, 10, 11, 12	PC920049	5
M0238734	7	PC920067	11
M0238846	6, 12	PC920069	11
M0238859	2	PD020013	1
M0267153	9	PE070866	5
M0270510	7, 12	PE940176	5
M0272803	7, 8	PE950149	6
M0273801	9	PE950152	5
M0280801	9	PE950158	10
M0286708	9	PE950173	12
M0288120	1, 6, 12	PE970330	1
M0295308	9	PE970331	1
M0321202	6, 7	PE970428	5
M0580007	6	PE970464	1
M0581001	6, 6, 10	PE970465	1
M0585504	1	PE970484	5
M0585506	1	PJ910031	2
M0753001	9	PK900026	7
M1200004	9	PK920023	6
M1200203	9	PK920024	6
M1252901	9	PK930073	10
M6096628	5	PK930074	10
PA070014	9	PK930075	10
PB020302	9	PK930077	6
PB070295	5	PK930078	6
PB070296	8	PK930079	10
PB910228	5	PK930085	6
PB910260	5	PK930086	6
PB920155	2	PK930087	10
PB920171	11	PK930150	2
PB980023	5	PK930273	5
PC020231	8	PK930274	5
PC020296	7	PK930348	9
PC910017	5	PK930381	5
PC920032	7	PK930383	5
PC920033	7	PK930401	5



PK930403 5
PK930404 5
PM010616 11
PM910069 6
PM910070 6
PM910071 12
PM910072 12
PM910074 12
PM910076 12
PM910078 12
PM910081 12
PM910082 12
PM910083 12
PM910169 2
PM910190 10
PM910206 2
PM910331C 10
PM910348 12
PM910349 12
PM910386 7
PM910411 10
PM910465 7
V12064601 10
V12070501 10
V12073003 10
V12073304 10
V12073401 10
V12073601 10
V12183901 10
V12203602 8
V12221005 5
V12223208 10
V12231201 10
V12304301 10
VM0211018 10