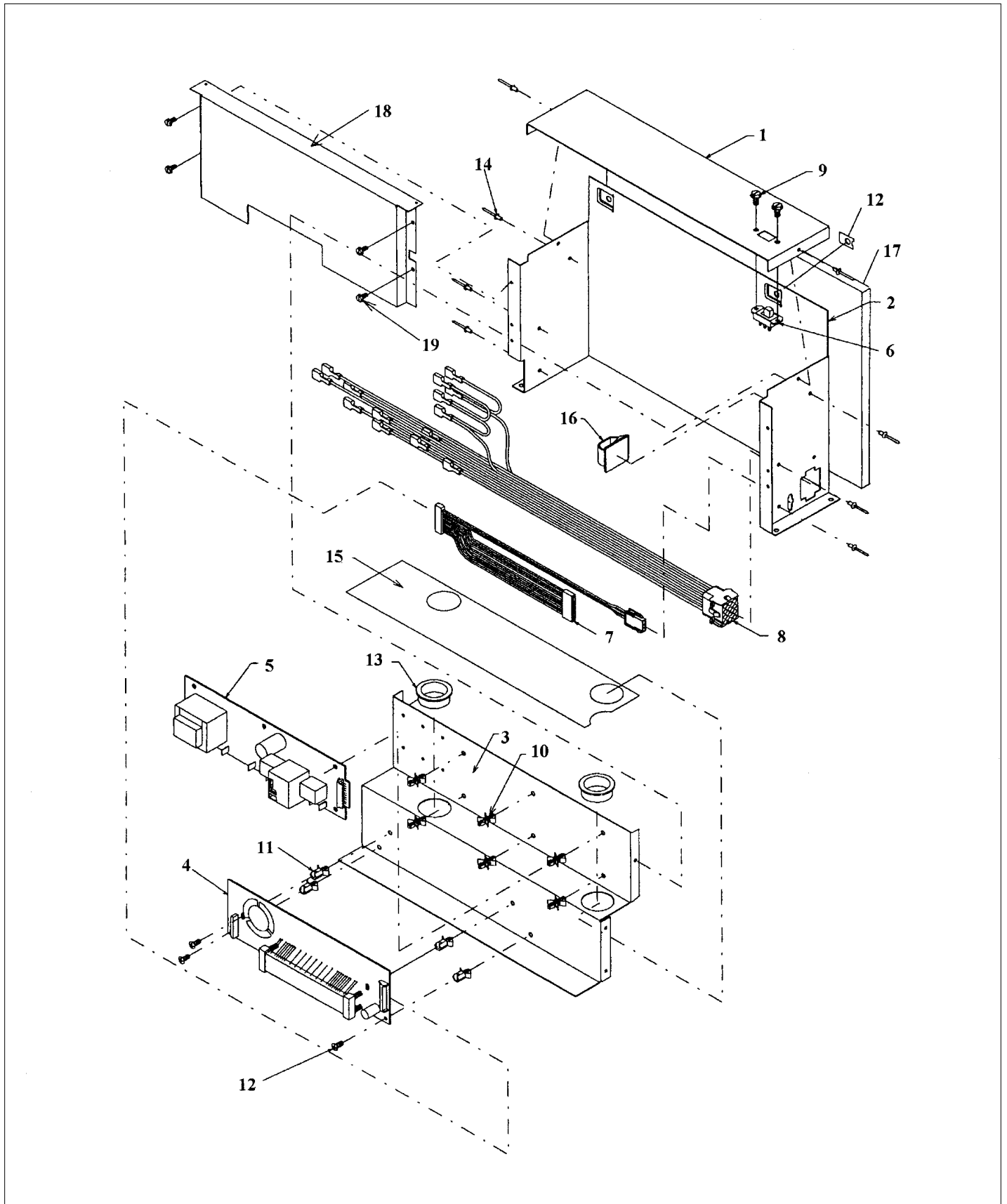


**DFSB482**

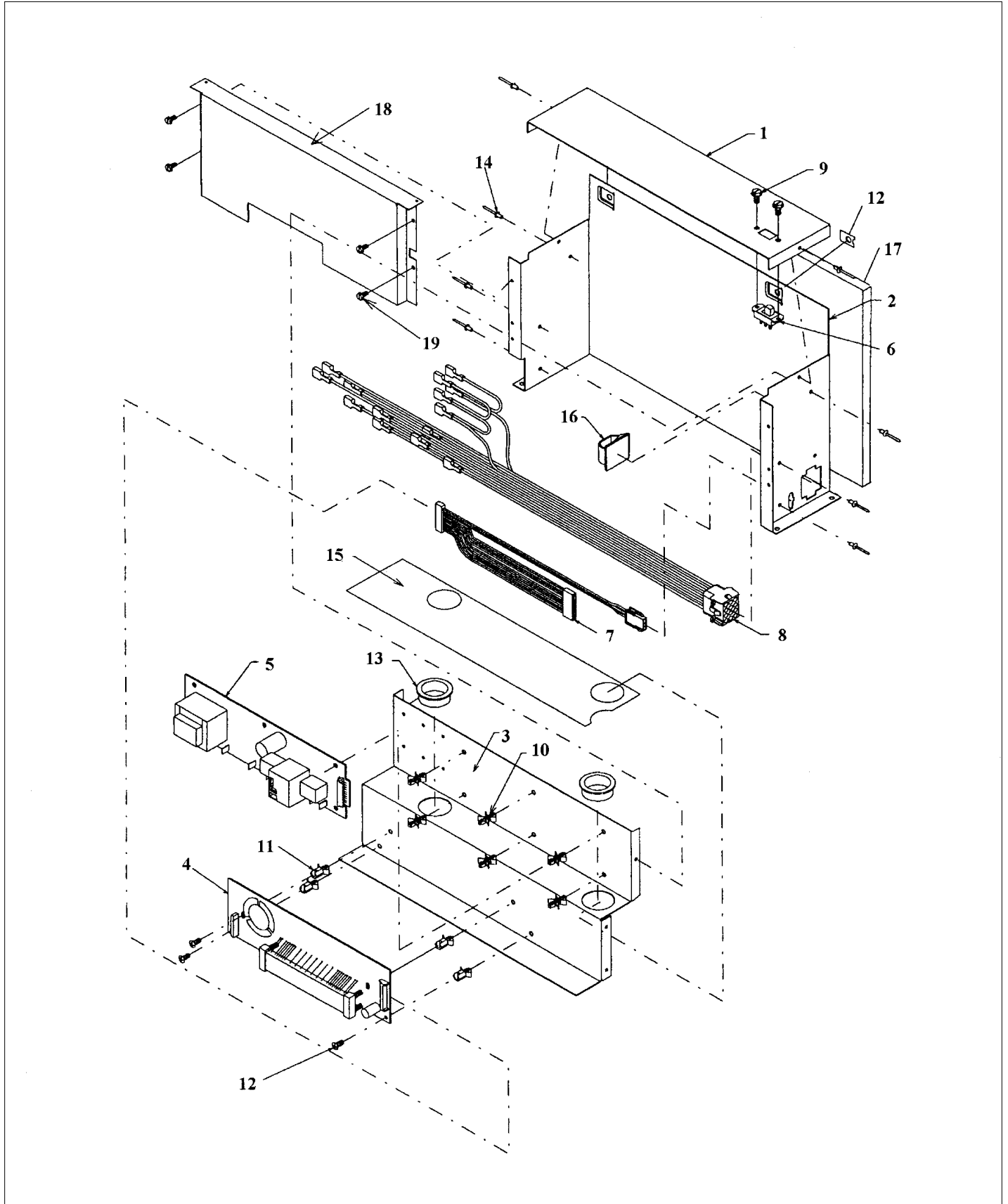
CONTROL ASSY .....	1
DOOR ASSY .....	2
EVAP AREA ASSY .....	3
LADDERS .....	4
LOWER HINGES .....	5
NO COMPRESSOR .....	6
ROLLERS .....	7
SHELVING .....	8
TOP HINGES .....	9
UPPER GRILLE .....	10
Appendix A:Pages Index .....	A
Appendix B:Parts Index .....	B



## CONTROL ASSY



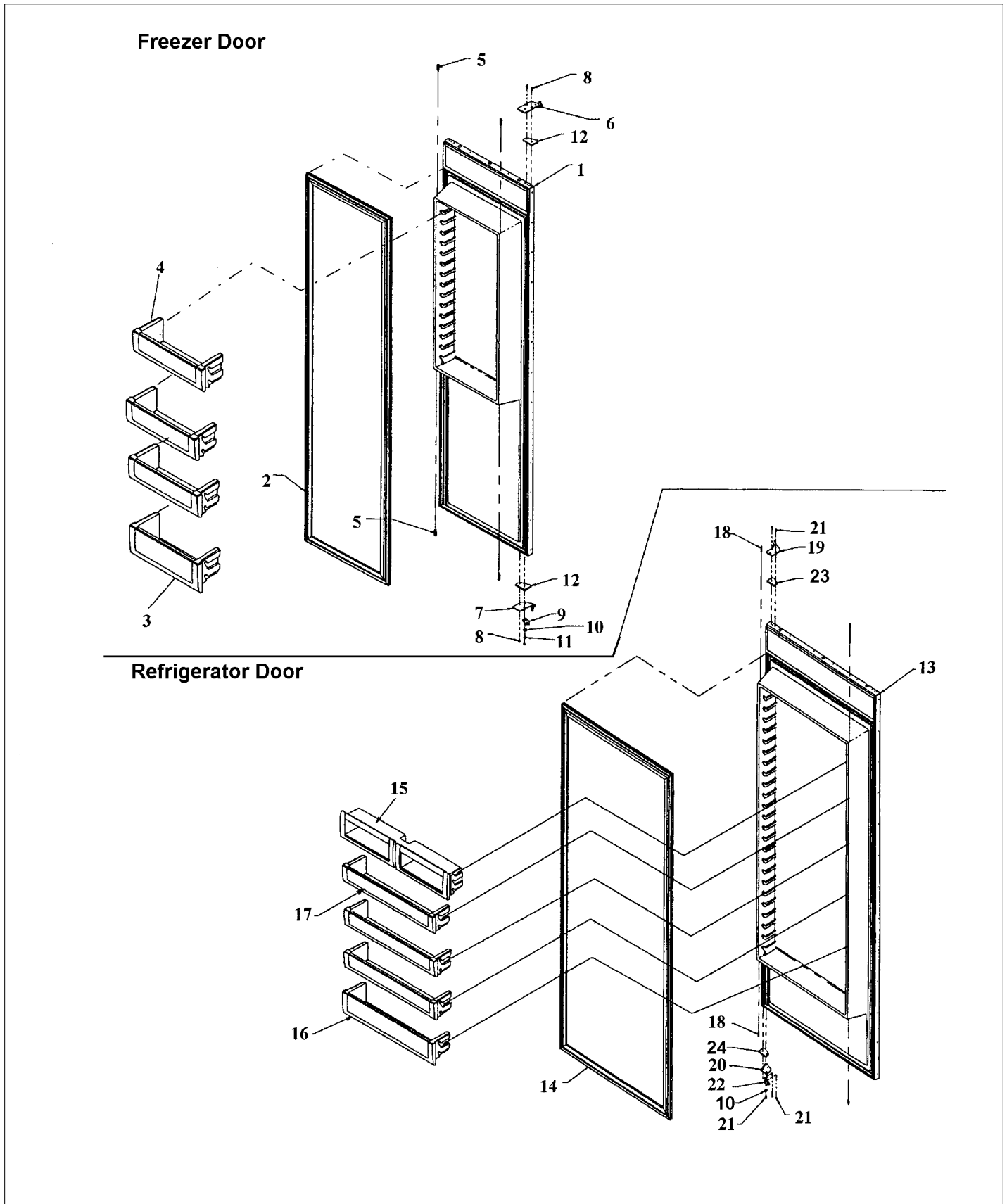
Item	Part No.	Name	Qty	Uom	NOTES
1	K2096429	SUB TO K2098657 - TOP-CONT BOX 12090801	1	EA	NO LONGER AVAILABLE
2	K2097709	BOX CONTROL	1	EA	NO LONGER AVAILABLE
3	K2096430	BRKT-PC 12090901	1	EA	NO LONGER AVAILABLE
4	002670-000	LOW VOLTAGE BOARD KIT W/HARNESS	1	EA	
Comments for Part Num. 002670-000  boltz on Apr 12, 2018 See TR-0022-SP Bulletin					
5	005319-000	POWER CONTROL BOARD ASM 5 SERIES	1	EA	
Comments for Part Num. 005319-000  boltz on Apr 12, 2018 See TR-0056-SP Bulletin					
6	10544502	SWITCH-SLIDE GRN	1	EA	
7	PE970464	HARNESS LOW VOLT 5 SERIES	1	EA	
Not Shown	NOTE	Only use if kit has been installed		EA	
8	PE970609	HARNESS CONTROL BOARD 5 SERIES	1	EA	
Not Shown	NOTE	Only use if kit has been installed		EA	
9	M0223816	SCREW-TR	1	EA	NO LONGER AVAILABLE
10	M0585504	SUPPORT	1	EA	
11	M0585506	SUPPORT	1	EA	
12	PD020013	TYPE "AB" #6 X 3/8 PH PAN HD. SMS	1	EA	
13	A4554817	BUSHING-SNAP VA4554817	1	EA	
14	A4539601	DAMPER-TUBING .8	1	EA	Not available online / Call for pricing and availability
15	12117201	FILM-PROTECTIVE	1	EA	NO LONGER AVAILABLE, Not available online / Call for pricing and availability





Item	Part No.	Name	Qty	Uom	NOTES
16	M0104106	CLIP-CORD VM0104106	1	EA	
17	12074703	INSUL-CONT BOX V12074703	1	EA	NO LONGER AVAILABLE, Not available online / Call for pricing and availability
18	K2096431	FRONT-CONT PANEL 12091001	1	EA	
19	M0238616	SCREW, SMALL	1	EA	
20	M0288120	NUT-SPEED VM0288120	1	EA	

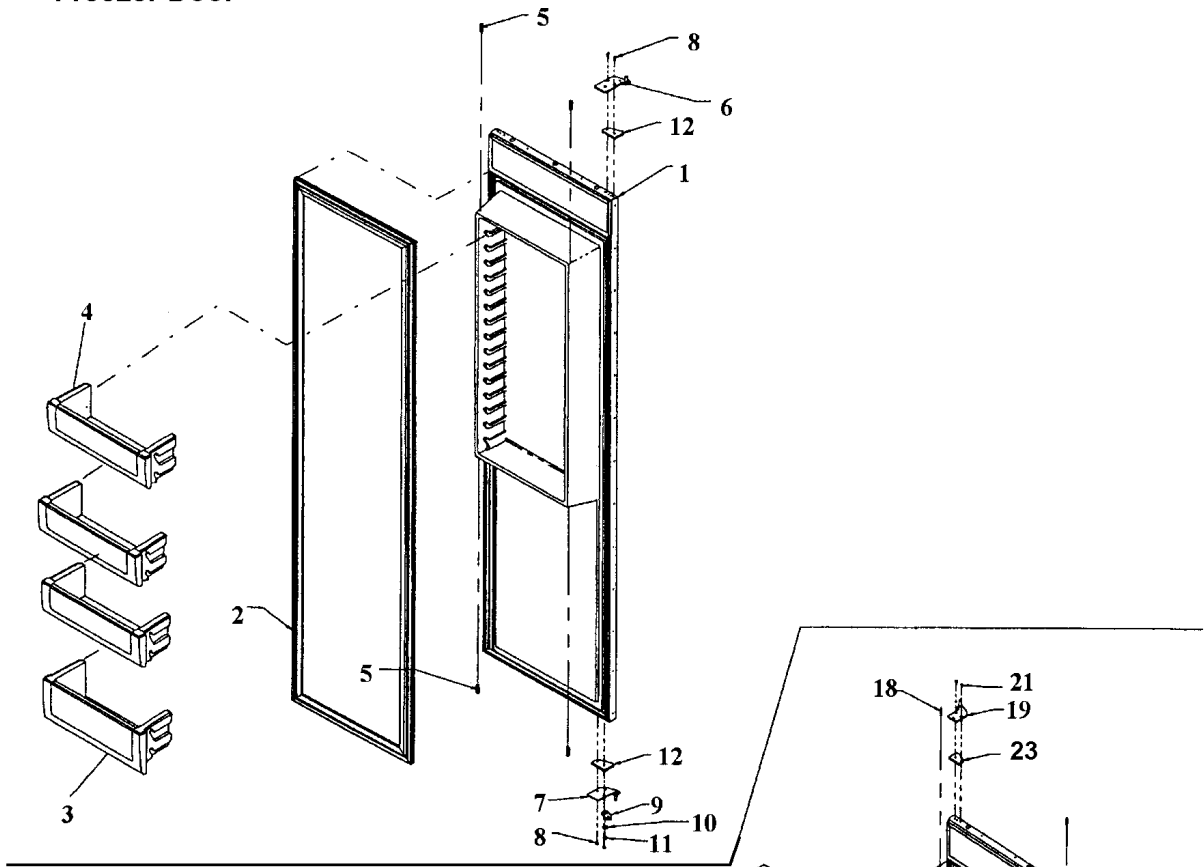
DOOR ASSY



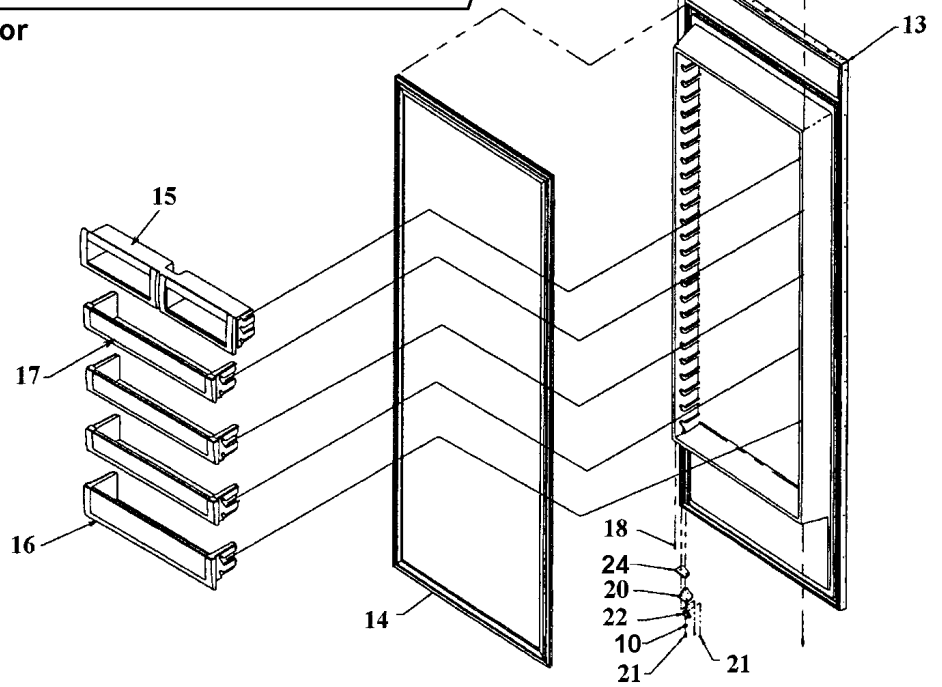


Item	Part No.	Name	Qty	Uom	NOTES
1	12116303	CONV FREEZER FOAM DOOR ASSY	1	EA	Not available online / Call for pricing and availability
2	001943-000	SERV. GASKET FACE CHARGE	1	EA	
3	12192901	FZ DR SHELF ASSY #	1	EA	
4	12188001	DOOR SHELF ASSY	1	EA	NO LONGER AVAILABLE
5	12128001	PLUG-INNER DOOR	1	EA	
6	PC920049	PIVOT PL ASSY, LH UP DFBB/DFSB	1	EA	
7	J5096505	HINGE-TAP L LW	1	EA	Not available online / Call for pricing and availability
8	M0226233	SUB TO PD920174 - 10 X 7/8 PHILLIPS SMA TRI LOBE SA	1	EA	
9	PC020296	CAM DOOR CLOSURE TOP BLACK	1	EA	
10	M0272803	WASHER-LOCK	1	EA	
11	M0202528	SCREW-MACH #	1	EA	
12	M6096628	SPCR HINGE REP V12530201/V12493901	1	EA	
13	12116203	REFRIGERATOR DOOR FOAM ASSEMBLY	1	EA	Not available online / Call for pricing and availability
14	001954-000	SERV. GASKET FACE CHARGE	1	EA	
15	V12203602	DAIRY MODULE ASSY #	1	EA	
16	036886-000	DOORBIN ASM SXS 48 FF	1	EA	
17	G5099989	48" FF METAL SHELF KIT	1	EA	
18	12128001	PLUG-INNER DOOR	1	EA	
19	PC920047	PIVOT PL ASSY, RH UP	1	EA	
20	J5096506	SUB TO PC920050	1	EA	NO LONGER AVAILABLE
21	M0226233	SUB TO PD920174 - 10 X 7/8 PHILLIPS SMA TRI LOBE SA	1	EA	
22	PC020296	CAM DOOR CLOSURE TOP BLACK	1	EA	
23	M6096628	SPCR HINGE REP V12530201/V12493901	1	EA	
24	M0202528	SCREW-MACH #	1	EA	

Freezer Door



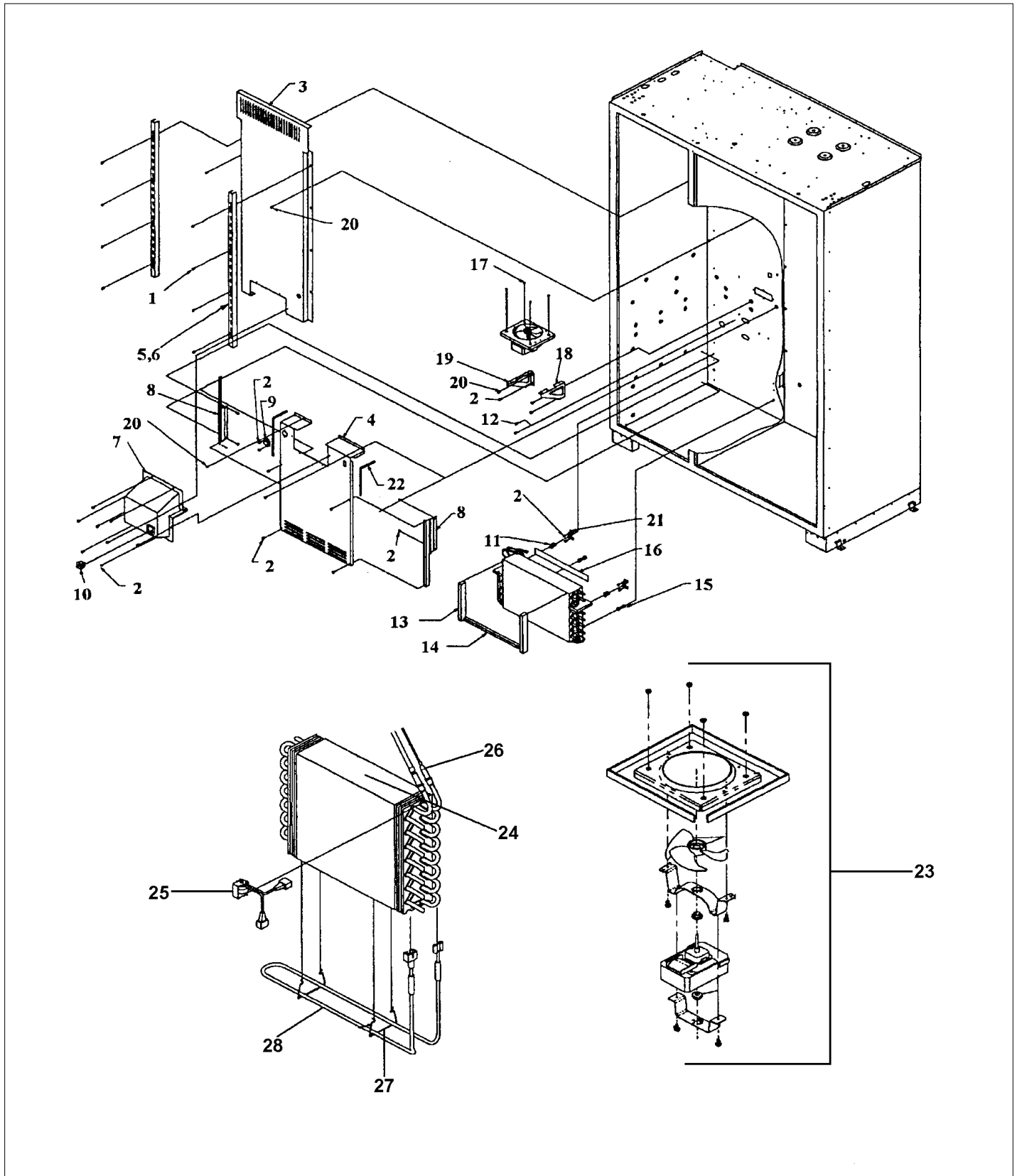
Refrigerator Door



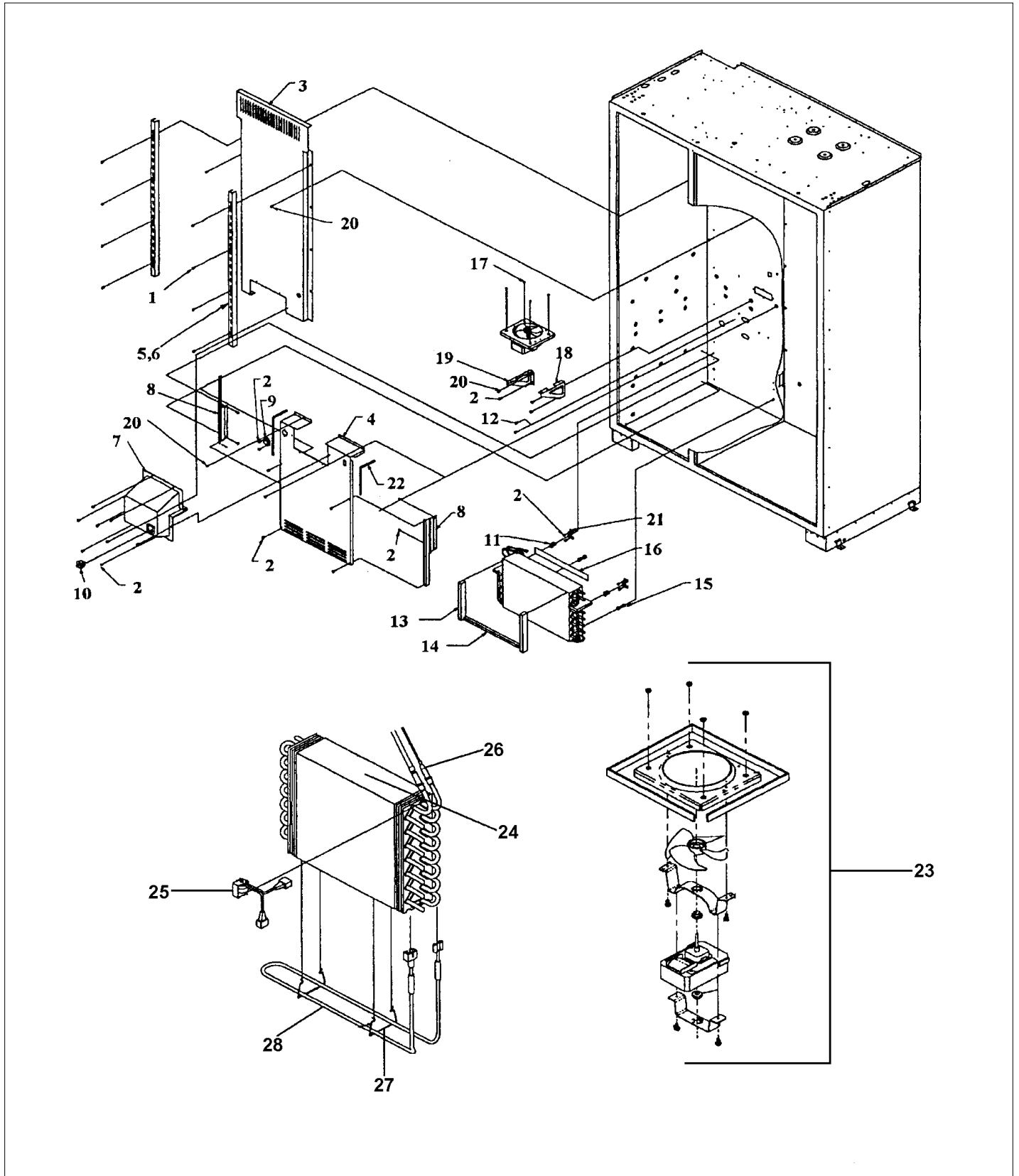


Item	Part No.	Name	Qty	Uom	NOTES
NI	PC920045	PIVOT PL ASSY, LH LW	1	EA	
NI	PC920043	PIVOT PL ASSY, RH LW DFBB	1	EA	
NI	K2096648	BRKT-DEC PANEL	1	EA	
NI	K2096650	BRKT-DEC PANEL	1	EA	
NI	K2096651	BRKT-DEC PANEL	1	EA	
NI	PM910098	INSERT 48 SXS FF TOP/BOT 12063708	1	EA	
NI	PM910107	INSERT 48 SXS FZ TOP/BOT 12063707	1	EA	NO LONGER AVAILABLE
NI	PM910097	INSERT SXS FF/FZ SIDE 12063706	1	EA	
NI	PE030166	Handle, Freezer Door - SS	1	EA	
NI	PE030166PVD	Handle, Freezer Door - BR	1	EA	Not available online / Call for pricing and availability

EVAP AREA ASSY



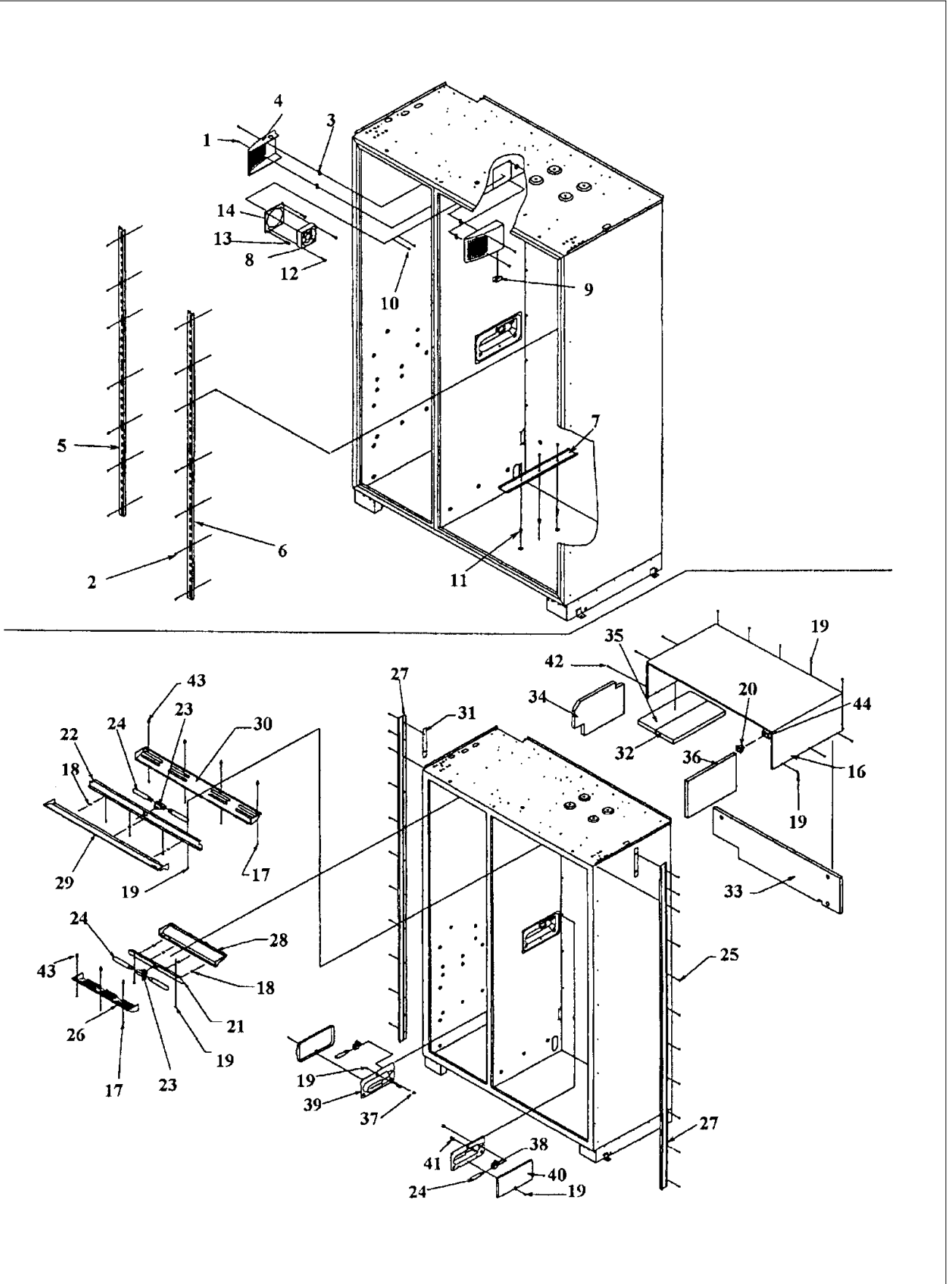
Item	Part No.	Name	Qty	Uom	NOTES
1	VM0232903	SCREW, SE	1	EA	Not available online / Call for pricing and availability
2	VM0238616	SCREW-SM	1	EA	Not available online / Call for pricing and availability
3	L2096451	COVER - UPPER EVAP (48" SXS)	1	EA	NO LONGER AVAILABLE, Not available online / Call for pricing and availability
4	L2096452	COVER - LOWER EVAP 48"SXS	1	EA	
5	V12231701	LADDER, FREEZER L/R SIDE	1	EA	Not available online / Call for pricing and availability
6	V12233801	GASKET, FREEZER LADDER	1	EA	Not available online / Call for pricing and availability
7	PK930150	COVER CTR EVAP SXS	1	EA	
8	K2096461	BRKT-EVAP COVER 12234801	1	EA	
9	C8983701	THERMISTOR	1	EA	
10	VC3680309	ROCKER SWITCH ASSEMBLY	1	EA	
11	V10623003	CLIP, EVAPORATOR	1	EA	Not available online / Call for pricing and availability
12	VM0232903	SCREW, SE	1	EA	Not available online / Call for pricing and availability
13	VA3030361	GASKET	1	EA	Not available online / Call for pricing and availability
14	VA3030303	GASKET	1	EA	Not available online / Call for pricing and availability
15	V10527401	CLIP, EVAPORATOR	1	EA	Not available online / Call for pricing and availability
16	VA3189370	GASKET, FOAM	1	EA	Not available online / Call for pricing and availability





Item	Part No.	Name	Qty	Uom	NOTES
17	VM0238859	SCREW, SHOULDER	1	EA	Not available online / Call for pricing and availability
18	K2096457	BRKT-R-EVAP FAN 12223101	1	EA	
19	K2096458	BRKT-L-EVAP-FAN 12223102	1	EA	
20	VM0232929	SCREW, SE	1	EA	Not available online / Call for pricing and availability
21	K2096456	BRKT-EVAP CLIP 12215101	1	EA	
22	VA3189368	GASKET, FOAM	1	EA	Not available online / Call for pricing and availability
23	G5098660	FAN EVAP ASM PANASONIC	1	EA	
24	PM910206	EVAPORATOR SXS 48	1	EA	
25	058966-000	THERMOSTAT, SNAP ACTION, 55 OPEN 20 CLOSE	1	EA	
26	PB920155	HEAT EXCHANGER ASM SXS 48	1	EA	
27	V10428101	CLIP, EVAPORATOR HEATER	1	EA	Not available online / Call for pricing and availability
28	V10428411	HEATER, EVAPORATOR	1	EA	
NI	V10851306	INSULATION - TUBING	1	EA	Not available online / Call for pricing and availability

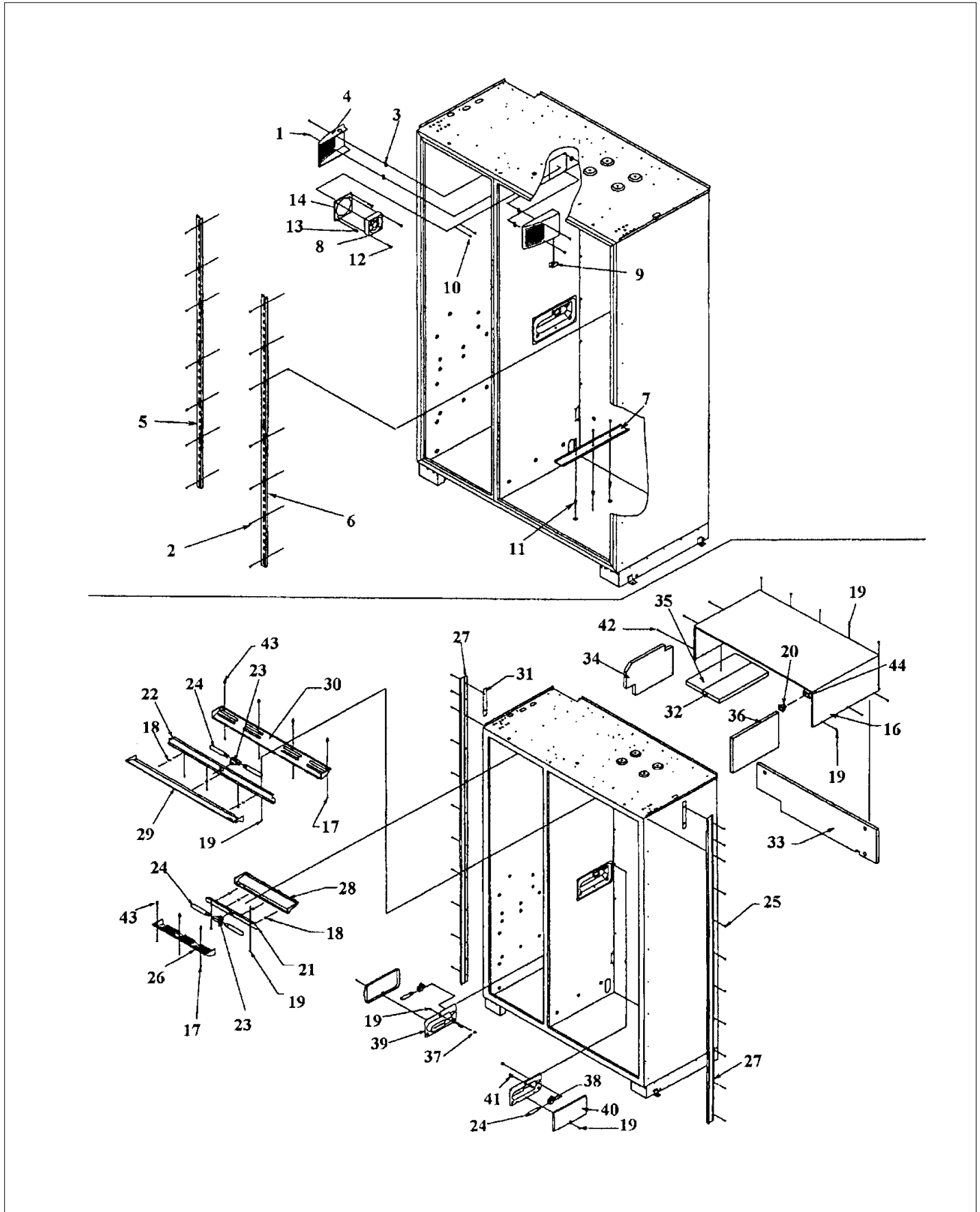
LADDERS



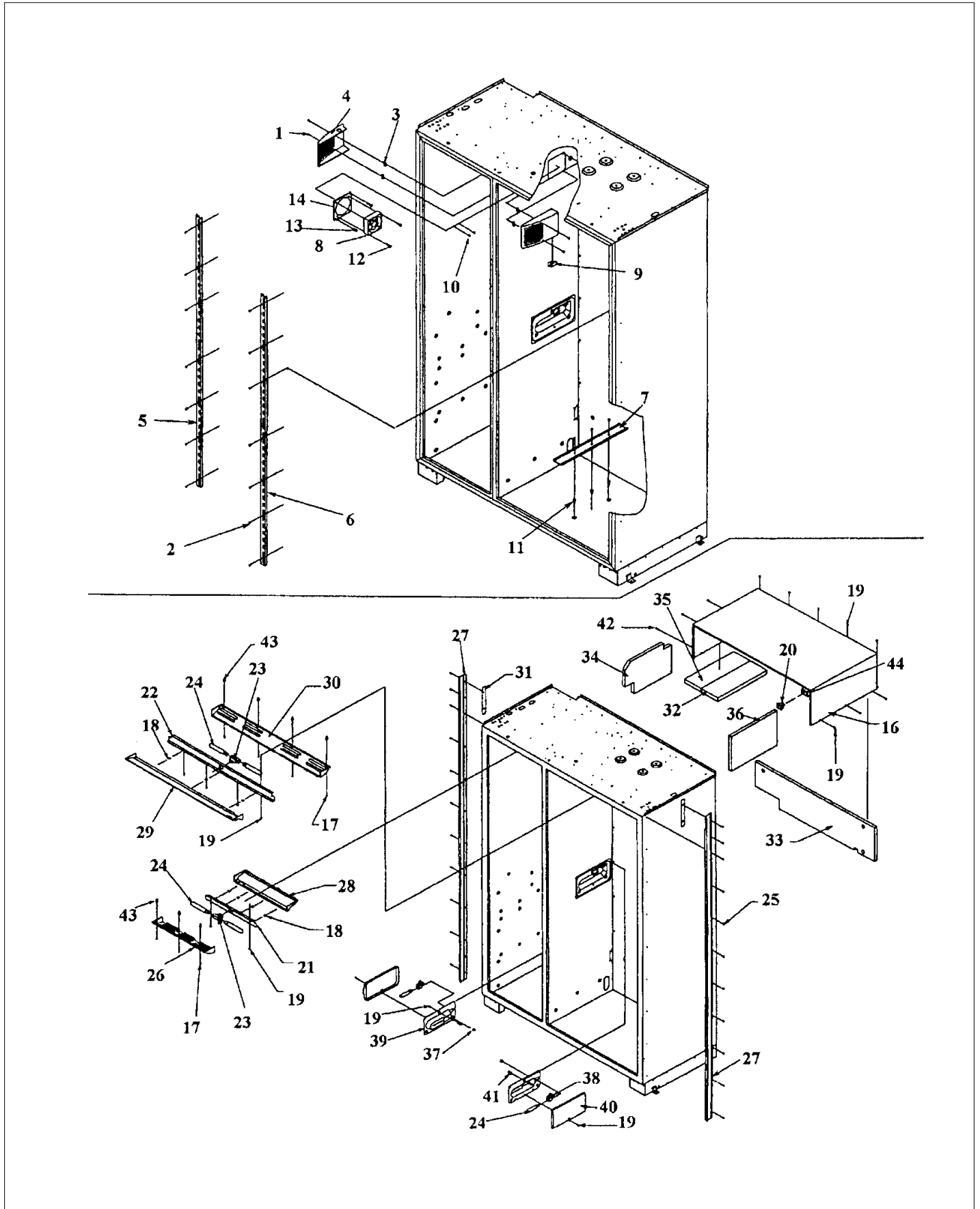




Item	Part No.	Name	Qty	Uom	NOTES
1	M0221913	SCREW-SM	1	EA	
2	M0238535	SCREW-SM	1	EA	
3	M0288120	NUT-SPEED VM0288120	1	EA	
4	12203701	COVER, FAN	1	EA	Not available online / Call for pricing and availability
5	12257901	LADDER-R SIDE REF	1	EA	NO LONGER AVAILABLE
6	12230901	LADDER-R SIDE REF	1	EA	NO LONGER AVAILABLE, Not available online / Call for pricing and availability
7	12118901	TRACK-DELI DRAWER	1	EA	
8	004551-000	AXIAL FAN	1	EA	
<p>Comments for Part Num. 004551-000</p> <p>gboltz@VikingRange.com on Jul 21, 2016</p> <p>View service bulletin TR-0052-SP before ordering fan, if applicable order kit instead of fan</p>					
9	C8983701	THERMISTOR	1	EA	
10	M0232903	SCREW-SE	1	EA	NO LONGER AVAILABLE
11	M0581001	GROMMET-SCREW VM0581001	1	EA	
12	M0218136	SCREW-SM	1	EA	NO LONGER AVAILABLE, Not available online / Call for pricing and availability
13	M0218137	SCREW-SM	1	EA	
14	K2096475	FAN MOUNTING PLATE	1	EA	
15	12102501	RET-HARNESS	1	EA	
Not Shown	M0321202	TIE-ELEC	1	EA	
16	G3096496	MC COVER WELD 12213401	1	EA	NO LONGER AVAILABLE
17	M0238846	SCREW-SHLDR	1	EA	
18	M0108201	CLIP-S	1	EA	NO LONGER AVAILABLE
19	M0238616	SCREW, SMALL	1	EA	



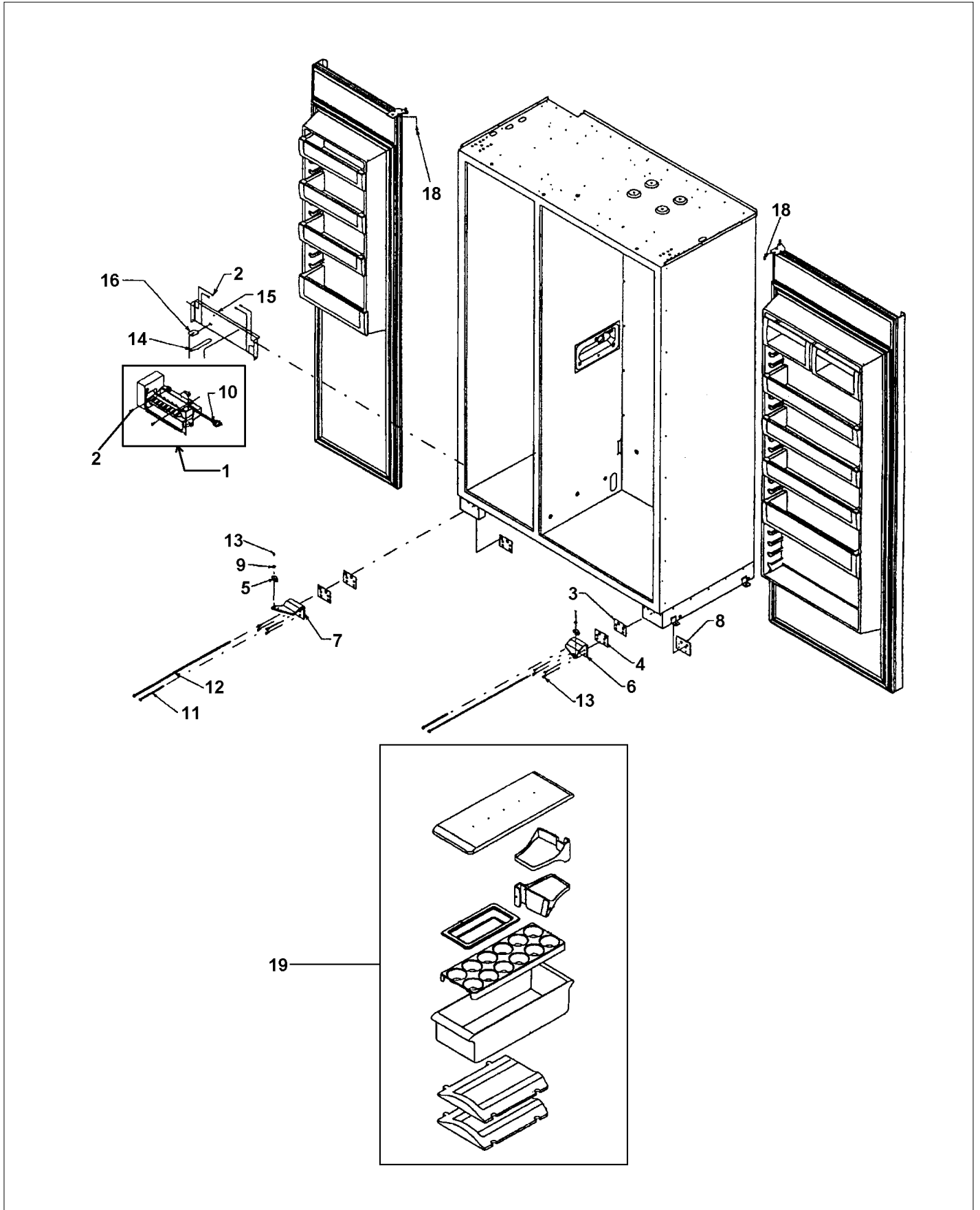
Item	Part No.	Name	Qty	Uom	NOTES
20	PE950149	SWITCH POWER	1	EA	
21	L2096422	BRKT-FZ LIGHT 12055701	1	EA	NO LONGER AVAILABLE
22	L2096443	BRKT-REF LIGHT 12184301	1	EA	NO LONGER AVAILABLE
23	12096901	SOCKET-LIGHT	1	EA	NO LONGER AVAILABLE
24	004528-000	LAMP, 40 WATT CLEAR LIGHT	1	EA	
25	M0220417	SCREW-TC	1	EA	
26	PK930253	LENS LIGHT BM 36" FZ	1	EA	
27	000953-000	EXTRUSION,FOL,SIDE	1	EA	
28	12074501	COVER-FZ LIGHT	1	EA	
29	12184401	COVER, REFRIGERATOR LIGHT - NLA	1	EA	
30	12184501	LENS, REFRIGERATOR LIGHT	1	EA	Not available online / Call for pricing and availability
31	12135402	SHIM-CAB TRIM	1	EA	
32	12074701	INSUL-MC CVR V12074701	1	EA	
33	12184901	INSUL-BACK MC CVR	1	EA	Not available online / Call for pricing and availability
34	12074601	INSUL-L MC CVR V12074601	1	EA	
35	12074704	INSUL-MC CVR	1	EA	
36	12074702	INSUL-R MC CVR V12074702	1	EA	
37	B5733302	CLIP-GROUND	1	EA	
38	10281601	SOCKET-SGL LIGHT	1	EA	
39	10270203	HOUSING-LIGHT V10270203	1	EA	
40	10270101	COVER, LIGHT	1	EA	
41	M0580007	GROMMET-SCREW	1	EA	
42	A4539601	DAMPER-TUBING .8	1	EA	Not available online / Call for pricing and availability
43	M0581001	GROMMET-SCREW VM0581001	1	EA	





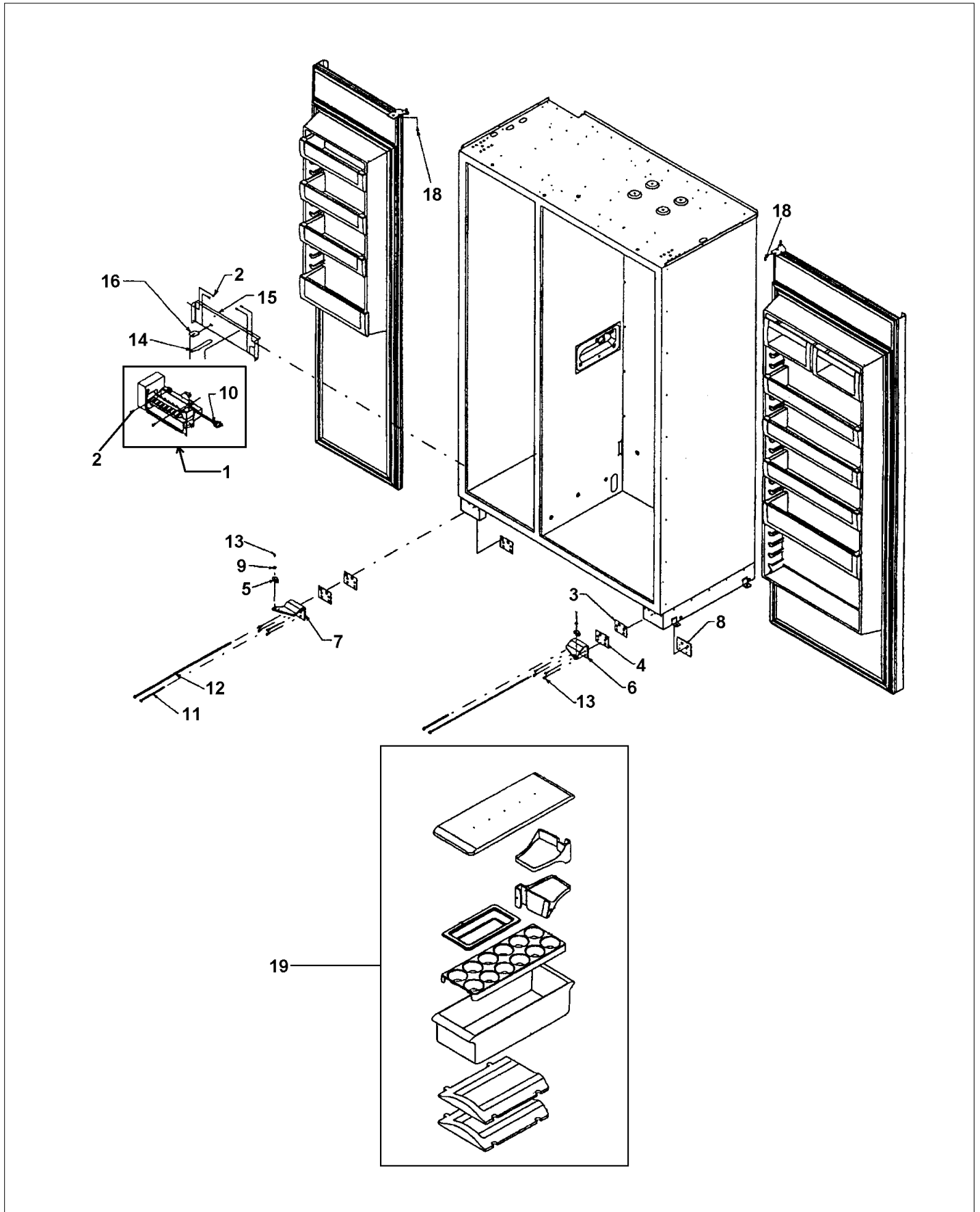
Item	Part No.	Name	Qty	Uom	NOTES
44	C9096416BK	POWER SWITCH BRACKET	1	EA	NO LONGER AVAILABLE, Not available online / Call for pricing and availability
45	PM910085	TOP TRIM	1	EA	NO LONGER AVAILABLE, Not available online / Call for pricing and availability
46	PM910086	BOTTOM TRIM	1	EA	NO LONGER AVAILABLE, Not available online / Call for pricing and availability
NI	013112-000	NOISE REDUCTION FAN KIT	1	EA	

LOWER HINGES





Item	Part No.	Name	Qty	Uom	NOTES
1	G50911858	ICE MAKER ASM, NLA, order components, see TR-0023C-SP	1	EA	NO LONGER AVAILABLE
<p>Comments for Part Num. G50911858</p> <p>jennifer@thetrend.com on Feb 12, 2016 It would be nice to have the ice maker in the right location. Even better if it gave the right part number.</p> <p>vharding68@verizon.net on Mar 16, 2016 Doesn't matter where it is or the part number....There has been a bulletin on these ice makers since November of 2007 (Btw...it is superseded by another bulletin that is prior to that date). Bulletin number TR-0023B-SP</p> <p>Val @ bob's, pa bradleysapplianceservice@shaw.ca on Sep 1, 2016 SERVICE BULLETIN: TR-0023B-SP SUBS TO: 002252-000 ICE MAKER MODULE 002251-000 ICE MAKER BAIL ARM 002253-000 ICE MAKER WIRE HARNESS</p> <p>platinumcares@aol.com on Dec 4, 2017 i/m assy #002252-000 wire harness 002253-000 arm # 002251-000</p> <p>you will need all three</p>					
2	M0238616	SCREW, SMALL	1	EA	
3	K2096449	SHIM-LOWER HINGE 12198501	1	EA	
4	K2096450	SHIM-LOWER HINGE 12198502	1	EA	
5	PC020296	CAM DOOR CLOSURE TOP BLACK	1	EA	
6	PC920032	LOWER HINGE ASSY, RH, DFSB	1	EA	
7	PC920033	LOWER HINGE ASSY, LH, DFSB	1	EA	
8	K2096421	SUB TO PC920135	1	EA	NO LONGER AVAILABLE, Not available online / Call for pricing and availability
9	M0272803	WASHER-LOCK	1	EA	

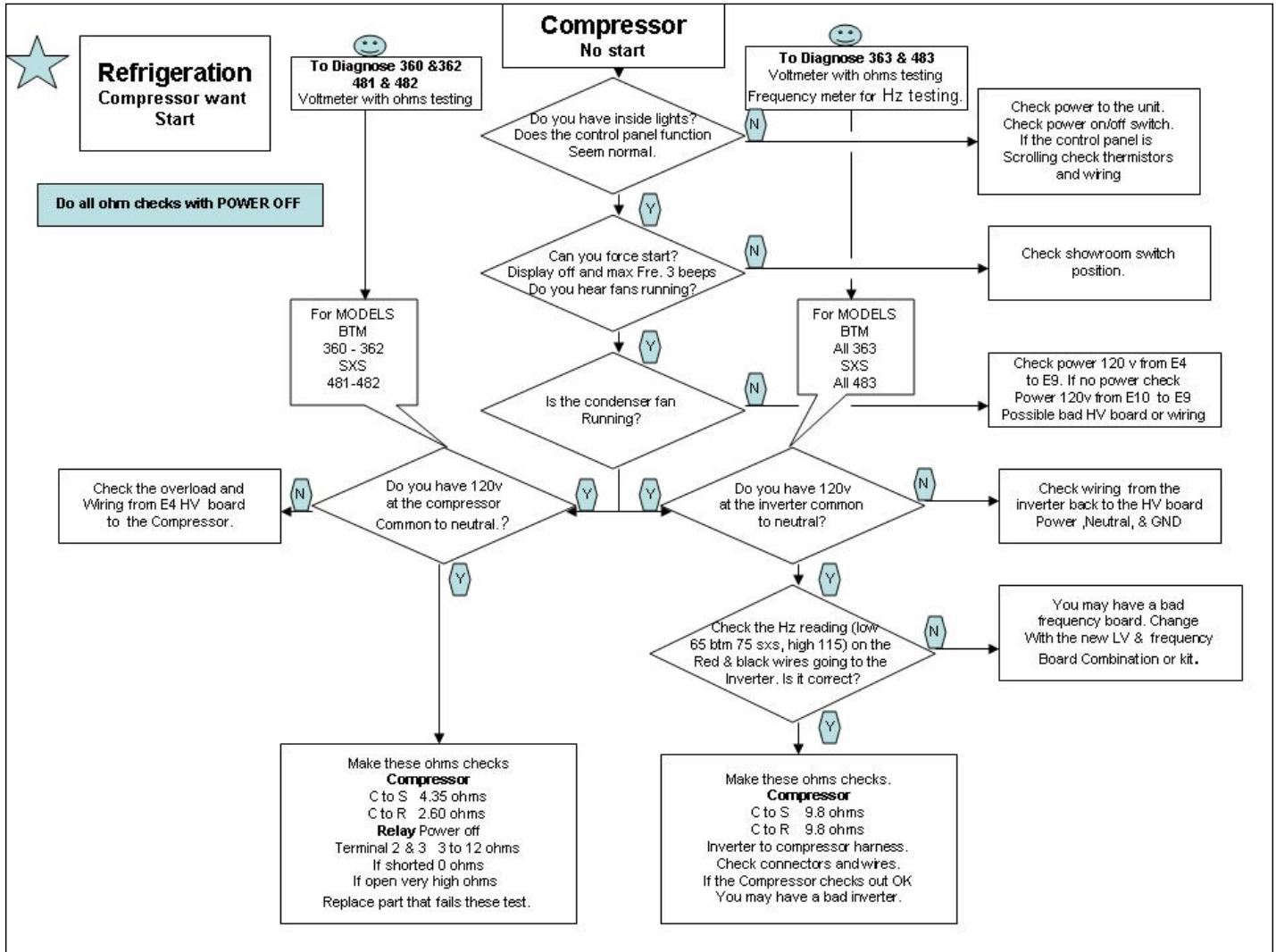




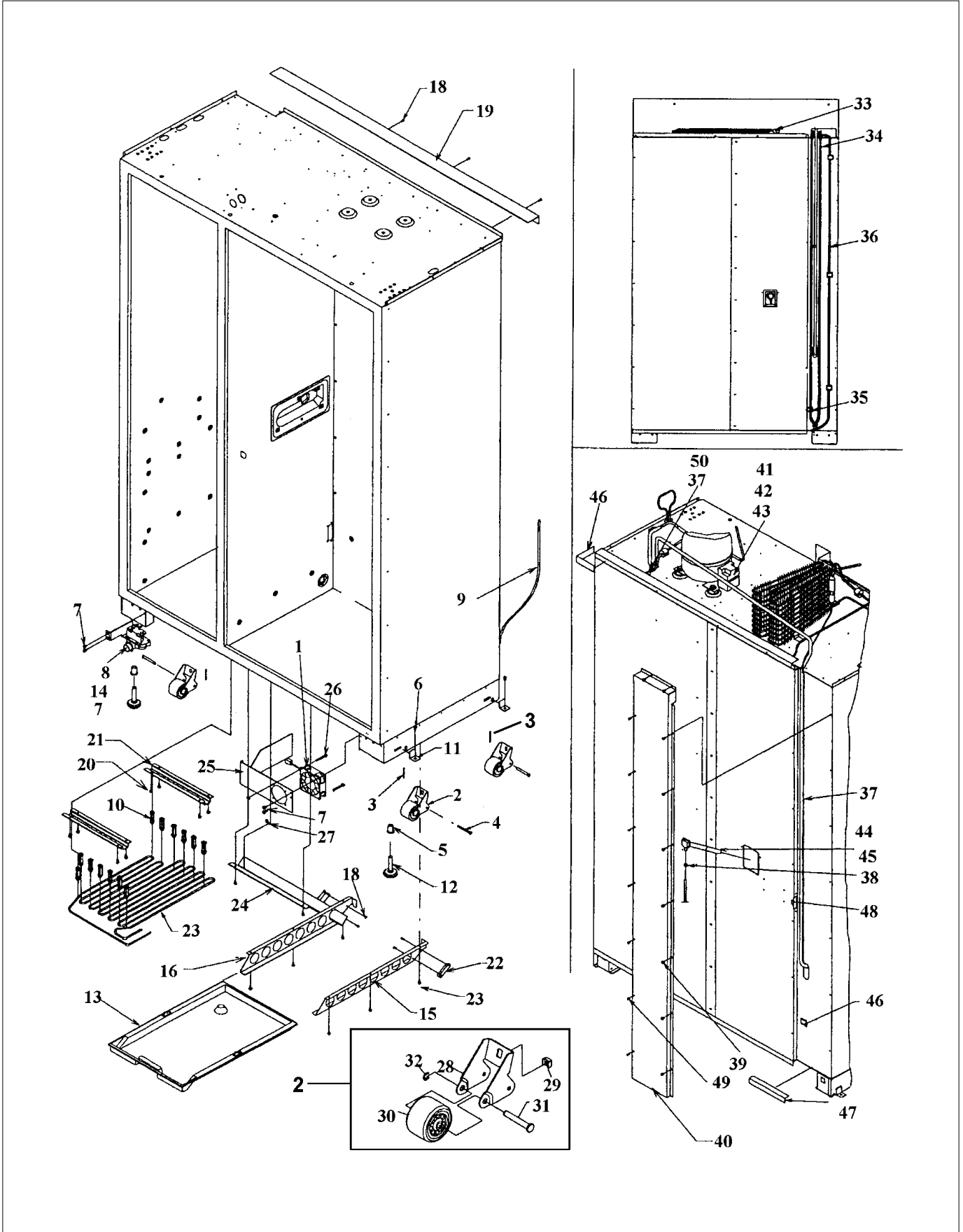


Item	Part No.	Name	Qty	Uom	NOTES
10	M0321202	TIE-ELEC	1	EA	
11	M0204339	SCREW-ADJ ROLLER VM0204339	1	EA	
12	10093305	SCREW-ADJ ROLLER V10093305	1	EA	
13	M0202528	SCREW-MACH #	1	EA	
14	A3127415	EXT-FILL TUBE	1	EA	
15	C9096463WH	ND IM SUPPORT -	1	EA	
16	K2096464	BKT-ND IM 12265501	1	EA	
17	M0238734	SCREW-TF	1	EA	NO LONGER AVAILABLE
18	M0220928	SCREW, SHOULDER	1	EA	
NI	10526701	CLAMP-WIRE V10526701	1	EA	
NI	G5096513	48" TOE GRILLE PACKED ASSY	1	EA	
NI	M0270510	WASHER #	1	EA	
19	019244-000	ACCESSORY, ASM	1	EA	

NO COMPRESSOR

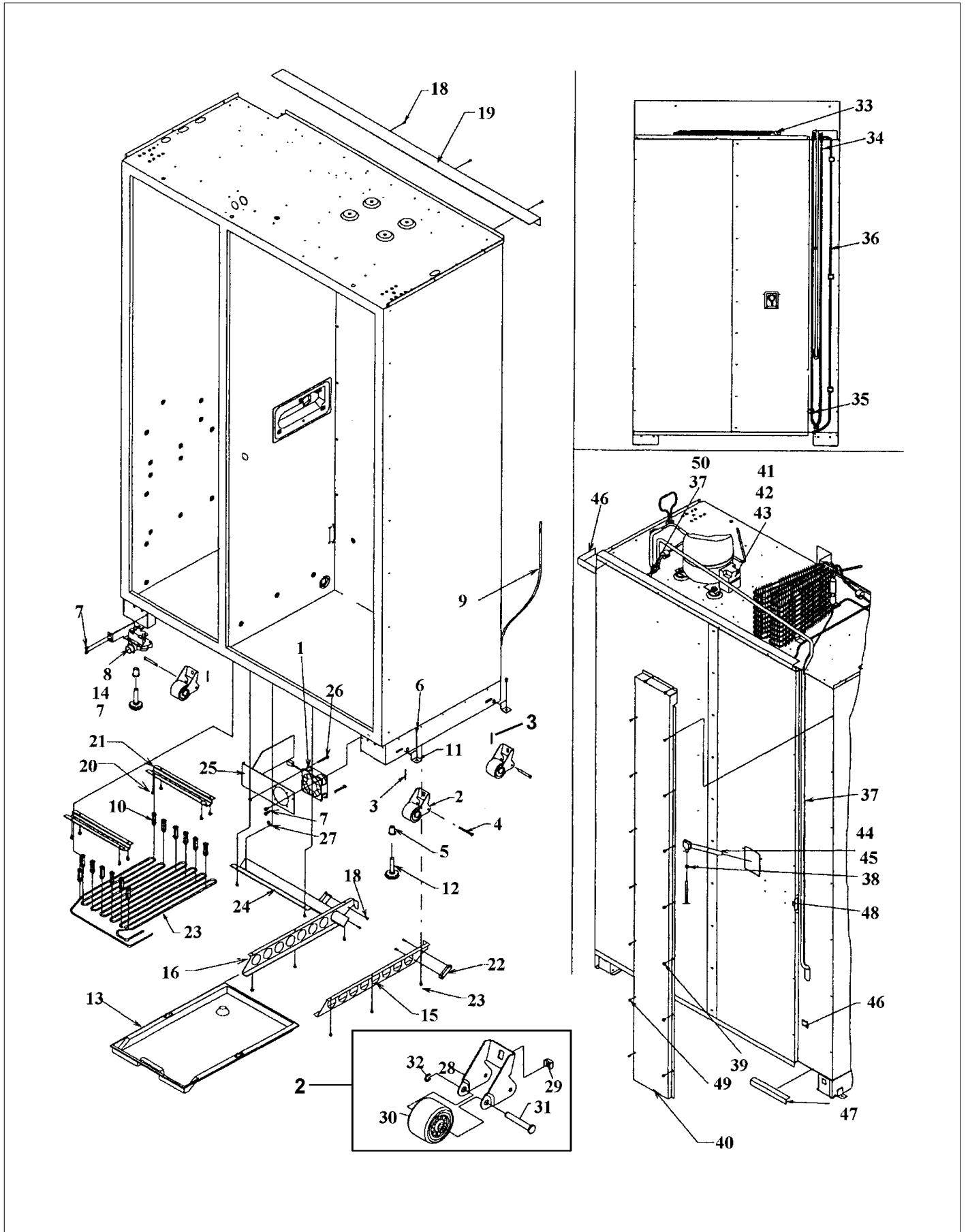


ROLLERS

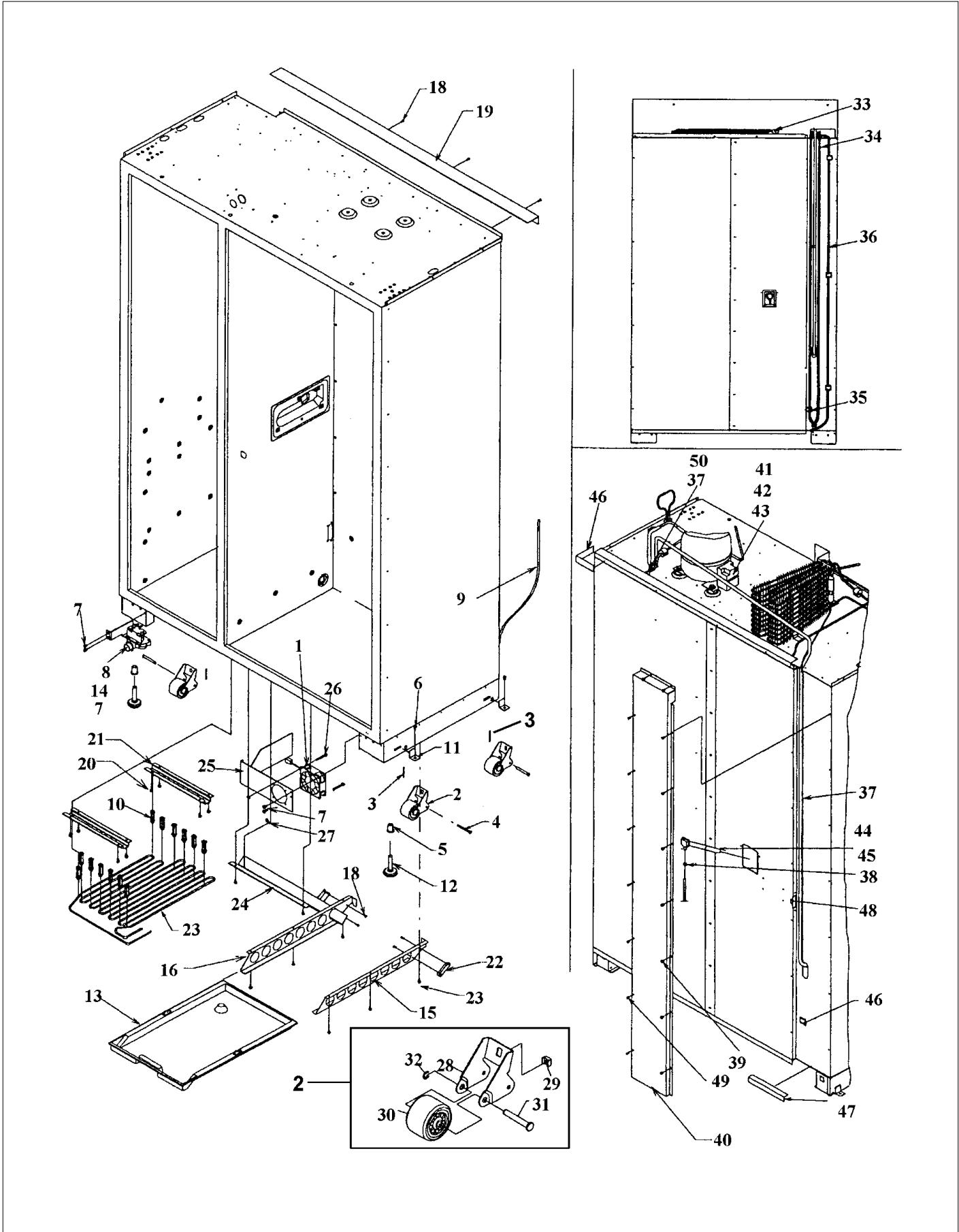




Item	Part No.	Name	Qty	Uom	NOTES
1	004551-000	AXIAL FAN	1	EA	
Comments for Part Num. 004551-000					
gboltz@VikingRange.com on Jul 21, 2016					
View service bulletin TR-0052-SP before ordering fan, if applicable order kit instead of fan					
2	G5096490	SUB TO G5096596	1	EA	NO LONGER AVAILABLE
3	M1200004	PIN-COTTER	1	EA	
4	M1200203	PIN-CLEVIS	1	EA	
5	M0295308	NUT-RIVET VM0295308	1	EA	
6	M0267153	SCREW-MACH VM0267153	1	EA	NO LONGER AVAILABLE, Not available online / Call for pricing and availability
7	M0220417	SCREW-TC	1	EA	
8	G50911821	WATER VALVE KIT	1	EA	
Not Shown	10244906S	WATER VALVE COUPLING	1	EA	
9	PB020302	PLASTIC TUBING-DOOR WATERLINE SXS DISP	1	EA	
10	12071201	CLIP-DRAIN LOOP	1	EA	
11	K2096427	BRKT-SHIPPING 12071102	1	EA	
12	12150601	FOOT-LEVELING V12150601	1	EA	
13	12071301	PAN, DRAIN	1	EA	
14	M0753001	NUT-SLEEVE	1	EA	
15	K2096459	RAIL-PAN 12234701	1	EA	
16	K2096460	RAIL-PAN 12234702	1	EA	
17	A1055101	SPRING-ANTI KINK	1	EA	NO LONGER AVAILABLE
18	A4539601	DAMPER-TUBING .8	1	EA	Not available online / Call for pricing and availability
19	K2096442	SHIELD-POWER CORD 12180503	1	EA	NO LONGER AVAILABLE, Not available online / Call for pricing and availability
20	M0224416	SCREW-SM	1	EA	



Item	Part No.	Name	Qty	Uom	NOTES
21	K2096455	BRKT-SERP. CLIP 12215001	1	EA	NO LONGER AVAILABLE
22	K2096439	ANGLE-DRAIN PAN 12143801	1	EA	
23	F2096550	SERPENTINE DRAIN SXS	1	EA	
24	L2096474	TROUGH-DRAIN REP V12349801	1	EA	
25	12349201	SUB TO K2096473 - BRKT-DC FAN	1	EA	NO LONGER AVAILABLE
26	5149-P	SCREW, MACHINE	1	EA	Not available online / Call for pricing and availability
27	M0280801	NUT-HEX VM0280801	1	EA	Not available online / Call for pricing and availability
28	K2196420	BRACKET, ROLLER	1	EA	Not available online / Call for pricing and availability
29	M0286708	NUT-SPEED	1	EA	
30	12034201	ROLLER-CABINET	1	EA	
31	M1252901	CLEVIS GROOVED	1	EA	
32	M0273801	RING-RETAINING	1	EA	
33	10916507	CORD-POWER 5 SERIES	1	EA	
34	10851312	INSULATION TUBING 70.000	1	EA	Not available online / Call for pricing and availability
35	M0104106	CLIP-CORD VM0104106	1	EA	
36	12527801	HARNESS-FAN MOTOR	1	EA	NO LONGER AVAILABLE, Not available online / Call for pricing and availability
37	M0238616	SCREW, SMALL	1	EA	
38	12115101	CLAMP-TUBE V12115101	1	EA	
39	M0238616	SCREW, SMALL	1	EA	
40	K2096444	COVER-HT EXCHANGE 12187701	1	EA	
41	10377015	OVERLOAD-4TM V10377015	1	EA	
42	10097202	RELAY-PTC V10097202	1	EA	

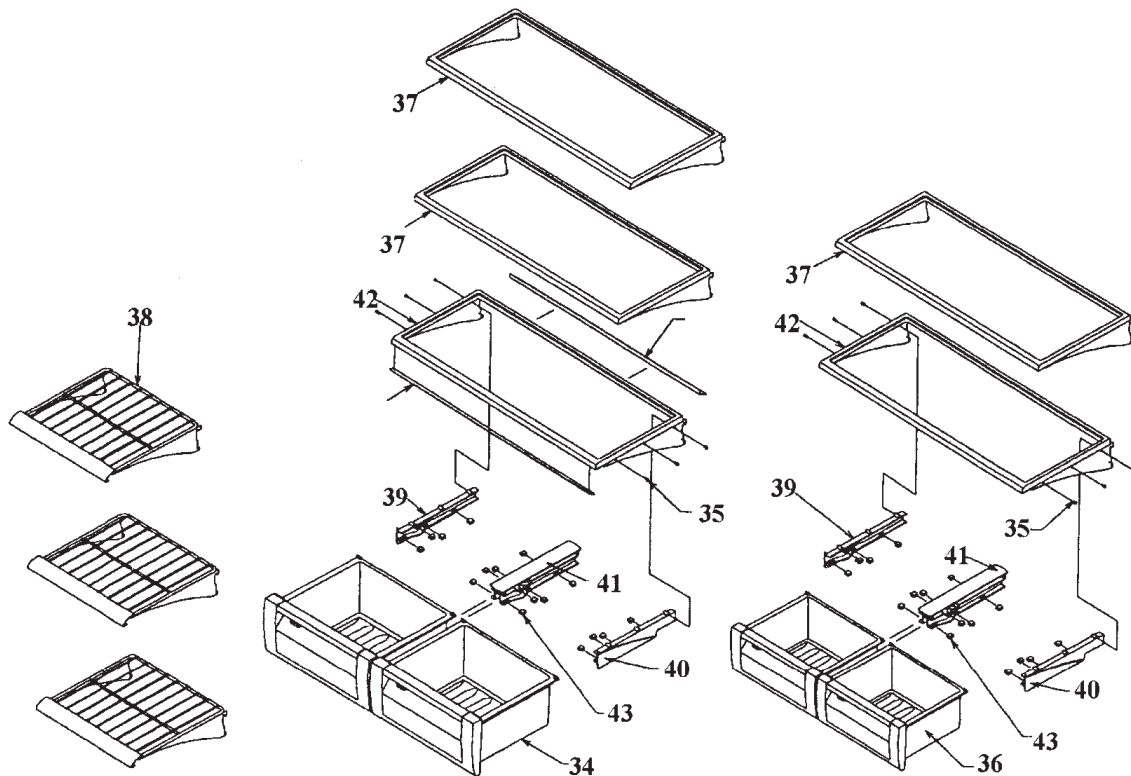
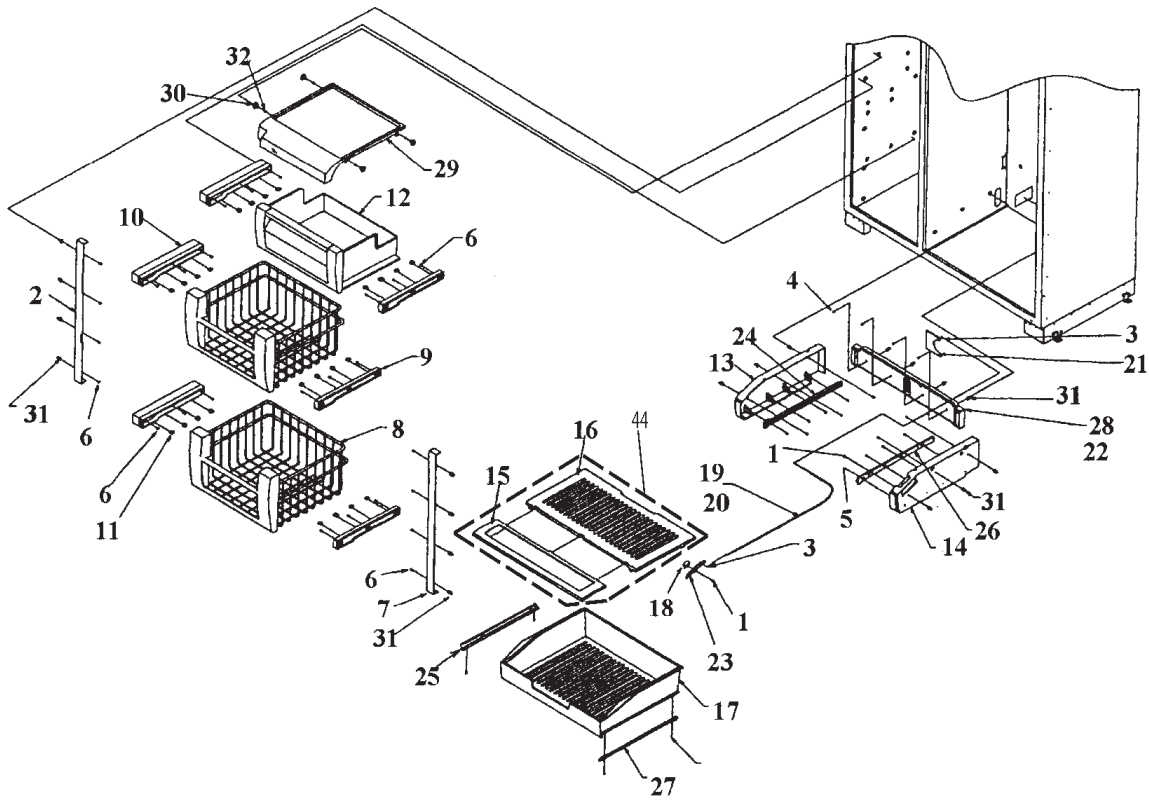




Item	Part No.	Name	Qty	Uom	NOTES
43	10757301	COVER, TERMINAL	1	EA	Not available online / Call for pricing and availability
44	G5096419	FILL TUBE ASSY	1	EA	
Comments for Part Num. G5096419					
bradleysapplianceservice@shaw.ca on May 11, 2018					
This part G5096419 does NOT come with the aluminum tube.					
If aluminum tube is required, order 005899-000 and cut to size.					
45	A3127415	EXT-FILL TUBE	1	EA	
46	M0104106	CLIP-CORD VM0104106	1	EA	
47	A3189370	GASKET-FOAM VA3189370	1	EA	
48	A3189371	GASKET, FOAM	1	EA	Not available online / Call for pricing and availability
49	A4539601	DAMPER-TUBING .8	1	EA	Not available online / Call for pricing and availability

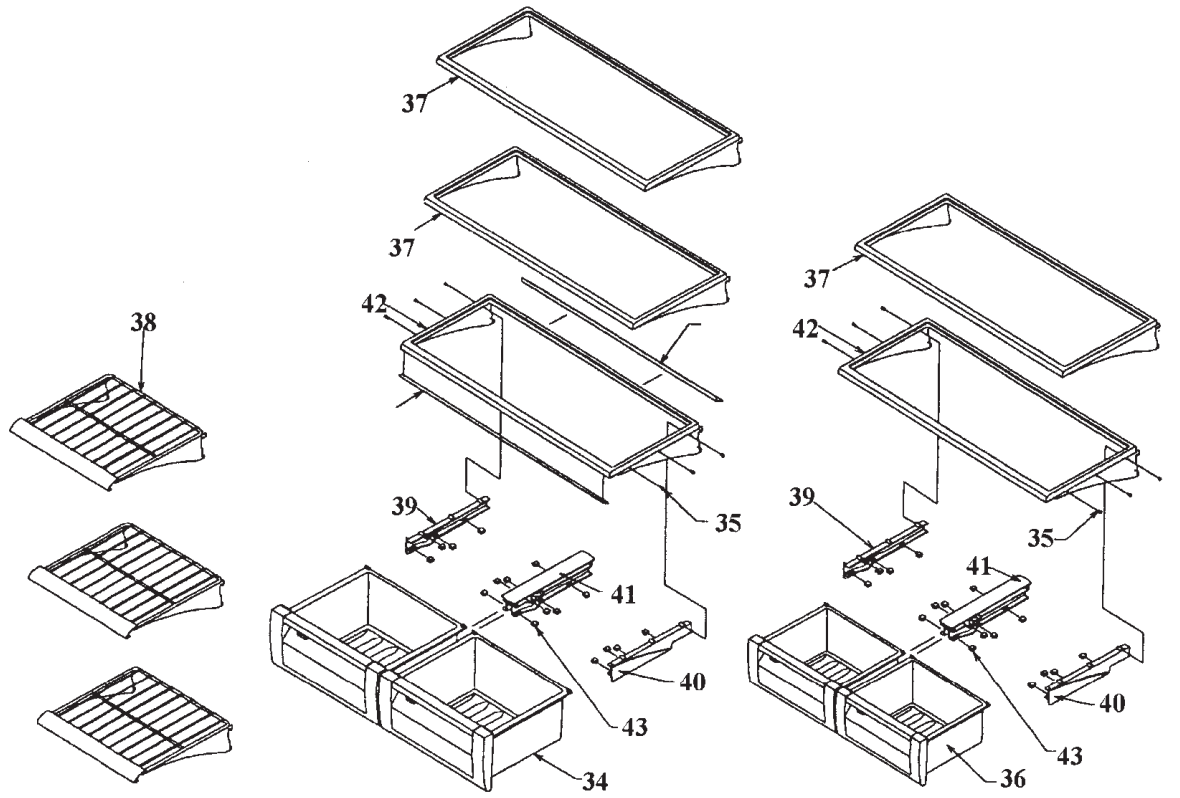
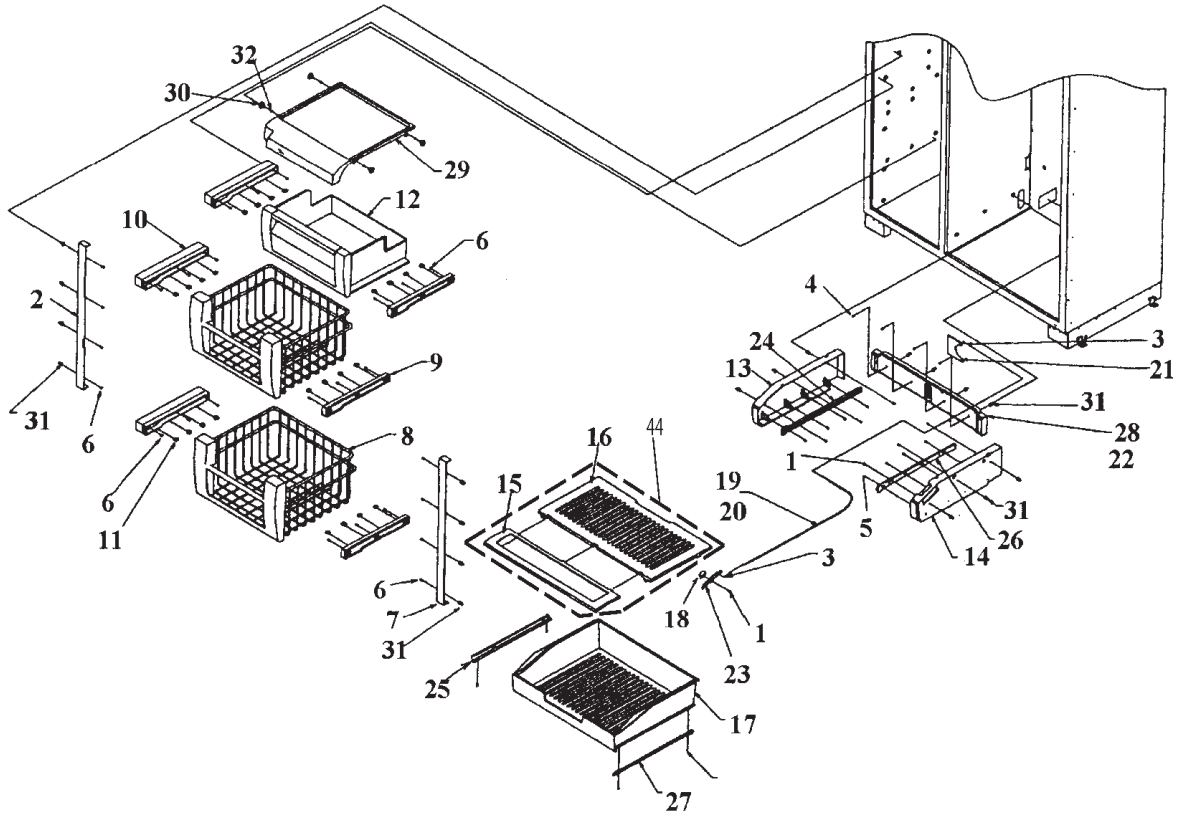


SHELVING



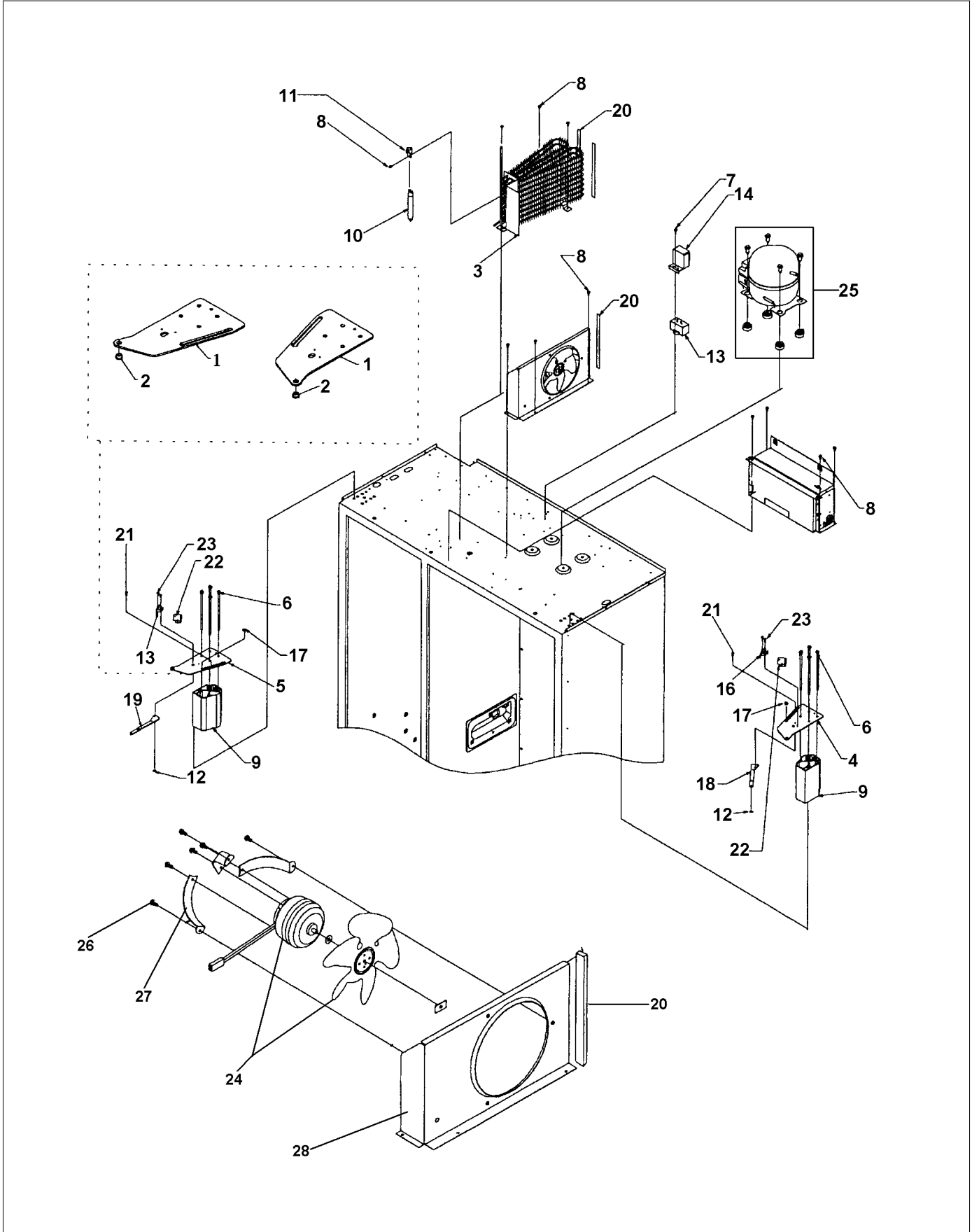


Item	Part No.	Name	Qty	Uom	NOTES
1	M0211018	SCREW-SM	1	EA	
2	12211201	CLOSEOUT-FZ SIDE #	1	EA	NO LONGER AVAILABLE, Not available online / Call for pricing and availability
3	M0213105	SCREW-SM	1	EA	
4	M0213531	SCREW-SM	1	EA	NO LONGER AVAILABLE, Not available online / Call for pricing and availability
5	M0213503	SCREW, SM	1	EA	
6	M0238616	SCREW, SMALL	1	EA	
7	V12304301	CLOSEOUT-FZ SIDE #	1	EA	
8	12210901	FZ BASKET ASSY #	1	EA	NO LONGER AVAILABLE
9	12336301	NLA	1	EA	Not available online / Call for pricing and availability
10	12336201	GLIDE-L FZ #	1	EA	NO LONGER AVAILABLE
11	12064701	PAD-GLIDE V12064701	1	EA	
12	PK930076	ICE PAN ASM SXS 48	1	EA	
13	V12202601	SUPPORT-L DRAWER # - NLA	1	Wholesale Price	NO LONGER AVAILABLE
14	V12073003	SUPPORT-R DRAWER #	1	Wholesale Price	
15	V12223208	DELI LID ASSY 48"/48D	1	Wholesale Price	
Not Shown	NOTE	(MUST ORDER ITEM 44)		EA	
16	12223304	DELI TOP ASSEMBLY	1	EA	
Not Shown	NOTE	(MUST ORDER ITEM 44)		EA	
17	V12073304	DRAWER-DELI 48"/48"Disp	1	Wholesale Price	
18	V12073401	KNOB-DELI CONT	1	Wholesale Price	
19	12073501	TUBE-PLASTIC	1	EA	
20	12073506	TUBE-PLASTIC	1	EA	

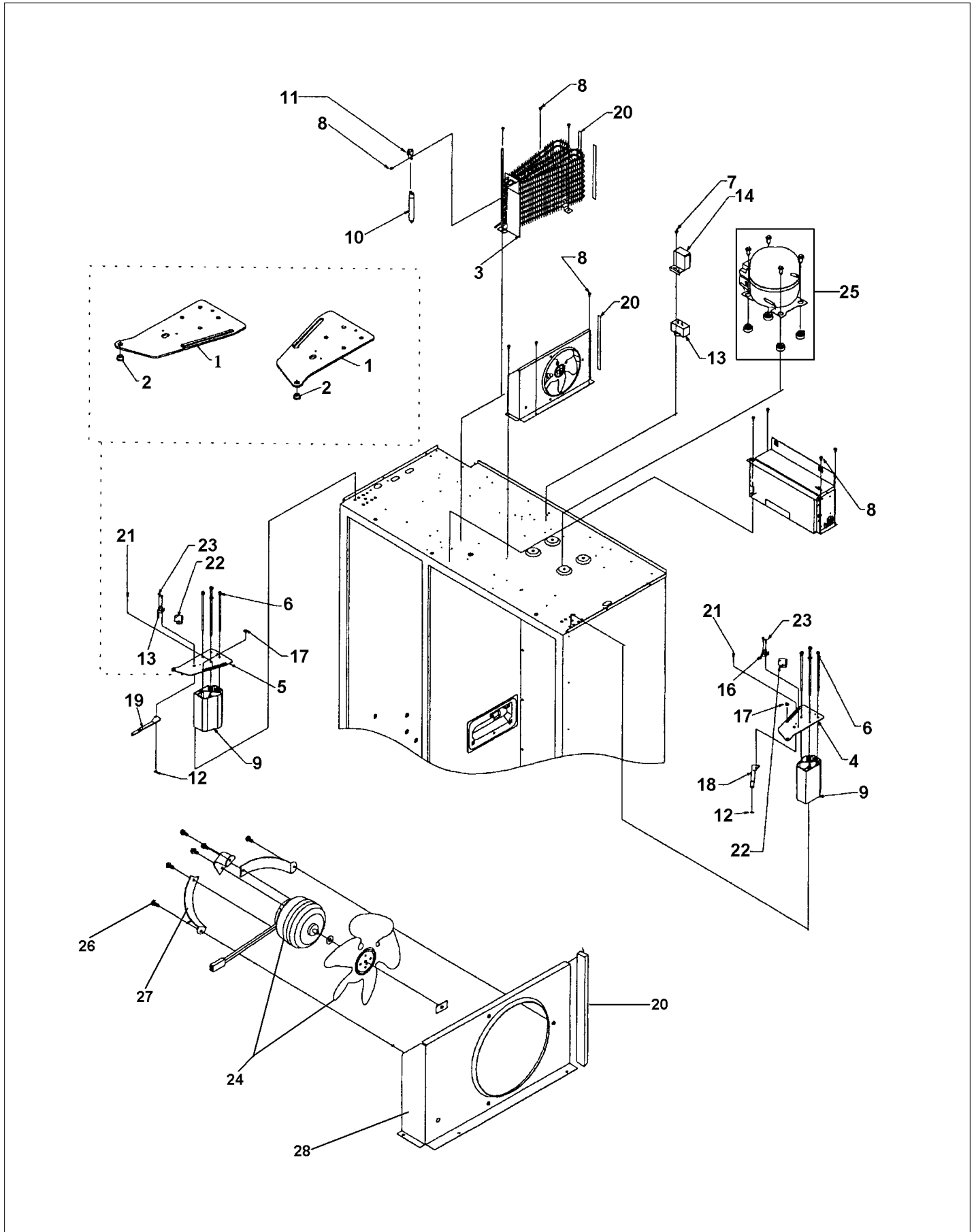


Item	Part No.	Name	Qty	Uom	NOTES
21	V12073601	SLIDE-DELI CONT	1	EA	NO LONGER AVAILABLE
22	V12231201	COVER-AIR CONTROL	1	Wholesale Price	
23	12070501	GLIDE-DELI KNOB # V12070501	1	EA	
24	12073901	GLIDE-L SUPPORT V12073901	1	EA	
25	12073902	GLIDE-L DRAWER V12073902	1	EA	
26	12073903	GLIDE-R SUPPORT V12073903	1	EA	
27	12073904	GLIDE-R DRAWER V12073904	1	EA	
28	12196201	GSKT-CONTROL COVER	1	EA	NO LONGER AVAILABLE
29	V12211001	SHELF, COVER - NLA	1	EA	
30	12258501	SUPPORT-SHELF	1	EA	
31	M0581001	GROMMET-SCREW VM0581001	1	EA	
32	M0211021	SCREW-SM	1	EA	
33	M0237918	SCREW-HI LO	1	EA	NO LONGER AVAILABLE, Not available online / Call for pricing and availability
34	12144302	CRISPER PAN ASSY 48"/48 DISP	1	EA	
35	M0220417	SCREW-TC	1	EA	
36	V12183901	DAIRY DRAWER ASSY 48"/48D	1	Wholesale Price	
37	043624-000	SHELF ASM GLASS 30 AR 48 FF	1	EA	
38	12201901	SHELF-WIRE FZ	1	EA	
39	12064501	GLIDE-LEFT CRISPER	1	EA	
40	12064502	GLIDE-RIGHT CRISPER	1	EA	
41	V12064601	GLIDE-CTR CRISPER #	1	Wholesale Price	
42	12144003	SHELF, CRISPER	1	EA	Not available online / Call for pricing and availability
43	12064701	PAD-GLIDE V12064701	1	EA	
44	000485-000	DELI TOP ASSEMBLY - 48 SXS	1	EA	

TOP HINGES



Item	Part No.	Name	Qty	Uom	NOTES
1	ORDER HINGE ASSY	PLATE, TOP HINGE	1	EA	
2	ORDER HINGE ASSY	BUSHING, HINGE	1	EA	
3	PB920171	CONDENSER ASM	1	EA	
4	PC920034	TOP HINGE ASSY, RH, DFBB, DFSB	1	EA	
5	PC920035	L TOP HINGE ASSY RE V12067805	1	EA	
6	M0206313	SCREW-MACH	1	EA	
7	M0238921	SCREW-SM	1	EA	NO LONGER AVAILABLE
8	M0238616	SCREW, SMALL	1	EA	
9	12067901	EXTRSN-TOP HINGE V12067901	1	EA	
10	PM010616	DRIER - HIGH SIDE	1	EA	
11	10547001	CLIP-DRIER V10547001	1	EA	
12	40370P01	NYLON FLAT WASHER V40370P01	1	EA	
13	C8931608	CAPACITOR	1	EA	
14	10266402	SHIELD-CAPACITOR GRN	1	EA	NO LONGER AVAILABLE, Not available online / Call for pricing and availability
15	003471-000	SWITCH SNAP-ACTION BM 36	1	EA	
16	G50911866	LIGHT CUT OFF SERVICE KIT	1	EA	
17	12348701	BUMPER-DOOR STOP V12348701	1	EA	
18	PC920069	ARM, DOOR STOP, LH DFBB/SB	1	EA	
19	PC920067	ARM, DOOR STOP, RH	1	EA	
20	A3189370	GASKET-FOAM VA3189370	1	EA	
21	M0220942	SCREW-SHLDR	1	EA	
22	12140701	COVER-SWITCH V12140701	1	EA	
23	M0234005	SCREW-TF	1	EA	
24	G5096494	COND. FAN ASSY	1	EA	
25	038630-000	COMPRESSOR REPLACEMENT KIT	1	EA	
26	M0223816	SCREW-TR	1	EA	NO LONGER AVAILABLE

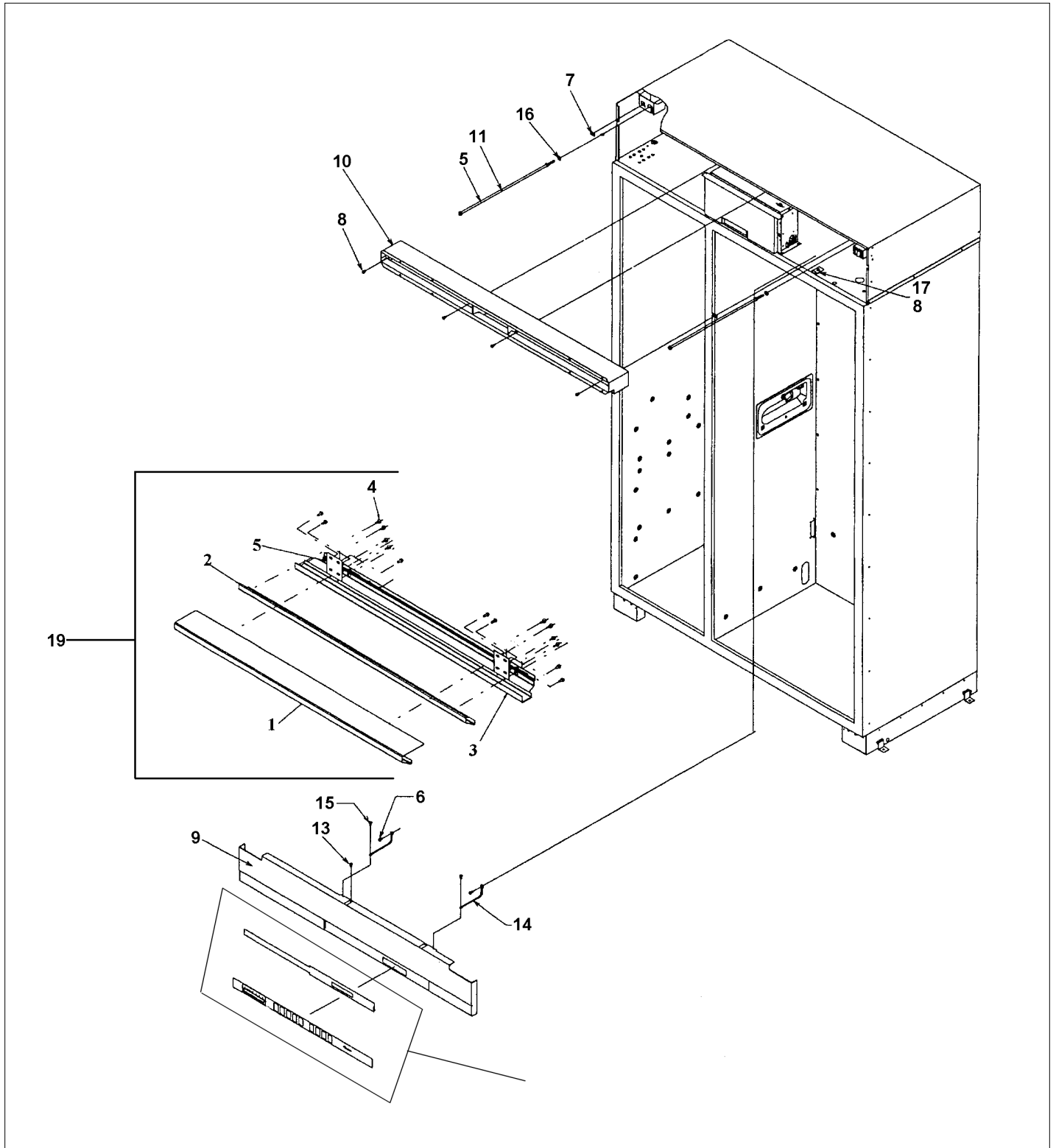




Item	Part No.	Name	Qty	Uom	NOTES
27	10582501	BRKT-COND MTR V10582501	1	EA	
28	K2196428	SHROUD, CONDENSER FAN	1	EA	Not available online / Call for pricing and availability
NI	M0104106	CLIP-CORD VM0104106	1	EA	
NI	M0232903	SCREW-SE	1	EA	NO LONGER AVAILABLE
NI	M0211018	SCREW-SM	1	EA	
NI	M0234030	SCREW-TR	1	EA	NO LONGER AVAILABLE



UPPER GRILLE





Item	Part No.	Name	Qty	Uom	NOTES
1	PM910074	GRILL TOP		EA	NO LONGER AVAILABLE
2	PM910076	GRILLE MIDDLE 48 SXS		EA	
3	PM910078	GRILL BOTTOM		EA	NO LONGER AVAILABLE
4	A4539601	DAMPER-TUBING .8		EA	Not available online / Call for pricing and availability
5	M0223603	SCREW-LAG		EA	
6	M0238846	SCREW-SHLDR		EA	
7	M0288120	NUT-SPEED VM0288120		EA	
8	M0238616	SCREW, SMALL		EA	
9	12210301	COVER, CONTROL PANEL		EA	Not available online / Call for pricing and availability
10	G9096487BK	AIR DUCT WELD ASSY		EA	
11	PE950172	OVERLAY SWITCH SXS 48 NON - DISP		EA	
13	M0224128	SCREW-SM		EA	
14	12064001	SUPP-CONT PANEL		EA	
15	A4539601	DAMPER-TUBING .8		EA	Not available online / Call for pricing and availability
16	M0270510	WASHER #		EA	
17	12414701	BRKT-CONT COVER		EA	NO LONGER AVAILABLE
18	12349301	BEARING-SLEEVE V12349301		EA	
19	016178-000	GRILLE ASSY 48" EXTRUDED (48" TRIM)		EA	
#	M0215318	SCREW-SM		EA	



Appendix A:Pages Index

CONTROL ASSY ..... 1  
DOOR ASSY ..... 2  
EVAP AREA ASSY ..... 3  
LADDERS ..... 4  
LOWER HINGES ..... 5  
NO COMPRESSOR ..... 6  
ROLLERS ..... 7  
SHELVING ..... 8  
TOP HINGES ..... 9  
UPPER GRILLE ..... 10



Appendix B:Parts Index

000485-000	8	12073501	8
000953-000	4	12073506	8
001943-000	2	12073901	8
001954-000	2	12073902	8
002670-000	1	12073903	8
003471-000	9	12073904	8
004528-000	4	12074501	4
004551-000	4, 7	12074601	4
005319-000	1	12074701	4
013112-000	4	12074702	4
016178-000	10	12074703	1
019244-000	5	12074704	4
036886-000	2	12096901	4
038630-000	9	12102501	4
043624-000	8	12115101	7
058966-000	3	12116203	2
10093305	5	12116303	2
10097202	7	12117201	1
10244906S	7	12118901	4
10266402	9	12128001	2, 2
10270101	4	12135402	4
10270203	4	12140701	9
10281601	4	12144003	8
10377015	7	12144302	8
10526701	5	12150601	7
10544502	1	12184401	4
10547001	9	12184501	4
10582501	9	12184901	4
10757301	7	12188001	2
10851312	7	12192901	2
10916507	7	12196201	8
12034201	7	12201901	8
12064001	10	12203701	4
12064501	8	12210301	10
12064502	8	12210901	8
12064701	8, 8	12211201	8
12067901	9	12223304	8
12070501	8	12230901	4
12071201	7	12257901	4
12071301	7	12258501	8
		12336201	8



12336301	8	K2096449	5
12348701	9	K2096450	5
12349201	7	K2096455	7
12349301	10	K2096456	3
12414701	10	K2096457	3
12527801	7	K2096458	3
40370P01	9	K2096459	7
5149-P	7	K2096460	7
A1055101	7	K2096461	3
A3127415	5, 7	K2096464	5
A3189370	7, 9	K2096475	4
A3189371	7	K2096648	2
A4539601	1, 4, 7, 7, 10, 10	K2096650	2
A4554817	1	K2096651	2
B5733302	4	K2097709	1
C8931608	9	K2196420	7
C8983701	3, 4	K2196428	9
C9096416BK	4	L2096422	4
C9096463WH	5	L2096443	4
F2096550	7	L2096451	3
G3096496	4	L2096452	3
G50911821	7	L2096474	7
G50911858	5	M0104106	1, 7, 7, 9
G50911866	9	M0108201	4
G5096419	7	M0202528	2, 2, 5
G5096490	7	M0204339	5
G5096494	9	M0206313	9
G5096513	5	M0211018	8, 9
G5098660	3	M0211021	8
G5099989	2	M0213105	8
G9096487BK	10	M0213503	8
J5096505	2	M0213531	8
J5096506	2	M0215318	10
K2096421	5	M0218136	4
K2096427	7	M0218137	4
K2096429	1	M0220417	4, 7, 8
K2096430	1	M0220928	5
K2096431	1	M0220942	9
K2096439	7	M0221913	4
K2096442	7	M0223603	10
K2096444	7	M0223816	1, 9



M0224128	10	PC920049	2
M0224416	7	PC920067	9
M0226233	2, 2	PC920069	9
M0232903	4, 9	PD020013	1
M0234005	9	PE030166	2
M0234030	9	PE030166PVD	2
M0237918	8	PE950149	4
M0238535	4	PE950172	10
M0238616	1, 4, 5, 7, 7, 8, 9, 10	PE970464	1
M0238734	5	PE970609	1
M0238846	4, 10	PK930076	8
M0238921	9	PK930150	3
M0267153	7	PK930253	4
M0270510	5, 10	PM010616	9
M0272803	2, 5	PM910074	10
M0273801	7	PM910076	10
M0280801	7	PM910078	10
M0286708	7	PM910085	4
M0288120	1, 4, 10	PM910086	4
M0295308	7	PM910097	2
M0321202	4, 5	PM910098	2
M0580007	4	PM910107	2
M0581001	4, 4, 8	PM910206	3
M0585504	1	V10428101	3
M0585506	1	V10428411	3
M0753001	7	V10527401	3
M1200004	7	V10623003	3
M1200203	7	V10851306	3
M1252901	7	V12064601	8
M6096628	2, 2	V12073003	8
PB020302	7	V12073304	8
PB920155	3	V12073401	8
PB920171	9	V12073601	8
PC020296	2, 2, 5	V12183901	8
PC920032	5	V12202601	8
PC920033	5	V12203602	2
PC920034	9	V12211001	8
PC920035	9	V12223208	8
PC920043	2	V12231201	8
PC920045	2	V12231701	3
PC920047	2	V12233801	3



V12304301 .....	8
VA3030303 .....	3
VA3030361 .....	3
VA3189368 .....	3
VA3189370 .....	3
VC3680309 .....	3
VM0232903 .....	3, 3
VM0232929 .....	3
VM0238616 .....	3
VM0238859 .....	3