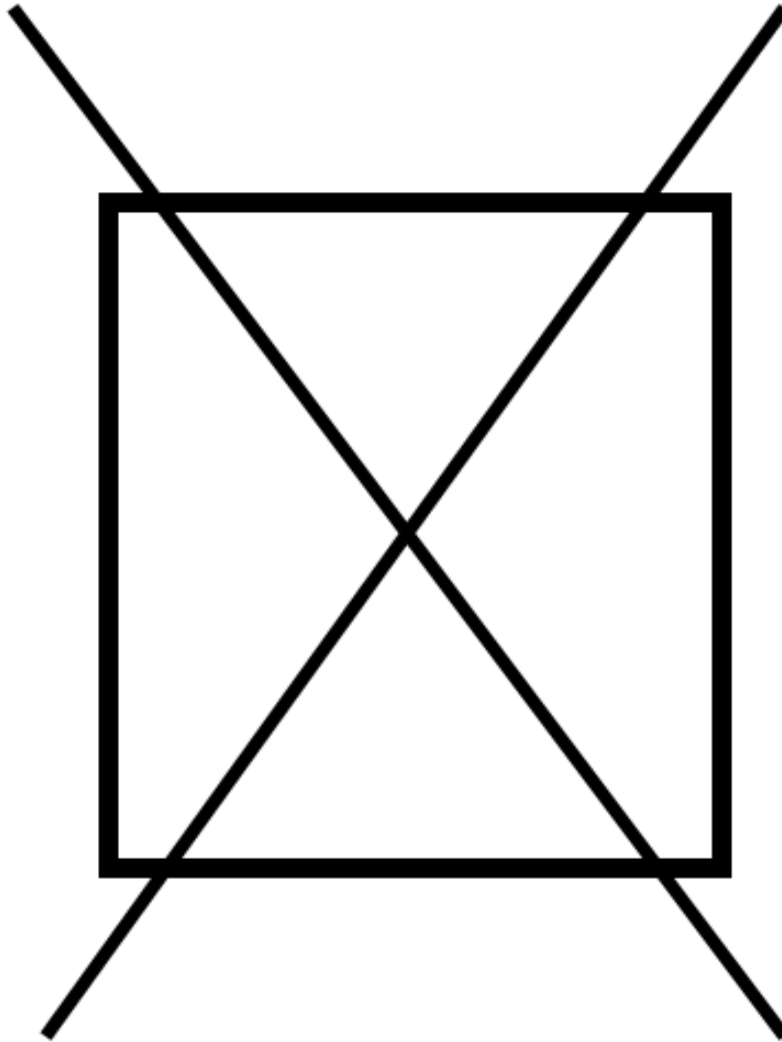


# **DFSB423DJMAG-RSERIES**

040066-000 HARNESS JUMPER LOWER .....	1
040078-000 HARNESS, JUMPER, DIS .....	2
040085-000 HARNESS, MAIN .....	3
10916507 POWER CORD .....	4
CONTROL AREA .....	5
CONVERTIBLE MEAT SAVER .....	6
DELI DRAWER .....	7
DISPENSER AREA .....	8
EVAPORATOR AREA .....	9
FREEZER COMPARTMENT .....	10
FREEZER DOOR FOAM AREA .....	11
FREEZER SHELVING .....	12
ICE MAKER AREA .....	13
LOWER UNIT AREA .....	14
MC COVER AND GRILLE AREA .....	15
PE070785 HIGH VOLT HARNESS .....	16
PE970464 LOW VOLT HARNESS .....	17
PE970595 MACHINE HARNESS .....	18
PE970609 CONTROL BOARD HARNESS .....	19
PRODUCE DRAWER .....	20
REFRIGERANT SYSTEM .....	21
REFRIGERATOR COMPARTMENT .....	22
REFRIGERATOR DOOR FOAM AREA .....	23
REFRIGERATOR SHELVING .....	24
UNIT EXTERIOR .....	25
UPPER UNIT AREA .....	26
WATER SYSTEM .....	27
Appendix A:Pages Index .....	A
Appendix B:Parts Index .....	B



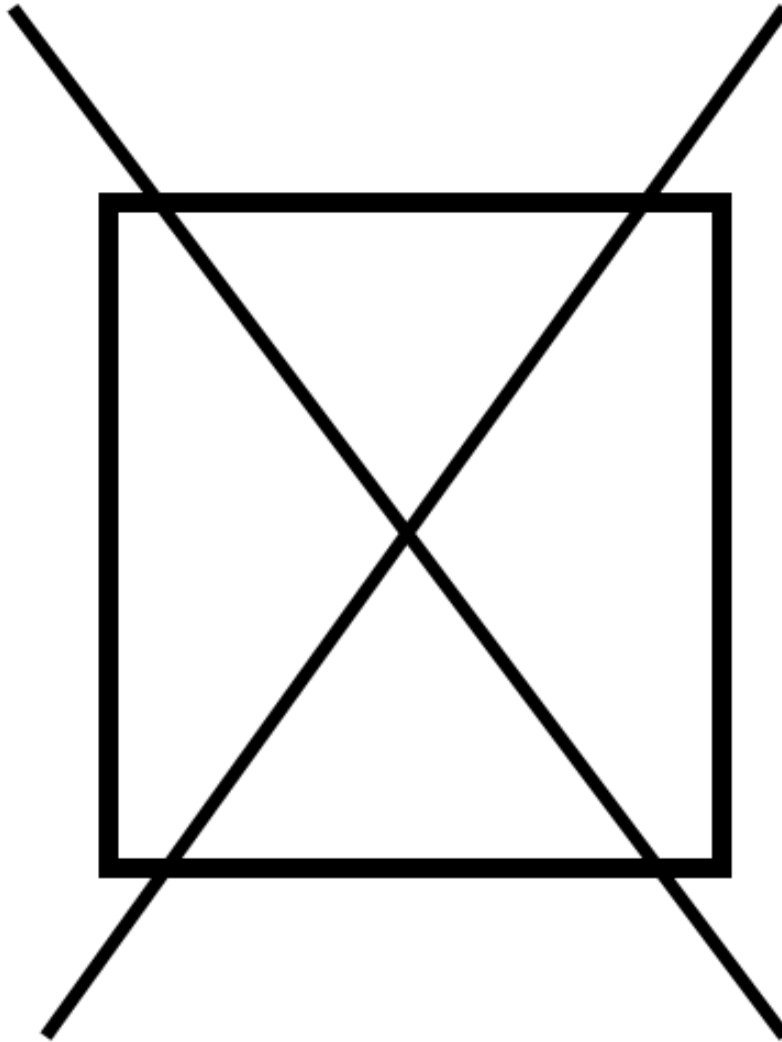
NON  
ILLUSTRATED PART





Item	Part No.	Name	Qty	Uom	NOTES
1	040066-000	HARNESS JUMPER LOWER	1	EA	

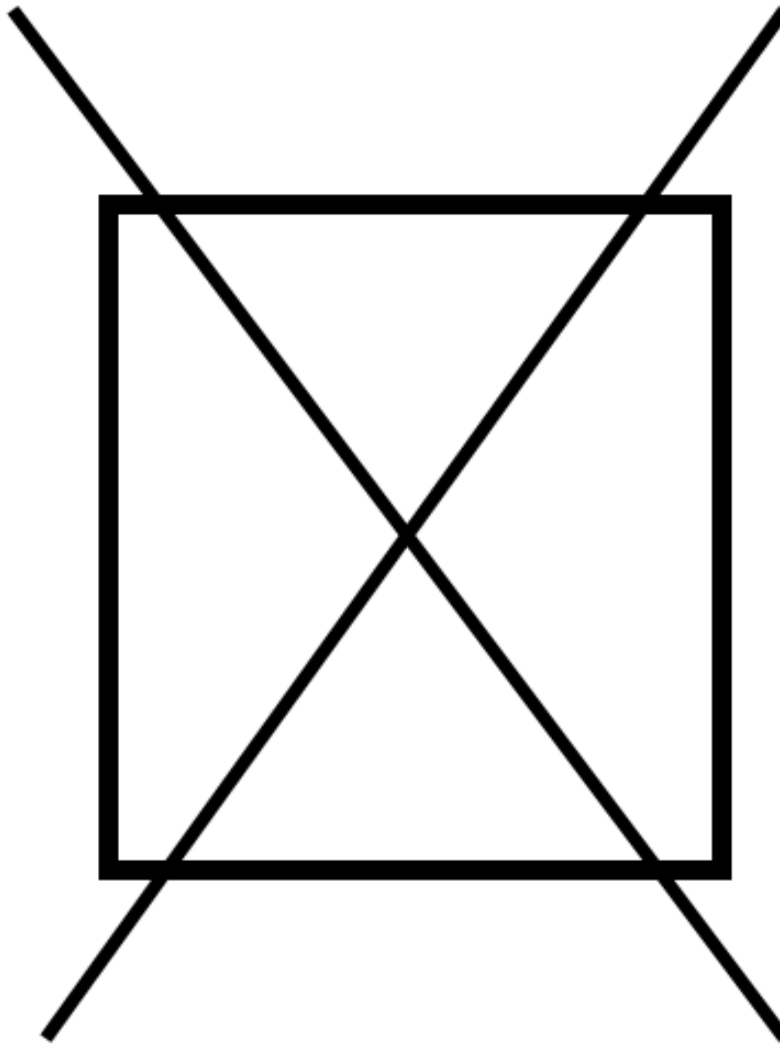
NON  
ILLUSTRATED PART





Item	Part No.	Name	Qty	Uom	NOTES
1	040078-000	HARNESS, JUMPER DISP CAVITY	1	EA	

NON  
ILLUSTRATED PART



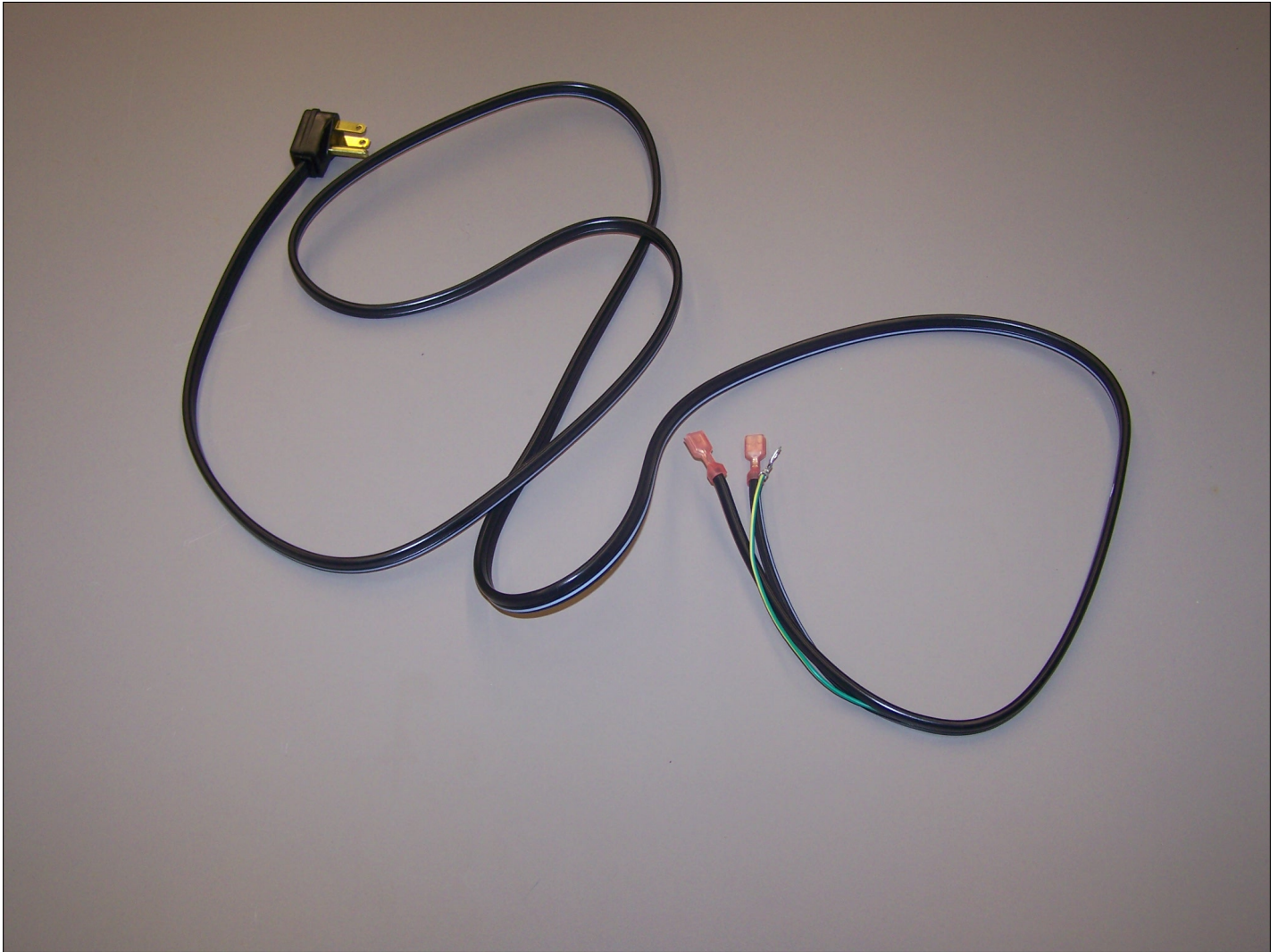




Item	Part No.	Name	Qty	Uom	NOTES
1	043051-000	Door Harness	1	EA	



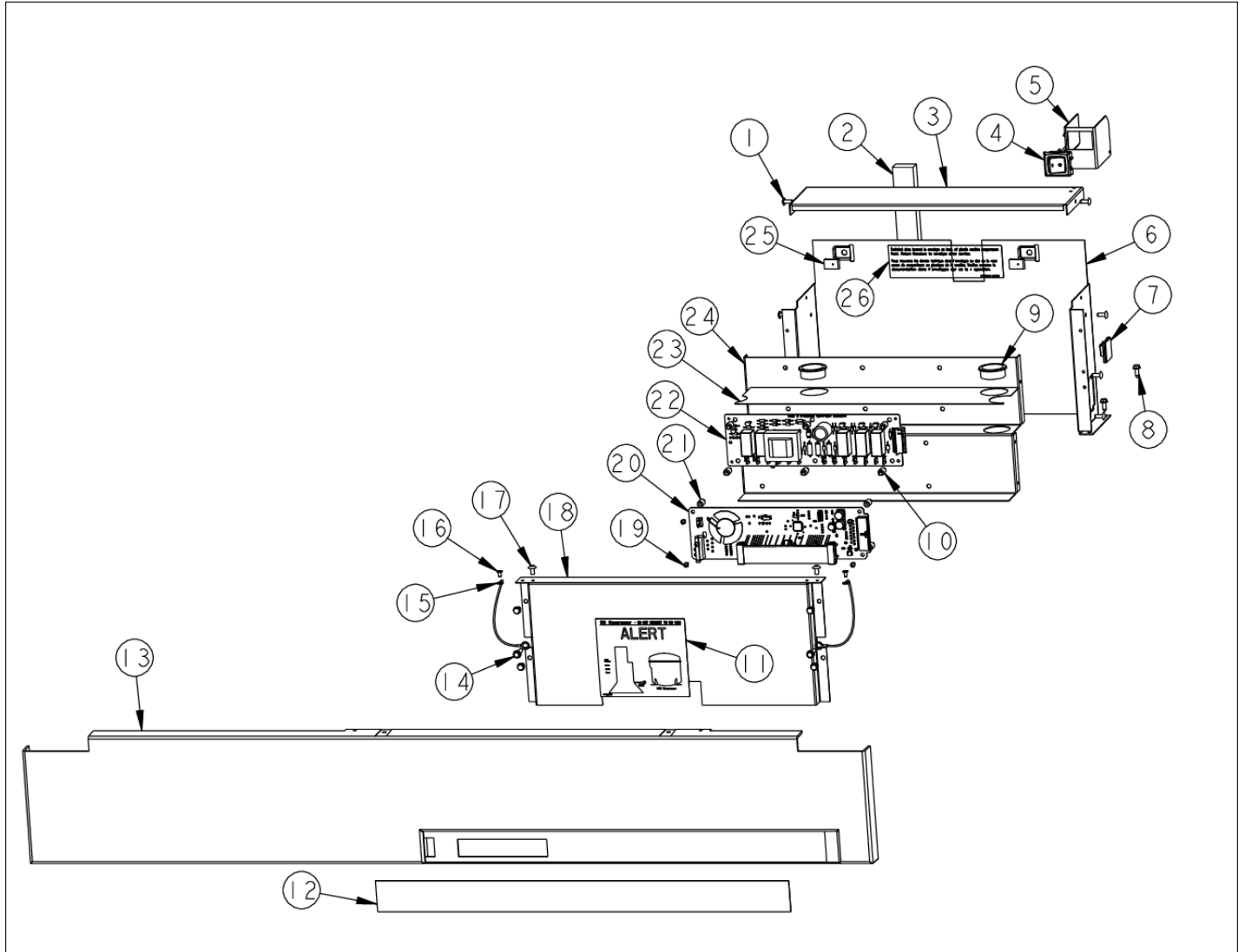
10916507 POWER CORD





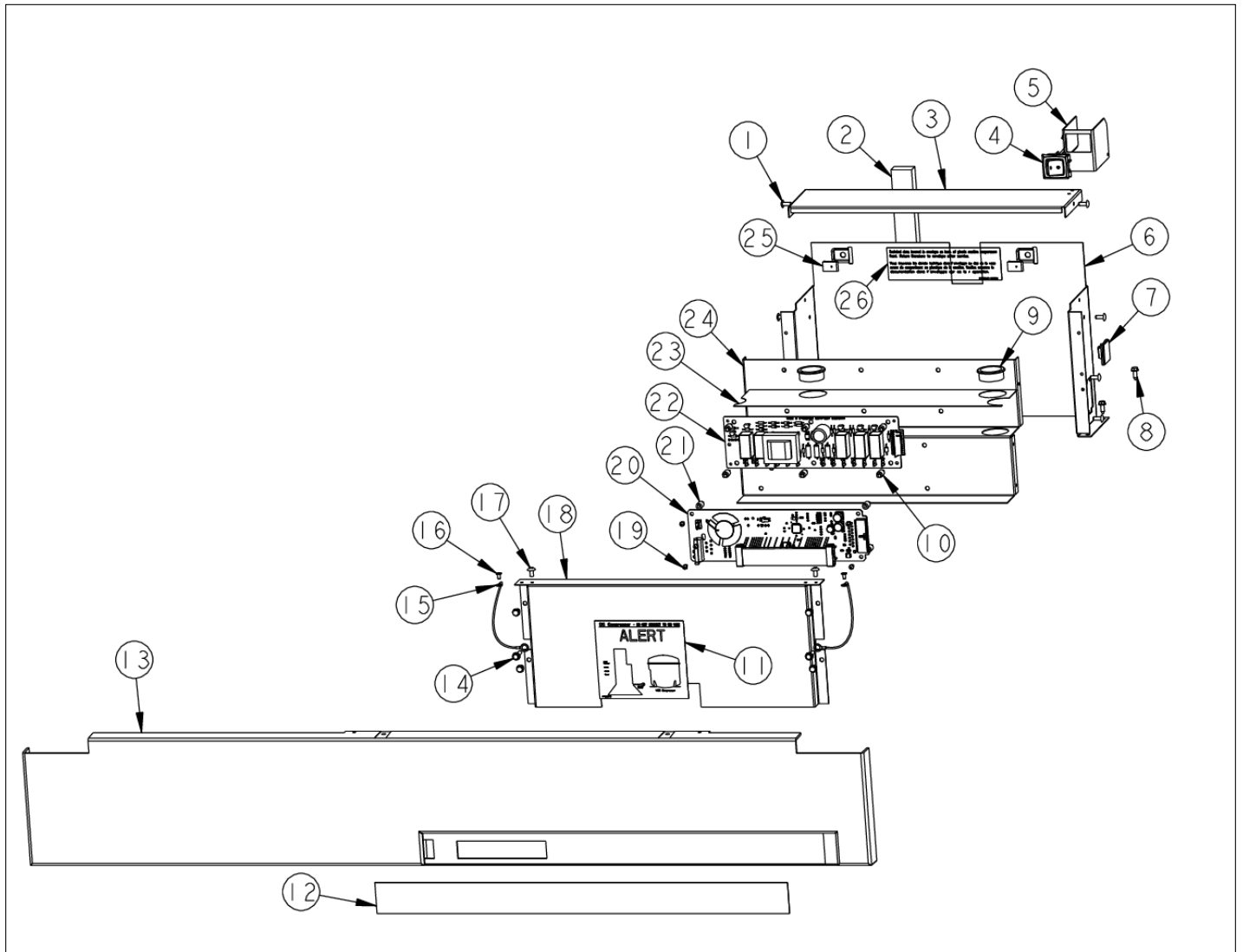
Item	Part No.	Name	Qty	Uom	NOTES
1	10916507	CORD-POWER 5 SERIES	1	EA	

CONTROL AREA





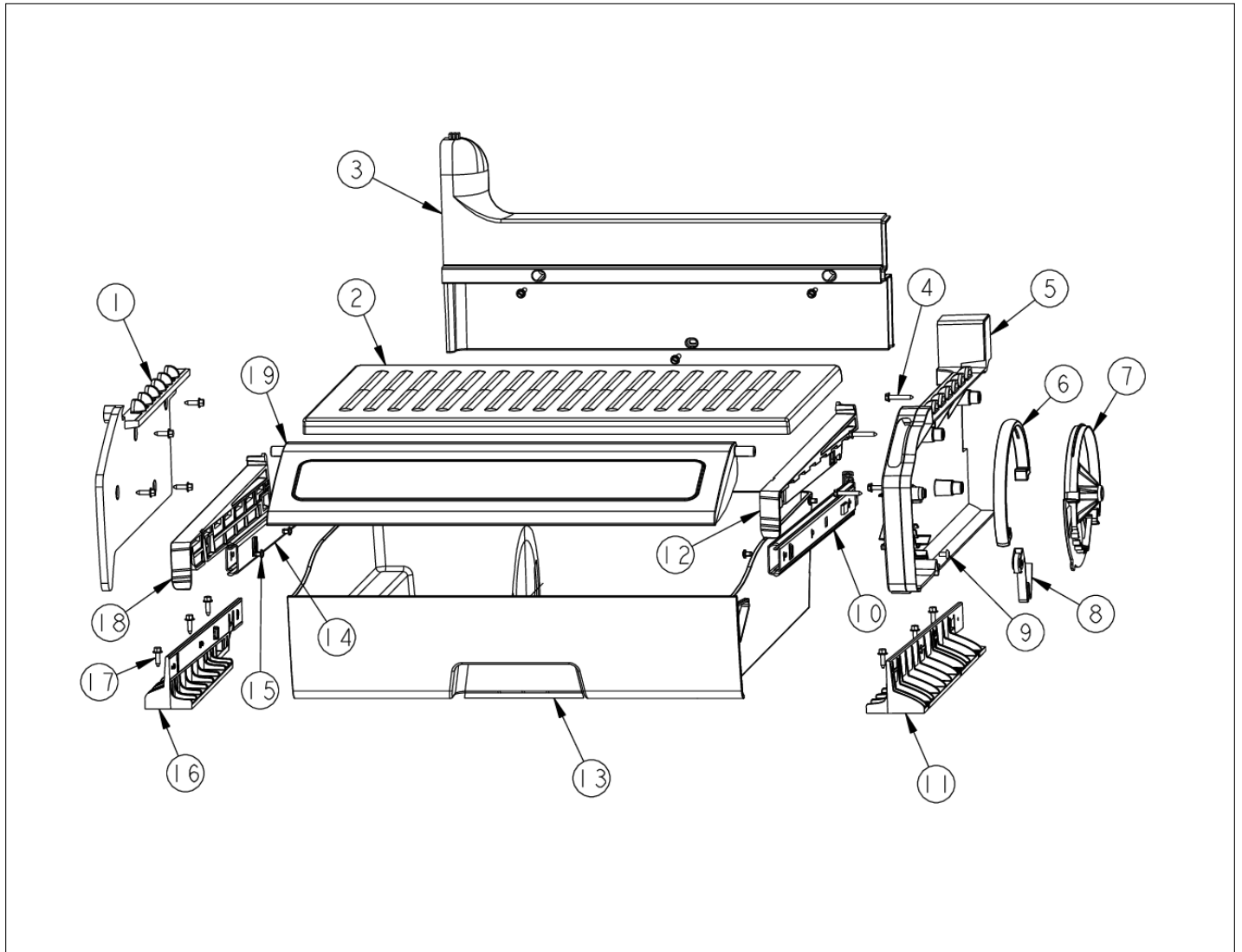
Item	Part No.	Name	Qty	Uom	NOTES
1	PC040010	POP RIVET (.063/GR -.125) GAMD42-A		EA	
2	A3030361	GASKET RED		EA	
3	K2091500	CONTROL BOX TOP		EA	Not available online / Call for pricing and availability
4	PE950149	SWITCH POWER		EA	
5	K2098654	Bracket, Power Switch		EA	
6	K2099402	CONTROL BOX		EA	
7	M0104106	CLIP-CORD VM0104106		EA	
8	PD020194	SCREW-SM		EA	
9	A4554817	BUSHING-SNAP VA4554817		EA	
10	M0585504	SUPPORT		EA	
11	PF930672	LABEL DC COMPRESSOR		EA	
12	PE950159	SWITCH, KEYBOARD		EA	
13	PK930230	Control Panel		EA	
14	M0238846	SCREW-SHLDR		EA	
15	12064001	SUPP-CONT PANEL		EA	
16	PC040010	POP RIVET (.063/GR -.125) GAMD42-A		EA	
17	M0224128	SCREW-SM		EA	
18	K20910061	CONTROL BOX FRONT		EA	
19	PD020013	TYPE "AB" #6 X 3/8 PH PAN HD. SMS		EA	
20	PE070728	BOARD LOW VOLTAGE		EA	
<p>Comments for Part Num. PE070728</p> <p>bradleysapplianceservice@shaw.ca on Apr 27, 2016            COULD ALSO USE: 002670-000 LOW VOLTAGE BOARD KIT ANALOG - INCLUDES WIRE HARNESS</p>					
21	M0585506	SUPPORT		EA	
22	005319-000	POWER CONTROL BOARD ASM 5 SERIES		EA	
<p>Comments for Part Num. 005319-000</p> <p>boltz on Apr 12, 2018            See TR-0056-SP Bulletin</p>					





Item	Part No.	Name	Qty	Uom	NOTES
23	PM910325	FILM, PROTECTIVE		EA	
24	K20910060	BRACKET - PC		EA	
25	M0288120	NUT-SPEED VM0288120		EA	
26	PF930487	TECH LITERATURE LABEL - 2		EA	

CONVERTIBLE MEAT SAVER

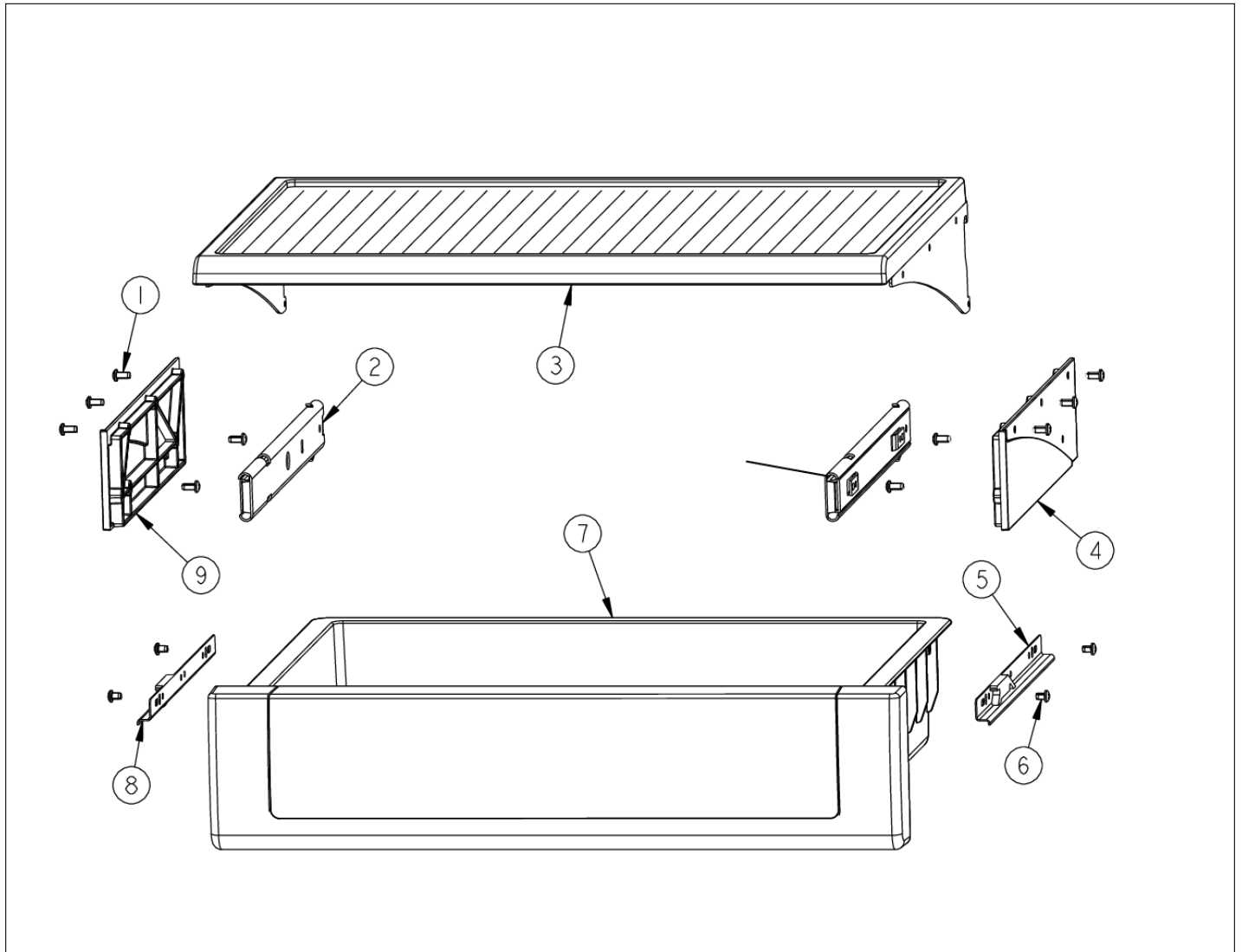






Item	Part No.	Name	Qty	Uom	NOTES
1	PK930170	DUCT MEAT SAVOR SXS 42 L	1	EA	
2	PK930120	SHELF MEAT SAVOR SXS 42	1	EA	
3	PK930171	DUCT MEAT SAVOR SXS 42 REAR	1	EA	
4	M0211021	SCREW-SM	1	EA	
5	044232-000	DUCT MEAT SAVOR (R)	1	EA	
6	PK930172	COVER CONTROL MEAT SAVOR	1	EA	
7	044384-000	DIAL CONTROL MEAT SAVOR	1	EA	
8	PM910334	ROLLER TENSION	1	EA	
9	M0224128	SCREW-SM	1	EA	
10	PM910287	SLIDE MEAT SAVOR R	1	EA	
11	PK930173	SUPPORT SLIDE MEAT SAVOR SXS 42/48 R	1	EA	
12	PK930175	SUPPORT DRAWER MEAT SAVOR SXS 42/48 R	1	EA	
13	PK930114	DRAWER MEAT SAVOR SXS 42	1	EA	
14	PM910288	SLIDE MEAT SAVOR L	1	EA	
<p>Comments for Part Num. PM910288</p> <p>profixappliances@gmail.com on May 3, 2017</p> <p>ITEM # 5 SHOULD BE PK930288-DOOR MEATSAVOR ASM AR/BM 36</p>					
15	PD920162	SCR 8-16 PLASTITE PNP 1/4 S	1	EA	
16	PK930174	SUPPORT SLIDE MEAT SAVOR SXS 42/48 L	1	EA	
17	PD020195	SCR 8-18 X 5/8	1	EA	
18	PK930176	SUPPORT DRAWER MEAT SAVOR 42/48 L	1	EA	
19	045689-000	DOOR MEATSAVOR ASM SXS 42	1	EA	

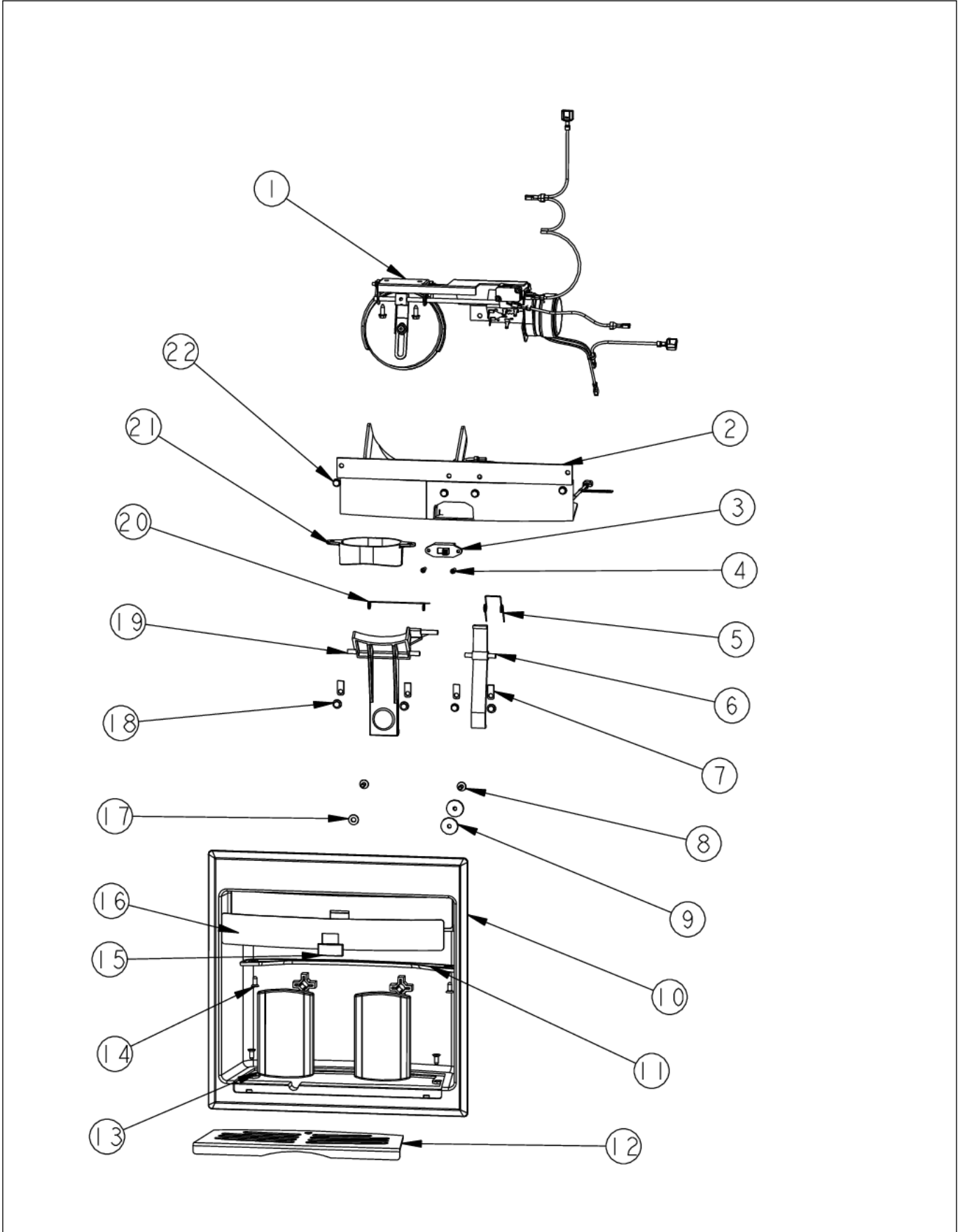
DELI DRAWER





Item	Part No.	Name	Qty	Uom	NOTES
1	PD920161	SCR 8-16 PLASTITE PNP 3/8 S	1	EA	
2	046255-000	SLIDE, DWR, SOFT CLOSE, LH	1	EA	
3	043623-000	SHELF ASM GLASS 42 FF	1	EA	
4	044214-000	SUPPORT SLIDER R	1	EA	
5	PM910343	RAIL DRAWER R	1	EA	
6	PD920162	SCR 8-16 PLASTITE PNP 1/4 S	1	EA	
7	PK930121	DRAWER DELI ASM SXS 42	1	EA	
8	PM910342	RAIL DRAWER L	1	EA	
9	044219-000	SUPPORT SLIDER L	1	EA	
10	046235-000	SLIDE, DWR, SOFT CLOSE-RH	1	EA	

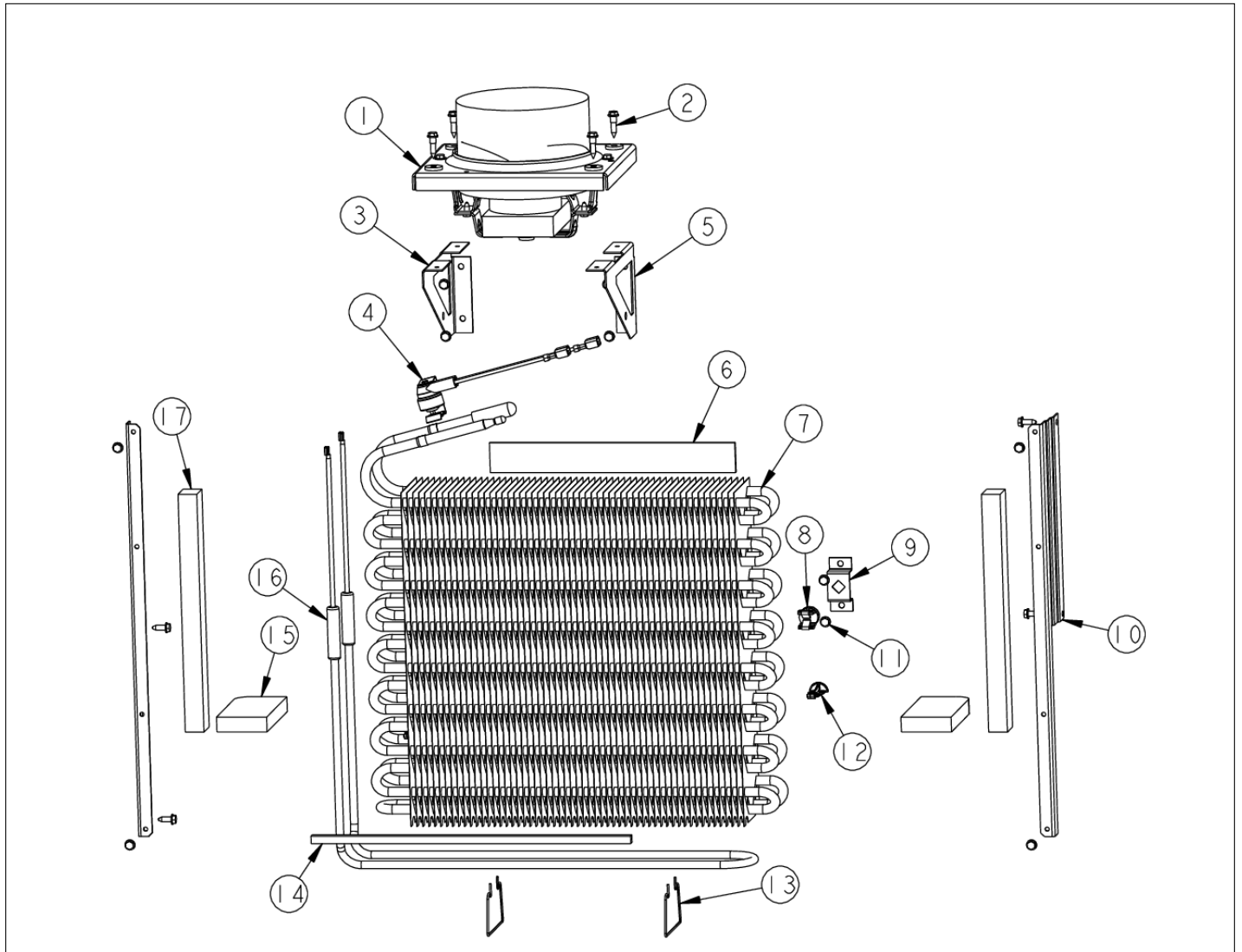
DISPENSER AREA





Item	Part No.	Name	Qty	Uom	NOTES
1	G50914155	ICE DISPENSER MODULE ASM	1	EA	
2	PE070755	DISPENSER CAVITY ASSEMBLY	1	EA	
3	PE950152	SWITCH SLIDE	1	EA	
4	00334-000	SCREW, #4-24 X 1/2	1	EA	Not available online / Call for pricing and availability
5	B8385402	SPRING-RETURN	1	EA	
6	PK930404	ARM WATER ACTUATOR	1	EA	
7	B10910081	DISP RETAINER ICE ARM	1	EA	
8	M0210443	SCREW-E SM VM0210443	1	EA	
9	M0270546	WASHER	1	EA	
10	PB910228	BEZEL I/W DISPENSER FULL OVERLAY	1	EA	
11	V12268304	STOP E FACADE (BLK)	1	EA	
12	PB980026	Spill Tray	1	EA	
13	V12221005	PAD - E ACTUATOR (BLK)	1	Wholesale Price	
14	M0215318	SCREW-SM	1	EA	
15	013685-000	SLIDE SWITCH CAP (GRAY)	1	EA	
16	041624-000	Insert Façade (After 4/15/05)	1	EA	
17	PD040071	#10 S.S. FLAT WASHER	1	EA	
18	PD020193	SCR 8-18 X 3/8	1	EA	
19	PK030470	ARM ICE ACTUATOR	1	EA	
20	PC010022	SPRING RETURN ICE ACTUATOR	1	EA	
21	PM010625	SHROUD ICE DISPENSER BK	1	EA	
22	PD020194	SCREW-SM	1	EA	

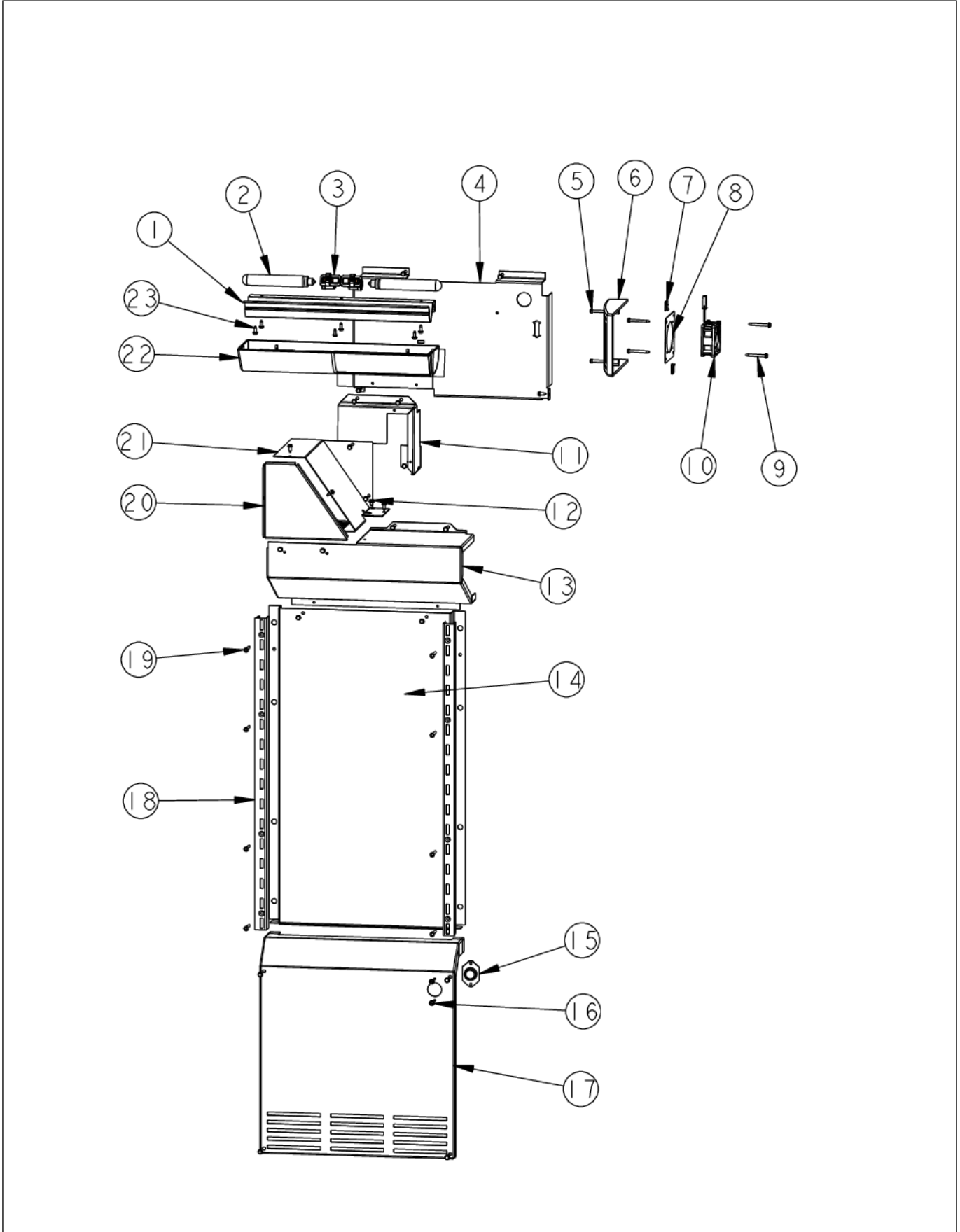
EVAPORATOR AREA





Item	Part No.	Name	Qty	Uom	NOTES
1	G5098660	FAN EVAP ASM PANASONIC	1	EA	
2	M0238859	SCREW-SHLDR	1	EA	
3	K2096458	BRKT-L-EVAP-FAN 12223102	1	EA	
4	058966-000	THERMOSTAT, SNAP ACTION, 55 OPEN 20 CLOSE	1	EA	
5	K2096457	BRKT-R-EVAP FAN 12223101	1	EA	
6	A3189370	GASKET-FOAM VA3189370	1	EA	
7	PM910206	EVAPORATOR SXS 48	1	EA	
8	10623003	CLIP-EVAP	1	EA	
9	K2096456	BRKT-EVAP CLIP 12215101	1	EA	
10	K2096461	BRKT-EVAP COVER 12234801	1	EA	
11	PD020194	SCREW-SM	1	EA	
12	10527401	CLIP-EVAP	1	EA	
13	10428101	CLIP-EVAP HTR V10428101	1	EA	
14	A3030303	GASKET	1	EA	
15	10629001	BLOCK-R AIR COIL RED	1	EA	
16	PJ910031	HEATER EVAP SXS	1	EA	
17	A3030361	GASKET RED	1	EA	

FREEZER COMPARTMENT

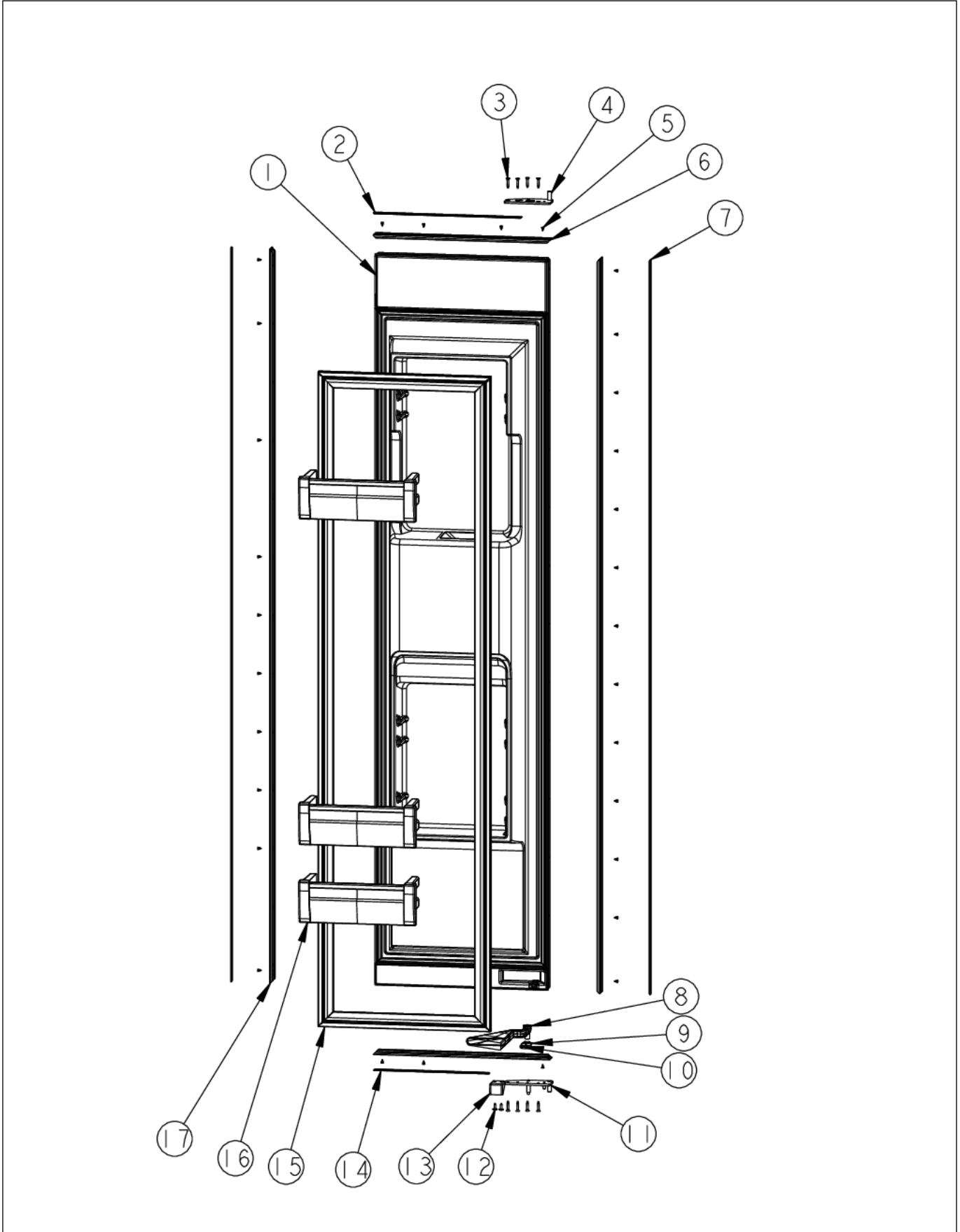






Item	Part No.	Name	Qty	Uom	NOTES
1	L2099475	BRACKET LIGHT SXS FZ	1	EA	
2	004528-000	LAMP, 40 WATT CLEAR LIGHT	1	EA	
3	PE950125	LIGHT SOCKET	1	EA	
4	L2097158WH	COVER UPPER EVAP	1	EA	
5	M0221913	SCREW-SM	1	EA	
6	PK930086	COVER FAN SXS 48 FZ	1	EA	
7	M0288120	NUT-SPEED VM0288120	1	EA	
8	K2096475	FAN MOUNTING PLATE	1	EA	
9	PD020188	SCR 8-18 BT HXWS 1 1/2	1	EA	
10	004551-000	AXIAL FAN	1	EA	
Comments for Part Num. 004551-000					
gboltz@VikingRange.com on Jul 21, 2016					
View service bulletin TR-0052-SP before ordering fan, if applicable order kit instead of fan					
11	L20914115	FAN BRACKET (FORMED)	1	EA	
12	PD920193	SCREW	1	EA	Not available online / Call for pricing and availability
13	L20910056	COVER EVAP MOTOR	1	EA	
14	L20910057	COVER CENTER EVAP	1	EA	
15	C8983701	THERMISTOR	1	EA	
16	M0211014	SCREW-SM	1	EA	Not available online / Call for pricing and availability
17	L20910054	COVER LOWER EVAP	1	EA	
18	PM910375	LADDER R/L FZ	1	EA	
19	M0238535	SCREW-SM	1	EA	
20	L20910075	COVER EVAP FAN	1	EA	
21	L20914114	FAN COVER (FORMED)	1	EA	
22	020117-000	COVER LIGHT ASM SXS 42 FZ	1	EA	
23	PD020194	SCREW-SM	1	EA	
Not Shown	B5733302	CLIP-GROUND	1	EA	
Not Shown	M0580007	GROMMET-SCREW	1	EA	

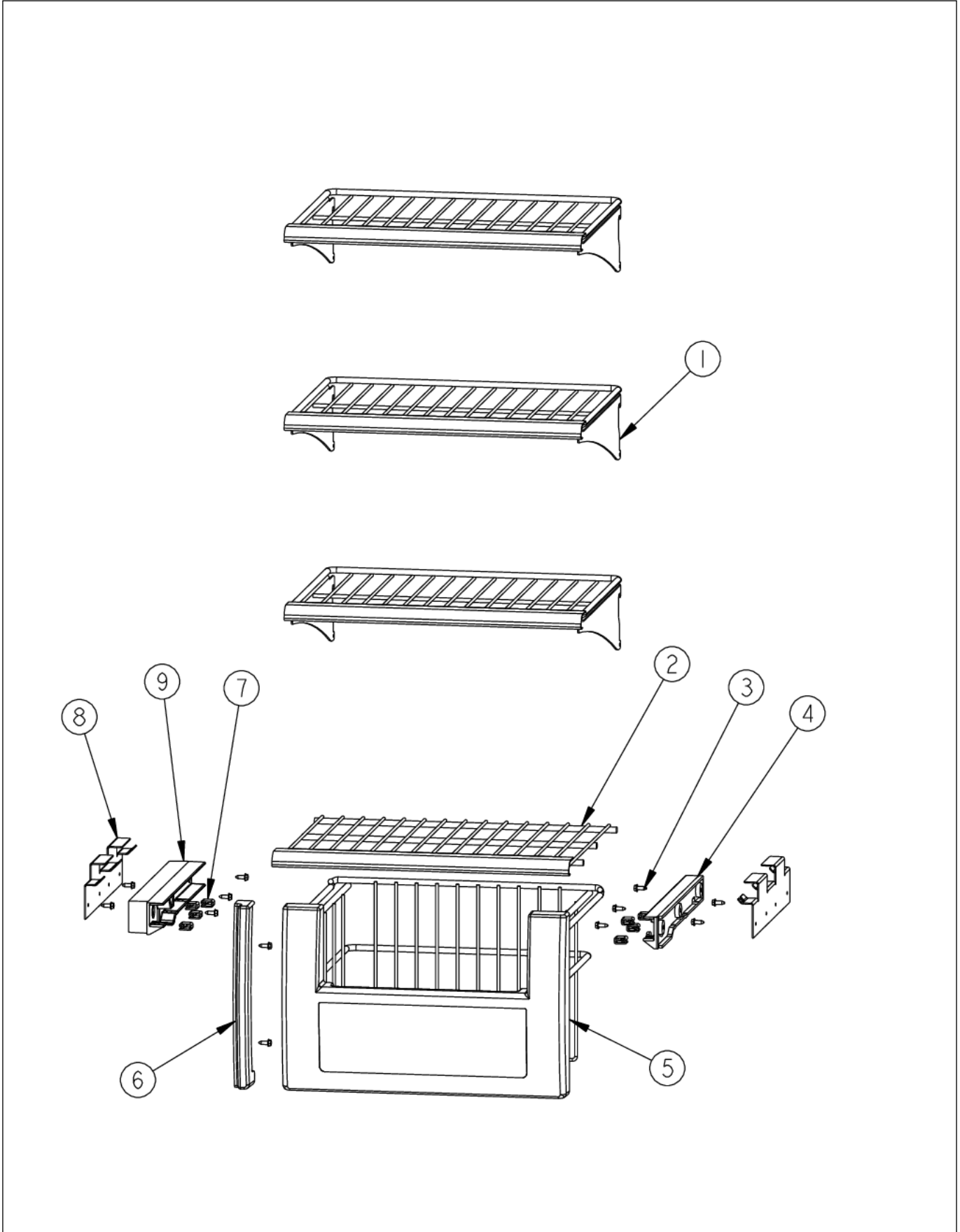
FREEZER DOOR FOAM AREA





Item	Part No.	Name	Qty	Uom	NOTES
1	G32915036	DOOR ASM 42D FZ	1	EA	
Not Shown	NOTE	(Includes Gasket)		EA	
2	PM910345	INSERT FRAME DOOR TOP SXS 42 FZ FO	1	EA	
3	PD920174	10X7/8 PHILLIPS SMA TRI LOBE SA	1	EA	
4	PC020275	PIVOT PL ASM LH UP FOL	1	EA	
5	M0215704	SCREW-SM	1	EA	
6	PM010613	TRIM - TOP / BOTTOM	1	EA	
7	PM910097	INSERT SXS FF/FZ SIDE 12063706	1	EA	
8	PK930297	ELBOW CHASE SXS DISP	1	EA	
9	PK930298	RETAINER ELBOW SXS DISP	1	EA	
10	M0215318	SCREW-SM	1	EA	
11	016180-000	PIVOT PL ASM LH LW FOL	1	EA	
12	M0210458	Screw, SM	1	EA	
13	PD950019	STRIKER SWITCH	1	EA	Not available online / Call for pricing and availability
14	PM910313	INSERT FRAME DOOR BTM SXS 42 FZ FO	1	EA	Not available online / Call for pricing and availability
15	001942-000	SERV. GASKET FACE CHARGE	1	EA	
Not Shown	NOTE	(BEFORE 06-10-08)		EA	
15	005453-000	GASKET,ASM,42,SXS,FZ DISP VID# 602712817-17	1	EA	
Not Shown	NOTE	(ON OR AFTER 06-10-08)		EA	
16	036888-000	DOORBIN ASM SXS FZ	1	EA	
17	000953-000	EXTRUSION,FOL,SIDE	1	EA	

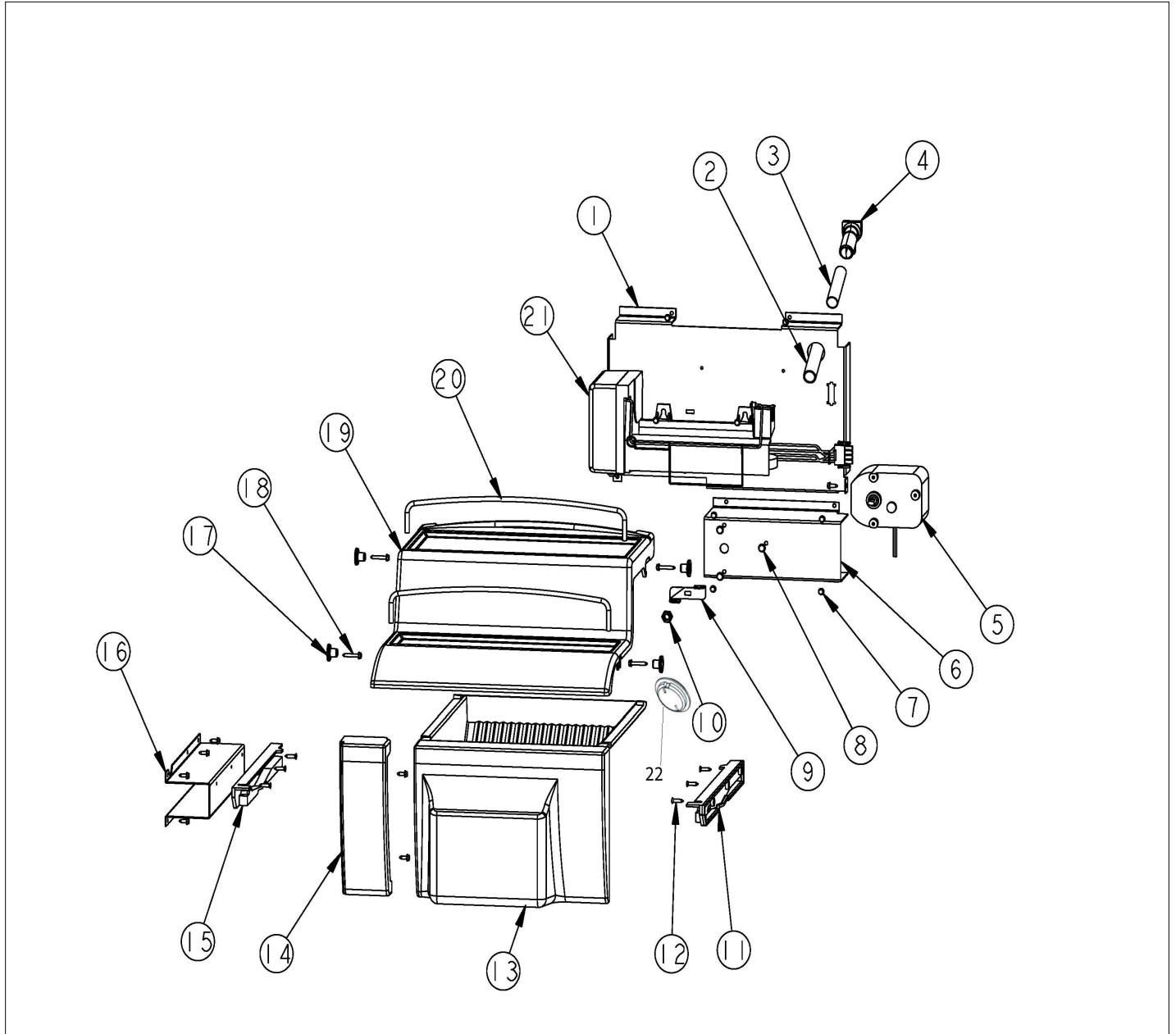
FREEZER SHELVING





Item	Part No.	Name	Qty	Uom	NOTES
1	PM910411	SHELF WIRE AF 36	1	EA	
2	PM910231	FZ FIXED BASKET ASSEMBLY	1	EA	
3	PD020194	SCREW-SM	1	EA	
4	PK930074	GLIDE SXS 48 FZ R	1	EA	
5	PM910190	BASKET ASM FZ	1	EA	
6	PK930107	FZ BASKET SIDE SPACER FRONT	1	EA	
7	12064701	PAD-GLIDE V12064701	1	EA	
8	L20910067	BRACKET SHELF FZ	1	EA	
9	PK930075	GLIDE SXS 48 FZ L	1	EA	

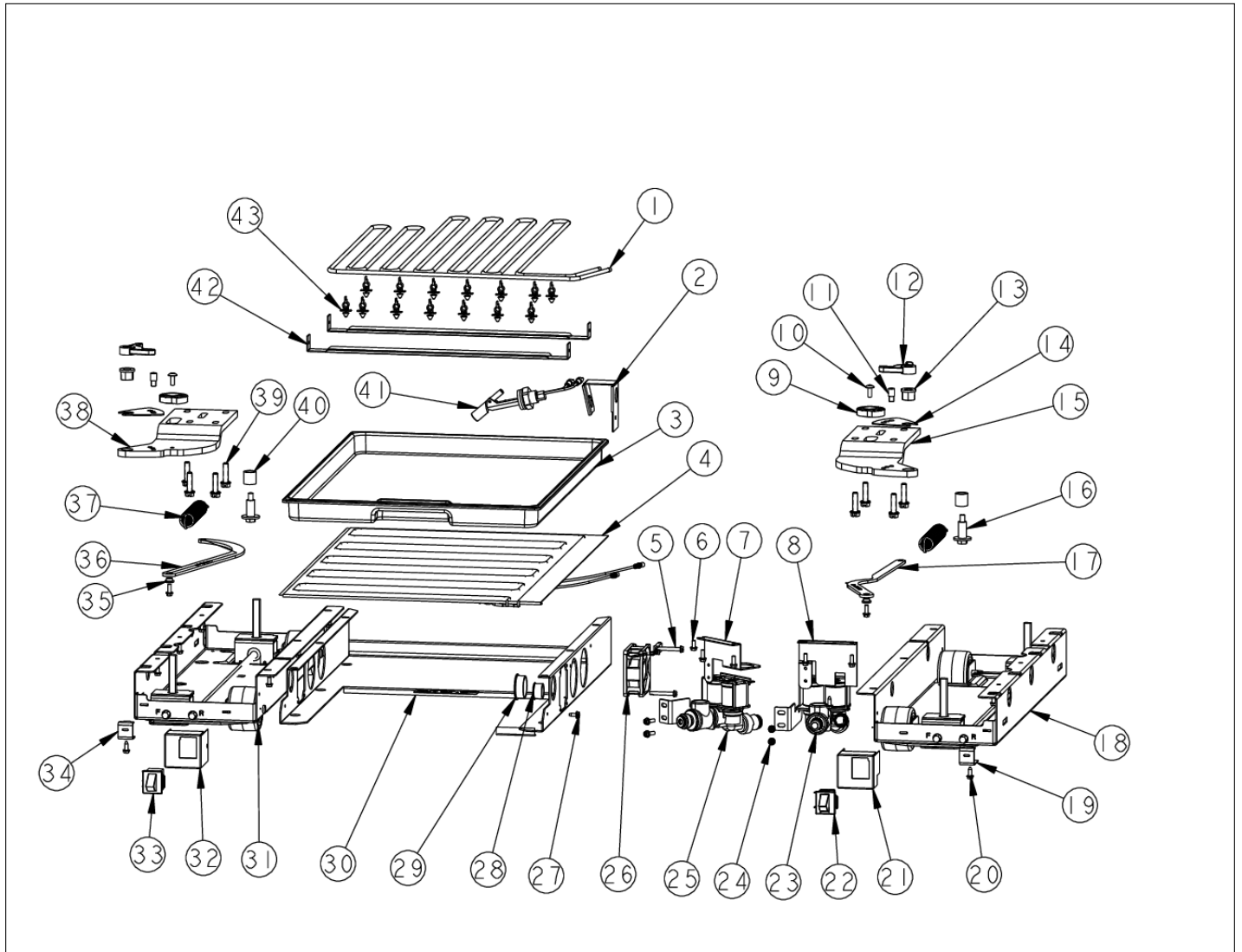
ICE MAKER AREA





Item	Part No.	Name	Qty	Uom	NOTES
1	L2097158WH	COVER UPPER EVAP		EA	
2	015813-000	EXT FILL TUBE		EA	
3	029418-000	FILL TUBE DISP		EA	
4	10276601	ELBOW-FILLER TUBE		EA	
NI	G4096419	FILL TUBE ASSEMBLY		EA	Not available online / Call for pricing and availability
Not Shown	NOTE	(Includes Items #3 and #4)		EA	
5	PE950158	Motor Auger		EA	
6	C90914113WH	BRACKET - AUGER MOTOR (WH)		EA	
7	PD020194	SCREW-SM		EA	
8	PD020191	SCR. #10 PLAS HXW 1/2 S		EA	
9	B20911863	Driver- Ice Bucket RNG		EA	
10	M0223101	NUT LOCKING		EA	
11	PK930265	GLIDE R FZ		EA	
12	M0213503	SCREW, SM		EA	
13	019144-000	ICE BUCKET ASM		EA	
Comments for Part Num. 019144-000					
gboltz@VikingRange.com on Mar 28, 2017					
See parts bulletin 2017-03P ice bucket helix replacement					
14	PK930096	CLOSEOUT - ICE DISPENSER		EA	
15	PK930266	GLIDE L FZ		EA	
16	C90910027WH	SUPPORT LS ICE BUCKET		EA	
17	12258501	SUPPORT-SHELF		EA	
18	M0211021	SCREW-SM		EA	
19	PK930264	SHELF COVER		EA	
20	PM910435	RETAINER WIRE		EA	
21	043156-000	ICEMAKER ASSEMBLY		EA	
22	PM910331C	CAP,HELIX		EA	

LOWER UNIT AREA







Item	Part No.	Name	Qty	Uom	NOTES
1	F20915693	SERPENTINE CONDENSER DRAIN ALL SXS'S	1	EA	
2	B20915627	BRACKET HORIZ FLOAT SWITCH	1	EA	
3	PK930348	PAN DRAIN	1	EA	
4	G50911853	TRAY PAN HEATER	1	EA	
5	PD020274	SCR SLTD HEX WSHR HD 8X1.250 BT	1	EA	
6	PD020010	10 X 3/8 GREEN GROUNDING SCREW	1	EA	
7	K20914175	BRACKET, DUAL VALVE, J.G. INLET	1	EA	
8	K20913790	BRKT VALVE H2O DUAL	1	EA	
9	044370-000	CAM DOOR ADJUSTMENT (SXS)	1	EA	
10	PD020234	SCREW THP 10-32 X .500 SS BO	1	EA	
11	PC920145	PIN - DOOR STOP	1	EA	
12	PD940091	BUSHING - DOOR STOP	1	EA	
13	PD940090	BUSHING - WC DOOR LEVEL	1	EA	
14	PC920144	PLATE - WC DOOR SHIM	1	EA	
15	PC020288	HINGE PLATE LR	1	EA	
16	M0221523	SCREW - SHLDR	1	EA	
17	PC920166	HINGE ASM COMPLETE RR	1	EA	
18	060890-000	LEVELER MODULE R	1	EA	
19	K2098044	BRKT GRILLE SUPPORT	1	EA	
20	PD020194	SCREW-SM	1	EA	
21	002667-000	SWITCH,GRILLE,MT,RH	1	EA	
22	PE950147	SWITCH SPST NC BLACK	1	EA	

Comments for Part Num. PE950147

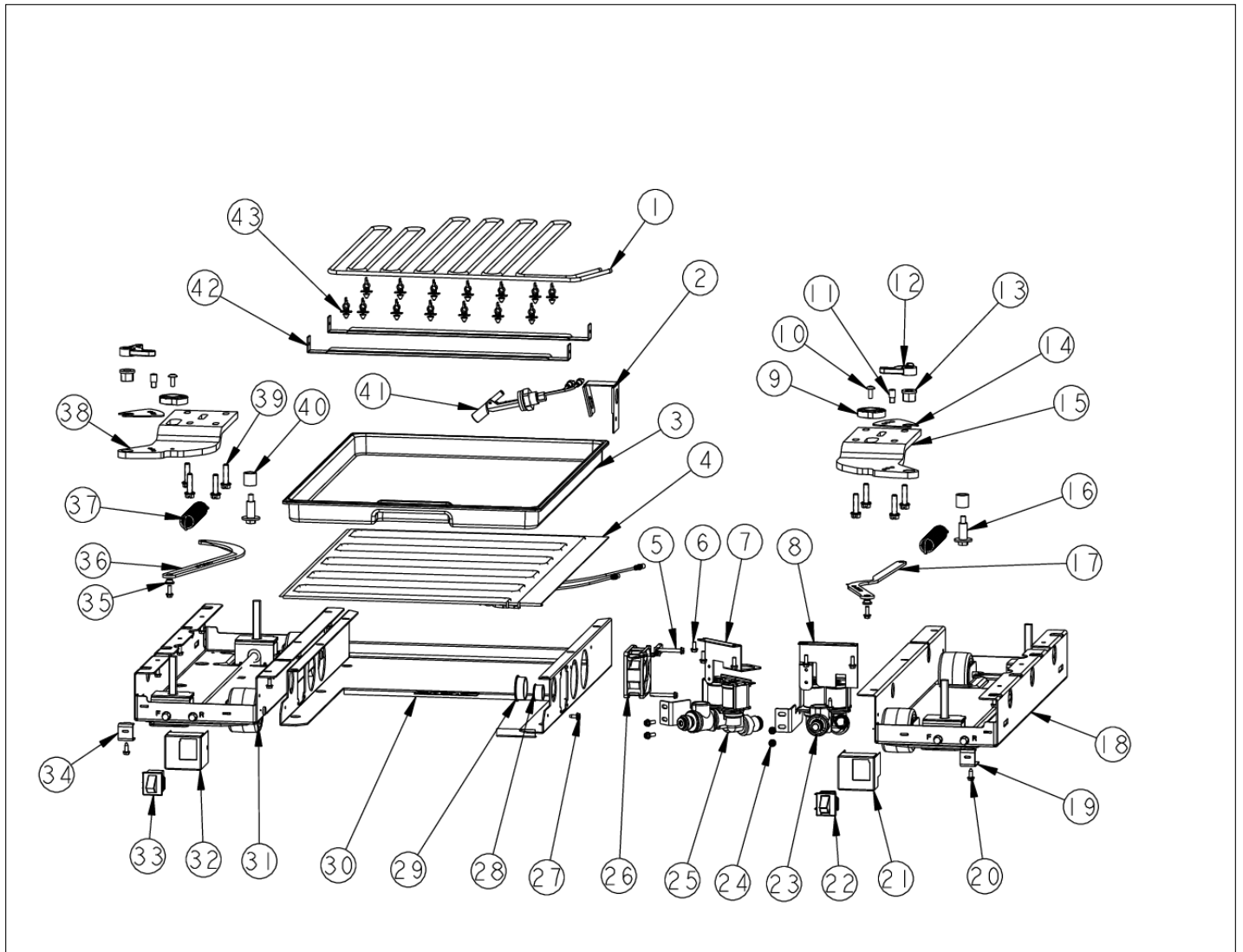
bradleysapplianceservice@shaw.ca on May 1, 2017

CAUTION WHEN ORDERING DOOR SWITCH. PARTS LISTINGS COULD BE INCORRECT.

THERE IS TWO VERSIONS OF THIS DOOR SWITCH THAT NEEDS TO BE VISUALLY CHECKED ON UNIT TO DETERMINE CORRECT PART.

PE950146 DOOR SWITCH 3 WIRE SPDT BLACK

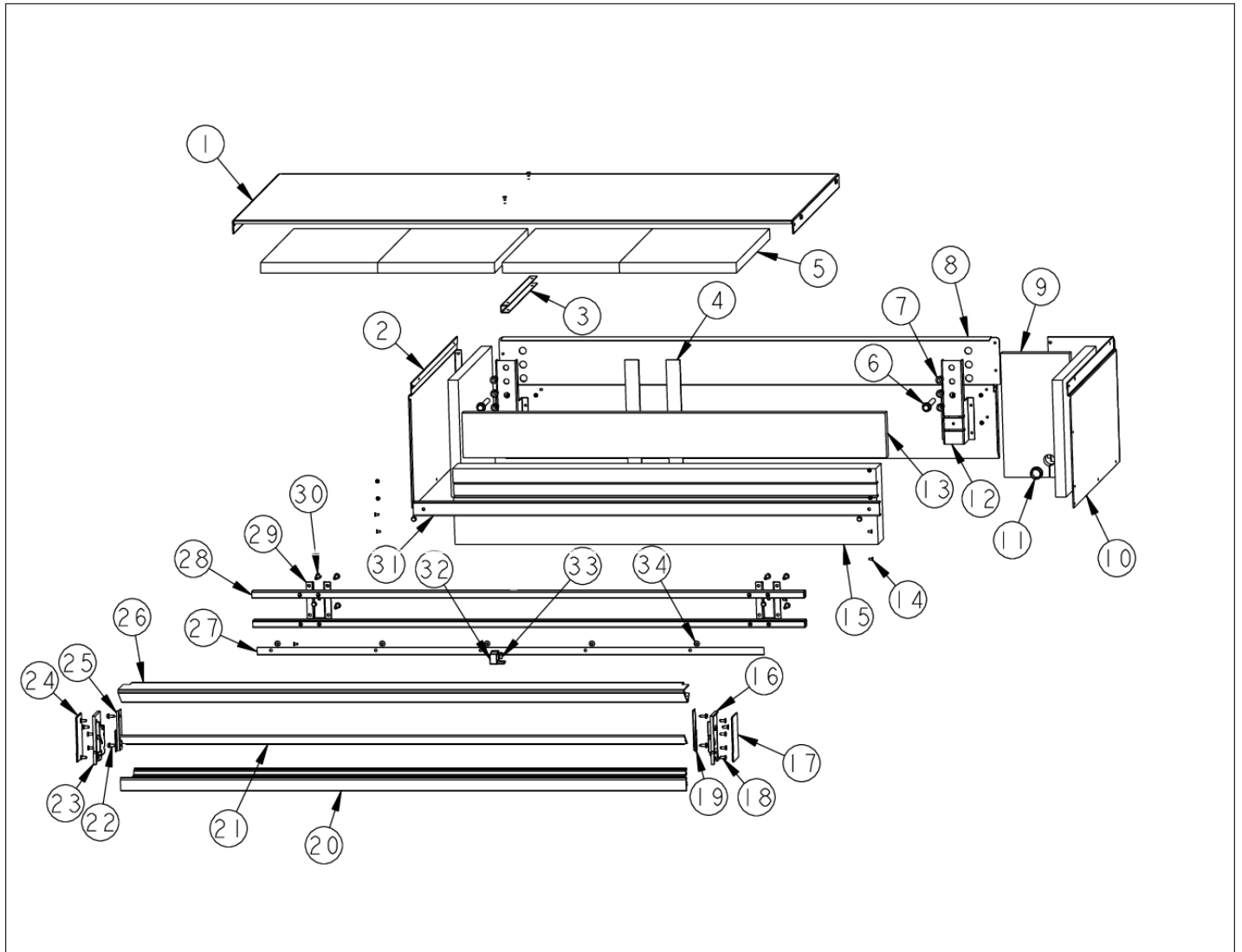
PE950147 DOOR SWITCH 2 WIRE SPST BLACK





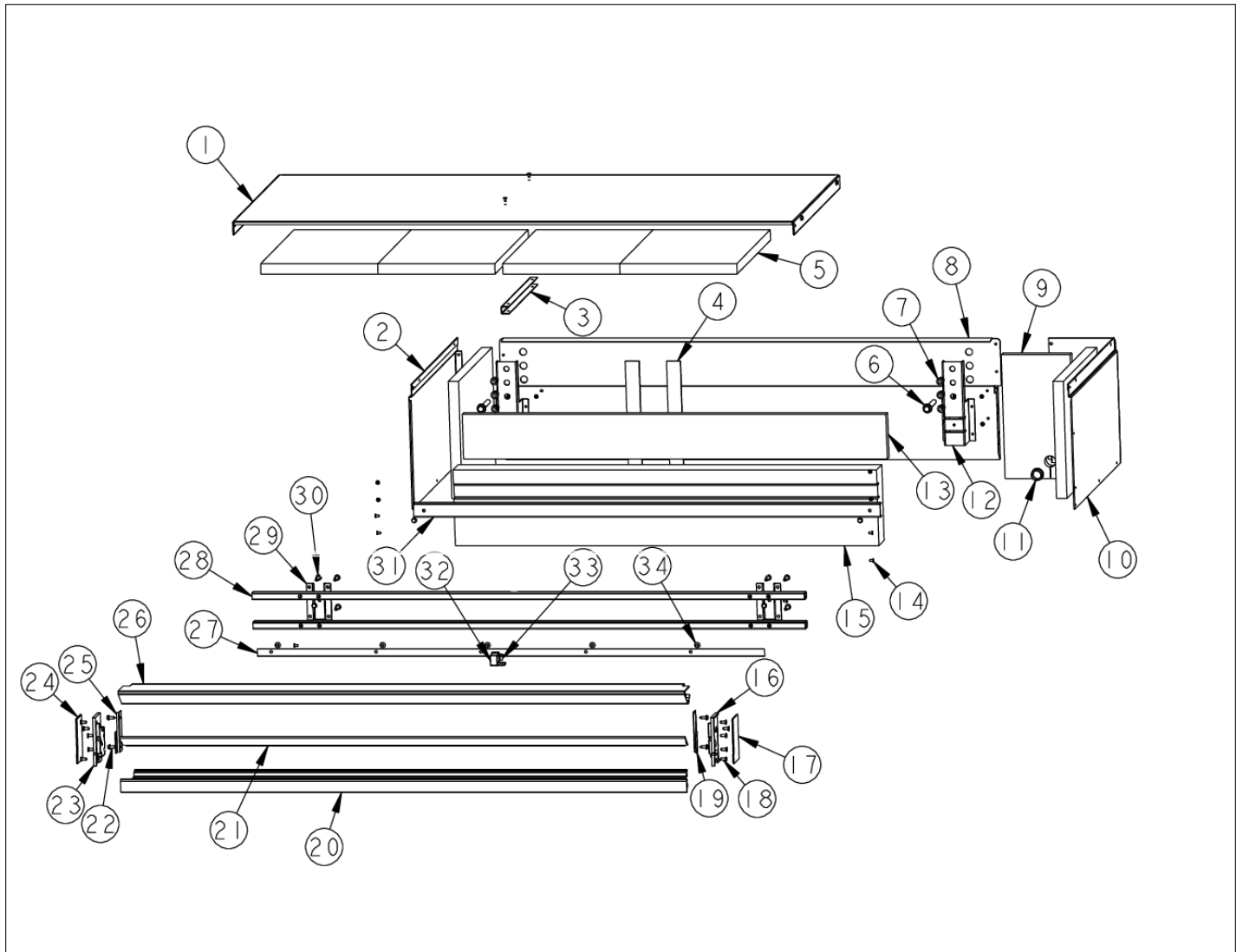
Item	Part No.	Name	Qty	Uom	NOTES
23	PA070014	WATER VALVE	1	EA	
24	M0220417	SCREW-TC	1	EA	
25	G50911843	WATER VALVE KIT	1	EA	
26	004551-000	AXIAL FAN	1	EA	
Comments for Part Num. 004551-000					
gboltz@VikingRange.com on Jul 21, 2016					
View service bulletin TR-0052-SP before ordering fan, if applicable order kit instead of fan					
27	M0253916	SCR 8-32 SHXW 3/8 TRI-LOBE	1	EA	
28	A4554806	BUSHING-SNAP VA4554806	1	EA	
29	A4554817	BUSHING-SNAP VA4554817	1	EA	
30	K20915952	SHIELD BOTTOM DRAIN	1	EA	
31	060891-000	LEVELER MODULE L	1	EA	
32	002668-000	SWITCH,GRILLE,MT,LH	1	EA	
33	PE950146	SPDT SWITCH	1	EA	
34	K2098096	BRKT GRILLE SUPPORT	1	EA	
35	PD940094	BUSHING	1	EA	
36	PC920149	BAR-WC BOT HINGE LH	1	EA	
37	PC910015	SPRING EXTENSION	1	EA	
38	PC020289	HINGE PLATE LL	1	EA	
39	000570-000	FASTENER, BOLT, 1/4-20 IHXWS 1" S ZN SER	1	EA	
40	PD940107	ROUND SPRING SPACER	1	EA	
41	PE050248	FLOAT SWITCH HORIZONTAL	1	EA	
42	K20911831	BRACKET CONDENSATE SUPPORT	1	EA	
43	PD030146	STAND OFF LOCK CLIP	1	EA	

MC COVER AND GRILLE AREA





Item	Part No.	Name	Qty	Uom	NOTES
1	K2099458	MC TOP SXS 42	1	EA	
2	K2099460	MC SIDE L	1	EA	
3	K2099455	SUPPORT MC Z	1	EA	
4	A3189370	GASKET-FOAM VA3189370	1	EA	
5	PB070355	INSULATION MC COVER	1	EA	
6	PD020233	SCR LAG 5/16-9 GX 5/16X7/16 WAF IHXW 3 S ZN	1	EA	
7	PD040157	BEARING SLEEVE	1	EA	
8	K2099461	MC BACK 42	1	EA	
9	PB970171	MC INSULATION - BACK SIDE	1	EA	Not available online / Call for pricing and availability
10	K2099459	MC SIDE (RIGHT)	1	EA	
11	A4554806	BUSHING-SNAP VA4554806	1	EA	
12	K20915675	BRACKET PSM	1	EA	
13	PB070360	INSULATION MC COVER	1	EA	
14	PC040010	POP RIVET (.063/GR -.125) GAMD42-A	1	EA	
15	PB070361	INSULATION MC COVER	1	EA	
16	PM910348	ENP CAP GRILLE R	1	EA	
17	PM910072	COVER - END CAP	1	EA	
18	M0215318	SCREW-SM	1	EA	
19	K2099470	BRACKET GRILLE SUPPORT R	1	EA	
20	016193-000	GRILLE LOWER SXS 42 DES	1	EA	
21	PM910305	GRILLE CENTER SXS 42 DES	1	EA	
22	PD020194	SCREW-SM	1	EA	
23	PM910349	END CAP GRILLE L	1	EA	
24	PM910071	COVER - END CAP 12119801	1	EA	
25	K2099471	BRACKET GRILLE SUPPORT L	1	EA	
26	016196-000	GRILLE UPPER SXS 42 DES	1	EA	
27	PM910309	GRILLE EXTENSION 42	1	EA	
28	PM910506	GRILLE SPACER 42 FOL	1	EA	
29	PK050004	BRACKET GRILLE 5 SERIES	1	EA	
30	M0213147	SCREW-SM	1	EA	

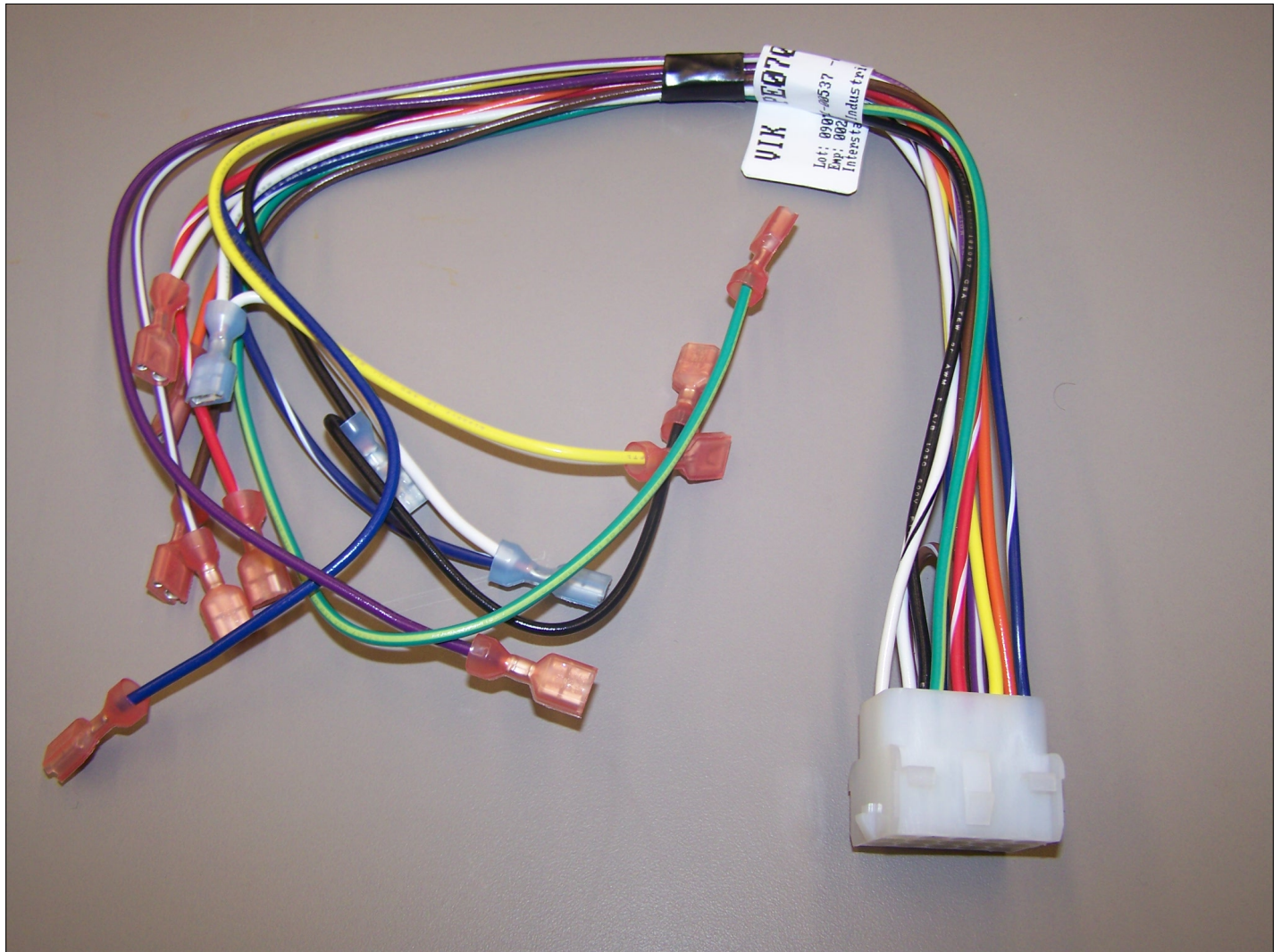




Item	Part No.	Name	Qty	Uom	NOTES
31	K20915903	CROSSMEMBER PSM 42	1	EA	Not available online / Call for pricing and availability
32	PM910084	SUPPORT GRILLE 12201201	1	EA	
33	M0230028	SCREW-TC	1	EA	
34	M0224128	SCREW-SM	1	EA	



PE070785 HIGH VOLT HARNESS



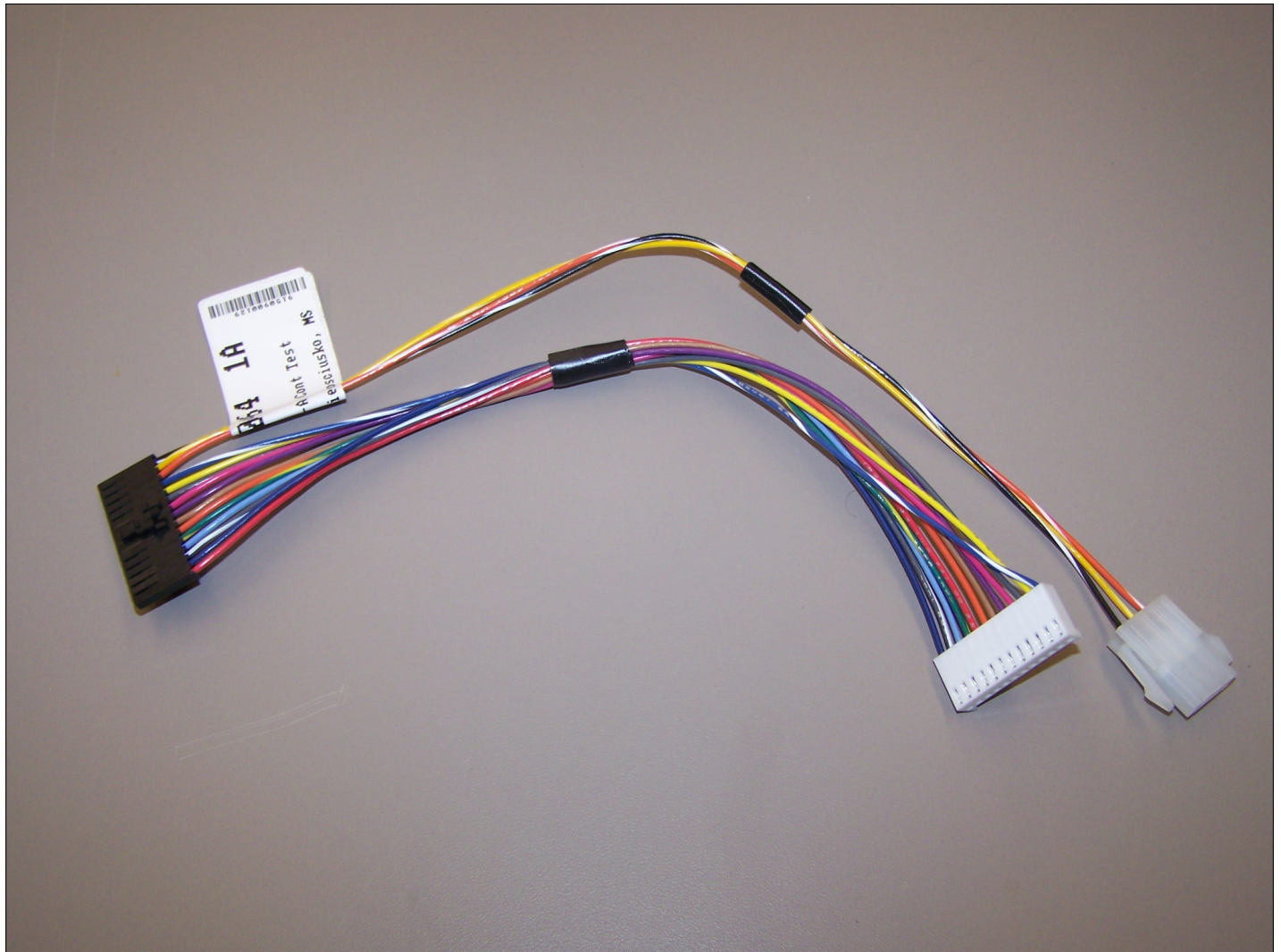




Item	Part No.	Name	Qty	Uom	NOTES
1	PE070785	Harness, High Voltage Board	1	EA	



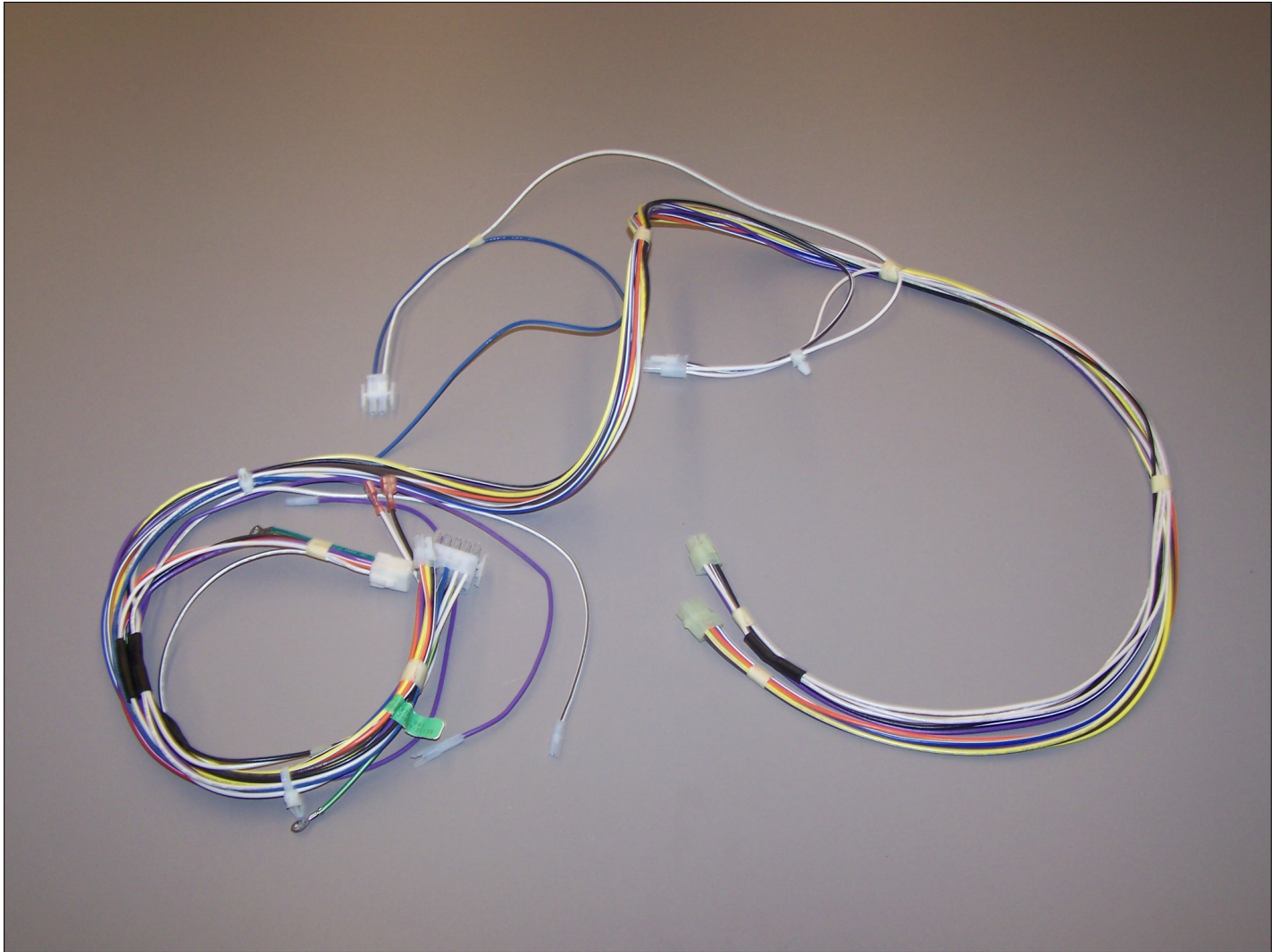
PE970464 LOW VOLT HARNESS





Item	Part No.	Name	Qty	Uom	NOTES
1	PE970464	HARNESS LOW VOLT 5 SERIES	1	EA	

PE970595 MACHINE HARNESS

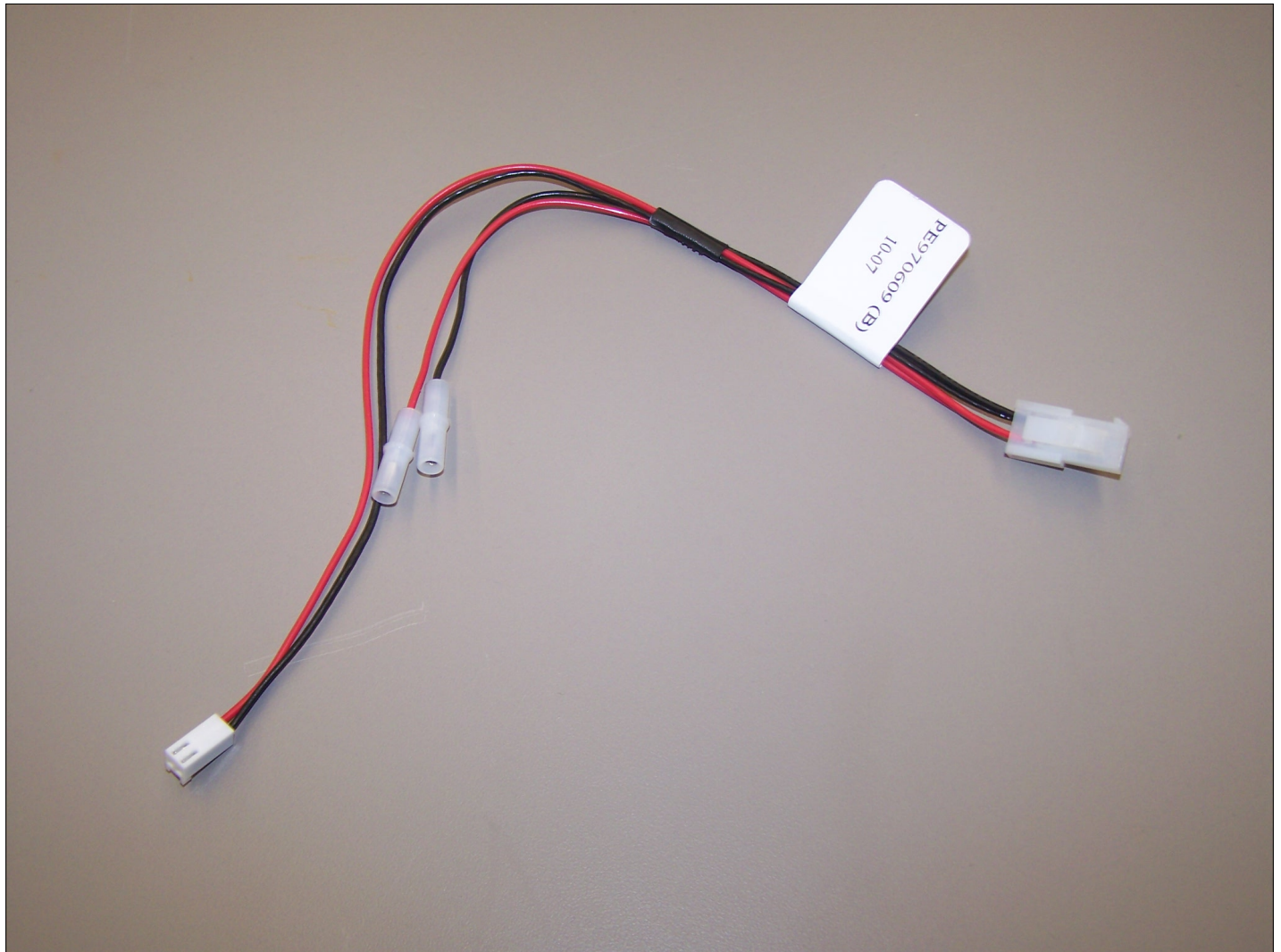




Item	Part No.	Name	Qty	Uom	NOTES
1	PE970595	HARNESS MACH SXS	1	EA	



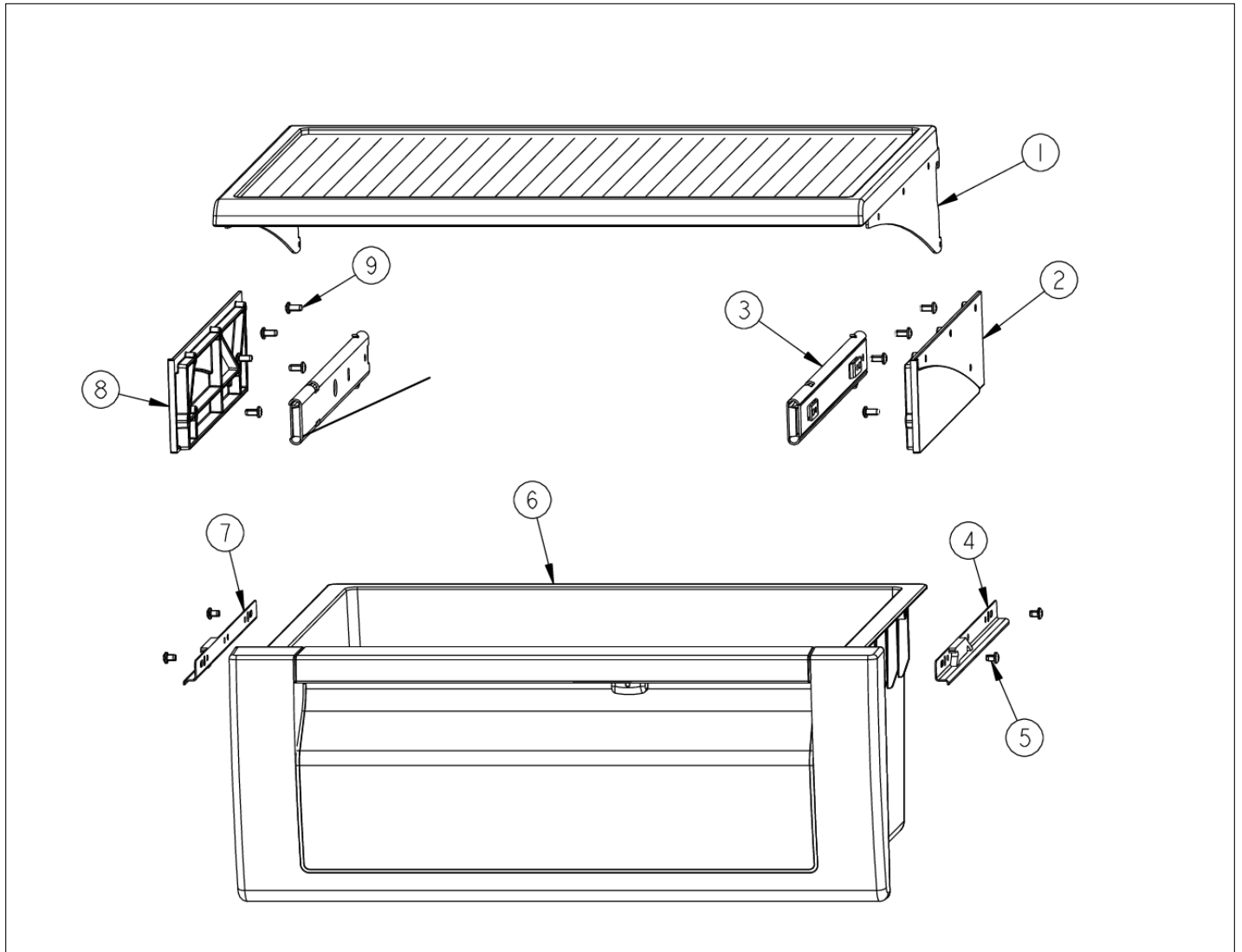
PE970609 CONTROL BOARD HARNESS





Item	Part No.	Name	Qty	Uom	NOTES
1	PE970609	HARNESS CONTROL BOARD 5 SERIES	1	EA	

PRODUCE DRAWER

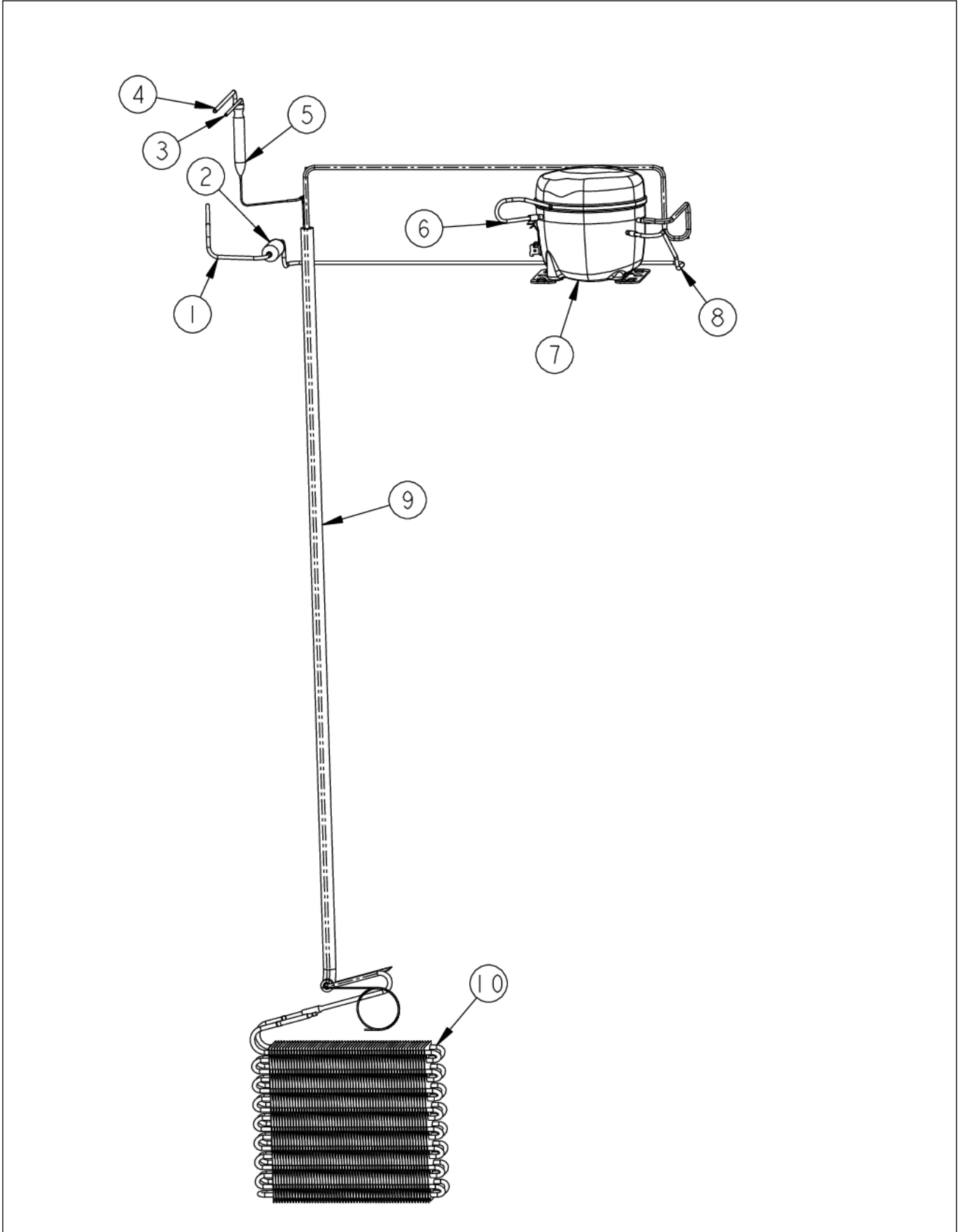






Item	Part No.	Name	Qty	Uom	NOTES
1	043623-000	SHELF ASM GLASS 42 FF	1	EA	
2	044214-000	SUPPORT SLIDER R	1	EA	
3	046235-000	SLIDE, DWR, SOFT CLOSE-RH	1	EA	
4	PM910343	RAIL DRAWER R	1	EA	
5	PD920162	SCR 8-16 PLASTITE PNP 1/4 S	1	EA	
6	009927-000	PRODUCE 42	1	EA	
7	PM910342	RAIL DRAWER L	1	EA	
8	044219-000	SUPPORT SLIDER L	1	EA	
9	PD920161	SCR 8-16 PLASTITE PNP 3/8 S	1	EA	
10	046255-000	SLIDE, DWR, SOFT CLOSE, LH	1	EA	

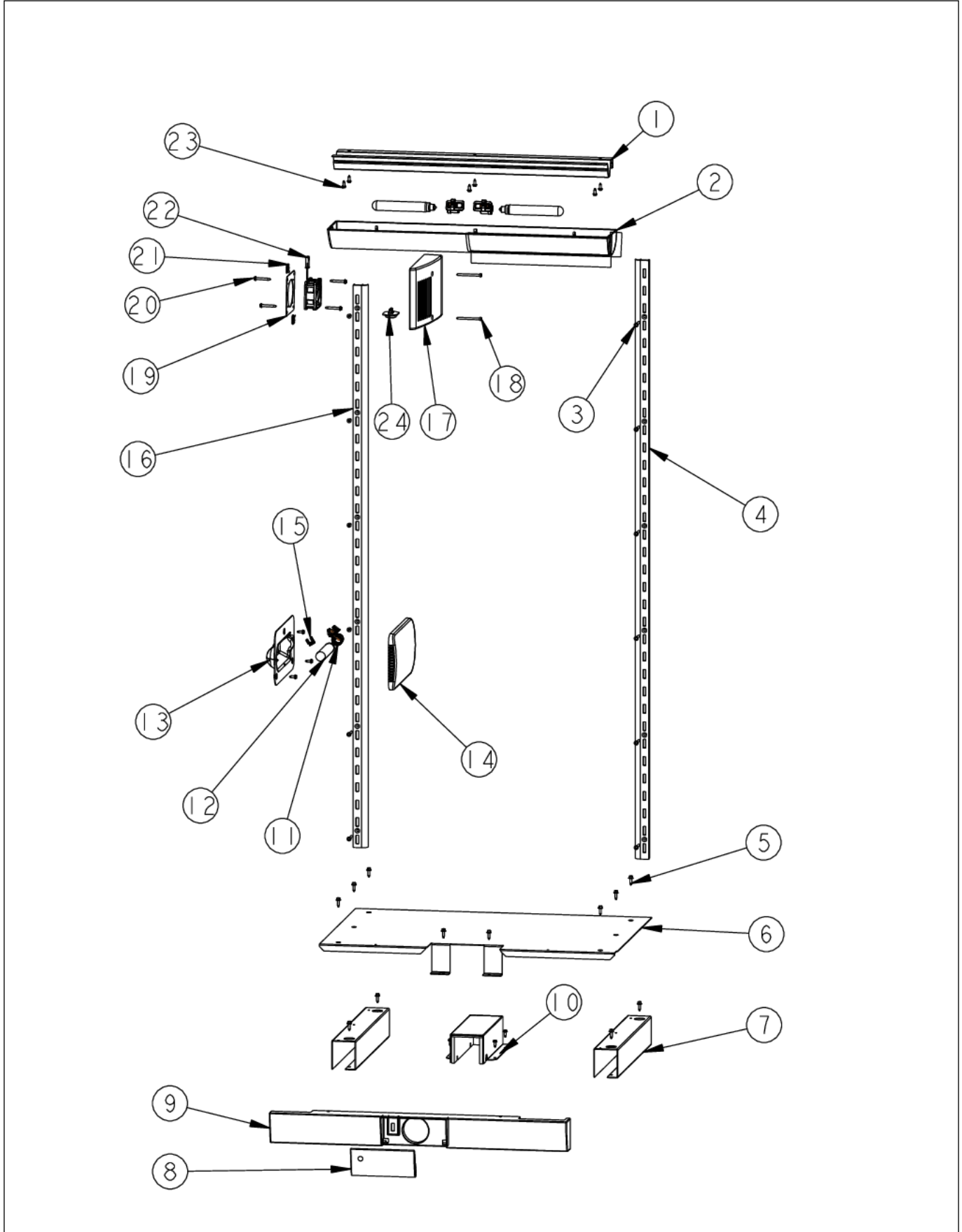
REFRIGERANT SYSTEM





Item	Part No.	Name	Qty	Uom	NOTES
1	F2099444	TUBE DISCHARGE FORMED POST ACCUM	1	EA	
2	PB920201	ACCUMULATOR	1	EA	
3	F2096504	TUBE-DRIER EXT	1	EA	
4	F2097740	TUBE PROCESS	1	EA	
5	PM010616	DRIER - HIGH SIDE	1	EA	
6	F2096507	TUBE-PROCESS GRN	1	EA	
7	G5097976	Compressor Assembly (Includes Drier)	1	EA	
8	F2099443	TUBE DISCHARGE FORMED PRE ACCUM	1	EA	
9	053308-000	HEAT EXCHANGER ASM SXS 42	1	EA	
10	PM910206	EVAPORATOR SXS 48	1	EA	

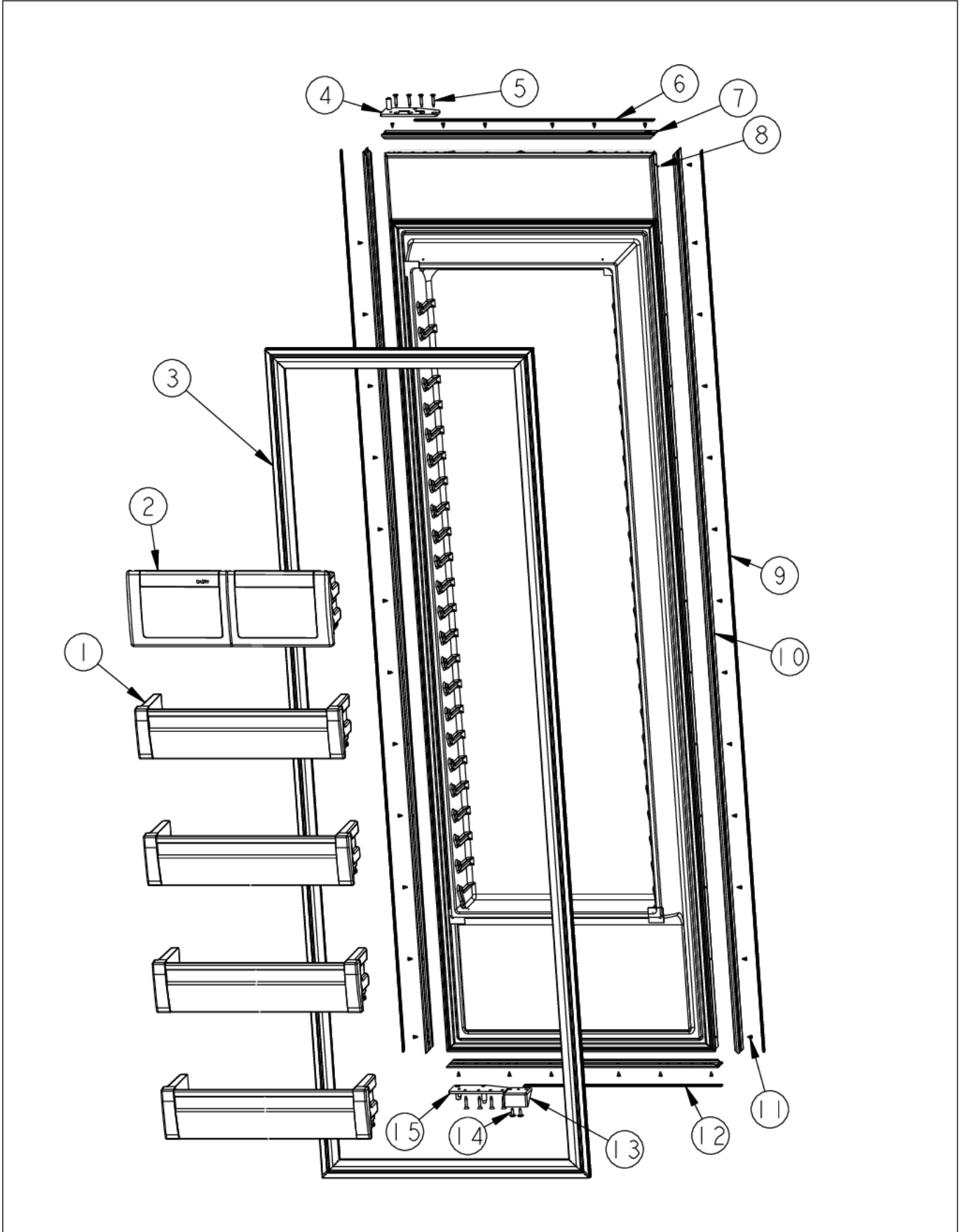
## REFRIGERATOR COMPARTMENT





Item	Part No.	Name	Qty	Uom	NOTES
1	L2099474	BRACKET LIGHT SXS 42 FF	1	EA	Not available online / Call for pricing and availability
2	PK930115	COVER LIGHT ASM SXS 42 FF	1	EA	
3	M0238535	SCREW-SM	1	EA	
4	PM910227	LADDER RS REF	1	EA	
5	PD020195	SCR 8-18 X 5/8	1	EA	
6	L2099251	Floor False 42 SxS disp	1	EA	
7	K20913096	BRACKET FALSE FLOOR	1	EA	
8	PK930313	COVER WATER FILTER SXS DISP	1	EA	
9	PK930237	COVER FALSE FRONT 42 SXS DISP	1	EA	
10	G50913708	ASM COVER WATER FILTER	1	EA	
11	PE950125	LIGHT SOCKET	1	EA	
12	004528-000	LAMP, 40 WATT CLEAR LIGHT	1	EA	
13	10270203	HOUSING-LIGHT V10270203	1	EA	
14	PK930346	COVER LIGHT	1	EA	
15	B5733302	CLIP-GROUND	1	EA	
16	PK020079	LADDER FF L SXS 42D/48D	1	EA	
17	PK930085	COVER FAN SXS 48 FF	1	EA	
18	M0221913	SCREW-SM	1	EA	
19	K2096475	FAN MOUNTING PLATE	1	EA	
20	PD020188	SCR 8-18 BT HXWS 1 1/2	1	EA	
21	M0288120	NUT-SPEED VM0288120	1	EA	
22	004551-000	AXIAL FAN	1	EA	
<p>Comments for Part Num. 004551-000</p> <p>gboltz@VikingRange.com on Jul 21, 2016</p> <p>View service bulletin TR-0052-SP before ordering fan, if applicable order kit instead of fan</p>					
23	PD020194	SCREW-SM	1	EA	
24	C8983701	THERMISTOR	1	EA	
NI	019244-000	ACCESSORY, ASM	1	EA	

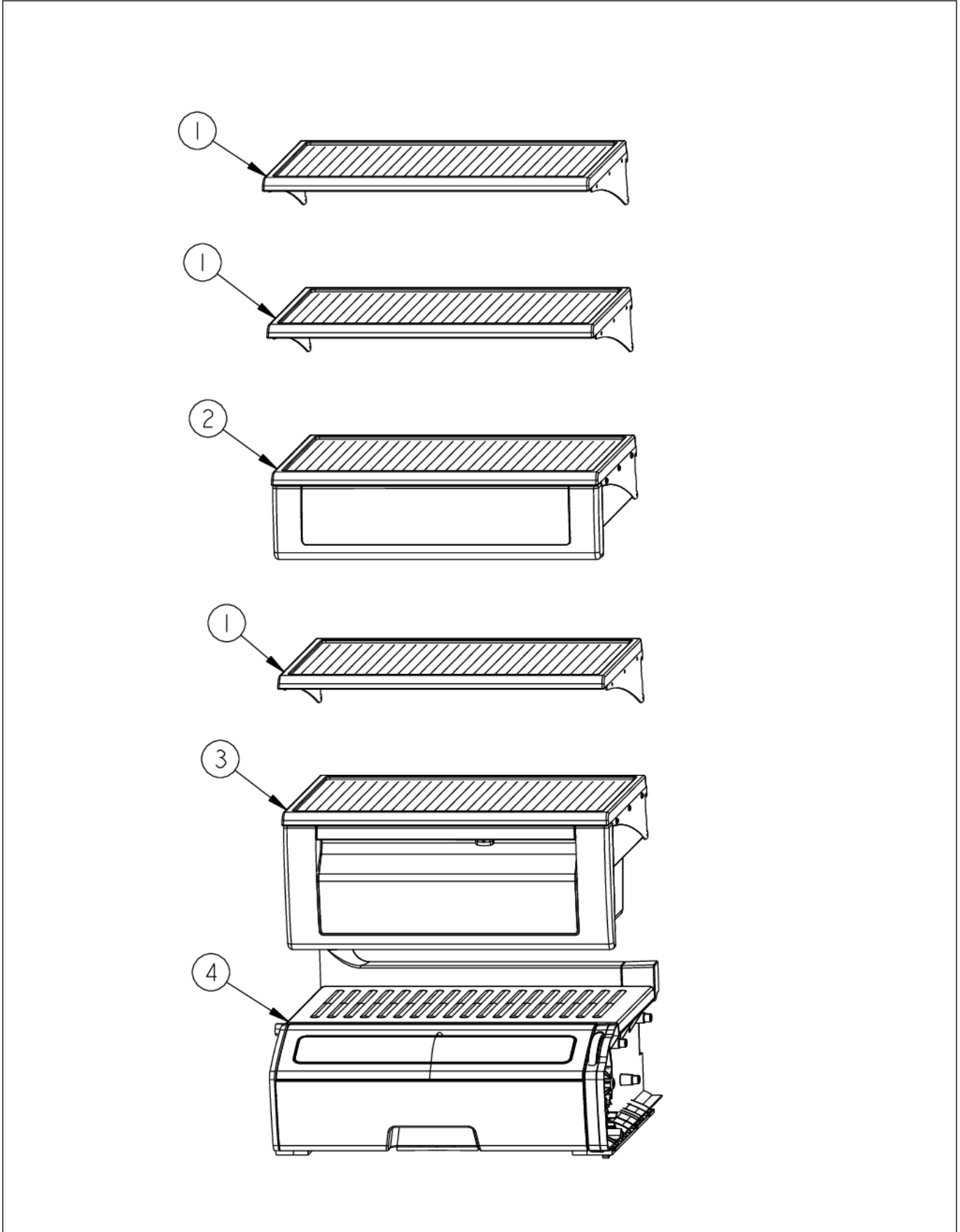
REFRIGERATOR DOOR FOAM AREA





Item	Part No.	Name	Qty	Uom	NOTES
1	036890-000	DOORBIN ASM SXS 42 FF	1	EA	
2	PK930123	DAIRY MODULE ASM SXS 42	1	EA	
3	001957-000	SERV. GASKET FACE CHARGE	1	EA	
Not Shown	NOTE	(BEFORE 06-10-08)		EA	
3	005451-000	GASKET,ASM,42,SXS,FF VID# 602711807-17	1	EA	
Not Shown	NOTE	(ON OR AFTER 06-10-08)		EA	
4	033785-000	PIVOT PLATE ASM RH UP FOL SXS, AFAR	1	EA	
5	PD920174	10X7/8 PHILLIPS SMA TRI LOBE SA	1	EA	
6	PM910344	INSERT FRAME DOOR TOP SXS 42 FF FO	1	EA	
7	PM010612	TRIM DOOR 42 FF TOP BOT FOL	1	EA	
8	G32015037	DOOR FOAM ASSEMBLY	1	EA	Not available online / Call for pricing and availability
Not Shown	NOTE	(Includes Gasket)		EA	
9	PM910097	INSERT SXS FF/FZ SIDE 12063706	1	EA	
10	000953-000	EXTRUSION,FOL,SIDE	1	EA	
11	M0215704	SCREW-SM	1	EA	
12	PM910312	INSERT FRAME DOOR BTM SXS 42 FF FO	1	EA	
13	PD950019	STRIKER SWITCH	1	EA	Not available online / Call for pricing and availability
14	M0210458	Screw, SM	1	EA	
15	016179-000	PIVOT PL ASM RH LW FOL	1	EA	
NI	G50911822	42" DISP. Z BRACKET KIT	1	EA	

REFRIGERATOR SHELVING

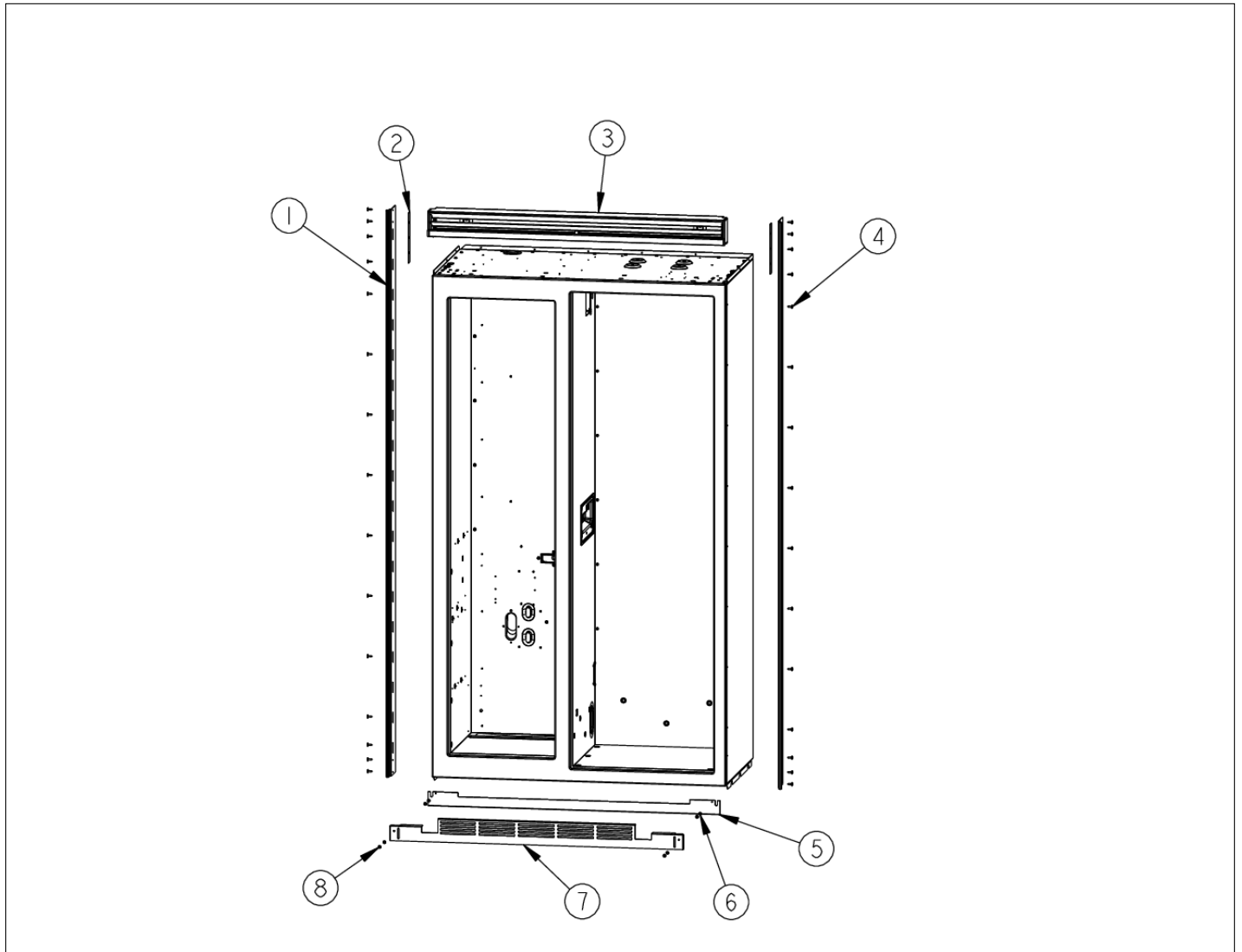






Item	Part No.	Name	Qty	Uom	NOTES
1	043623-000	SHELF ASM GLASS 42 FF	1	EA	
2	DELI DRAWER	SEE PAGE 002 FOR BREAKDOWN	1	EA	
3	Produce Drawer	SEE PAGE 003 FOR BREAKDOWN	1	EA	Not available online / Call for pricing and availability
4	CONV. MEAT SAVER DRAWER	SEE PAGE 004 FOR BREAKDOWN	1	EA	

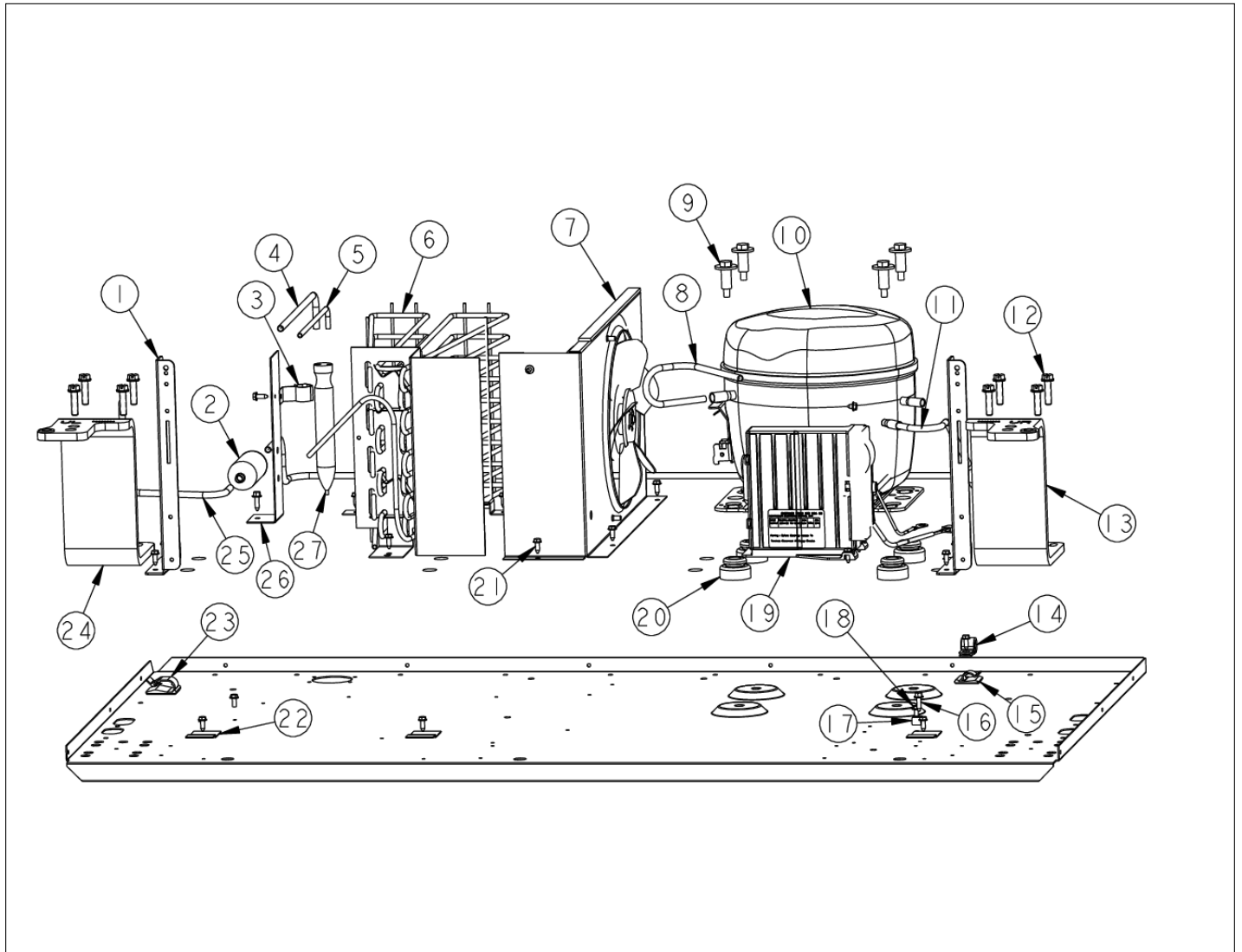
UNIT EXTERIOR





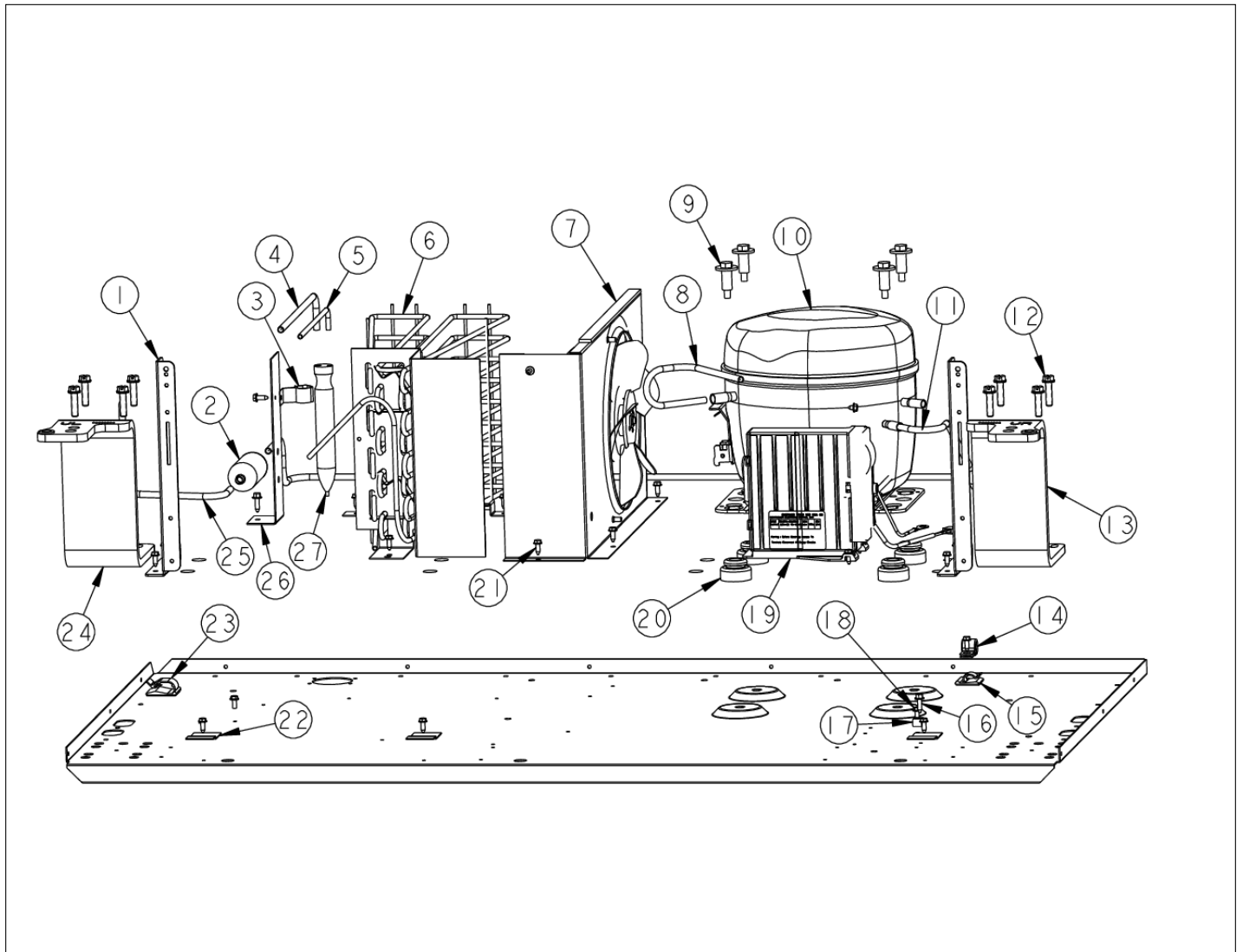
Item	Part No.	Name	Qty	Uom	NOTES
1	PK920066	TRIM, EXTRU, SIDE DES		EA	
2	12135402	SHIM-CAB TRIM		EA	
3	G32912542	GRILLE ASM SXS 42 FOL		EA	
Not Shown	NOTE	For breakdown see page 016		EA	
4	M0210458	Screw, SM		EA	
5	000207-002	KICKPLATE, LWR		EA	
6	40370P01	NYLON FLAT WASHER V40370P01		EA	
7	C9097789BK	GRILLE TOE VENTED BK		EA	
8	M0210443	SCREW-E SM VM0210443		EA	
NI	G50915601	GRILLE TOE ASM SXS 42		EA	
NI	PK930299	COLLAR SLEEVE SXS DISP		EA	

UPPER UNIT AREA





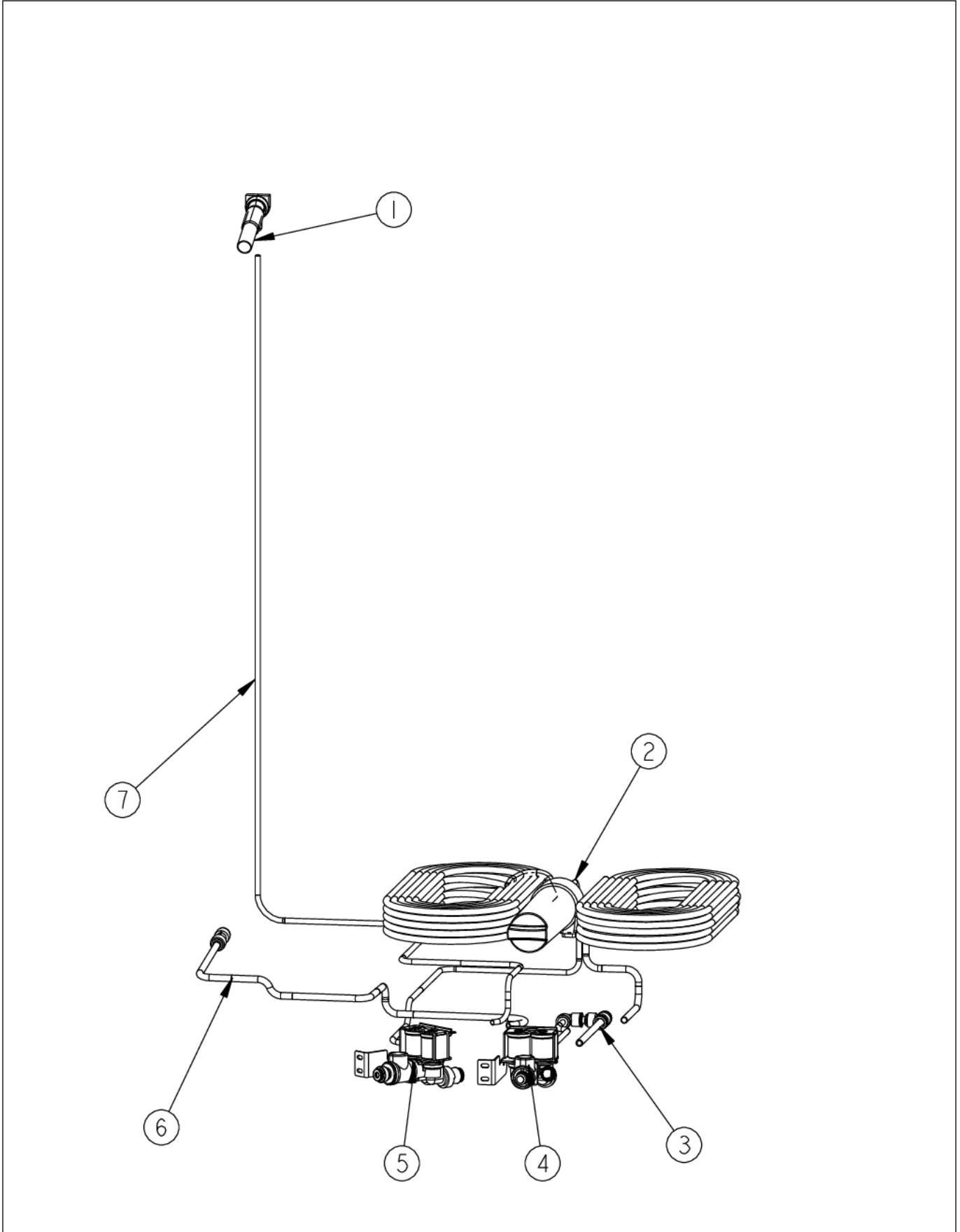
Item	Part No.	Name	Qty	Uom	NOTES
1	K20912569	BRACKET GRILLE SUPPORT	1	EA	
2	PB920201	ACCUMULATOR	1	EA	
3	10547001	CLIP-DRIER V10547001	1	EA	
4	F2097740	TUBE PROCESS	1	EA	
5	F2096504	TUBE-DRIER EXT	1	EA	
6	PB920171	CONDENSER ASM	1	EA	
7	G5096494	COND. FAN ASSY	1	EA	
8	F2096507	TUBE-PROCESS GRN	1	EA	
9	M0221523	SCREW - SHLDR	1	EA	
10	G5097976	Compressor Assembly (Includes Drier)	1	EA	
11	F2099443	TUBE DISCHARGE FORMED PRE ACCUM	1	EA	
12	000570-000	FASTENER, BOLT, 1/4-20 IHXWS 1" S ZN SER	1	EA	
13	PC920203	HINGE ASM UR	1	EA	
14	PD030118	INSULATED CLAMP	1	EA	
15	M0104106	CLIP-CORD VM0104106	1	EA	
16	PD020195	SCR 8-18 X 5/8	1	EA	
17	M0103904	CLAMP-SPEED	1	EA	NO LONGER AVAILABLE, Not available online / Call for pricing and availability
18	PD020010	10 X 3/8 GREEN GROUNDING SCREW	1	EA	
19	011666-000	INVERTER,CMPR,ASM	1	EA	
Comments for Part Num. 011666-000					
gboltz@VikingRange.com on Aug 9, 2018					
See 2018-01P Parts Bulletin					
20	10835901	GROMMET RUBBER V10835901	1	EA	
21	PD020194	SCREW-SM	1	EA	
22	K2096943	PANEL BRACKET	1	EA	
23	M0104102	CLIP-CORD RED	1	EA	
24	PC920204	HINGE ASM UL	1	EA	





Item	Part No.	Name	Qty	Uom	NOTES
25	F2099444	TUBE DISCHARGE FORMED POST ACCUM	1	EA	
26	K2099454	BRACKET DRIER	1	EA	
27	PM010616	DRIER - HIGH SIDE	1	EA	

WATER SYSTEM







Item	Part No.	Name	Qty	Uom	NOTES
1	G5096419	FILL TUBE ASSY	1	EA	
Comments for Part Num. G5096419					
bradleysapplianceservice@shaw.ca on May 11, 2018					
This part G5096419 does NOT come with the aluminum tube.					
If aluminum tube is required, order 005899-000 and cut to size.					
2	041669-000	FILTER/COIL TUBE ASSEMBLY	1	EA	
3	PB020322	TUBE AND FITTING ASM	1	EA	
4	PA070014	WATER VALVE	1	EA	
5	G50911843	WATER VALVE KIT	1	EA	
6	PB020294	TUBE ASM-DOOR TO VALVE	1	EA	
7	PB020303	Water Line	1	EA	
NI	PB020302	PLASTIC TUBING-DOOR WATERLINE SXS DISP	1	EA	



Appendix A:Pages Index

040066-000 HARNESS JUMPER LOWER ..... 1  
040078-000 HARNESS, JUMPER, DIS ..... 2  
040085-000 HARNESS, MAIN ..... 3  
10916507 POWER CORD ..... 4  
CONTROL AREA ..... 5  
CONVERTIBLE MEAT SAVER ..... 6  
DELI DRAWER ..... 7  
DISPENSER AREA ..... 8  
EVAPORATOR AREA ..... 9  
FREEZER COMPARTMENT ..... 10  
FREEZER DOOR FOAM AREA ..... 11  
FREEZER SHELVING ..... 12  
ICE MAKER AREA ..... 13  
LOWER UNIT AREA ..... 14  
MC COVER AND GRILLE AREA ..... 15  
PE070785 HIGH VOLT HARNESS ..... 16  
PE970464 LOW VOLT HARNESS ..... 17  
PE970595 MACHINE HARNESS ..... 18  
PE970609 CONTROL BOARD HARNESS ..... 19  
PRODUCE DRAWER ..... 20  
REFRIGERANT SYSTEM ..... 21  
REFRIGERATOR COMPARTMENT ..... 22  
REFRIGERATOR DOOR FOAM AREA ..... 23  
REFRIGERATOR SHELVING ..... 24  
UNIT EXTERIOR ..... 25  
UPPER UNIT AREA ..... 26  
WATER SYSTEM ..... 27



Appendix B:Parts Index

000207-002	25	045689-000	6
000570-000	14, 26	046235-000	7, 20
000953-000	11, 23	046255-000	7, 20
001942-000	11	053308-000	21
001957-000	23	058966-000	9
002667-000	14	060890-000	14
002668-000	14	060891-000	14
00334-000	8	10270203	22
004528-000	10, 22	10276601	13
004551-000	10, 14, 22	10428101	9
005319-000	5	10527401	9
005451-000	23	10547001	26
005453-000	11	10623003	9
009927-000	20	10629001	9
011666-000	26	10835901	26
013685-000	8	10916507	4
015813-000	13	12064001	5
016179-000	23	12064701	12
016180-000	11	12135402	25
016193-000	15	12258501	13
016196-000	15	40370P01	25
019144-000	13	A3030303	9
019244-000	22	A3030361	5, 9
020117-000	10	A3189370	9, 15
029418-000	13	A4554806	14, 15
033785-000	23	A4554817	5, 14
036888-000	11	B10910081	8
036890-000	23	B20911863	13
040066-000	1	B20915627	14
040078-000	2	B5733302	10, 22
041624-000	8	B8385402	8
041669-000	27	C8983701	10, 22
043051-000	3	C90910027WH	13
043156-000	13	C90914113WH	13
043623-000	7, 20, 24	C9097789BK	25
044214-000	7, 20	F20915693	14
044219-000	7, 20	F2096504	21, 26
044232-000	6	F2096507	21, 26
044370-000	14	F2097740	21, 26
044384-000	6	F2099443	21, 26
		F2099444	21, 26



# DFSB423DJMAG-RSERIES

G32015037	23	K2099470	15
G32912542	25	K2099471	15
G32915036	11	L20910054	10
G4096419	13	L20910056	10
G50911822	23	L20910057	10
G50911843	14, 27	L20910067	12
G50911853	14	L20910075	10
G50913708	22	L20914114	10
G50914155	8	L20914115	10
G50915601	25	L2097158WH	10, 13
G5096419	27	L2099251	22
G5096494	26	L2099474	22
G5097976	21, 26	L2099475	10
G5098660	9	M0103904	26
K20910060	5	M0104102	26
K20910061	5	M0104106	5, 26
K20911831	14	M0210443	8, 25
K20912569	26	M0210458	11, 23, 25
K20913096	22	M0211014	10
K20913790	14	M0211021	6, 13
K20914175	14	M0213147	15
K2091500	5	M0213503	13
K20915675	15	M0215318	8, 11, 15
K20915903	15	M0215704	11, 23
K20915952	14	M0220417	14
K2096456	9	M0221523	14, 26
K2096457	9	M0221913	10, 22
K2096458	9	M0223101	13
K2096461	9	M0224128	5, 6, 15
K2096475	10, 22	M0230028	15
K2096943	26	M0238535	10, 22
K2098044	14	M0238846	5
K2098096	14	M0238859	9
K2098654	5	M0253916	14
K2099402	5	M0270546	8
K2099454	26	M0288120	5, 10, 22
K2099455	15	M0580007	10
K2099458	15	M0585504	5
K2099459	15	M0585506	5
K2099460	15	PA070014	14, 27
K2099461	15	PB020294	27



# DFSB423DJMAG-RSERIES

PB020302	27	PD940090	14
PB020303	27	PD940091	14
PB020322	27	PD940094	14
PB070355	15	PD940107	14
PB070360	15	PD950019	11, 23
PB070361	15	PE050248	14
PB910228	8	PE070728	5
PB920171	26	PE070755	8
PB920201	21, 26	PE070785	16
PB970171	15	PE950125	10, 22
PB980026	8	PE950146	14
PC010022	8	PE950147	14
PC020275	11	PE950149	5
PC020288	14	PE950152	8
PC020289	14	PE950158	13
PC040010	5, 5, 15	PE950159	5
PC910015	14	PE970464	17
PC920144	14	PE970595	18
PC920145	14	PE970609	19
PC920149	14	PF930487	5
PC920166	14	PF930672	5
PC920203	26	PJ910031	9
PC920204	26	PK020079	22
PD020010	14, 26	PK030470	8
PD020013	5	PK050004	15
PD020188	10, 22	PK920066	25
PD020191	13	PK930074	12
PD020193	8	PK930075	12
PD020194	5, 8, 9, 10, 12, 13, 14, 15, 22, 26	PK930085	22
PD020195	6, 22, 26	PK930086	10
PD020233	15	PK930096	13
PD020234	14	PK930107	12
PD020274	14	PK930114	6
PD030118	26	PK930115	22
PD030146	14	PK930120	6
PD040071	8	PK930121	7
PD040157	15	PK930123	23
PD920161	7, 20	PK930170	6
PD920162	6, 7, 20	PK930171	6
PD920174	11, 23	PK930172	6
PD920193	10	PK930173	6



# DFSB423DJMAG-RSERIES

PK930174	6	PM910349	15
PK930175	6	PM910375	10
PK930176	6	PM910411	12
PK930230	5	PM910435	13
PK930237	22	PM910506	15
PK930264	13	Produce Drawer	24
PK930265	13	V12221005	8
PK930266	13	V12268304	8
PK930297	11		
PK930298	11		
PK930299	25		
PK930313	22		
PK930346	22		
PK930348	14		
PK930404	8		
PM010612	23		
PM010613	11		
PM010616	21, 26		
PM010625	8		
PM910071	15		
PM910072	15		
PM910084	15		
PM910097	11, 23		
PM910190	12		
PM910206	9, 21		
PM910227	22		
PM910231	12		
PM910287	6		
PM910288	6		
PM910305	15		
PM910309	15		
PM910312	23		
PM910313	11		
PM910325	5		
PM910331C	13		
PM910334	6		
PM910342	7, 20		
PM910343	7, 20		
PM910344	23		
PM910345	11		
PM910348	15		