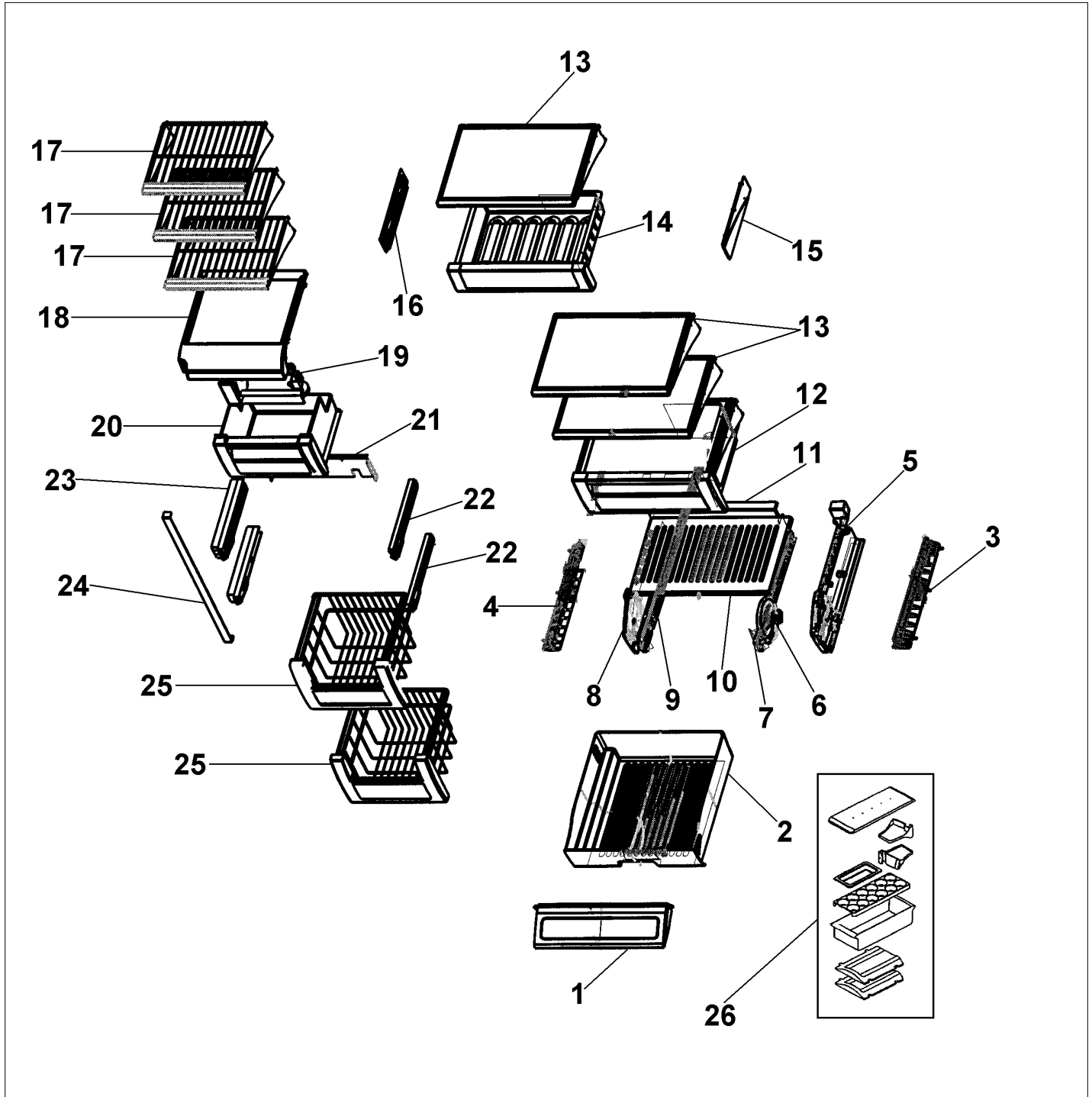


DFSB423

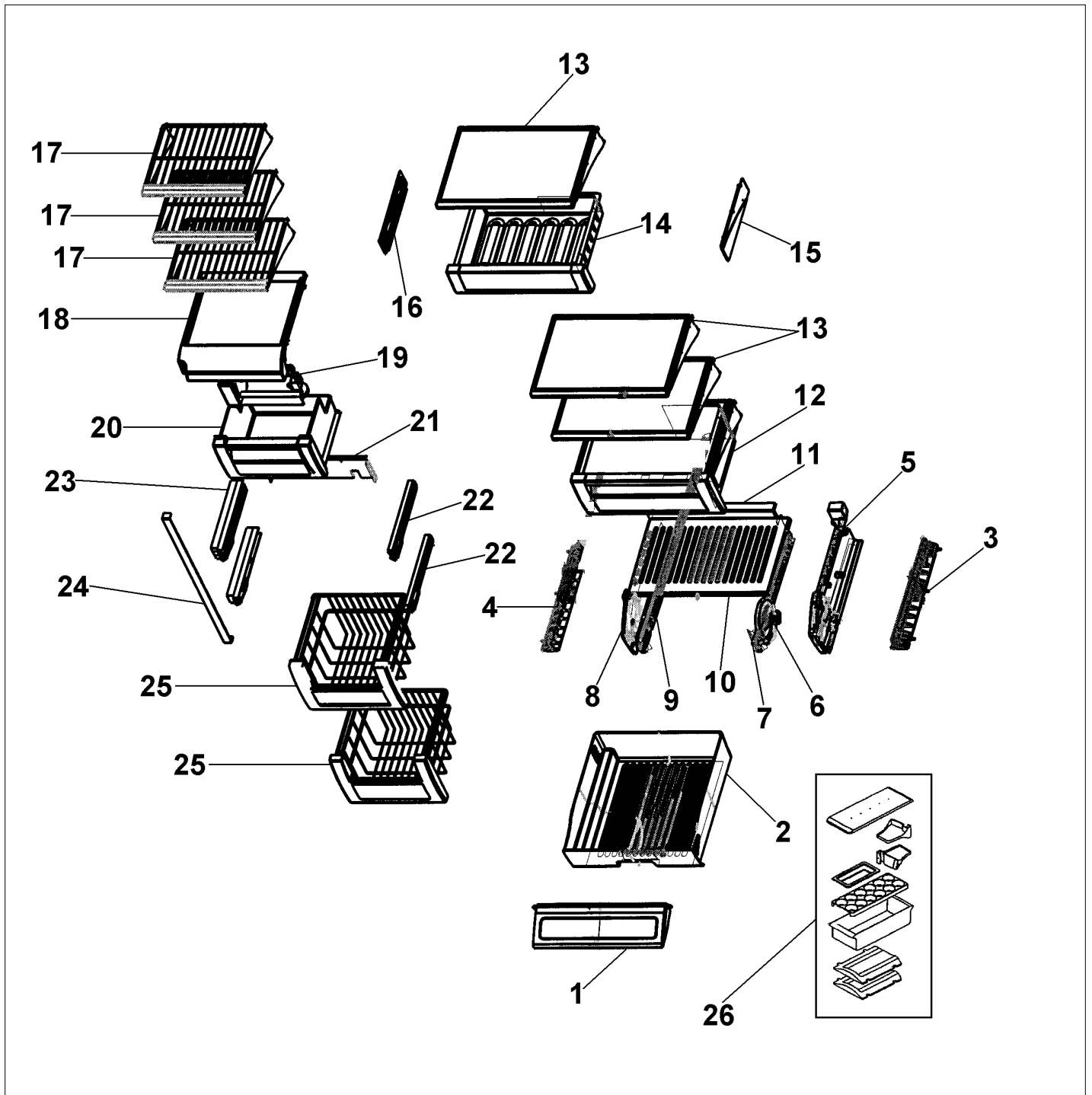
CABINET SHELVING ASSEMBLY	1
EVAPORATOR AREA ASSY	2
FREEZER DOOR ASSY	3
HIGH SIDE ASSY	4
INTERIOR UPPER CABINET ASSY	5
LOWER UNIT ASSEMBLY	6
REF. DOOR ASSY.	7
UPPER GRILLE ASSY.	8
UPPER UNIT COVER ASSY	9
Appendix A:Pages Index	A
Appendix B:Parts Index	B

CABINET SHELVING ASSEMBLY





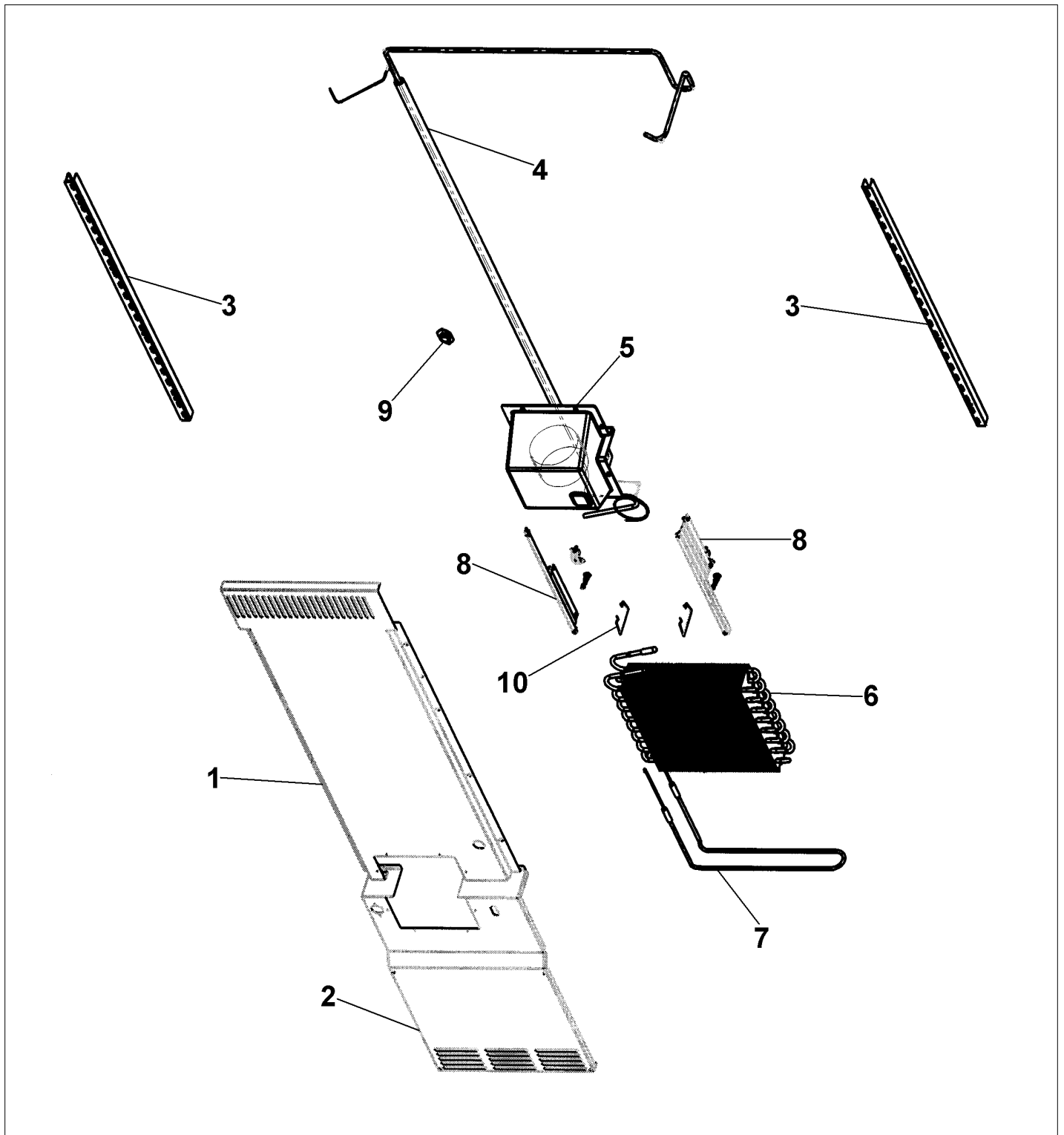
Item	Part No.	Name	Qty	Uom	NOTES
1	045689-000	DOOR MEATSAVOR ASM SXS 42	1	EA	
2	PK930114	DRAWER MEAT SAVOR SXS 42	1	EA	
3	PK930173	SUPPORT SLIDE MEAT SAVOR SXS 42/48 R	1	EA	
4	PK930174	SUPPORT SLIDE MEAT SAVOR SXS 42/48 L	1	EA	
5	044232-000	DUCT MEAT SAVOR (R)	1	EA	
6	044384-000	DIAL CONTROL MEAT SAVOR	1	EA	
7	PK930175	SUPPORT DRAWER MEAT SAVOR SXS 42/48 R	1	EA	
8	PK930170	DUCT MEAT SAVOR SXS 42 L	1	EA	
9	PK930176	SUPPORT DRAWER MEAT SAVOR 42/48 L	1	EA	
10	PK930120	SHELF MEAT SAVOR SXS 42	1	EA	
11	PK930171	DUCT MEAT SAVOR SXS 42 REAR	1	EA	
12	009927-000	PRODUCE 42	1	EA	
13	PM910236	GLASS SHELF	1	EA	Not available online / Call for pricing and availability
14	PK930121	DRAWER DELI ASM SXS 42	1	EA	
15	PK930189	SLIDE SUPPORT (RIGHT)	1	EA	Not available online / Call for pricing and availability
16	044219-000	SUPPORT SLIDER L	1	EA	
17	PM910411	SHELF WIRE AF 36	1	EA	
18	PK930079	SHELF COVER SXS 48 FZ	1	EA	
19	G50911858	ICE MAKER ASM, NLA, order components, see TR-0023C-SP	1	EA	NO LONGER AVAILABLE





Item	Part No.	Name	Qty	Uom	NOTES
<p>Comments for Part Num. G50911858</p> <p>jennifer@thetrend.com on Feb 12, 2016 It would be nice to have the ice maker in the right location. Even better if it gave the right part number.</p> <p>vharding68@verizon.net on Mar 16, 2016 Doesn't matter where it is or the part number....There has been a bulletin on these ice makers since November of 2007 (Btw...it is superseded by another bulletin that is prior to that date). Bulletin number TR-0023B-SP</p> <p>Val @ bob's, pa bradleysapplianceservice@shaw.ca on Sep 1, 2016 SERVICE BULLETIN: TR-0023B-SP SUBS TO: 002252-000 ICE MAKER MODULE 002251-000 ICE MAKER BAIL ARM 002253-000 ICE MAKER WIRE HARNESS</p> <p>platinumcares@aol.com on Dec 4, 2017 i/m assy #002252-000 wire harness 002253-000 arm # 002251-000</p> <p>you will need all three</p>					
20	PK930076	ICE PAN ASM SXS 48	1	EA	
21	C2097183	SUPPORT IM ND SXS 48	1	EA	
22	PK930074	GLIDE SXS 48 FZ R	1	EA	
23	PK930075	GLIDE SXS 48 FZ L	1	EA	
24	PK930073	CLOSEOUT SIDE SXS 48 FZ L	1	EA	
25	PM910190	BASKET ASM FZ	1	EA	
26	019244-000	ACCESSORY, ASM	1	EA	

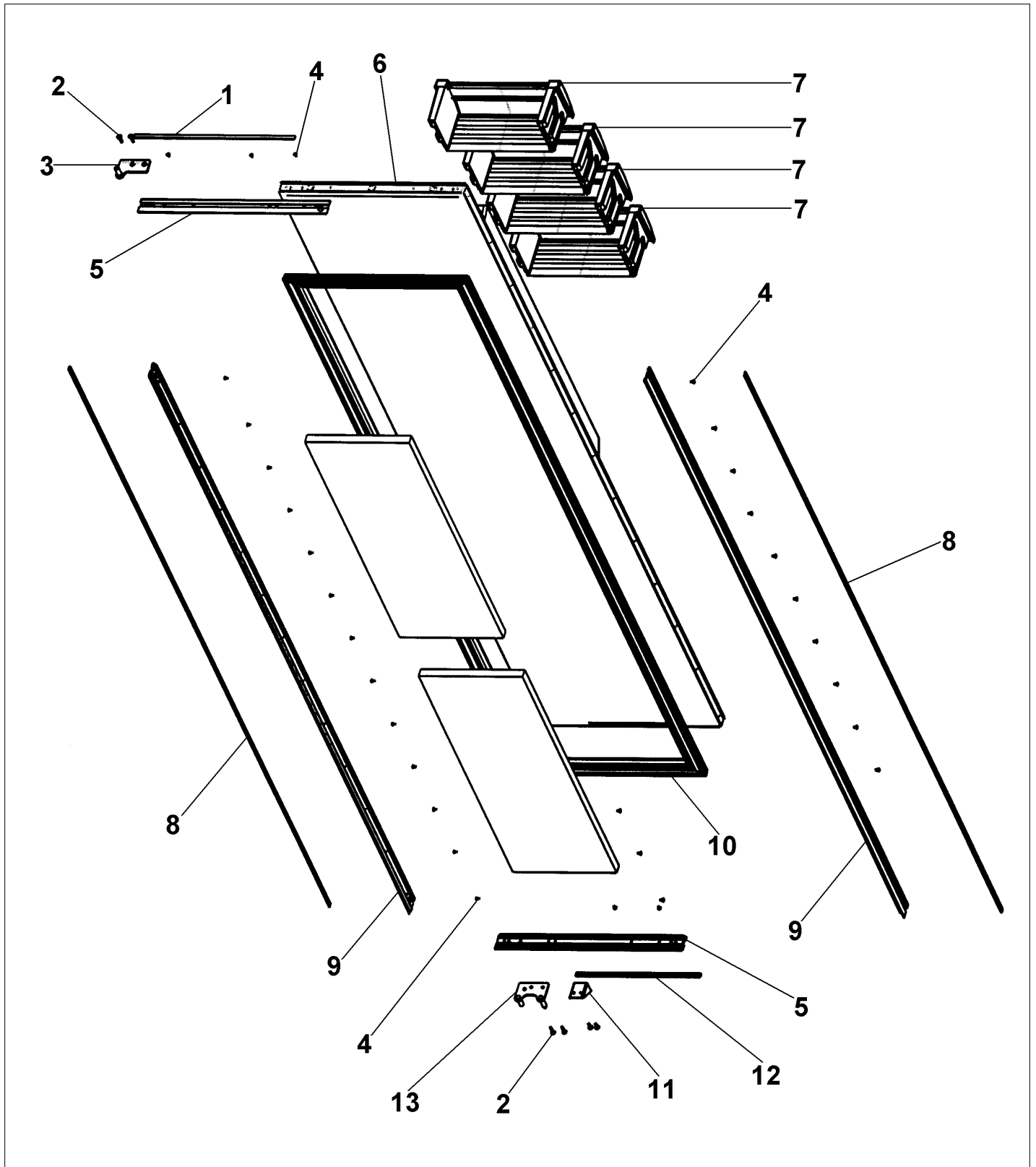
EVAPORATOR AREA ASSY





Item	Part No.	Name	Qty	Uom	NOTES
1	L2097181	COVER EVAP UPPER SXS 48	1	EA	
2	L2097182	COVER EVAP LOWER SXS 48	1	EA	
3	12231701	LADDER-FZ L/R SIDE 42/48	1	EA	
4	053308-000	HEAT EXCHANGER ASM SXS 42	1	EA	
5	PK930150	COVER CTR EVAP SXS	1	EA	
NI	G5098660	FAN EVAP ASM PANASONIC	1	EA	
6	PM910206	EVAPORATOR SXS 48	1	EA	
7	PJ910031	HEATER EVAP SXS	1	EA	
8	K2096461	BRKT-EVAP COVER 12234801	1	EA	
9	C8983701	THERMISTOR	1	EA	
10	10527401	CLIP-EVAP	1	EA	
NI	058966-000	THERMOSTAT, SNAP ACTION, 55 OPEN 20 CLOSE	1	EA	

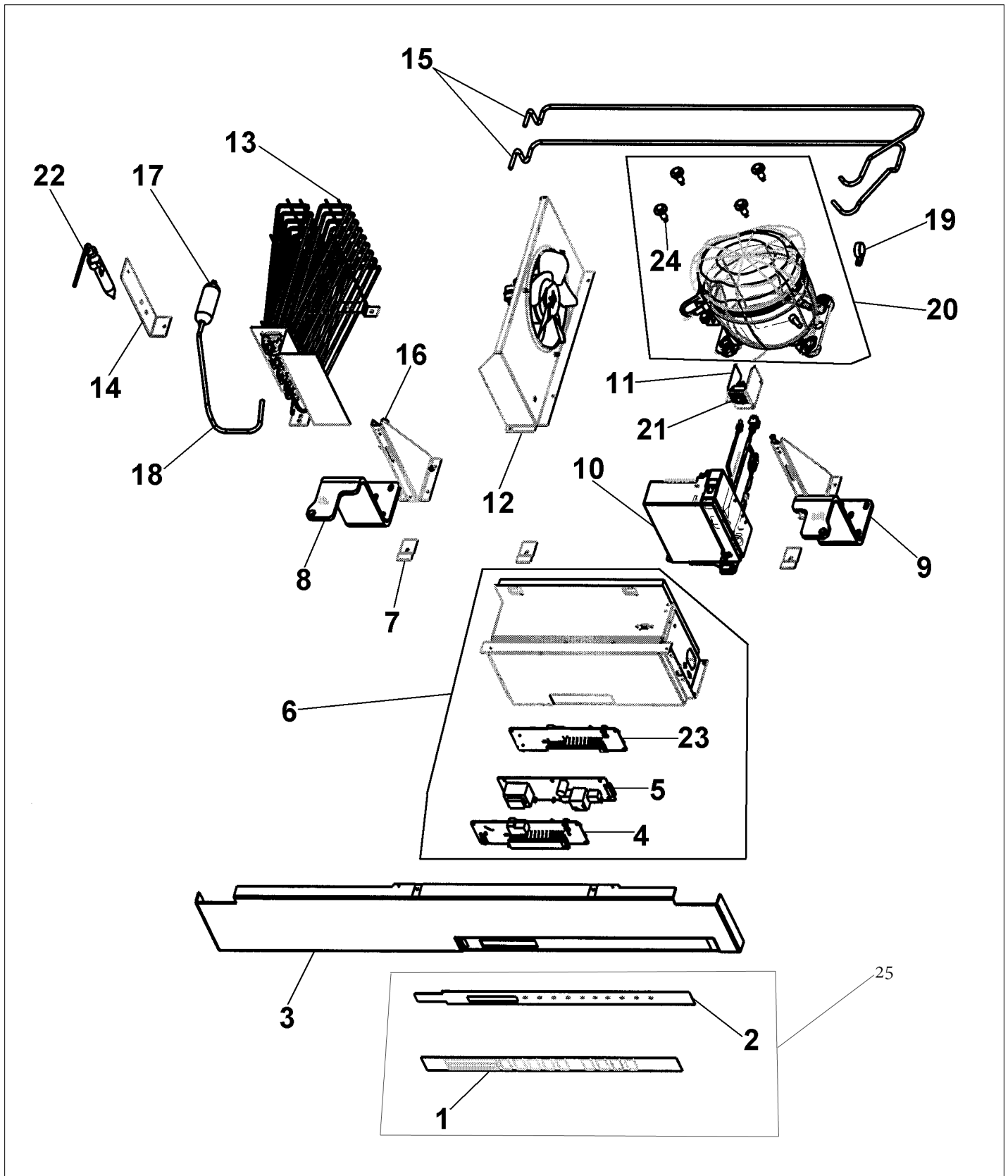
FREEZER DOOR ASSY





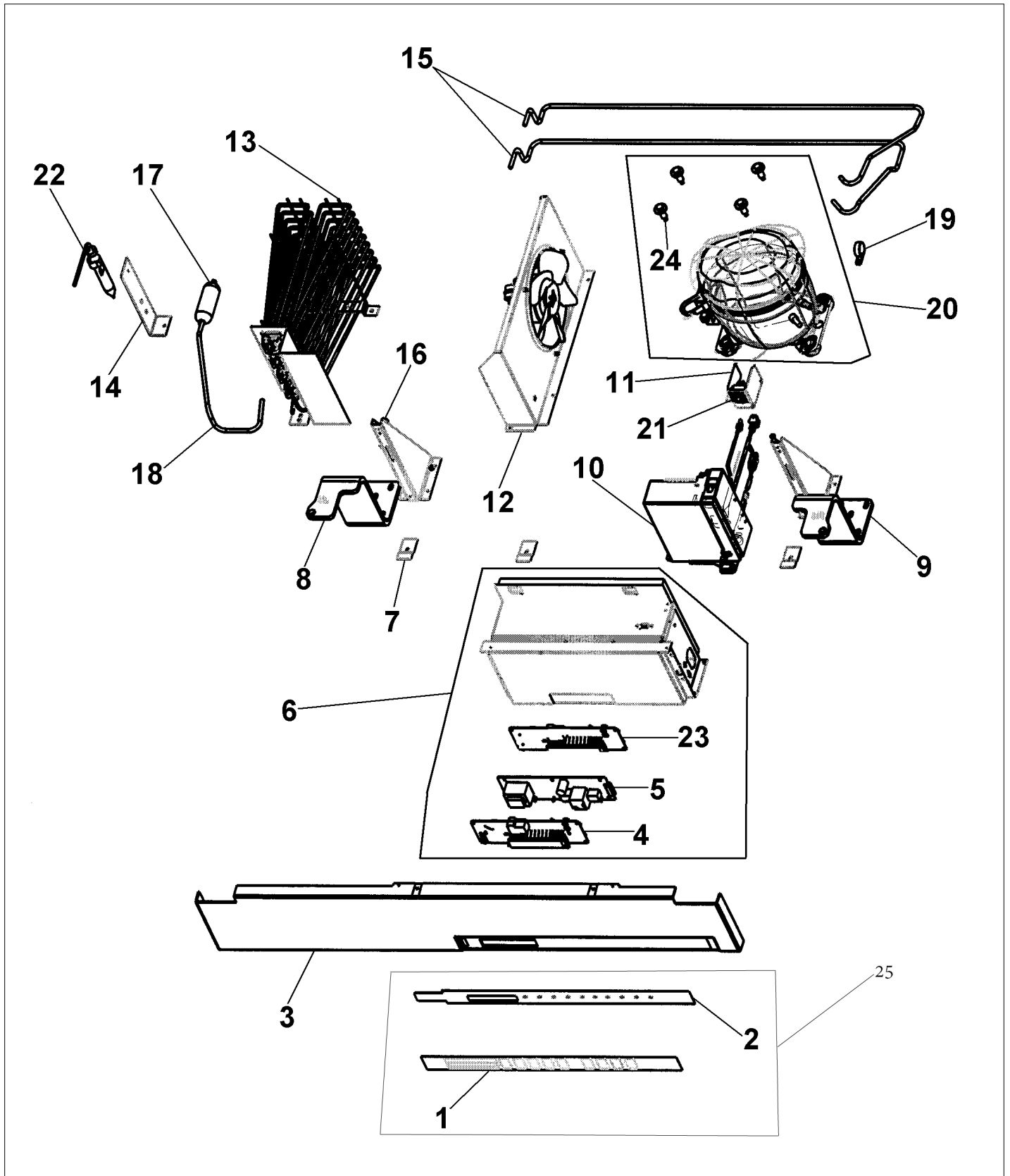
Item	Part No.	Name	Qty	Uom	NOTES
1	PM910345	INSERT FRAME DOOR TOP SXS 42 FZ FO		EA	
2	M0226233	SUB TO PD920174 - 10 X 7/8 PHILLIPS SMA TRI LOBE SA		EA	
3	PC920208	PIVOT PL ASM LH UP FOL		EA	
4	M0215704	SCREW-SM		EA	
5	PM910311	Frame - Top / Bottom		EA	
6	G5098626	DOOR ASM SXS 42 FZ		EA	Not available online / Call for pricing and availability
7	036888-000	DOORBIN ASM SXS FZ		EA	
8	PM910097	INSERT SXS FF/FZ SIDE 12063706		EA	
9	000953-000	EXTRUSION,FOL,SIDE		EA	
10	PB070291	DOOR GASKET, 42 SXS FZ SIDE CHARGE		EA	
11	PD050019	STRIKER DOOR SWITCH		EA	
12	PM910313	INSERT FRAME DOOR BTM SXS 42 FZ FO		EA	Not available online / Call for pricing and availability
13	PC920206	PIVOT PL ASM LH LW FOL		EA	

HIGH SIDE ASSY



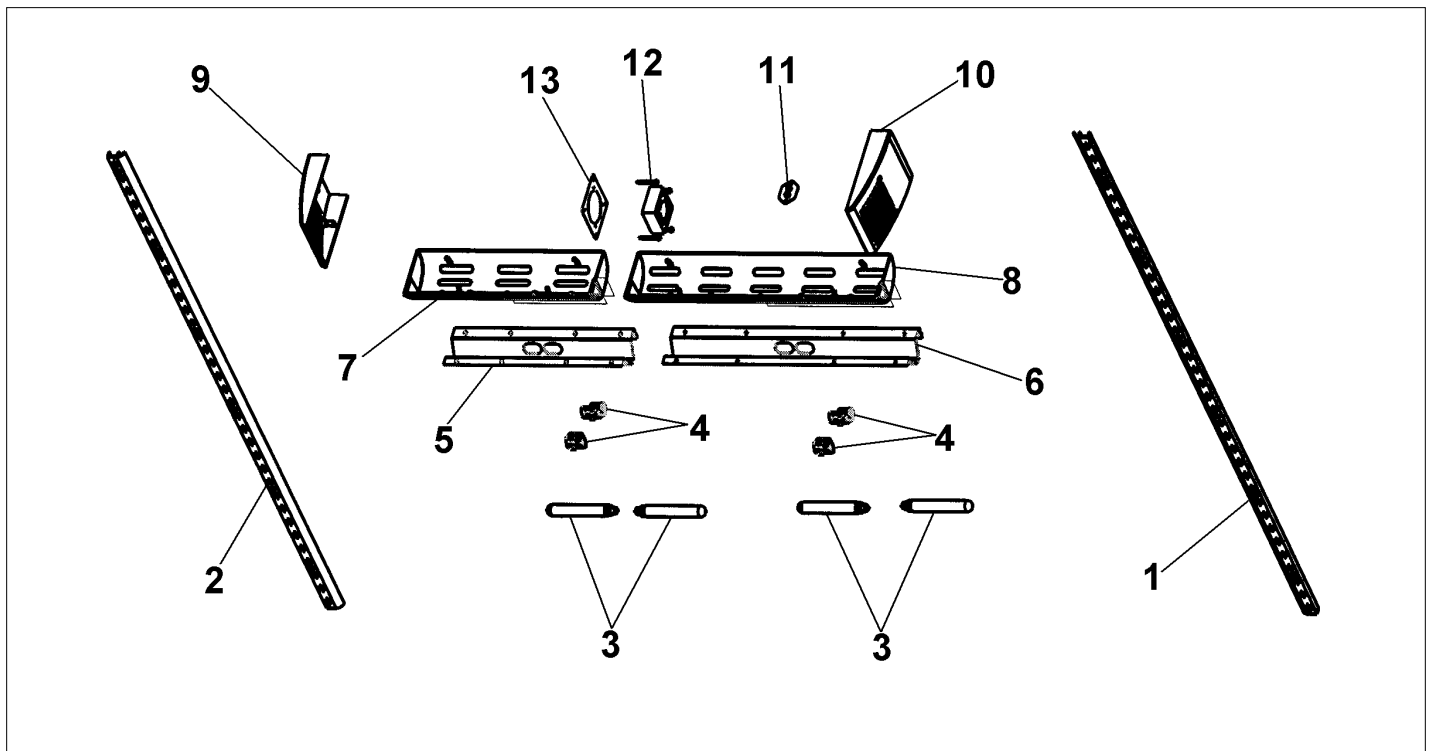


Item	Part No.	Name	Qty	Uom	NOTES
1	Order #25	Switch, Keyboard		EA	
2	Order #25	Switch, Keyboard		EA	
3	PK930230	Control Panel		EA	
4	002670-000	LOW VOLTAGE BOARD KIT W/HARNESS		EA	
Comments for Part Num. 002670-000 boltz on Apr 12, 2018 See TR-0022-SP Bulletin					
NI	PE970464	HARNESS LOW VOLT 5 SERIES		EA	
Not Shown	NOTE	(After 7/10/03)		EA	
5	005319-000	POWER CONTROL BOARD ASM 5 SERIES		EA	
Comments for Part Num. 005319-000 boltz on Apr 12, 2018 See TR-0056-SP Bulletin					
NI	PE970465	HARNESS HIGH VOLT		EA	
6	Not Orderable	Control Assembly		EA	
7	K2096943	PANEL BRACKET		EA	
8	PC920204	HINGE ASM UL		EA	
9	PC920203	HINGE ASM UR		EA	
10	011666-000	INVERTER,CMPR,ASM		EA	
Comments for Part Num. 011666-000 gboltz@VikingRange.com on Aug 9, 2018 See 2018-01P Parts Bulletin					
11	K2098654	Bracket, Power Switch		EA	
12	G5096494	COND. FAN ASSY		EA	
13	PB920171	CONDENSER ASM		EA	
14	K2099454	BRACKET DRIER		EA	
15	F2099443	TUBE DISCHARGE FORMED PRE ACCUM		EA	
16	C2097595	Louver Support Bracket		EA	



Item	Part No.	Name	Qty	Uom	NOTES
17	PB920201	ACCUMULATOR		EA	
18	12075003	Discharge Tube - Post Accumulator		EA	
19	M0102303	Clamp, Tube		EA	
20	G5097976	Compressor Assembly (Includes Drier)		EA	
21	PE950149	SWITCH POWER		EA	
22	PM010616	DRIER - HIGH SIDE		EA	
23	PE970330	Adapter Board		EA	
NI	PE970331	Harness, Adapter Board		EA	
24	M0221523	SCREW - SHLDR		EA	
25	PE950175	Overlay Switch SXS 42 NON-DISP		EA	

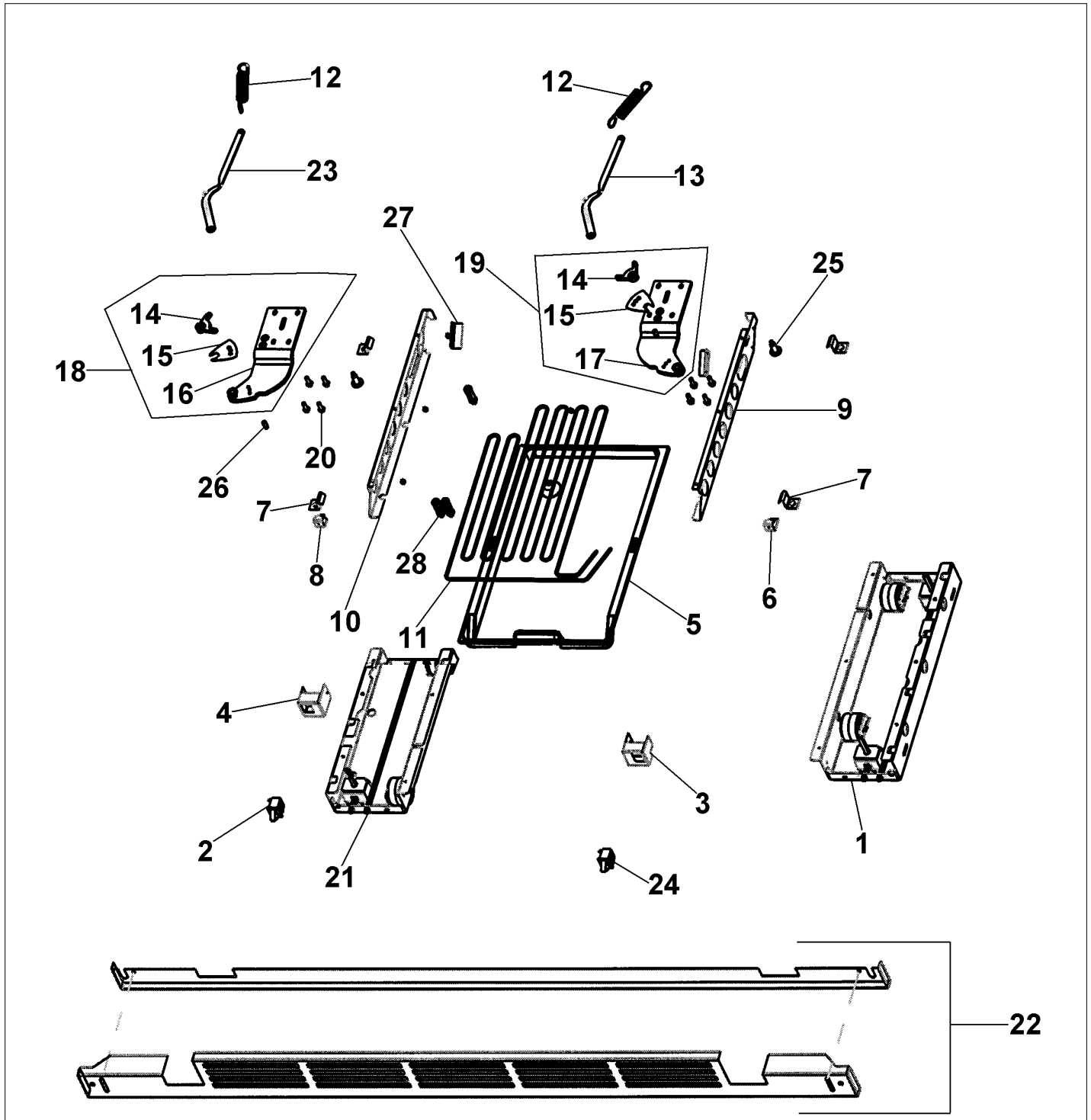
INTERIOR UPPER CABINET ASSY





Item	Part No.	Name	Qty	Uom	NOTES
1	PK920024	LADDER FF R	1	EA	
2	PK920023	LADDER FF L	1	EA	NO LONGER AVAILABLE, Not available online / Call for pricing and availability
3	004528-000	LAMP, 40 WATT CLEAR LIGHT	1	EA	
4	PE950125	LIGHT SOCKET	1	EA	
5	L2099453	BRACKET, FRZ. LIGHT	1	EA	Not available online / Call for pricing and availability
6	L2099452	BRKT LIGHT FF SXS	1	EA	NO LONGER AVAILABLE, Not available online / Call for pricing and availability
7	020117-000	COVER LIGHT ASM SXS 42 FZ	1	EA	
8	PK930115	COVER LIGHT ASM SXS 42 FF	1	EA	
9	PK930086	COVER FAN SXS 48 FZ	1	EA	
10	PK930085	COVER FAN SXS 48 FF	1	EA	
11	C8983701	THERMISTOR	1	EA	
12	004551-000	AXIAL FAN	1	EA	
<p>Comments for Part Num. 004551-000</p> <p>gboltz@VikingRange.com on Jul 21, 2016</p> <p>View service bulletin TR-0052-SP before ordering fan, if applicable order kit instead of fan</p>					
13	K2096475	FAN MOUNTING PLATE	1	EA	
NI	10281601	SOCKET-SGL LIGHT	1	EA	
NI	10270203	HOUSING-LIGHT V10270203	1	EA	
NI	10270101	COVER, LIGHT	1	EA	
NI	013112-000	NOISE REDUCTION FAN KIT	1	EA	

LOWER UNIT ASSEMBLY



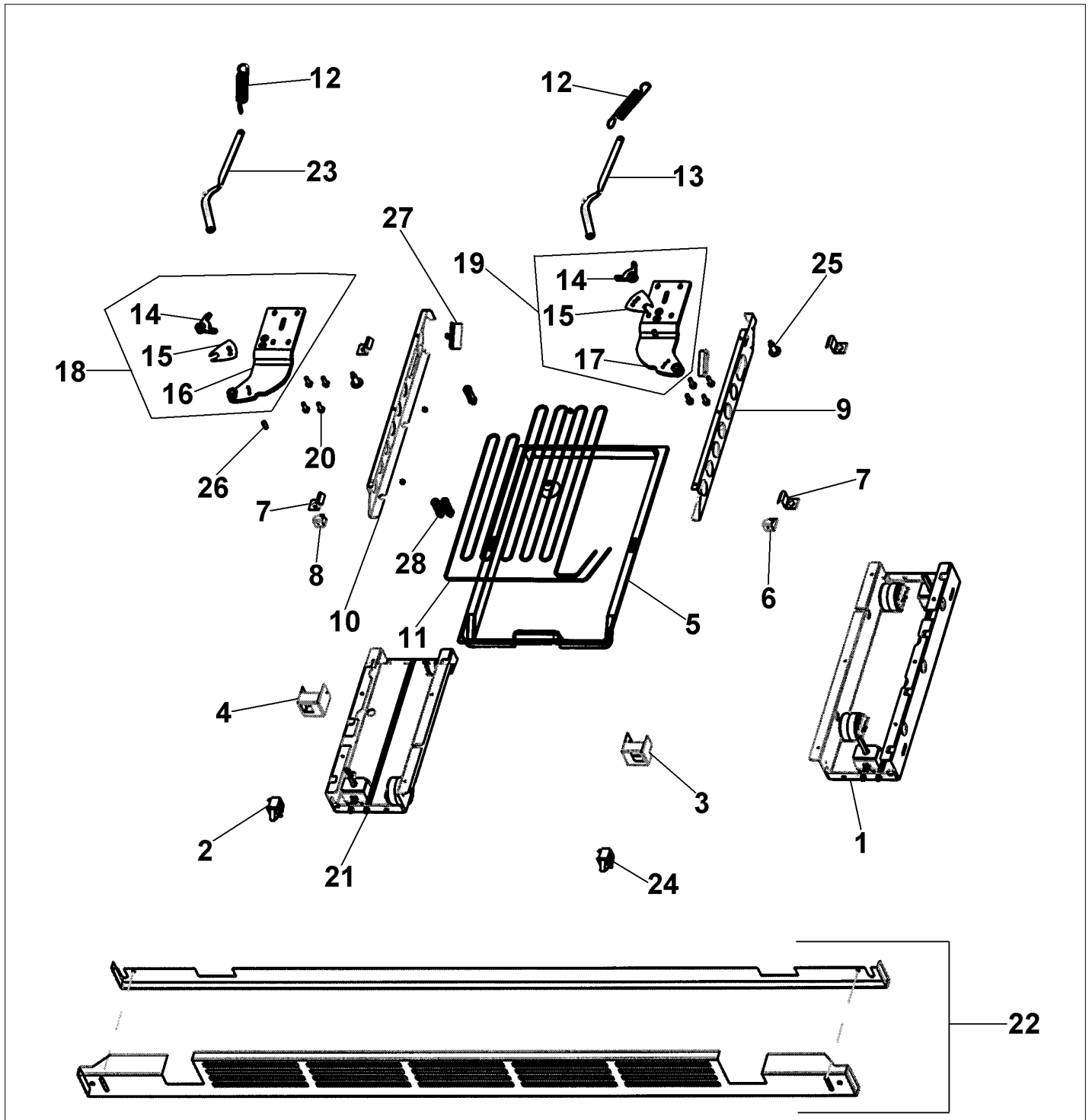


Item	Part No.	Name	Qty	Uom	NOTES
1	060890-000	LEVELER MODULE R	1	EA	
NI	PA970012	SINGLE WATER VALVE	1	EA	
2	PE950146	SPDT SWITCH	1	EA	
3	L20915004	BASE GRILLE SWITCH MNT LH	1	EA	
4	L20915003	BASE GRILLE SWITCH MNT RH	1	EA	
5	12071301	PAN, DRAIN	1	EA	
Not Shown	NOTE	(Before 02/07/05)		EA	
Not Shown	PK930348	PAN DRAIN	1	EA	
Not Shown	NOTE	(After 02/07/05)		EA	
6	C2098044	STAND OFF, BASE GRILLE - RH	1	EA	
7	K2096427	BRKT-SHIPPING 12071102	1	EA	
8	C2098096	STAND OFF, BASE GRILLE - LH	1	EA	
9	K2099456	RAIL PAN R	1	EA	
10	K2099457	RAIL PAN L	1	EA	NO LONGER AVAILABLE
11	F2096550	SERPENTINE DRAIN SXS	1	EA	
12	PC910015	SPRING EXTENSION	1	EA	
13	PC920166	HINGE ASM COMPLETE RR	1	EA	
14	PD940091	BUSHING - DOOR STOP	1	EA	
15	PC920144	PLATE - WC DOOR SHIM	1	EA	
16	PC920187	HINGE PLATE LL	1	EA	NO LONGER AVAILABLE, Not available online / Call for pricing and availability
17	PC920186	HINGE PLATE LR	1	EA	NO LONGER AVAILABLE
18	G3298649	HINGE ASM COMPLETE LL	1	EA	
19	G3298648	HINGE ASM COMPLETE LR	1	EA	
20	004551-000	AXIAL FAN	1	EA	

Comments for Part Num. 004551-000

gboltz@VikingRange.com on Jul 21, 2016

View service bulletin TR-0052-SP before ordering fan, if applicable order kit instead of fan

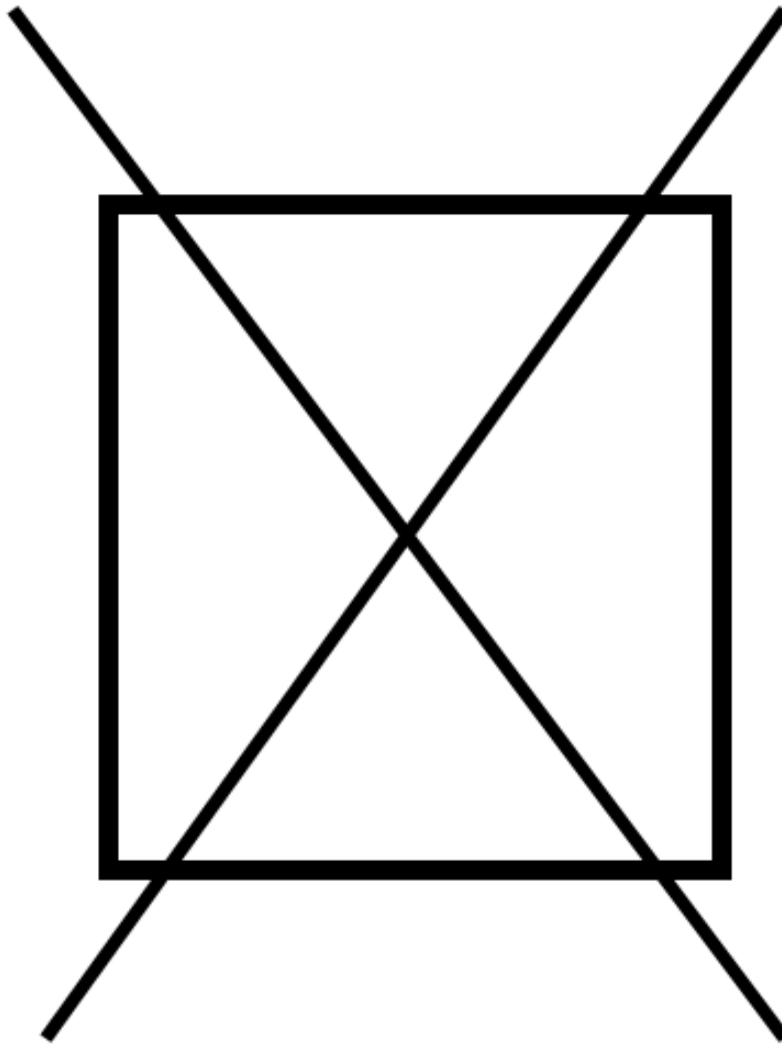




Item	Part No.	Name	Qty	Uom	NOTES
21	060891-000	LEVELER MODULE L	1	EA	
22	G5097788	TOE GRILLE ASSEMBLY	1	EA	
23	PC920149	BAR-WC BOT HINGE LH	1	EA	
24	PE950147	SWITCH SPST NC BLACK	1	EA	
Comments for Part Num. PE950147					
bradleysapplianceservice@shaw.ca on May 1, 2017					
CAUTION WHEN ORDERING DOOR SWITCH. PARTS LISTINGS COULD BE INCORRECT.					
THERE IS TWO VERSIONS OF THIS DOOR SWITCH THAT NEEDS TO BE VISUALLY CHECKED ON UNIT TO DETERMINE CORRECT PART.					
PE950146 DOOR SWITCH 3 WIRE SPDT BLACK					
PE950147 DOOR SWITCH 2 WIRE SPST BLACK					
25	M0221523	SCREW - SHLDR	1	EA	
26	PC920145	PIN - DOOR STOP	1	EA	
27	K2096439	ANGLE-DRAIN PAN 12143801	1	EA	
28	12071201	CLIP-DRAIN LOOP	1	EA	

REF. DOOR ASSY.

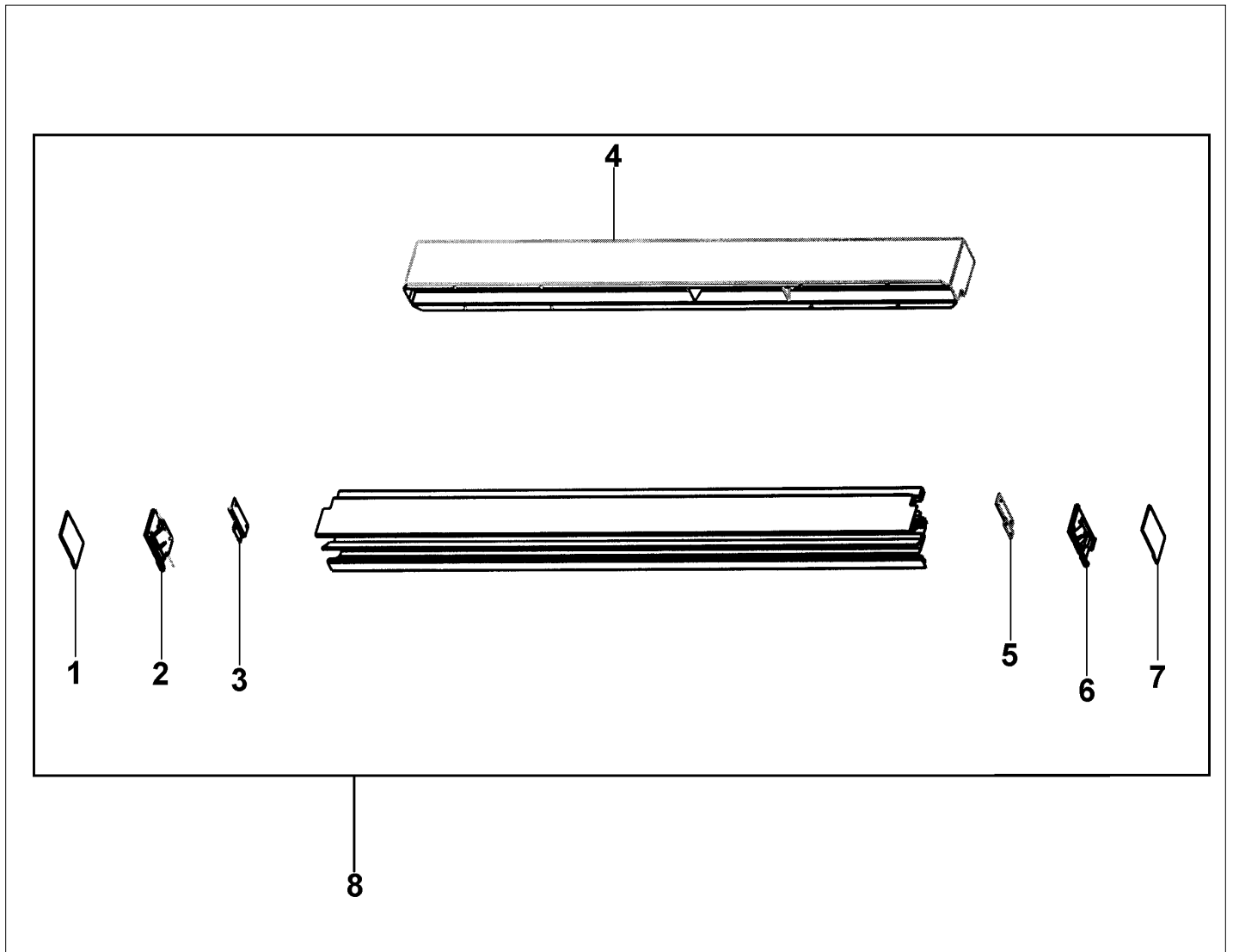
NON
ILLUSTRATED PART





Item	Part No.	Name	Qty	Uom	NOTES
1	M0226233	SUB TO PD920174 - 10 X 7/8 PHILLIPS SMA TRI LOBE SA		EA	
2	PC920205	PIVOT PL ASM RH LW FOL		EA	
3	M0210458	Screw, SM		EA	
4	PM910312	INSERT FRAME DOOR BTM SXS 42 FF FO		EA	
5	M0215704	SCREW-SM		EA	
6	PM010612	TRIM DOOR 42 FF TOP BOT FOL		EA	
7	PB070293	DOOR GASKET, 42 SXS FF SIDE CHARGE		EA	
8	PD050019	STRIKER DOOR SWITCH		EA	
9	000953-000	EXTRUSION,FOL,SIDE		EA	
10	PM910097	INSERT SXS FF/FZ SIDE 12063706		EA	
11	G5098625	DOOR ASM SXS 42 FF		EA	
12	PC920204	HINGE ASM UL		EA	
13	PM910344	INSERT FRAME DOOR TOP SXS 42 FF FO		EA	
14	PK930123	DAIRY MODULE ASM SXS 42		EA	
15	036890-000	DOORBIN ASM SXS 42 FF		EA	

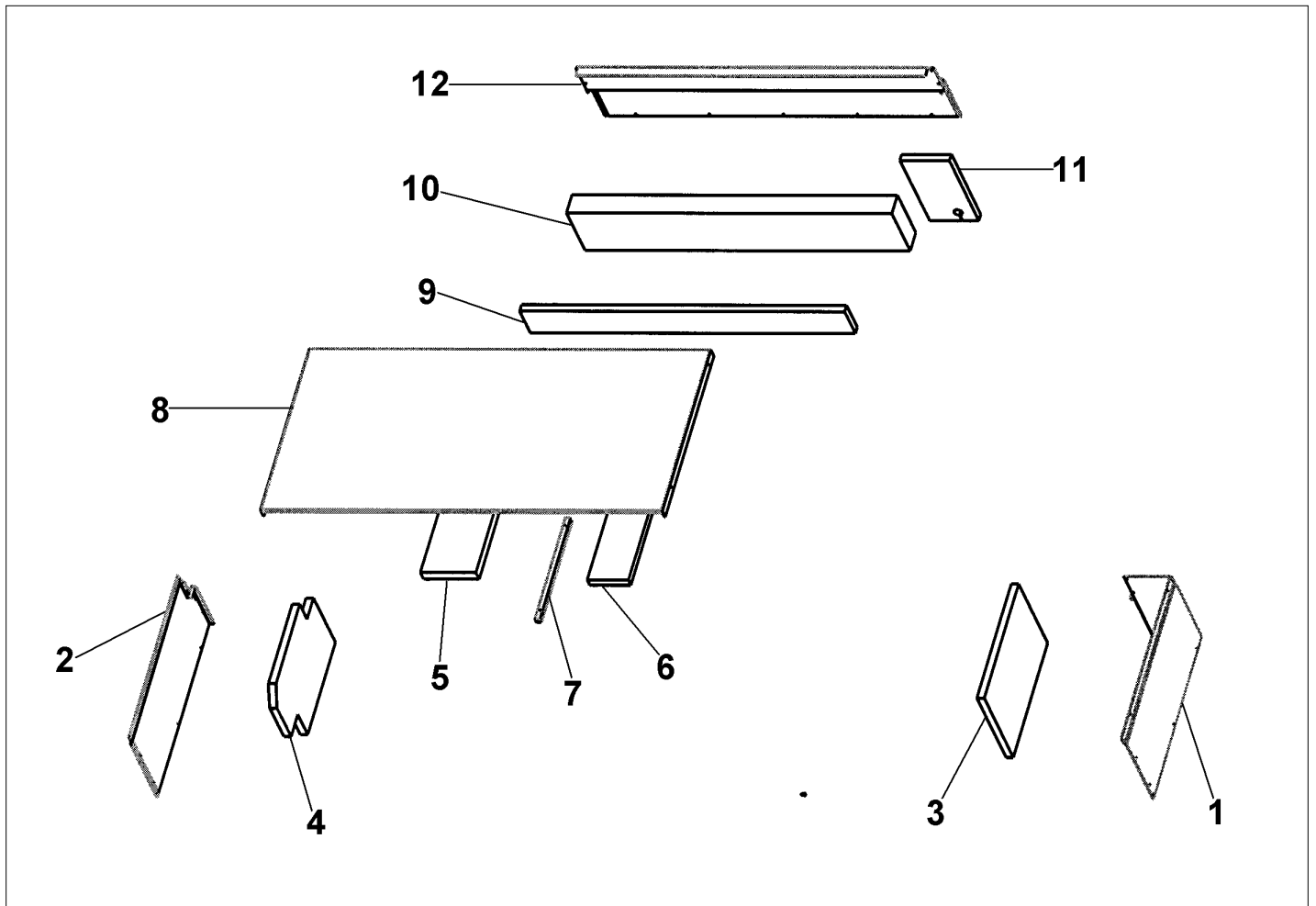
UPPER GRILLE ASSY.





Item	Part No.	Name	Qty	Uom	NOTES
1	PM910071	COVER - END CAP 12119801	1	EA	
2	PM910349	END CAP GRILLE L	1	EA	
3	C9099471BK	BRACKET GRILLE SUPPORT DES L	1	EA	Not available online / Call for pricing and availability
4	G3097768	AIR DUCT WELD ASM 42	1	EA	NO LONGER AVAILABLE
5	C9099470BK	BRACKET GRILLE SUPPORT DES R	1	EA	Not available online / Call for pricing and availability
6	PM910348	ENP CAP GRILLE R	1	EA	
7	PM910072	COVER - END CAP	1	EA	
8	G3298674	GRILLE ASM SXS 42 FOL	1	EA	

UPPER UNIT COVER ASSY





Item	Part No.	Name	Qty	Uom	NOTES
1	K2099459	MC SIDE (RIGHT)	1	EA	
2	K2099460	MC SIDE L	1	EA	
3	12074702	INSUL-R MC CVR V12074702	1	EA	
4	12074601	INSUL-L MC CVR V12074601	1	EA	
5	12074704	INSUL-MC CVR	1	EA	
6	12074701	INSUL-MC CVR V12074701	1	EA	
7	K2099455	SUPPORT MC Z	1	EA	
8	K2099458	MC TOP SXS 42	1	EA	
9	PB970169	INSUL MC BACK SXS 42 UPPER	1	EA	
10	PB970170	INSUL MC BACK SXS 42 LOWER	1	EA	
11	PB970171	MC INSULATION - BACK SIDE	1	EA	Not available online / Call for pricing and availability
12	K2099461	MC BACK 42	1	EA	
NI	PK910089	BRACKET, ANTI - TIP	1	EA	



Appendix A:Pages Index

CABINET SHELVING ASSEMBLY 1
EVAPORATOR AREA ASSY 2
FREEZER DOOR ASSY 3
HIGH SIDE ASSY 4
INTERIOR UPPER CABINET ASSY 5
LOWER UNIT ASSEMBLY 6
REF. DOOR ASSY. 7
UPPER GRILLE ASSY. 8
UPPER UNIT COVER ASSY 9



Appendix B:Parts Index

000953-000	3, 7	F2099443	4
002670-000	4	G3097768	8
004528-000	5	G3298648	6
004551-000	5, 6	G3298649	6
005319-000	4	G3298674	8
009927-000	1	G50911858	1
011666-000	4	G5096494	4
013112-000	5	G5097788	6
019244-000	1	G5097976	4
020117-000	5	G5098625	7
036888-000	3	G5098626	3
036890-000	7	G5098660	2
044219-000	1	K2096427	6
044232-000	1	K2096439	6
044384-000	1	K2096461	2
045689-000	1	K2096475	5
053308-000	2	K2096943	4
058966-000	2	K2098654	4
060890-000	6	K2099454	4
060891-000	6	K2099455	9
10270101	5	K2099456	6
10270203	5	K2099457	6
10281601	5	K2099458	9
10527401	2	K2099459	9
12071201	6	K2099460	9
12071301	6	K2099461	9
12074601	9	L20915003	6
12074701	9	L20915004	6
12074702	9	L2097181	2
12074704	9	L2097182	2
12075003	4	L2099452	5
12231701	2	L2099453	5
C2097183	1	M0102303	4
C2097595	4	M0210458	7
C2098044	6	M0215704	3, 7
C2098096	6	M0221523	4, 6
C8983701	2, 5	M0226233	3, 7
C9099470BK	8	Not Orderable	4
C9099471BK	8	Order #25	4, 4
F2096550	6	PA970012	6
		PB070291	3



PB070293	7	PK930115	5
PB920171	4	PK930120	1
PB920201	4	PK930121	1
PB970169	9	PK930123	7
PB970170	9	PK930150	2
PB970171	9	PK930170	1
PC910015	6	PK930171	1
PC920144	6	PK930173	1
PC920145	6	PK930174	1
PC920149	6	PK930175	1
PC920166	6	PK930176	1
PC920186	6	PK930189	1
PC920187	6	PK930230	4
PC920203	4	PK930348	6
PC920204	4, 7	PM010612	7
PC920205	7	PM010616	4
PC920206	3	PM910071	8
PC920208	3	PM910072	8
PD050019	3, 7	PM910097	3, 7
PD940091	6	PM910190	1
PE950125	5	PM910206	2
PE950146	6	PM910236	1
PE950147	6	PM910311	3
PE950149	4	PM910312	7
PE950175	4	PM910313	3
PE970330	4	PM910344	7
PE970331	4	PM910345	3
PE970464	4	PM910348	8
PE970465	4	PM910349	8
PJ910031	2	PM910411	1
PK910089	9		
PK920023	5		
PK920024	5		
PK930073	1		
PK930074	1		
PK930075	1		
PK930076	1		
PK930079	1		
PK930085	5		
PK930086	5		
PK930114	1		