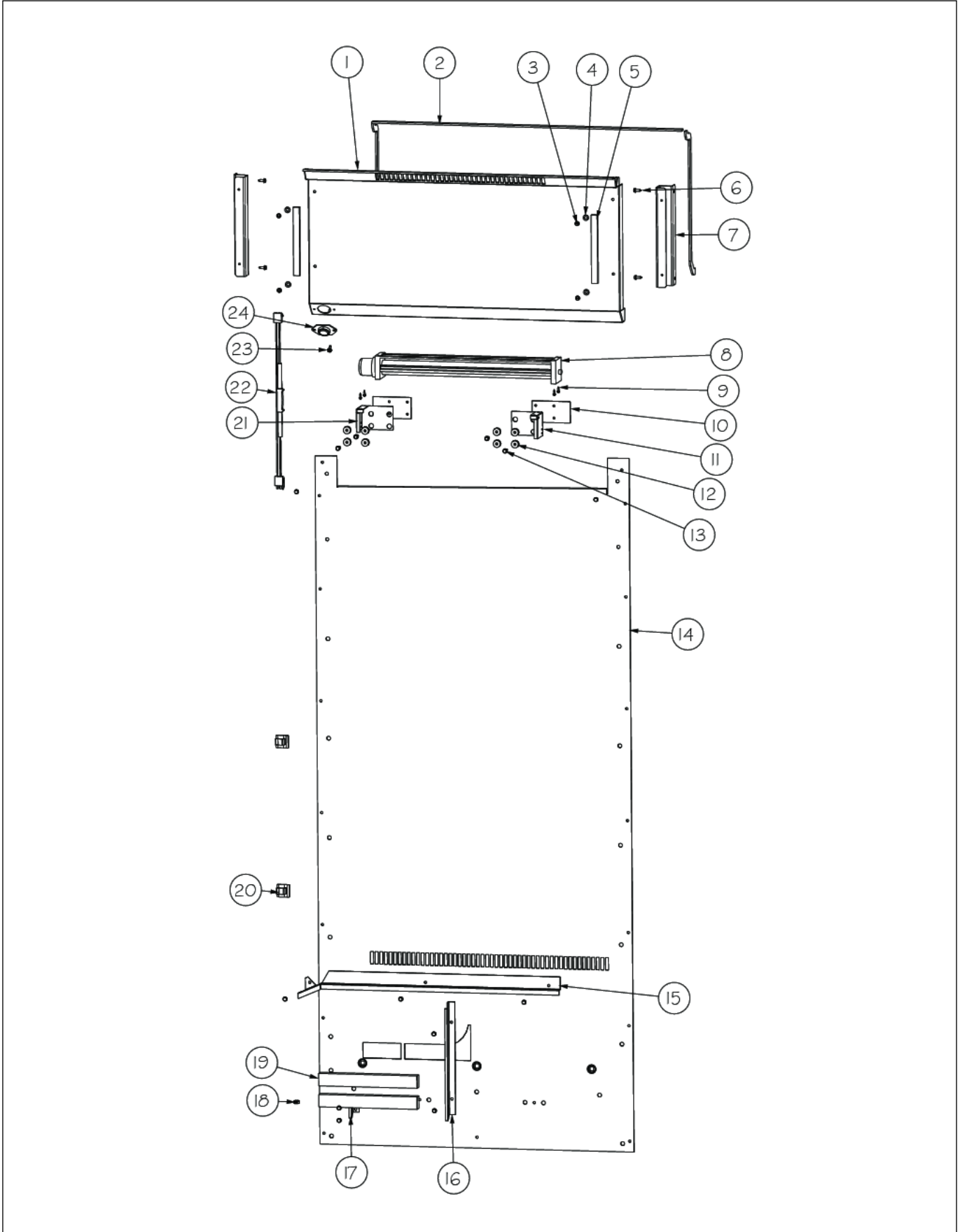


**DFRB530**

AIR HANDLING ASSEMBLY .....	1
CONTROL ASSEMBLY .....	2
DOOR ASSEMBLY .....	3
EXTERIOR ASSEMBLY .....	4
INTERIOR ASSEMBLY .....	5
LOW SIDE ASSEMBLY .....	6
LOWER UNIT ASSEMBLY .....	7
MC COVER AND UPPER GRILLE ASSEM .....	8
SEALED SYSTEM ASSEMBLY .....	9
Appendix A:Pages Index .....	A
Appendix B:Parts Index .....	B

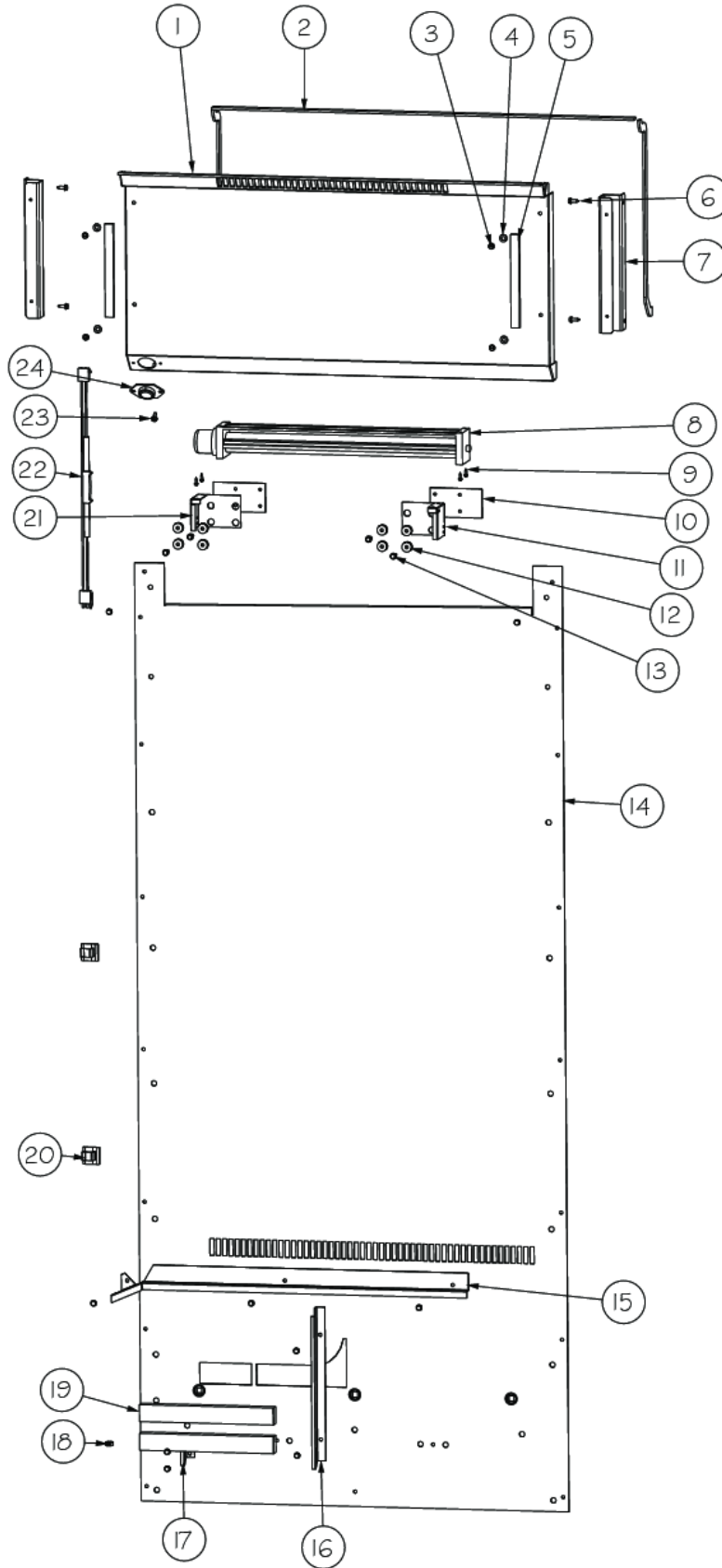


AIR HANDLING ASSEMBLY





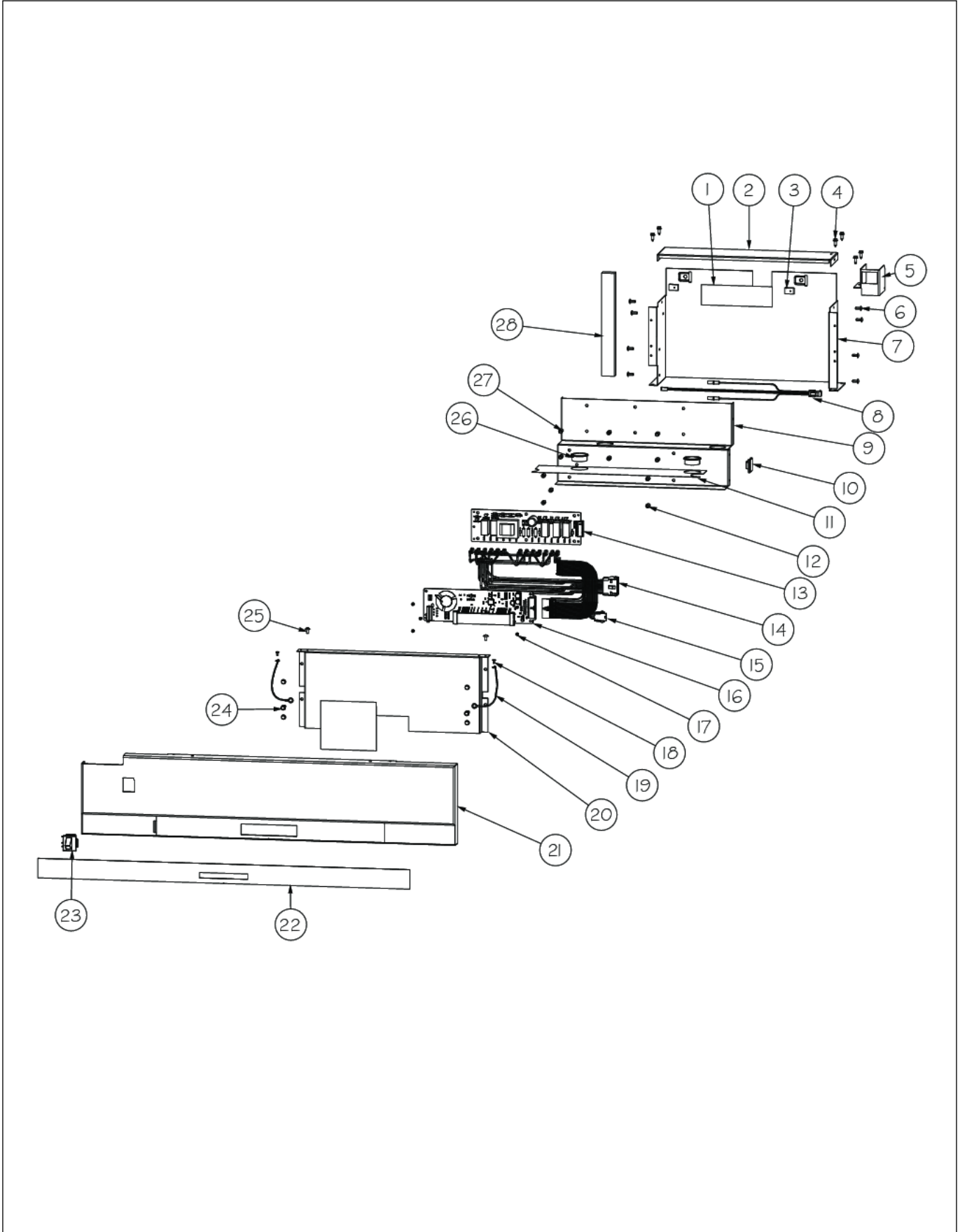
Item	Part No.	Name	Qty	Uom	NOTES
1	L20914101	COVER EVAP AR 30	1	EA	
2	G50911940	COVER EVAP & AIR HANDLING ASM AR 30	1	EA	Not available online / Call for pricing and availability
3	PD020238	SCR WH HEX WSHR HD SLTD #8-18 X 1/2	4	EA	
4	PD040150	WASHER FLAT NYLON #10	4	EA	
5	PB070288	1/4" X 1/2" CLOSED CELL SPONGE	2	EA	
6	PD020194	SCR, HEX SRTD WSHR HD, #8- 18 X 1/2	13	EA	
7	K20914102	K20914102	2	EA	
8	PE950154	FAN EVAP HORIZ AF AR 30 (See TR-0063-SP Fan Bulletin)	1	EA	See TR-0063- SP Fan Bulletin
Comments for Part Num. PE950154					
gboltz@VikingRange.com on Apr 18, 2019 See TR-0063-SP Fan Bulletin					
9	PD020013	TYPE "AB" #6 X 3/8 PH PAN HD. SMS	3	EA	
10	B10914128	SPACER FAN AR 36/30	2	EA	
11	K20914130	BRKT, FAN MTG RT AR 30	1	EA	Not available online / Call for pricing and availability
12	12234001	GROMMET-VIBRATION	8	EA	
13	M0238859	SCREW-SHLDR	4	EA	
14	L20910734	COVER LARGE SUMP AR 30	1	EA	
15	L20913709	DIVIDER AIR AR 30	1	EA	
16	K20912393	PLATE BAFFLE VERTICAL AR 30	1	EA	Not available online / Call for pricing and availability
17	K20912394	PLATE BAFFLE VERTICAL SMALL AR 30	1	EA	
18	12115101	CLAMP-TUBE V12115101	1	EA	
19	A3030361	GASKET RED	1	EA	
20	M0104106	CLIP-CORD VM0104106	2	EA	
21	K20914131	BRKT, FAN MTG LT AR 30	1	EA	





Item	Part No.	Name	Qty	Uom	NOTES
22	PE970641	JUMPER FAN RESISTOR	1	EA	
23	PD020010	10 X 3/8 GREEN GROUNDING SCREW	1	EA	
24	C8983701	THERMISTOR	1	EA	

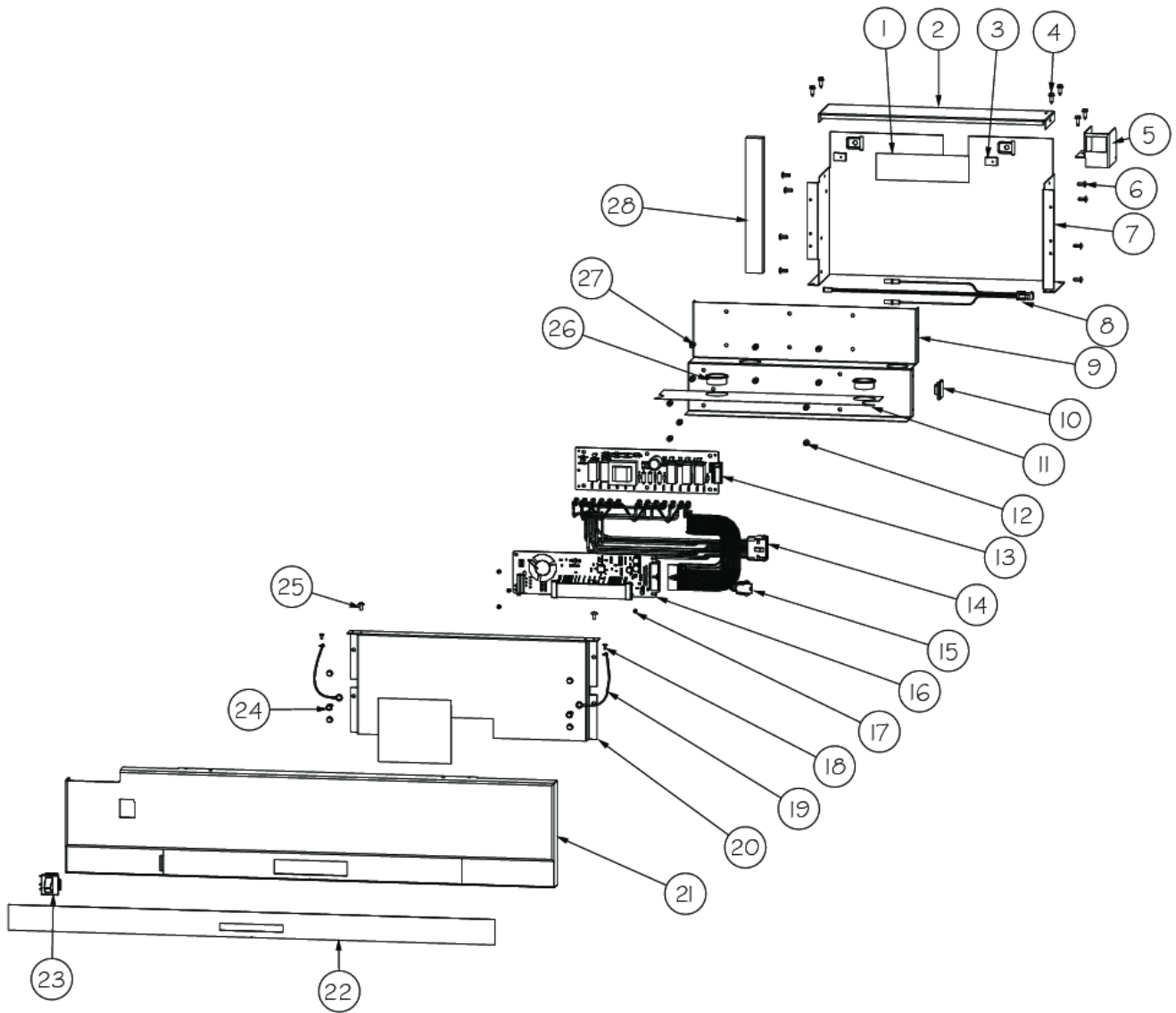
CONTROL ASSEMBLY







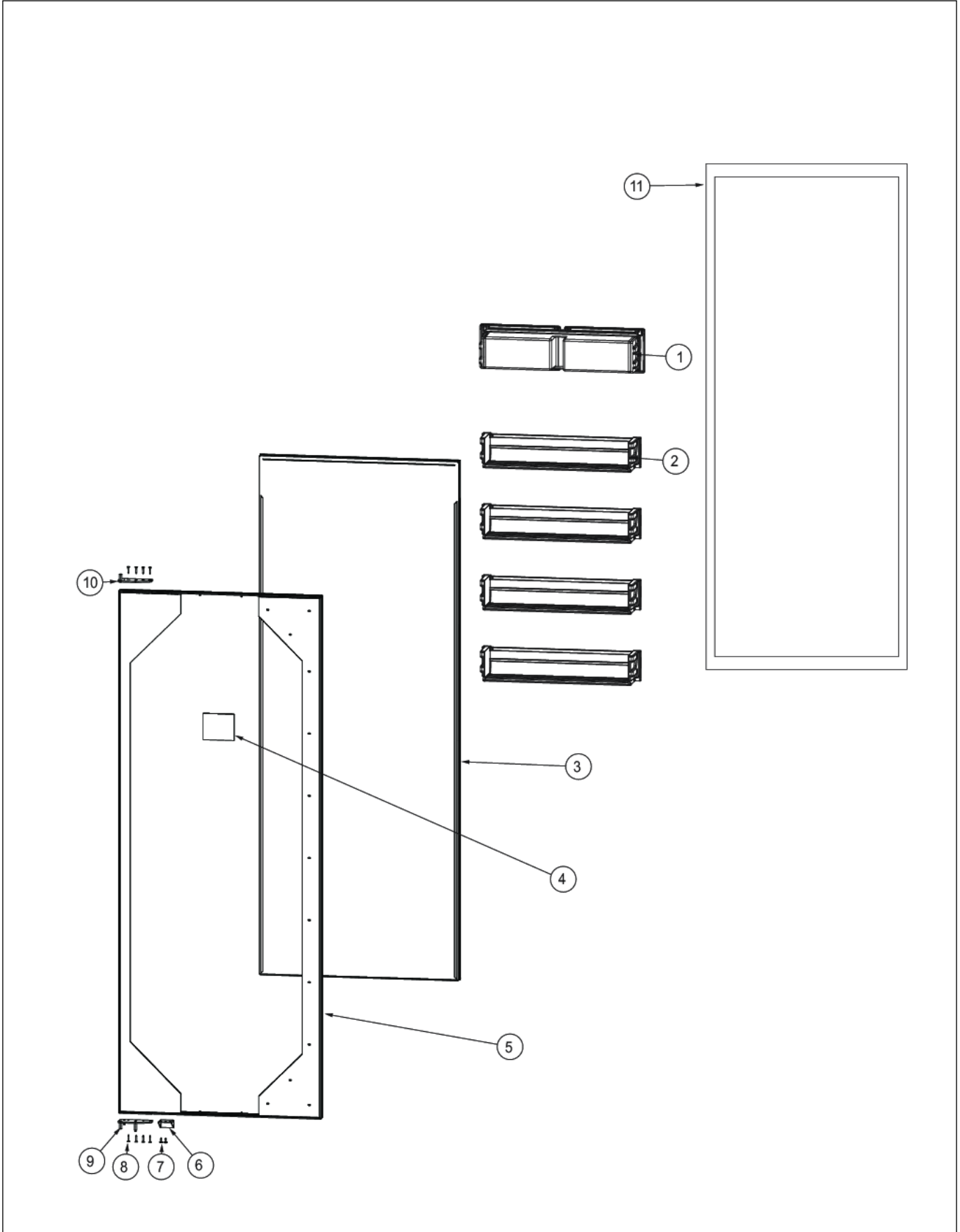
Item	Part No.	Name	Qty	Uom	NOTES
1	PF930672	LABEL DC COMPRESSOR	2	EA	
2	K20915000	CONTROL BOX TOP	1	EA	
3	M0288120	NUT-SPEED VM0288120	2	EA	
4	PD020194	SCR, HEX SRTD WSHR HD, #8-18 X 1/2	10	EA	
5	K2098654	Bracket, Power Switch	1	EA	
6	PC040010	POP RIVET (.063/GR -.125) GAMD42-A	8	EA	
7	K2099402	CONTROL BOX	1	EA	
8	PE970609	HARNESS CONTROL BOARD 5 SERIES	1	EA	
9	K20910060	BRACKET - PC	1	EA	
10	M0104106	CLIP-CORD VM0104106	1	EA	
11	PM910325	FILM, PROTECTIVE	1	EA	
12	M0585506	SUPPORT	5	EA	
13	005319-000	POWER CONTROL BOARD ASM 5 SERIES	1	EA	
<p>Comments for Part Num. 005319-000</p> <p>boltz on Apr 12, 2018 See TR-0056-SP Bulletin</p>					
14	PE070785	Harness, High Voltage Board	1	EA	
15	PE970464	HARNESS LOW VOLT 5 SERIES	1	EA	
16	PE070728	BOARD LOW VOLTAGE	1	EA	
<p>Comments for Part Num. PE070728</p> <p>bradleysapplianceservice@shaw.ca on Apr 27, 2016 COULD ALSO USE: 002670-000 LOW VOLTAGE BOARD KIT ANALOG - INCLUDES WIRE HARNESS</p>					
17	PD020013	TYPE "AB" #6 X 3/8 PH PAN HD. SMS	4	EA	
18	PC040010	POP RIVET (.063/GR -.125) GAMD42-A	2	EA	
19	12064001	SUPP-CONT PANEL	2	EA	
20	K20910061	CONTROL BOX FRONT	1	EA	
21	PK030457	PANEL CONTROL AR 30 L	1	EA	
22	010509-000	OVERLAY SWITCH AR 30	1	EA	





Item	Part No.	Name	Qty	Uom	NOTES
23	PE950122	SWITCH	1	EA	
24	M0238846	SCREW-SHLDR	2	EA	
25	M0224128	SCREW-SM	2	EA	
26	A4554817	BUSHING-SNAP VA4554817	2	EA	
27	M0585504	SUPPORT	6	EA	
28	A3030361	GASKET RED	1	EA	

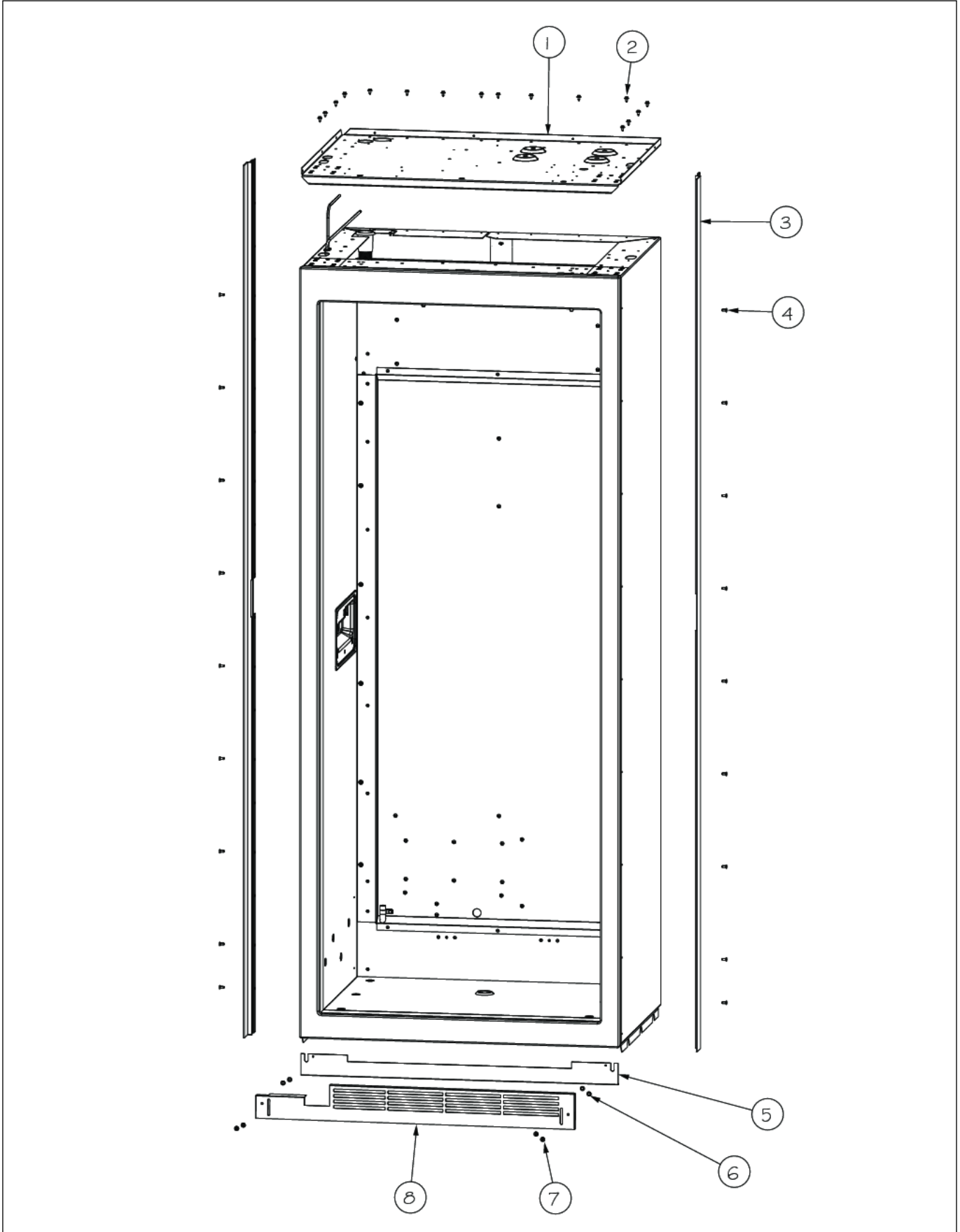
DOOR ASSEMBLY





Item	Part No.	Name	Qty	Uom	NOTES
1	V12203602	DAIRY MODULE ASSY #	1	EA	
2	036886-000	DOORBIN ASM SXS 48 FF	4	EA	
3	007459-000	DOOR ASM AR 30	1	EA	
4	PF931036	LABEL FOL DOOR BOW	1	EA	
5	000950-000	BRACKET,PNL,FULL OVERLAY	1	EA	
6	PD050019	STRIKER DOOR SWITCH	1	EA	
7	M0210458	SCR 8-18 X 5/8 WAFER PH SMS	2	EA	
8	PD920174	10X7/8 PHILLIPS SMA TRI LOBE SA	8	EA	
9	016180-000	PIVOT PL ASM LH LW FOL	1	EA	
9	033785-000	PIVOT PLATE ASM RH UP FOL SXS, AFAR	1	EA	
10	PC020275	PIVOT PL ASM LH UP FOL	1	EA	
10	016179-000	PIVOT PL ASM RH LW FOL	1	EA	
NI	005448-000	GASKET,ASM,30,AFAR VID# 602711327-17	1	EA	

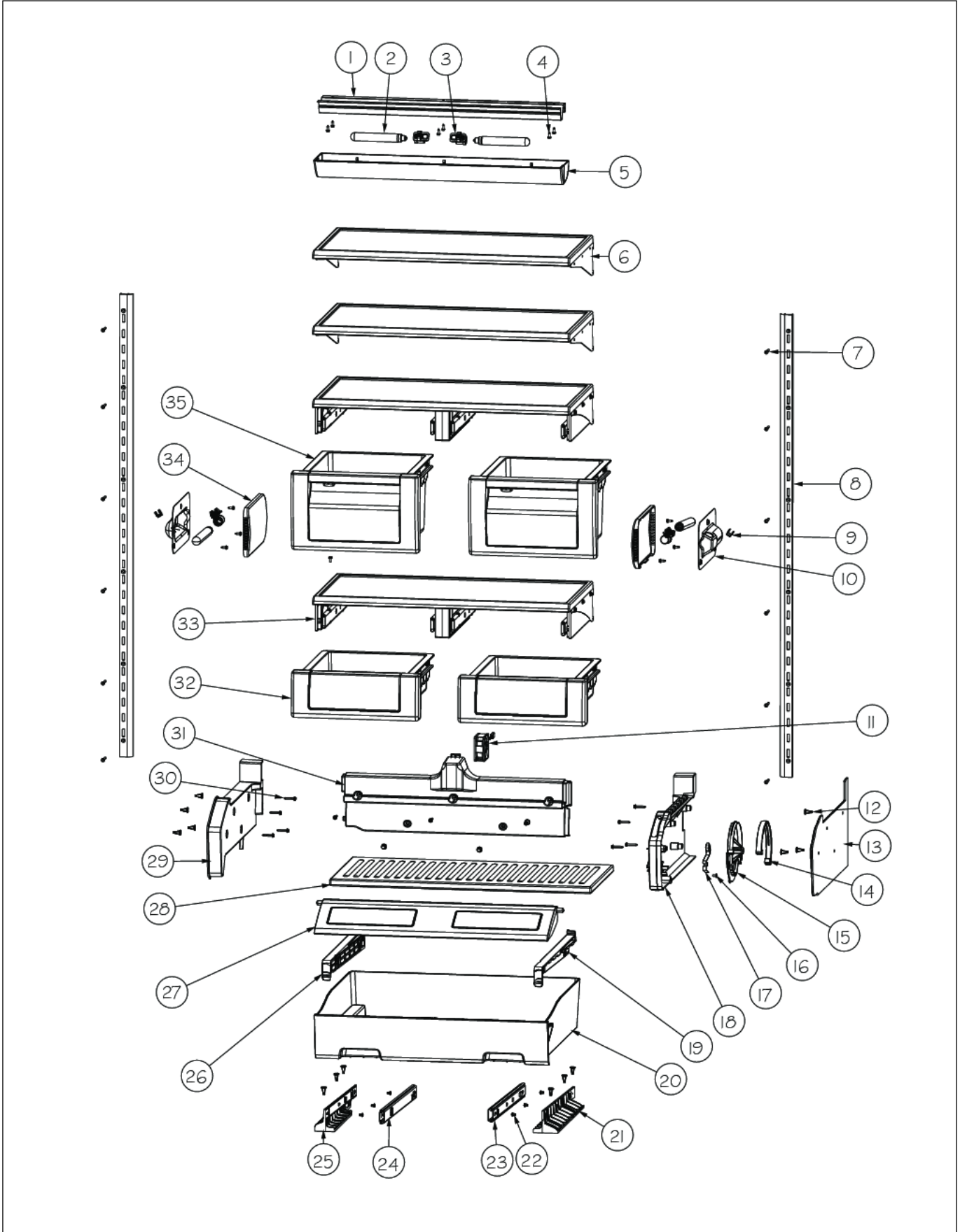
EXTERIOR ASSEMBLY





Item	Part No.	Name	Qty	Uom	NOTES
1	K2099037	OC TOP AF AR 30	1	EA	Not available online / Call for pricing and availability
2	PD020193	SCR 8-18 X 3/8	16	EA	
3	PK920066	TRIM, EXTRU, SIDE DES	2	EA	
4	M0215318	SCREW-SM	18	EA	
5	000206-002	KICKPLATE, LWR	1	EA	
6	40370P01	NYLON FLAT WASHER V40370P01	4	EA	
7	M0210443	SCREW-E SM VM0210443	4	EA	
8	C20910752	GRILLE TOE VENTED 30 LH	1	EA	

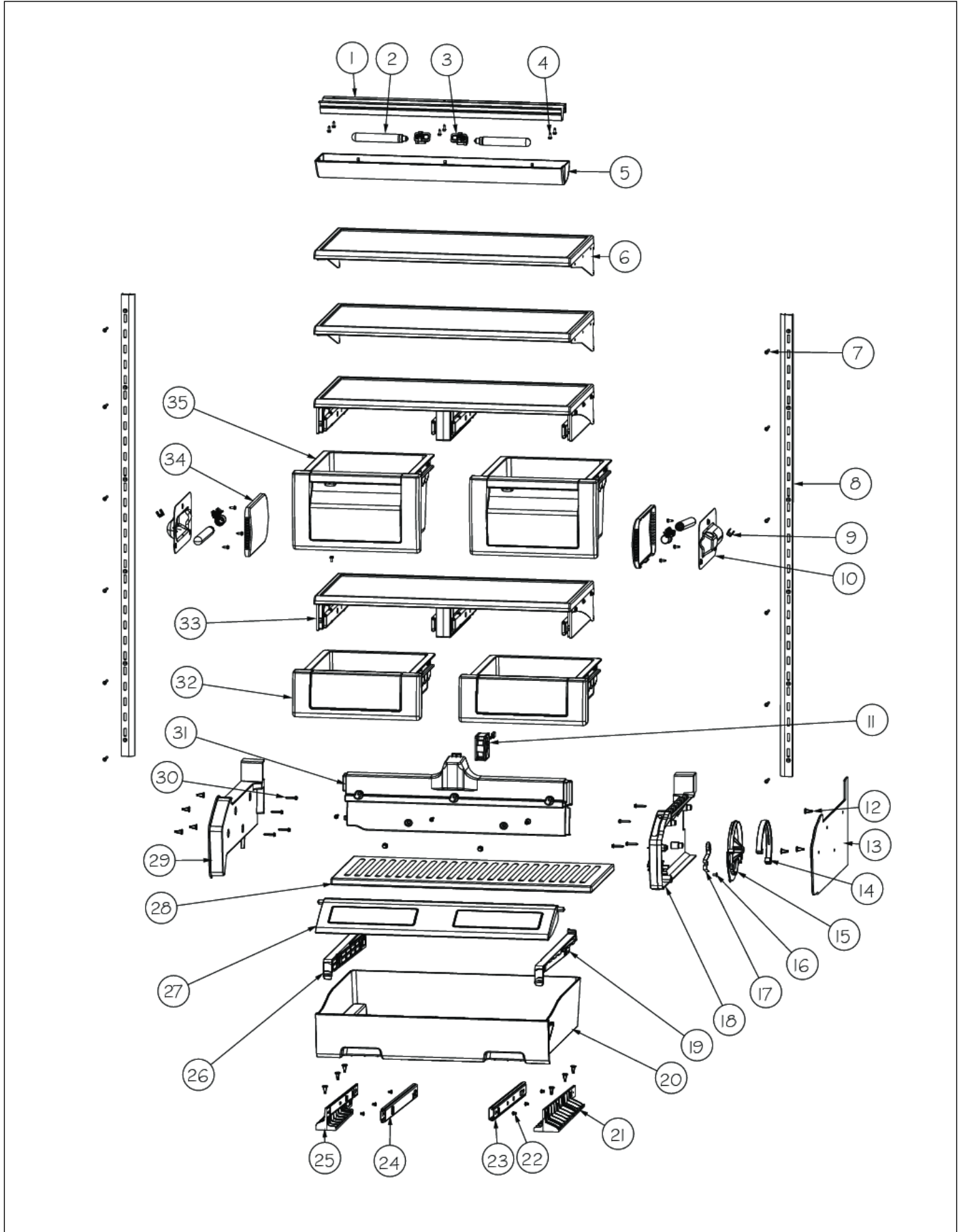
INTERIOR ASSEMBLY







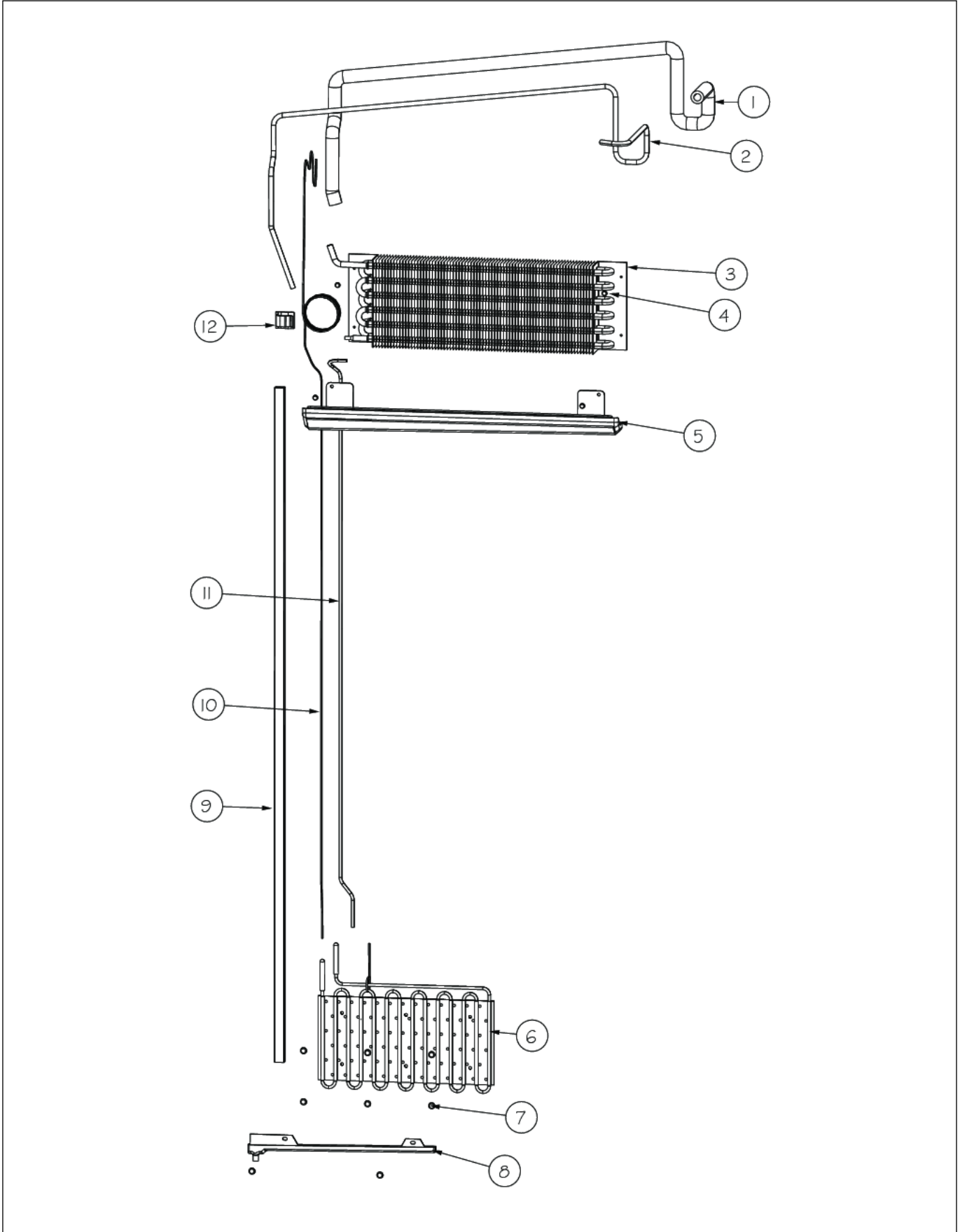
Item	Part No.	Name	Qty	Uom	NOTES
1	L2099492	BRACKET LIGHT SXS 48 FF	1	EA	
2	004528-000	LAMP, 40 WATT CLEAR LIGHT	4	EA	
3	PE950125	LIGHT SOCKET	4	EA	
4	PD020195	SCR 8-18 X 5/8	14	EA	
5	020114-000	COVER LIGHT ASM AF/AR 30 SXS 48 FF	1	EA	
6	043624-000	SHELF ASM GLASS 30 AR 48 FF	2	EA	
7	M0238535	SCREW-SM	12	EA	
8	PM910280	LADDER SIDE AF 30 36	2	EA	
9	B5733302	CLIP-GROUND	2	EA	
10	10270203	HOUSING-LIGHT V10270203	2	EA	
11	004551-000	AXIAL FAN	1	EA	
Comments for Part Num. 004551-000					
gboltz@VikingRange.com on Jul 21, 2016					
View service bulletin TR-0052-SP before ordering fan, if applicable order kit instead of fan					
12	M0581001	GROMMET-SCREW VM0581001	16	EA	
13	PK930283	DUCT MEATSAVOR SPACER	1	EA	
14	PK930172	COVER CONTROL MEAT SAVOR	1	EA	
15	044384-000	DIAL CONTROL MEAT SAVOR	1	EA	
16	M0224128	SCREW-SM	1	EA	
17	PM910334	ROLLER TENSION	1	EA	
18	044232-000	DUCT MEAT SAVOR (R)	1	EA	
19	PK930175	SUPPORT DRAWER MEAT SAVOR SXS 42/48 R	1	EA	
20	PK930309	DRAWER MEAT SAVOR AR 30 SXS 48	1	EA	
21	PK930173	SUPPORT SLIDE MEAT SAVOR SXS 42/48 R	1	EA	
22	PD920162	SCR 8-16 PLASTITE PNP 1/4 S	6	EA	
23	PM910287	SLIDE MEAT SAVOR R	1	EA	
24	PM910288	SLIDE MEAT SAVOR L	1	EA	





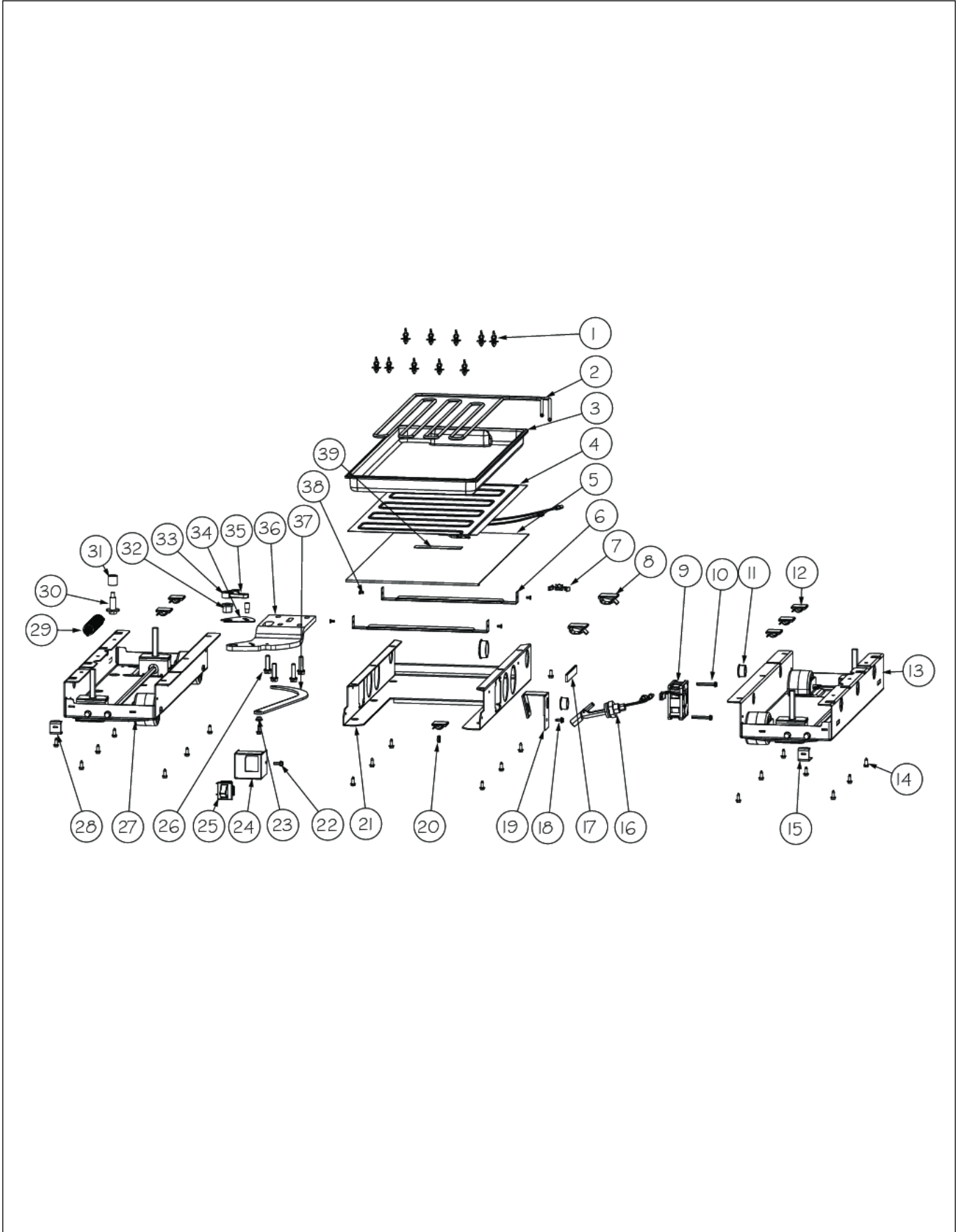
Item	Part No.	Name	Qty	Uom	NOTES
Comments for Part Num. PM910288					
profixappliances@gmail.com on May 3, 2017					
ITEM # 5 SHOULD BE PK930288-DOOR MEATSAVOR ASM AR/BM 36					
25	PK930174	SUPPORT SLIDE MEAT SAVOR SXS 42/48 L	1	EA	
26	PK930176	SUPPORT DRAWER MEAT SAVOR 42/48 L	1	EA	
27	045692-000	DOOR MEATSAVOR ASM AR 30 SXS 48	1	EA	
28	PK930308	SHELF MEAT SAVOR AR 30 SXS 48	1	EA	
29	PK930284	DUCT MEATSAVOR LEFT	1	EA	
30	M0211021	SCREW-SM	11	EA	
31	PK930307	DUCT MEAT SAVOR AR 30 SXS 48	1	EA	
32	G32911938	DRAWER DELI ASM SXS 48 AR 30	2	EA	
33	G50911937	SHELF ASM	2	EA	
34	PK930346	COVER LIGHT	2	EA	
35	012259-000	DRAWER PRODUCE ASM AR 30/48	2	EA	

LOW SIDE ASSEMBLY



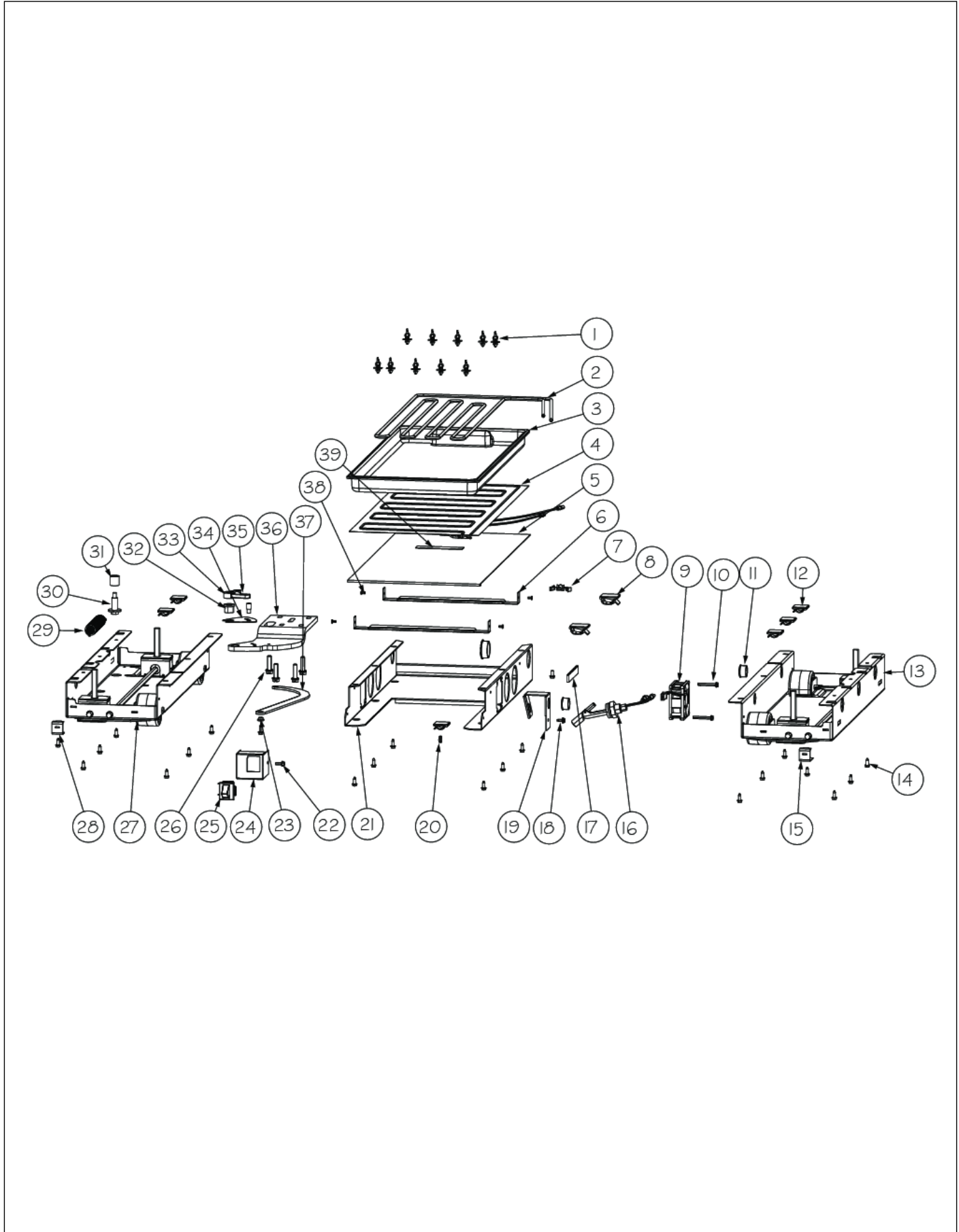
Item	Part No.	Name	Qty	Uom	NOTES
1	PB970188	INSULATION TUBING 45.000 5 SERIES	1	EA	
2	F20911126	TUBE SUCTION AR 30	1	EA	
3	PM910457	EVAPORATOR AR 30	1	EA	
4	PD020194	SCR, HEX SRTD WSHR HD, #8-18 X 1/2	4	EA	
5	G50914188	DRAIN PAN ASM UPPER AR30	1	EA	
6	049987-000	MS HEAT EXCH ASM AR 36 30	1	EA	
<p>Comments for Part Num. 049987-000</p> <p>bradleysapplianceservice@shaw.ca on Sep 22, 2017                      SUBS TO: 049987-000 HEAT EXCHANGER AR 30" / 36"                      crystal@knservice.com on Sep 22, 2017                      This new aluminum h/e melts where it meets the copper tip when welding during a repair. Any recommendations to prevent this?                      Reply by corcoran1@cox.net on Dec 21, 2017                      Try heat sink and wrap it in wet towel, use oxy-acetylene torch as opposed to map gas                      Reply by bradleysapplianceservice@shaw.ca on Jun 5, 2018                      Yes, we have used heat paste but wet rags torn into thin strips works just as good and readily available.                      Reply by tim@tnrappliance.com on Dec 20, 2018                      this new aluminum is crap can barely heat it and the copper tip comes off. i now get to redo the job when i get another heat exchanger. has anyone used an epoxy to set the tubes.                      bradleysapplianceservice@shaw.ca on Jun 5, 2018                      Use caution when brazing, must use heat sink to avoid melting the aluminum. Use heat paste or wet rags. Also be sure check ports before installing. We have had a plugged port from factory when they installed the copper ends they closed off the port internally. Can't be seen easily so use nitrogen to blow through ports to be sure they are not plugged. It would have been nice to see at least 3 more inches of copper on the ends. It's easier to cut the above tubing to size than deal with these stubby copper ports.</p>					
7	PD020032	SRW-8(A)X3/8"PH.WFR HD 7/16DIA*NICL	8	EA	
8	PK030445	PAN DRAIN LOWER EVAP AR 30 36	1	EA	
9	PK030446	DRAIN VERTICAL AR 30 36	1	EA	
10	PB920246	TUBE CAPILLARY ASM AR 36 30	1	EA	
11	F20913719	TUBE EVAP AR 30	1	EA	
12	M0104102	CLIP-CORD RED	1	EA	

# LOWER UNIT ASSEMBLY





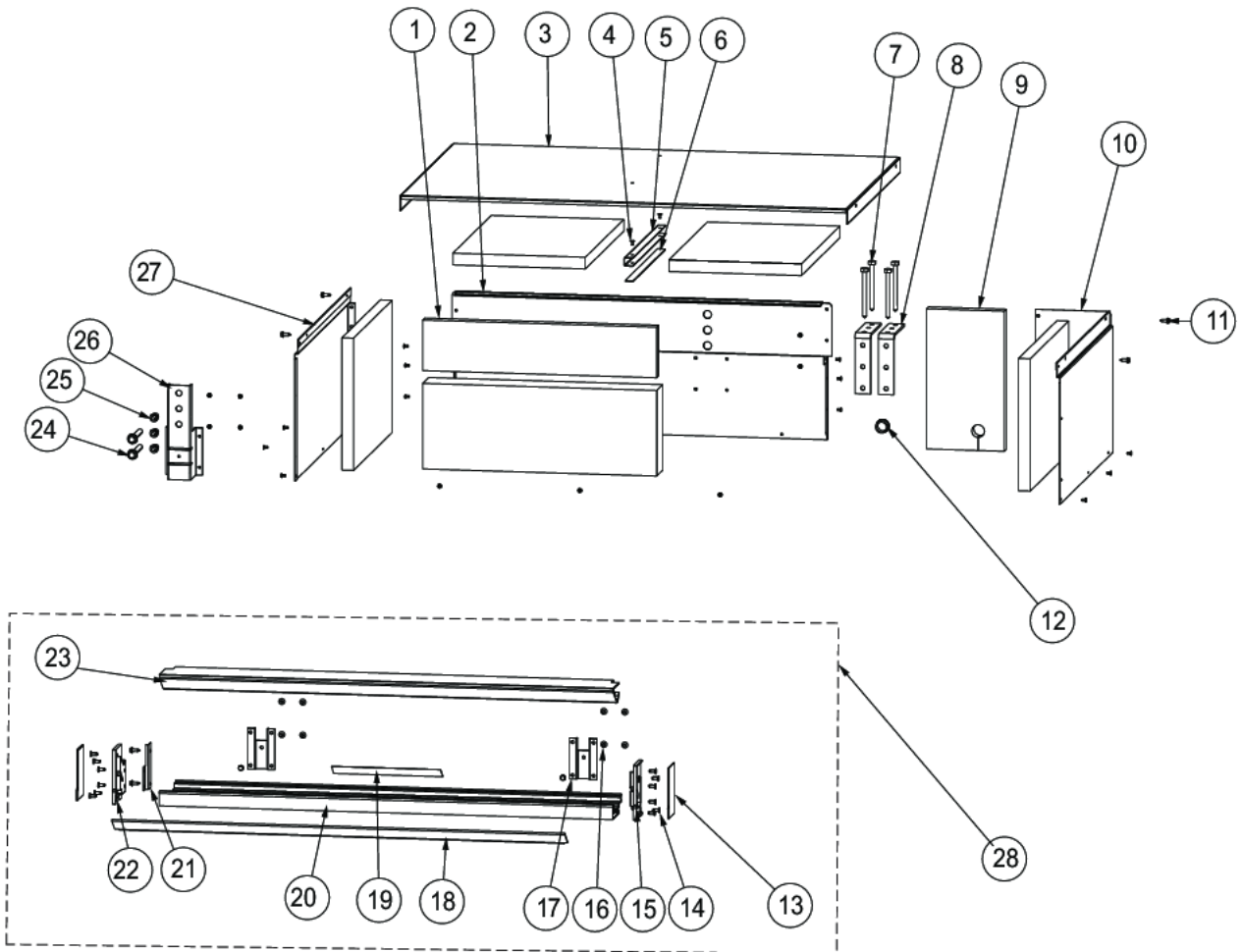
Item	Part No.	Name	Qty	Uom	NOTES
1	PD030146	STAND OFF LOCK CLIP	1	EA	
2	F2099927	SERPENTINE AF AR 30	1	EA	
3	PK930347	PAN-DRAIN AF AR 30	1	EA	
4	PE070823	PAN HEATER AFAR 30	1	EA	
5	L20915602WH	TRAY PAN HEATER AF/AR 30	1	EA	
6	K20911832	BRACKET CONDENSATE SUPPORT	1	EA	
7	M0327801	TAP-ELECTRO	1	EA	
8	M0104102	CLIP-CORD RED	2	EA	
9	004551-000	AXIAL FAN	1	EA	
<p>Comments for Part Num. 004551-000</p> <p>gboltz@VikingRange.com on Jul 21, 2016</p> <p>View service bulletin TR-0052-SP before ordering fan, if applicable order kit instead of fan</p>					
10	PD020274	SCR SLTD HEX WSHR HD 8X1.250 BT	2	EA	
11	A4554806	BUSHING-SNAP VA4554806	2	EA	
12	M0104106	CLIP-CORD VM0104106	4	EA	
13	060890-000	LEVELER MODULE R	1	EA	
14	PD020194	SCR, HEX SRTD WSHR HD, #8- 18 X 1/2	13	EA	
15	K2098044	BRKT GRILLE SUPPORT	1	EA	
16	PE050248	FLOAT SWITCH HORIZONTAL	1	EA	
17	PF930654	LABEL CONDENSATE FAN SERVICE	1	EA	
18	M0253916	SCR 8-32 SHXW 3/8 TRI-LOBE	1	EA	
19	B20915627	BRACKET HORIZ FLOAT SWITCH	1	EA	
20	G50915603	PAN HEATER ASM AF/AR 30	1	EA	
21	K20915953	SHIELD BOTTOM DRAIN	1	EA	
22	M0220417	SCREW-TC	2	EA	
23	PD940094	BUSHING	1	EA	
24	002668-000	SWITCH,GRILLE,MT,LH	1	EA	
25	PE950147	SWITCH SPST NC BLACK	1	EA	





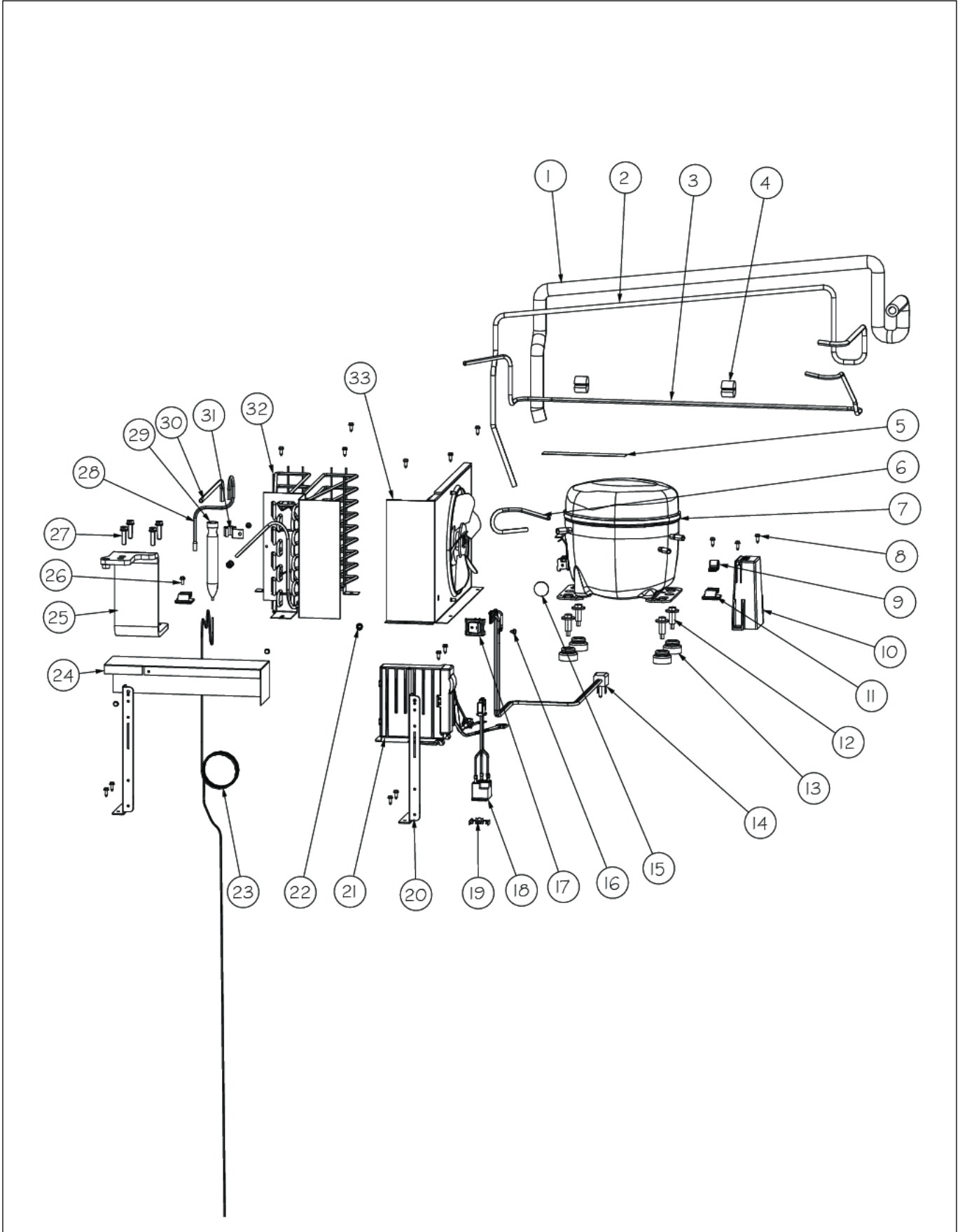
Item	Part No.	Name	Qty	Uom	NOTES
Comments for Part Num. PE950147					
bradleysapplianceservice@shaw.ca on May 1, 2017					
CAUTION WHEN ORDERING DOOR SWITCH. PARTS LISTINGS COULD BE INCORRECT.					
THERE IS TWO VERSIONS OF THIS DOOR SWITCH THAT NEEDS TO BE VISUALLY CHECKED ON UNIT TO DETERMINE CORRECT PART.					
PE950146 DOOR SWITCH 3 WIRE SPDT BLACK					
PE950147 DOOR SWITCH 2 WIRE SPST BLACK					
26	000570-000	FASTENER, BOLT, 1/4-20 IHXWS 1" S ZN SER	2	EA	
27	060891-000	LEVELER MODULE L	1	EA	
28	K2098096	BRKT GRILLE SUPPORT	1	EA	
29	PC910015	SPRING EXTENSION	1	EA	
30	M0221523	SCREW - SHLDR	1	EA	
31	PD940107	ROUND SPRING SPACER	1	EA	
32	PD940090	BUSHING - WC DOOR LEVEL	1	EA	
33	PD940091	BUSHING - DOOR STOP	1	EA	
34	PC920144	PLATE - WC DOOR SHIM	1	EA	
35	PC920145	PIN - DOOR STOP	1	EA	
36	PC020289	HINGE PLATE LL	1	EA	
NI	PC020288	HINGE PLATE LR	1	EA	
37	PC920149	BAR-WC BOT HINGE LH	1	EA	
38	PC040010	POP RIVET (.063/GR -.125) GAMD42-A	1	EA	
39	PF031268	LABEL HEATER PAN AF/AR 30	1	EA	

MC COVER AND UPPER GRILLE ASSEM



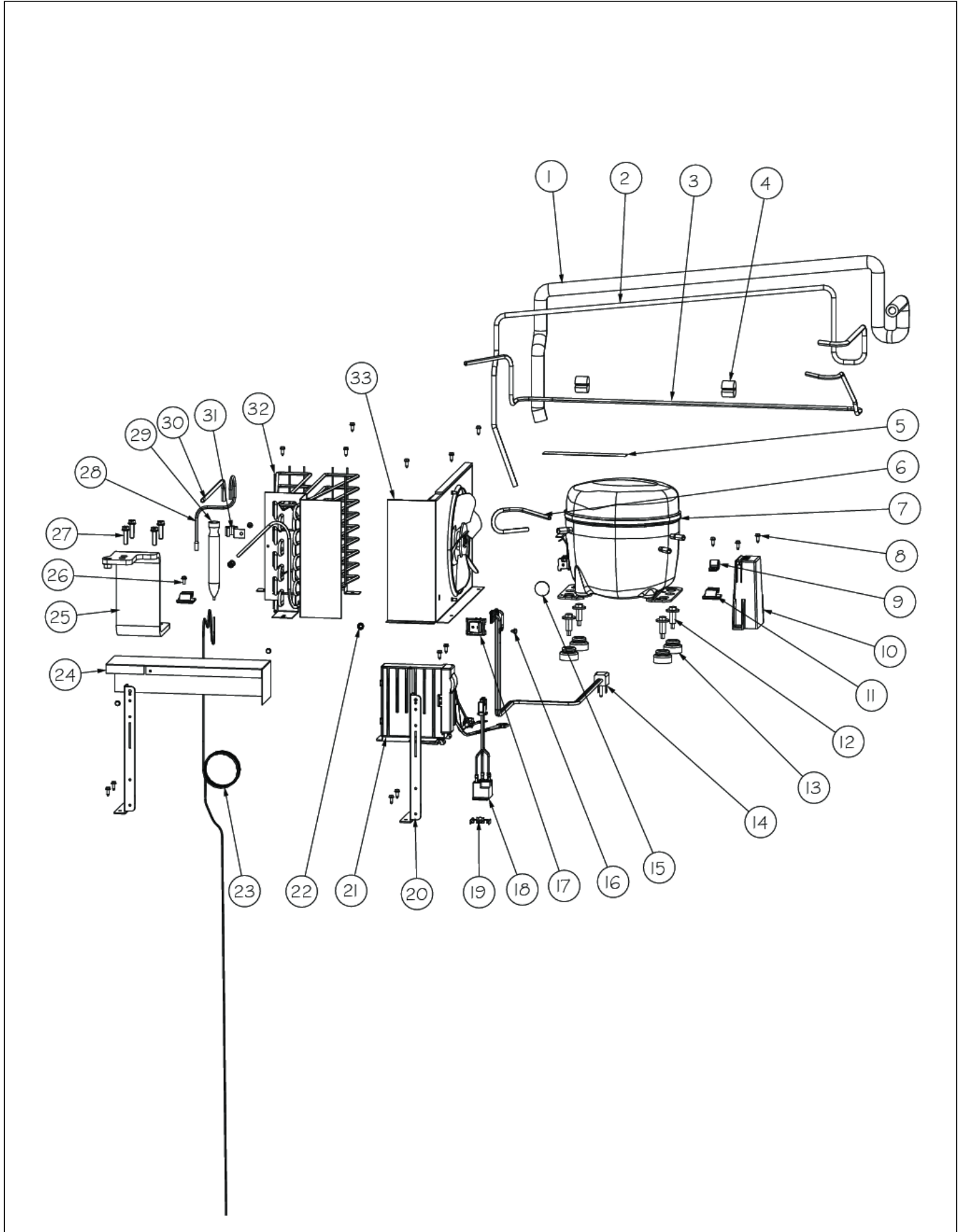
Item	Part No.	Name	Qty	Uom	NOTES
1	PB070355	INSULATION MC COVER	6	EA	
2	K2099932	MC BACK 30	1	EA	
3	K2099930	MC TOP 30	1	EA	
4	PC040010	POP RIVET (.063/GR -.125) GAMD42-A	23	EA	
5	K2099455	SUPPORT MC Z	1	EA	
6	G5099928	MC COVER COMPLETE ASM 30	1	EA	
7	M0223509	SCREW-LAG	4	EA	
8	PK910089	BRACKET, ANTI - TIP	2	EA	
9	PB970171	MC INSULATION - BACK SIDE	1	EA	Not available online / Call for pricing and availability
10	K2099459	MC SIDE (RIGHT)	1	EA	
11	PD020194	SCR, HEX SRTD WSHR HD, #8- 18 X 1/2	24	EA	
12	A4554806	BUSHING-SNAP VA4554806	1	EA	
13	PK050004	BRACKET GRILLE 5 SERIES	2	EA	
14	M0253916	SCR 8-32 SHXW 3/8 TRI-LOBE	8	EA	
15	003280-000	PLATE,BACK,GRILLE	2	EA	
16	003260-000	ENDCAP,PRO,RH	1	EA	
17	003279-000	EXTRUSION,LOUVER,BOTTOM	1	EA	
18	003278-000	EXTRUSION,LOUVER,MIDDLE	1	EA	
19	003277-000	EXTRUSION,LOUVER,TOP	1	EA	
20	003274-000	ENDCAP,PRO,LH,HINGE - NLA	1	EA	
24	PD020233	SCR LAG 5/16-9 GX 5/16X7/16 WAF IHXW 3 S ZN	2	EA	
25	PD040157	BEARING SLEEVE	3	EA	
26	K20915675	BRACKET PSM	1	EA	
27	K2099460	MC SIDE L	1	EA	
28	019590-000	GRILLE ASM, 30 AF/AR FOL LH	1	EA	
28	019606-000	GRILLE ASM, 30 AF/AR, FOL RH	1	EA	

SEALED SYSTEM ASSEMBLY





Item	Part No.	Name	Qty	Uom	NOTES
1	PB970187	INSULATION TUBING 57.500 WC, 5 SERIES	1	EA	
2	F20911126	TUBE SUCTION AR 30	1	EA	
3	F20910729	TUBE DISCHARGE AF AR 30	1	EA	
4	10699601	DAMPER-TUBING .8	2	EA	
5	C8982701	LABEL-COMP WARN	1	EA	
6	F2096507	TUBE-PROCESS GRN	1	EA	
7	062776-000	Compressor kit	1	EA	
<p>Comments for Part Num. 062776-000</p> <p>bradleysapplianceservice@shaw.ca on Jul 23, 2018</p> <p>SUBS TO: 068640-000 COMPRESSOR KIT (COMES WITH INVERTER)</p> <p>SEE BULLETIN: TR-0101A-SP</p>					
8	PD020194	SCR, HEX SRTD WSHR HD, #8-18 X 1/2	18	EA	
9	PD030118	INSULATED CLAMP	1	EA	
10	050894-000	ASSY, BKT, PWR SUPPLY, 24VDC, REF	1	EA	
11	M0104102	CLIP-CORD RED	2	EA	
12	M0221523	SCREW - SHLDR	4	EA	
13	10835901	GROMMET RUBBER V10835901	4	EA	
14	10916507C	CORD-POWER V10916507	1	EA	Not available online / Call for pricing and availability
15	PF930682	LABEL WARNING INVERTER	1	EA	
16	M0211014	SCREW-SM	1	EA	Not available online / Call for pricing and availability
17	PE950149	SWITCH POWER	1	EA	
18	G50915958	ASM AR SABBATH MODE RELAY	1	EA	
19	M0327801	TAP-ELECTRO	1	EA	
20	K20912569	BRACKET GRILLE SUPPORT	2	EA	
21	011666-000	INVERTER,CMPR,ASM	1	EA	



Item	Part No.	Name	Qty	Uom	NOTES
Comments for Part Num. 011666-000					
gboltz@VikingRange.com on Aug 9, 2018					
See 2018-01P Parts Bulletin					
22	007407-000	RING,LOK, .187 DIA	2	EA	
23	PB920246	TUBE CAPILLARY ASM AR 36 30	1	EA	
24	K20912570	DIVERTER AIR HI SIDE 30	1	EA	Not available online / Call for pricing and availability
25	PC920204	HINGE ASM UL	1	EA	
NI	PC920203	HINGE ASM UR	1	EA	
26	PD020010	10 X 3/8 GREEN GROUNDING SCREW	1	EA	
27	000570-000	FASTENER, BOLT, 1/4-20 IHXWS 1" S ZN SER	1	EA	
28	003325-000	TUBE DRIER COND	1	EA	
29	PM010616	DRIER - HIGH SIDE	1	EA	
30	F2097740	TUBE PROCESS	1	EA	
31	10547001	CLIP-DRIER V10547001	1	EA	
32	PB920171	CONDENSER ASM	1	EA	
33	G5096494	COND. FAN ASSY	1	EA	
NI	PK930424	VALVE POP UP ASM	1	EA	



Appendix A:Pages Index

AIR HANDLING ASSEMBLY ..... 1  
CONTROL ASSEMBLY ..... 2  
DOOR ASSEMBLY ..... 3  
EXTERIOR ASSEMBLY ..... 4  
INTERIOR ASSEMBLY ..... 5  
LOW SIDE ASSEMBLY ..... 6  
LOWER UNIT ASSEMBLY ..... 7  
MC COVER AND UPPER GRILLE ASSEM ..... 8  
SEALED SYSTEM ASSEMBLY ..... 9





Appendix B:Parts Index

		10916507C .....	9
000206-002 .....	4	12064001 .....	2
000570-000 .....	7, 9	12115101 .....	1
000950-000 .....	3	12234001 .....	1
002668-000 .....	7	40370P01 .....	4
003260-000 .....	8	A3030361 .....	1, 2
003274-000 .....	8	A4554806 .....	7, 8
003277-000 .....	8	A4554817 .....	2
003278-000 .....	8	B10914128 .....	1
003279-000 .....	8	B20915627 .....	7
003280-000 .....	8	B5733302 .....	5
003325-000 .....	9	C20910752 .....	4
004528-000 .....	5	C8982701 .....	9
004551-000 .....	5, 7	C8983701 .....	1
005319-000 .....	2	F20910729 .....	9
005448-000 .....	3	F20911126 .....	6, 9
007407-000 .....	9	F20913719 .....	6
007459-000 .....	3	F2096507 .....	9
010509-000 .....	2	F2097740 .....	9
011666-000 .....	9	F2099927 .....	7
012259-000 .....	5	G32911938 .....	5
016179-000 .....	3	G50911937 .....	5
016180-000 .....	3	G50911940 .....	1
019590-000 .....	8	G50914188 .....	6
019606-000 .....	8	G50915603 .....	7
020114-000 .....	5	G50915958 .....	9
033785-000 .....	3	G5096494 .....	9
036886-000 .....	3	G5099928 .....	8
043624-000 .....	5	K20910060 .....	2
044232-000 .....	5	K20910061 .....	2
044384-000 .....	5	K20911832 .....	7
045692-000 .....	5	K20912393 .....	1
049987-000 .....	6	K20912394 .....	1
050894-000 .....	9	K20912569 .....	9
060890-000 .....	7	K20912570 .....	9
060891-000 .....	7	K20914102 .....	1
062776-000 .....	9	K20914130 .....	1
10270203 .....	5	K20914131 .....	1
10547001 .....	9	K20915000 .....	2
10699601 .....	9	K20915675 .....	8
10835901 .....	9	K20915953 .....	7



K2098044	7	PB970188	6
K2098096	7	PC020275	3
K2098654	2	PC020288	7
K2099037	4	PC020289	7
K2099402	2	PC040010	2, 2, 7, 8
K2099455	8	PC910015	7
K2099459	8	PC920144	7
K2099460	8	PC920145	7
K2099930	8	PC920149	7
K2099932	8	PC920203	9
L20910734	1	PC920204	9
L20913709	1	PD020010	1, 9
L20914101	1	PD020013	1, 2
L20915602WH	7	PD020032	6
L2099492	5	PD020193	4
M0104102	6, 7, 9	PD020194	1, 2, 6, 7, 8, 9
M0104106	1, 2, 7	PD020195	5
M0210443	4	PD020233	8
M0210458	3	PD020238	1
M0211014	9	PD020274	7
M0211021	5	PD030118	9
M0215318	4	PD030146	7
M0220417	7	PD040150	1
M0221523	7, 9	PD040157	8
M0223509	8	PD050019	3
M0224128	2, 5	PD920162	5
M0238535	5	PD920174	3
M0238846	2	PD940090	7
M0238859	1	PD940091	7
M0253916	7, 8	PD940094	7
M0288120	2	PD940107	7
M0327801	7, 9	PE050248	7
M0581001	5	PE070728	2
M0585504	2	PE070785	2
M0585506	2	PE070823	7
PB070288	1	PE950122	2
PB070355	8	PE950125	5
PB920171	9	PE950147	7
PB920246	6, 9	PE950149	9
PB970171	8	PE950154	1
PB970187	9	PE970464	2



PE970609 ..... 2  
PE970641 ..... 1  
PF031268 ..... 7  
PF930654 ..... 7  
PF930672 ..... 2  
PF930682 ..... 9  
PF931036 ..... 3  
PK030445 ..... 6  
PK030446 ..... 6  
PK030457 ..... 2  
PK050004 ..... 8  
PK910089 ..... 8  
PK920066 ..... 4  
PK930172 ..... 5  
PK930173 ..... 5  
PK930174 ..... 5  
PK930175 ..... 5  
PK930176 ..... 5  
PK930283 ..... 5  
PK930284 ..... 5  
PK930307 ..... 5  
PK930308 ..... 5  
PK930309 ..... 5  
PK930346 ..... 5  
PK930347 ..... 7  
PK930424 ..... 9  
PM010616 ..... 9  
PM910280 ..... 5  
PM910287 ..... 5  
PM910288 ..... 5  
PM910325 ..... 2  
PM910334 ..... 5  
PM910457 ..... 6  
V12203602 ..... 3