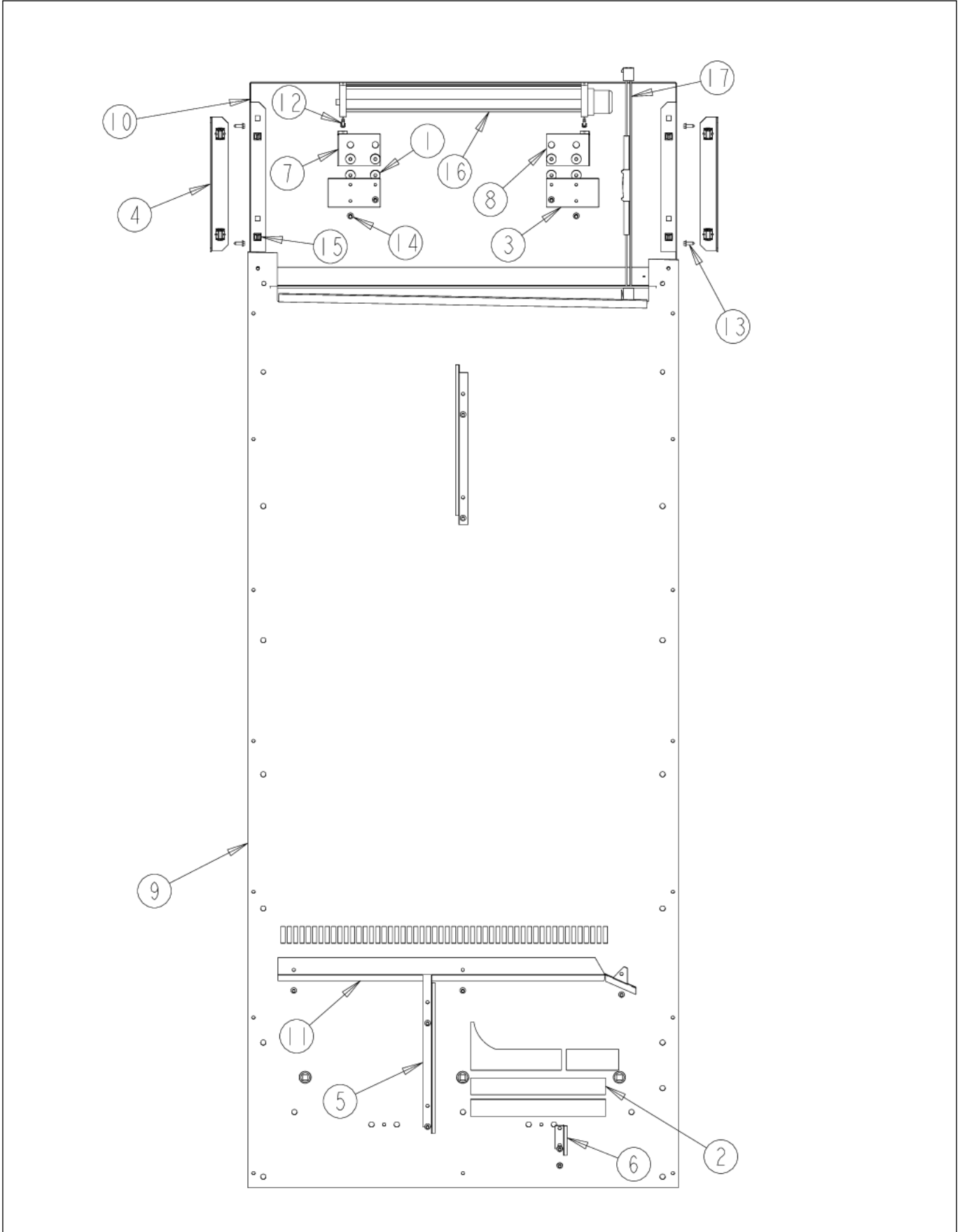


DFRB304

AIR HANDLING ASSY	1
CONTROL ASSY	2
DOOR ASSY	3
INTERIOR ASSEMBLY	4
LOW SIDE ASSEMBLY	5
LOWER UNIT AND TRIM ASSY	6
SEALED SYSTEM ASSY	7
UPPER GRILLE ASSY	8
Appendix A:Pages Index	A
Appendix B:Parts Index	B

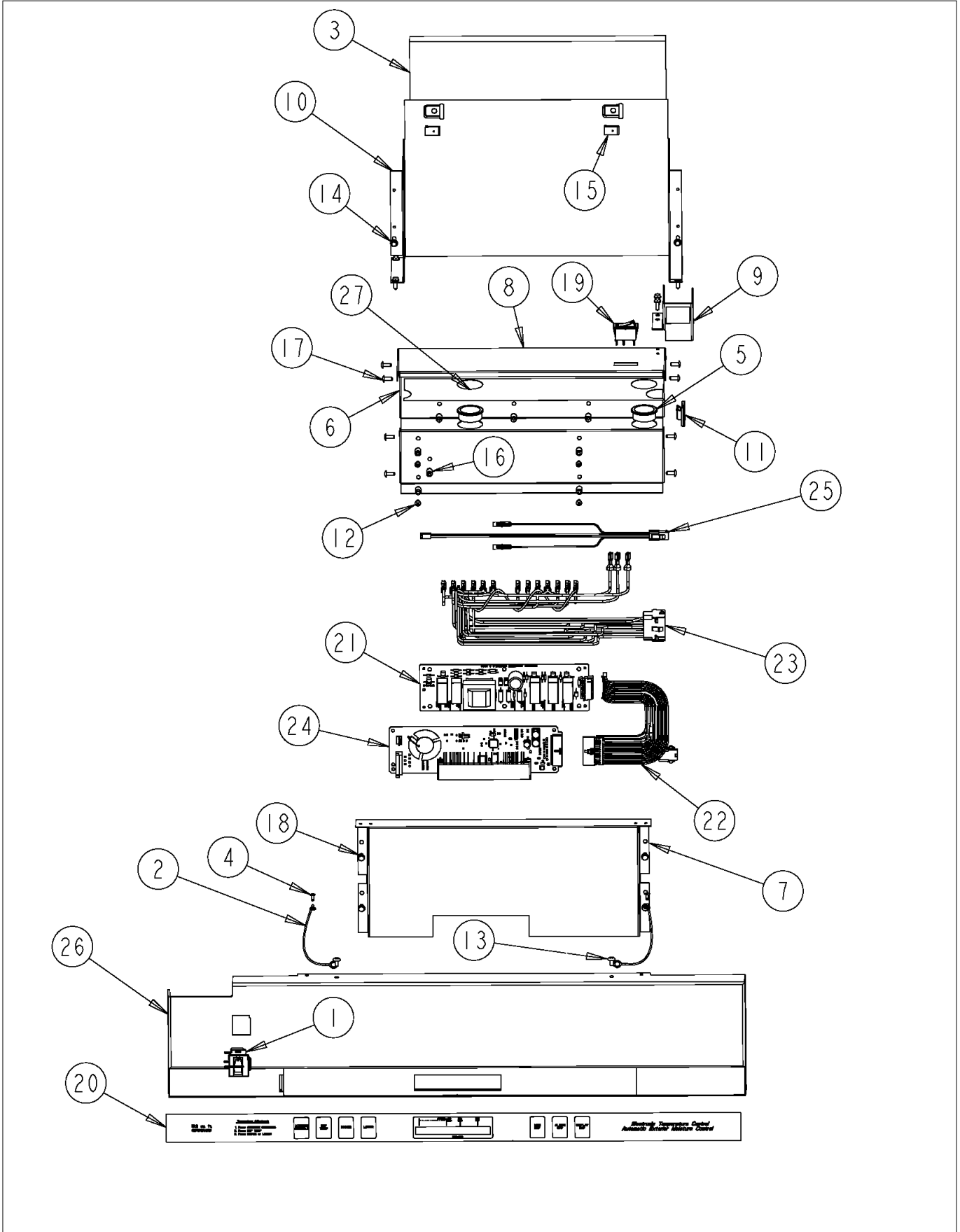
AIR HANDLING ASSY





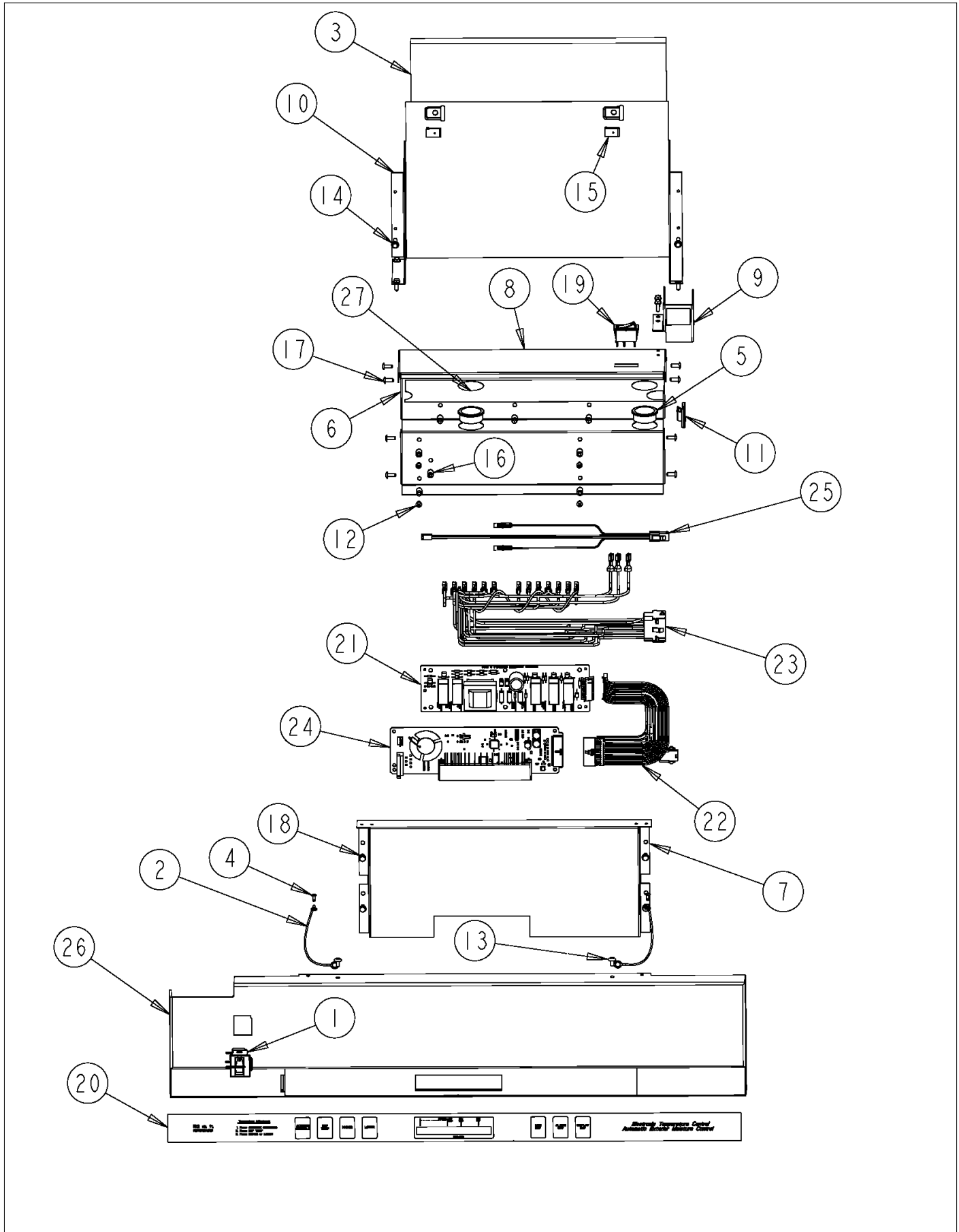
Item	Part No.	Name	Qty	Uom	NOTES
1	12234001	GROMMET-VIBRATION	1	EA	
2	A3030361	GASKET RED	1	EA	
3	B10914128	SPACER FAN AR 36/30	1	EA	
4	G50912369	ANGLE UPR EVAP MTNG AR	1	EA	NO LONGER AVAILABLE
5	K20912393	PLATE BAFFLE VERTICAL AR 30	1	EA	Not available online / Call for pricing and availability
6	K20912394	PLATE BAFFLE VERTICAL SMALL AR 30	1	EA	
7	K20914130	BRKT, FAN MTG RT AR 30	1	EA	Not available online / Call for pricing and availability
8	K20914131	BRKT, FAN MTG LT AR 30	1	EA	
9	L20910734	COVER LARGE SUMP AR 30	1	EA	
10	L20911947	COVER EVAP AR 30	1	EA	NO LONGER AVAILABLE
11	L20913709WH	DIVIDER AIR AR 30	1	EA	
12	PD020013	TYPE "AB" #6 X 3/8 PH PAN HD. SMS	1	EA	
13	M0238616	SCREW, SMALL	1	EA	
14	M0238859	SCREW-SHLDR	1	EA	
15	PD950012	STRIKE PANEL ACCESS	1	EA	
16	PE950154	FAN EVAP HORIZ AF AR 30 (See TR-0063-SP Fan Bulletin)	1	EA	See TR-0063-SP Fan Bulletin
<p>Comments for Part Num. PE950154</p> <p>gboltz@VikingRange.com on Apr 18, 2019 See TR-0063-SP Fan Bulletin</p>					
17	PE970641	JUMPER FAN RESISTOR	1	EA	

CONTROL ASSY





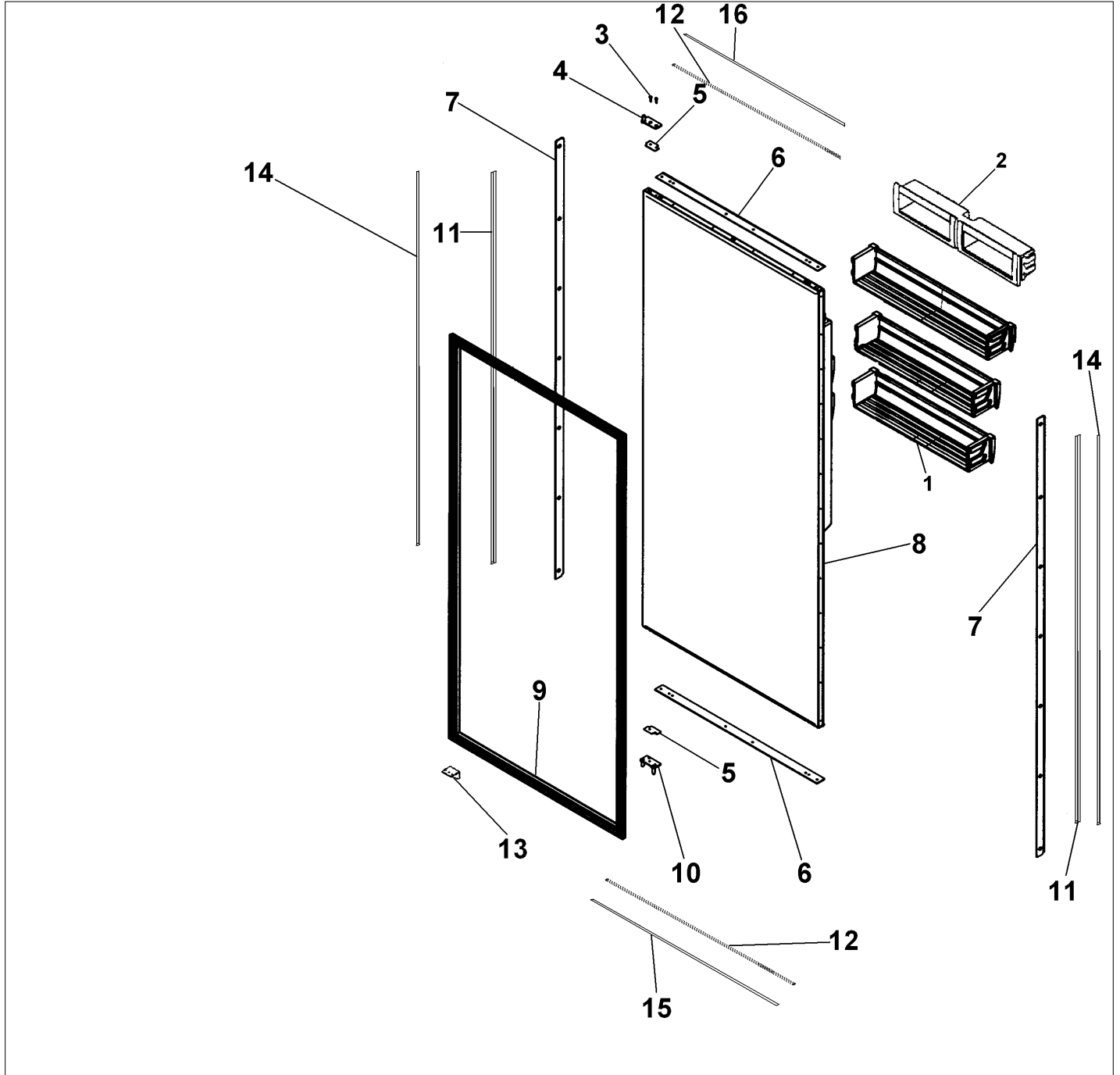
Item	Part No.	Name	Qty	Uom	NOTES
1	PE950122	SWITCH		EA	
2	12064001	SUPP-CONT PANEL		EA	
3	12074703	INSUL-CONT BOX V12074703		EA	NO LONGER AVAILABLE, Not available online / Call for pricing and availability
4	A4539601	DAMPER-TUBING .8		EA	Not available online / Call for pricing and availability
5	A4554817	BUSHING-SNAP VA4554817		EA	
6	K20910060	BRACKET - PC		EA	
7	K20910061	CONTROL BOX FRONT		EA	
8	K20910062	CONTROL BOX TOP		EA	NO LONGER AVAILABLE, Not available online / Call for pricing and availability
9	K2098654	Bracket, Power Switch		EA	
10	K2099402	CONTROL BOX		EA	
11	M0104106	CLIP-CORD VM0104106		EA	
12	PD020013	TYPE "AB" #6 X 3/8 PH PAN HD. SMS		EA	
13	M0224128	SCREW-SM		EA	
14	M0238846	SCREW-SHLDR		EA	
15	M0288120	NUT-SPEED VM0288120		EA	
16	M0585506	SUPPORT		EA	
17	PC040010	POP RIVET (.063/GR -.125) GAMD42-A		EA	
18	PD020194	SCREW-SM		EA	
19	PE950150	SPDT ROCKER SW. W/LEGEND		EA	
20	PE950183	SWITCH OVERLAY AR 30		EA	
21	005319-000	POWER CONTROL BOARD ASM 5 SERIES		EA	
Comments for Part Num. 005319-000					
boltz on Apr 12, 2018 See TR-0056-SP Bulletin					
22	PE970464	HARNESS LOW VOLT 5 SERIES		EA	





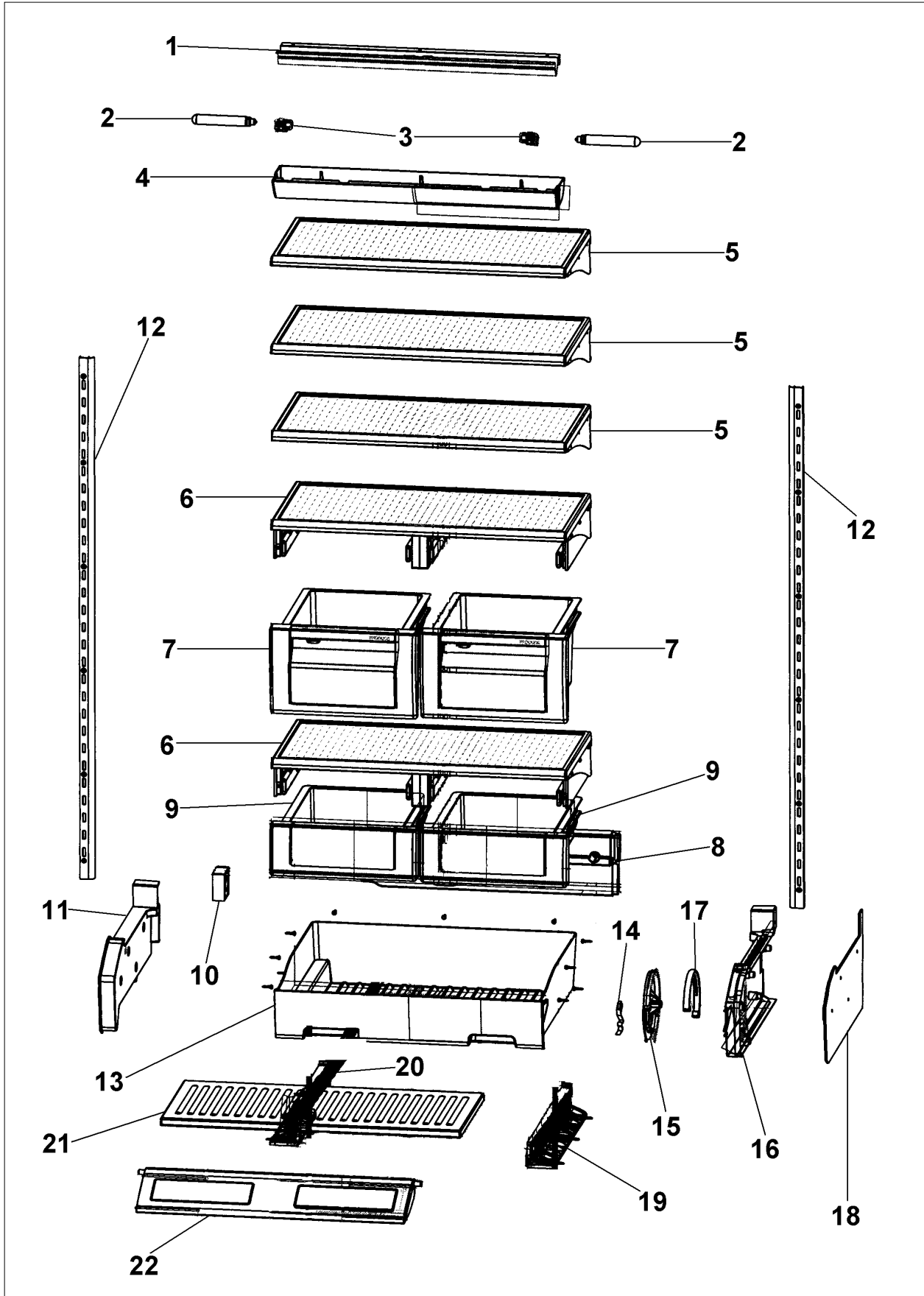
Item	Part No.	Name	Qty	Uom	NOTES
23	PE970465	HARNESS HIGH VOLT		EA	
24	002670-000	LOW VOLTAGE BOARD KIT W/HARNESS		EA	
Comments for Part Num. 002670-000 boltz on Apr 12, 2018 See TR-0022-SP Bulletin					
Not Shown	NOTE	BEFORE 01/22/05		EA	
Not Shown	PE070728	BOARD LOW VOLTAGE		EA	
Comments for Part Num. PE070728 bradleysapplianceservice@shaw.ca on Apr 27, 2016 COULD ALSO USE: 002670-000 LOW VOLTAGE BOARD KIT ANALOG - INCLUDES WIRE HARNESS					
Not Shown	NOTE	ON OR AFTER 01/22/05		EA	
25	PE970609	HARNESS CONTROL BOARD 5 SERIES		EA	
26	PK030457	PANEL CONTROL AR 30 L		EA	
Not Shown	PK030456	PANEL CONTROL AR 30 R		EA	
27	PM910325	FILM, PROTECTIVE		EA	

DOOR ASSY



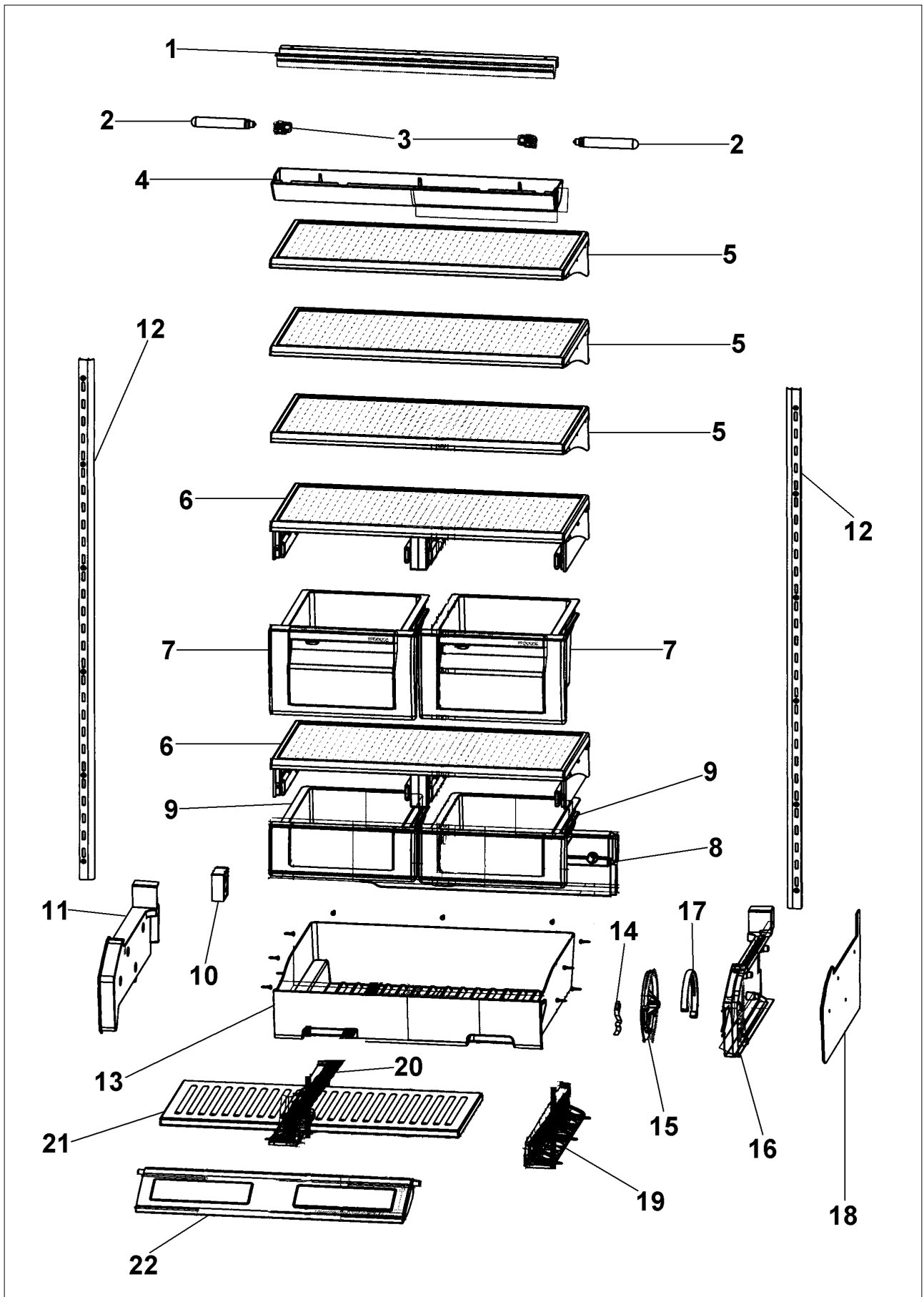
Item	Part No.	Name	Qty	Uom	NOTES
1	036886-000	DOORBIN ASM SXS 48 FF	1	EA	
2	V12203602	DAIRY MODULE ASSY #	1	EA	
3	M0226233	SUB TO PD920174 - 10 X 7/8 PHILLIPS SMA TRI LOBE SA	1	EA	
4	PC920208	PIVOT PL ASM LH UP FOL	1	EA	
Not Shown	PC920204	HINGE ASM UL	1	EA	
5	PD940092	SPACER - DOOR HINGE	1	EA	
6	PM910432	TRIM DOOR AF AR 30 TOP BOT FOL	1	EA	Not available online / Call for pricing and availability
7	000953-000	EXTRUSION,FOL,SIDE	1	EA	
8	G5099057	DOOR ASM COMPLETE AR 30	1	EA	
9	PB070297	DOOR GASKET, 30 AR/AF SIDE CHARGE	1	EA	
10	PC920206	PIVOT PL ASM LH LW FOL	1	EA	
Not Shown	PC920205	PIVOT PL ASM RH LW FOL	1	EA	
11	K2096650	BRKT-DEC PANEL	1	EA	
12	K2096651	BRKT-DEC PANEL	1	EA	
13	PD050019	STRIKER DOOR SWITCH	1	EA	
14	PM910097	INSERT SXS FF/FZ SIDE 12063706	1	EA	
15	PM910117	INSERT 36 BM FZ TOP L	1	EA	
16	PM910117	INSERT 36 BM FZ TOP L	1	EA	
NI	M0210443	SCREW-E SM VM0210443	1	EA	

INTERIOR ASSEMBLY





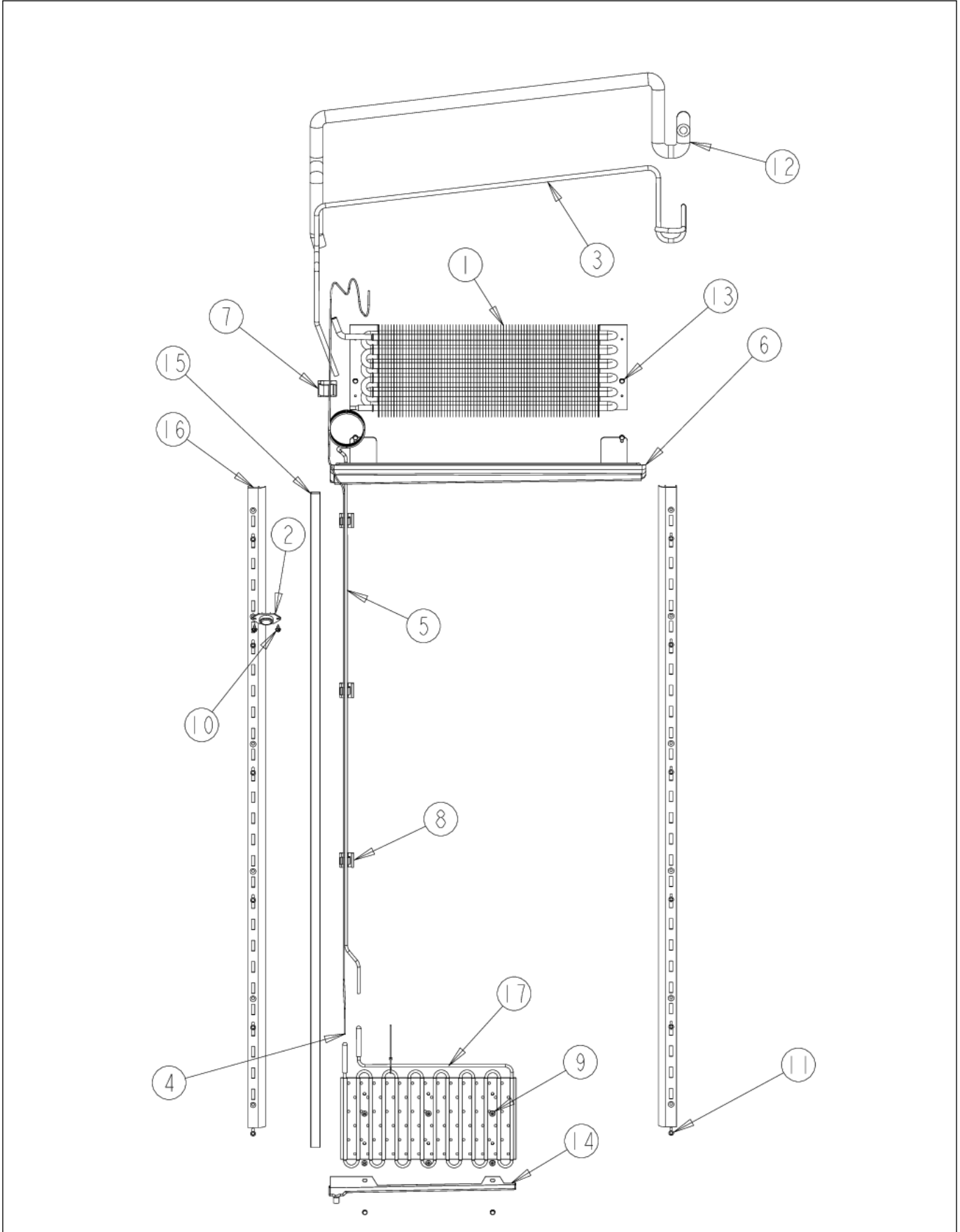
Item	Part No.	Name	Qty	Uom	NOTES
1	L2099492	BRACKET LIGHT SXS 48 FF	1	EA	
2	004528-000	LAMP, 40 WATT CLEAR LIGHT	1	EA	
3	PE950125	LIGHT SOCKET	1	EA	
4	020114-000	COVER LIGHT ASM AF/AR 30 SXS 48 FF	1	EA	
5	043624-000	SHELF ASM GLASS 30 AR 48 FF	1	EA	
6	G50911937	SHELF ASM	1	EA	
7	G32911939	DRAWER PRODUCE ASM SXS 48 AR 30	1	EA	
8	PK930307	DUCT MEAT SAVOR AR 30 SXS 48	1	EA	
9	G32911938	DRAWER DELI ASM SXS 48 AR 30	1	EA	
10	004551-000	AXIAL FAN	1	EA	
<p>Comments for Part Num. 004551-000</p> <p>gboltz@VikingRange.com on Jul 21, 2016</p> <p>View service bulletin TR-0052-SP before ordering fan, if applicable order kit instead of fan</p>					
11	PK930284	DUCT MEATSAVOR LEFT	1	EA	
12	PM910280	LADDER SIDE AF 30 36	1	EA	
13	PK930309	DRAWER MEAT SAVOR AR 30 SXS 48	1	EA	
14	PM910334	ROLLER TENSION	1	EA	
15	044384-000	DIAL CONTROL MEAT SAVOR	1	EA	
16	044232-000	DUCT MEAT SAVOR (R)	1	EA	
17	PK930172	COVER CONTROL MEAT SAVOR	1	EA	
18	PK930283	DUCT MEATSAVOR SPACER	1	EA	
19	PM910287	SLIDE MEAT SAVOR R	1	EA	
20	PM910288	SLIDE MEAT SAVOR L	1	EA	
<p>Comments for Part Num. PM910288</p> <p>profixappliances@gmail.com on May 3, 2017</p> <p>ITEM # 5 SHOULD BE PK930288-DOOR MEATSAVOR ASM AR/BM 36</p>					
21	PK930308	SHELF MEAT SAVOR AR 30 SXS 48	1	EA	





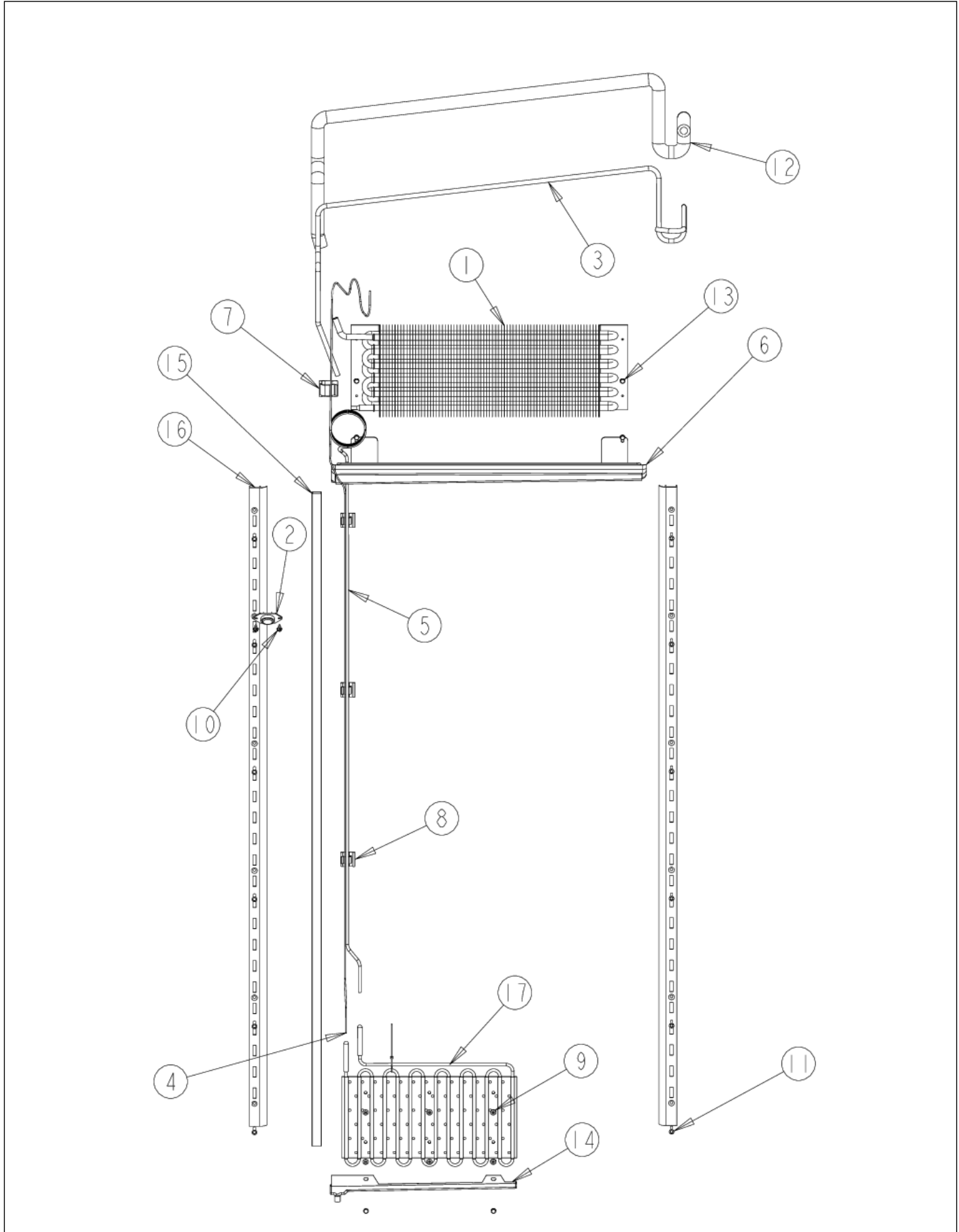
Item	Part No.	Name	Qty	Uom	NOTES
22	045692-000	DOOR MEATSAVOR ASM AR 30 SXS 48	1	EA	

LOW SIDE ASSEMBLY



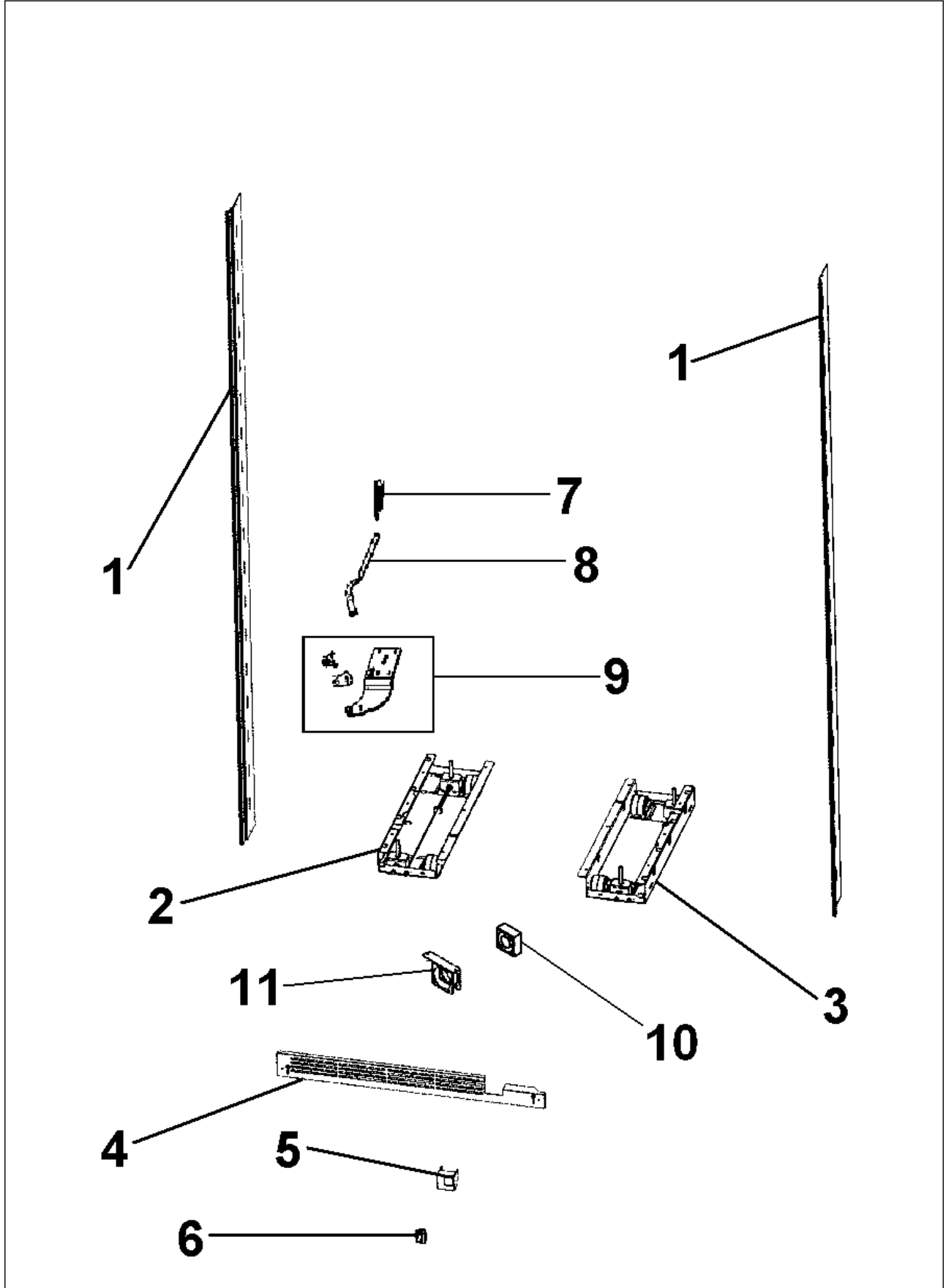


Item	Part No.	Name	Qty	Uom	NOTES
1	065658-000	EVAPORATOR, AR, 30, ADAPTER	1	EA	
2	C8983701	THERMISTOR	1	EA	
3	F20911126	TUBE SUCTION AR 30	1	EA	
4	PB920246	TUBE CAPILLARY ASM AR 36 30	1	EA	
5	F20913719	TUBE EVAP AR 30	1	EA	
6	G50914188	DRAIN PAN ASM UPPER AR30	1	EA	
7	M0104102	CLIP-CORD RED	1	EA	
8	M0104106	CLIP-CORD VM0104106	1	EA	
9	M0220417	SCREW-TC	1	EA	
10	M0232929	SCREW-SE	1	EA	
11	M0238535	SCREW-SM	1	EA	
12	PB970187	INSULATION TUBING 57.500 WC, 5 SERIES	1	EA	
13	PD020194	SCREW-SM	1	EA	
14	PK030445	PAN DRAIN LOWER EVAP AR 30 36	1	EA	
15	PK030446	DRAIN VERTICAL AR 30 36	1	EA	
16	PM910280	LADDER SIDE AF 30 36	1	EA	
17	049987-000	MS HEAT EXCH ASM AR 36 30	1	EA	



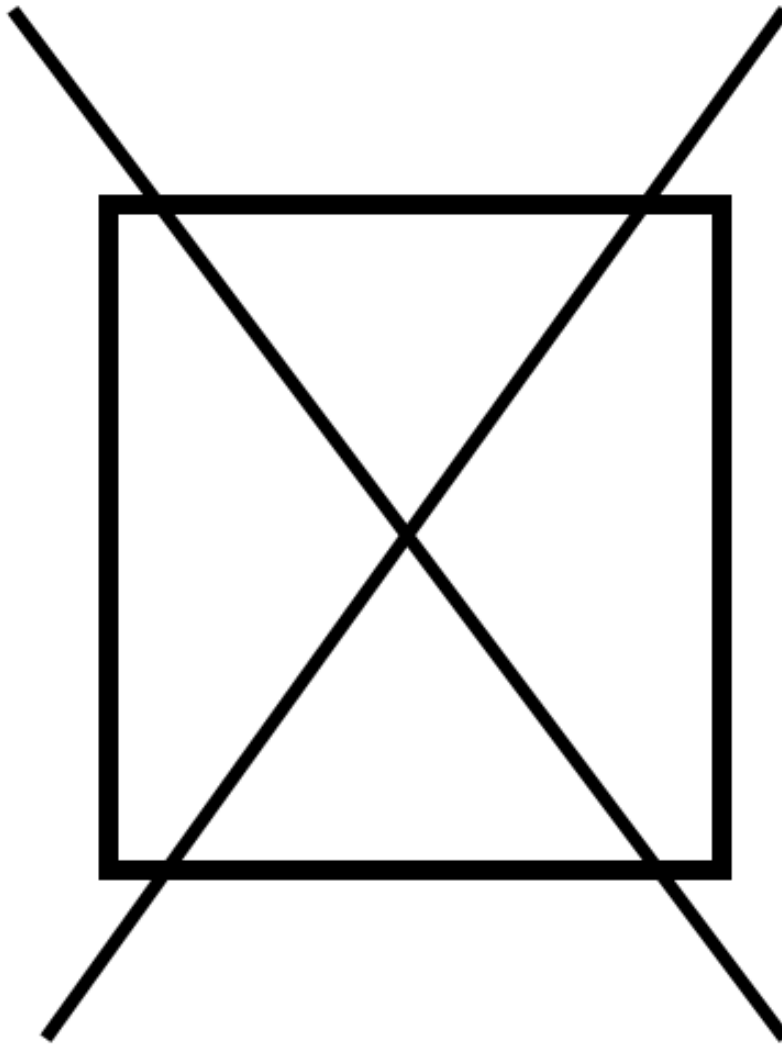
Item	Part No.	Name	Qty	Uom	NOTES
Comments for Part Num. 049987-000					
bradleysapplianceservice@shaw.ca on Sep 22, 2017					
SUBS TO: 049987-000 HEAT EXCHANGER AR 30" / 36"					
crystal@knservice.com on Sep 22, 2017					
This new aluminum h/e melts where it meets the copper tip when welding during a repair. Any recommendations to prevent this?					
Reply by corcoran1@cox.net on Dec 21, 2017					
Try heat sink and wrap it in wet towel, use oxy-acetylene torch as opposed to map gas					
Reply by bradleysapplianceservice@shaw.ca on Jun 5, 2018					
Yes, we have used heat paste but wet rags torn into thin strips works just as good and readily available.					
Reply by tim@tnrappliance.com on Dec 20, 2018					
this new aluminum is crap can baerly heat it and the copper tip comes off. i now get to redo the job when i get another heat exchanger. has anyone used an apoxy to set the tubes.					
bradleysapplianceservice@shaw.ca on Jun 5, 2018					
Use caution when brazing, must use heat sink to avoid melting the aluminum. Use heat paste or wet rags. Also be sure check ports before installing. We have had a plugged port from factory when they installed the copper ends they closed off the port internally. Can't be seen easily so use nitrogen to blow through ports to be sure they are not plugged. It would have been nice to see at least 3 more inches of copper on the ends. It's easier to cut the above tubing to size than deal with these stubby copper ports.					

LOWER UNIT AND TRIM ASSY



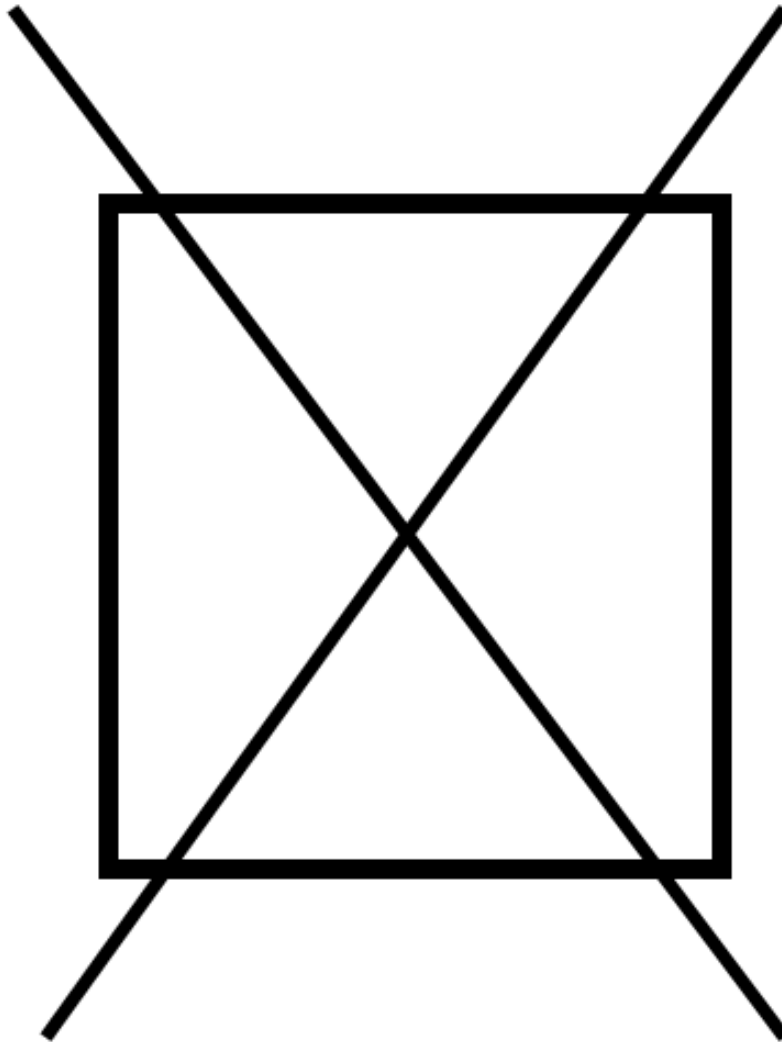
Item	Part No.	Name	Qty	Uom	NOTES
1	PK920066	TRIM, EXTRU, SIDE DES	1	EA	
2	060891-000	LEVELER MODULE L	1	EA	
3	060890-000	LEVELER MODULE R	1	EA	
4	G50911380	GRILLE TOE ASM COMPLETE 30 R	1	EA	
Not Shown	G50911381	GRILLE TOE ASM 30 LH	1	EA	
5	C9098046BK	BASE GRILLE SWITCH MOUNT - RH	1	EA	Not available online / Call for pricing and availability
6	PE950147	SWITCH SPST NC BLACK	1	EA	
<p>Comments for Part Num. PE950147</p> <p>bradleysapplianceservice@shaw.ca on May 1, 2017 CAUTION WHEN ORDERING DOOR SWITCH. PARTS LISTINGS COULD BE INCORRECT. THERE IS TWO VERSIONS OF THIS DOOR SWITCH THAT NEEDS TO BE VISUALLY CHECKED ON UNIT TO DETERMINE CORRECT PART. PE950146 DOOR SWITCH 3 WIRE SPDT BLACK PE950147 DOOR SWITCH 2 WIRE SPST BLACK</p>					
7	PC910015	SPRING EXTENSION	1	EA	
8	PC920149	BAR-WC BOT HINGE LH	1	EA	
Not Shown	PC920166	HINGE ASM COMPLETE RR	1	EA	
9	G3298649	HINGE ASM COMPLETE LL	1	EA	
Not Shown	G3298648	HINGE ASM COMPLETE LR	1	EA	
10	004551-000	AXIAL FAN	1	EA	
<p>Comments for Part Num. 004551-000</p> <p>gboltz@VikingRange.com on Jul 21, 2016 View service bulletin TR-0052-SP before ordering fan, if applicable order kit instead of fan</p>					
11	K20911976	BRACKET EVAP FAN ICE	1	EA	NO LONGER AVAILABLE

NON
ILLUSTRATED PART



Item	Part No.	Name	Qty	Uom	NOTES
1	F2096507	TUBE-PROCESS GRN	1	EA	
2	050894-000	ASSY, BKT, PWR SUPPLY, 24VDC, REF	1	EA	
3	10547001	CLIP-DRIER V10547001	1	EA	
4	10699601	DAMPER-TUBING .8	1	EA	
5	10835901	GROMMET RUBBER V10835901	1	EA	
6	F20910729	TUBE DISCHARGE AF AR 30	1	EA	
7	F20911126	TUBE SUCTION AR 30	1	EA	
8	PB920246	TUBE CAPILLARY ASM AR 36 30	1	EA	
9	F2096669	TUBE-DRIER COND	1	EA	
10	G5096494	COND. FAN ASSY	1	EA	
11	K20912569	BRACKET GRILLE SUPPORT	1	EA	
12	K20912570	DIVERTER AIR HI SIDE 30	1	EA	Not available online / Call for pricing and availability
13	M0103904	CLAMP-SPEED	1	EA	NO LONGER AVAILABLE, Not available online / Call for pricing and availability
14	M0211018	SCREW-SM	1	EA	
15	M0221523	SCREW - SHLDR	1	EA	
16	PD020194	SCREW-SM	1	EA	
17	PB920171	CONDENSER ASM	1	EA	
18	PB970187	INSULATION TUBING 57.500 WC, 5 SERIES	1	EA	
19	PC920204	HINGE ASM UL	1	EA	
Not Shown	PC920203	HINGE ASM UR	1	EA	
20	000570-000	FASTENER, BOLT, 1/4-20 IHXWS 1" S ZN SER	1	EA	
21	PE950149	SWITCH POWER	1	EA	
22	011666-000	INVERTER,CMPR,ASM	1	EA	

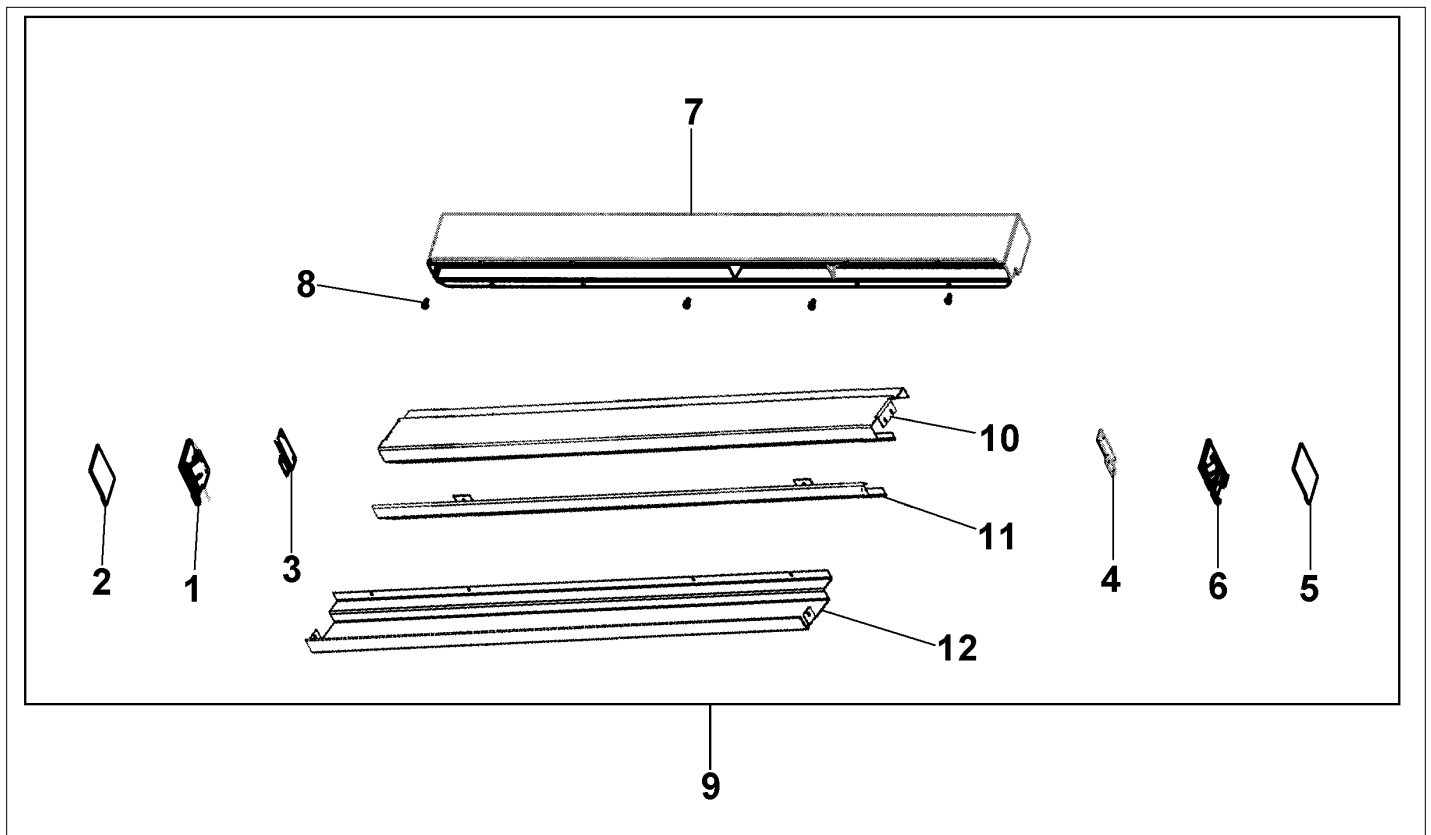
NON ILLUSTRATED PART





Item	Part No.	Name	Qty	Uom	NOTES
Comments for Part Num. 011666-000					
gboltz@VikingRange.com on Aug 9, 2018					
See 2018-01P Parts Bulletin					
23	PM010616	DRIER - HIGH SIDE	1	EA	
24	G50911820	COMPRESSOR KIT	1	EA	
Comments for Part Num. G50911820					
bradleysapplianceservice@shaw.ca on Aug 24, 2018					
SUBS TO: 068640-000 COMPRESSOR KIT (COMES WITH INVERTER)					
SEE BULLETIN: TR-0101A-SP					
NI	10916507	CORD-POWER 5 SERIES	1	EA	

UPPER GRILLE ASSY



Item	Part No.	Name	Qty	Uom	NOTES
1	PM910349	END CAP GRILLE L	1	EA	
2	PM910071	COVER - END CAP 12119801	1	EA	
3	C9099471BK	BRACKET GRILLE SUPPORT DES L	1	EA	Not available online / Call for pricing and availability
4	C9099470BK	BRACKET GRILLE SUPPORT DES R	1	EA	Not available online / Call for pricing and availability
5	PM910072	COVER - END CAP	1	EA	
6	PM910348	ENP CAP GRILLE R	1	EA	
7	G9099202BK	AIR DUCT WELD ASM COMPLETE 30 *BK*	1	EA	NO LONGER AVAILABLE
8	M0238616	SCREW, SMALL	1	EA	
9	G32911166	GRILLE ASM 30 FOL L	1	EA	
Not Shown	G32911167	GRILLE ASM 30 FOL R	1	EA	Not available online / Call for pricing and availability
10	PM910406	GRILLE LOUVER UPPER AF AR 30 DES FOL	1	EA	
11	PM910407	GRILLE LOUVER MID AF AR 30 DES FOL	1	EA	
12	PM910408	GRILLE LOUVER LOWER AF AR 30 L DES FOL	1	EA	NO LONGER AVAILABLE
Not Shown	PM910420	GRILLE LOUVER LOWER AF AR 30 R DES FOL	1	EA	NO LONGER AVAILABLE
NI	PM910437	GRILLE EXTENSION AF AR 30 FOL	1	EA	NO LONGER AVAILABLE, Not available online / Call for pricing and availability
NI	PM910428	GRILLE SPACER AF AR 30 FOL	1	EA	NO LONGER AVAILABLE, Not available online / Call for pricing and availability



Appendix A:Pages Index

AIR HANDLING ASSY 1
CONTROL ASSY 2
DOOR ASSY 3
INTERIOR ASSEMBLY 4
LOW SIDE ASSEMBLY 5
LOWER UNIT AND TRIM ASSY 6
SEALED SYSTEM ASSY 7
UPPER GRILLE ASSY 8



Appendix B:Parts Index

000570-000	7	G32911938	4
000953-000	3	G32911939	4
002670-000	2	G3298648	6
004528-000	4	G3298649	6
004551-000	4, 6	G50911380	6
005319-000	2	G50911381	6
011666-000	7	G50911820	7
020114-000	4	G50911937	4
036886-000	3	G50912369	1
043624-000	4	G50914188	5
044232-000	4	G5096494	7
044384-000	4	G5099057	3
045692-000	4	G9099202BK	8
049987-000	5	K20910060	2
050894-000	7	K20910061	2
060890-000	6	K20910062	2
060891-000	6	K20911976	6
065658-000	5	K20912393	1
10547001	7	K20912394	1
10699601	7	K20912569	7
10835901	7	K20912570	7
10916507	7	K20914130	1
12064001	2	K20914131	1
12074703	2	K2096650	3
12234001	1	K2096651	3
A3030361	1	K2098654	2
A4539601	2	K2099402	2
A4554817	2	L20910734	1
B10914128	1	L20911947	1
C8983701	5	L20913709WH	1
C9098046BK	6	L2099492	4
C9099470BK	8	M0103904	7
C9099471BK	8	M0104102	5
F20910729	7	M0104106	2, 5
F20911126	5, 7	M0210443	3
F20913719	5	M0211018	7
F2096507	7	M0220417	5
F2096669	7	M0221523	7
G32911166	8	M0224128	2
G32911167	8	M0226233	3
		M0232929	5



M0238535	5	PK930172	4
M0238616	1, 8	PK930283	4
M0238846	2	PK930284	4
M0238859	1	PK930307	4
M0288120	2	PK930308	4
M0585506	2	PK930309	4
PB070297	3	PM010616	7
PB920171	7	PM910071	8
PB920246	5, 7	PM910072	8
PB970187	5, 7	PM910097	3
PC040010	2	PM910117	3, 3
PC910015	6	PM910280	4, 5
PC920149	6	PM910287	4
PC920166	6	PM910288	4
PC920203	7	PM910325	2
PC920204	3, 7	PM910334	4
PC920205	3	PM910348	8
PC920206	3	PM910349	8
PC920208	3	PM910406	8
PD020013	1, 2	PM910407	8
PD020194	2, 5, 7	PM910408	8
PD050019	3	PM910420	8
PD940092	3	PM910428	8
PD950012	1	PM910432	3
PE070728	2	PM910437	8
PE950122	2	V12203602	3
PE950125	4		
PE950147	6		
PE950149	7		
PE950150	2		
PE950154	1		
PE950183	2		
PE970464	2		
PE970465	2		
PE970609	2		
PE970641	1		
PK030445	5		
PK030446	5		
PK030456	2		
PK030457	2		
PK920066	6		