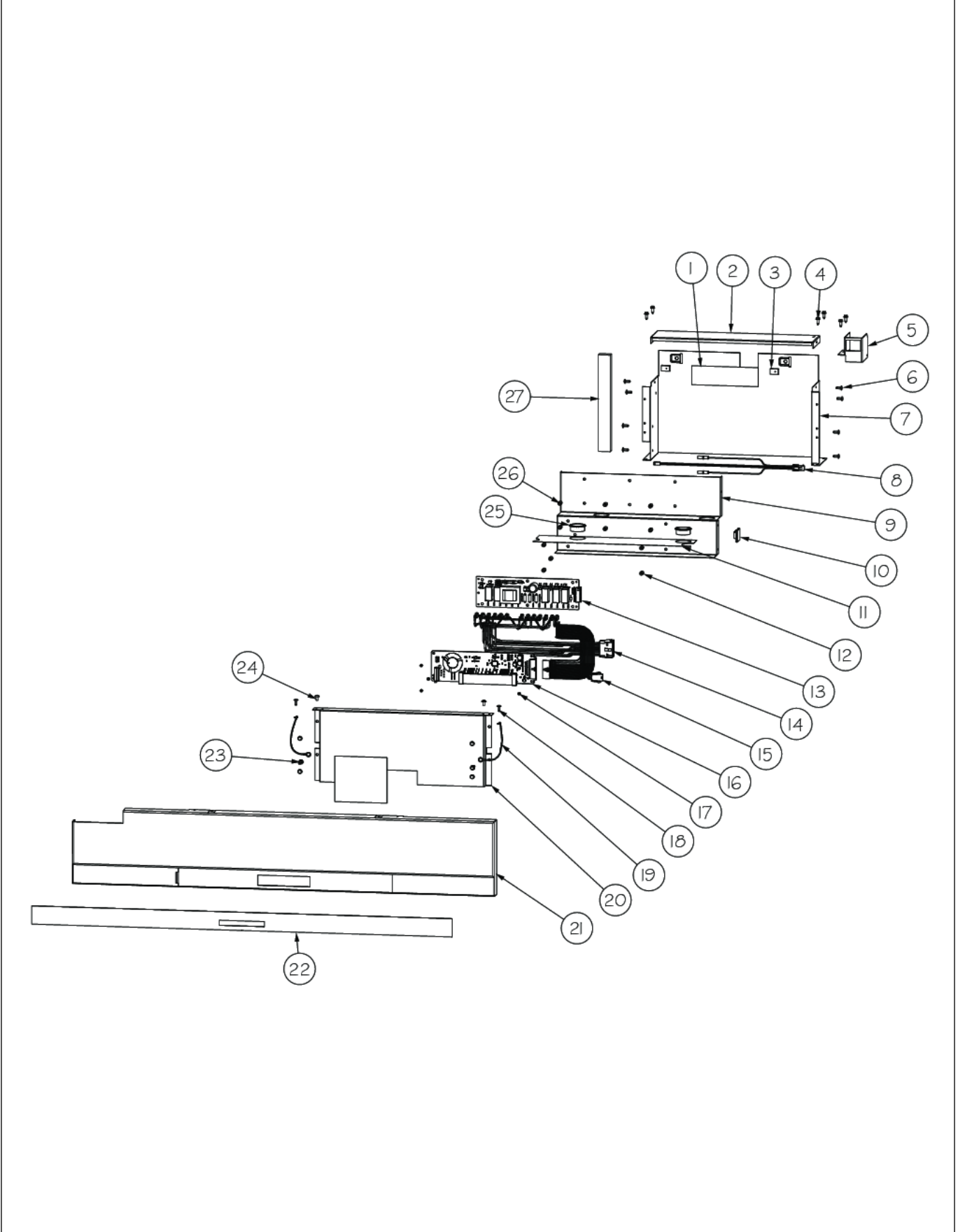


**DFFB536**

CONTROL ASSEMBLY .....	1
DOOR ASSEMBLY .....	2
EVAP COVER AND AIR FLOW ASSY .....	3
EXTERIOR ASSEMBLY .....	4
INTERIOR ASSEMBLY .....	5
LOWER UNIT ASSEMBLY .....	6
MC COVER AND UPPER GRILLE ASSEM .....	7
SEALED SYSTEM ASSEMBLY .....	8
WIRING .....	9
Appendix A:Pages Index .....	A
Appendix B:Parts Index .....	B



CONTROL ASSEMBLY





Item	Part No.	Name	Qty	Uom	NOTES
1	PF930672	LABEL DC COMPRESSOR	2	EA	
2	K20915000	CONTROL BOX TOP	1	EA	
3	M0288120	NUT-SPEED VM0288120	1	EA	
4	PD020194	SCREW-SM	10	EA	
5	K2098654	Bracket, Power Switch	1	EA	
6	PC040010	POP RIVET (.063/GR -.125) GAMD42-A	8	EA	
7	K2099402	CONTROL BOX	1	EA	
8	PE970609	HARNESS CONTROL BOARD 5 SERIES	1	EA	
9	K20910060	BRACKET - PC	1	EA	
10	M0104106	CLIP-CORD VM0104106	1	EA	
11	PM910325	FILM, PROTECTIVE	1	EA	
12	M0585506	SUPPORT	5	EA	
13	005319-000	POWER CONTROL BOARD ASM 5 SERIES	1	EA	

Comments for Part Num. 005319-000

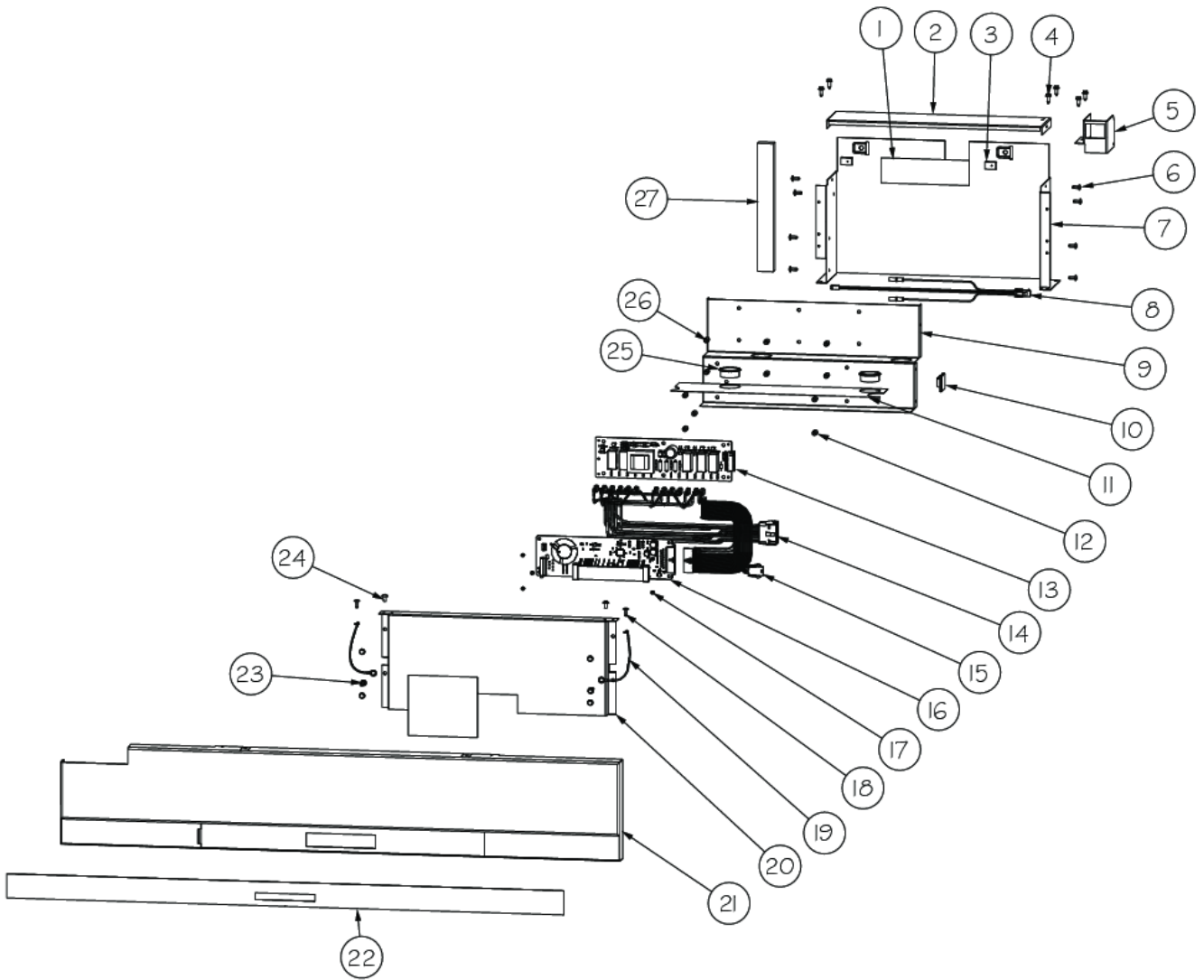
boltz on Apr 12, 2018  
See TR-0056-SP Bulletin

14	PE070785	Harness, High Voltage Board	1	EA	
15	PE970464	HARNESS LOW VOLT 5 SERIES	1	EA	
16	PE070728	BOARD LOW VOLTAGE	1	EA	

Comments for Part Num. PE070728

bradleysapplianceservice@shaw.ca on Apr 27, 2016  
COULD ALSO USE: 002670-000 LOW VOLTAGE BOARD KIT ANALOG - INCLUDES WIRE HARNESS

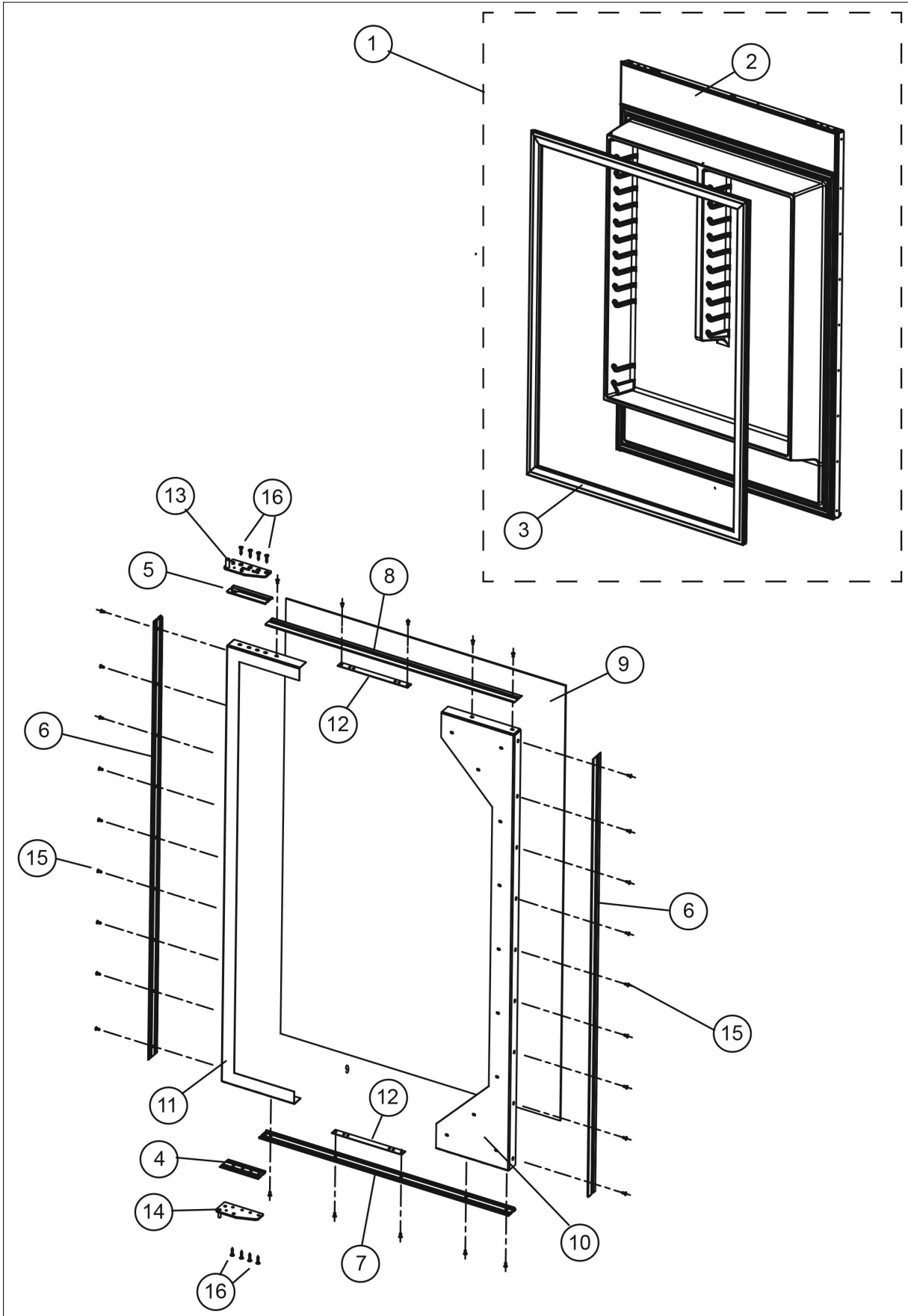
17	PD020013	TYPE "AB" #6 X 3/8 PH PAN HD. SMS	4	EA	
18	PC040010	POP RIVET (.063/GR -.125) GAMD42-A	2	EA	
19	12064001	SUPP-CONT PANEL	2	EA	
20	K20910061	CONTROL BOX FRONT	1	EA	
21	PE940213	COVER CONTROL PANEL 36 AF LH	1	EA	
22	010495-000	OVERLAY,SW,ASM,AF 36	1	EA	





Item	Part No.	Name	Qty	Uom	NOTES
23	M0238846	SCREW-SHLDR	1	EA	
24	M0224128	SCREW-SM	2	EA	
25	A4554817	BUSHING-SNAP VA4554817	2	EA	
26	M0585504	SUPPORT	6	EA	
27	A3030361	GASKET RED	1	EA	

DOOR ASSEMBLY

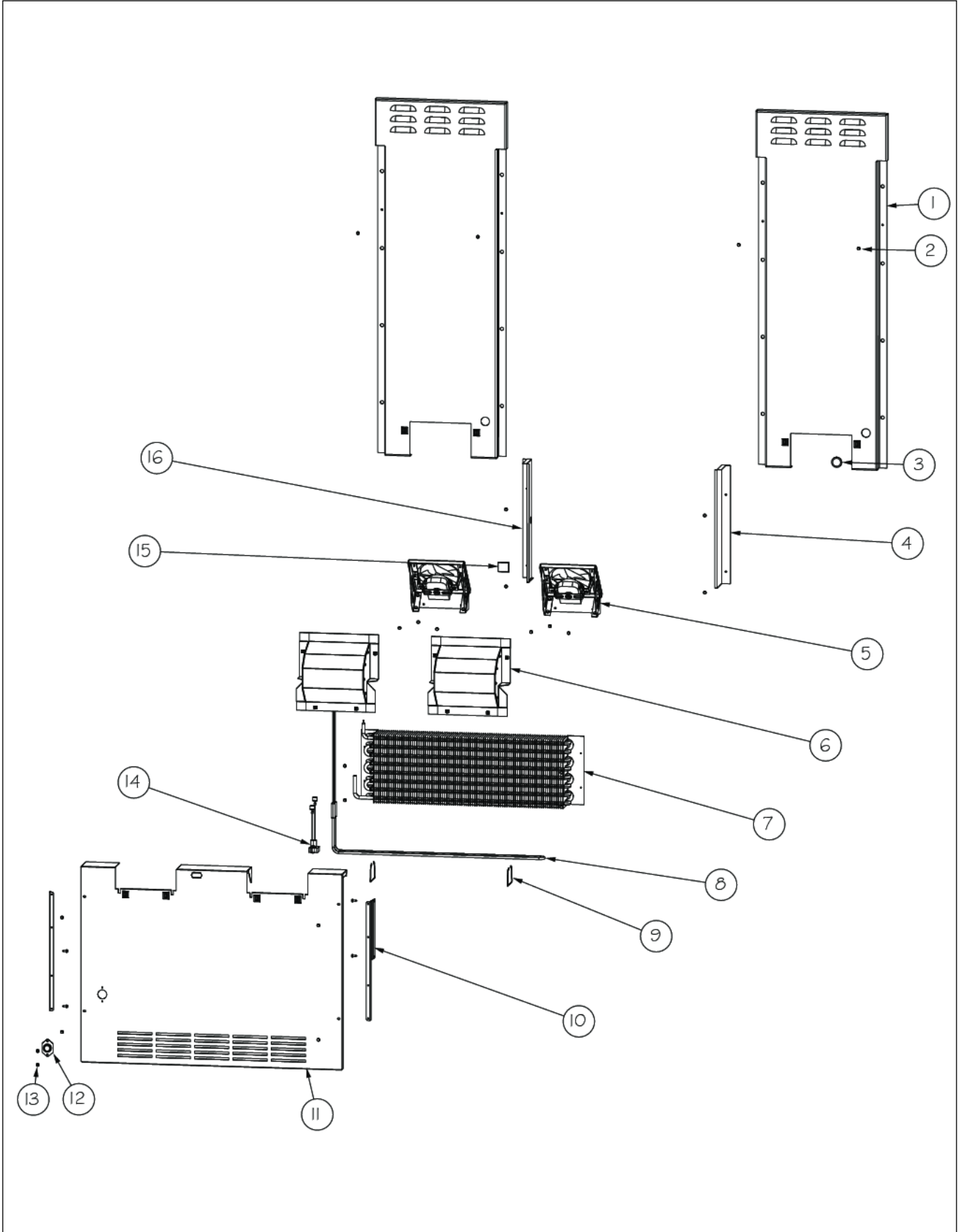






Item	Part No.	Name	Qty	Uom	NOTES
1	007392-000	DOOR ASM AF 36	1	EA	
2	007389-000	DOOR FOAM ASM AF 36	1	EA	
3	005447-000	GASKET,ASM,36,AFAR VID# 602711127-17	1	EA	
4	002076-000	EXTRUSION, FOL, PIVOT PATE SPACER, RIGHT (Left hand door)	1	EA	Not available online / Call for pricing and availability
Not Shown	034902-000	EXTRUSION, FOL, PIVOT PLATE SPACER, RIGHT	1	EA	
5	002295-000	EXTRUSION, FOL, PIVOT PATE SPACER, LEFT (Left hand door)	1	EA	Not available online / Call for pricing and availability
Not Shown	034903-000	EXTRUSION, FOL, PIVOT PLATE SPACER, LEFT	1	EA	
6	002306-000	EXTRUSION,FOL,SIDE,BM,FF	2	EA	
7	002307-000	EXTRUSION,FOL,TOP,36" RIGHT	1	EA	
8	002318-000	EXTRUSION,FOL,TOP,36" LEFT	1	EA	
9	003623-000	SHEET,FOAM, BM FF	1	EA	
10	008220-000	BRACKET,FOL HANDLE SIDE 36 BM	1	EA	
11	008225-000	BRACKET,FOL HINGE SIDE 36 BM	1	EA	
12	008399-000	SPACER,36,30,48FF,FOL	2	EA	
13	PC020285	PIVOT PL ASM LH UP FOL	1	EA	
Not Shown	033785-000	PIVOT PLATE ASM RH UP FOL SXS, AFAR	1	EA	
14	PC020287	PIVOT PL ASM LH LW FOL	1	EA	
Not Shown	016179-000	PIVOT PL ASM RH LW FOL	1	EA	
15	M0215318	SCREW-SM	28	EA	
16	PD920174	10X7/8 PHILLIPS SMA TRI LOBE SA	8	EA	

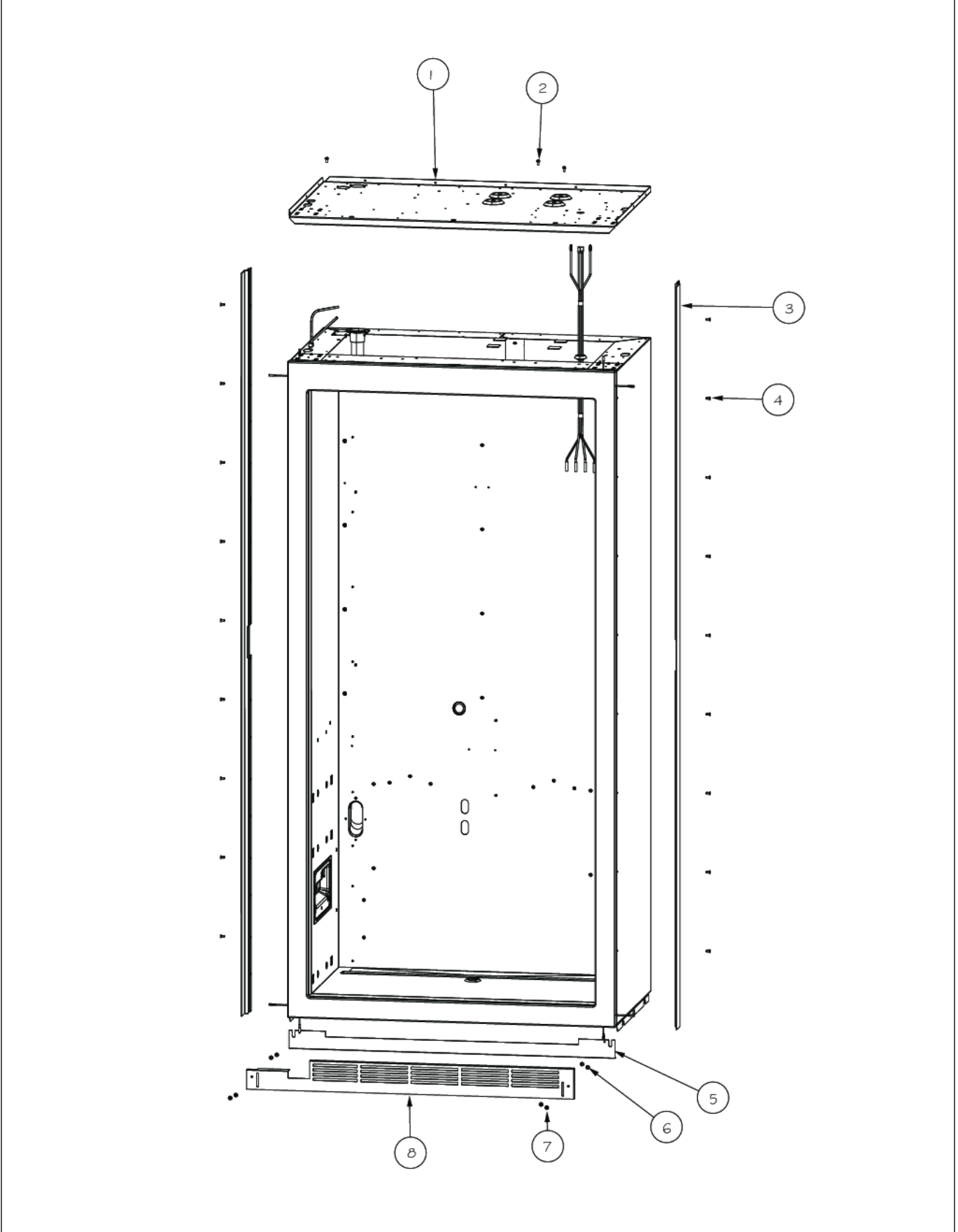
EVAP COVER AND AIR FLOW ASSY





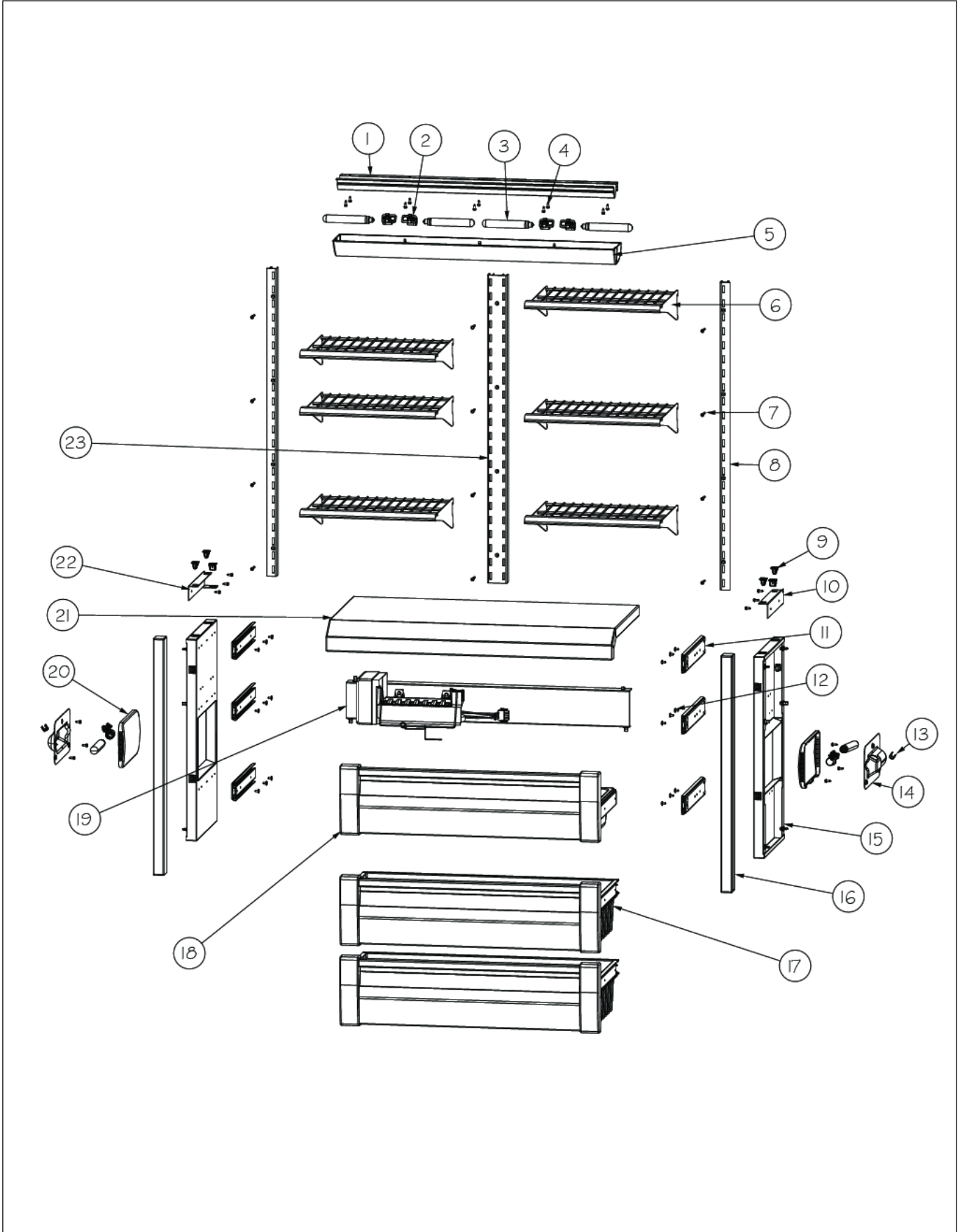
Item	Part No.	Name	Qty	Uom	NOTES
1	G50911183	COVER UPPER EVAP ASM AF 36	2	EA	Not available online / Call for pricing and availability
2	PD020194	SCREW-SM	24	EA	
3	PM910477	PLUG HOLE PLASTIC 1.00 DIA.	1	EA	
4	L20911339	DIVERTER AIR RT 36 AF	1	EA	Not available online / Call for pricing and availability
5	G50912354	FAN ASSEMBLY AF 36	2	EA	
6	G50911134	COVER ASM FAN EVAP AF 36	2	EA	
7	PM910454	EVAPORATOR AF 36	1	EA	
8	PJ910037	DEFROST HEATER AF 36	1	EA	
9	PM910468	CLIP EVAP HTR 36 30 AF	2	EA	
10	K2096461	BRKT-EVAP COVER 12234801	2	EA	
11	G50911182	COVER ASM LOWER EVAP AF 36	1	EA	
12	C8983701	THERMISTOR	1	EA	
13	M0211014	SCREW-SM	2	EA	Not available online / Call for pricing and availability
14	058966-000	THERMOSTAT, SNAP ACTION, 55 OPEN 20 CLOSE	1	EA	
15	M0104102	CLIP-CORD RED	1	EA	
16	L20911338	DIVERTER AIR LFT 36 AF	1	EA	Not available online / Call for pricing and availability

EXTERIOR ASSEMBLY



Item	Part No.	Name	Qty	Uom	NOTES
1	K2098345	OC TOP AF AR 36	1	EA	Not available online / Call for pricing and availability
2	PD020010	10 X 3/8 GREEN GROUNDING SCREW	3	EA	
3	PK920066	TRIM, EXTRU, SIDE DES	2	EA	
4	M0215318	SCREW-SM	18	EA	
5	015559-002	SOLID, TOE, GRILLE, 36 AF, AR, BM	1	EA	
6	40370P01	NYLON FLAT WASHER V40370P01	4	EA	
7	M0210443	SCREW-E SM VM0210443	4	EA	
8	015558-002	VENT, TOE, GRILLE, 36 AF, AR, R	1	EA	
NI	015557-002	VENT, TOE, GRILLE, 36 AF, AR, L	1	EA	
NI	047904-000	SS GRILLE, TOE, ASM, 36 AF, AR, R	1	EA	
Comments for Part Num. 047904-000  bradleysapplianceservice@shaw.ca on Jun 15, 2017 047904-000 TOE GRILLE ASM 36 AF AR RH SS (STAINLESS STEEL)					
NI	047907-000	GRILLE, TOE, ASM, 36 AF, AR L	1	EA	
NI	002306-000	EXTRUSION,FOL,SIDE,BM,FF	1	EA	

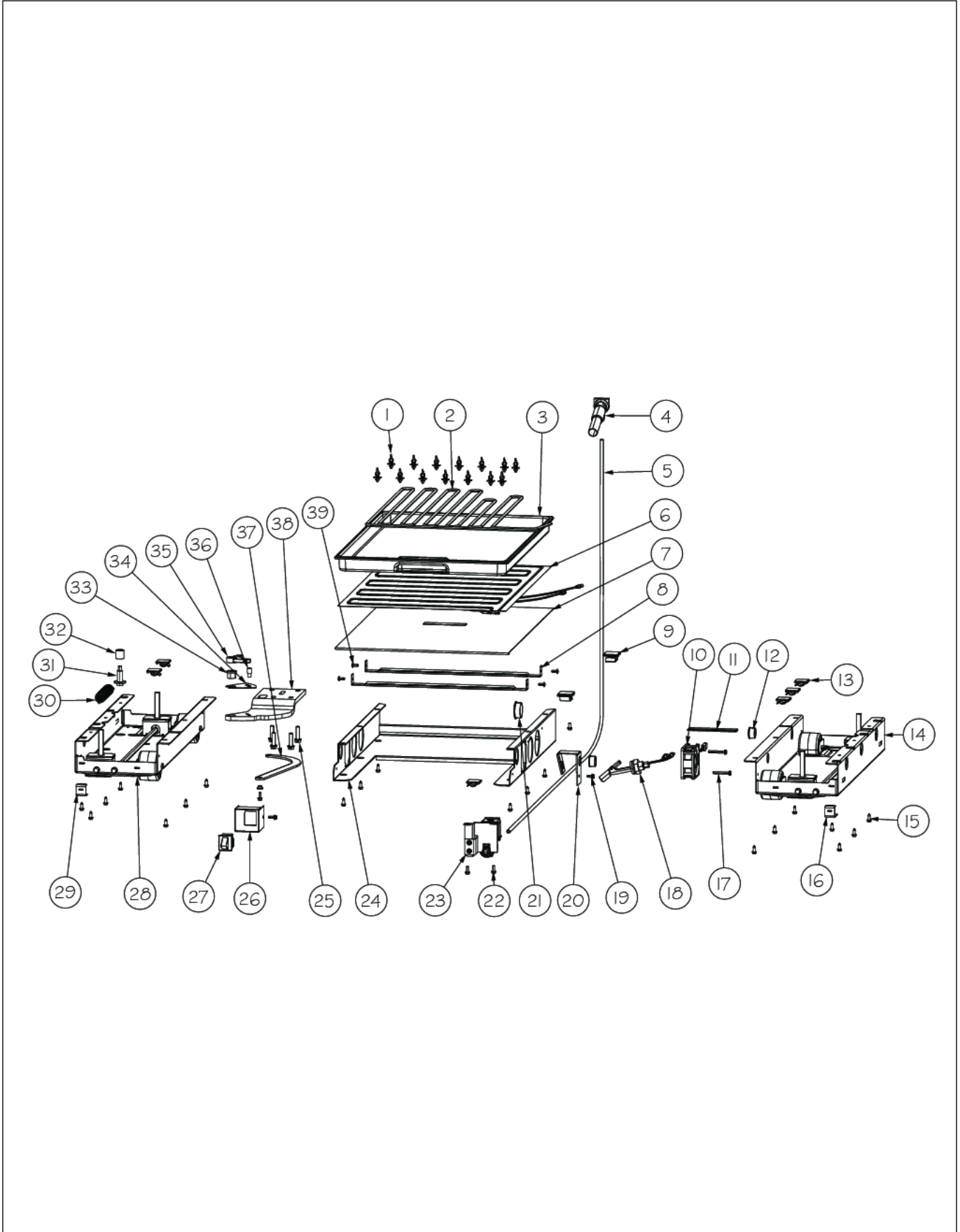
INTERIOR ASSEMBLY





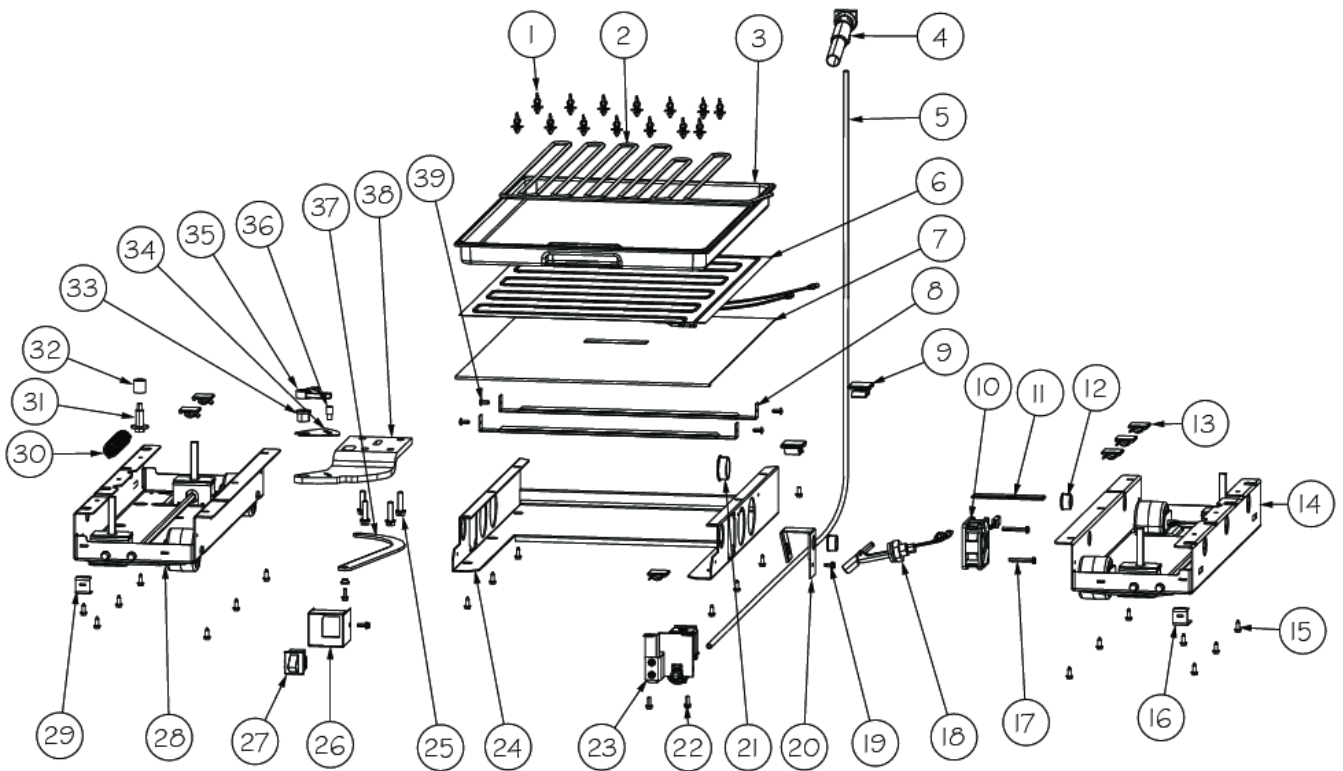
Item	Part No.	Name	Qty	Uom	NOTES
1	L20910705	BRACKET LIGHT AR 36	1	EA	
2	PE950125	LIGHT SOCKET	6	EA	
3	004528-000	LAMP, 40 WATT CLEAR LIGHT	6	EA	
4	PD020194	SCREW-SM	22	EA	
5	020123-000	COVER LIGHT ASM AF AR BM 36	1	EA	
6	PM910411	SHELF WIRE AF 36	6	EA	
7	M0238535	SCREW-SM	12	EA	
8	PM910282	LADDER SIDE	2	EA	
9	PD950013	LATCH PANEL ACCESS	6	EA	
10	K20911929	BRACKET ICE SHELF R	1	EA	
11	PC080031	SLIDE 12" FULL EXTENSION	6	EA	
12	PD020032	SRW-8(A)X3/8"PH.WFR HD 7/16DIA*NICL	18	EA	
13	B5733302	CLIP-GROUND	2	EA	
14	10270203	HOUSING-LIGHT V10270203	2	EA	
15	G50911176	BRKT SIDE GLIDE MOUNT ASM	2	EA	
16	G50911181	TRIM ASM SIDE AF 36 30	2	EA	
17	G50911195	DRAWER BASKET ASM AF 36	2	EA	
18	G50911189	DRAWER ICE ASM AF 36	1	EA	
19	G50911180	MOUNT IM ASM AF 36	1	EA	
NI	057731-000	ICEMAKER	1	EA	
20	PK930346	COVER LIGHT	2	EA	
21	G50911169	SHELF ICE ASM UPPER AF 36	1	EA	
22	K20911928	BRACKET ICE SHELF L	1	EA	
23	PM910285	LADDER CENTER	1	EA	

# LOWER UNIT ASSEMBLY





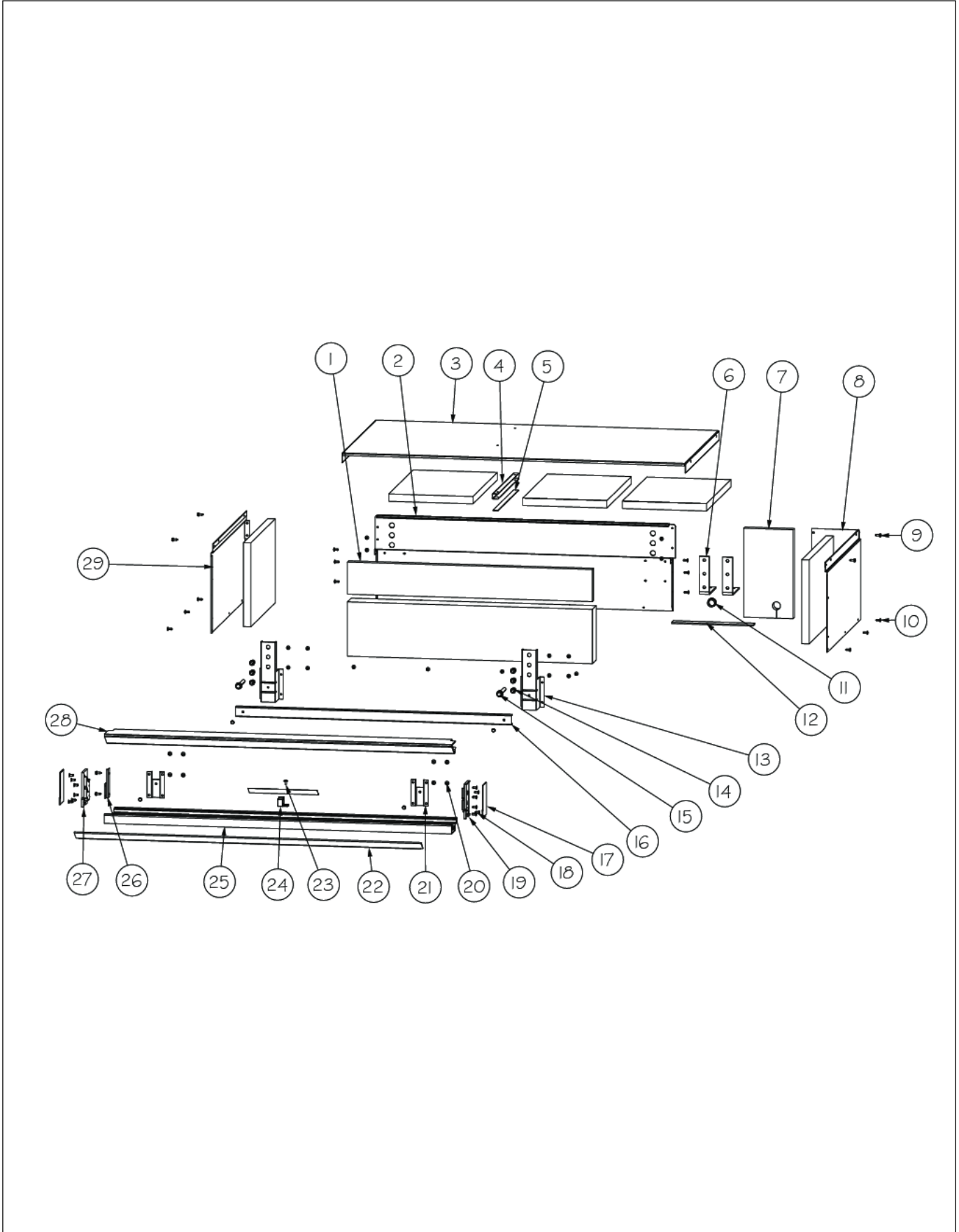
Item	Part No.	Name	Qty	Uom	NOTES
1	PD030146	STAND OFF LOCK CLIP	14	EA	
2	F20915696	SERPENTINE CONDENSER DRAIN	1	EA	
3	PK930348	PAN DRAIN	1	EA	
4	10276601	ELBOW-FILLER TUBE	1	EA	
5	PB020304	PLASTIC TUBING-IM WATERLINE	1	EA	
6	G50911853	TRAY PAN HEATER	1	EA	
7	L20914124	TRAY PAN HEATER	1	EA	Not available online / Call for pricing and availability
8	K20911831	BRACKET CONDENSATE SUPPORT	2	EA	
9	M0104102	CLIP-CORD RED	2	EA	
10	004551-000	AXIAL FAN	1	EA	
Comments for Part Num. 004551-000  gboltz@VikingRange.com on Jul 21, 2016 View service bulletin TR-0052-SP before ordering fan, if applicable order kit instead of fan					
11	PF930654	LABEL CONDENSATE FAN SERVICE	1	EA	
12	A4554806	BUSHING-SNAP VA4554806	2	EA	
13	M0104106	CLIP-CORD VM0104106	6	EA	
14	060890-000	LEVELER MODULE R	1	EA	
15	PD020194	SCREW-SM	20	EA	
16	K2098044	BRKT GRILLE SUPPORT	1	EA	
17	PD020274	SCR SLTD HEX WSHR HD 8X1.250 BT	2	EA	
18	PE050248	FLOAT SWITCH HORIZONTAL	1	EA	
19	M0253916	SCR 8-32 SHXW 3/8 TRI-LOBE	1	EA	
20	B20915627	BRACKET HORIZ FLOAT SWITCH	1	EA	
21	A4554817	BUSHING-SNAP VA4554817	1	EA	
22	M0220417	SCREW-TC	4	EA	
23	G32913789	BRKT & VALVE H20 SNGL ASM	1	EA	
24	K20915952	SHIELD BOTTOM DRAIN	1	EA	



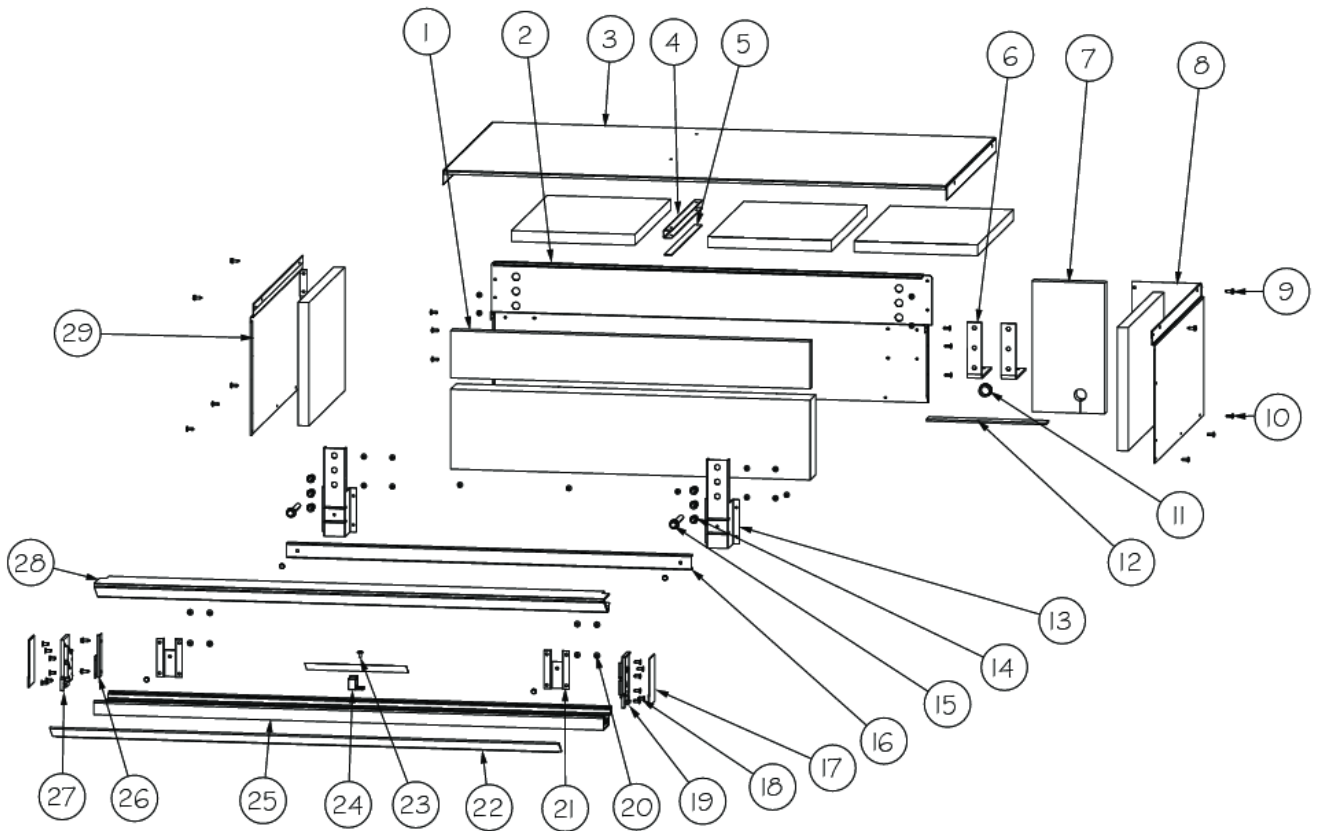


Item	Part No.	Name	Qty	Uom	NOTES
25	000570-000	FASTENER, BOLT, 1/4-20 IHXWS 1" S ZN SER	4	EA	
26	002668-000	SWITCH,GRILLE,MT,LH	1	EA	
27	PE950146	SPDT SWITCH	1	EA	
28	060891-000	LEVELER MODULE L	1	EA	
29	K2098096	BRKT GRILLE SUPPORT	1	EA	
30	PC910015	SPRING EXTENSION	1	EA	
31	M0221523	SCREW - SHLDR	1	EA	
32	PD940107	ROUND SPRING SPACER	1	EA	
33	PD940090	BUSHING - WC DOOR LEVEL	1	EA	
34	PC920144	PLATE - WC DOOR SHIM	1	EA	
35	PD940091	BUSHING - DOOR STOP	1	EA	
36	PC920145	PIN - DOOR STOP	1	EA	
37	PC920149	BAR-WC BOT HINGE LH	1	EA	
38	PC020289	HINGE PLATE LL	1	EA	
39	PC040010	POP RIVET (.063/GR -.125) GAMD42-A	4	EA	
NI	PK930424	VALVE POP UP ASM	1	EA	

MC COVER AND UPPER GRILLE ASSEM



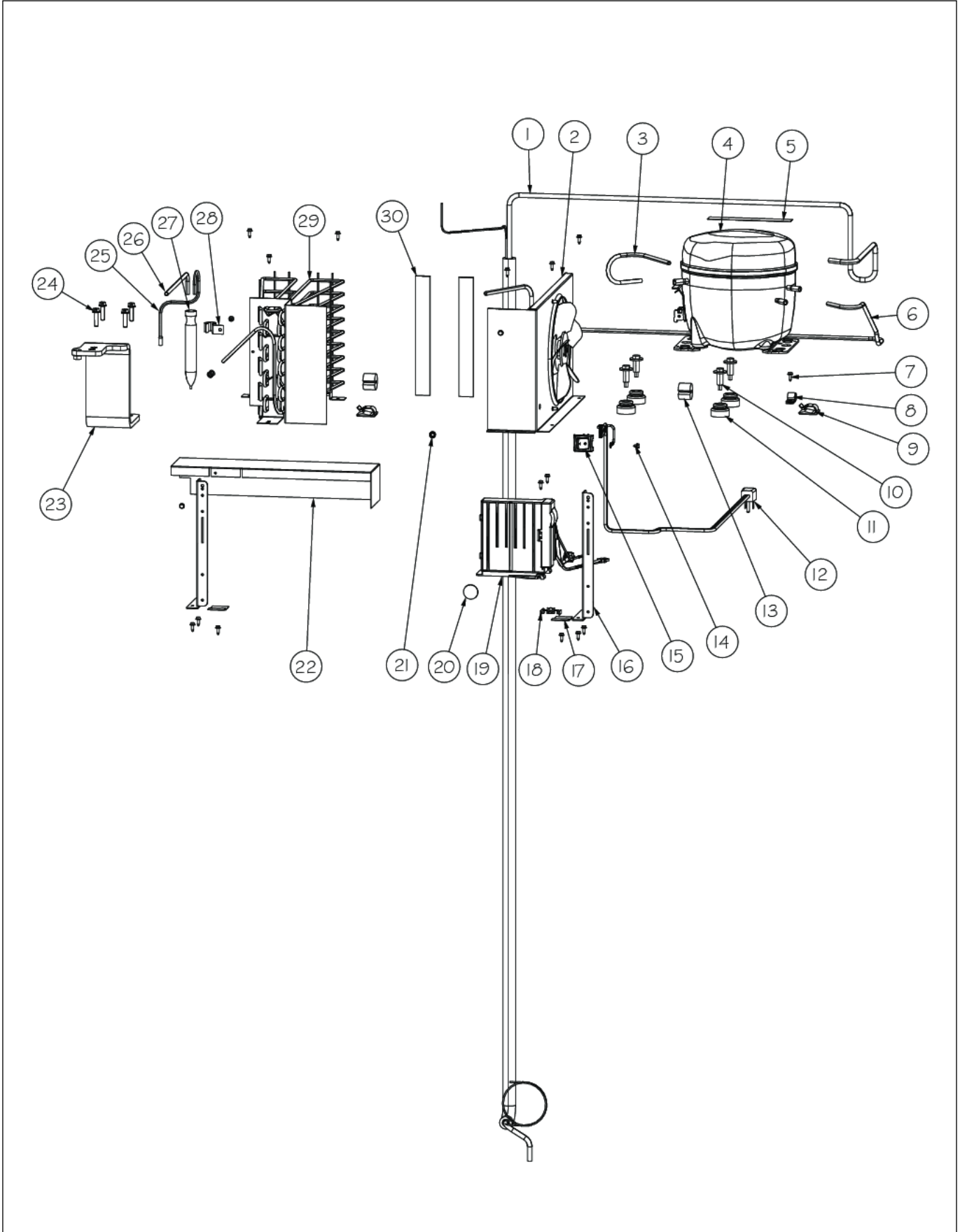
Item	Part No.	Name	Qty	Uom	NOTES
1	PB070358	INSULATION MC COVER	1	EA	
2	K2099933	MC BACK 36	1	EA	
3	K2099931	MC TOP 36	1	EA	
4	K2099455	SUPPORT MC Z	1	EA	
5	G5099929	MC COVER WELD	1	EA	Not available online / Call for pricing and availability
6	PK910089	BRACKET, ANTI - TIP	2	EA	
7	PB970171	MC INSULATION - BACK SIDE	1	EA	Not available online / Call for pricing and availability
8	K2099459	MC SIDE (RIGHT)	1	EA	
9	PD020194	SCREW-SM	10	EA	
10	PC040010	POP RIVET (.063/GR -.125) GAMD42-A	28	EA	
11	A4554806	BUSHING-SNAP VA4554806	1	EA	
12	PF930523	GRILL BLADE LABEL (REFRIGERATOR)	2	EA	
13	K20915675	BRACKET PSM	2	EA	
14	PD040157	BEARING SLEEVE	4	EA	
15	PD020233	SCR LAG 5/16-9 GX 5/16X7/16 WAF IHXW 3 S ZN	2	EA	
16	K20915902	CROSSMEMBER PSM 36	1	EA	
17	PM910071	COVER - END CAP 12119801	2	EA	
18	M0215318	SCREW-SM	12	EA	
19	PM910348	ENP CAP GRILLE R	1	EA	
20	M0224128	SCREW-SM	8	EA	
21	PK050004	BRACKET GRILLE 5 SERIES	2	EA	
22	PM910429	GRILLE LOUVER MID AF AR 36 DES FOL	1	EA	
23	M0230028	SCREW-TC	1	EA	
24	PM910084	SUPPORT GRILLE 12201201	1	EA	
25	PM910419	GRILLE LOUVER LOWER AF AR 36 L DES FOL	1	EA	
26	K2099471	BRACKET GRILLE SUPPORT L	1	EA	
27	PM910349	END CAP GRILLE L	1	EA	





Item	Part No.	Name	Qty	Uom	NOTES
28	PM910418	GRILLE LOUVER UPPER AF AR 36 DES FOL	1	EA	NO LONGER AVAILABLE
29	K2099460	MC SIDE L	1	EA	
NI	014639-000	GRILLE, ASM, 36 AF/AR, DES, RH	1	EA	

SEALED SYSTEM ASSEMBLY







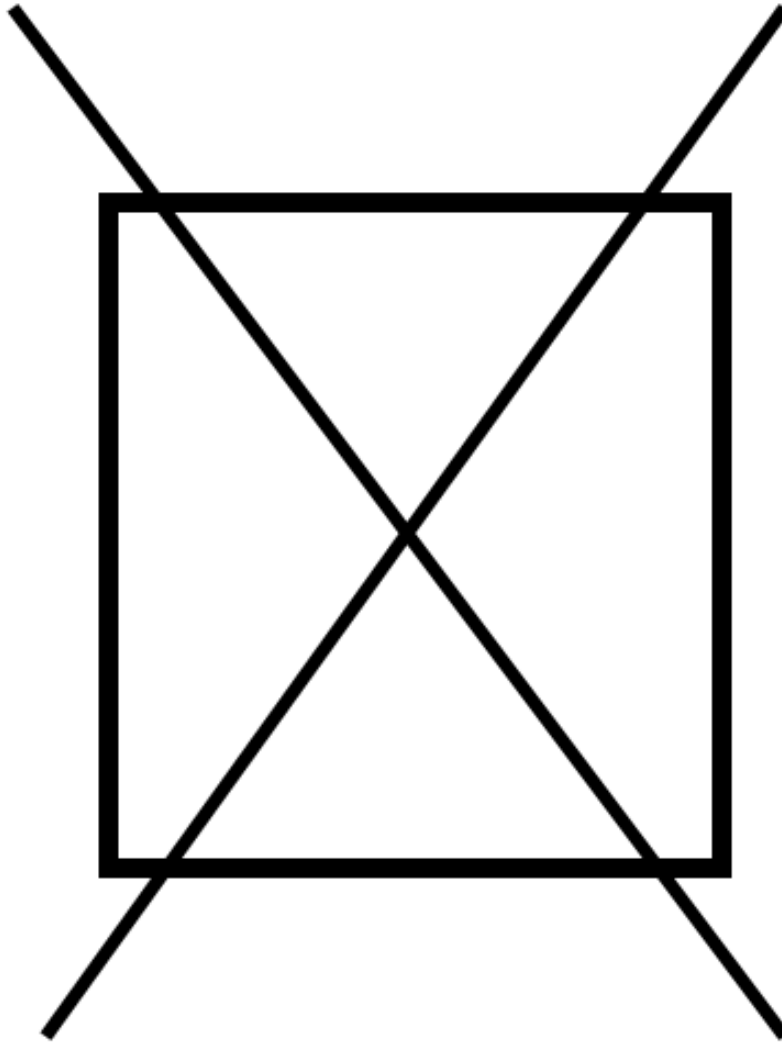
Item	Part No.	Name	Qty	Uom	NOTES
1	F2099937	TUBE FORMED HT EXCH AF 36	1	EA	
2	G5096494	COND. FAN ASSY	1	EA	
3	F2096507	TUBE-PROCESS GRN	1	EA	
4	PM010619	COMPRESSOR VCC AF	1	EA	
5	C8982701	LABEL-COMP WARN	1	EA	
6	F20910729	TUBE DISCHARGE AF AR 30	1	EA	
7	PD020194	SCREW-SM	17	EA	
8	PD030118	INSULATED CLAMP	1	EA	
9	M0104102	CLIP-CORD RED	2	EA	
10	M0221523	SCREW - SHLDR	4	EA	
11	10835901	GROMMET RUBBER V10835901	4	EA	
12	10916507B	CORD-POWER V10916507	1	EA	Not available online / Call for pricing and availability
13	10699601	DAMPER-TUBING .8	2	EA	
14	M0211014	SCREW-SM	1	EA	Not available online / Call for pricing and availability
15	PE950149	SWITCH POWER	1	EA	
16	K20912569	BRACKET GRILLE SUPPORT	2	EA	
17	K2096943	PANEL BRACKET	2	EA	
18	M0327801	TAP-ELECTRO	1	EA	
19	011666-000	INVERTER,CMPR,ASM	1	EA	
Comments for Part Num. 011666-000					
gboltz@VikingRange.com on Aug 9, 2018					
See 2018-01P Parts Bulletin					
20	PF930682	LABEL WARNING INVERTER	1	EA	
21	007407-000	RING,LOK, .187 DIA	2	EA	
22	K20912361	DIVERTER AIR HI SIDE 36	1	EA	Not available online / Call for pricing and availability





Item	Part No.	Name	Qty	Uom	NOTES
23	PC920194	SCREW-SM	1	EA	Not available online / Call for pricing and availability
24	000570-000	FASTENER, BOLT, 1/4-20 IHXWS 1" S ZN SER	4	EA	
25	003325-000	TUBE DRIER COND	1	EA	
26	F2097740	TUBE PROCESS	1	EA	
27	PM010616	DRIER - HIGH SIDE	1	EA	
28	10547001	CLIP-DRIER V10547001	1	EA	
29	PB920171	CONDENSER ASM	1	EA	
30	A3189370	GASKET-FOAM VA3189370	2	EA	

NON  
ILLUSTRATED PART





Item	Part No.	Name	Qty	Uom	NOTES
NI	044042-000	ALL FREEZER FLOAT SWITCH WIRING KIT	1	EA	
Not Shown	NOTE	(FOR UNITS MANUFACTURED BEFORE 1/9/13)		EA	



Appendix A:Pages Index

CONTROL ASSEMBLY ..... 1  
DOOR ASSEMBLY ..... 2  
EVAP COVER AND AIR FLOW ASSY ..... 3  
EXTERIOR ASSEMBLY ..... 4  
INTERIOR ASSEMBLY ..... 5  
LOWER UNIT ASSEMBLY ..... 6  
MC COVER AND UPPER GRILLE ASSEM ..... 7  
SEALED SYSTEM ASSEMBLY ..... 8  
WIRING ..... 9



Appendix B:Parts Index

000570-000	6, 8	10699601	8
002076-000	2	10835901	8
002295-000	2	10916507B	8
002306-000	2, 4	12064001	1
002307-000	2	40370P01	4
002318-000	2	A3030361	1
002668-000	6	A3189370	8
003325-000	8	A4554806	6, 7
003623-000	2	A4554817	1, 6
004528-000	5	B20915627	6
004551-000	6	B5733302	5
005319-000	1	C8982701	8
005447-000	2	C8983701	3
007389-000	2	F20910729	8
007392-000	2	F20915696	6
007407-000	8	F2096507	8
008220-000	2	F2097740	8
008225-000	2	F2099937	8
008399-000	2	G32913789	6
010495-000	1	G50911134	3
011666-000	8	G50911169	5
014639-000	7	G50911176	5
015557-002	4	G50911180	5
015558-002	4	G50911181	5
015559-002	4	G50911182	3
016179-000	2	G50911183	3
020123-000	5	G50911189	5
033785-000	2	G50911195	5
034902-000	2	G50911853	6
034903-000	2	G50912354	3
044042-000	9	G5096494	8
047904-000	4	G5099929	7
047907-000	4	K20910060	1
057731-000	5	K20910061	1
058966-000	3	K20911831	6
060890-000	6	K20911928	5
060891-000	6	K20911929	5
10270203	5	K20912361	8
10276601	6	K20912569	8
10547001	8	K20915000	1
		K20915675	7



K20915902	7	PC020289	6
K20915952	6	PC040010	1, 1, 6, 7
K2096461	3	PC080031	5
K2096943	8	PC910015	6
K2098044	6	PC920144	6
K2098096	6	PC920145	6
K2098345	4	PC920149	6
K2098654	1	PC920194	8
K2099402	1	PD020010	4
K2099455	7	PD020013	1
K2099459	7	PD020032	5
K2099460	7	PD020194	1, 3, 5, 6, 7, 8
K2099471	7	PD020233	7
K2099931	7	PD020274	6
K2099933	7	PD030118	8
L20910705	5	PD030146	6
L20911338	3	PD040157	7
L20911339	3	PD920174	2
L20914124	6	PD940090	6
M0104102	3, 6, 8	PD940091	6
M0104106	1, 6	PD940107	6
M0210443	4	PD950013	5
M0211014	3, 8	PE050248	6
M0215318	2, 4, 7	PE070728	1
M0220417	6	PE070785	1
M0221523	6, 8	PE940213	1
M0224128	1, 7	PE950125	5
M0230028	7	PE950146	6
M0238535	5	PE950149	8
M0238846	1	PE970464	1
M0253916	6	PE970609	1
M0288120	1	PF930523	7
M0327801	8	PF930654	6
M0585504	1	PF930672	1
M0585506	1	PF930682	8
PB020304	6	PJ910037	3
PB070358	7	PK050004	7
PB920171	8	PK910089	7
PB970171	7	PK920066	4
PC020285	2	PK930346	5
PC020287	2	PK930348	6





PK930424 .....	6
PM010616 .....	8
PM010619 .....	8
PM910071 .....	7
PM910084 .....	7
PM910282 .....	5
PM910285 .....	5
PM910325 .....	1
PM910348 .....	7
PM910349 .....	7
PM910411 .....	5
PM910418 .....	7
PM910419 .....	7
PM910429 .....	7
PM910454 .....	3
PM910468 .....	3
PM910477 .....	3