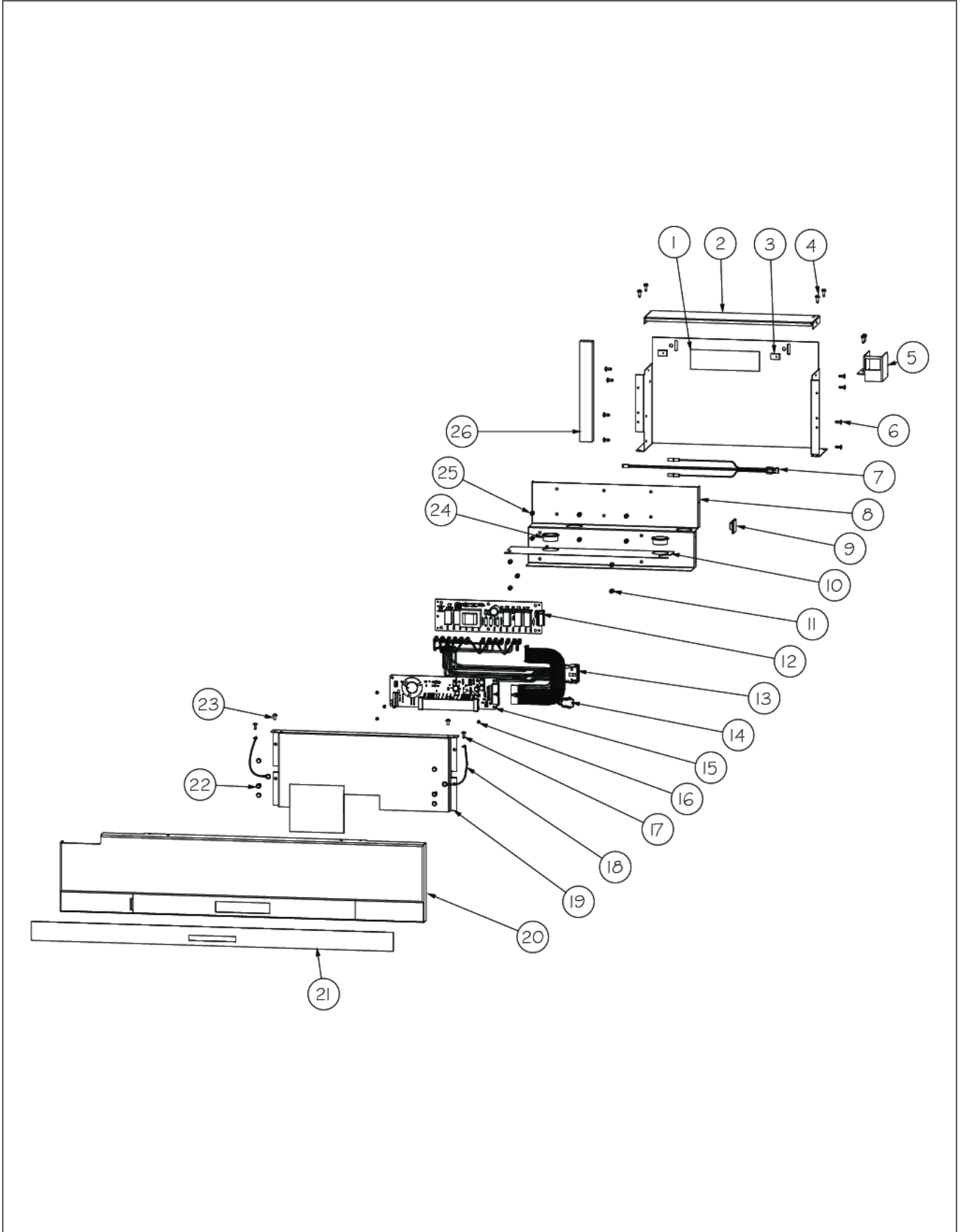


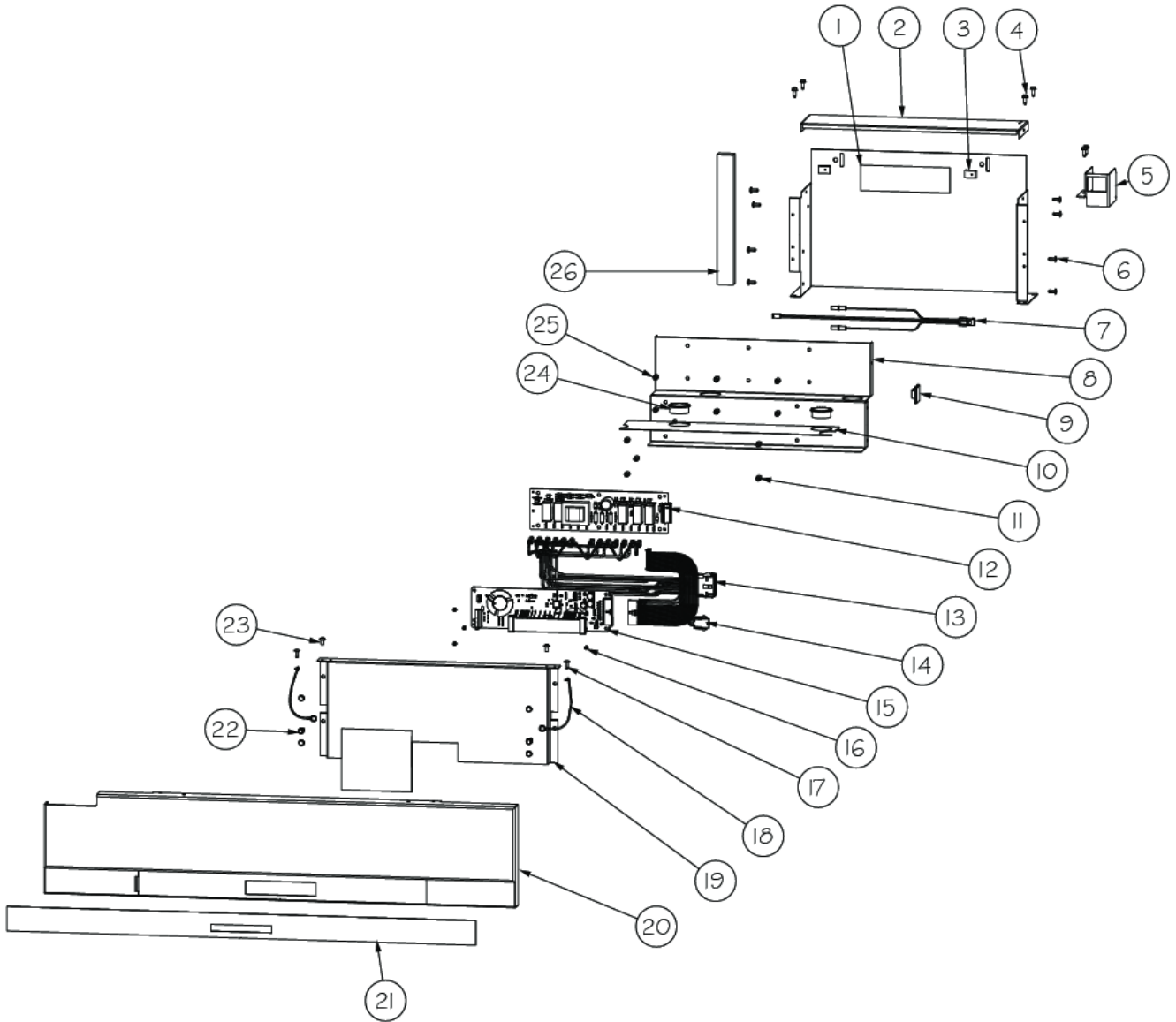
DFFB530

CONTROL ASSEMBLY	1
DOOR ASSEMBLY	2
EVAP COVER AND AIR FLOW ASSY	3
EXTERIOR ASSEMBLY	4
INTERIOR ASSEMBLY	5
LOWER UNIT ASSEMBLY	6
MC COVER AND UPPER GRILLE ASSEM	7
SEALED SYSTEM ASSEMBLY	8
WIRING	9
Appendix A:Pages Index	A
Appendix B:Parts Index	B

CONTROL ASSEMBLY



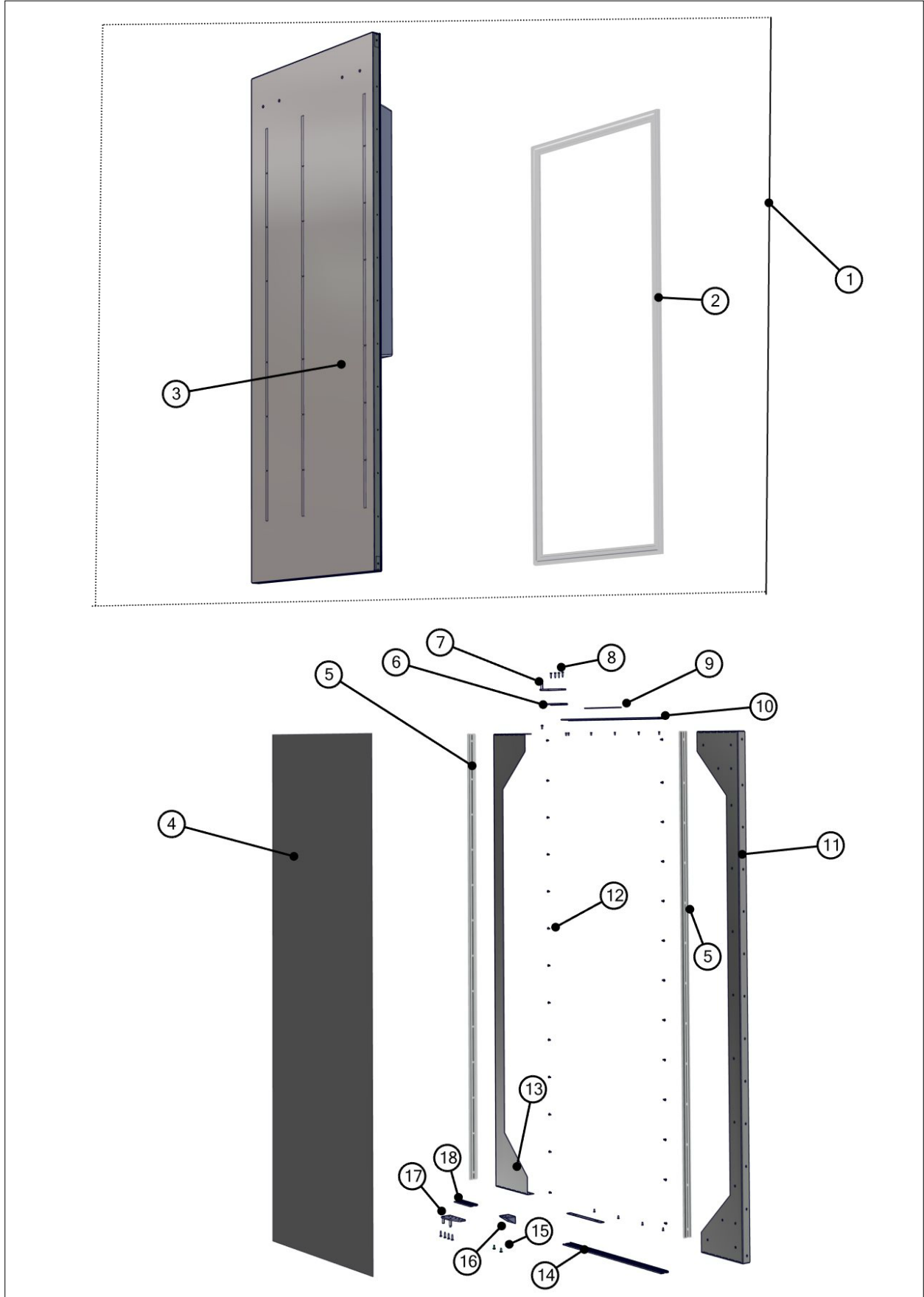
Item	Part No.	Name	Qty	Uom	NOTES
1	PF930487	TECH LITERATURE LABEL - 2	2	EA	
2	K20915000	CONTROL BOX TOP	1	EA	
3	M0288120	NUT-SPEED VM0288120	2	EA	
4	PD020194	SCREW-SM	10	EA	
5	K2098654	Bracket, Power Switch	1	EA	
6	PC040010	POP RIVET (.063/GR -.125) GAMD42-A	8	EA	
7	PE970609	HARNESS CONTROL BOARD 5 SERIES	1	EA	
8	K20910060	BRACKET - PC	1	EA	
9	M0104106	CLIP-CORD VM0104106	1	EA	
10	005396-000	FILM,PROTECTIVE	1	EA	
11	M0585506	SUPPORT	5	EA	
12	005319-000	POWER CONTROL BOARD ASM 5 SERIES	1	EA	
Comments for Part Num. 005319-000 boltz on Apr 12, 2018 See TR-0056-SP Bulletin					
13	PE070785	Harness, High Voltage Board	1	EA	
14	PE970464	HARNESS LOW VOLT 5 SERIES	1	EA	
15	PE070728	BOARD LOW VOLTAGE	1	EA	
Comments for Part Num. PE070728 bradleysapplianceservice@shaw.ca on Apr 27, 2016 COULD ALSO USE: 002670-000 LOW VOLTAGE BOARD KIT ANALOG - INCLUDES WIRE HARNESS					
16	PD020013	TYPE "AB" #6 X 3/8 PH PAN HD. SMS	5	EA	
17	PC040010	POP RIVET (.063/GR -.125) GAMD42-A	2	EA	
18	12064001	SUPP-CONT PANEL	2	EA	
19	K20910061	CONTROL BOX FRONT	1	EA	
20	016434-000	PANEL CONTROL AF/AR 30 L	1	EA	
21	010500-000	OVERLAY SWITCH AF 30	1	EA	
22	M0238846	SCREW-SHLDR	1	EA	
23	M0224128	SCREW-SM	2	EA	





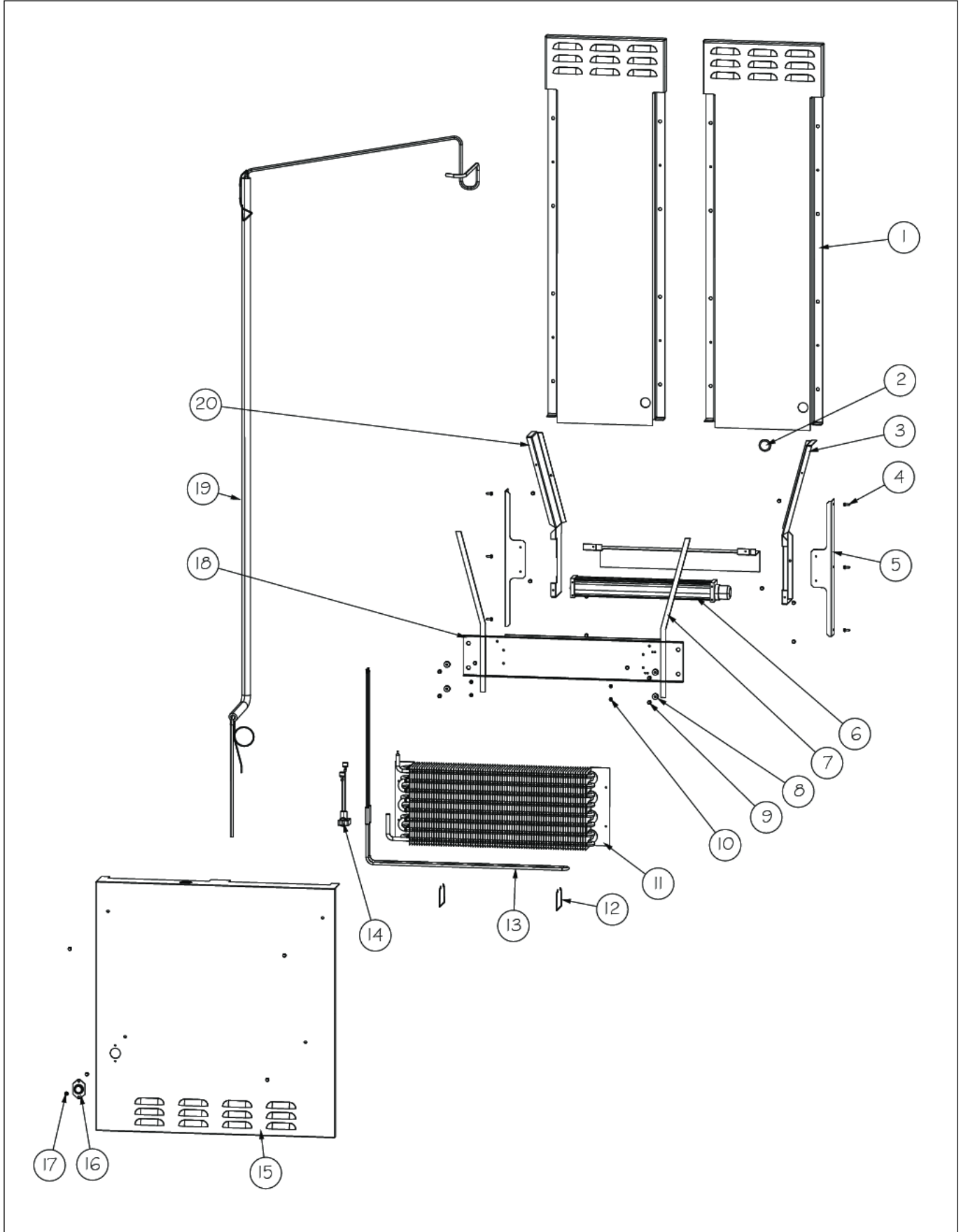
Item	Part No.	Name	Qty	Uom	NOTES
24	A4554817	BUSHING-SNAP VA4554817	2	EA	
25	M0585504	SUPPORT	6	EA	
26	A3030361	GASKET RED	1	EA	

DOOR ASSEMBLY



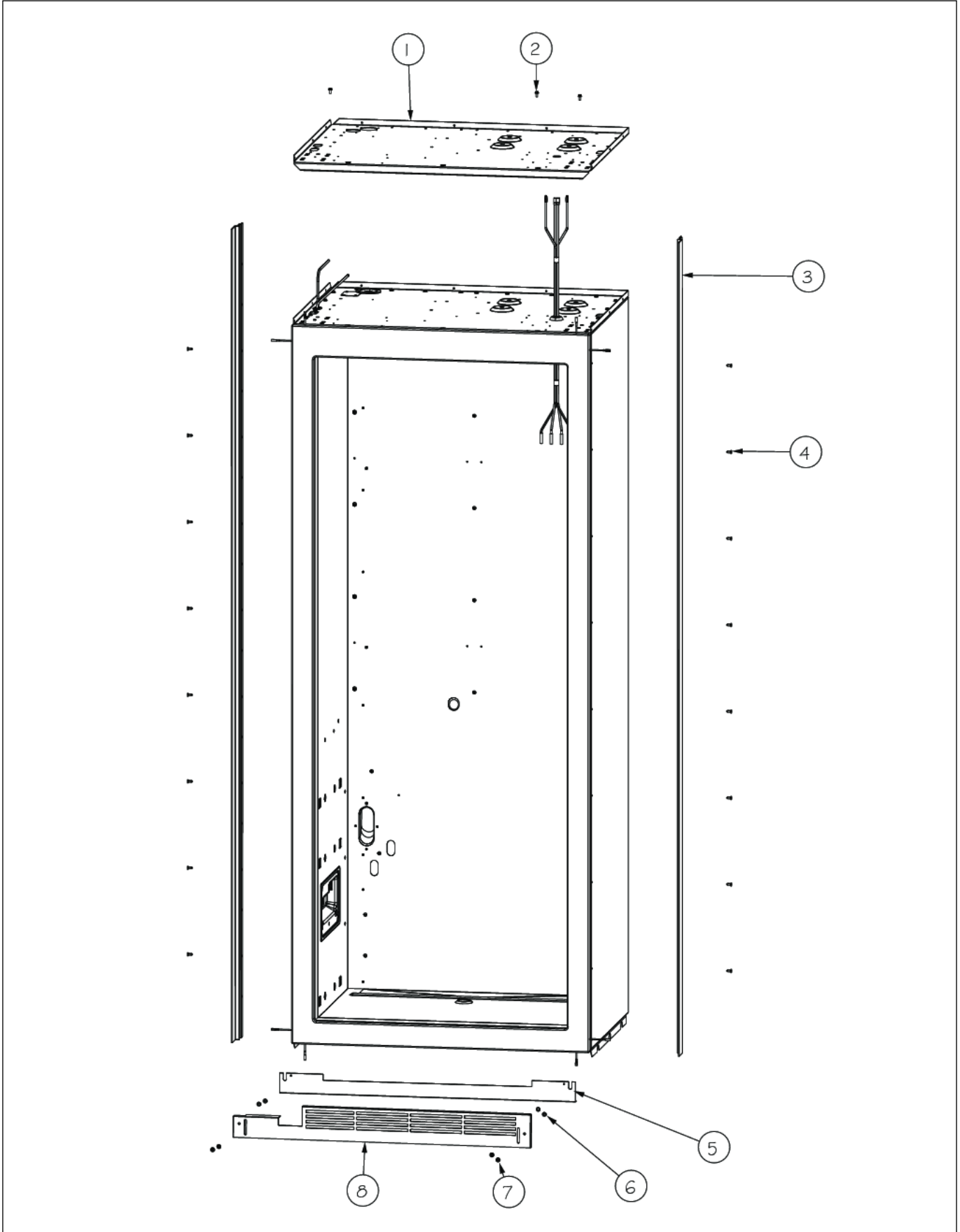
Item	Part No.	Name	Qty	Uom	NOTES
1	007458-000	DOOR, ASM AF 30	1	EA	Not available online / Call for pricing and availability
2	005448-000	GASKET,ASM,30,AFAR VID# 602711327-17	1	EA	
3	007450-000	DOOR FOAM ASM AF 30	1	EA	
4	003621-000	SHEET,FOAM,30 AF/AR, 48 FF	1	EA	
5	000953-000	EXTRUSION,FOL,SIDE	2	EA	
6	034903-000	EXTRUSION, FOL, PIVOT PLATE SPACER, LEFT	1	EA	
7	031379-000	PIVOT PLATE ASM LH UP FOL SXS, AFAR	1	EA	
7	033785-000	PIVOT PLATE ASM RH UP FOL SXS, AFAR	1	EA	
8	PD920174	10X7/8 PHILLIPS SMA TRI LOBE SA	8	EA	
9	008399-000	SPACER,36,30,48FF,FOL	2	EA	
10	003036-000	EXTRUSION,FOL, TOP,30 AF/AR,LEFT	1	EA	
11	000950-000	BRACKET,PNL,FULL OVERLAY	1	EA	
12	M0215318	SCREW-SM	35	EA	
13	007377-000	BRACKET,SIDE,HINGE,FULL OVERLAY	1	EA	
14	003032-000	EXTRUSION,FOL, TOP,30 AF/AR,RIGHT	1	EA	
14	002318-000	EXTRUSION,FOL, TOP,36" LEFT	1	EA	
15	M0210458	Screw, SM	2	EA	
16	PD050019	STRIKER DOOR SWITCH	1	EA	
17	016180-000	PIVOT PL ASM LH LW FOL	1	EA	
17	016179-000	PIVOT PL ASM RH LW FOL	1	EA	
18	034902-000	EXTRUSION, FOL, PIVOT PLATE SPACER, RIGHT	1	EA	
NI	036880-000	DOORBIN ASM AF 30	3	EA	

EVAP COVER AND AIR FLOW ASSY



Item	Part No.	Name	Qty	Uom	NOTES
1	L2099055	EVAP COVER UPPER AF 30	2	EA	Not available online / Call for pricing and availability
2	PM910477	PLUG HOLE PLASTIC 1.00 DIA.	1	EA	
3	K20912598	DIVERTER AIR AF 30 R	1	EA	
4	M0238616	SCREW, SMALL	19	EA	
5	K20912558	BRACKET EVAP COVER	2	EA	
6	PE950154	FAN EVAP HORIZ AF AR 30 (See TR-0063-SP Fan Bulletin)	1	EA	See TR-0063-SP Fan Bulletin
Comments for Part Num. PE950154 gboltz@VikingRange.com on Apr 18, 2019 See TR-0063-SP Fan Bulletin					
NI	PE970641	JUMPER FAN RESISTOR	1	EA	
7	G50911915	COVER EVAP & AIR HANDLING ASM AF 30	1	EA	Not available online / Call for pricing and availability
8	12234001	GROMMET-VIBRATION	4	EA	
9	M0238859	SCREW-SHLDR	4	EA	
10	M0218115	SCR6-20 BT HXWS 3/8 S	4	EA	Not available online / Call for pricing and availability
11	PM910456	EVAPORATOR AF 30	1	EA	
12	PM910468	CLIP EVAP HTR 36 30 AF	2	EA	
13	PJ910038	DEFROST HEATER AF 30	1	EA	
14	058966-000	THERMOSTAT, SNAP ACTION, 55 OPEN 20 CLOSE	1	EA	
15	L20911932	COVER EVAP LOWER AF 30	1	EA	Not available online / Call for pricing and availability
16	C8983701	THERMISTOR	1	EA	
17	PD020010	10 X 3/8 GREEN GROUNDING SCREW	1	EA	
18	K20912559	BRKT FAN EVAP AF 30	1	EA	
19	F20911307	TUBE FORMED HT EXCH AF 30	1	EA	
20	K20912597	DIVERTER AIR AF 30 L	1	EA	

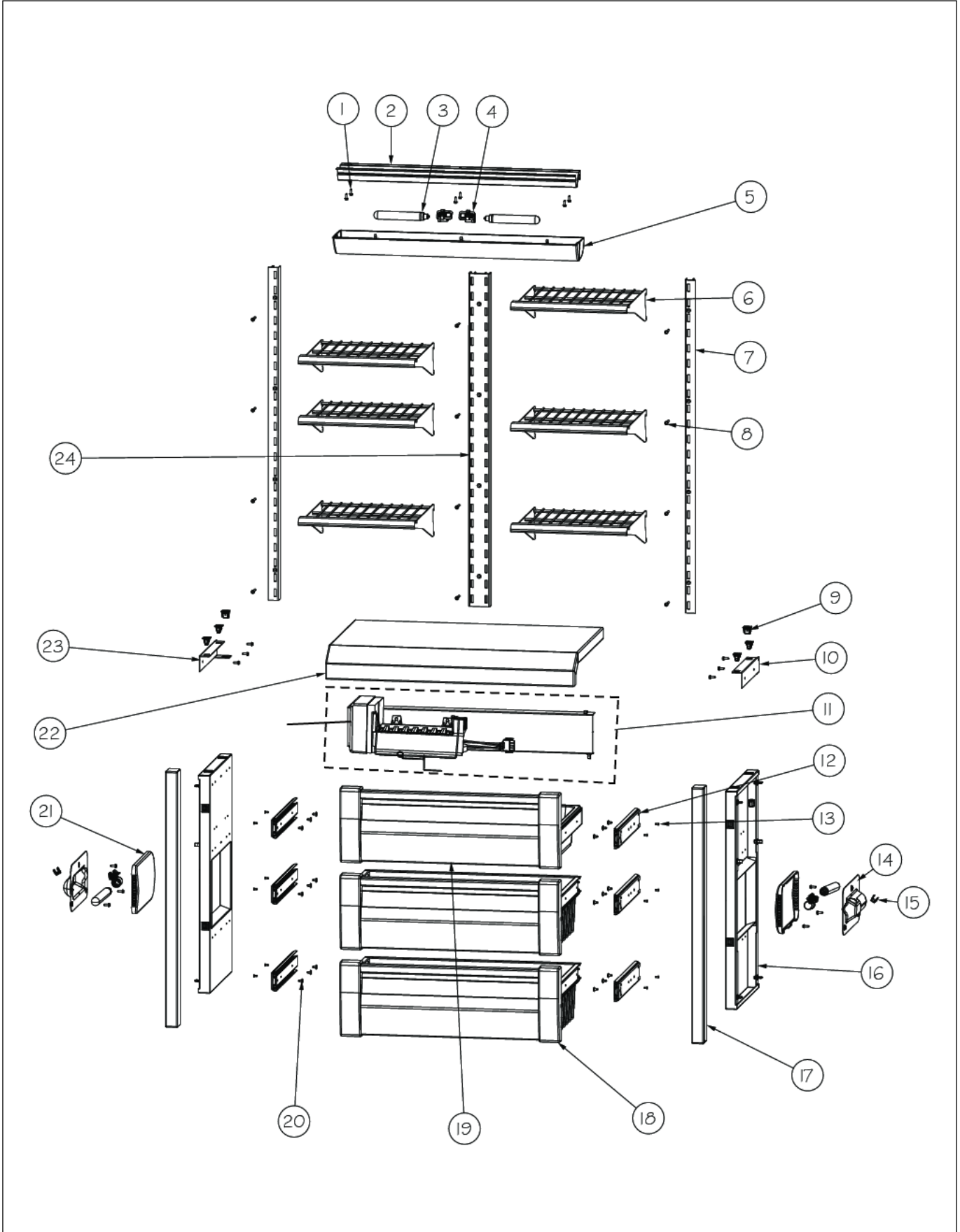
EXTERIOR ASSEMBLY





Item	Part No.	Name	Qty	Uom	NOTES
1	K2099037	OC TOP AF AR 30	1	EA	Not available online / Call for pricing and availability
2	PD020010	10 X 3/8 GREEN GROUNDING SCREW	3	EA	
3	PK920066	TRIM, EXTRU, SIDE DES	2	EA	
4	M0215318	SCREW-SM	16	EA	
5	000206-002	KICKPLATE, LWR	1	EA	
6	40370P01	NYLON FLAT WASHER V40370P01	4	EA	
7	M0210443	SCREW-E SM VM0210443	4	EA	
8	046999-000	VENT, TOE, GRILLE, 30 AF, AR, L	1	EA	
8	016207-000	GRILLE LOUVER LOWER AF AR 30 R DES FOL	1	EA	

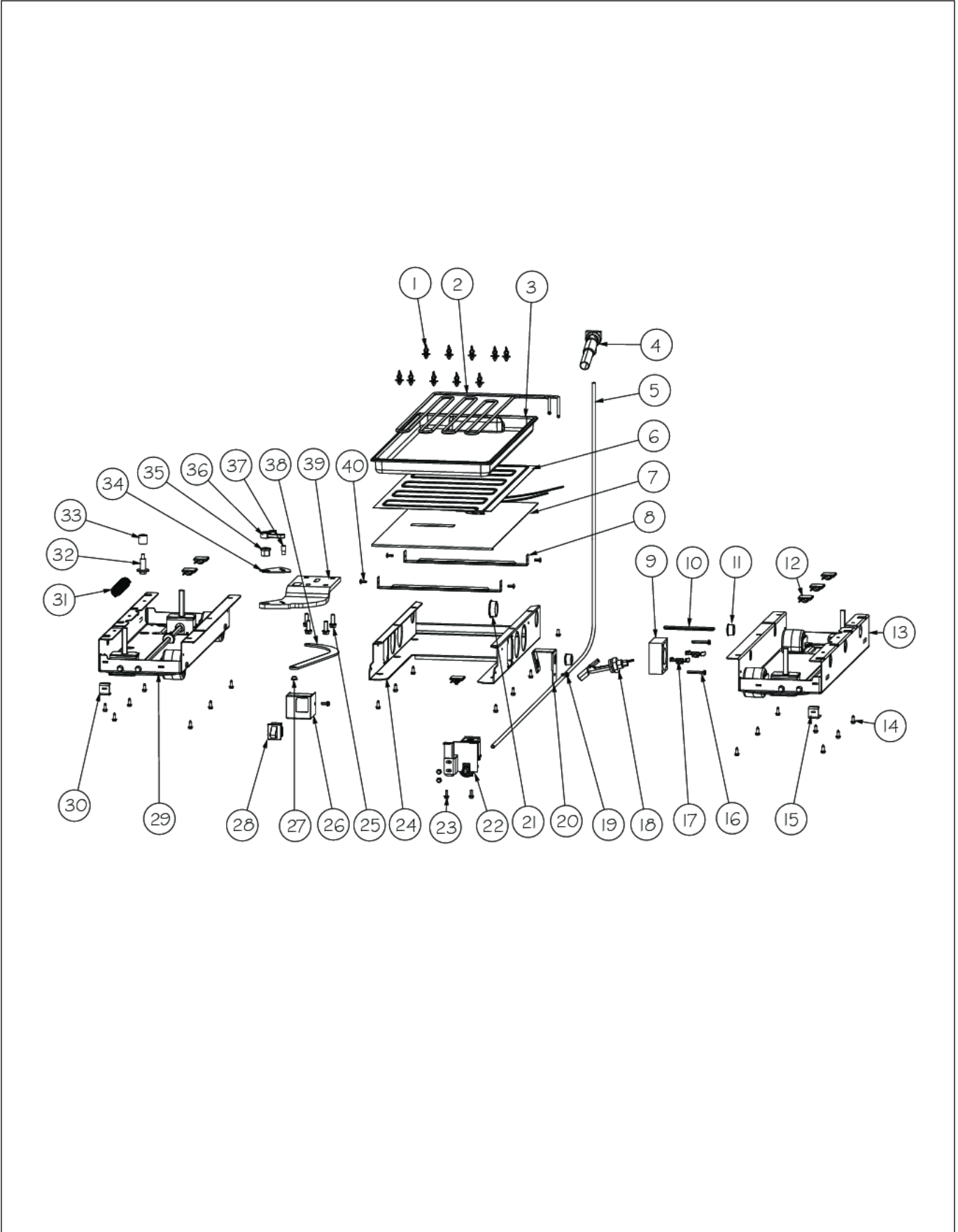
INTERIOR ASSEMBLY





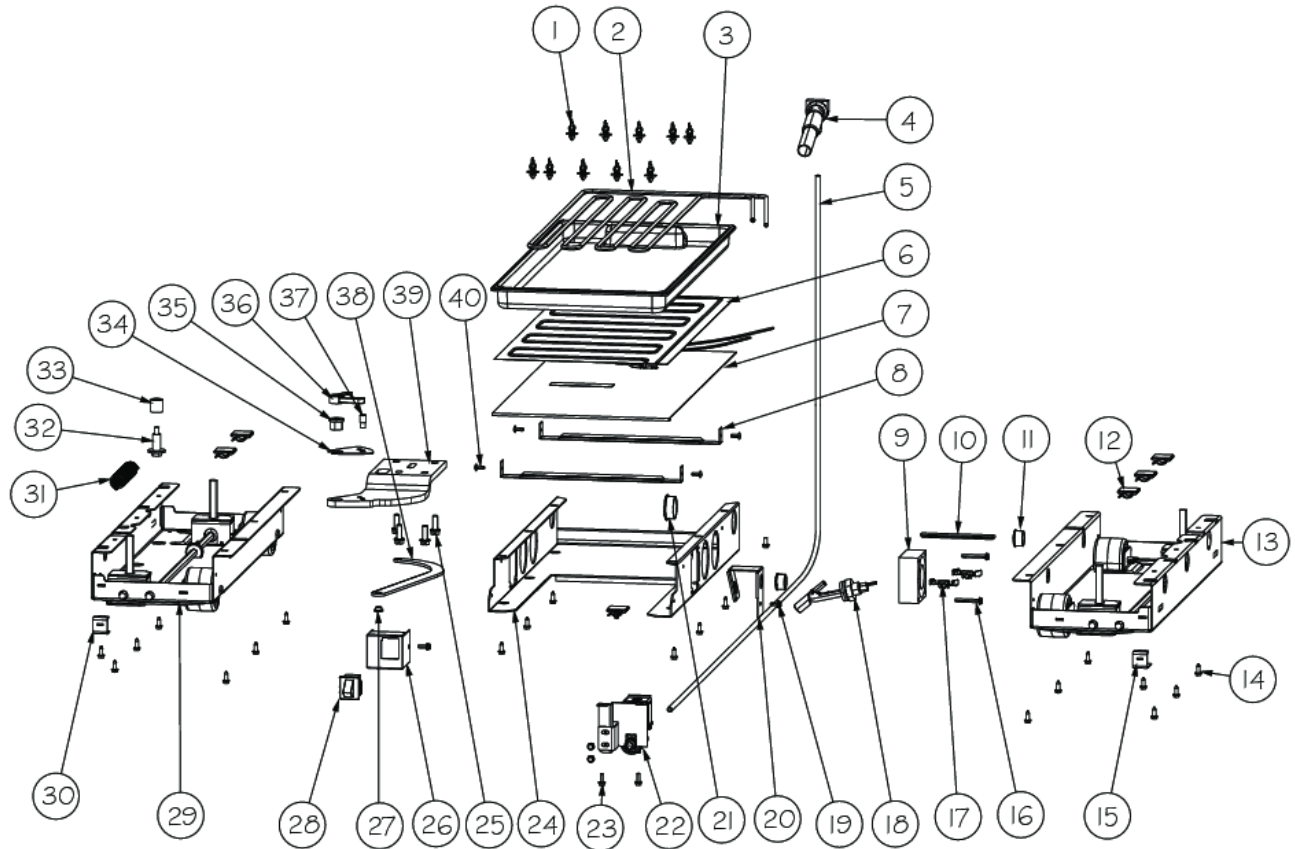
Item	Part No.	Name	Qty	Uom	NOTES
1	M0238616	SCREW, SMALL	18	EA	
2	L2099492	BRACKET LIGHT SXS 48 FF	1	EA	
3	004528-000	LAMP, 40 WATT CLEAR LIGHT	4	EA	
4	PE950125	LIGHT SOCKET	4	EA	
5	020114-000	COVER LIGHT ASM AF/AR 30 SXS 48 FF	1	EA	
6	PM910405	SHELF WIRE AF 30	6	EA	
7	PM910282	LADDER SIDE	2	EA	
8	M0238535	SCREW-SM	12	EA	
9	PD950013	LATCH PANEL ACCESS	6	EA	
10	K20911929	BRACKET ICE SHELF R	1	EA	
11	G50911312	MOUNT IM ASM AF 30	1	EA	
12	PC080031	SLIDE 12" FULL EXTENSION	6	EA	
13	A4539601	DAMPER-TUBING .8	12	EA	Not available online / Call for pricing and availability
14	10270203	HOUSING-LIGHT V10270203	2	EA	
15	B5733302	CLIP-GROUND	2	EA	
16	G50911176	BRKT SIDE GLIDE MOUNT ASM	2	EA	
17	G50911181	TRIM ASM SIDE AF 36 30	2	EA	
18	G50911315	DRAWER BASKET ASM AF 30	2	EA	
19	G50911316	DRAWER ICE ASM AF 30	1	EA	
20	PD020258	SCREW, SM	9	EA	Not available online / Call for pricing and availability
21	PK930346	COVER LIGHT	2	EA	
22	G50911931	SHELF ICE ASM UPPER AF 30	1	EA	
23	K20911928	BRACKET ICE SHELF L	1	EA	
24	PM910285	LADDER CENTER	1	EA	
25	002252-000	ICE MAKER	1	EA	

LOWER UNIT ASSEMBLY





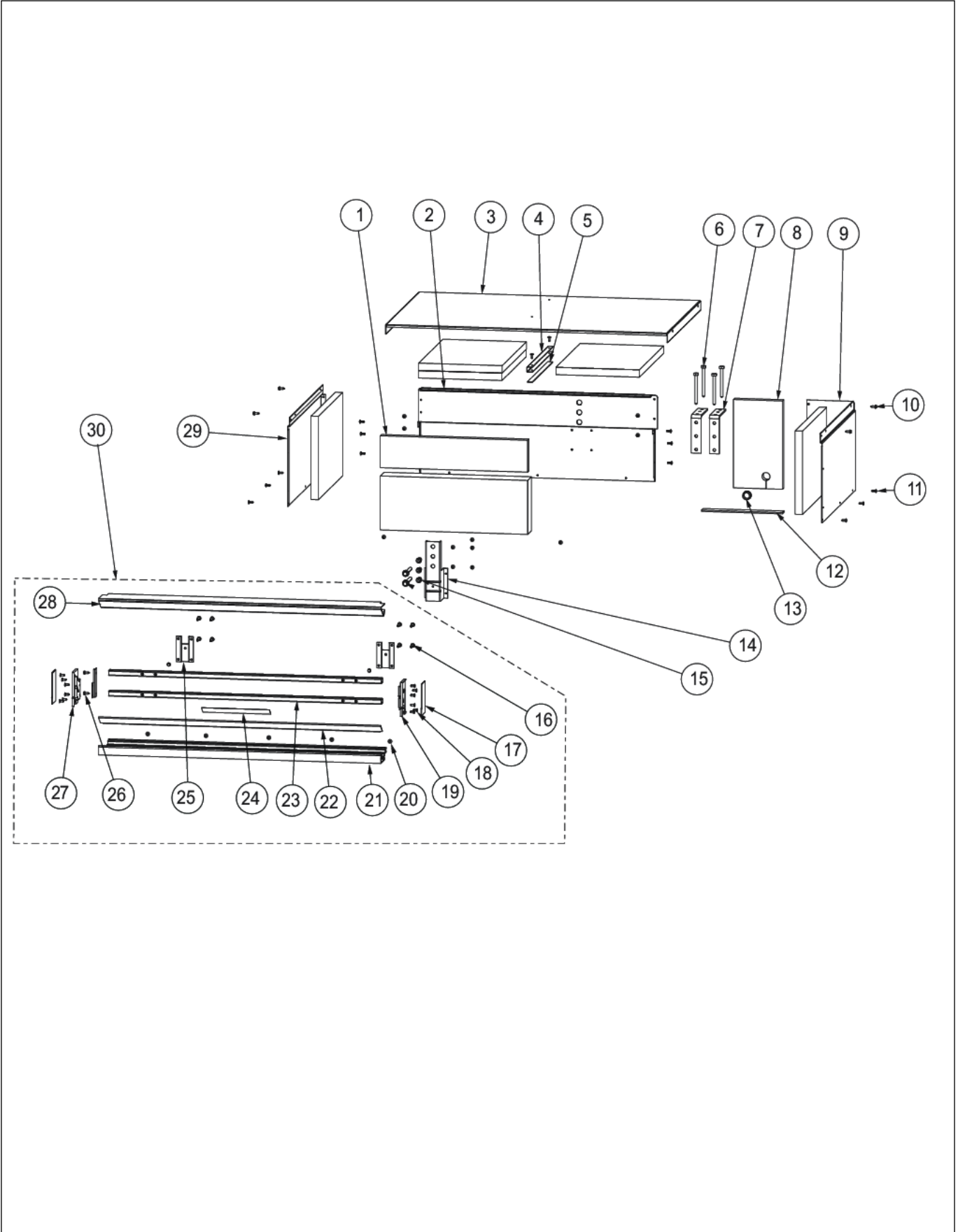
Item	Part No.	Name	Qty	Uom	NOTES
1	PD030146	STAND OFF LOCK CLIP	10	EA	
2	F2099927	SERPENTINE AF AR 30	1	EA	
3	PK930347	PAN-DRAIN AF AR 30	1	EA	
4	10276601	ELBOW-FILLER TUBE	1	EA	
5	PB020304	PLASTIC TUBING-IM WATERLINE	1	EA	
6	PE070823	PAN HEATER AFAR 30	1	EA	
7	L20915602WH	TRAY PAN HEATER AF/AR 30	1	EA	
8	K20911832	BRACKET CONDENSATE SUPPORT	2	EA	
9	004551-000	AXIAL FAN	1	EA	
Comments for Part Num. 004551-000					
gboltz@VikingRange.com on Jul 21, 2016					
View service bulletin TR-0052-SP before ordering fan, if applicable order kit instead of fan					
10	PF930654	LABEL CONDENSATE FAN SERVICE	1	EA	
11	A4554806	BUSHING-SNAP VA4554806	2	EA	
12	M0104106	CLIP-CORD VM0104106	6	EA	
13	060890-000	LEVELER MODULE R	1	EA	
14	PD020194	SCREW-SM	20	EA	
15	K2098044	BRKT GRILLE SUPPORT	1	EA	
16	PD020274	SCR SLTD HEX WSHR HD 8X1.250 BT	1	EA	
17	M0327801	TAP-ELECTRO	2	EA	
18	PE050248	FLOAT SWITCH HORIZONTAL	1	EA	
19	M0253916	SCR 8-32 SHXW 3/8 TRI-LOBE	1	EA	
20	B20915627	BRACKET HORIZ FLOAT SWITCH	1	EA	
21	A4554817	BUSHING-SNAP VA4554817	1	EA	
22	G32913789	BRKT & VALVE H2O SNGL ASM	1	EA	
23	M0220417	SCREW-TC	5	EA	
24	K20915953	SHIELD BOTTOM DRAIN	1	EA	
25	000570-000	FASTENER, BOLT, 1/4-20 IHXWS 1" S ZN SER	4	EA	
26	014334-000	BRACKET,LT,SWITCH	1	EA	



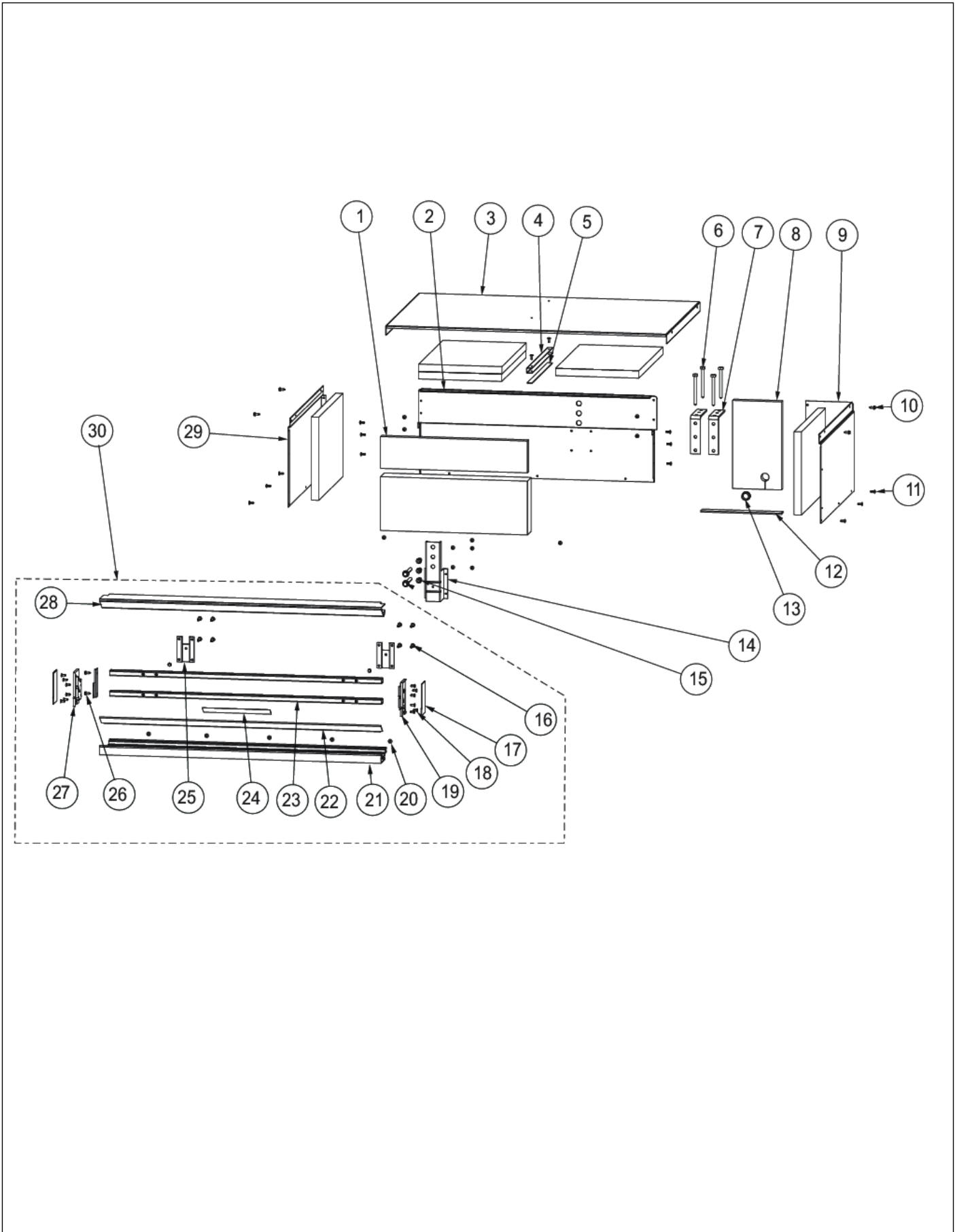


Item	Part No.	Name	Qty	Uom	NOTES
27	PD940094	BUSHING	1	EA	
28	PE950146	SPDT SWITCH	1	EA	
29	060891-000	LEVELER MODULE L	1	EA	
30	K2098096	BRKT GRILLE SUPPORT	1	EA	
31	PC910015	SPRING EXTENSION	1	EA	
32	M0221523	SCREW - SHLDR	1	EA	
33	PD940107	ROUND SPRING SPACER	1	EA	
34	PC920144	PLATE - WC DOOR SHIM	1	EA	
35	PD940090	BUSHING - WC DOOR LEVEL	1	EA	
36	PD940091	BUSHING - DOOR STOP	1	EA	
37	PC920145	PIN - DOOR STOP	1	EA	
38	PC920149	BAR-WC BOT HINGE LH	1	EA	
39	PC020289	HINGE PLATE LL	1	EA	
40	PC040010	POP RIVET (.063/GR -.125) GAMD42-A	4	EA	
NI	PK930424	VALVE POP UP ASM	1	EA	

MC COVER AND UPPER GRILLE ASSEM



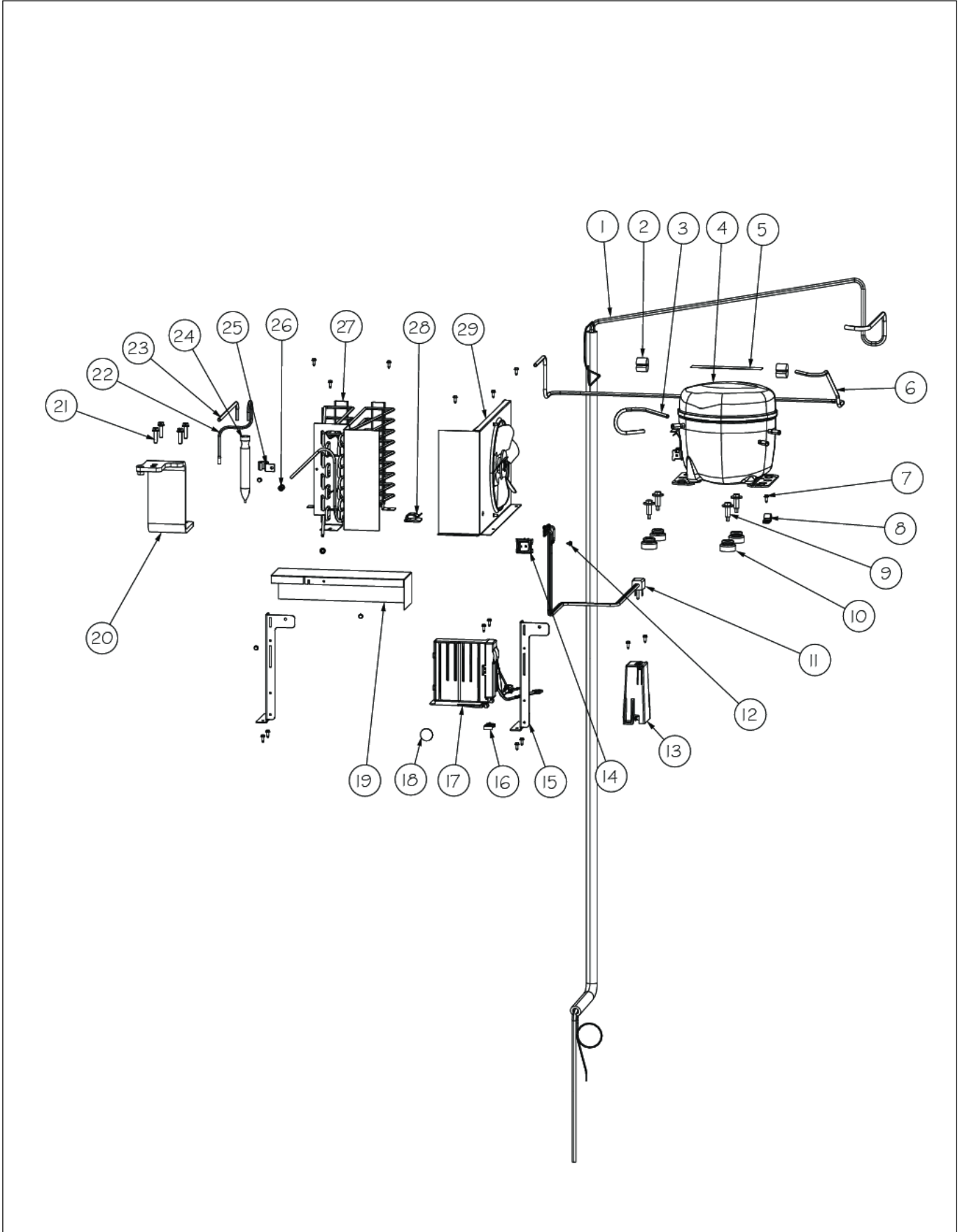
Item	Part No.	Name	Qty	Uom	NOTES
1	PB070356	INSULATION MC COVER	1	EA	
2	K2099932	MC BACK 30	1	EA	
3	K2099930	MC TOP 30	1	EA	
4	K2099455	SUPPORT MC Z	1	EA	
5	G5099928	MC COVER COMPLETE ASM 30	1	EA	
6	M0223509	SCREW-LAG	4	EA	
7	PK910089	BRACKET, ANTI - TIP	2	EA	
8	PB970171	MC INSULATION - BACK SIDE	1	EA	Not available online / Call for pricing and availability
9	K2099459	MC SIDE (RIGHT)	1	EA	
10	PD020194	SCREW-SM	30	EA	
11	PC040010	POP RIVET (.063/GR -.125) GAMD42-A	25	EA	
12	A3189370	GASKET-FOAM VA3189370	1	EA	
13	A4554806	BUSHING-SNAP VA4554806	1	EA	
14	K20915675	BRACKET PSM	1	EA	
15	PD040157	BEARING SLEEVE	3	EA	
16	M0213147	SCREW-SM	8	EA	
17	PM910072	COVER - END CAP	2	EA	
18	M0215318	SCREW-SM	12	EA	
19	PM910348	ENP CAP GRILLE R	1	EA	
20	M0224128	SCREW-SM	1	EA	
21	PM910408	GRILLE LOUVER LOWER AF AR 30 L DES FOL	1	EA	NO LONGER AVAILABLE
22	PM910407	GRILLE LOUVER MID AF AR 30 DES FOL	1	EA	
23	PM910504	GRILLE SPACER 30 FOL	2	EA	NO LONGER AVAILABLE, Not available online / Call for pricing and availability
24	PF930523	GRILL BLADE LABEL (REFRIGERATOR)	1	EA	
25	PK050004	BRACKET GRILLE 5 SERIES	2	EA	
26	K2099471	BRACKET GRILLE SUPPORT L	1	EA	
27	PM910349	END CAP GRILLE L	1	EA	





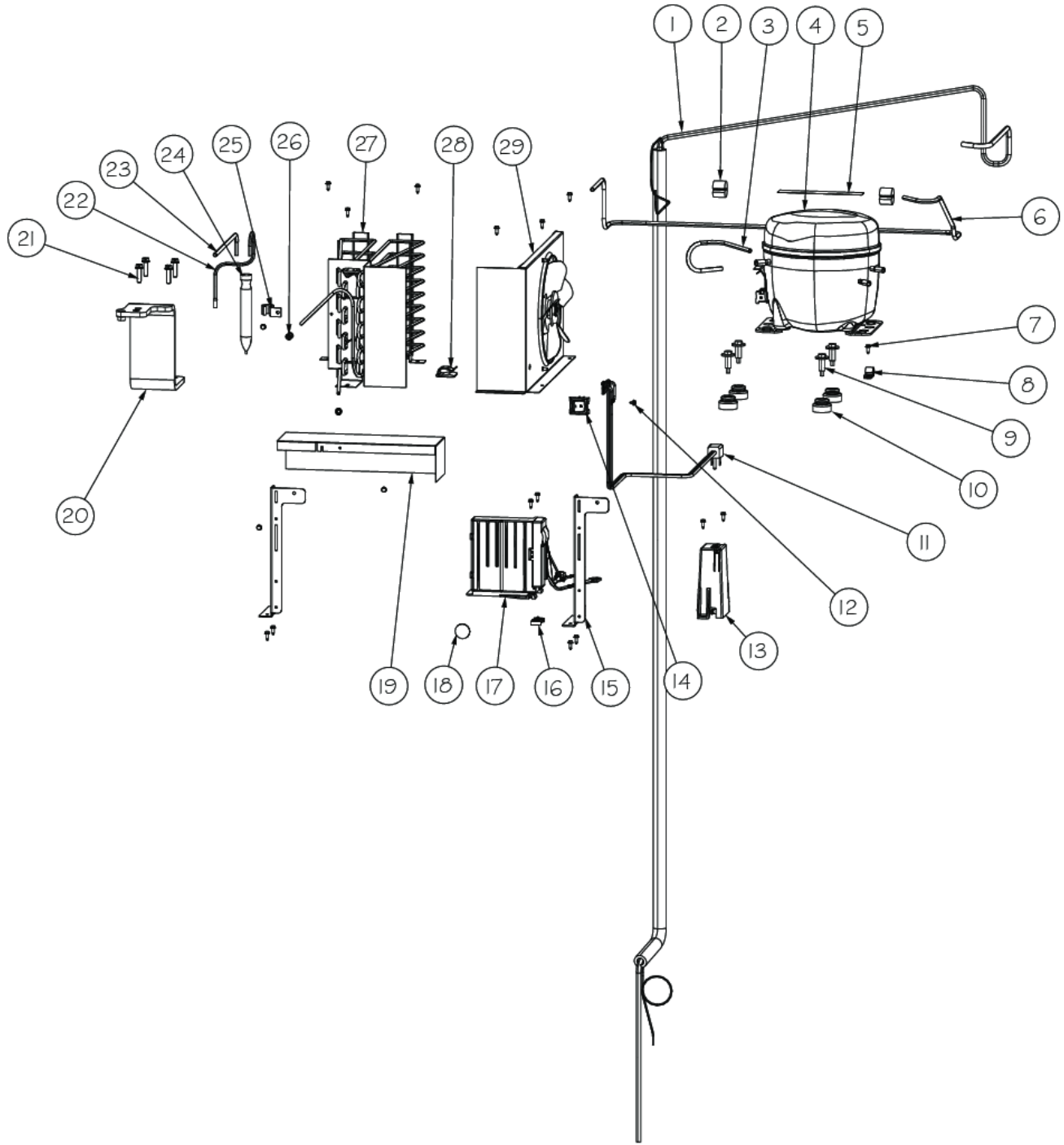
Item	Part No.	Name	Qty	Uom	NOTES
28	PM910406	GRILLE LOUVER UPPER AF AR 30 DES FOL	1	EA	
29	K2099460	MC SIDE L	1	EA	
30	019590-000	GRILLE ASM, 30 AF/AR FOL LH	1	EA	
30	019606-000	GRILLE ASM, 30 AF/AR, FOL RH	1	EA	

SEALED SYSTEM ASSEMBLY





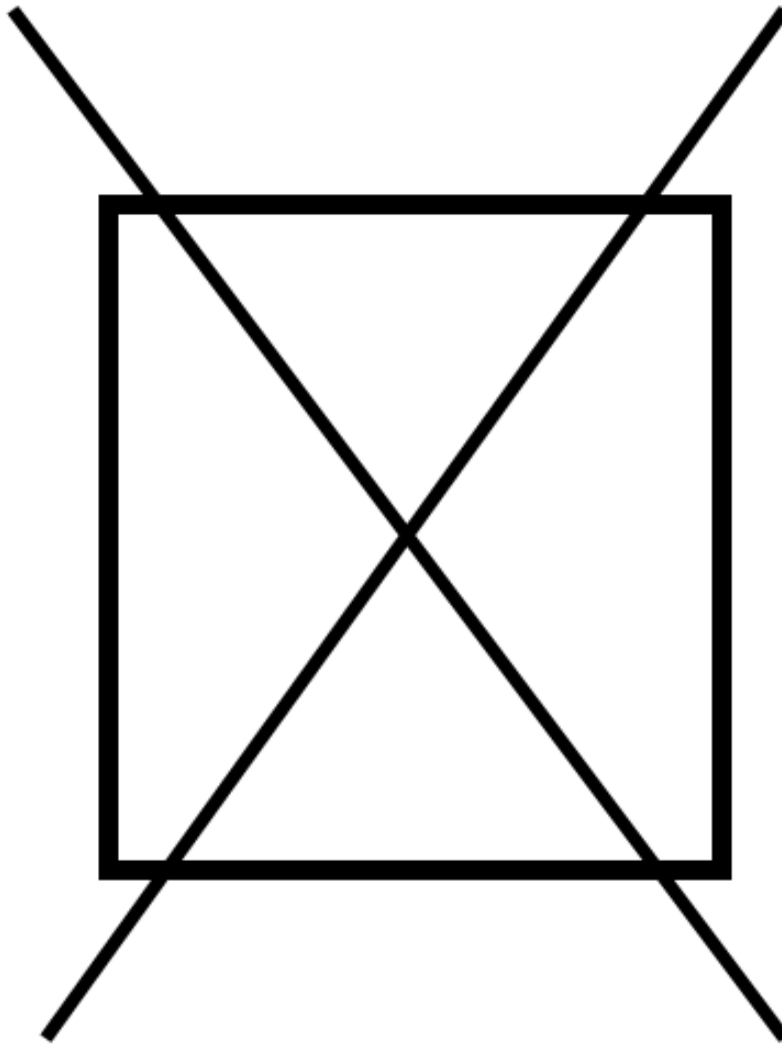
Item	Part No.	Name	Qty	Uom	NOTES
1	F20911307	TUBE FORMED HT EXCH AF 30	1	EA	
2	10699601	DAMPER-TUBING .8	2	EA	
3	F2096507	TUBE-PROCESS GRN	1	EA	
4	PM010619	COMPRESSOR VCC AF	1	EA	
5	C8982701	LABEL-COMP WARN	1	EA	
6	F20910729	TUBE DISCHARGE AF AR 30	1	EA	
7	PD020194	SCREW-SM	18	EA	
8	PD030118	INSULATED CLAMP	1	EA	
9	M0221523	SCREW - SHLDR	4	EA	
10	10835901	GROMMET RUBBER V10835901	4	EA	
11	10916507C	CORD-POWER V10916507	1	EA	Not available online / Call for pricing and availability
12	M0211014	SCREW-SM	1	EA	Not available online / Call for pricing and availability
13	050894-000	ASSY, BKT, PWR SUPPLY, 24VDC, REF	1	EA	
14	PE950149	SWITCH POWER	1	EA	
15	014190-000	BRACKET, GRILLE SUPPORT	2	EA	
16	M0327801	TAP-ELECTRO	1	EA	
17	011666-000	INVERTER,CMPR,ASM	1	EA	
Comments for Part Num. 011666-000					
gboltz@VikingRange.com on Aug 9, 2018					
See 2018-01P Parts Bulletin					
18	PF930682	LABEL WARNING INVERTER	1	EA	
19	014512-000	DIVERTER AIR HI SIDE 30	1	EA	
20	PC920204	HINGE ASM UL	1	EA	
21	000570-000	FASTENER, BOLT, 1/4-20 IHXWS 1" S ZN SER	4	EA	
22	003325-000	TUBE DRIER COND	1	EA	
23	F2097740	TUBE PROCESS	1	EA	
24	PM010616	DRIER - HIGH SIDE	1	EA	





Item	Part No.	Name	Qty	Uom	NOTES
25	10547001	CLIP-DRIER V10547001	1	EA	
26	007407-000	RING,LOK, .187 DIA	2	EA	
27	A3189370	GASKET-FOAM VA3189370	1	EA	
28	M0104102	CLIP-CORD RED	1	EA	
29	G5096494	COND. FAN ASSY	1	EA	

NON
ILLUSTRATED PART





Item	Part No.	Name	Qty	Uom	NOTES
NI	044042-000	ALL FREEZER FLOAT SWITCH WIRING KIT	1	EA	
Not Shown	NOTE	(FOR UNITS MANUFACTURED BEFORE 1/9/13)		EA	



Appendix A:Pages Index

CONTROL ASSEMBLY 1
DOOR ASSEMBLY 2
EVAP COVER AND AIR FLOW ASSY 3
EXTERIOR ASSEMBLY 4
INTERIOR ASSEMBLY 5
LOWER UNIT ASSEMBLY 6
MC COVER AND UPPER GRILLE ASSEM 7
SEALED SYSTEM ASSEMBLY 8
WIRING 9



Appendix B:Parts Index

000206-002	4	058966-000	3
000570-000	6, 8	060890-000	6
000950-000	2	060891-000	6
000953-000	2	10270203	5
002252-000	5	10276601	6
002318-000	2	10547001	8
003032-000	2	10699601	8
003036-000	2	10835901	8
003325-000	8	10916507C	8
003621-000	2	12064001	1
004528-000	5	12234001	3
004551-000	6	40370P01	4
005319-000	1	A3030361	1
005396-000	1	A3189370	7, 8
005448-000	2	A4539601	5
007377-000	2	A4554806	6, 7
007407-000	8	A4554817	1, 6
007450-000	2	B20915627	6
007458-000	2	B5733302	5
008399-000	2	C8982701	8
010500-000	1	C8983701	3
011666-000	8	F20910729	8
014190-000	8	F20911307	3, 8
014334-000	6	F2096507	8
014512-000	8	F2097740	8
016179-000	2	F2099927	6
016180-000	2	G32913789	6
016207-000	4	G50911176	5
016434-000	1	G50911181	5
019590-000	7	G50911312	5
019606-000	7	G50911315	5
020114-000	5	G50911316	5
031379-000	2	G50911915	3
033785-000	2	G50911931	5
034902-000	2	G5096494	8
034903-000	2	G5099928	7
036880-000	2	K20910060	1
044042-000	9	K20910061	1
046999-000	4	K20911832	6
050894-000	8	K20911928	5
		K20911929	5



K20912558	3	M0585506	1
K20912559	3	PB020304	6
K20912597	3	PB070356	7
K20912598	3	PB970171	7
K20915000	1	PC020289	6
K20915675	7	PC040010	1, 1, 6, 7
K20915953	6	PC080031	5
K2098044	6	PC910015	6
K2098096	6	PC920144	6
K2098654	1	PC920145	6
K2099037	4	PC920149	6
K2099455	7	PC920204	8
K2099459	7	PD020010	3, 4
K2099460	7	PD020013	1
K2099471	7	PD020194	1, 6, 7, 8
K2099930	7	PD020258	5
K2099932	7	PD020274	6
L20911932	3	PD030118	8
L20915602WH	6	PD030146	6
L2099055	3	PD040157	7
L2099492	5	PD050019	2
M0104102	8	PD920174	2
M0104106	1, 6	PD940090	6
M0210443	4	PD940091	6
M0210458	2	PD940094	6
M0211014	8	PD940107	6
M0213147	7	PD950013	5
M0215318	2, 4, 7	PE050248	6
M0218115	3	PE070728	1
M0220417	6	PE070785	1
M0221523	6, 8	PE070823	6
M0223509	7	PE950125	5
M0224128	1, 7	PE950146	6
M0238535	5	PE950149	8
M0238616	3, 5	PE950154	3
M0238846	1	PE970464	1
M0238859	3	PE970609	1
M0253916	6	PE970641	3
M0288120	1	PF930487	1
M0327801	6, 8	PF930523	7
M0585504	1	PF930654	6



PF930682	8
PJ910038	3
PK050004	7
PK910089	7
PK920066	4
PK930346	5
PK930347	6
PK930424	6
PM010616	8
PM010619	8
PM910072	7
PM910282	5
PM910285	5
PM910348	7
PM910349	7
PM910405	5
PM910406	7
PM910407	7
PM910408	7
PM910456	3
PM910468	3
PM910477	3
PM910504	7