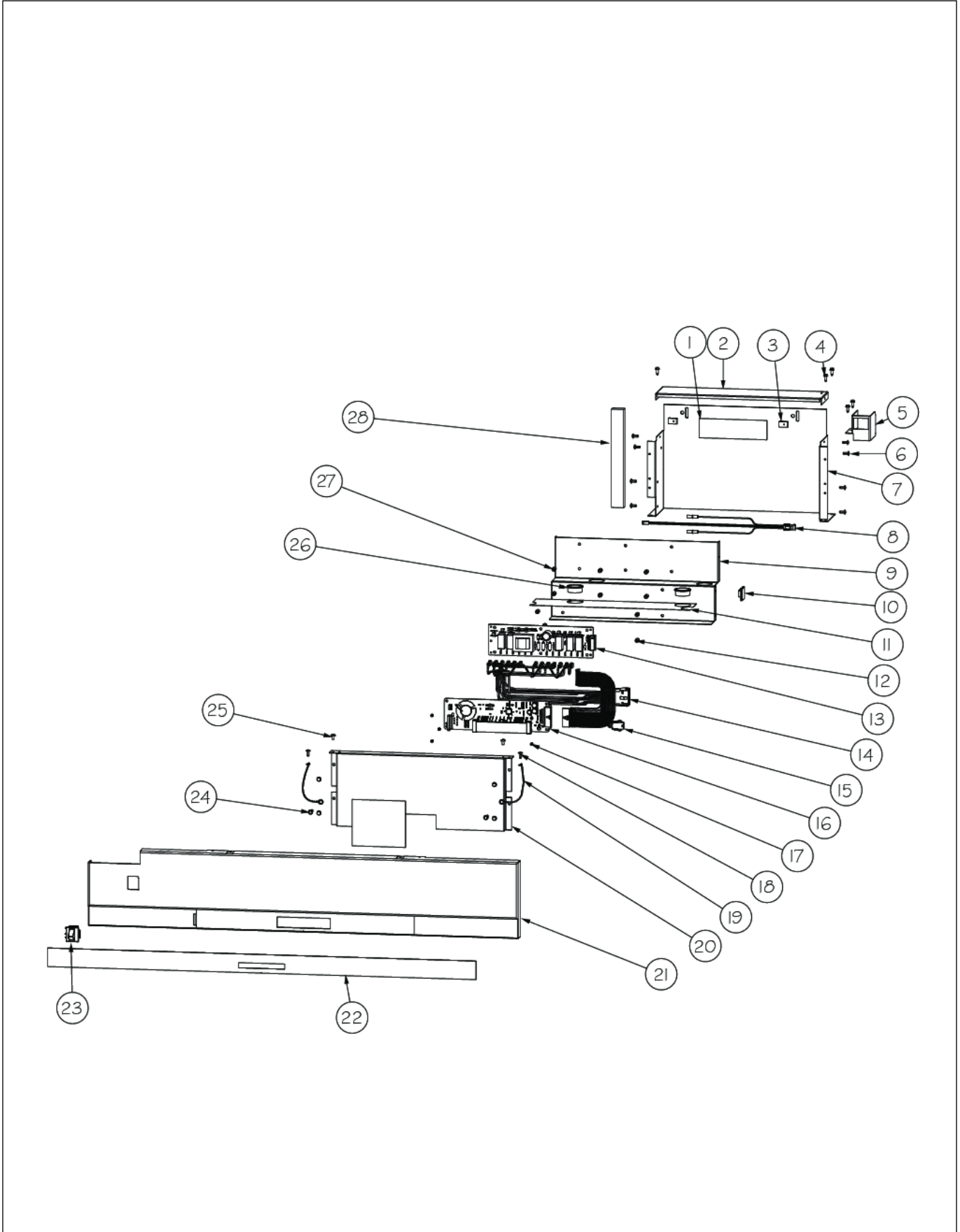


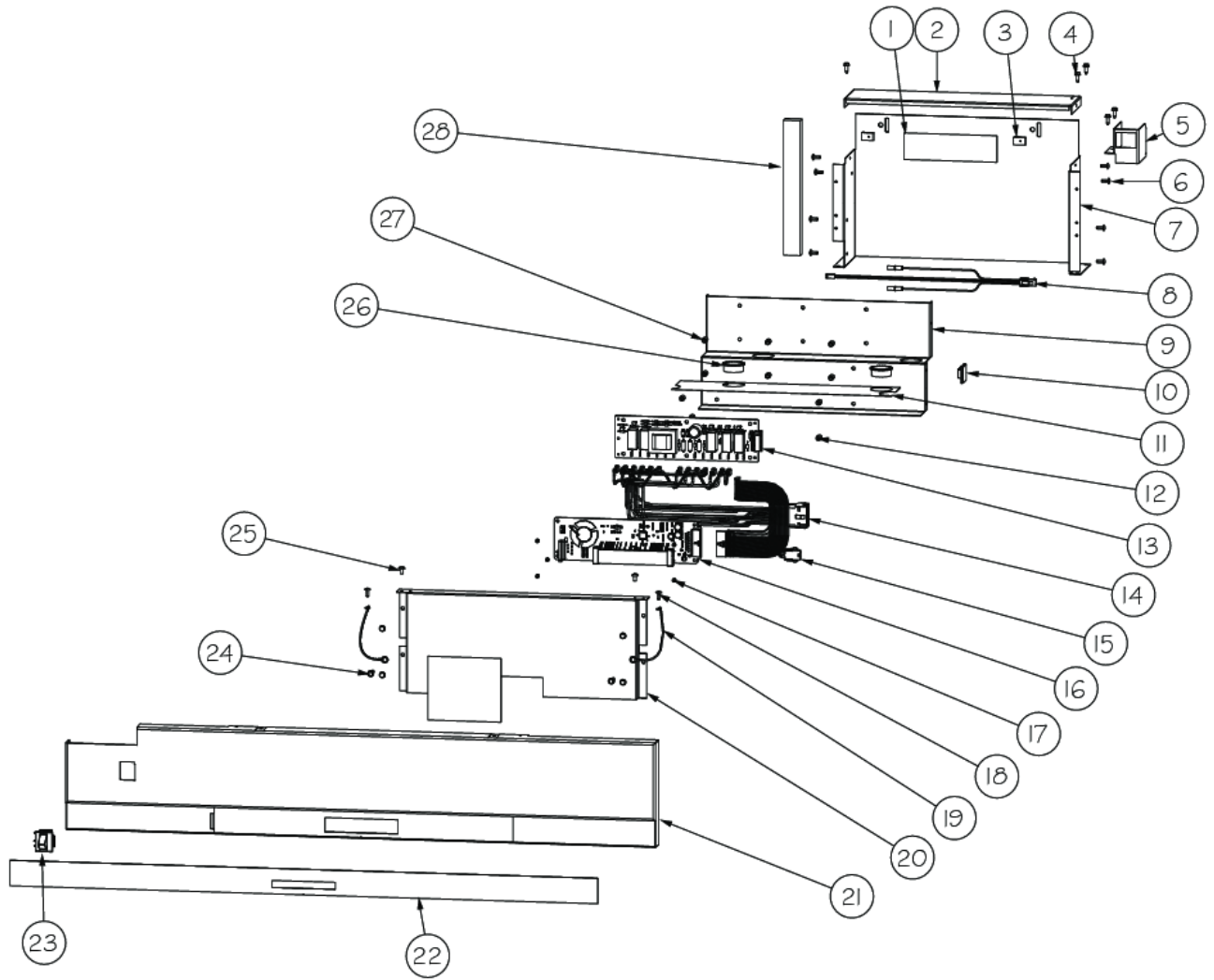
DFBB536

CONTROL ASSEMBLY	1
EXTERIOR ASSEMBLY	2
FREEZER DOOR ASSEMBLY	3
FREEZER INTERIOR ASSEMBLY	4
LOW SIDE ASSEMBLY	5
LOWER UNIT ASSEMBLY	6
MC COVER AND UPPER GRILLE ASSEM	7
REFRIG DOOR ASSEMBLY	8
REFRIG INTERIOR ASSEMBLY	9
SEALED SYSTEM ASSEMBLY	10
Appendix A:Pages Index	A
Appendix B:Parts Index	B

CONTROL ASSEMBLY



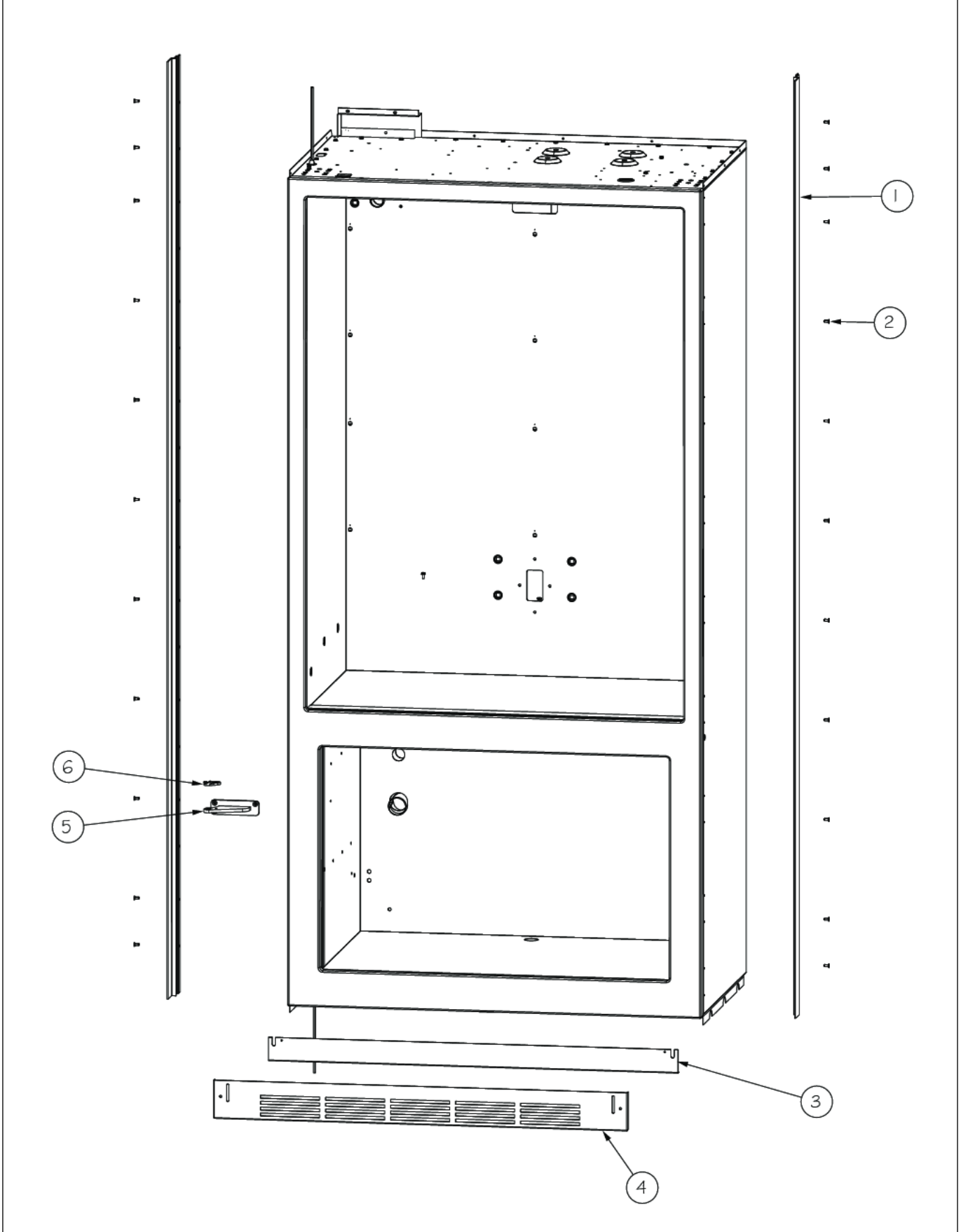
Item	Part No.	Name	Qty	Uom	NOTES
1	PF930487	TECH LITERATURE LABEL - 2	1	EA	
2	K20915000	CONTROL BOX TOP	1	EA	
3	M0288120	NUT-SPEED VM0288120	1	EA	
4	PD020194	SCREW-SM	7	EA	
5	K2098654	Bracket, Power Switch	1	EA	
6	PC040010	POP RIVET (.063/GR -.125) GAMD42-A	8	EA	
7	K2099402	CONTROL BOX	1	EA	
8	PE970609	HARNESS CONTROL BOARD 5 SERIES	1	EA	
9	K20910060	BRACKET - PC	1	EA	
10	M0104106	CLIP-CORD VM0104106	1	EA	
11	005396-000	FILM,PROTECTIVE	1	EA	
12	M0585506	SUPPORT	4	EA	
13	005319-000	POWER CONTROL BOARD ASM 5 SERIES	1	EA	
<p>Comments for Part Num. 005319-000</p> <p>boltz on Apr 12, 2018 See TR-0056-SP Bulletin</p>					
14	015365-000	HARNESS HIGH VOLT	1	EA	
15	PE970464	HARNESS LOW VOLT 5 SERIES	1	EA	
16	PE070728	BOARD LOW VOLTAGE	1	EA	
<p>Comments for Part Num. PE070728</p> <p>bradleysapplianceservice@shaw.ca on Apr 27, 2016 COULD ALSO USE: 002670-000 LOW VOLTAGE BOARD KIT ANALOG - INCLUDES WIRE HARNESS</p>					
17	PD020013	TYPE "AB" #6 X 3/8 PH PAN HD. SMS	5	EA	
18	PC040010	POP RIVET (.063/GR -.125) GAMD42-A	2	EA	
19	12064001	SUPP-CONT PANEL	2	EA	
20	K20910061	CONTROL BOX FRONT	1	EA	
21	PK030459	PANEL CONTROL AR 36 L	1	EA	
22	010491-000	OVERLAY SWITCH BTM 36	1	EA	
23	PE950122	SWITCH	1	EA	





Item	Part No.	Name	Qty	Uom	NOTES
24	M0238846	SCREW-SHLDR	1	EA	
25	M0224128	SCREW-SM	1	EA	
26	A4554817	BUSHING-SNAP VA4554817	2	EA	
27	M0585504	SUPPORT	6	EA	
28	A3030361	GASKET RED	1	EA	

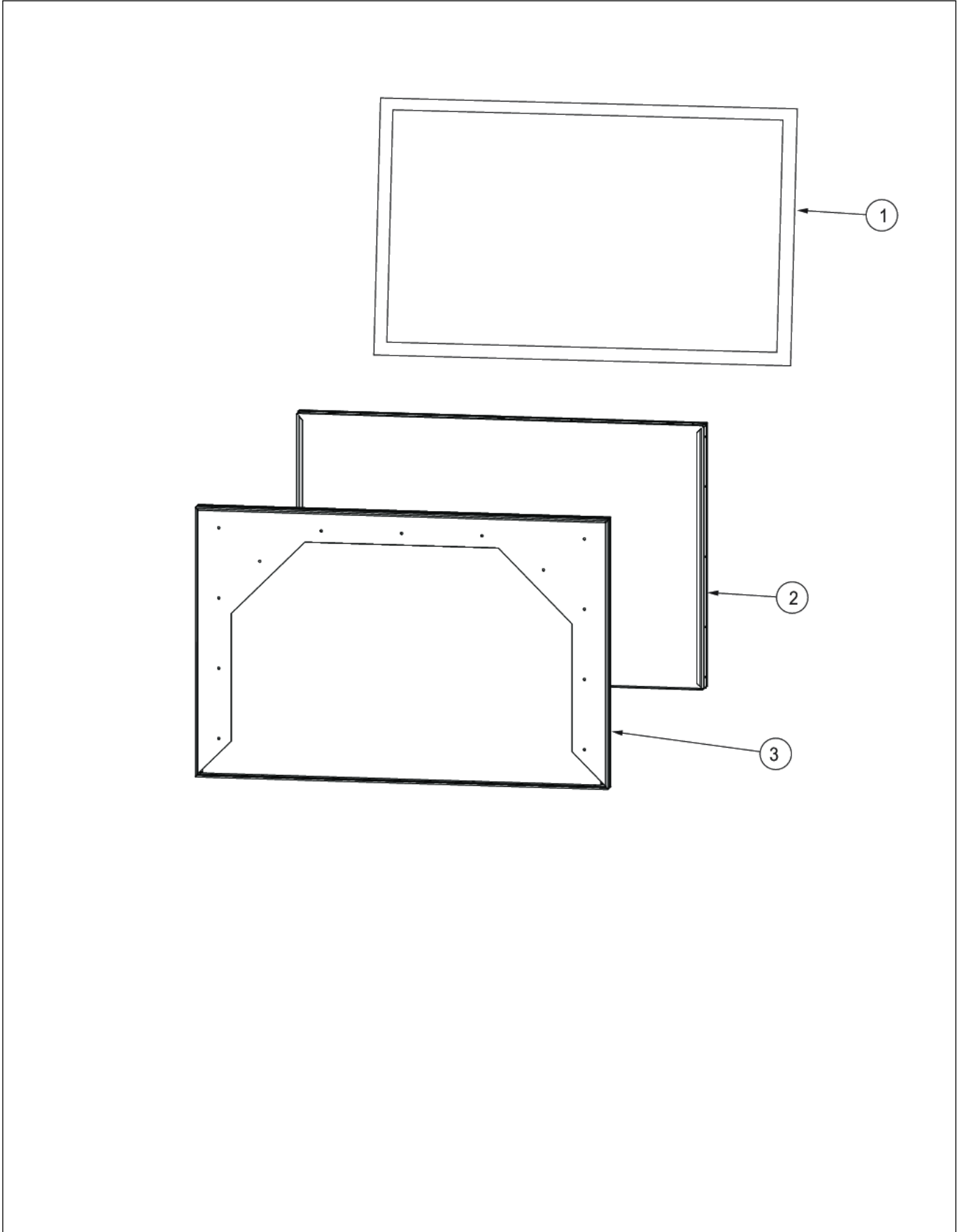
EXTERIOR ASSEMBLY





Item	Part No.	Name	Qty	Uom	NOTES
1	PK920066	TRIM, EXTRU, SIDE DES	2	EA	
2	M0215318	SCREW-SM	22	EA	
3	000147-002	LOWER KICK PLATE	1	EA	
4	044439-000	GRILLE TOE ASM BM 36	1	EA	
5	PC020249	HINGE ASM, LOWER, BM, LH (PRO/DES)	1	EA	
5	PC920170	HINGE ASM LOWER BM FO RH	1	EA	
6	PC020228	CAM DOOR CLOSURE BOTTOM BLACK	1	EA	

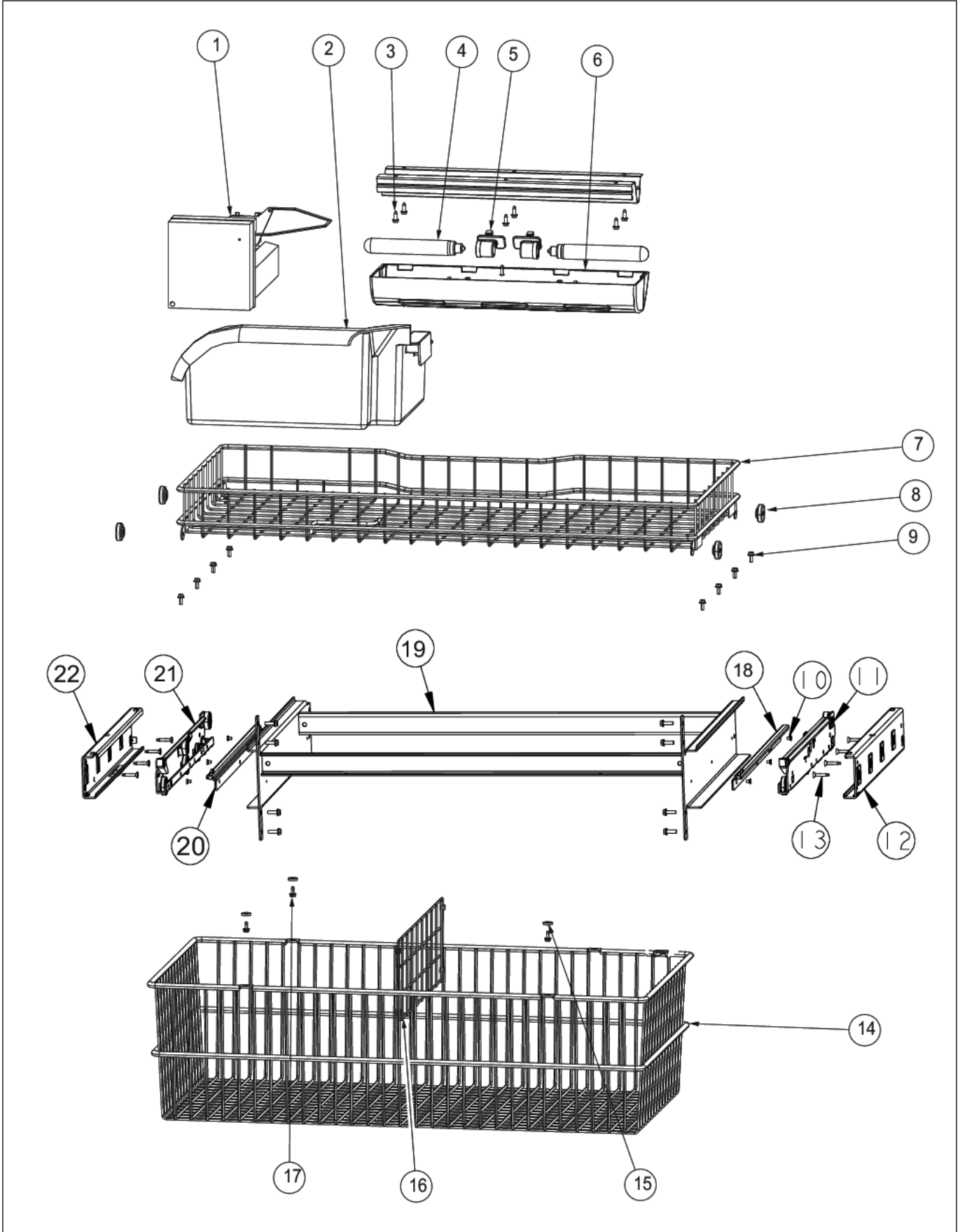
FREEZER DOOR ASSEMBLY





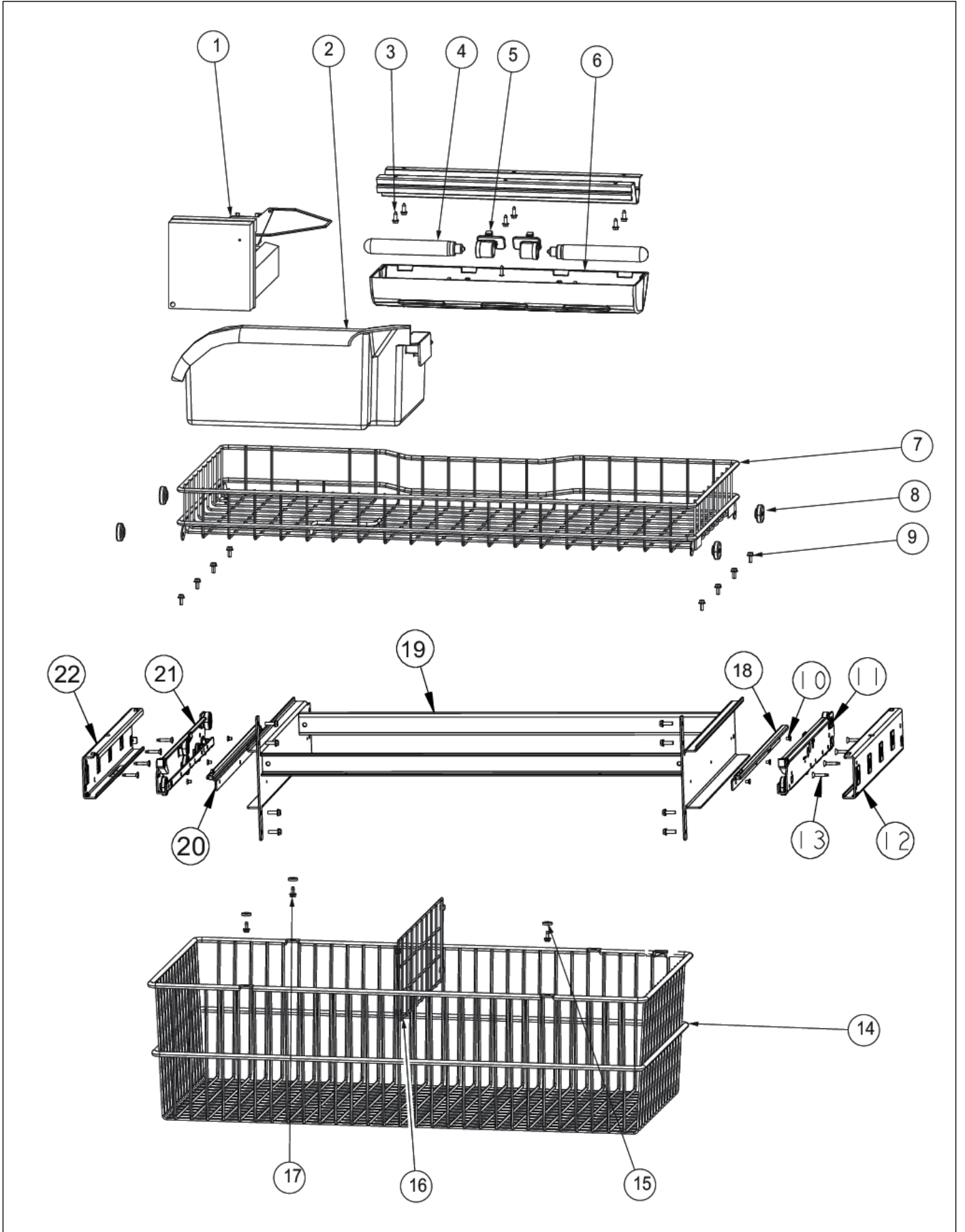
Item	Part No.	Name	Qty	Uom	NOTES
1	005450-000	GASKET,ASM,36,BM FZ VID# 602711717-17	1	EA	
2	007565-000	DOOR FOAM ASM 36 BM FZ	1	EA	
3	G3097171	PAN WELD ASM BM 36 FZ	1	EA	
NI	008785-000	DOOR ASM COMPLETE BM 36 FOL FZ	1	EA	
NI	002313-000	EXTRUSION,FOL, TOP,BM,FZ	1	EA	
NI	008254-000	BRACKET,FOL,Z,BM	1	EA	

FREEZER INTERIOR ASSEMBLY





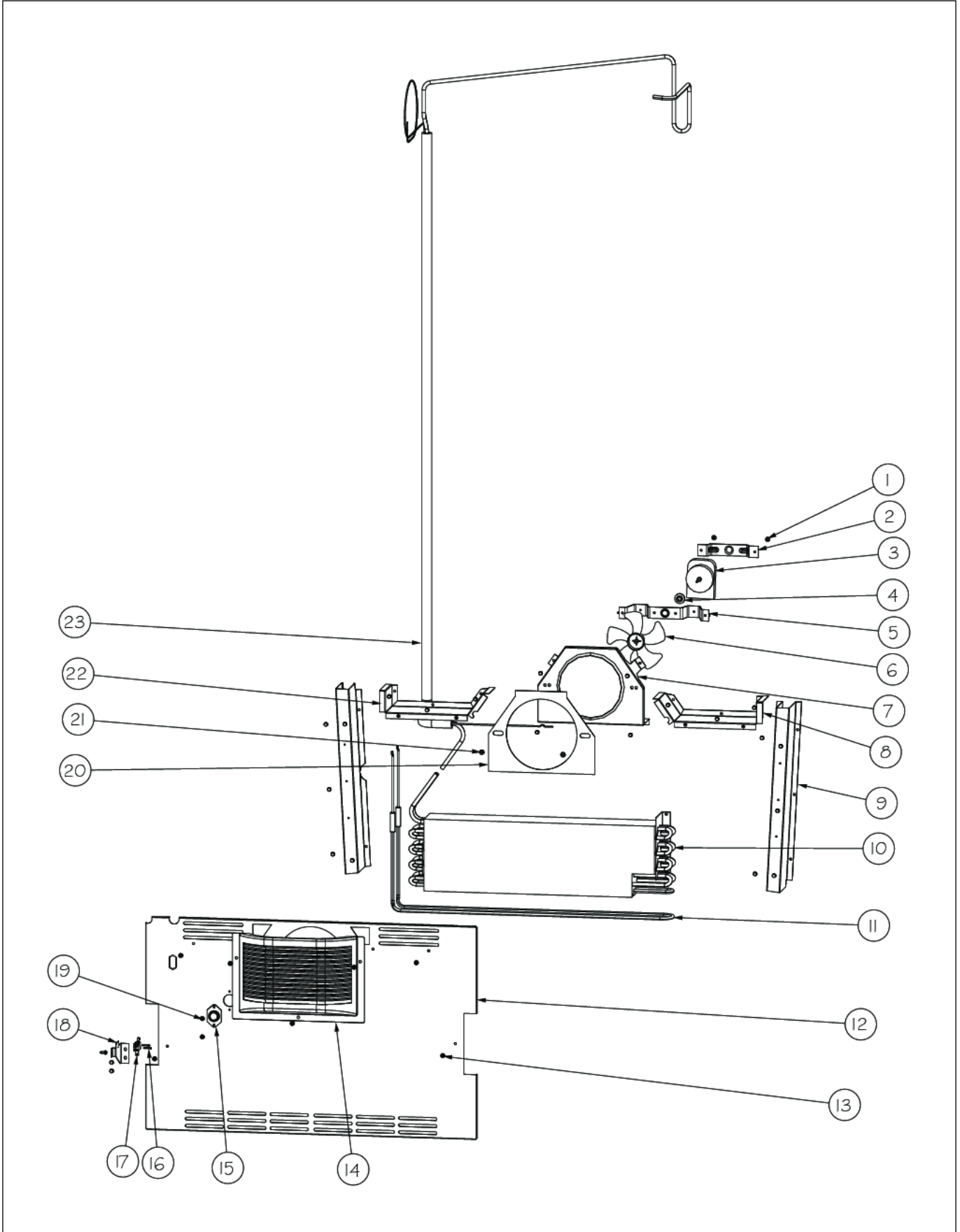
Item	Part No.	Name	Qty	Uom	NOTES
1	G50911850	ICE MAKER ASMY, BM	1	EA	
<p>Comments for Part Num. G50911850</p> <p>bradleysapplianceservice@shaw.ca on Jan 7, 2016 ICE MAKER BAIL ARM ACCESSORY KIT NUMBER 002251-000 -BAIL ARM (BOTTOM MOUNT) -BAIL ARM (DISPENSER AND NON-DISPENSER SIDE BY SIDE, ALL FREEZER) -ICE MAKER SHUTOFF WIRE</p> <p>ICE MAKER KIT NUMBER 002252-000 -ICE MAKER -ICE MAKER COVER -ICE MAKER LABEL -FILL CUP CLIP</p> <p>ICE MAKER WIRE HARNESS KIT NUMBER 002253-000 -ICE MAKER HARNESS -WIRE CLAMP</p>					
2	PK930056	PAN ICE (BM)	1	EA	
3	PD020194	SCREW-SM	6	EA	
4	004528-000	LAMP, 40 WATT CLEAR LIGHT	2	EA	
5	PE950125	LIGHT SOCKET	2	EA	
6	12074501	COVER-FZ LIGHT	1	EA	
7	PM010630	BASKET, TOP	1	EA	
8	12088001	ROLLER-UP BSKT	3	EA	
9	PD920125	SCREW, NO.8 X 3/8 HEX HD.	5	EA	
10	001091-000	NO.8-32X1/4 FLAT PHIL HD TAPTITE	6	EA	
11	057856-000	MIDDLE MEMBER, SLIDE, BM 36, RH (83103)	1	EA	
12	PC080028	OUTER MEMBER, SLIDE RH (83102)	1	EA	
13	PD920174	10X7/8 PHILLIPS SMA TRI LOBE SA	1	EA	
14	PM910172	BASKET BOTTOM 36 BM FZ	1	EA	
15	M0274067	WASHER-NYLON	4	EA	
16	003995-000	DIVIDER, BOT BASKET	1	EA	





Item	Part No.	Name	Qty	Uom	NOTES
17	M0253916	SCR 8-32 SHXW 3/8 TRI-LOBE	4	EA	
18	PC080030	INNER MEMBER, SLIDE BM 36 (RH)	1	EA	
19	PM010622	FRAME BASKET ASM 36 BM	1	EA	
20	PC080027	INNER MEMBER, SLIDE BM 36 (LH)	1	EA	
21	057857-000	MIDDLE MEMBER, SLIDE, BM 36, LH (83104)	1	EA	
22	PC080025	OUTER MEMBER, SLIDE LH (83101)	1	EA	

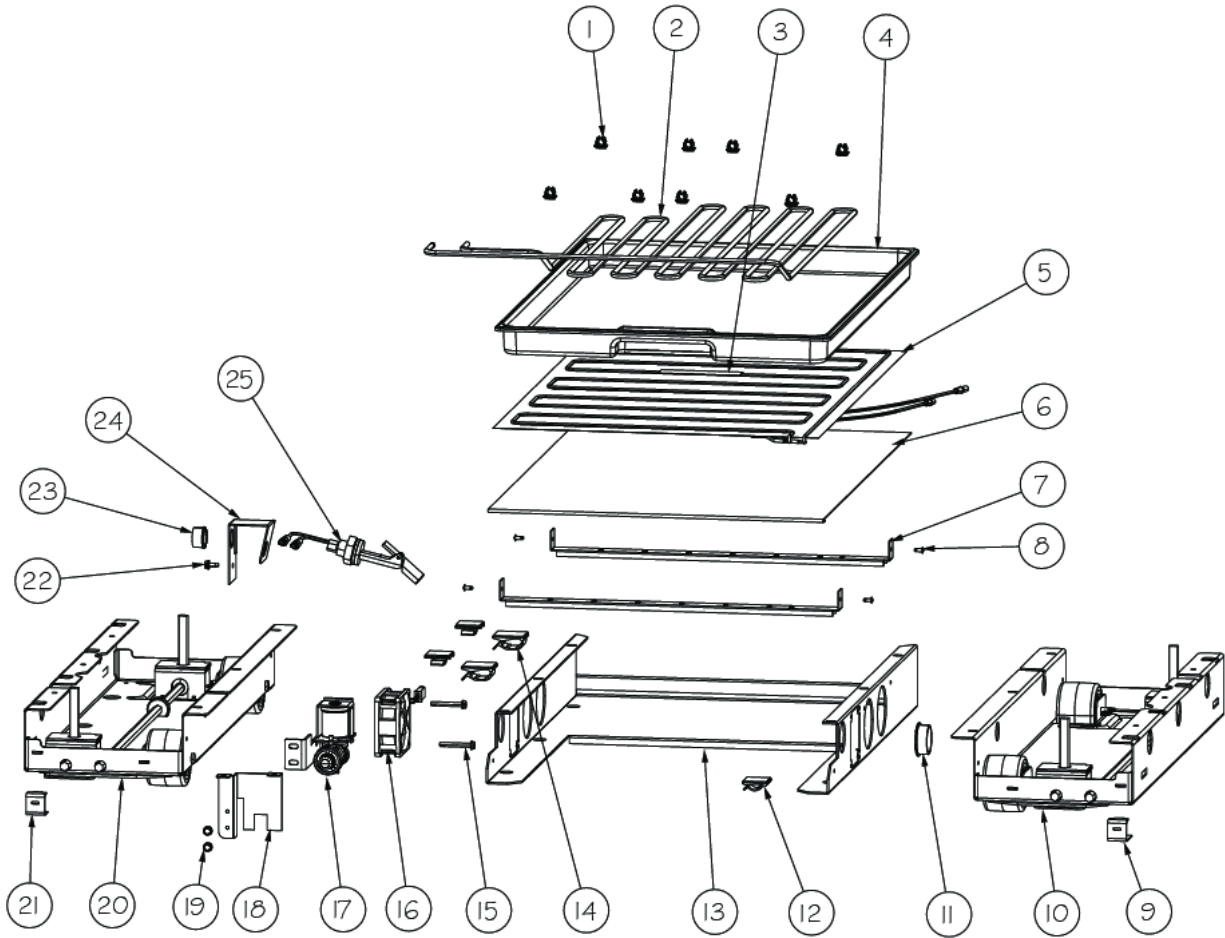
LOW SIDE ASSEMBLY



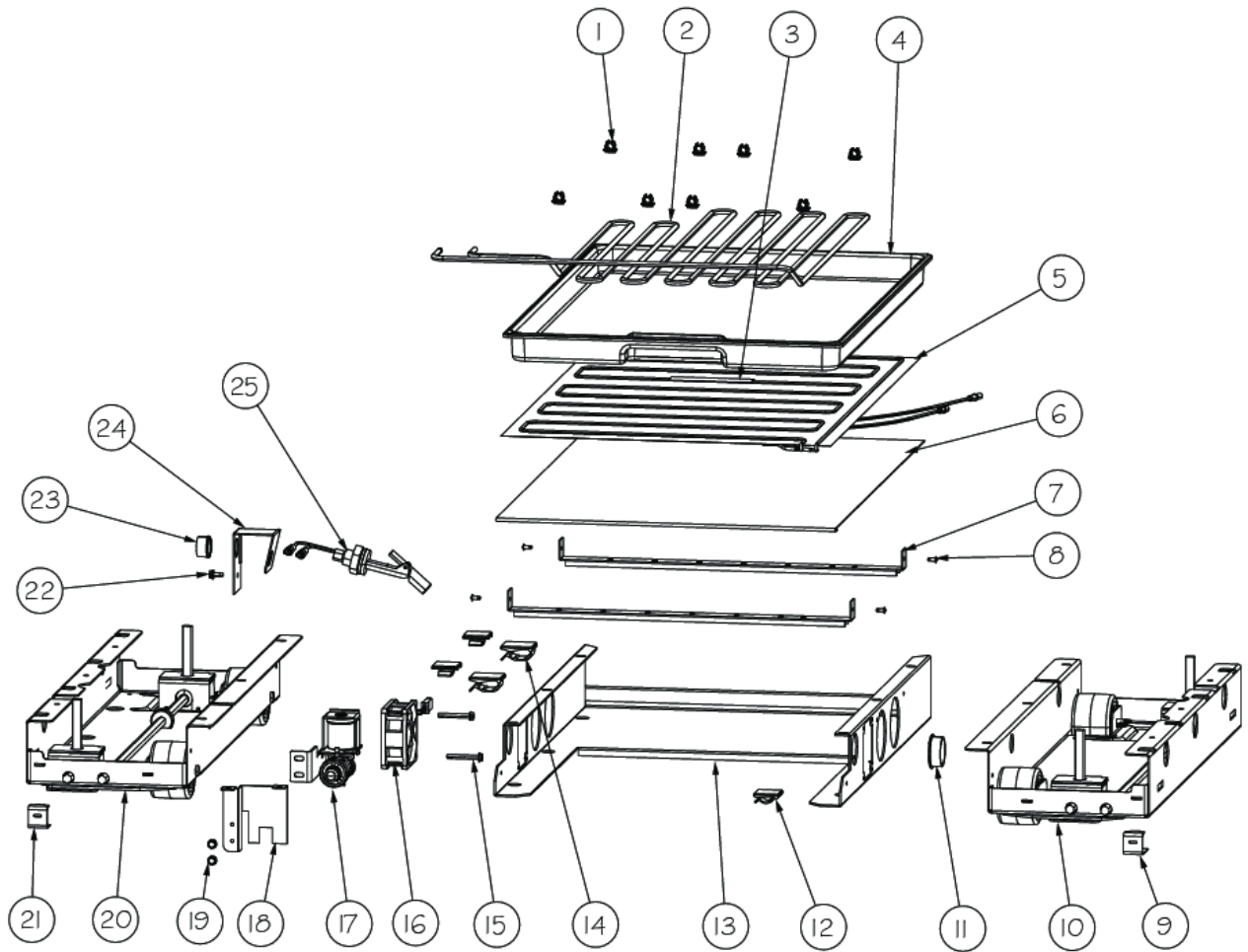


Item	Part No.	Name	Qty	Uom	NOTES
1	PD020193	SCR 8-18 X 3/8	22	EA	
2	L21910017	BRACKET FAN EVAP -- VEN	1	EA	Not available online / Call for pricing and availability
3	PE950153	MOTOR EVAP FAN	1	EA	
4	A1017202	GROMMET-FAN VA1017202	1	EA	
5	10656101	BRKT-MTR UP STEEL V1065601Q	1	EA	
6	12059901	FAN-EVAP/5.250 V12059901	1	EA	
7	PM910168	SHROUD EVAP FAN BM	1	EA	
8	K2097169	BRKT DIVIDER R	1	EA	
9	K2097172	RETURN AIR CHANNEL	2	EA	
10	PM910178	BOTTOM MOUNT EVAP	1	EA	
11	PJ910030	BOTTOM MOUNT EVAP HEATER	1	EA	
12	000247-000	COVER, EVAP, BM	1	EA	
13	M0211018	SCREW-SM	7	EA	
14	12063301	COVER-FZ FAN V12063301	1	EA	
15	C8983701	THERMISTOR	1	EA	
16	M0213105	SCREW-SM	2	EA	
17	003471-000	SWITCH SNAP-ACTION BM 36	1	EA	
18	K2098398	36" BM SWITCH MOUNTING BRKT	1	EA	
19	M0211014	SCREW-SM	2	EA	Not available online / Call for pricing and availability
20	12102401	GSKT-EVAP FAN SHRD V12102401	1	EA	
21	PD020038	SCREW-#10 X 3/8 HEX WH.HD.T(F)GREEN	2	EA	
22	K2097168	BRKT DIVIDER L	1	EA	
23	031006-000	HEAT EXCHANGER ASM BM 36	1	EA	
NI	058966-000	THERMOSTAT, SNAP ACTION, 55 OPEN 20 CLOSE	1	EA	

LOWER UNIT ASSEMBLY



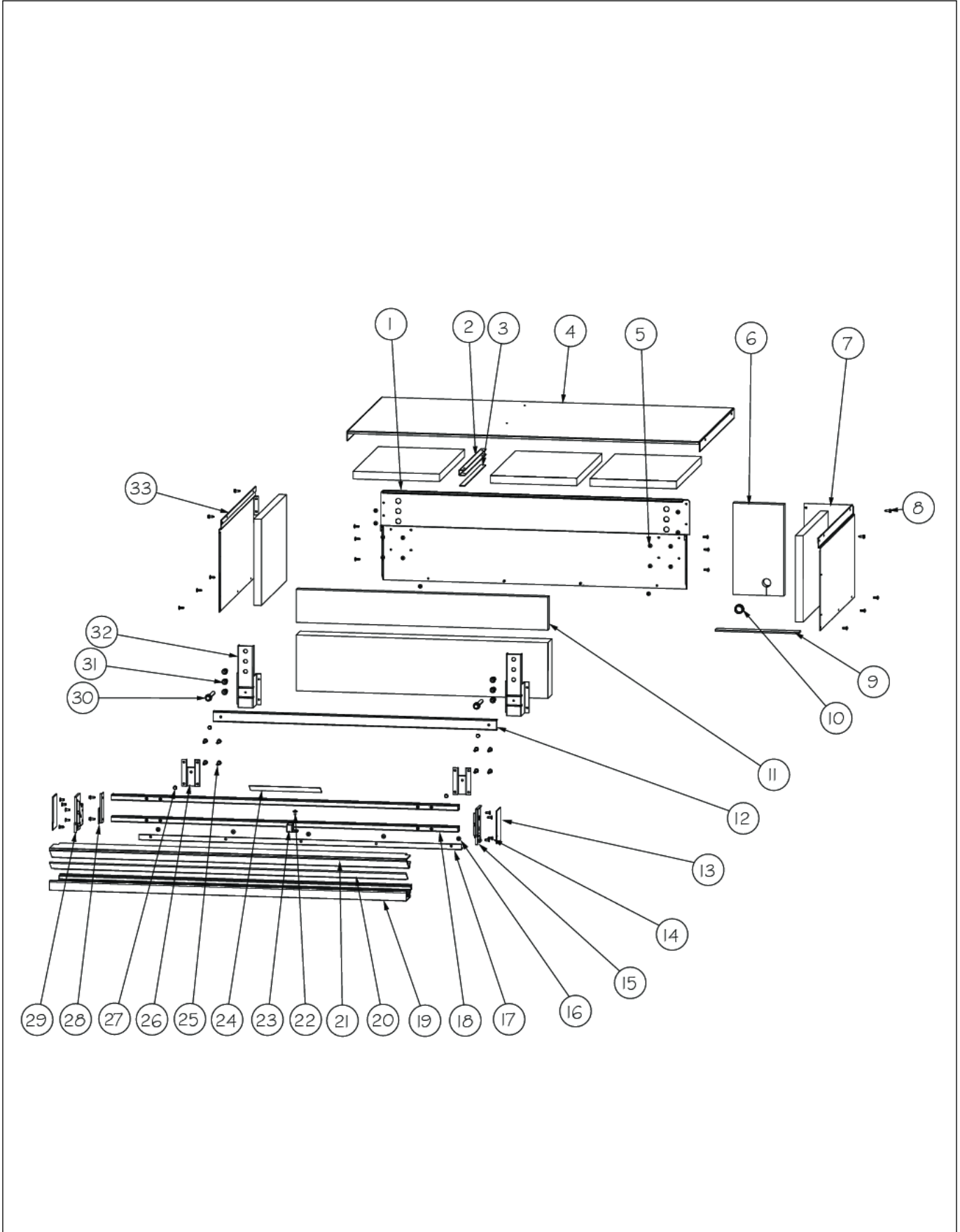
Item	Part No.	Name	Qty	Uom	NOTES
1	PD030146	STAND OFF LOCK CLIP	1	EA	
2	F2096549	SERPENTINE-DRAIN 12131801	1	EA	
3	PF031267	LABEL HEATER PAN	1	EA	
4	PK930348	PAN DRAIN	1	EA	
5	G50911853	TRAY PAN HEATER	1	EA	
6	L20914124WH	TRAY PAN HEATER	1	EA	
7	K20913040	BRACKET, CONDENSATE SUPPORT	2	EA	Not available online / Call for pricing and availability
8	10699601	DAMPER-TUBING .8	4	EA	
9	K2098044	BRKT GRILLE SUPPORT	1	EA	
10	060890-000	LEVELER MODULE R	1	EA	
11	A4554817	BUSHING-SNAP VA4554817	1	EA	
12	M0104106	CLIP-CORD VM0104106	3	EA	
13	K20915952	SHIELD BOTTOM DRAIN	1	EA	
14	M0104102	CLIP-CORD RED	1	EA	
15	PD020274	SCR SLTD HEX WSHR HD 8X1.250 BT	1	EA	
16	004551-000	AXIAL FAN	1	EA	
Comments for Part Num. 004551-000 gboltz@VikingRange.com on Jul 21, 2016 View service bulletin TR-0052-SP before ordering fan, if applicable order kit instead of fan					
17	PA970012	SINGLE WATER VALVE	1	EA	
18	K20913788	BRKT VALVE H2O SINGLE	1	EA	
19	M0220417	SCREW-TC	1	EA	
20	060891-000	LEVELER MODULE L	1	EA	
21	K2098096	BRKT GRILLE SUPPORT	1	EA	
22	M0253916	SCR 8-32 SHXW 3/8 TRI-LOBE	1	EA	
23	A4554806	BUSHING-SNAP VA4554806	1	EA	
24	B20915627	BRACKET HORIZ FLOAT SWITCH	1	EA	
25	PE050248	FLOAT SWITCH HORIZONTAL	1	EA	



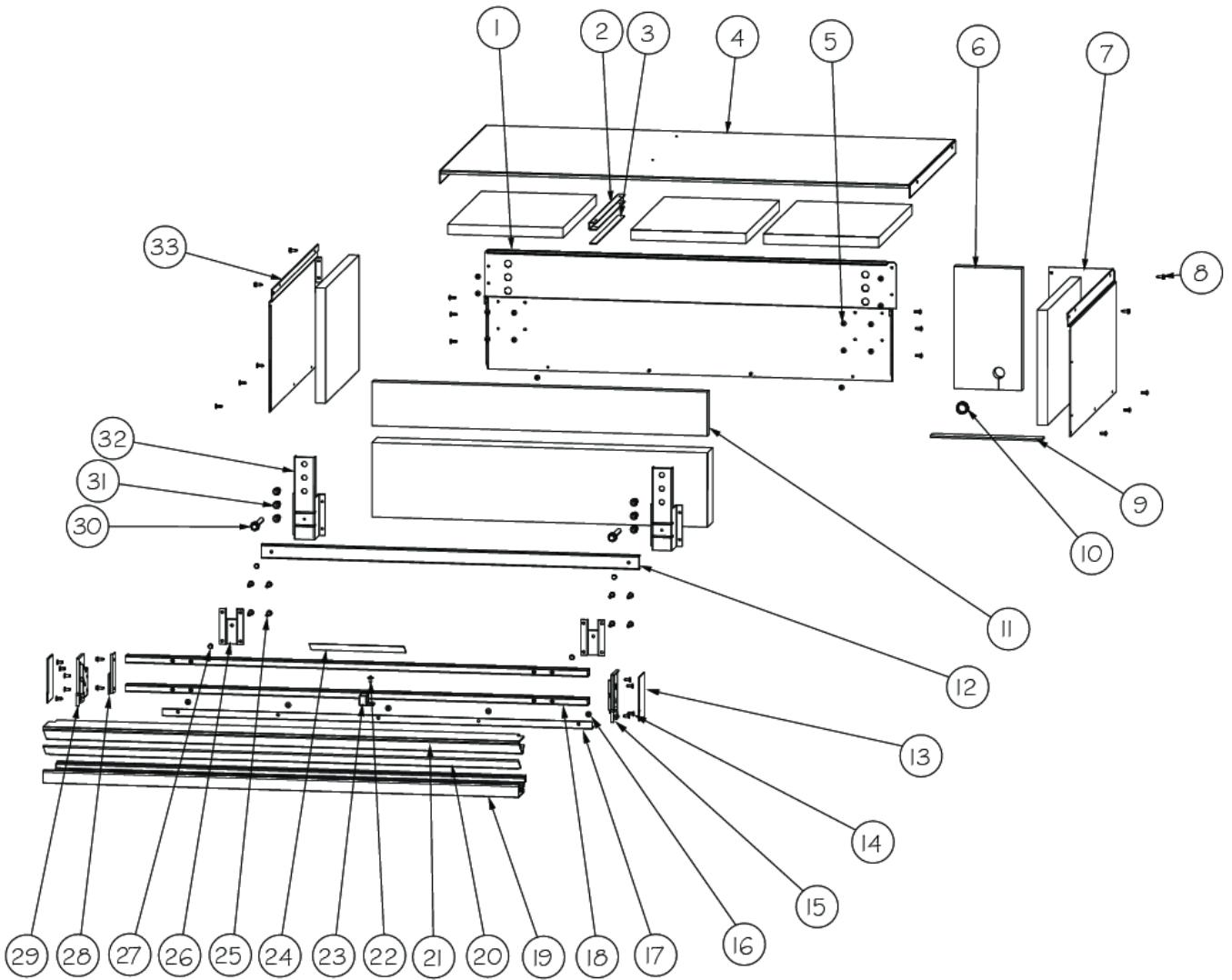


Item	Part No.	Name	Qty	Uom	NOTES
NI	PM010581	GRILLE LOWER 36 BM RH	1	EA	Not available online / Call for pricing and availability

MC COVER AND UPPER GRILLE ASSEM



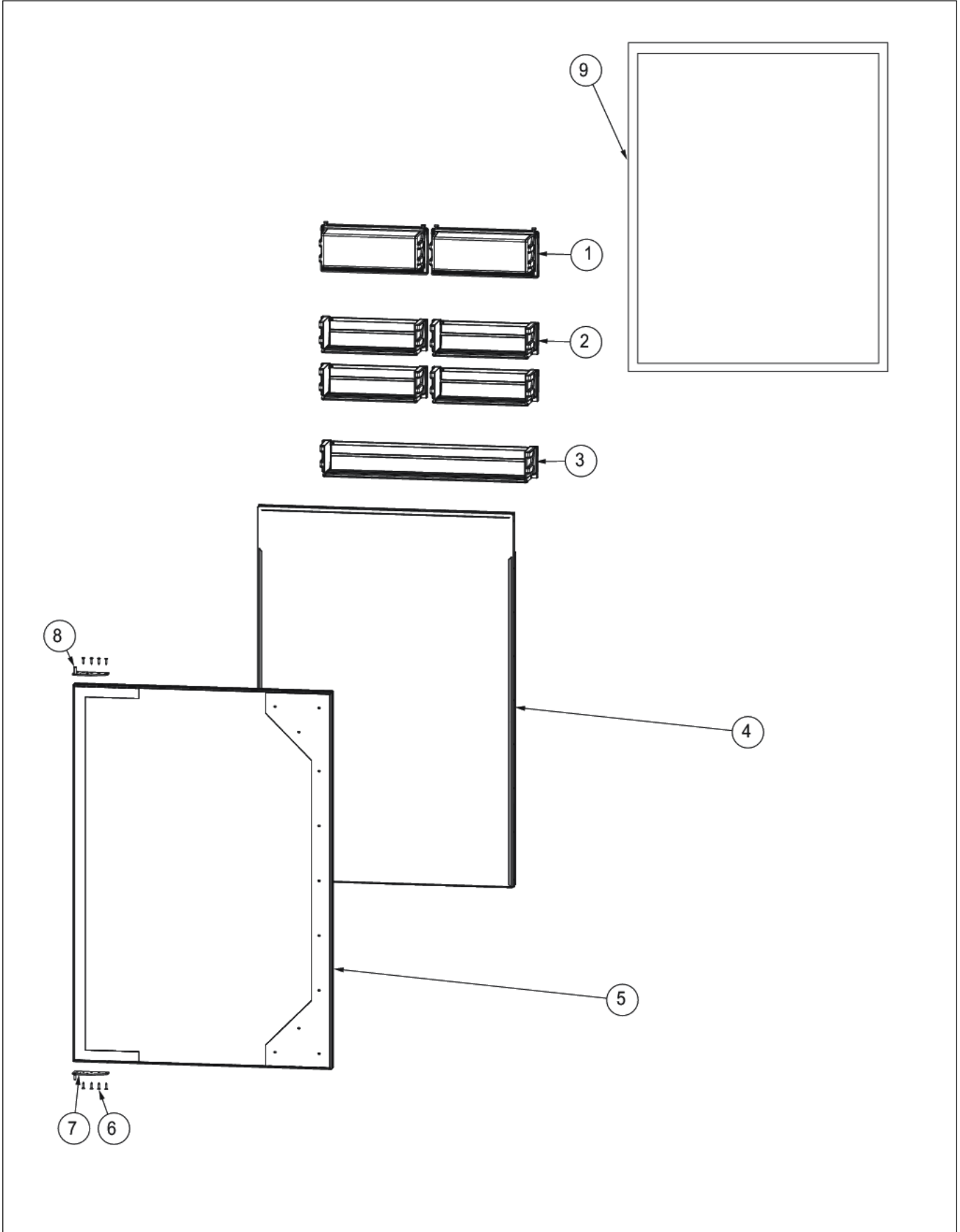
Item	Part No.	Name	Qty	Uom	NOTES
1	K2099933	MC BACK 36	1	EA	
2	K2099455	SUPPORT MC Z	1	EA	
3	G5099929	MC COVER WELD	1	EA	Not available online / Call for pricing and availability
4	K2099931	MC TOP 36	1	EA	
5	PC040010	POP RIVET (.063/GR -.125) GAMD42-A	28	EA	
6	PB970171	MC INSULATION - BACK SIDE	1	EA	Not available online / Call for pricing and availability
7	K2099459	MC SIDE (RIGHT)	1	EA	
8	PD020194	SCREW-SM	10	EA	
9	A3189370	GASKET-FOAM VA3189370	2	EA	
10	A4554806	BUSHING-SNAP VA4554806	1	EA	
11	PB070358	INSULATION MC COVER	1	EA	
12	K20915902	CROSSMEMBER PSM 36	1	EA	
13	PM910071	COVER - END CAP 12119801	2	EA	
14	M0215318	SCREW-SM	9	EA	
15	PM910348	ENP CAP GRILLE R	1	EA	
16	M0224128	SCREW-SM	5	EA	
17	002035-000	GRILLE EXTENSION, BM36	1	EA	
18	042922-000	BRACKET, GRILLE	2	EA	
19	PM010582	GRILLE LOWER 36 BM LH	1	EA	
NI	PM010581	GRILLE LOWER 36 BM RH	1	EA	Not available online / Call for pricing and availability
20	PM910429	GRILLE LOUVER MID AF AR 36 DES FOL	1	EA	
21	PM910418	GRILLE LOUVER UPPER AF AR 36 DES FOL	1	EA	NO LONGER AVAILABLE
22	M0230028	SCREW-TC	1	EA	
23	PM910084	SUPPORT GRILLE 12201201	1	EA	
24	PF930523	GRILL BLADE LABEL (REFRIGERATOR)	1	EA	
25	M0213147	SCREW-SM	8	EA	





Item	Part No.	Name	Qty	Uom	NOTES
26	PK050004	BRACKET GRILLE 5 SERIES	2	EA	
27	PD020194	SCREW-SM	4	EA	
28	K2099471	BRACKET GRILLE SUPPORT L	1	EA	
29	PM910349	END CAP GRILLE L	1	EA	
30	PD020233	SCR LAG 5/16-9 GX 5/16X7/16 WAF IHXW 3 S ZN	2	EA	
26	PD040157	BEARING SLEEVE	6	EA	
27	K20915675	BRACKET PSM	2	EA	
28	K2099460	MC SIDE L	1	EA	
NI	019581-000	GRILLE ASM, 36 BTM FOL RH	1	EA	
NI	019580-000	GRILLE ASM, 36 BTM FOL LH	1	EA	

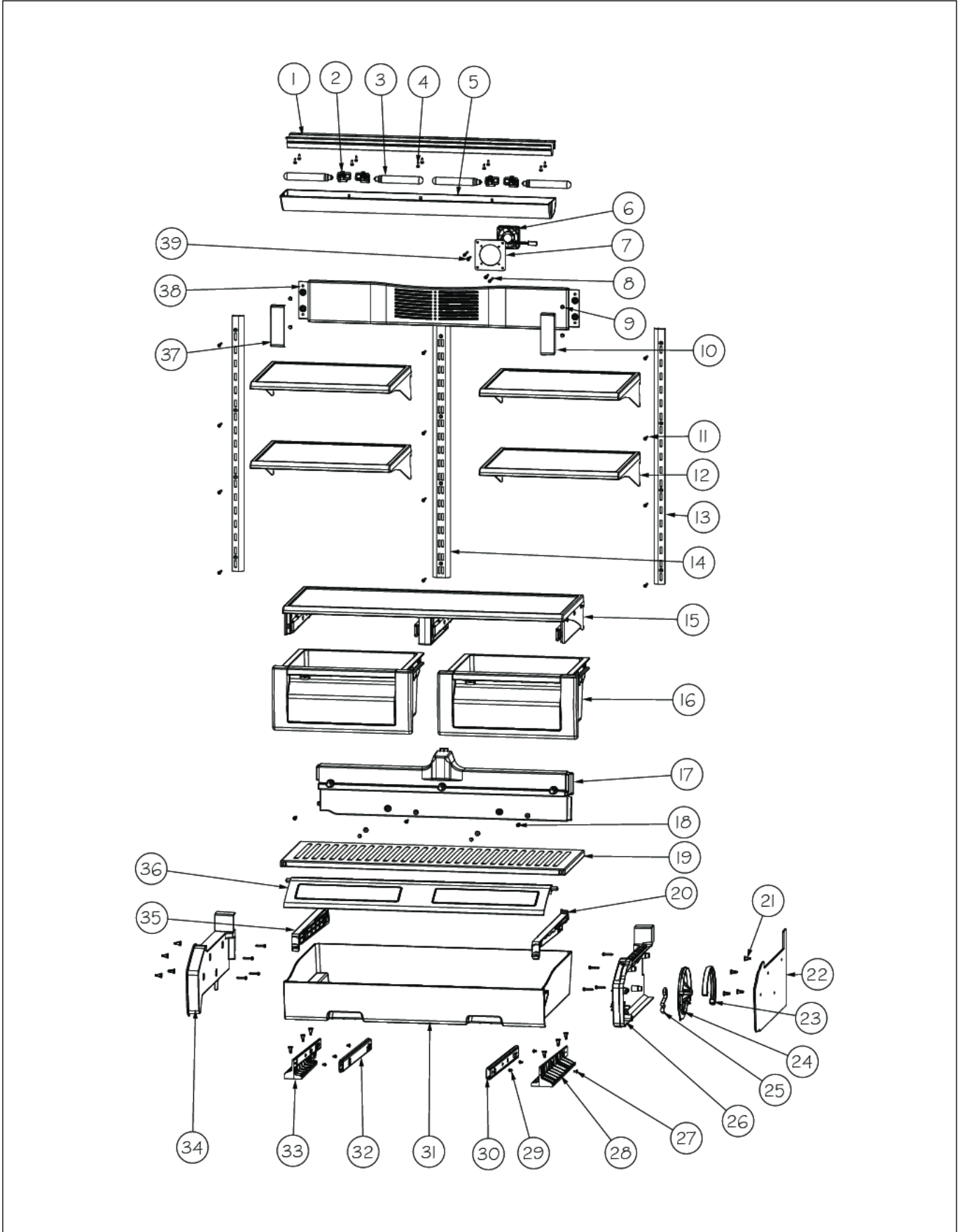
REFRIG DOOR ASSEMBLY





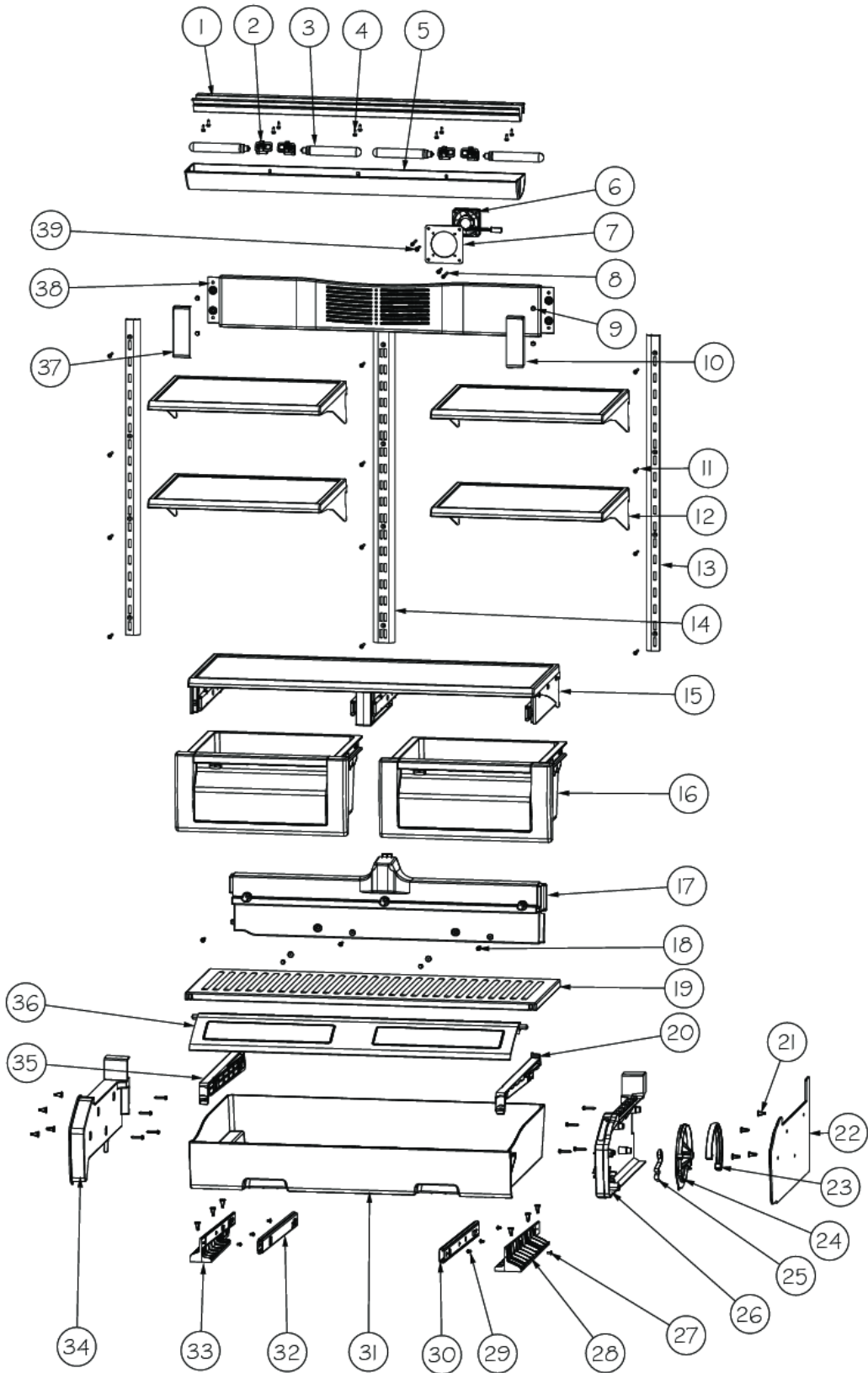
Item	Part No.	Name	Qty	Uom	NOTES
1	V12097404	Dairy Module Asm (BM)	2	EA	
2	036882-000	DOORBIN ASM FF 36 HALF	4	EA	
3	036884-000	DOORBIN ASM FF 36 FULL	1	EA	
4	007569-000	DOOR FOAM ASM 36 BM FF	1	EA	
5	G30915956	PAN WELD ASM 36 BM	1	EA	
6	PD920174	10X7/8 PHILLIPS SMA TRI LOBE SA	8	EA	
7	PC020287	PIVOT PL ASM LH LW FOL	1	EA	
7	PC020286	PIVOT PL ASM RH LW FOL	1	EA	
8	PC020285	PIVOT PL ASM LH UP FOL	1	EA	
8	042385-000	FOL LH, BM 4 Hole Pivot Plate Kit	1	EA	
Not Shown	NOTE	(MANUFACTURED BEFORE 8/10/2012)		EA	
8	031383-000	PIVOT PLATE ASM RH UP FOL BM	1	EA	
8	042386-000	FOL RH, 4 HOLE PIVOT PLATE KIT		EA	
Not Shown	NOTE	(MANUFACTURED BEFORE 8/10/2012)		EA	
9	005449-000	GASKET,ASM,36,BM FF VID# 602711707-17	1	EA	
NI	007572-000	DOOR ASM, FF 36 BM W/GASKET	1	EA	
NI	008788-000	DOOR ASM COMPLETE BM 36 FOL FF R	1	EA	
NI	003001-000	COVER, SCR, RBR, GRAY, FOL, BM	1	EA	

REFRIG INTERIOR ASSEMBLY





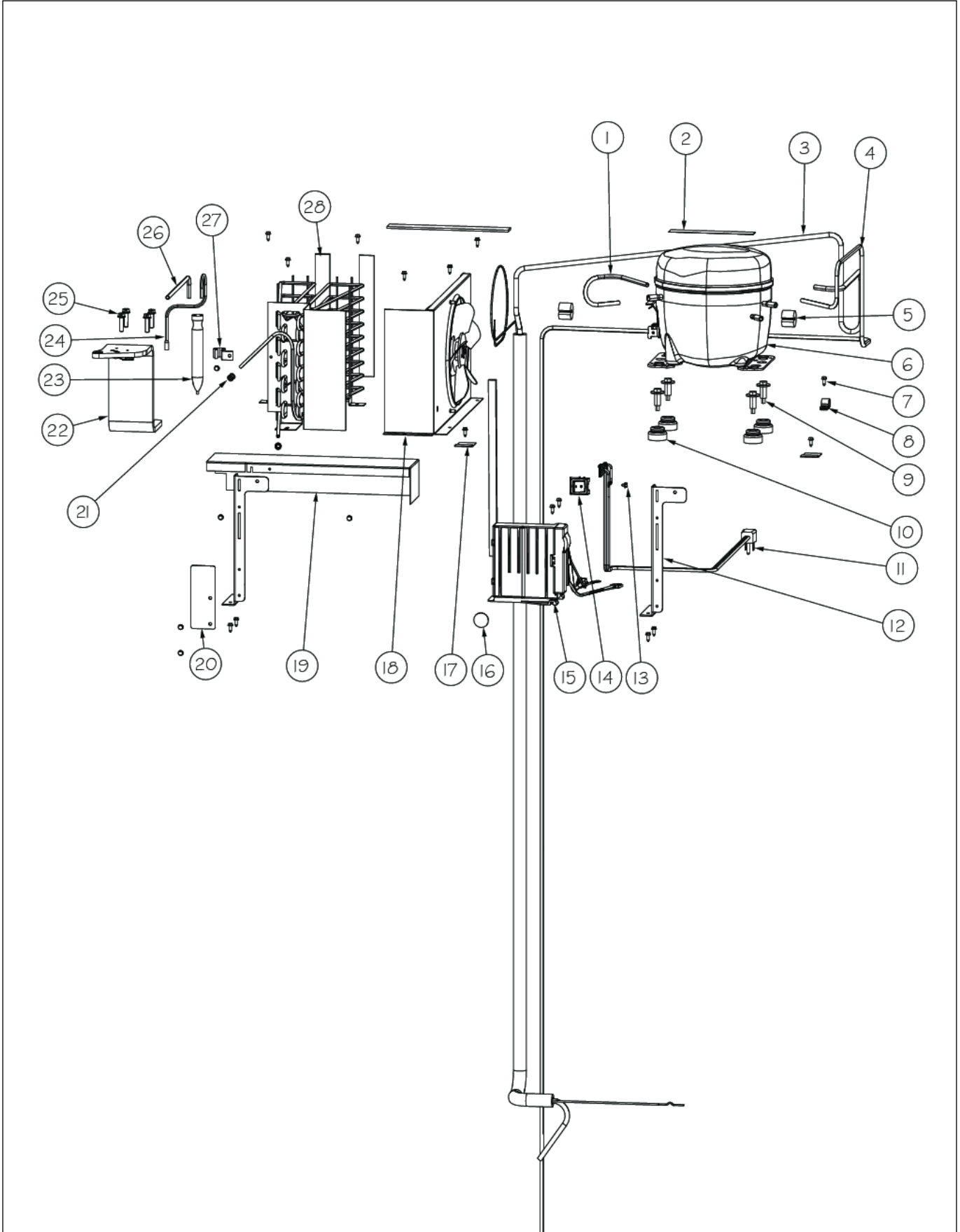
Item	Part No.	Name	Qty	Uom	NOTES
1	L20910705	BRACKET LIGHT AR 36	1	EA	
2	PE950125	LIGHT SOCKET	4	EA	
3	004528-000	LAMP, 40 WATT CLEAR LIGHT	4	EA	
4	PD020194	SCREW-SM	12	EA	
5	020123-000	COVER LIGHT ASM AF AR BM 36	1	EA	
6	004551-000	AXIAL FAN	1	EA	
Comments for Part Num. 004551-000					
gboltz@VikingRange.com on Jul 21, 2016					
View service bulletin TR-0052-SP before ordering fan, if applicable order kit instead of fan					
7	K2096475	FAN MOUNTING PLATE	1	EA	
8	M0221913	SCREW-SM	2	EA	
9	PD020195	SCR 8-18 X 5/8	3	EA	
10	12070201	CAP-R FAN COVER V12070201	1	EA	
11	M0238535	SCREW-SM	12	EA	
12	PM910351	SHELF ASM GLASS BM 36 FF	4	EA	
13	PK020074	LADDER SIDE BTM 36	2	EA	
14	12071501	LADDER-CTR CANT V12071501	1	EA	
15	G50911908	SHELF & SLIDE ASM 36 AR & 36 BM	1	EA	
16	012396-000	DRAWER,PRODUCE,ASM 36 AR/BM	2	EA	
17	PK930388	DUCT, MEATSAVOR REAR BM 36	1	EA	
18	M0211021	SCREW-SM	11	EA	
19	PK930286	SHELF MEATSAVOR AR/BM 36	1	EA	
20	PK930175	SUPPORT DRAWER MEAT SAVIOR SXS 42/48 R	1	EA	
21	M0581001	GROMMET-SCREW VM0581001	16	EA	
22	PK930283	DUCT MEATSAVOR SPACER	1	EA	
23	PK930172	COVER CONTROL MEAT SAVIOR	1	EA	
24	044384-000	DIAL CONTROL MEAT SAVIOR	1	EA	
25	PM910334	ROLLER TENSION	1	EA	





Item	Part No.	Name	Qty	Uom	NOTES
26	044232-000	DUCT MEAT SAVOR (R)	1	EA	
27	M0224128	SCREW-SM	1	EA	
28	PK930173	SUPPORT SLIDE MEAT SAVOR SXS 42/48 R	1	EA	
29	PD920162	SCR 8-16 PLASTITE PNP 1/4 S	6	EA	
30	PM910287	SLIDE MEAT SAVOR R	1	EA	
31	PK930278	DRAWER MEAT SAVOR AR BM 36	1	EA	
32	PM910288	SLIDE MEAT SAVOR L	1	EA	
<p>Comments for Part Num. PM910288</p> <p>profixappliances@gmail.com on May 3, 2017</p> <p>ITEM # 5 SHOULD BE PK930288-DOOR MEATSAVOR ASM AR/BM 36</p>					
33	PK930174	SUPPORT SLIDE MEAT SAVOR SXS 42/48 L	1	EA	
34	PK930284	DUCT MEATSAVOR LEFT	1	EA	
35	PK930176	SUPPORT DRAWER MEAT SAVOR 42/48 L	1	EA	
36	009916-000	MEAT SAVOR LID/DOOR 36AR/BM36	1	EA	
37	12070202	CAP-L FAN COVER V12070202	1	EA	
38	12067401	FAN COVER	1	EA	
39	PD020188	SCR 8-18 BT HXWS 1 1/2	2	EA	

SEALED SYSTEM ASSEMBLY





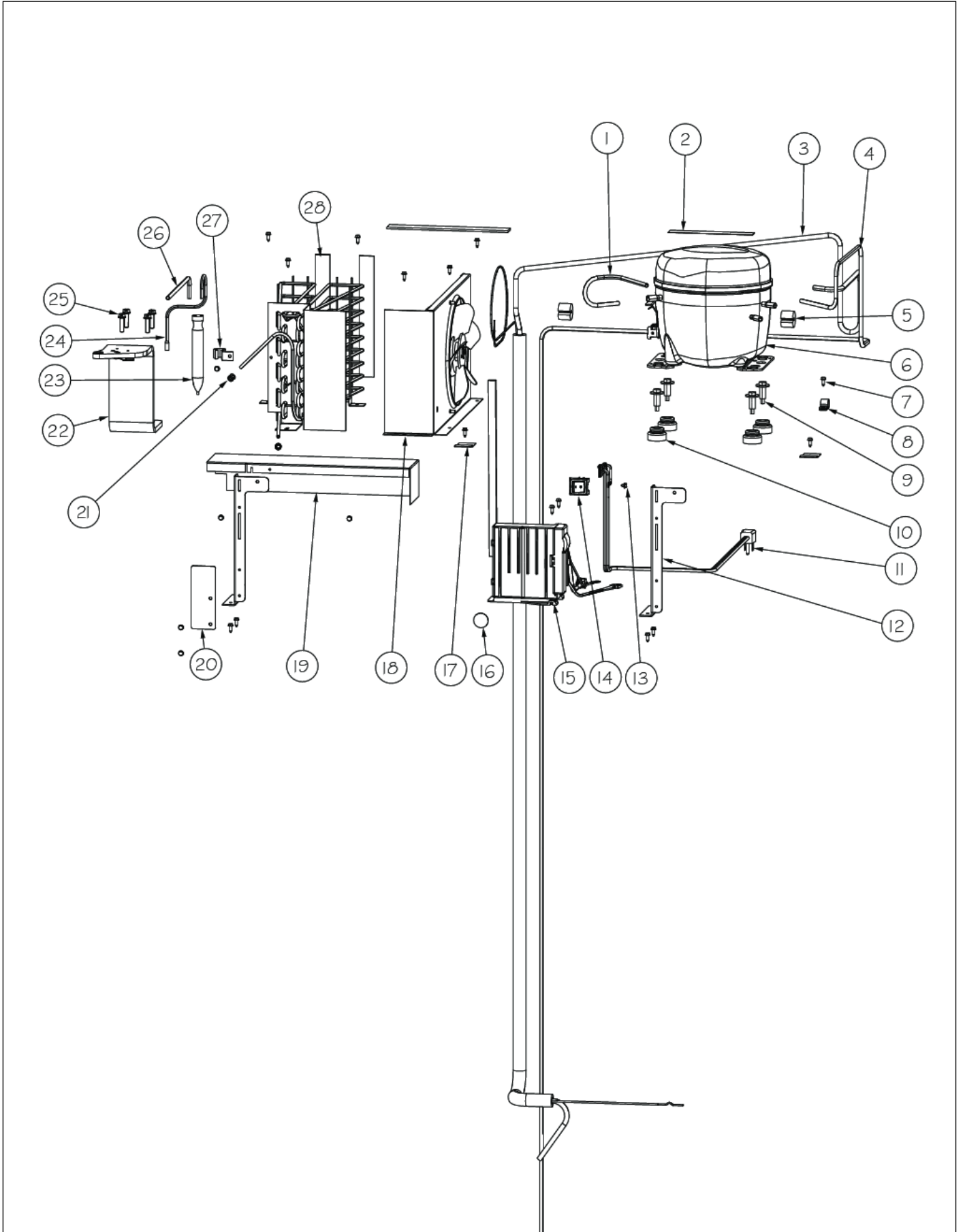
Item	Part No.	Name	Qty	Uom	NOTES
1	F2096507	TUBE-PROCESS GRN	1	EA	
2	C8982701	LABEL-COMP WARN	1	EA	
3	031006-000	HEAT EXCHANGER ASM BM 36	1	EA	
4	F296517	DISCHARGE TUBE 12414401	1	EA	Not available online / Call for pricing and availability
5	10699601	DAMPER-TUBING .8	2	EA	
6	PM010619	COMPRESSOR VCC AF	1	EA	
7	PD020194	SCREW-SM	20	EA	
8	PD030118	INSULATED CLAMP	1	EA	
9	M0221523	SCREW - SHLDR	4	EA	
10	10835901	GROMMET RUBBER V10835901	4	EA	
11	10916507	CORD-POWER 5 SERIES	1	EA	
12	K20912569	BRACKET GRILLE SUPPORT	2	EA	
13	M0211014	SCREW-SM	1	EA	Not available online / Call for pricing and availability
14	PE950149	SWITCH POWER	1	EA	
15	011666-000	INVERTER,CMPR,ASM	1	EA	

Comments for Part Num. 011666-000

gboltz@VikingRange.com on Aug 9, 2018

See 2018-01P Parts Bulletin

16	PF930682	LABEL WARNING INVERTER	1	EA	
17	K2096943	PANEL BRACKET	2	EA	
18	G5096494	COND. FAN ASSY	1	EA	
19	K20912361	DIVERTER AIR HI SIDE 36	1	EA	Not available online / Call for pricing and availability
20	000975-000	SUPPORT, FAN SWITCH	1	EA	
21	007407-000	RING,LOK, .187 DIA	2	EA	
22	G50914180	TOP HINGE ASM L 36 BM	1	EA	
22	G50914173	TOP HINGE ASM R 36 BM	1	EA	
23	030926-000	DRIER - HIGH SIDE	1	EA	





Item	Part No.	Name	Qty	Uom	NOTES
24	F2096669	TUBE-DRIER COND	1	EA	
25	000570-000	FASTENER, BOLT, 1/4-20 IHXWS 1" S ZN SER	4	EA	
26	F2097740	TUBE PROCESS	1	EA	
27	10547001	CLIP-DRIER V10547001	1	EA	
28	A3189370	GASKET-FOAM VA3189370	3	EA	



Appendix A:Pages Index

CONTROL ASSEMBLY 1
EXTERIOR ASSEMBLY 2
FREEZER DOOR ASSEMBLY 3
FREEZER INTERIOR ASSEMBLY 4
LOW SIDE ASSEMBLY 5
LOWER UNIT ASSEMBLY 6
MC COVER AND UPPER GRILLE ASSEM 7
REFRIG DOOR ASSEMBLY 8
REFRIG INTERIOR ASSEMBLY 9
SEALED SYSTEM ASSEMBLY 10



Appendix B:Parts Index

000147-002	2	044384-000	9
000247-000	5	044439-000	2
000570-000	10	057856-000	4
000975-000	10	057857-000	4
001091-000	4	058966-000	5
002035-000	7	060890-000	6
002313-000	3	060891-000	6
003001-000	8	10547001	10
003471-000	5	10656101	5
003995-000	4	10699601	6, 10
004528-000	4, 9	10835901	10
004551-000	6, 9	10916507	10
005319-000	1	12059901	5
005396-000	1	12063301	5
005449-000	8	12064001	1
005450-000	3	12067401	9
007407-000	10	12070201	9
007565-000	3	12070202	9
007569-000	8	12071501	9
007572-000	8	12074501	4
008254-000	3	12088001	4
008785-000	3	12102401	5
008788-000	8	A1017202	5
009916-000	9	A3030361	1
010491-000	1	A3189370	7, 10
011666-000	10	A4554806	6, 7
012396-000	9	A4554817	1, 6
015365-000	1	B20915627	6
019580-000	7	C8982701	10
019581-000	7	C8983701	5
020123-000	9	F2096507	10
030926-000	10	F2096549	6
031006-000	5, 10	F2096669	10
031383-000	8	F2097740	10
036882-000	8	F296517	10
036884-000	8	G30915956	8
042385-000	8	G3097171	3
042386-000	8	G50911850	4
042922-000	7	G50911853	6
044232-000	9	G50911908	9
		G50914173	10



G50914180	10	M0221523	10
G5096494	10	M0221913	9
G5099929	7	M0224128	1, 7, 9
K20910060	1	M0230028	7
K20910061	1	M0238535	9
K20912361	10	M0238846	1
K20912569	10	M0253916	4, 6
K20913040	6	M0274067	4
K20913788	6	M0288120	1
K20915000	1	M0581001	9
K20915675	7	M0585504	1
K20915902	7	M0585506	1
K20915952	6	PA970012	6
K2096475	9	PB070358	7
K2096943	10	PB970171	7
K2097168	5	PC020228	2
K2097169	5	PC020249	2
K2097172	5	PC020285	8
K2098044	6	PC020286	8
K2098096	6	PC020287	8
K2098398	5	PC040010	1, 1, 7
K2098654	1	PC080025	4
K2099402	1	PC080027	4
K2099455	7	PC080028	4
K2099459	7	PC080030	4
K2099460	7	PC920170	2
K2099471	7	PD020013	1
K2099931	7	PD020038	5
K2099933	7	PD020188	9
L20910705	9	PD020193	5
L20914124WH	6	PD020194	1, 4, 7, 7, 9, 10
L21910017	5	PD020195	9
M0104102	6	PD020233	7
M0104106	1, 6	PD020274	6
M0211014	5, 10	PD030118	10
M0211018	5	PD030146	6
M0211021	9	PD040157	7
M0213105	5	PD920125	4
M0213147	7	PD920162	9
M0215318	2, 7	PD920174	4, 8
M0220417	6	PE050248	6



PE070728	1	PM910348	7
PE950122	1	PM910349	7
PE950125	4, 9	PM910351	9
PE950149	10	PM910418	7
PE950153	5	PM910429	7
PE970464	1	V12097404	8
PE970609	1		
PF031267	6		
PF930487	1		
PF930523	7		
PF930682	10		
PJ910030	5		
PK020074	9		
PK030459	1		
PK050004	7		
PK920066	2		
PK930056	4		
PK930172	9		
PK930173	9		
PK930174	9		
PK930175	9		
PK930176	9		
PK930278	9		
PK930283	9		
PK930284	9		
PK930286	9		
PK930348	6		
PK930388	9		
PM010581	6, 7		
PM010582	7		
PM010619	10		
PM010622	4		
PM010630	4		
PM910071	7		
PM910084	7		
PM910168	5		
PM910172	4		
PM910178	5		
PM910287	9		
PM910288	9		
PM910334	9		