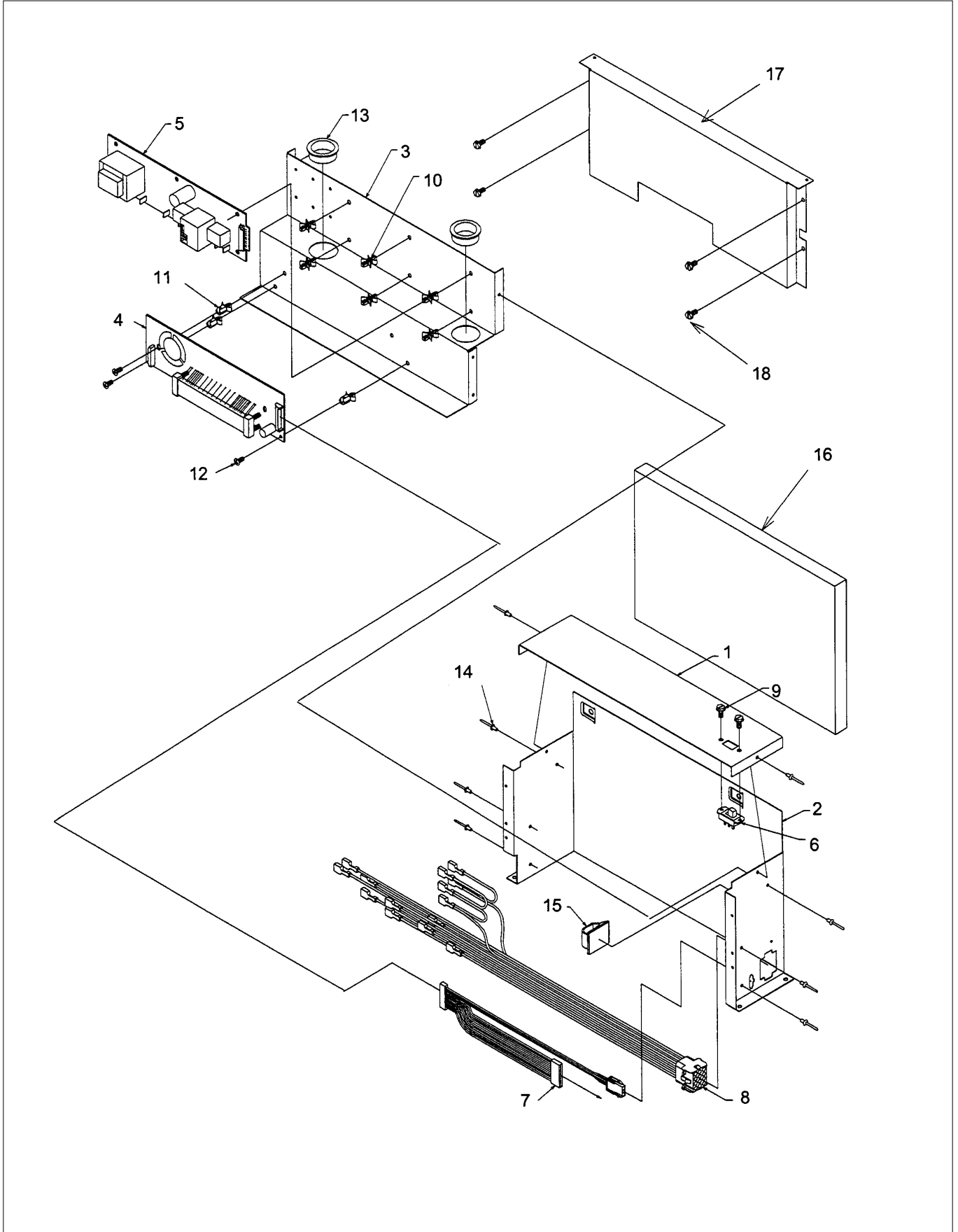


DFBB362

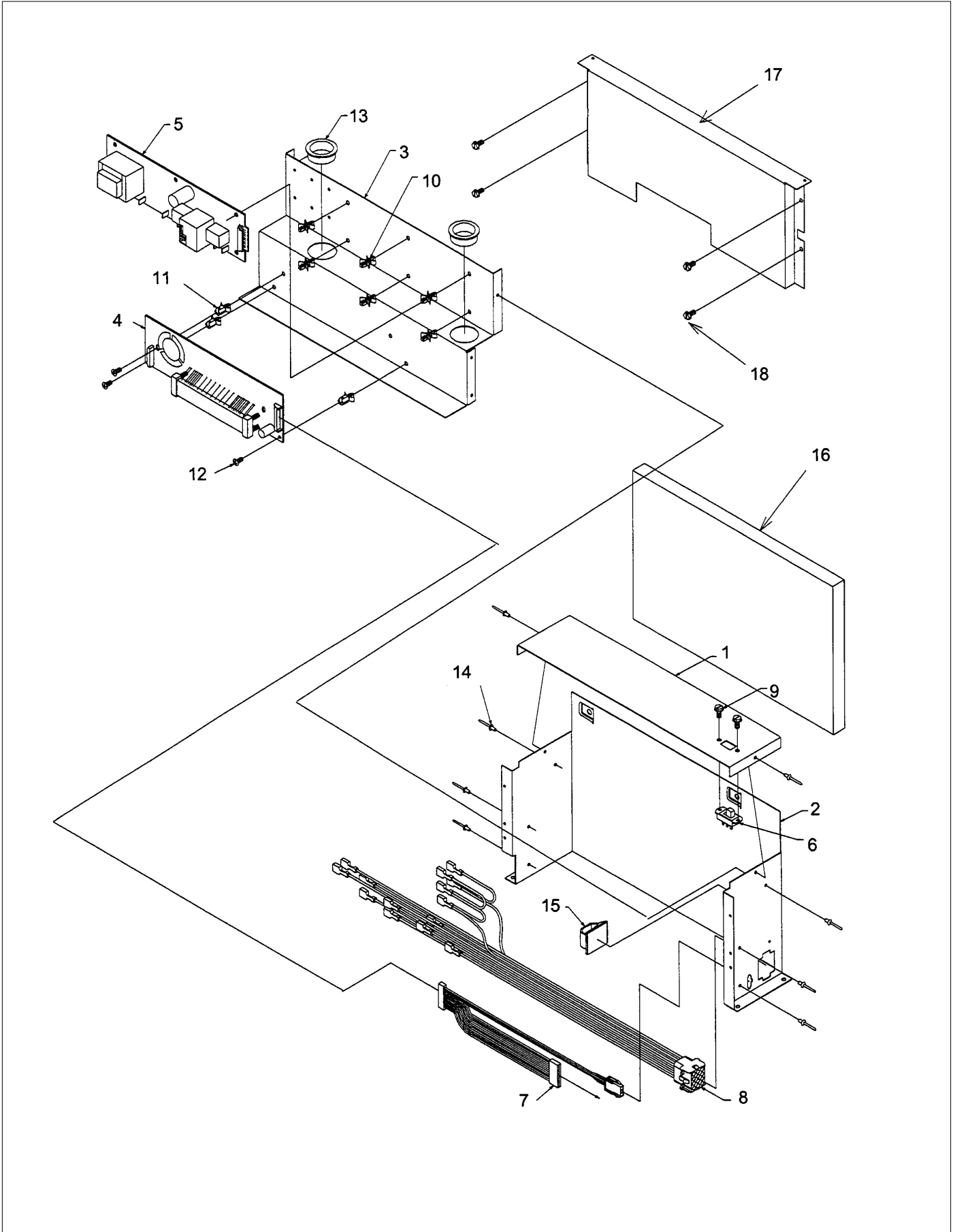
CONTROL ASSY	1
DOOR ASSY	2
DRAWER	3
EVAPORATOR AREA	4
FLOW CHART NO COMPRESSOR	5
LADDERS	6
ROLLER ASSY	7
SHELVING	8
TOP HINGES	9
UPPER GRILLE	10
Appendix A:Pages Index	A
Appendix B:Parts Index	B

CONTROL ASSY





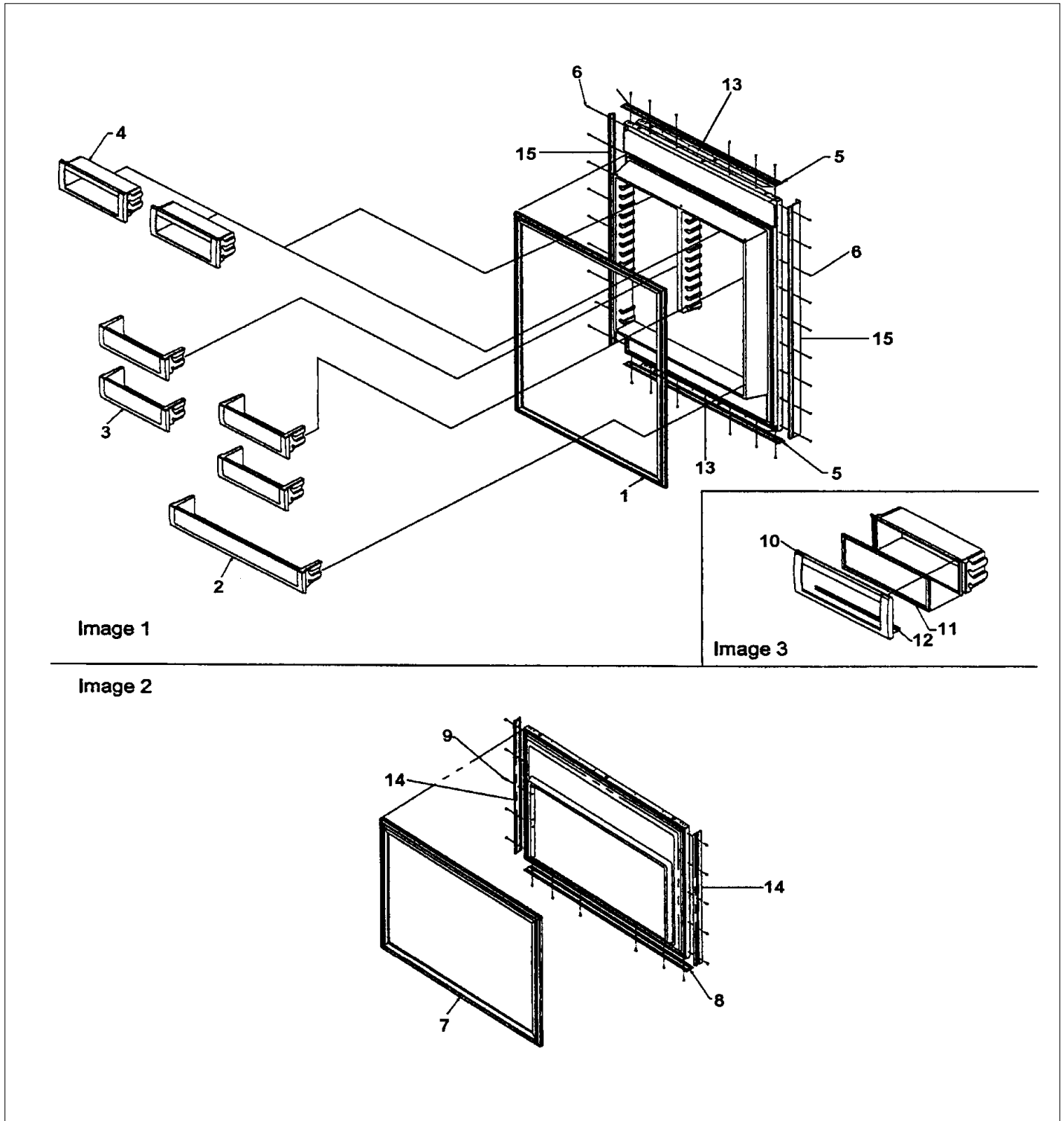
Item	Part No.	Name	Qty	Uom	NOTES
1	K2096429	SUB TO K2098657 - TOP-CONT BOX 12090801		EA	NO LONGER AVAILABLE
2	K2097709	BOX CONTROL		EA	NO LONGER AVAILABLE
3	K2096430	BRKT-PC 12090901		EA	NO LONGER AVAILABLE
4	002670-000	LOW VOLTAGE BOARD KIT W/HARNESS		EA	
Comments for Part Num. 002670-000 boltz on Apr 12, 2018 See TR-0022-SP Bulletin					
Not Shown	NOTE	BEFORE 01/22/05		EA	
Not Shown	PE070728	BOARD LOW VOLTAGE		EA	
Comments for Part Num. PE070728 bradleysapplianceservice@shaw.ca on Apr 27, 2016 COULD ALSO USE: 002670-000 LOW VOLTAGE BOARD KIT ANALOG - INCLUDES WIRE HARNESS					
Not Shown	NOTE	ON OR AFTER 1/22/05		EA	
5	005319-000	POWER CONTROL BOARD ASM 5 SERIES		EA	
Comments for Part Num. 005319-000 boltz on Apr 12, 2018 See TR-0056-SP Bulletin					
6	10544502	SWITCH-SLIDE GRN		EA	
7	PE970464	HARNESS LOW VOLT 5 SERIES		EA	
8	PE970465	HARNESS HIGH VOLT		EA	
9	M0223816	SCREW-TR		EA	NO LONGER AVAILABLE
10	M0585504	SUPPORT		EA	
11	M0585506	SUPPORT		EA	
12	PD020013	TYPE "AB" #6 X 3/8 PH PAN HD. SMS		EA	
13	A4554817	BUSHING-SNAP VA4554817		EA	





Item	Part No.	Name	Qty	Uom	NOTES
14	A4539601	DAMPER-TUBING .8		EA	Not available online / Call for pricing and availability
15	M0104106	CLIP-CORD VM0104106		EA	
16	12074703	INSUL-CONT BOX V12074703		EA	NO LONGER AVAILABLE, Not available online / Call for pricing and availability
17	K2096431	FRONT-CONT PANEL 12091001		EA	
18	M0238616	SCREW, SMALL		EA	
#	M0288120	NUT-SPEED VM0288120		EA	

DOOR ASSY



Item	Part No.	Name	Qty	Uom	NOTES
1	V10933001	GASKET, REF DOOR		EA	Not available online / Call for pricing and availability
2	V12039701	Door Shelf Assy		EA	Not available online / Call for pricing and availability
3	12055401	Door Shelf Assy		EA	
4	V12097404	Dairy Module Asm (BM)		EA	
5	V12493704	TRIM, REF DOOR TOP & BOTTOM		EA	Not available online / Call for pricing and availability
6	M0210458	Screw, SM		EA	
7	001904-000	SERV. FREEZER GASKET FACE CHARGE		EA	
8	V12493702	TRIM, FREEZOR DOOR TOP & BOTTOM		EA	Not available online / Call for pricing and availability
9	M0210458	Screw, SM		EA	
10	V12097404	Dairy Module Asm (BM)		EA	
11	V12097404	Dairy Module Asm (BM)		EA	
12	V12097404	Dairy Module Asm (BM)		EA	
13	VM0202321	SCREW, MACHINE		EA	Not available online / Call for pricing and availability
14	VM0204303	SCREW, MACHINE		EA	Not available online / Call for pricing and availability
15	PM910099	FRAME DOOR BM TOP/BTM 12063501 - NLA		EA	
16	PM910100	FRAME DOOR BM FZ SIDE 12063502		EA	NO LONGER AVAILABLE
17	PM910101	FRAME DOOR BM FF SIDE 12063503		EA	
#	V10921220	INSULATION - REFRIGERATOR		EA	Not available online / Call for pricing and availability
#	V10921223	INSULATION - FREEZER		EA	Not available online / Call for pricing and availability

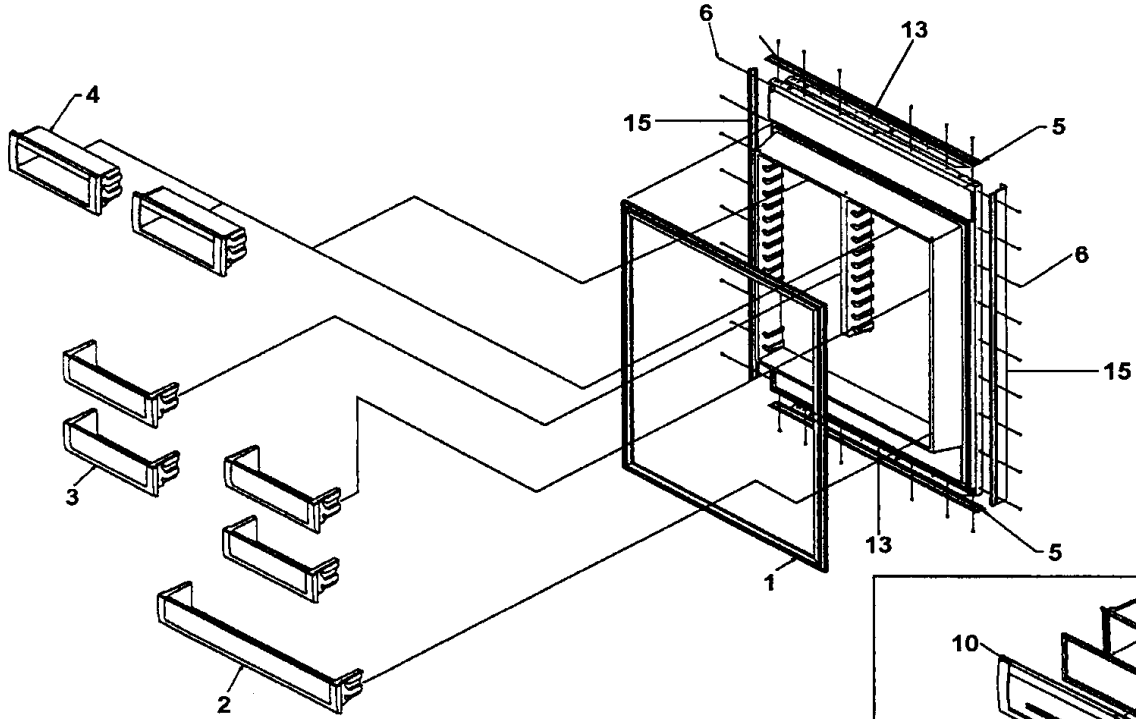


Image 1

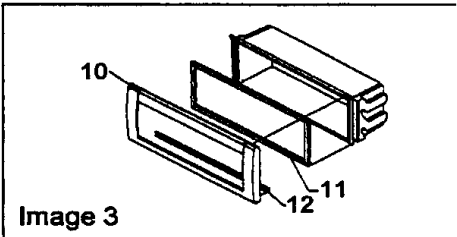
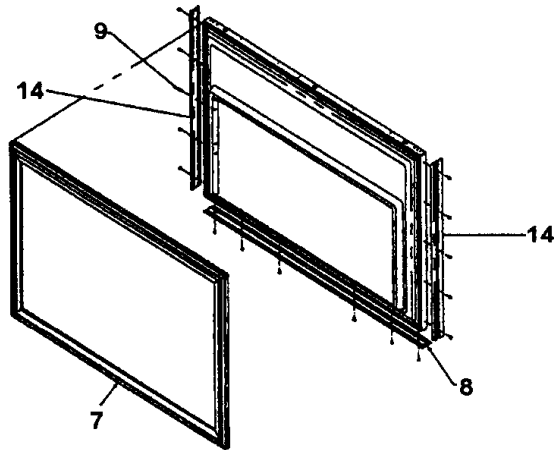


Image 3

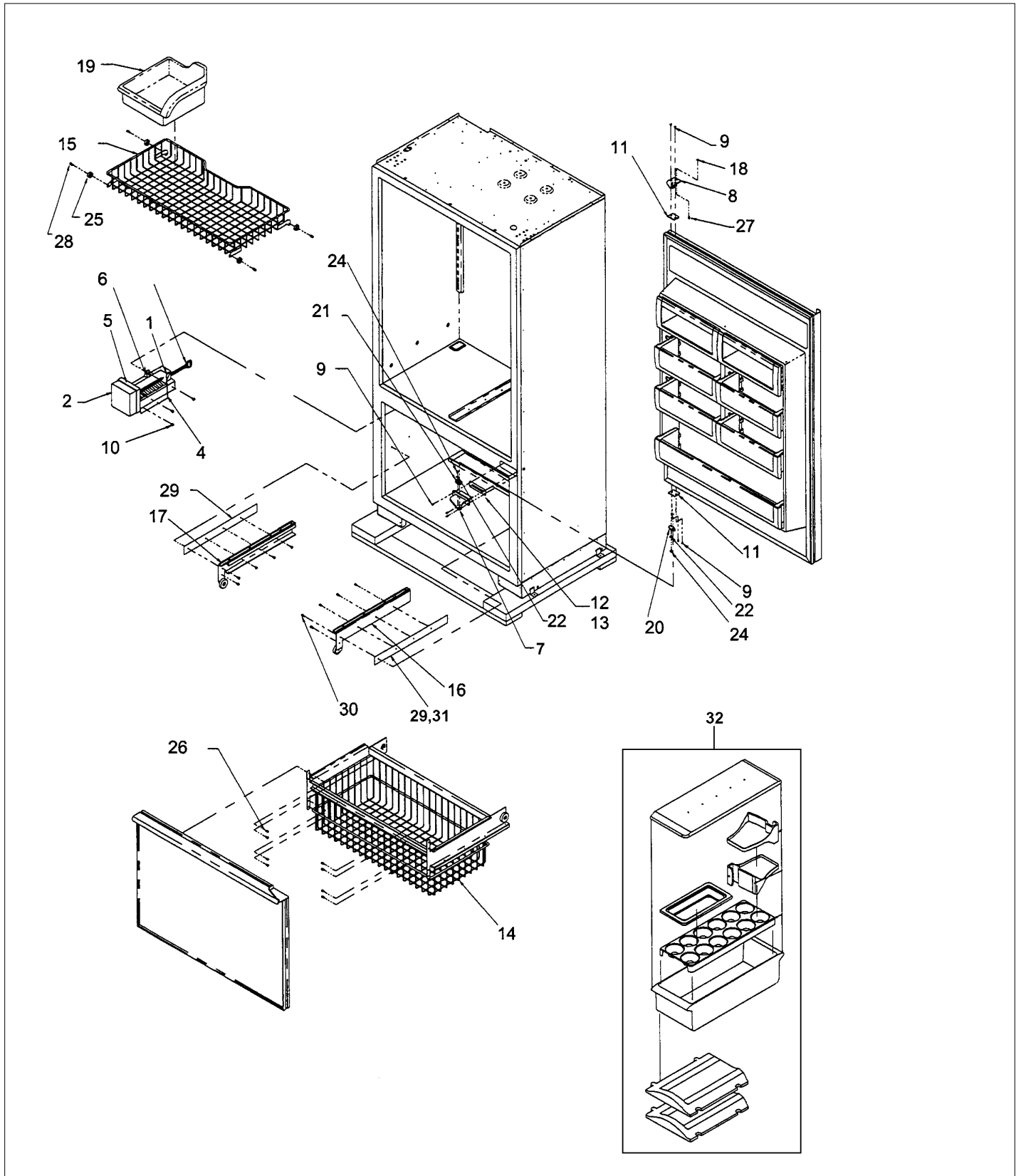
Image 2





Item	Part No.	Name	Qty	Uom	NOTES
#	PM910094	Screw Cover Insert, Top/Btm (Ref.) - Btm (Frz.)		EA	
#	PM910095	Screw Cover Insert, Side (Frz.)		EA	
#	PM910096	Screw Cover Insert, Side (Ref.)		EA	
#	PM910116	INSERT 36 BM FZ TOP R		EA	
Not Shown	PM910117	INSERT 36 BM FZ TOP L		EA	
#	G5096541	REF DOOR ASSY 12061403		EA	
#	G3296543	FZ DOOR ASSY 12061505		EA	
#	PE030166	Handle, Freezer Door - SS		EA	
Not Shown	PE030166PVD	Handle, Freezer Door - BR		EA	Not available online / Call for pricing and availability

DRAWER



Item	Part No.	Name	Qty	Uom	NOTES
1	PD030155	CLIP-IM FILL CUP	1	EA	
2	V10519806V	COVER-IM	1	EA	Not available online / Call for pricing and availability
3	023112-000	HARNESS,ICE MAKER	1	EA	
4	12505401	ARM-IM SHUT OFF	1	EA	Not available online / Call for pricing and availability
5	G50911858	ICE MAKER ASM, NLA, order components, see TR-0023C-SP	1	EA	NO LONGER AVAILABLE

Comments for Part Num. G50911858

jennifer@thetrend.com on Feb 12, 2016

It would be nice to have the ice maker in the right location. Even better if it gave the right part number.

vharding68@verizon.net on Mar 16, 2016

Doesn't matter where it is or the part number....There has been a bulletin on these ice makers since November of 2007 (Btw...it is superseded by another bulletin that is prior to that date).

Bulletin number TR-0023B-SP

Val @ bob's, pa

bradleysapplianceservice@shaw.ca on Sep 1, 2016

SERVICE BULLETIN: TR-0023B-SP

SUBS TO:

002252-000 ICE MAKER MODULE

002251-000 ICE MAKER BAIL ARM

002253-000 ICE MAKER WIRE HARNESS

platinumcares@aol.com on Dec 4, 2017

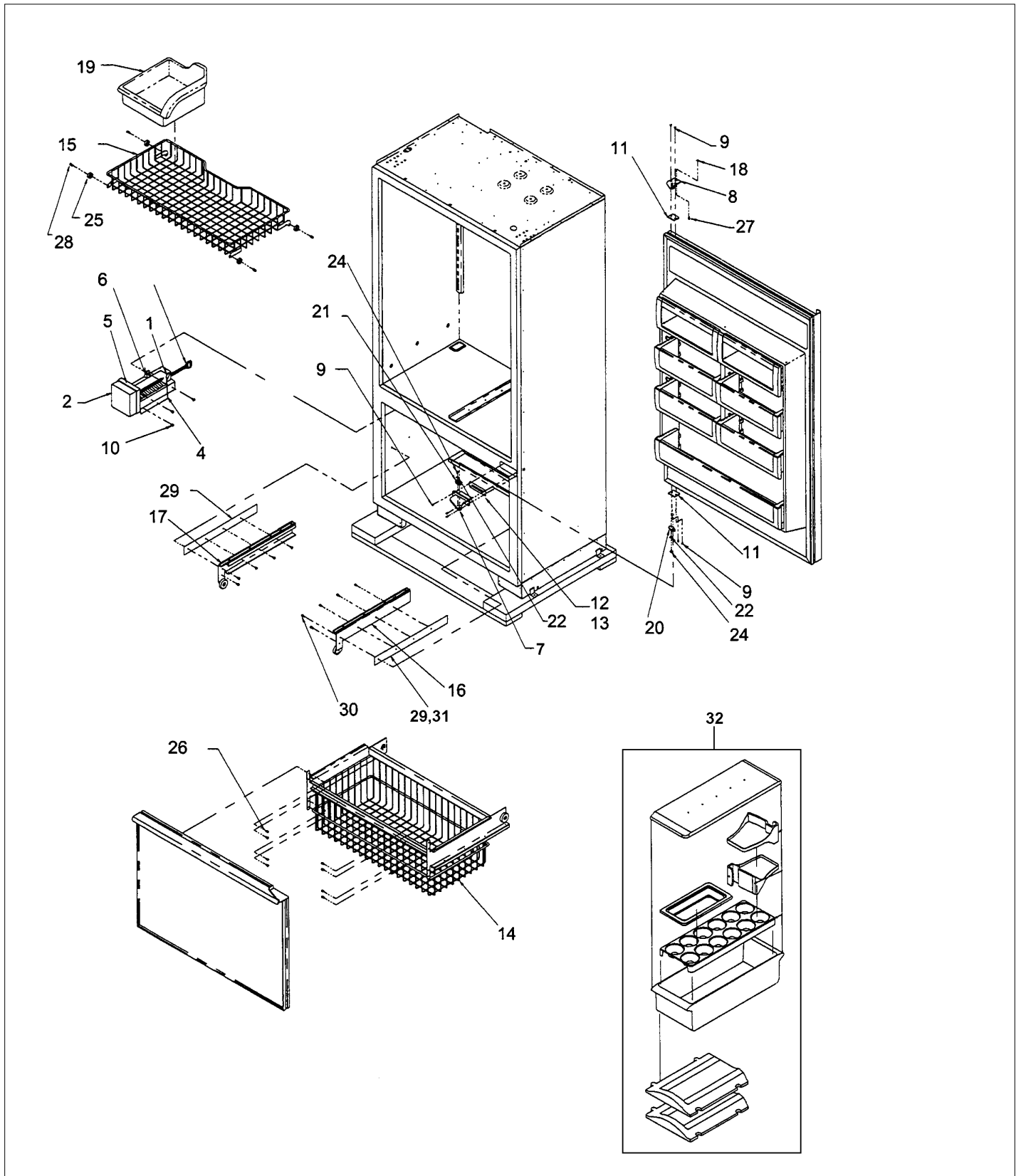
i/m assy #002252-000

wire harness 002253-000

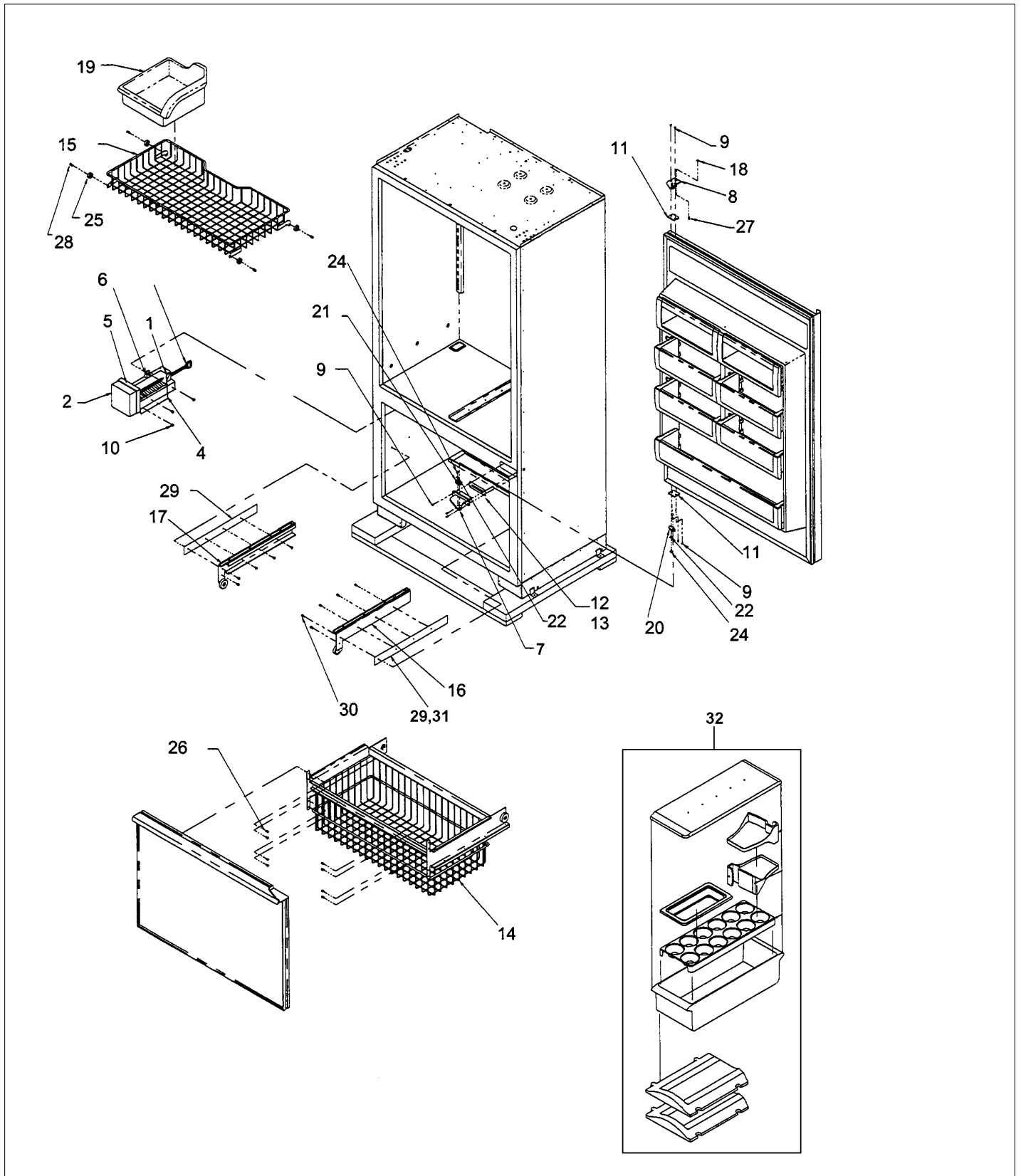
arm # 002251-000

you will need all three

6	10526701	CLAMP-WIRE V10526701	1	EA	
7	12043006	LH CTR. HINGE ASSY	1	EA	Not available online / Call for pricing and availability
12043004	PC020250	HINGE ASM, LOWER, BM, RH (PRO/DES)	1	EA	



Item	Part No.	Name	Qty	Uom	NOTES
8	PC920049	PIVOT PL ASSY, LH UP DFBB/DFSB	1	EA	
Not Shown	PC920047	PIVOT PL ASSY, RH UP	1	EA	
9	M0226233	SUB TO PD920174 - 10 X 7/8 PHILLIPS SMA TRI LOBE SA	1	EA	
10	M0211018	SCREW-SM	1	EA	
11	M6096628	SPCR HINGE REP V12530201/V12493901	1	EA	
12	12068402	SHIM, CENTER HINGE	1	EA	Not available online / Call for pricing and availability
13	K10911852	SHIM-CENTER HINGE	1	EA	
14	G5096548	BOTTOM BASKET ASSY	1	EA	
15	12234601	BASKET-TOP FZ	1	EA	NO LONGER AVAILABLE
16	G5096594	R BRACKET ASSY - RPLCS J9096618WH	1	EA	
17	G5096595	L BRACKET ASSY - RPLCS J9096619WH - NLA	1	EA	
18	40370P01	NYLON FLAT WASHER V40370P01	1	EA	
19	005795-000	PAN,ICE,AF AR 30 36	1	EA	
20	PC020296	CAM DOOR CLOSURE TOP BLACK	1	EA	
21	12055601	CLOSURE, DOOR	1	EA	Not available online / Call for pricing and availability
22	M0272803	WASHER-LOCK	1	EA	
23	M0238616	SCREW, SMALL	1	EA	
24	M0202528	SCREW-MACH #	1	EA	
25	12088001	ROLLER-UP BSKT	1	EA	
26	023005-000	SCREW-TF	1	EA	
27	M0220928	SCREW, SHOULDER	1	EA	
28	PD020189	SHSCR 12/28 AB SKT .641	1	EA	
29	12131902	SHIM, FZ BASKET	1	EA	Not available online / Call for pricing and availability





Item	Part No.	Name	Qty	Uom	NOTES
30	PD920174	10X7/8 PHILLIPS SMA TRI LOBE SA	1	EA	
31	PK930042	SPACER, GLIDE, BM	1	EA	
NI	B5720304	CLIP VB5720304	1	EA	
NI	M0210443	SCREW-E SM VM0210443	1	EA	
NI	M0224416	SCREW-SM	1	EA	
NI	C9096579BK	SUB TO G5096604 - TOE GRILLE-12064306	1	EA	NO LONGER AVAILABLE, Not available online / Call for pricing and availability
NI	G5096604	36" TOE GRILLE ASSY REPL 12064406	1	EA	
NI	PC920043	PIVOT PL ASSY, RH LW DFBB	1	EA	
NI	PC920045	PIVOT PL ASSY, LH LW	1	EA	
NI	PC920040	RC LOWER HINGE ASSY, LH DFBB	1	EA	
PC92003 7	PC920170	HINGE ASM LOWER BM FO RH	1	EA	
32	019244-000	ACCESSORY, ASM	1	EA	

EVAPORATOR AREA

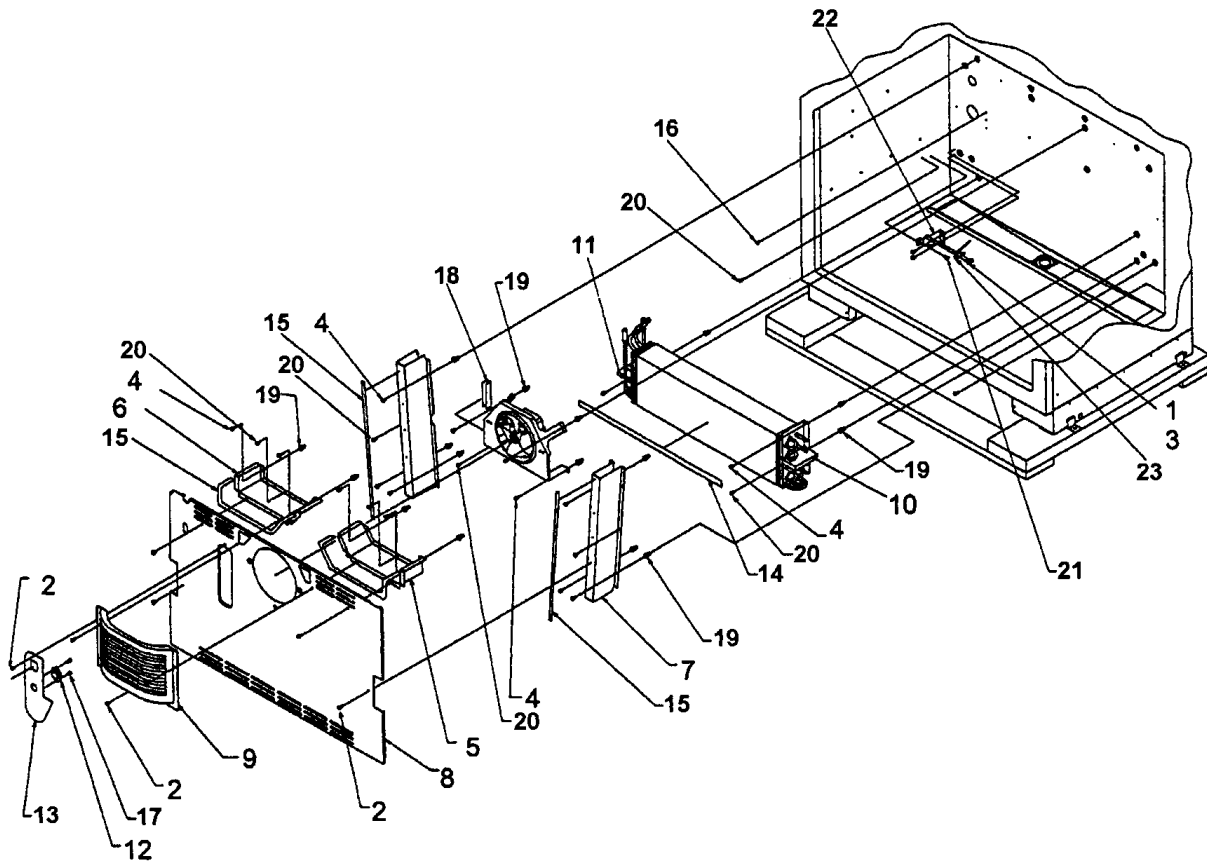


Image 1

Image 2

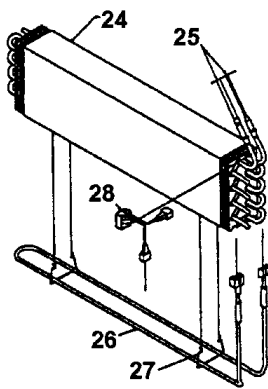
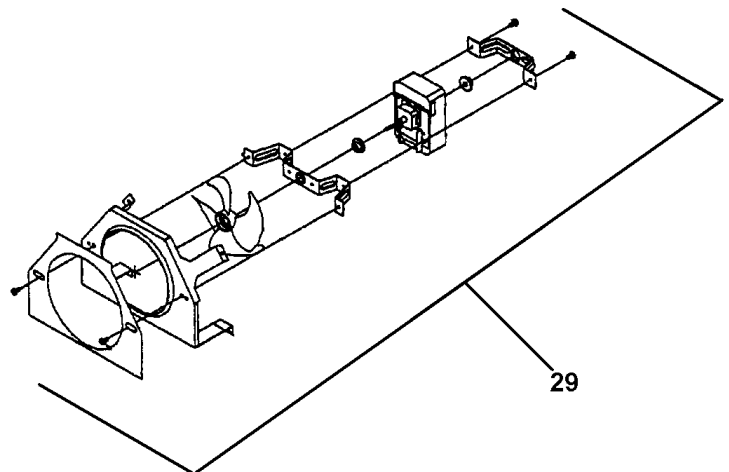


Image 3





Item	Part No.	Name	Qty	Uom	NOTES
1	M0322202	TIE-WIRE	1	EA	
2	M0211018	SCREW-SM	1	EA	
3	M0213105	SCREW-SM	1	EA	
4	M0238616	SCREW, SMALL	1	EA	
5	K2096575	BRACKET R DIVIDER	1	EA	NO LONGER AVAILABLE, Not available online / Call for pricing and availability
6	K2096576	BRKT-L DIVIDER 12065606	1	EA	NO LONGER AVAILABLE, Not available online / Call for pricing and availability
7	K2096577	CHANNEL, RTN AIR	1	EA	NO LONGER AVAILABLE, Not available online / Call for pricing and availability
8	C9096578WH	EVAPORATOR COVER 36"	1	EA	
9	12063301	COVER-FZ FAN V12063301	1	EA	
10	12067201	BLOCK, RH EVAP	1	EA	Not available online / Call for pricing and availability
11	12067301	BLOCK-L EVAP V12067301	1	EA	
12	C8983701	THERMISTOR	1	EA	
13	PK930232	COVER FZ SWITCH	1	EA	
14	A3189348	GASKET-FOAM VA3189348	1	EA	
15	A3030335	GASKET VA3030335	1	EA	NO LONGER AVAILABLE
16	M0232903	SCREW-SE	1	EA	NO LONGER AVAILABLE
17	M0211014	SCREW-SM	1	EA	Not available online / Call for pricing and availability
18	A3189370	GASKET-FOAM VA3189370	1	EA	
19	M0581001	GROMMET-SCREW VM0581001	1	EA	
20	M0232929	SCREW-SE	1	EA	
21	M0224416	SCREW-SM	1	EA	
22	K2096589	BRACKET, SW MNT	1	EA	

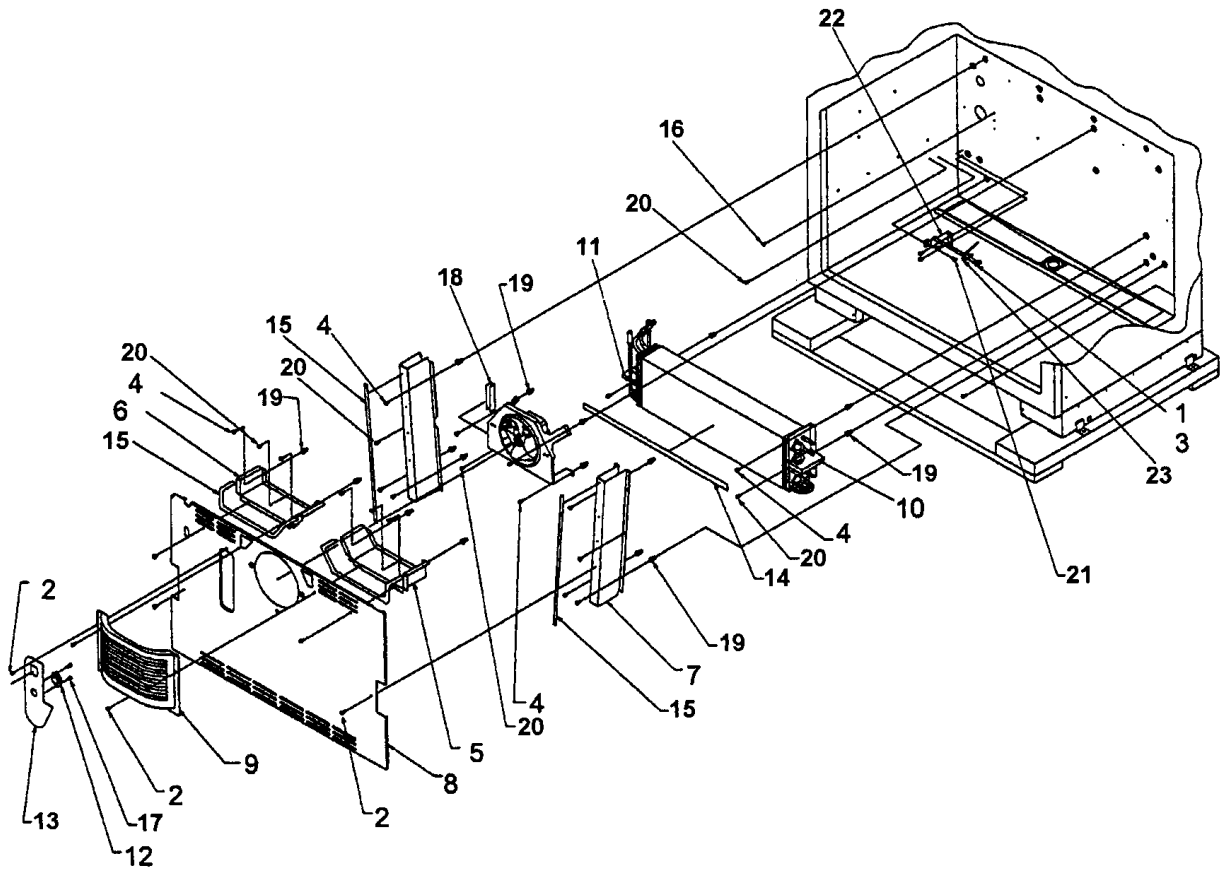


Image 1

Image 2

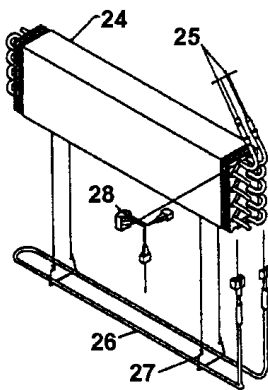
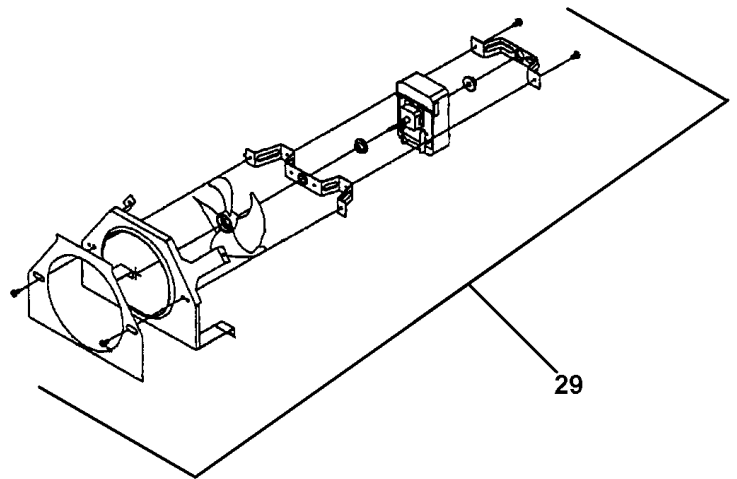


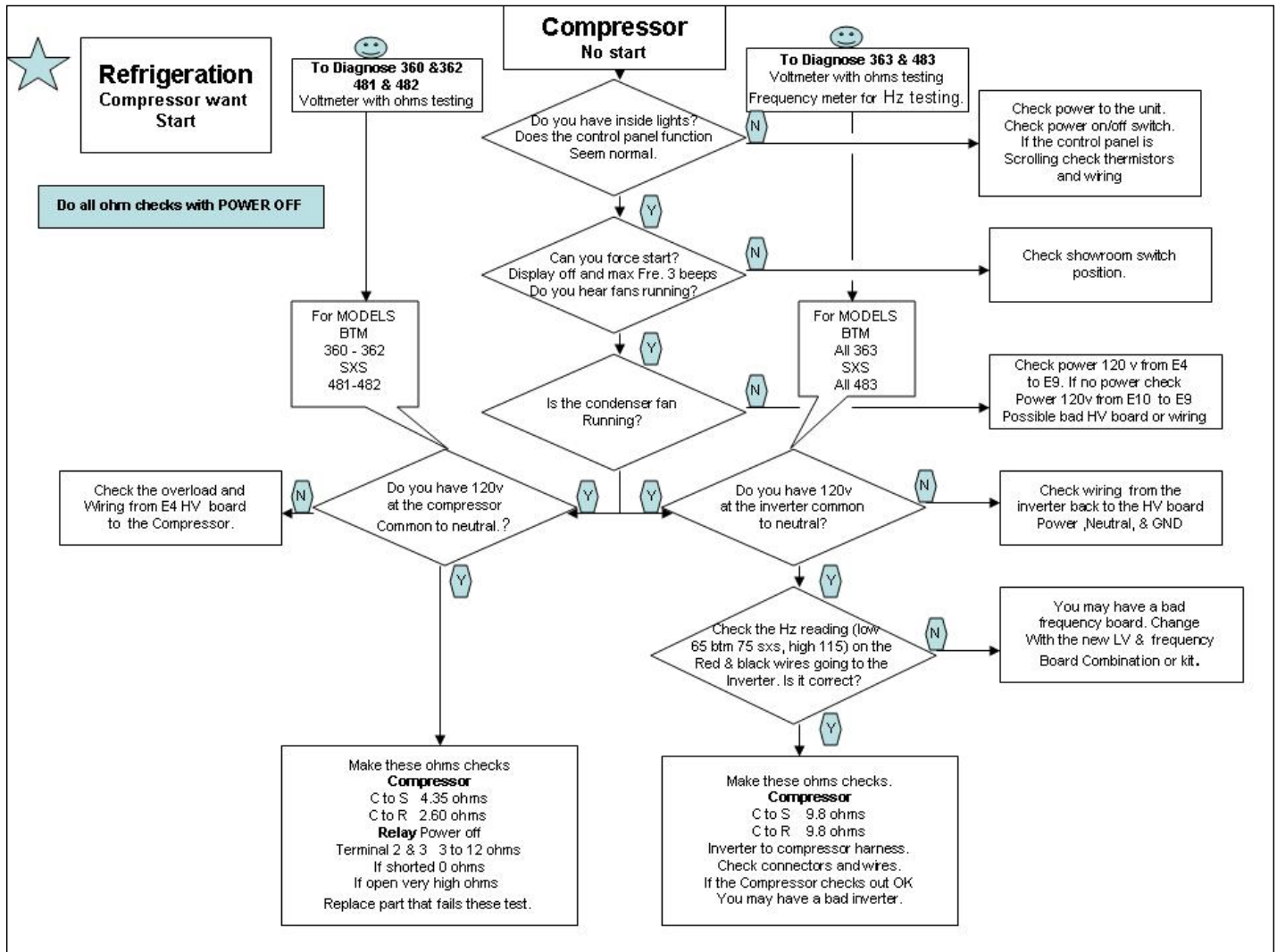
Image 3





Item	Part No.	Name	Qty	Uom	NOTES
23	12401402	SWITCH, FAN	1	EA	
24	PM910178	BOTTOM MOUNT EVAP	1	EA	
25	031006-000	HEAT EXCHANGER ASM BM 36	1	EA	
26	10428409	HEATER, EVAP	1	EA	Not available online / Call for pricing and availability
27	10428101	CLIP-EVAP HTR V10428101	1	EA	
28	058966-000	THERMOSTAT, SNAP ACTION, 55 OPEN 20 CLOSE	1	EA	
29	G5096546	36" EVAP FAN ASSY - REPL 12062401	1	EA	
NI	10851306	INSULATION - TUBING	1	EA	Not available online / Call for pricing and availability
NI	016774-000	SECONDARY DRAIN TROUGH KIT	1	EA	

FLOW CHART NO COMPRESSOR



LADDERS

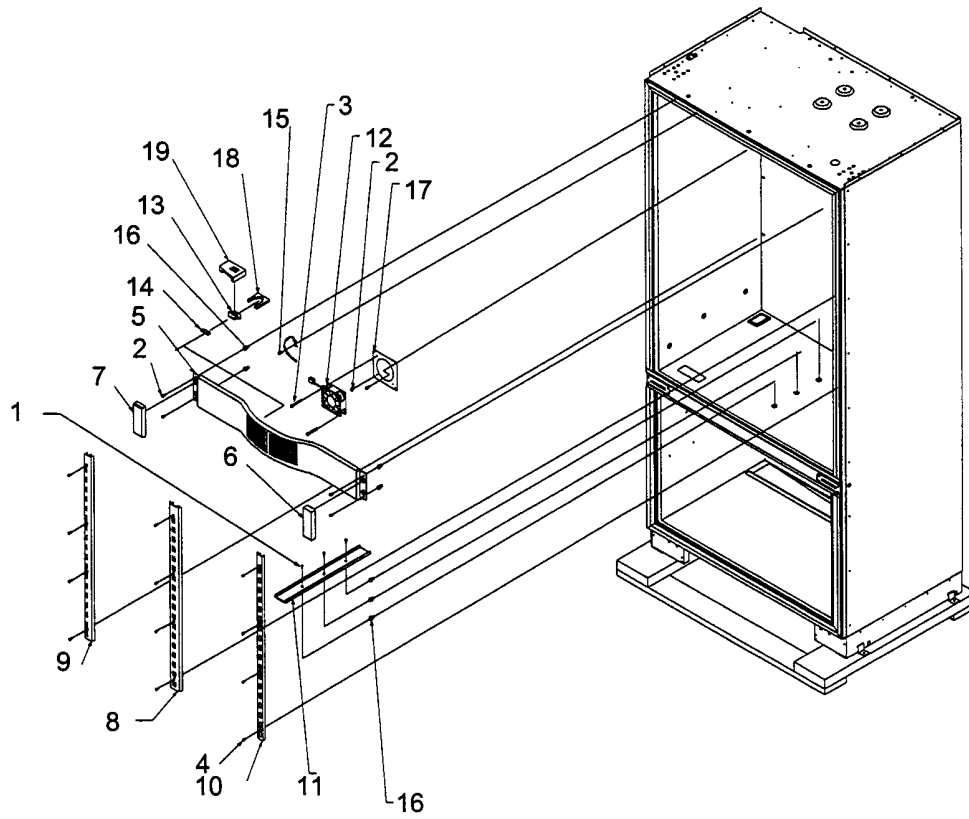
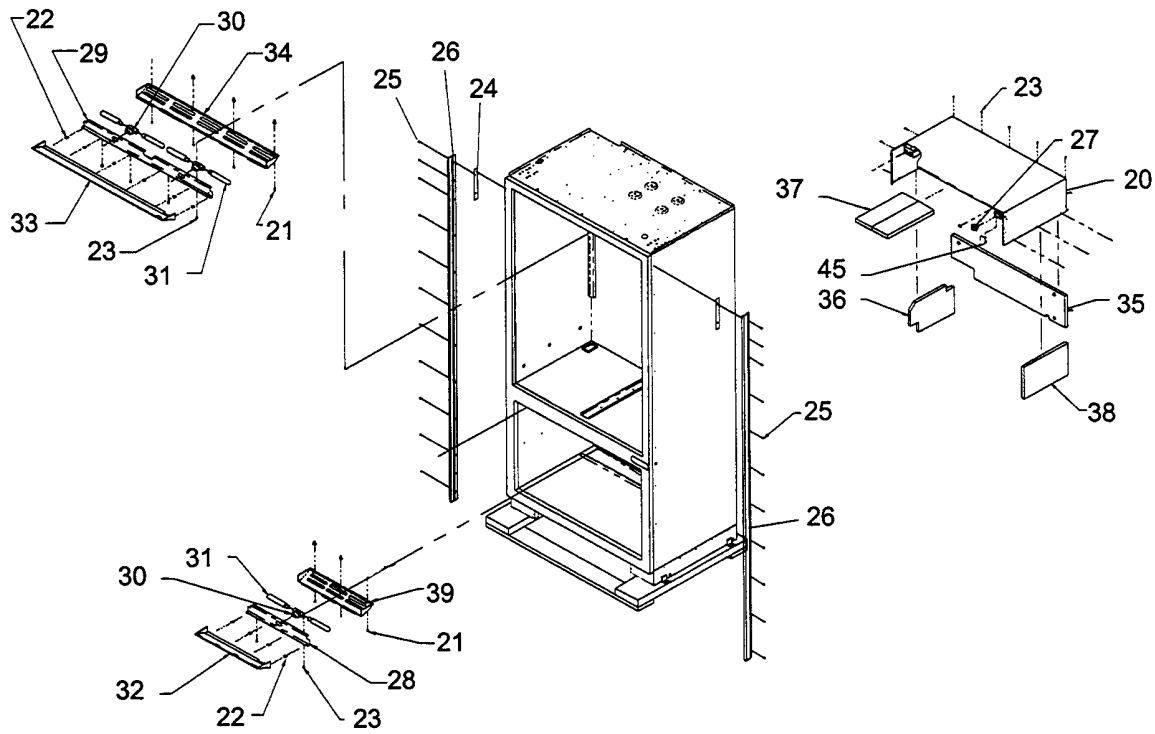


Image 1

Image 2





Item	Part No.	Name	Qty	Uom	NOTES
1	M0211019	SCREW, SM	1	EA	Not available online / Call for pricing and availability
2	M0211018	SCREW-SM	1	EA	
3	M0218137	SCREW-SM	1	EA	
4	M0234005	SCREW-TF	1	EA	
5	12067401	FAN COVER	1	EA	
6	12070201	CAP-R FAN COVER V12070201	1	EA	
7	12070202	CAP-L FAN COVER V12070202	1	EA	
8	12071501	LADDER-CTR CANT V12071501	1	EA	
9	12071601	LADDER-L SIDE CANT V12071601	1	EA	NO LONGER AVAILABLE
10	12071701	SUB TO PK020074 - LADDER-R SIDE CANT	1	EA	NO LONGER AVAILABLE
11	12118901	TRACK-DELI DRAWER	1	EA	
12	004551-000	AXIAL FAN	1	EA	
<p>Comments for Part Num. 004551-000</p> <p>gboltz@VikingRange.com on Jul 21, 2016</p> <p>View service bulletin TR-0052-SP before ordering fan, if applicable order kit instead of fan</p>					
13	C8983701	THERMISTOR	1	EA	
14	12090301	CLIP-S V12090301	1	EA	
15	M0232903	SCREW-SE	1	EA	NO LONGER AVAILABLE
16	M0581001	GROMMET-SCREW VM0581001	1	EA	
17	K2096475	FAN MOUNTING PLATE	1	EA	
18	12404901	GASKET-THERM V12404901	1	EA	
19	12406001	INSULATION, THERMAL	1	EA	Not available online / Call for pricing and availability
20	G3096601	MC COVER WELD	1	EA	NO LONGER AVAILABLE, Not available online / Call for pricing and availability
21	M0238846	SCREW-SHLDR	1	EA	

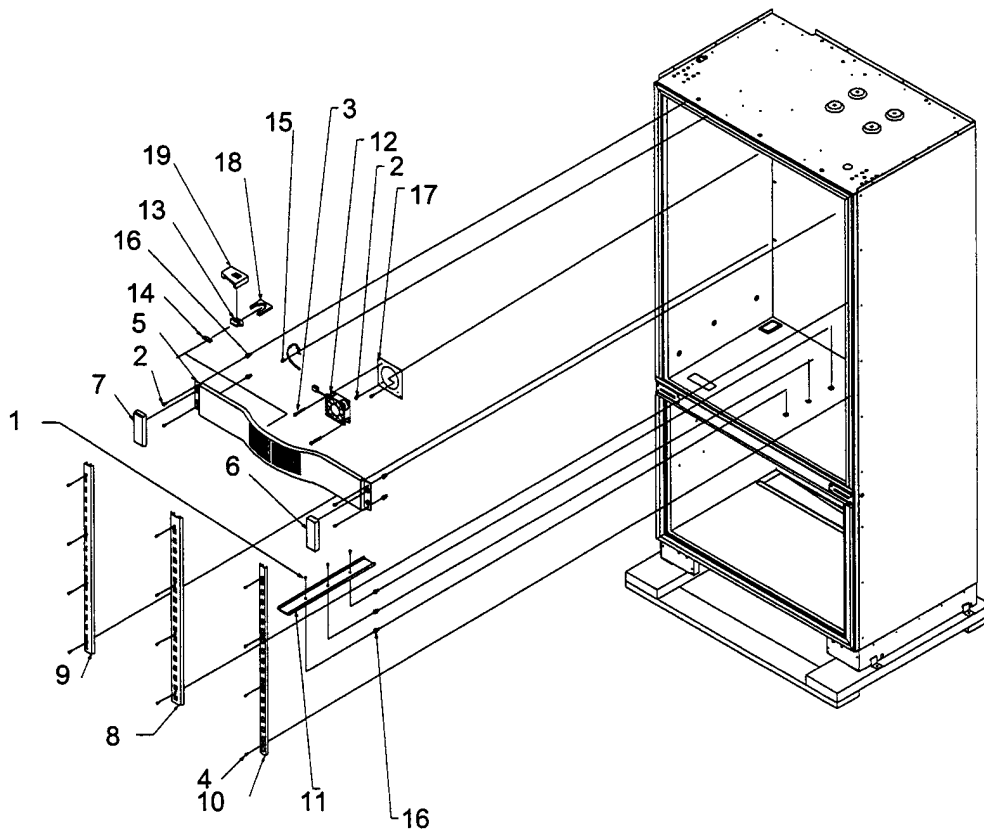
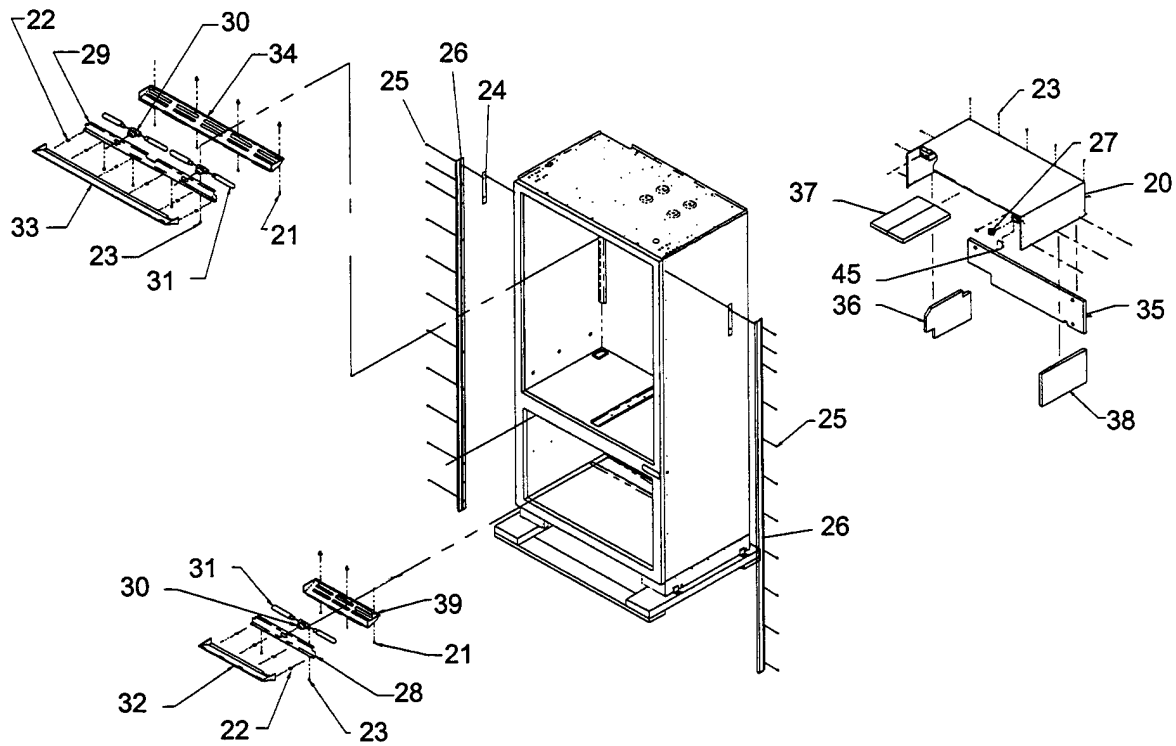


Image 1

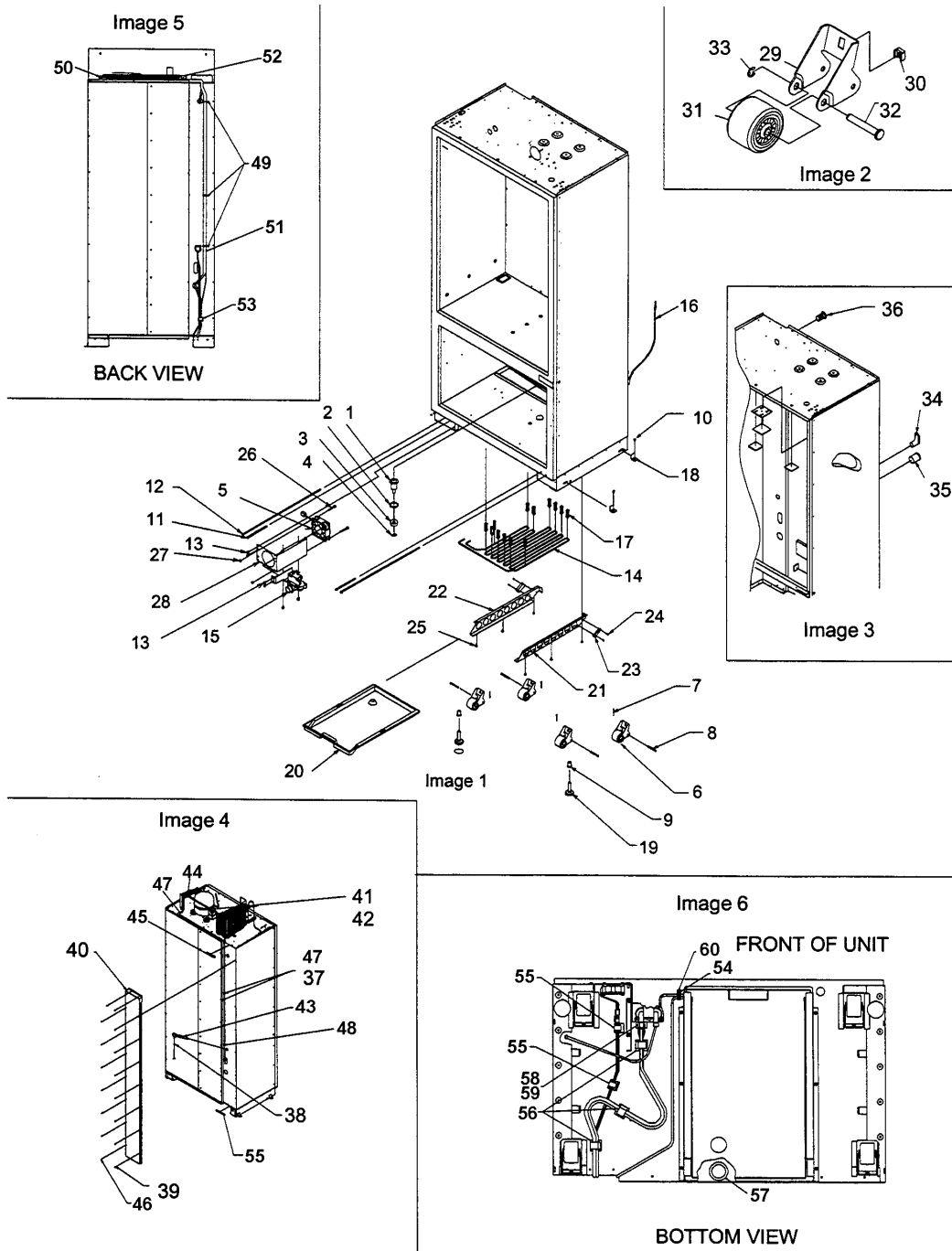
Image 2





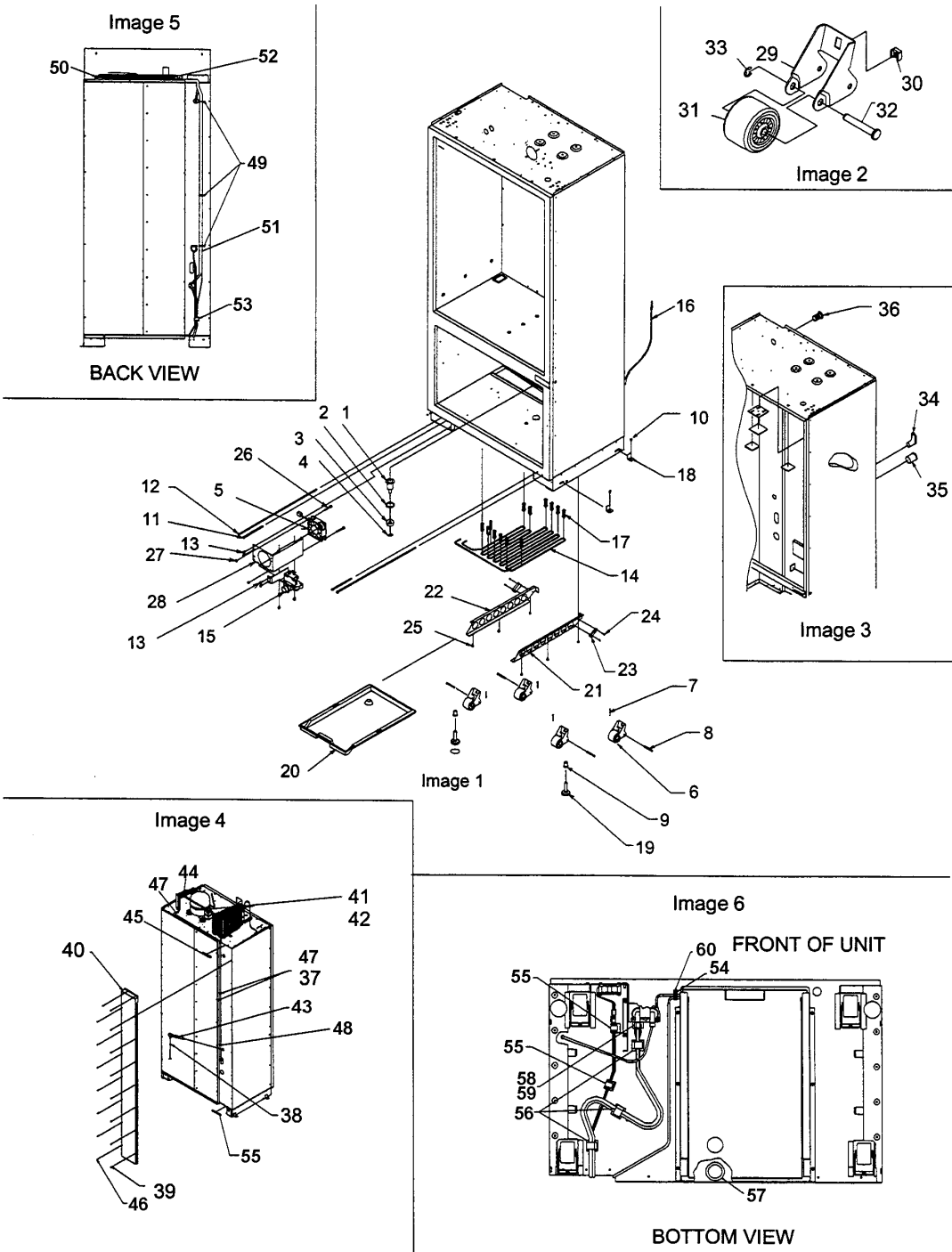
Item	Part No.	Name	Qty	Uom	NOTES
22	M0108201	CLIP-S	1	EA	NO LONGER AVAILABLE
23	M0238616	SCREW, SMALL	1	EA	
24	12135402	SHIM-CAB TRIM	1	EA	
25	M0238616	SCREW, SMALL	1	EA	
26	PM910069	CABINET TRIM - R	1	EA	
Not Shown	PM910070	SUB TO PK920066 - TRIM CABINET L	1	EA	NO LONGER AVAILABLE
27	PE950149	SWITCH POWER	1	EA	
28	L2096422	BRKT-FZ LIGHT 12055701	1	EA	NO LONGER AVAILABLE
29	L2096581	SUB TO L2098310 - BRACKET, REF LIGHT	1	EA	NO LONGER AVAILABLE, Not available online / Call for pricing and availability
30	12096901	SOCKET-LIGHT	1	EA	NO LONGER AVAILABLE
31	004528-000	LAMP, 40 WATT CLEAR LIGHT	1	EA	
32	12074501	COVER-FZ LIGHT	1	EA	
33	12072001	COVER-REF LIGHT V12072001	1	EA	
34	12072801	LENS, REF LIGHT	1	EA	
35	12074401	INSUL-BACK MC CVR V12074401	1	EA	NO LONGER AVAILABLE, Not available online / Call for pricing and availability
36	12074601	INSUL-L MC CVR V12074601	1	EA	
37	12074701	INSUL-MC CVR V12074701	1	EA	
38	12074702	INSUL-R MC CVR V12074702	1	EA	
39	PK930253	LENS LIGHT BM 36" FZ	1	EA	
NI	013112-000	NOISE REDUCTION FAN KIT	1	EA	

ROLLER ASSY

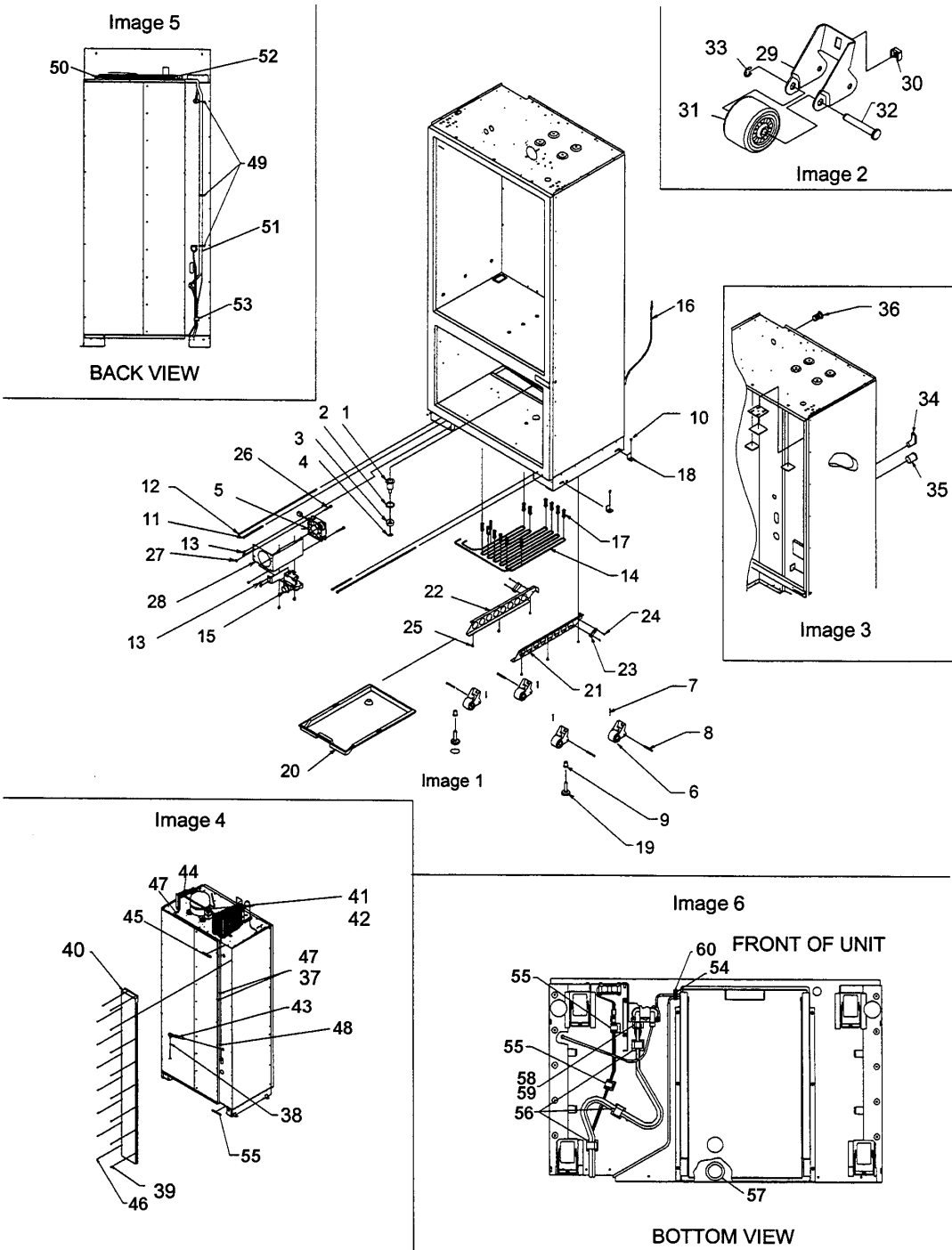




Item	Part No.	Name	Qty	Uom	NOTES
1	12034002	FUNNEL, DRAIN	1	EA	Not available online / Call for pricing and availability
2	12034401	GASKET-FUNNEL	1	EA	
3	B8381501	GASKET-DRAIN TUBE VB8381501	1	EA	
4	M0273301	CLIP-RETAINING	1	EA	NO LONGER AVAILABLE, Not available online / Call for pricing and availability
5	004551-000	AXIAL FAN	1	EA	
<p>Comments for Part Num. 004551-000</p> <p>gboltz@VikingRange.com on Jul 21, 2016</p> <p>View service bulletin TR-0052-SP before ordering fan, if applicable order kit instead of fan</p>					
6	G5096596	ROLLER BRKT ASSY RPLCS G5096490	1	EA	
7	M1200004	PIN-COTTER	1	EA	
8	M1200203	PIN-CLEVIS	1	EA	
9	M0295308	NUT-RIVET VM0295308	1	EA	
10	M0267153	SCREW-MACH VM0267153	1	EA	NO LONGER AVAILABLE, Not available online / Call for pricing and availability
11	M0204339	SCREW-ADJ ROLLER VM0204339	1	EA	
12	10093305	SCREW-ADJ ROLLER V10093305	1	EA	
13	M0220417	SCREW-TC	1	EA	
14	F2096549	SERPENTINE-DRAIN 12131801	1	EA	
15	PA970012	SINGLE WATER VALVE	1	EA	
Not Shown	G50911842	WATER VALVE/BACKET SVC KIT	1	EA	
Not Shown	NOTE	(Units mfg. from 3/12/04 - 1/26/05)		EA	
16	PB020305	TUBING PLASTIC - IM WATERLINE BM	1	EA	
17	12071201	CLIP-DRAIN LOOP	1	EA	
18	K2096427	BRKT-SHIPPING 12071102	1	EA	



Item	Part No.	Name	Qty	Uom	NOTES
19	12150601	FOOT-LEVELING V12150601	1	EA	
20	12071301	PAN, DRAIN	1	EA	
21	K2096585	RAIL, RH PAN - NLA	1	EA	
22	K2096586	RAIL-LH PAN 12143902 - NLA	1	EA	
23	K2096439	ANGLE-DRAIN PAN 12143801	1	EA	
24	M0238616	SCREW, SMALL	1	EA	
25	M0224416	SCREW-SM	1	EA	
26	M0204723	SCREW 8-32X1.5 HEX SL W MS	1	EA	
27	M0280801	NUT-HEX VM0280801	1	EA	Not available online / Call for pricing and availability
28	K2096473	BRKT-DC FAN 12349201	1	EA	
29	K2096420	BRACKET, ROLLER	1	EA	Not available online / Call for pricing and availability
30	M0286708	NUT-SPEED	1	EA	
31	12034201	ROLLER-CABINET	1	EA	
32	M1252901	CLEVIS GROOVED	1	EA	
33	M0273801	RING-RETAINING	1	EA	
34	VC8971903	TUNNEL-HT EX	1	EA	Not available online / Call for pricing and availability
35	12114601	TUNNEL-CUT WIRE	1	EA	NO LONGER AVAILABLE, Not available online / Call for pricing and availability
36	A3187703	TUNNEL-AIR #	1	EA	NO LONGER AVAILABLE, Not available online / Call for pricing and availability
37	M0211018	SCREW-SM	1	EA	
38	12115101	CLAMP-TUBE V12115101	1	EA	
39	M0238616	SCREW, SMALL	1	EA	
40	K2096444	COVER-HT EXCHANGE 12187701	1	EA	
41	10377015	OVERLOAD-4TM V10377015	1	EA	





Item	Part No.	Name	Qty	Uom	NOTES
42	10097202	RELAY-PTC V10097202	1	EA	
43	009216-000	FILL TUBE BM	1	EA	
44	PB970188	INSULATION TUBING 45.000 5 SERIES	1	EA	
45	A3189370	GASKET-FOAM VA3189370	1	EA	
46	A4539601	DAMPER-TUBING .8	1	EA	Not available online / Call for pricing and availability
47	M0102303	Clamp, Tube	1	EA	
48	M0102804	CLAMP-TUBE VM0102804	1	EA	
Not Shown	A3223101	INSERT-TUBE VA3223101	1	EA	
49	M0322202	TIE-WIRE	1	EA	
50	A4554806	BUSHING-SNAP VA4554806	1	EA	
51	12405601	HARNESS-CABINET V12405601	1	EA	NO LONGER AVAILABLE
Not Shown	12405602	HARNESS-CABINET V12405602	1	EA	NO LONGER AVAILABLE
52	10916507	CORD-POWER 5 SERIES	1	EA	
53	M0104102	CLIP-CORD RED	1	EA	
54	M0211018	SCREW-SM	1	EA	
55	M0104106	CLIP-CORD VM0104106	1	EA	
56	M0104102	CLIP-CORD RED	1	EA	
57	A3076901	PLUG-BUTTON VA3076901	1	EA	Not available online / Call for pricing and availability
58	M0753001	NUT-SLEEVE	1	EA	
59	A1055101	SPRING-ANTI KINK	1	EA	NO LONGER AVAILABLE
60	M0102303	Clamp, Tube	1	EA	

SHELVING

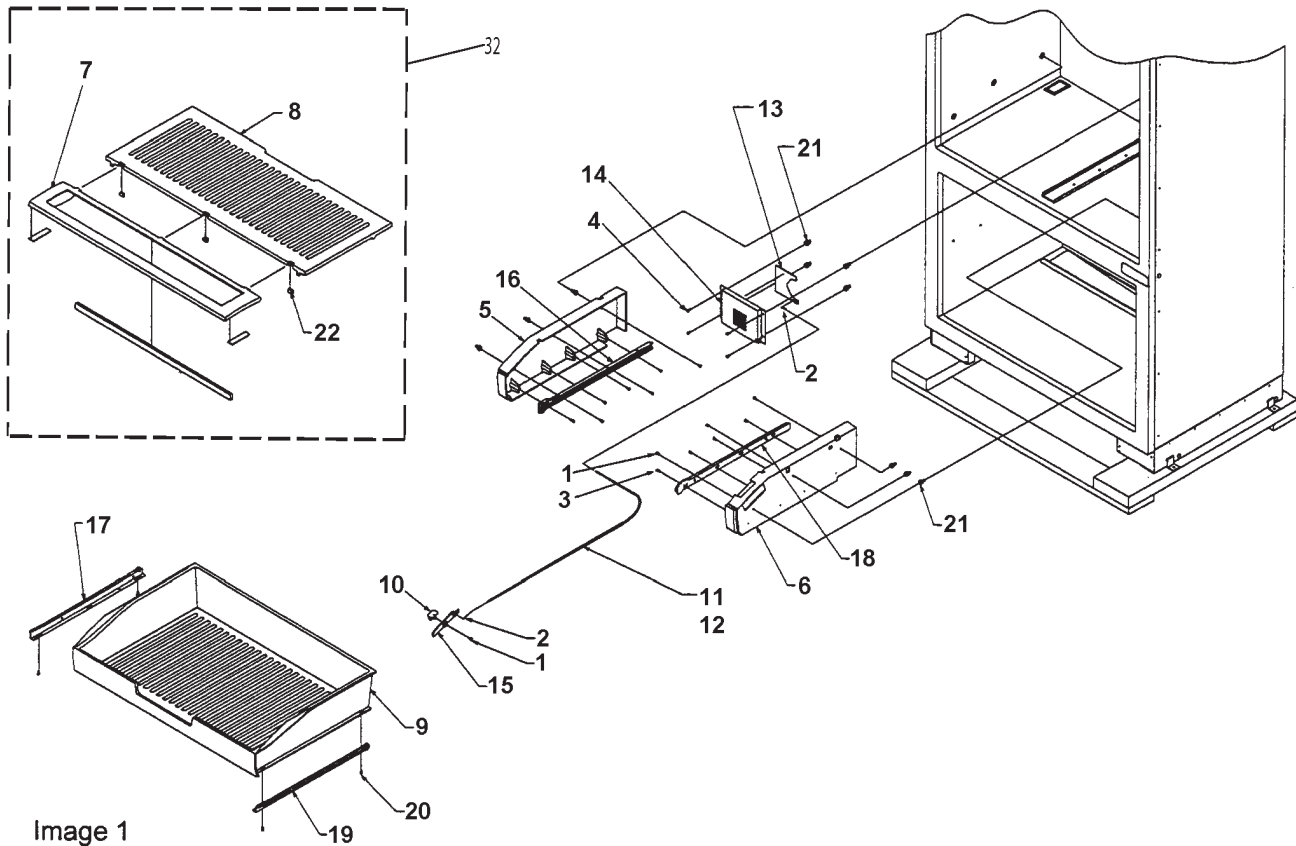
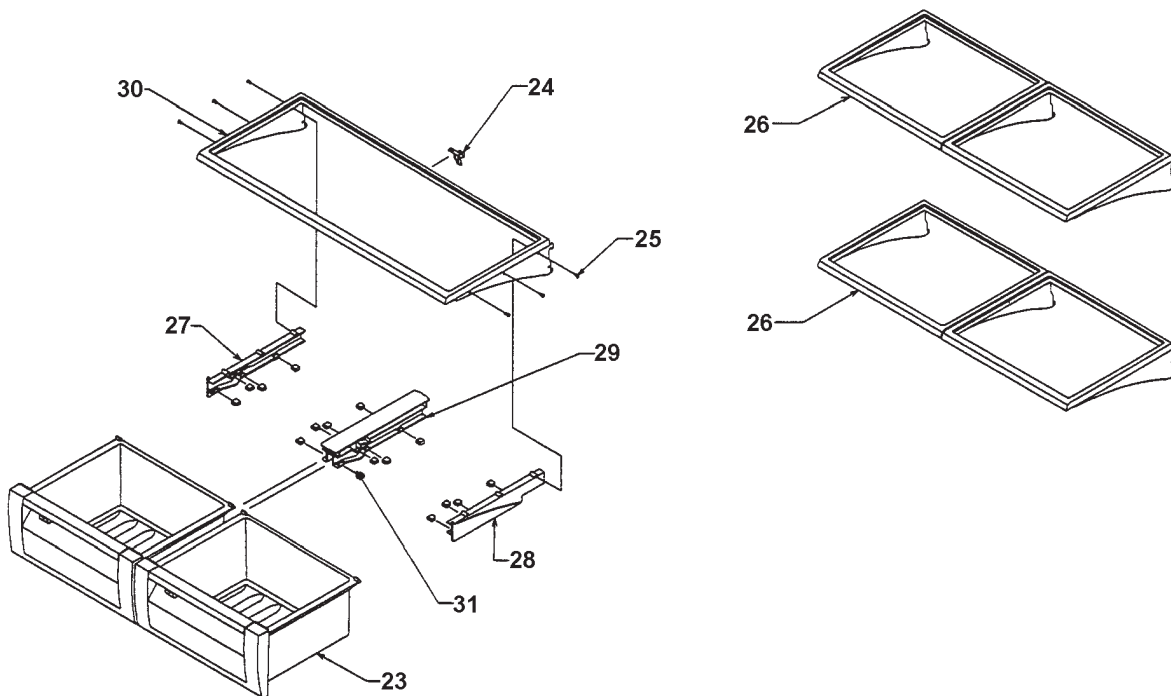


Image 1

Image 2





Item	Part No.	Name	Qty	Uom	NOTES
1	M0211018	SCREW-SM	1	EA	
2	M0213105	SCREW-SM	1	EA	
3	M0215318	SCREW-SM	1	EA	
4	M0238616	SCREW, SMALL	1	EA	
5	V12202601	SUPPORT-L DRAWER # - NLA	1	Wholesale Price	NO LONGER AVAILABLE
6	V12073003	SUPPORT-R DRAWER #	1	Wholesale Price	
7	V12223207	DELI LID ASSY 36 BM	1	Wholesale Price	
Not Shown	NOTE	(MUST ORDER ITEM 32)		EA	
8	12223303	DELI TOP ASSY	1	EA	
Not Shown	NOTE	(MUST ORDER ITEM 32)		EA	
9	V12073303	DRAWER-DELI 36" BM	1	Wholesale Price	
10	V12073401	KNOB-DELI CONT	1	Wholesale Price	
11	12073501	TUBE-PLASTIC	1	EA	
12	12073505	TUBE-PLASTIC	1	EA	
13	V12073601	SLIDE-DELI CONT	1	EA	NO LONGER AVAILABLE
14	V12073701	COVER-DELI CONT	1	Wholesale Price	NO LONGER AVAILABLE
15	V12070501	GLIDE-DELI KNOB #	1	EA	NO LONGER AVAILABLE
16	12073901	GLIDE-L SUPPORT V12073901	1	EA	
17	12073902	GLIDE-L DRAWER V12073902	1	EA	
18	12073903	GLIDE-R SUPPORT V12073903	1	EA	
19	12073904	GLIDE-R DRAWER V12073904	1	EA	
20	M0224128	SCREW-SM	1	EA	
21	M0581001	GROMMET-SCREW VM0581001	1	EA	
22	12486202	CLIP-DELI TOP 36" REPL V12486201	1	EA	
Not Shown	NOTE	(MUST ORDER ITEM 32)		EA	

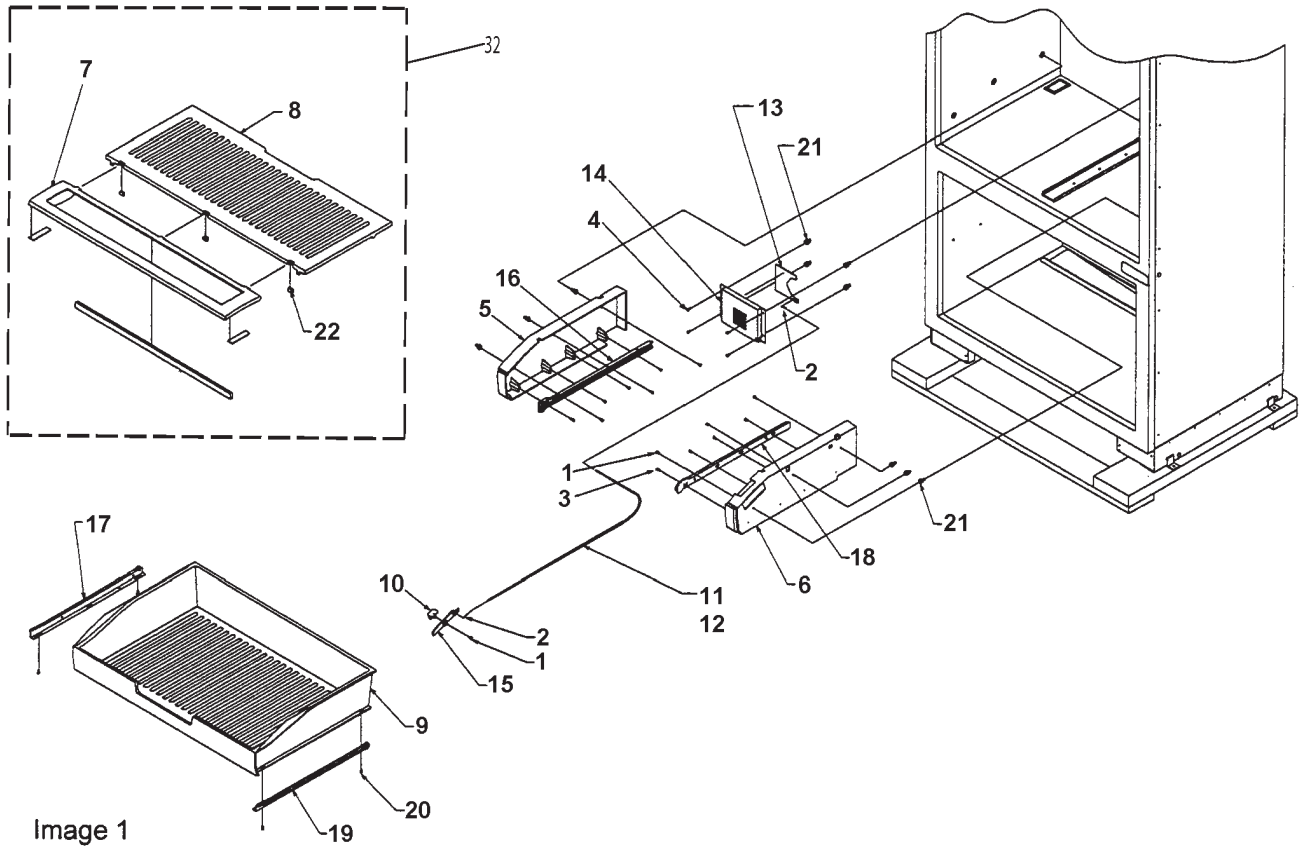
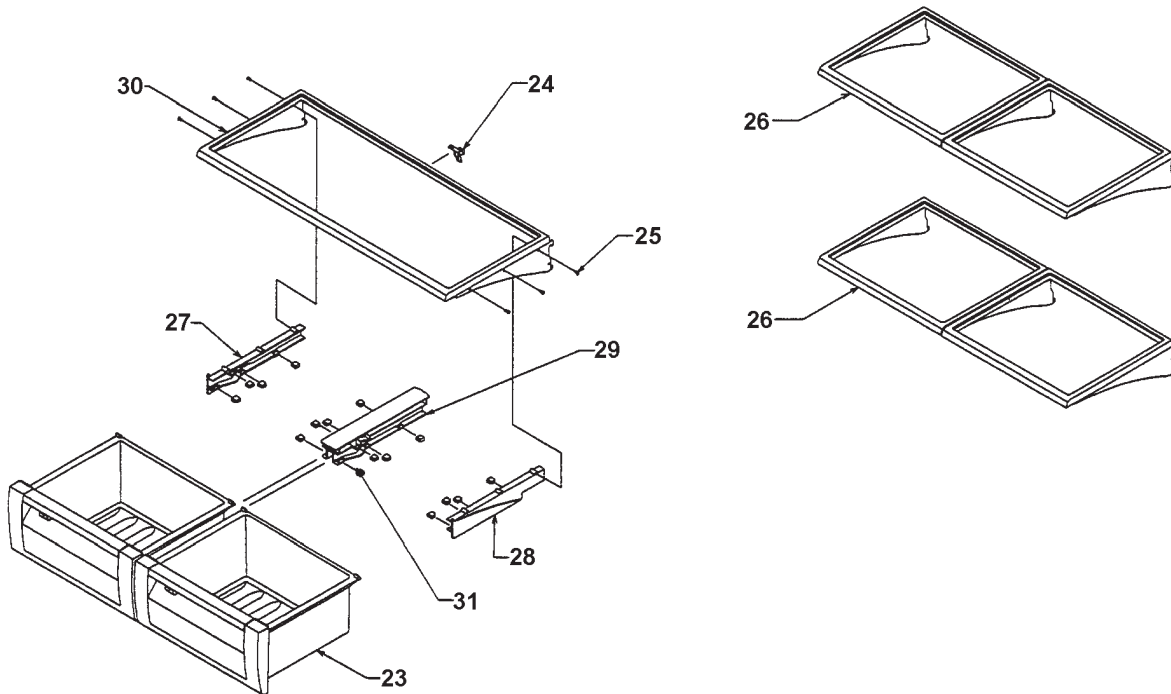


Image 1

Image 2





Item	Part No.	Name	Qty	Uom	NOTES
23	V12056902	CRISPER PAN ASSY 36" BM	1	Wholesale Price	
24	12046701	CRISPER RAIL WELD	1	EA	
25	M0238616	SCREW, SMALL	1	EA	
26	PM910351	SHELF ASM GLASS BM 36 FF	1	EA	
27	12064501	GLIDE-LEFT CRISPER	1	EA	
28	12064502	GLIDE-RIGHT CRISPER	1	EA	
29	V12064601	GLIDE-CTR CRISPER #	1	Wholesale Price	
30	043203-000	SHELF ASM GLASS 36 AR 36 BM	1	EA	
31	12064701	PAD-GLIDE V12064701	1	EA	
32	000368-000	SUB TO 000368-000 - DELI LID ASSY 36 BM	1	EA	

TOP HINGES

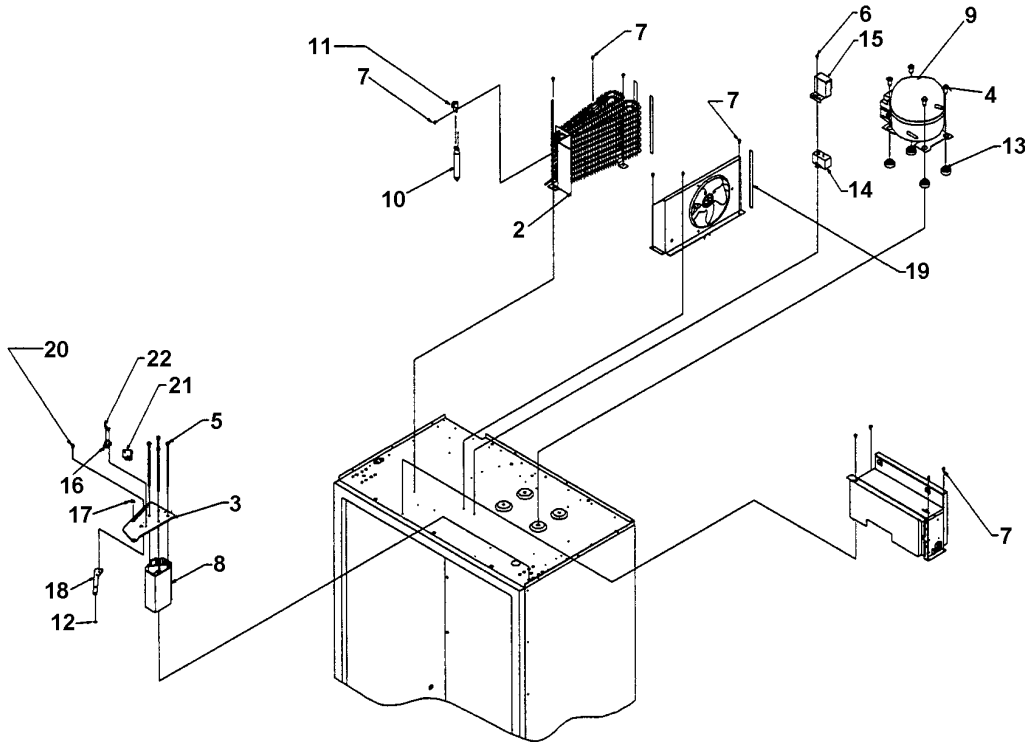
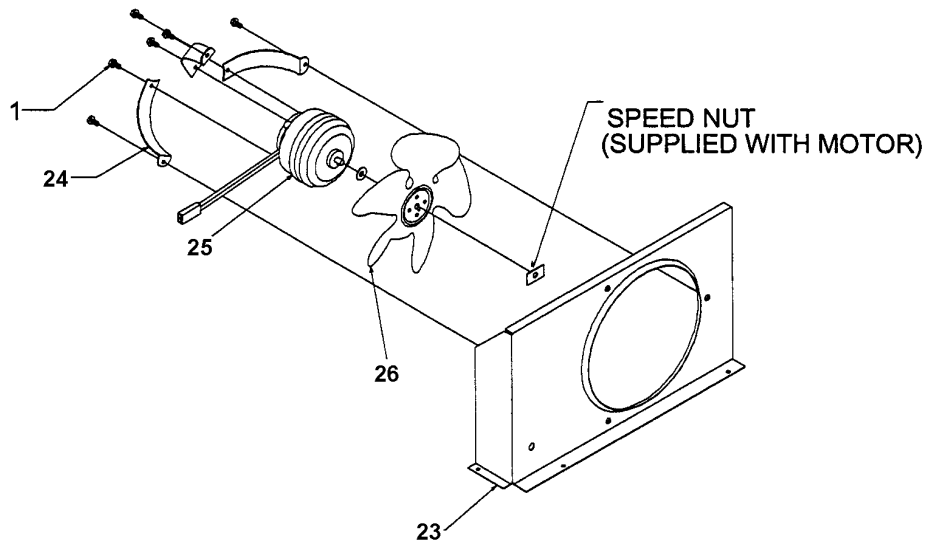


Image 1

Image 2





Item	Part No.	Name	Qty	Uom	NOTES
1	M0223816	SCREW-TR		EA	NO LONGER AVAILABLE
2	PB920171	CONDENSER ASM		EA	
3	PC920035	L TOP HINGE ASSY RE V12067805		EA	
Not Shown	PC920034	TOP HINGE ASSY, RH, DFBB, DFSB		EA	
4	M0221523	SCREW - SHLDR		EA	
5	M0206313	SCREW-MACH		EA	
6	M0238921	SCREW-SM		EA	NO LONGER AVAILABLE
7	M0238616	SCREW, SMALL		EA	
8	12067901	EXTRSN-TOP HINGE V12067901		EA	
9	G5096341	COMPRESSOR ASSY (VCBB360/362)		EA	
10	PM010616	DRIER - HIGH SIDE		EA	
11	10547001	CLIP-DRIER V10547001		EA	
12	40370P01	NYLON FLAT WASHER V40370P01		EA	
13	10835901	GROMMET RUBBER V10835901		EA	
14	C8931608	CAPACITOR		EA	
15	10266402	SHIELD-CAPACITOR GRN		EA	NO LONGER AVAILABLE, Not available online / Call for pricing and availability
16	G50911866	LIGHT CUT OFF SERVICE KIT		EA	
17	12348701	BUMPER-DOOR STOP V12348701		EA	
18	PC920069	ARM, DOOR STOP, LH DFBB/SB		EA	
Not Shown	PC920067	ARM, DOOR STOP, RH		EA	
19	A3189370	GASKET-FOAM VA3189370		EA	
20	M0220942	SCREW-SHLDR		EA	
21	12140701	COVER-SWITCH V12140701		EA	
22	M0238616	SCREW, SMALL		EA	

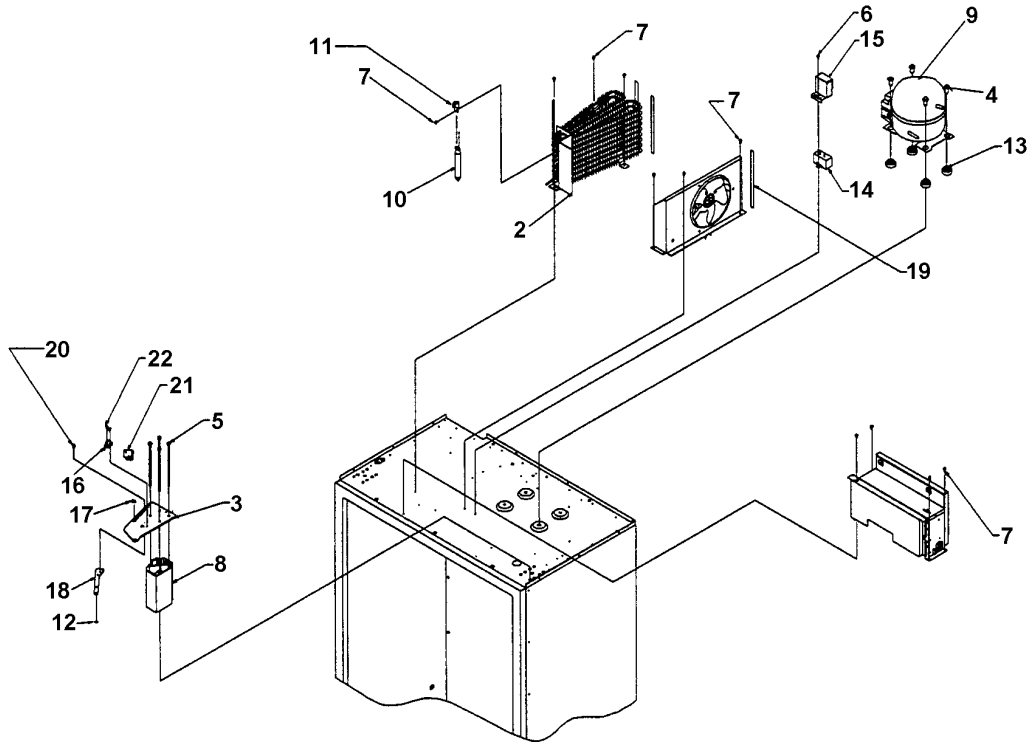
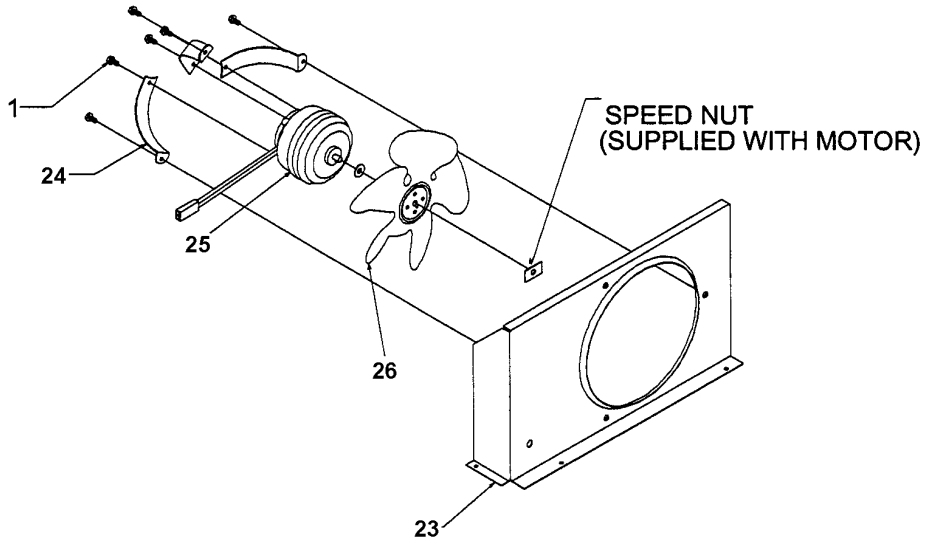


Image 1

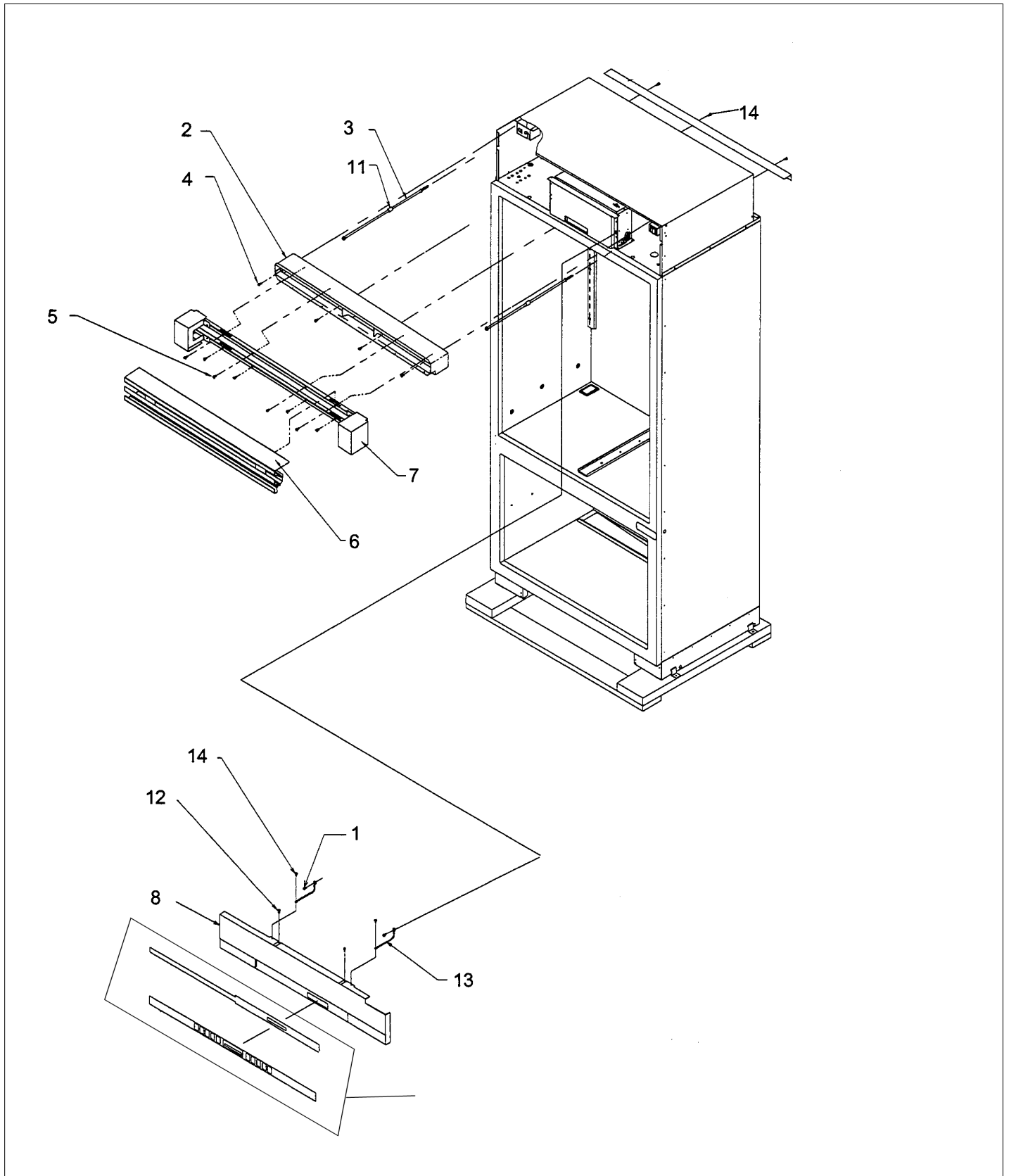
Image 2





Item	Part No.	Name	Qty	Uom	NOTES
23	K2196428	SHROUD, CONDENSER FAN		EA	Not available online / Call for pricing and availability
24	10582501	BRKT-COND MTR V10582501		EA	
25	10522103	MOTOR-PSC V10522103		EA	
26	B5742603	BLADE-FAN		EA	

UPPER GRILLE



Item	Part No.	Name	Qty	Uom	NOTES
1	M0238846	SCREW-SHLDR		EA	
2	G9096592BK	AIR DUCT WELD ASSY		EA	
3	M0223603	SCREW-LAG		EA	
4	M0238616	SCREW, SMALL		EA	
5	M0211021	SCREW-SM		EA	
6	G32913046	GRILLE ASM BM 36 DES L		EA	
G329692 5	G32913045	GRILLE ASM BM 36 DES R		EA	
7	V10942001	COVER-CONT PANEL RH		Wholesale Price	
Not Shown	PK030459	PANEL CONTROL AR 36 L		EA	
8	PE950174	OVERLAY SWITCH BTM 36		EA	
10	12349301	BEARING-SLEEVE V12349301		EA	
11	M0224128	SCREW-SM		EA	
12	12064001	SUPP-CONT PANEL		EA	
13	A4539601	DAMPER-TUBING .8		EA	Not available online / Call for pricing and availability
14	K2096588	SHIELD POWER CORD 12180502		EA	NO LONGER AVAILABLE
#	PM910105	SUB TO 12128102 - GRILLE EXTENSION 36 BM L		EA	NO LONGER AVAILABLE, Not available online / Call for pricing and availability
Not Shown	PM910093	GRILLE EXTENSION 36 BM R - 12128101		EA	NO LONGER AVAILABLE, Not available online / Call for pricing and availability



Appendix A:Pages Index

CONTROL ASSY 1
DOOR ASSY 2
DRAWER 3
EVAPORATOR AREA 4
FLOW CHART NO COMPRESSOR 5
LADDERS 6
ROLLER ASSY 7
SHELVING 8
TOP HINGES 9
UPPER GRILLE 10



Appendix B:Parts Index

000368-000	8	12064502	8
001904-000	2	12064701	8
002670-000	1	12067201	4
004528-000	6	12067301	4
004551-000	6, 7	12067401	6
005319-000	1	12067901	9
005795-000	3	12068402	3
009216-000	7	12070201	6
013112-000	6	12070202	6
016774-000	4	12071201	7
019244-000	3	12071301	7
023005-000	3	12071501	6
023112-000	3	12071601	6
031006-000	4	12071701	6
043203-000	8	12072001	6
058966-000	4	12072801	6
10093305	7	12073501	8
10097202	7	12073505	8
10266402	9	12073901	8
10377015	7	12073902	8
10428101	4	12073903	8
10428409	4	12073904	8
10522103	9	12074401	6
10526701	3	12074501	6
10544502	1	12074601	6
10547001	9	12074701	6
10582501	9	12074702	6
10835901	9	12074703	1
10851306	4	12088001	3
10916507	7	12090301	6
12034002	7	12096901	6
12034201	7	12114601	7
12034401	7	12115101	7
12043006	3	12118901	6
12046701	8	12131902	3
12055401	2	12135402	6
12055601	3	12140701	9
12063301	4	12150601	7
12064001	10	12223303	8
12064501	8	12234601	3
		12348701	9



12349301	10	G5096604	3
12401402	4	G9096592BK	10
12404901	6	K10911852	3
12405601	7	K2096420	7
12405602	7	K2096427	7
12406001	6	K2096429	1
12486202	8	K2096430	1
12505401	3	K2096431	1
40370P01	3, 9	K2096439	7
A1055101	7	K2096444	7
A3030335	4	K2096473	7
A3076901	7	K2096475	6
A3187703	7	K2096575	4
A3189348	4	K2096576	4
A3189370	4, 7, 9	K2096577	4
A3223101	7	K2096585	7
A4539601	1, 7, 10	K2096586	7
A4554806	7	K2096588	10
A4554817	1	K2096589	4
B5720304	3	K2097709	1
B5742603	9	K2196428	9
B8381501	7	L2096422	6
C8931608	9	L2096581	6
C8983701	4, 6	M0102303	7, 7
C9096578WH	4	M0102804	7
C9096579BK	3	M0104102	7, 7
F2096549	7	M0104106	1, 7
G3096601	6	M0108201	6
G32913045	10	M0202528	3
G32913046	10	M0204339	7
G3296543	2	M0204723	7
G50911842	7	M0206313	9
G50911858	3	M0210443	3
G50911866	9	M0210458	2, 2
G5096341	9	M0211014	4
G5096541	2	M0211018	3, 4, 6, 7, 7, 8
G5096546	4	M0211019	6
G5096548	3	M0211021	10
G5096594	3	M0213105	4, 8
G5096595	3	M0215318	8
G5096596	7	M0218137	6



M0220417	7	PC920043	3
M0220928	3	PC920045	3
M0220942	9	PC920047	3
M0221523	9	PC920049	3
M0223603	10	PC920067	9
M0223816	1, 9	PC920069	9
M0224128	8, 10	PC920170	3
M0224416	3, 4, 7	PD020013	1
M0226233	3	PD020189	3
M0232903	4, 6	PD030155	3
M0232929	4	PD920174	3
M0234005	6	PE030166	2
M0238616	1, 3, 4, 6, 6, 7, 7, 8, 8, 9, 9, 10	PE030166PVD	2
M0238846	6, 10	PE070728	1
M0238921	9	PE950149	6
M0267153	7	PE950174	10
M0272803	3	PE970464	1
M0273301	7	PE970465	1
M0273801	7	PK030459	10
M0280801	7	PK930042	3
M0286708	7	PK930232	4
M0288120	1	PK930253	6
M0295308	7	PM010616	9
M0322202	4, 7	PM910069	6
M0581001	4, 6, 8	PM910070	6
M0585504	1	PM910093	10
M0585506	1	PM910094	2
M0753001	7	PM910095	2
M1200004	7	PM910096	2
M1200203	7	PM910099	2
M1252901	7	PM910100	2
M6096628	3	PM910101	2
PA970012	7	PM910105	10
PB020305	7	PM910116	2
PB920171	9	PM910117	2
PB970188	7	PM910178	4
PC020250	3	PM910351	8
PC020296	3	V10519806V	3
PC920034	9	V10921220	2
PC920035	9	V10921223	2
PC920040	3	V10933001	2



V10942001	10
V12039701	2
V12056902	8
V12064601	8
V12070501	8
V12073003	8
V12073303	8
V12073401	8
V12073601	8
V12073701	8
V12097404	2, 2, 2, 2
V12202601	8
V12223207	8
V12493702	2
V12493704	2
VC8971903	7
VM0202321	2
VM0204303	2