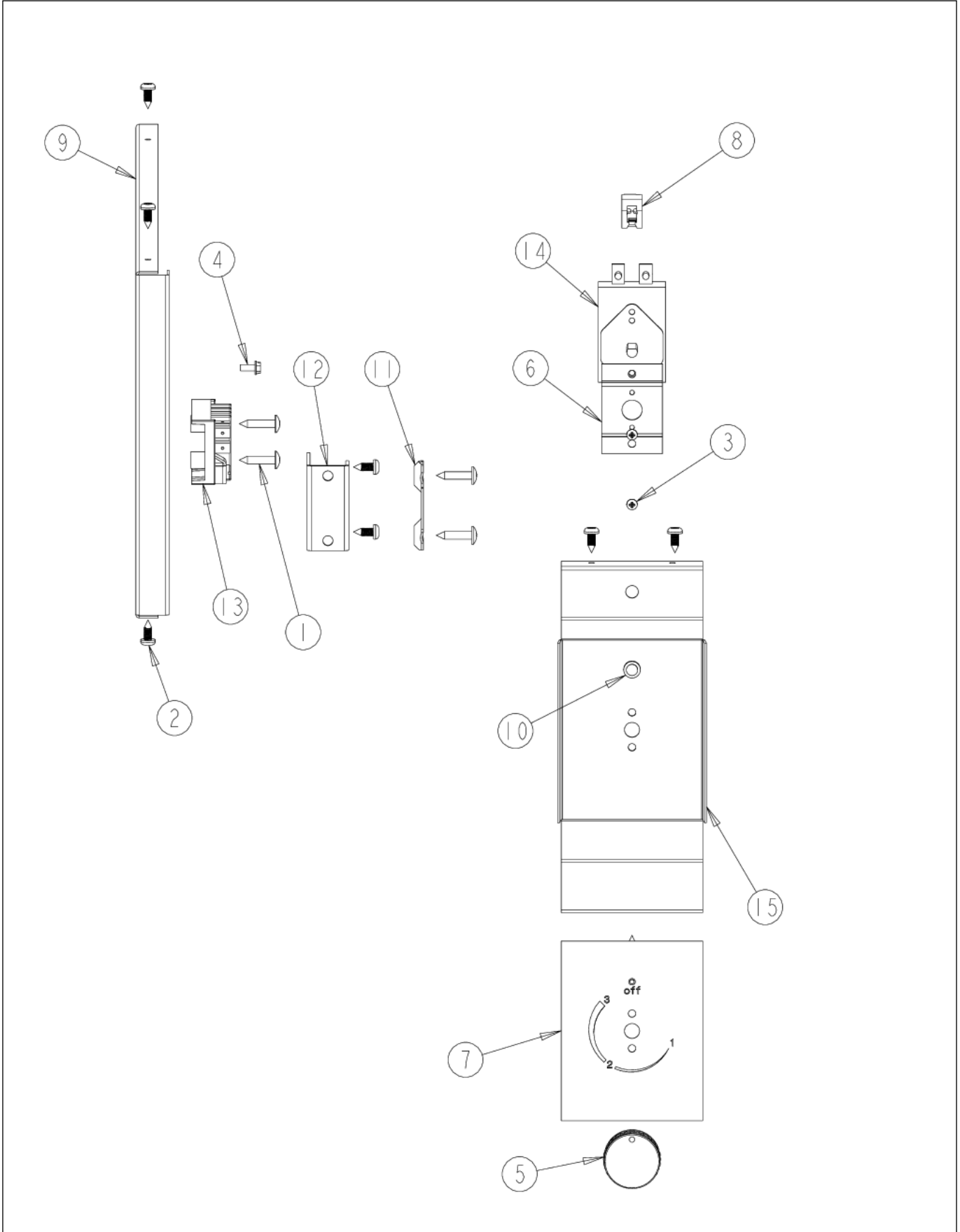


DEWD171

CONTROL AREA	1
DOOR ASSEMBLY	2
DRAWER AREA	3
EXTERIOR UNIT AREA	4
LOWER UNIT AREA	5
Appendix A:Pages Index	A
Appendix B:Parts Index	B

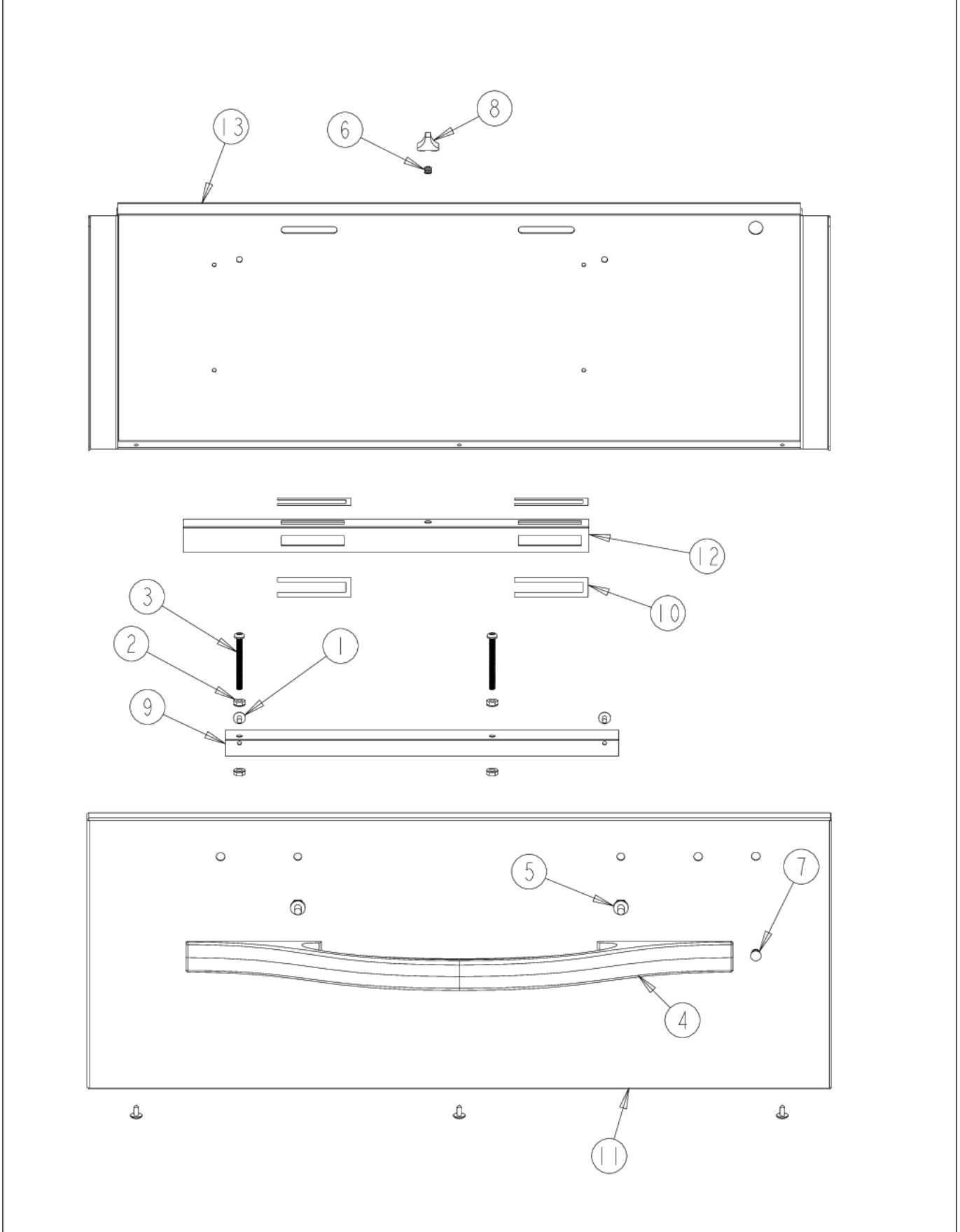
CONTROL AREA





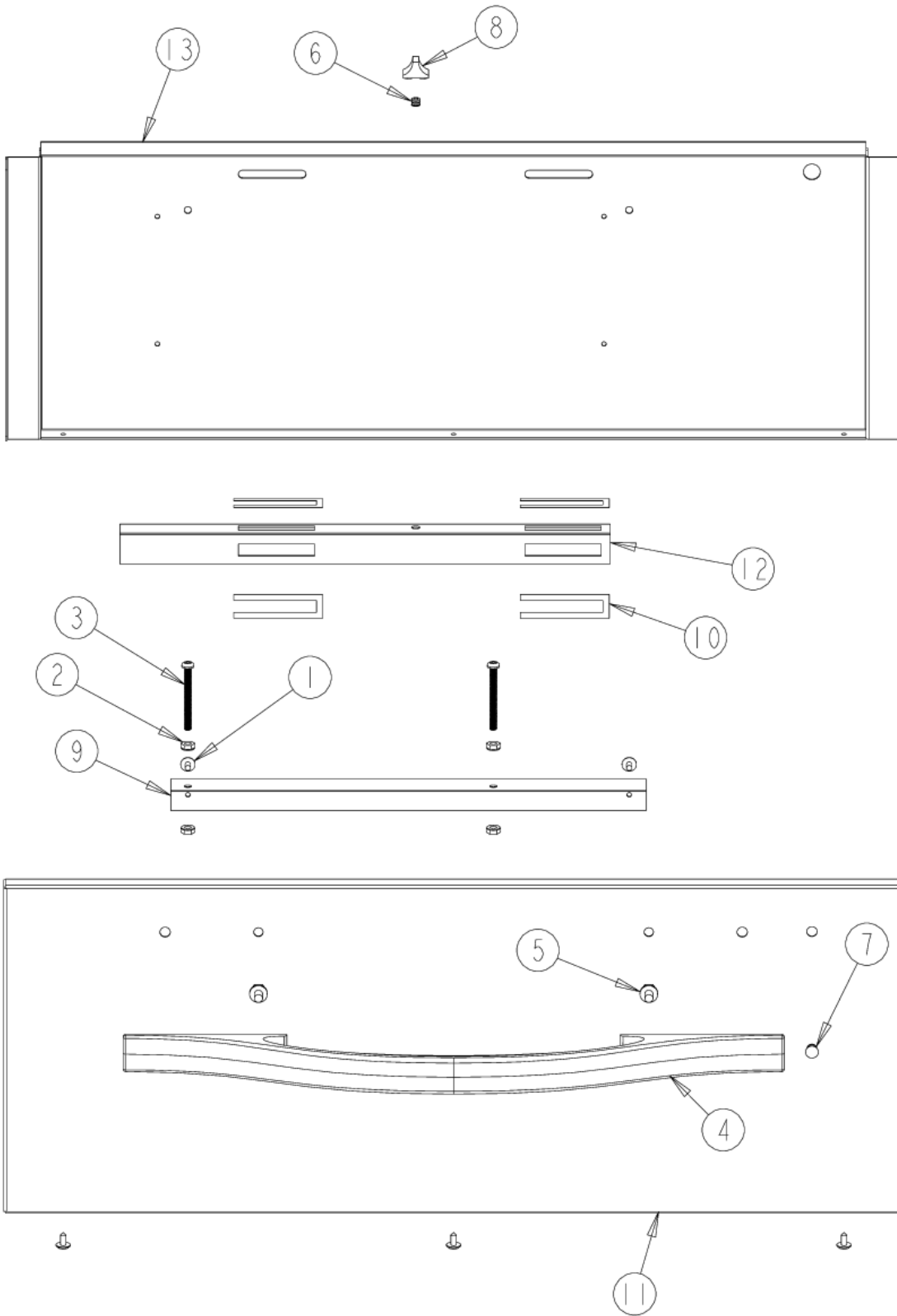
Item	Part No.	Name	Qty	Uom	NOTES
1	PD020009	10 X 1 PH. HD. PAN HD. SMS	1	EA	
2	PD020087	10 X 1/2 PAN PH. TEK ZINC	1	EA	
3	PD020076	6-32 X 3/8" PHILL PAN MS	1	EA	
4	PD020010	10 X 3/8 GREEN GROUNDING SCREW	1	EA	
5	PB010201	DESIGNER WD KNOB	1	EA	
6	A2006075	THERMOSTAT SPACER, DESIGNER	1	EA	Not available online / Call for pricing and availability
7	PE040236	30" WD TOP/BOTTOM TRIM	1	EA	NO LONGER AVAILABLE, Not available online / Call for pricing and availability
8	PE050024	OVEN IND. LIGHT (LIGHT HOUSING)	1	EA	
<p>Comments for Part Num. PE050024</p> <p>haarnink@vikingrange.com on Jan 14, 2019</p> <p>please note that the indicator light is now part 043135-000 but needs the Jumper harness 051443-000. and second option there are units in the field with a 230V indicator light part number 036566-000.</p> <p>please check this for all "E" module ranges/Tops</p>					
9	A20013478	INSULATION PANEL	1	EA	Not available online / Call for pricing and availability
10	PE050023	OVEN IND. LIGHT (LENS & BEZEL)	1	EA	
11	A1002457	POWER CORD MOUNTING STRAP (VDSC)	1	EA	
12	A2002195	POWER CORD MOUNTING BRKT (VDSC)	1	EA	
13	PE070147	TERMINAL BLOCK (VDSC)	1	EA	
14	PB010167	THERMOSTAT	1	EA	
15	B20013480	CONTROL PANEL *SS* (VEWD/DEWD)	1	EA	
NI	003005-002	8 - 18 X 1/2 ZN TRIV W/#6 TRUSS AB TAPPING SCREW *BK*	1	EA	NO LONGER AVAILABLE, Not available online / Call for pricing and availability

DOOR ASSEMBLY

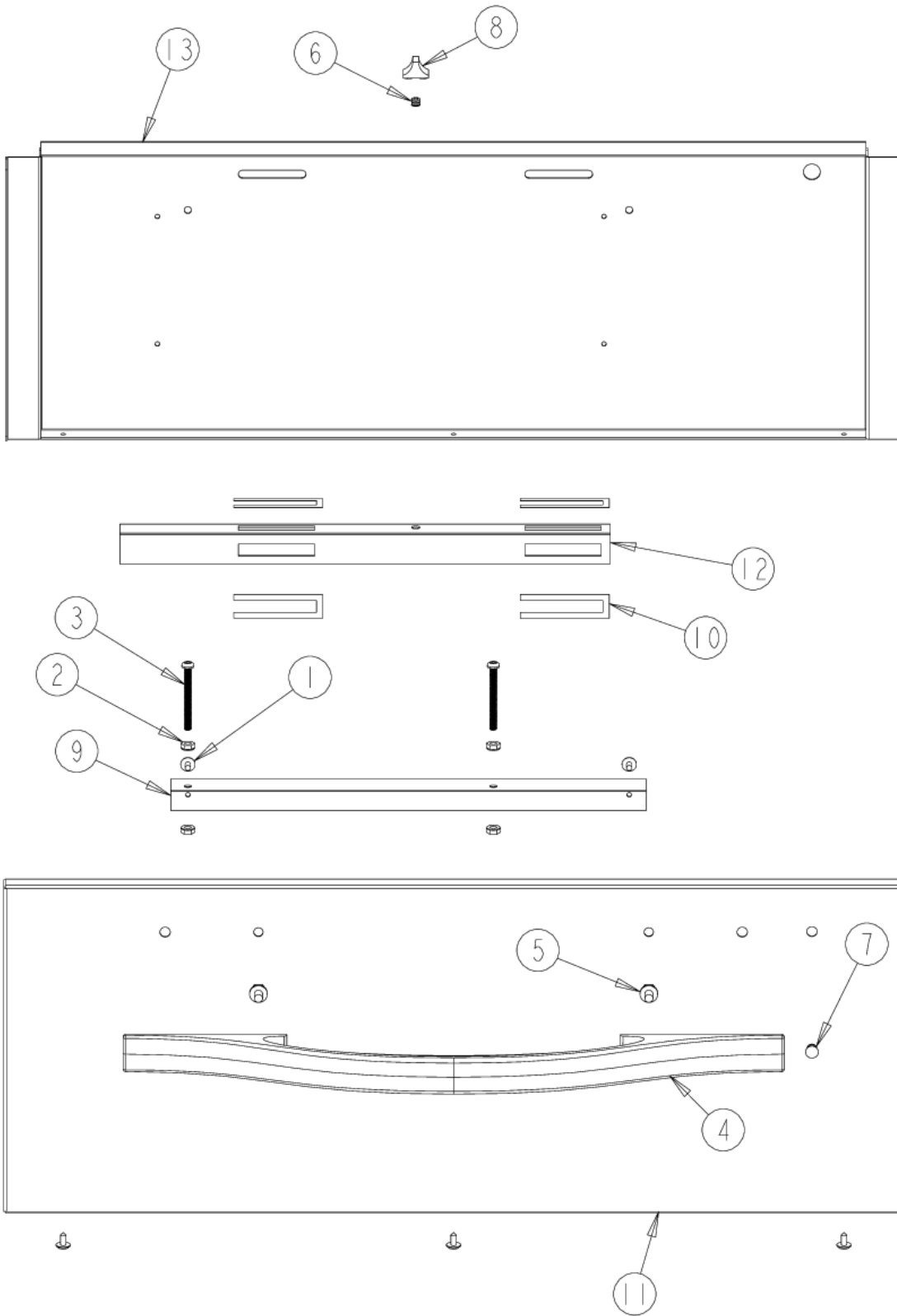




Item	Part No.	Name	Qty	Uom	NOTES
1	PD020032	SRW-8(A)X3/8"PH.WFR HD 7/16DIA*NICL	1	EA	
2	PD030010	#10-24 KEPS NUT ZINC PLATED	1	EA	
3	PD020112	10-24 X 2RD PH MS TOGGLE BOLT	1	EA	
4	PE030165	27" DOOR HANDLE	1	EA	
Not Shown	PE030165PVD	27" DOOR HANDLE PVD	1	EA	NO LONGER AVAILABLE
5	PD010019	BLT-1/4-20X3/8"HEX WASHER SERATED	1	EA	
6	PD030069	DAMPER KNOB INSERT (DEWD)	1	EA	
7	PE050084	DEWD O/S INDICATOR LENS	1	EA	
8	M6006255BK	DEWD MOISTURE SLIDE KNOB *BK*	1	EA	
9	B20015118	INSULATION BRACKET (DEWD)	1	EA	NO LONGER AVAILABLE
10	PF010015	DEWD MOISTURE SLIDE GASKET (2045-10DPK)	1	EA	
11	B92013445	27" O/S DOOR PANEL (DEWD171)	1	EA	NO LONGER AVAILABLE
Not Shown	C92013445BK	27" O/S DOOR PANEL (DEWD171) *BK*SLKSCREEN*	1	EA	NO LONGER AVAILABLE
Not Shown	C92013445BT	27" O/S DOOR PANEL (DEWD171) *BT*SLKSCREEN*	1	EA	NO LONGER AVAILABLE, Not available online / Call for pricing and availability
Not Shown	C92013445GG	27" O/S DOOR PANEL (DEWD171) *GG*SLKSCREEN*	1	EA	NO LONGER AVAILABLE, Not available online / Call for pricing and availability
Not Shown	C92012445SG	DOOR PANEL - SG	1	EA	Not available online / Call for pricing and availability
Not Shown	C92013445WH	27" O/S DOOR PANEL (DEWD171) *WH*SLKSCREEN*	1	EA	NO LONGER AVAILABLE, Not available online / Call for pricing and availability
12	B20013464	WARMING DRAWER DAMPER (DEWD171/101)	1	EA	



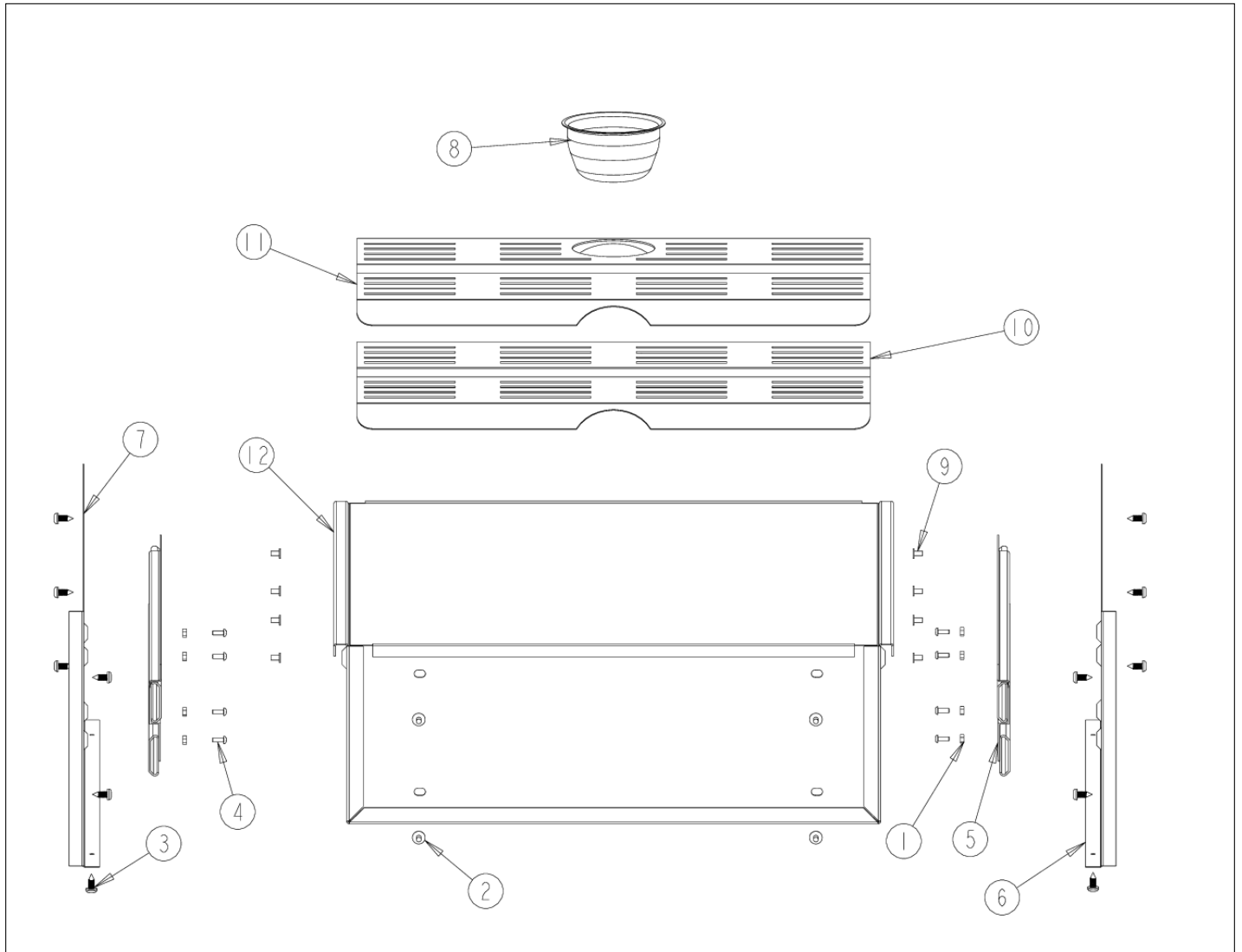
Item	Part No.	Name	Qty	Uom	NOTES
13	B20013446	INNER DOOR PANEL	1	EA	Not available online / Call for pricing and availability
NI	G32013447BK	COMPLETE DOOR ASSEMBLY - BK	1	EA	Not available online / Call for pricing and availability
Not Shown	G32013447BKBR	COMPLETE DOOR ASSEMBLY - BK / BR	1	EA	Not available online / Call for pricing and availability
Not Shown	G32013447BT	COMPLETE DOOR ASSEMBLY - BT	1	EA	Not available online / Call for pricing and availability
Not Shown	G32013447BTBR	COMPLETE DOOR ASSEMBLY - BT / BR	1	EA	Not available online / Call for pricing and availability
Not Shown	G32013447GG	COMPLETE DOOR ASSEMBLY - GG	1	EA	Not available online / Call for pricing and availability
Not Shown	G32013447GGBR	COMPLETE DOOR ASSEMBLY - GG / BR	1	EA	Not available online / Call for pricing and availability
Not Shown	G32013447SG	COMPLETE DOOR ASSEMBLY - SG	1	EA	Not available online / Call for pricing and availability
Not Shown	G32013447SGBR	COMPLETE DOOR ASSEMBLY - SG / BR	1	EA	Not available online / Call for pricing and availability
Not Shown	G32013447SS	27" DOOR ASSY (DEWD171) *SS*SLKSCREEN*	1	EA	Not available online / Call for pricing and availability
Not Shown	G32013447SSBR	27" DOOR ASSY (DEWD171) *SS*BR*SLKSCREEN*	1	EA	NO LONGER AVAILABLE, Not available online / Call for pricing and availability
Not Shown	G32013447WH	COMPLETE DOOR ASSEMBLY - WH	1	EA	Not available online / Call for pricing and availability
Not Shown	G32013447WHBR	COMPLETE DOOR ASSEMBLY - WH / BR	1	EA	Not available online / Call for pricing and availability





Item	Part No.	Name	Qty	Uom	NOTES
NI	PD950012	STRIKE PANEL ACCESS	1	EA	
NI	PD950013	LATCH PANEL ACCESS	1	EA	

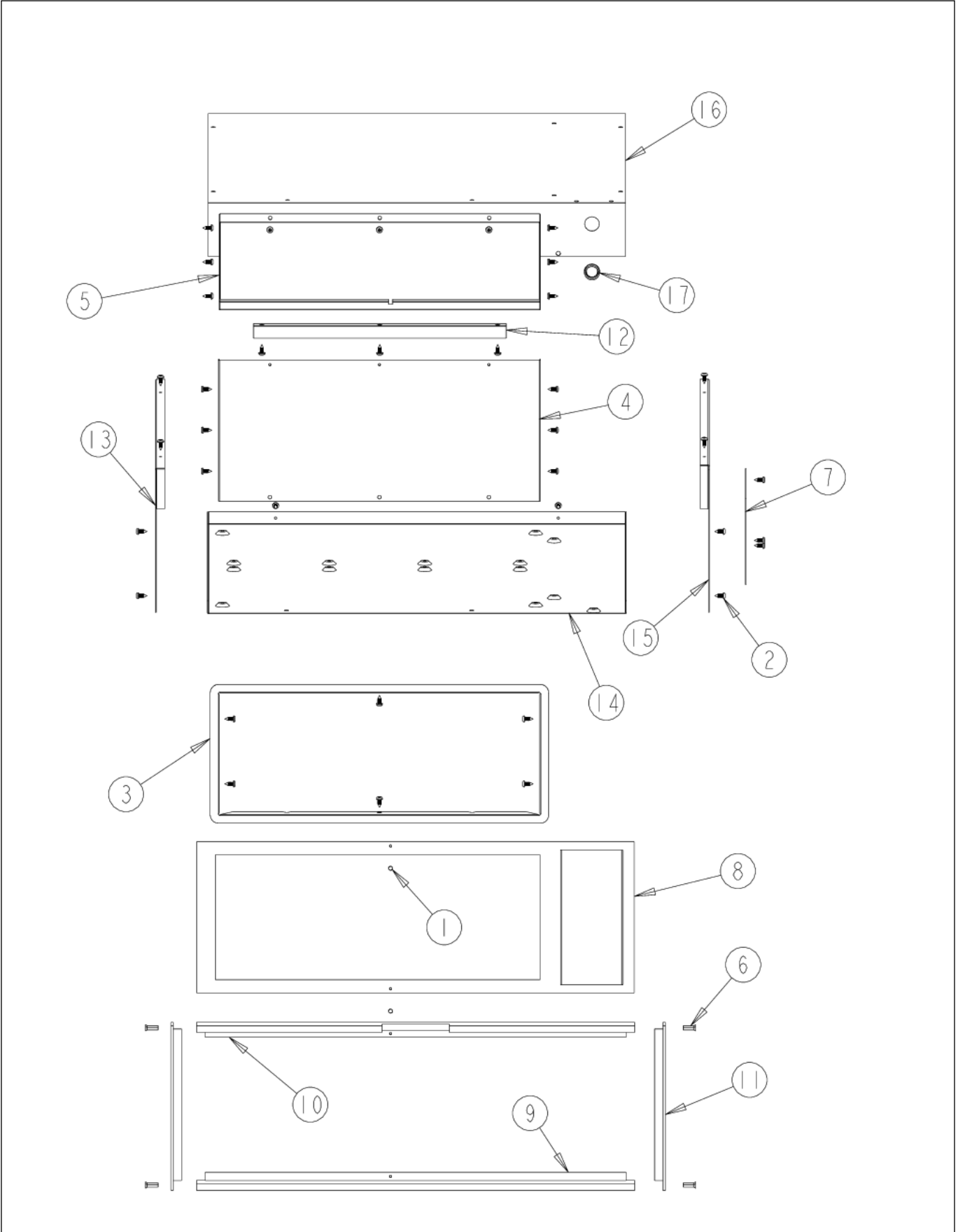
DRAWER AREA





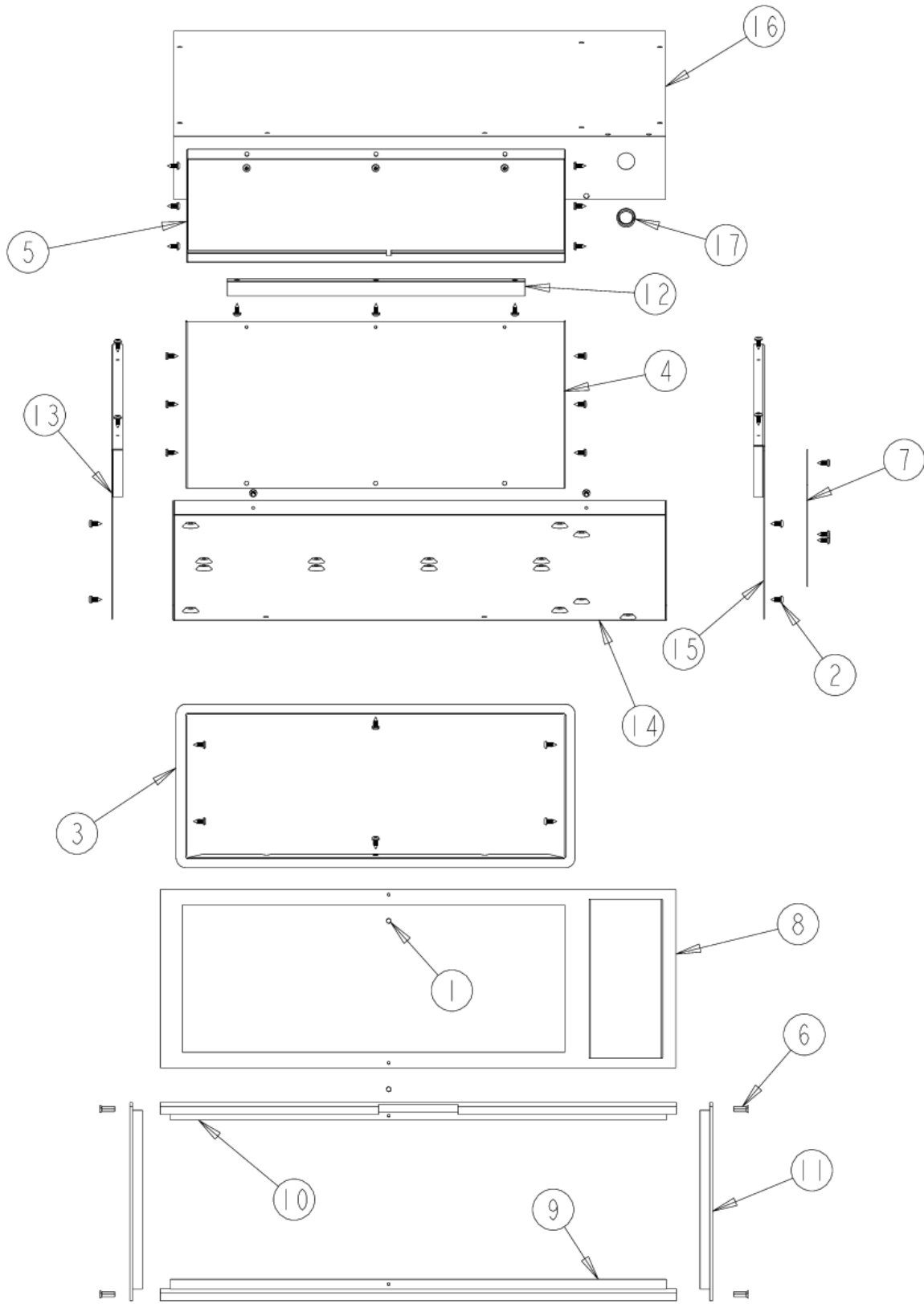
Item	Part No.	Name	Qty	Uom	NOTES
1	PD030012	6-32 HEX NUT	1	EA	
2	PD020032	SRW-8(A)X3/8"PH.WFR HD 7/16DIA*NICL	1	EA	
3	PD020087	10 X 1/2 PAN PH. TEK ZINC	1	EA	
4	PD020076	6-32 X 3/8" PHILL PAN MS	1	EA	
5	PC020022	WARMING DRAWER SLIDES	1	EA	
6	B2004151	INSIDE PANEL RH (VEWD)	1	EA	NO LONGER AVAILABLE
7	B2004152	INSIDE PANEL LH (VEWD)	1	EA	NO LONGER AVAILABLE
8	PA030005	6OZ. STAINLESS STEEL BOWL (6960)	1	EA	
9	PC040019	POP RIVET (0.125 GR X 0.156 DIA)	1	EA	
10	B2003180	FRONT RACK - (VEWD172)	1	EA	
11	B2003181	REAR RACK - (VEWD172)	1	EA	
12	G3004144	WARMING DRAWER WELD ASSY - (27")	1	EA	NO LONGER AVAILABLE

EXTERIOR UNIT AREA





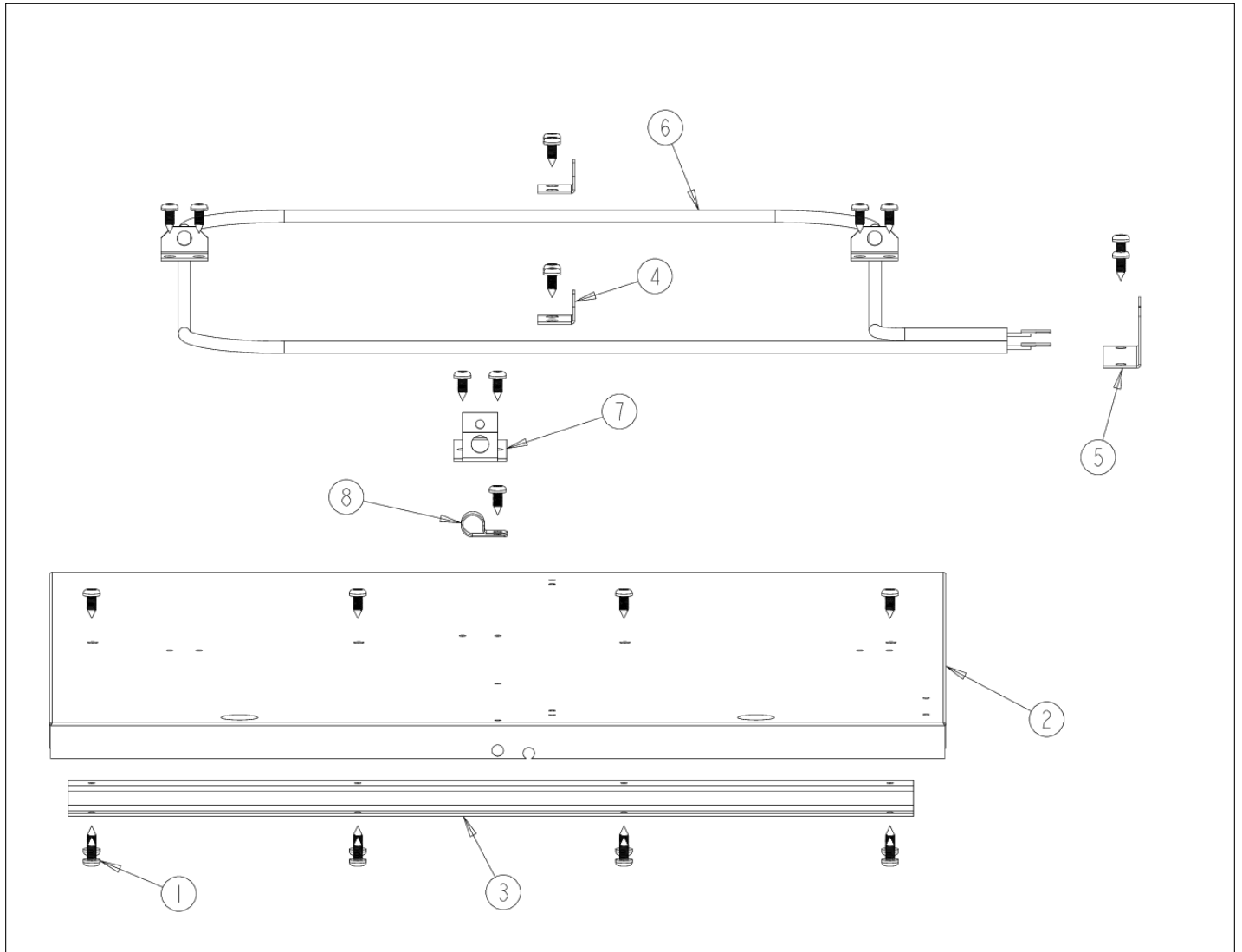
Item	Part No.	Name	Qty	Uom	NOTES
1	PC040010	POP RIVET (.063/GR -.125) GAMD42-A	1	EA	
2	PD020087	10 X 1/2 PAN PH. TEK ZINC	1	EA	
3	B2004188	GASKET FRAME - (VEWD172)	1	EA	NO LONGER AVAILABLE
NI	PB070072	WARMING DRAWER GASKET 6'/UNIT	1	EA	
4	B2004180	REAR INSIDE PANEL - 27" (VEWD)	1	EA	NO LONGER AVAILABLE, Not available online / Call for pricing and availability
5	B20013485	TOP INSIDE PANEL 27" (VEWD173)	1	EA	NO LONGER AVAILABLE, Not available online / Call for pricing and availability
6	PD020150	' #6 X 1/2 PH. CT. SK. SMS. ""SS""	1	EA	
7	A1004135	ACCESS PLATE (VEWD)	1	EA	
8	B20013490	FRONT FRAME (DEWD171)	1	EA	NO LONGER AVAILABLE, Not available online / Call for pricing and availability
9	PE040291	BOTTOM TRIM (DEWD171)	1	EA	NO LONGER AVAILABLE
10	PE040298	TOP TRIM (DEWD171)	1	EA	NO LONGER AVAILABLE
11	PE040293	SIDE TRIM (DEWD)	1	EA	NO LONGER AVAILABLE
12	B2004125	DRAWER STOP 27"	1	EA	Not available online / Call for pricing and availability
13	A20013482	O/S PANEL - LH	1	EA	Not available online / Call for pricing and availability
14	A2004181	BOTTOM OUTER PANEL	1	EA	Not available online / Call for pricing and availability
15	A30013479	O/S SIDE - RH	1	EA	Not available online / Call for pricing and availability





Item	Part No.	Name	Qty	Uom	NOTES
16	A2004182	OUTER TOP PANEL	1	EA	Not available online / Call for pricing and availability
17	PD040005	SNAP BUSHING - 7/8"	1	EA	

LOWER UNIT AREA





Item	Part No.	Name	Qty	Uom	NOTES
1	PD020087	10 X 1/2 PAN PH. TEK ZINC	1	EA	
2	B2004185	BOTTOM INSIDE PANEL - 27" (VEWD)	1	EA	NO LONGER AVAILABLE, Not available online / Call for pricing and availability
3	A2007077	27"" WARMING DRAWER BRKT	1	EA	NO LONGER AVAILABLE, Not available online / Call for pricing and availability
4	B2004147	ELEMENT BRACKET (VEWD)	1	EA	
5	B2004141	BRACKET	1	EA	
6	PJ010010	ELEMENT - 27" (VEWD)	1	EA	
7	B2004148	THERMAL BULB BRKT (VEWD)	1	EA	
8	PD030009	CLAMP, AL-8 (.500")	1	EA	



Appendix A:Pages Index

CONTROL AREA	1
DOOR ASSEMBLY	2
DRAWER AREA	3
EXTERIOR UNIT AREA	4
LOWER UNIT AREA	5



Appendix B:Parts Index

003005-002	1	G32013447GGBR	2
A1002457	1	G32013447SG	2
A1004135	4	G32013447SGBR	2
A20013478	1	G32013447SS	2
A20013482	4	G32013447SSBR	2
A2002195	1	G32013447WH	2
A2004181	4	G32013447WHBR	2
A2004182	4	M6006255BK	2
A2006075	1	PA030005	3
A2007077	5	PB010167	1
A30013479	4	PB010201	1
B20013446	2	PB070072	4
B20013464	2	PC020022	3
B20013480	1	PC040010	4
B20013485	4	PC040019	3
B20013490	4	PD010019	2
B20015118	2	PD020009	1
B2003180	3	PD020010	1
B2003181	3	PD020032	2, 3
B2004125	4	PD020076	1, 3
B2004141	5	PD020087	1, 3, 4, 5
B2004147	5	PD020112	2
B2004148	5	PD020150	4
B2004151	3	PD030009	5
B2004152	3	PD030010	2
B2004180	4	PD030012	3
B2004185	5	PD030069	2
B2004188	4	PD040005	4
B92013445	2	PD950012	2
C92012445SG	2	PD950013	2
C92013445BK	2	PE030165	2
C92013445BT	2	PE030165PVD	2
C92013445GG	2	PE040236	1
C92013445WH	2	PE040291	4
G3004144	3	PE040293	4
G32013447BK	2	PE040298	4
G32013447BKBR	2	PE050023	1
G32013447BT	2	PE050024	1
G32013447BTBR	2	PE050084	2
G32013447GG	2	PE070147	1
		PF010015	2



PJ010010 5