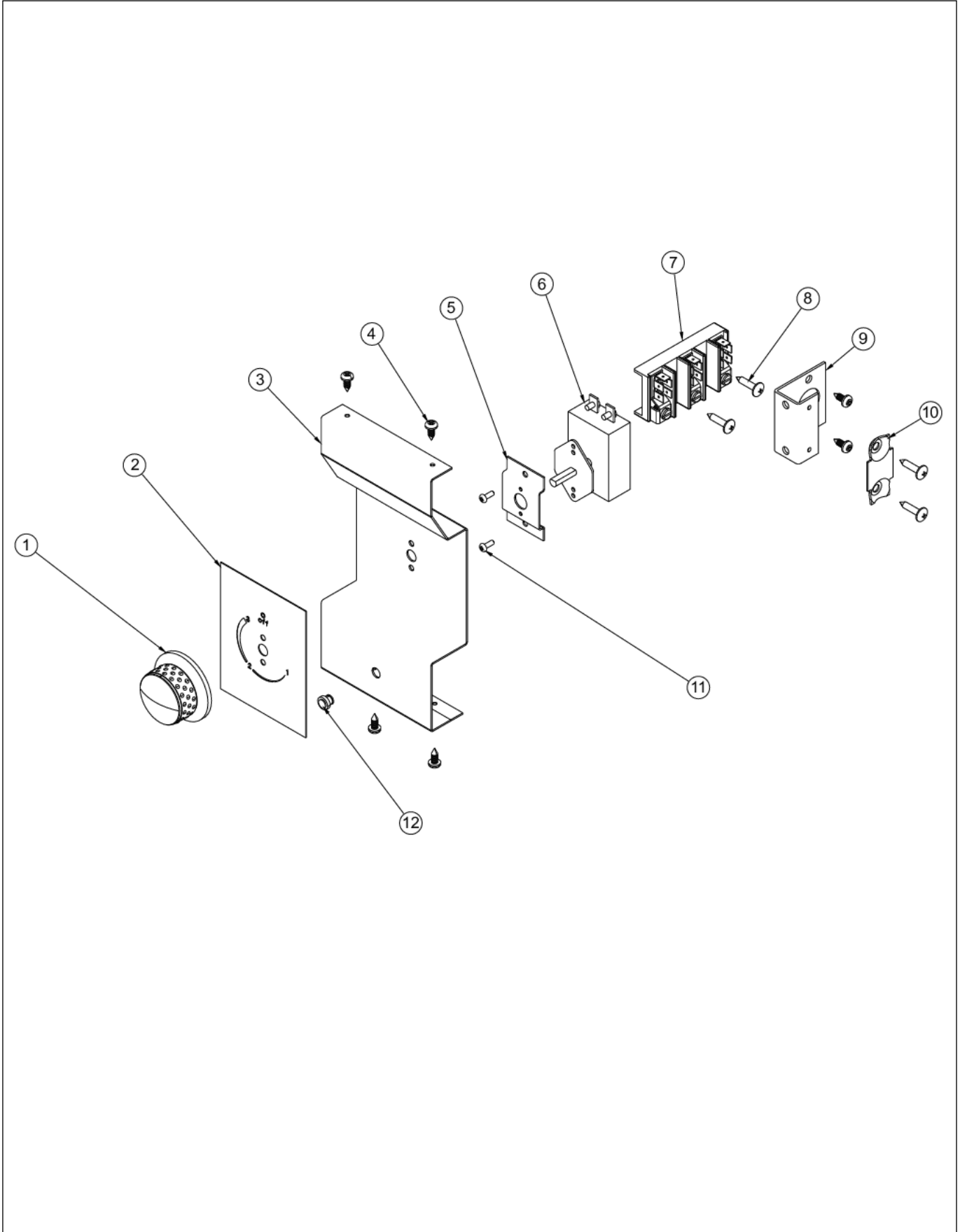


DEWD102

CONTROL AREA	1
DOOR ASSEMBLY	2
DRAWER AREA	3
EXTERIOR AREA	4
HARNESS	5
LOWER UNIT AREA	6
WIRING DIAGRAM	7
Appendix A:Pages Index	A
Appendix B:Parts Index	B

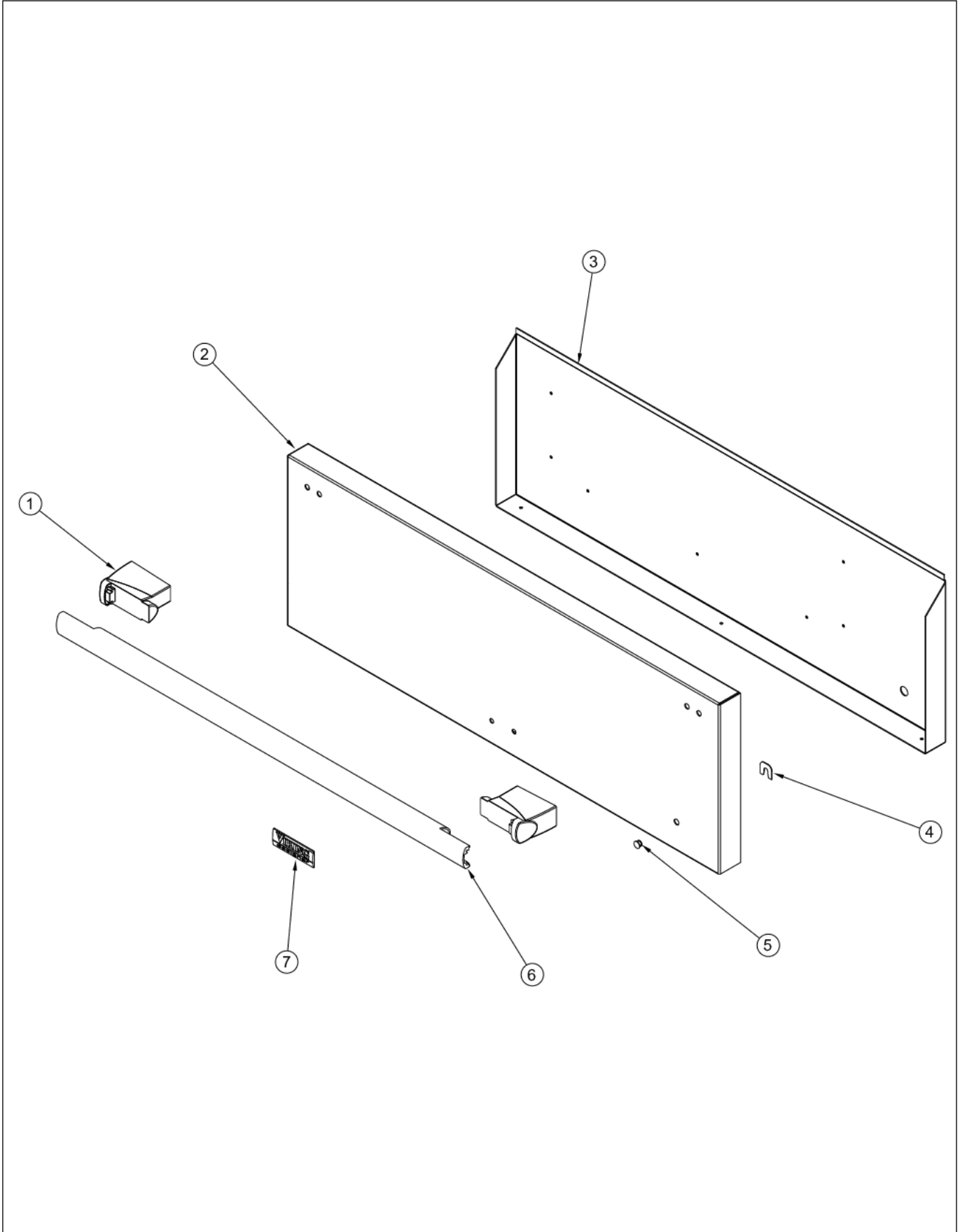
CONTROL AREA





Item	Part No.	Name	Qty	Uom	NOTES
1	023970-000	DESIGNER KNOB	1	EA	
2	024912-000	CONTROL PANEL W/GRAPHICS	1	EA	
3	015021-000	DEWD102 CONTROL PANEL	1	EA	Not available online / Call for pricing and availability
Not Shown	NOTE	(BEFORE 10/5/10)		EA	
Not Shown	025019-000	PLATE, CONTROL PANEL	1	EA	
Not Shown	NOTE	(ON OR AFTER 10/5/10)		EA	
4	PD020087	10 X 1/2 PAN PH. TEK ZINC	6	EA	
5	A2006075	THERMOSTAT SPACER, DESIGNER	1	EA	Not available online / Call for pricing and availability
6	PB010167	THERMOSTAT	1	EA	
7	PE070147	TERMINAL BLOCK (VDSC)	1	EA	
8	PD020009	10 X 1 PH. HD. PAN HD. SMS	4	EA	
9	A2002195	POWER CORD MOUNTING BRKT (VDSC)	1	EA	
10	A1002457	POWER CORD MOUNTING STRAP (VDSC)	1	EA	
11	PD020076	6-32 X 3/8" PHILL PAN MS	1	EA	
12	017211-000	INDICATOR LIGHT XL SNAP IN CLEAR LIGHT	1	EA	

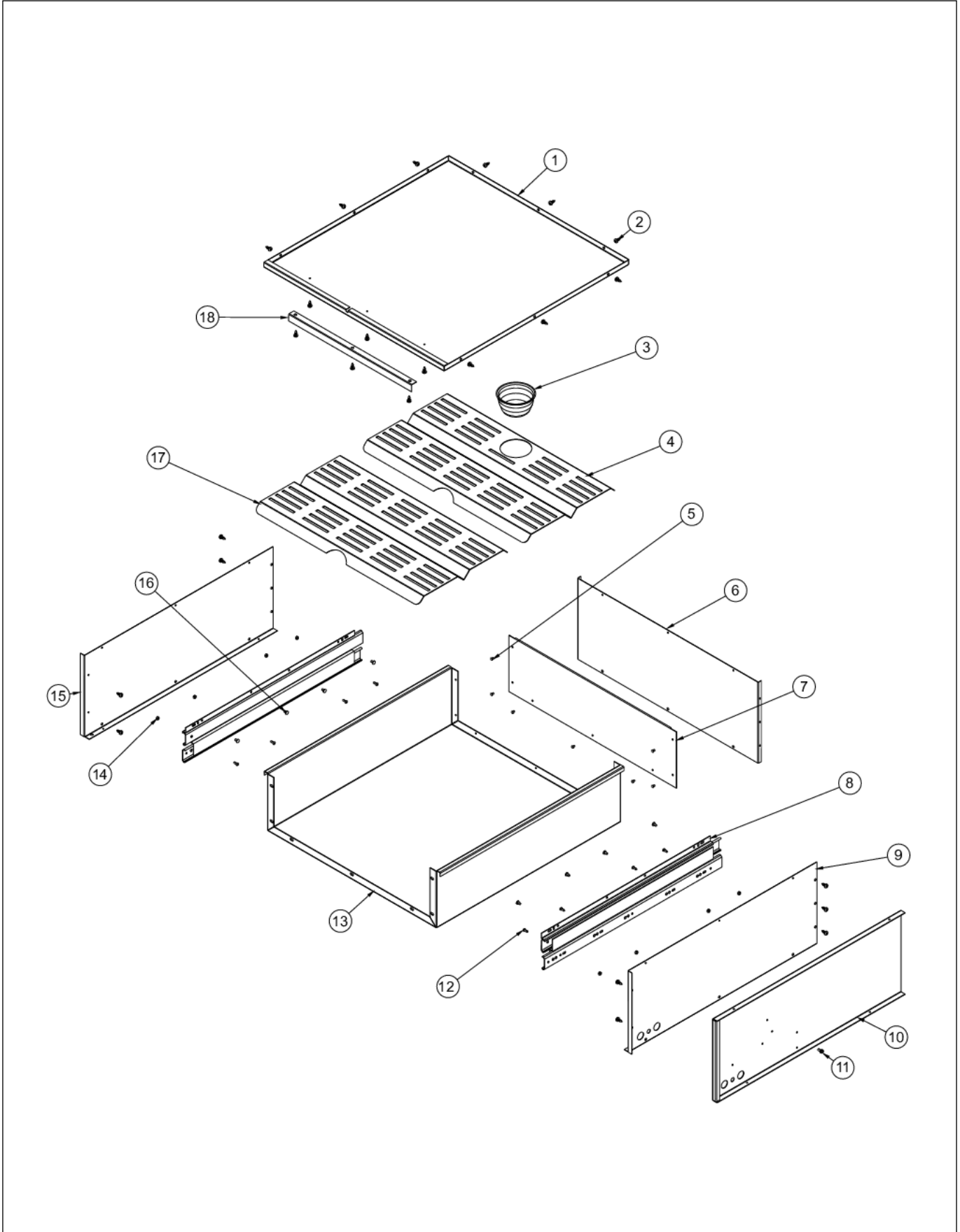
DOOR ASSEMBLY





Item	Part No.	Name	Qty	Uom	NOTES
1	009083-000	DESIGNER HANDLE ENDCAP - NLA	2	EA	
2	015049-000	30" O/S DOOR PANEL (DEWD) - SS	1	EA	
3	015047-000	DOOR INSIDE PANEL (DEWD/DFWD102)	1	EA	
4	003931-000	LIGHT BULB BRKT VEWD	1	EA	
5	015174-000	LENS, BLUE	1	EA	
6	009601-000	DESIGNER 30" HANDLE (BOWERS 04201-10003)	1	EA	
7	013700-000	2.75" DESIGNER LOGO WITH PINS	1	EA	
NI	PD950012	STRIKE PANEL ACCESS	1	EA	
NI	PD950013	LATCH PANEL ACCESS	1	EA	

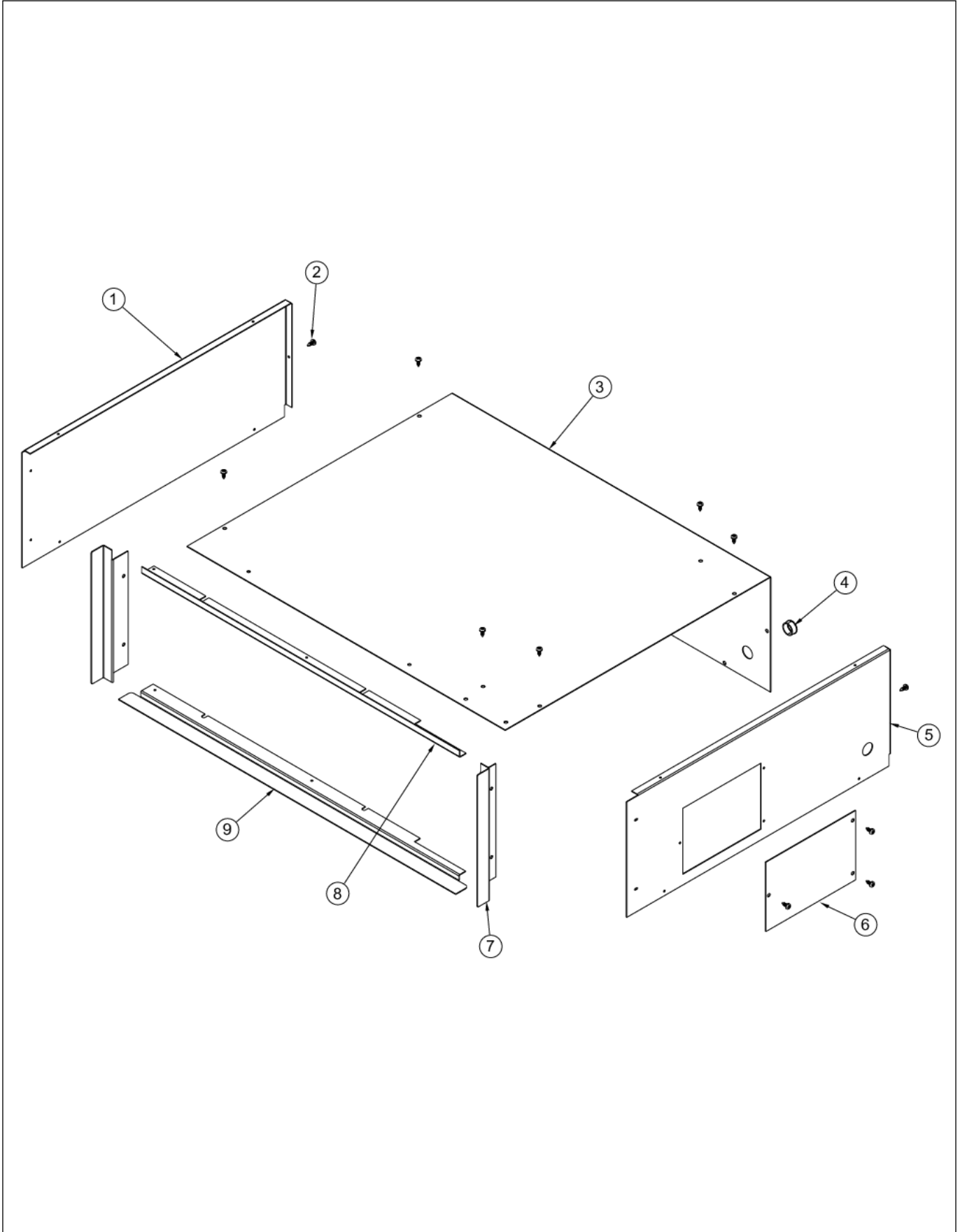
DRAWER AREA





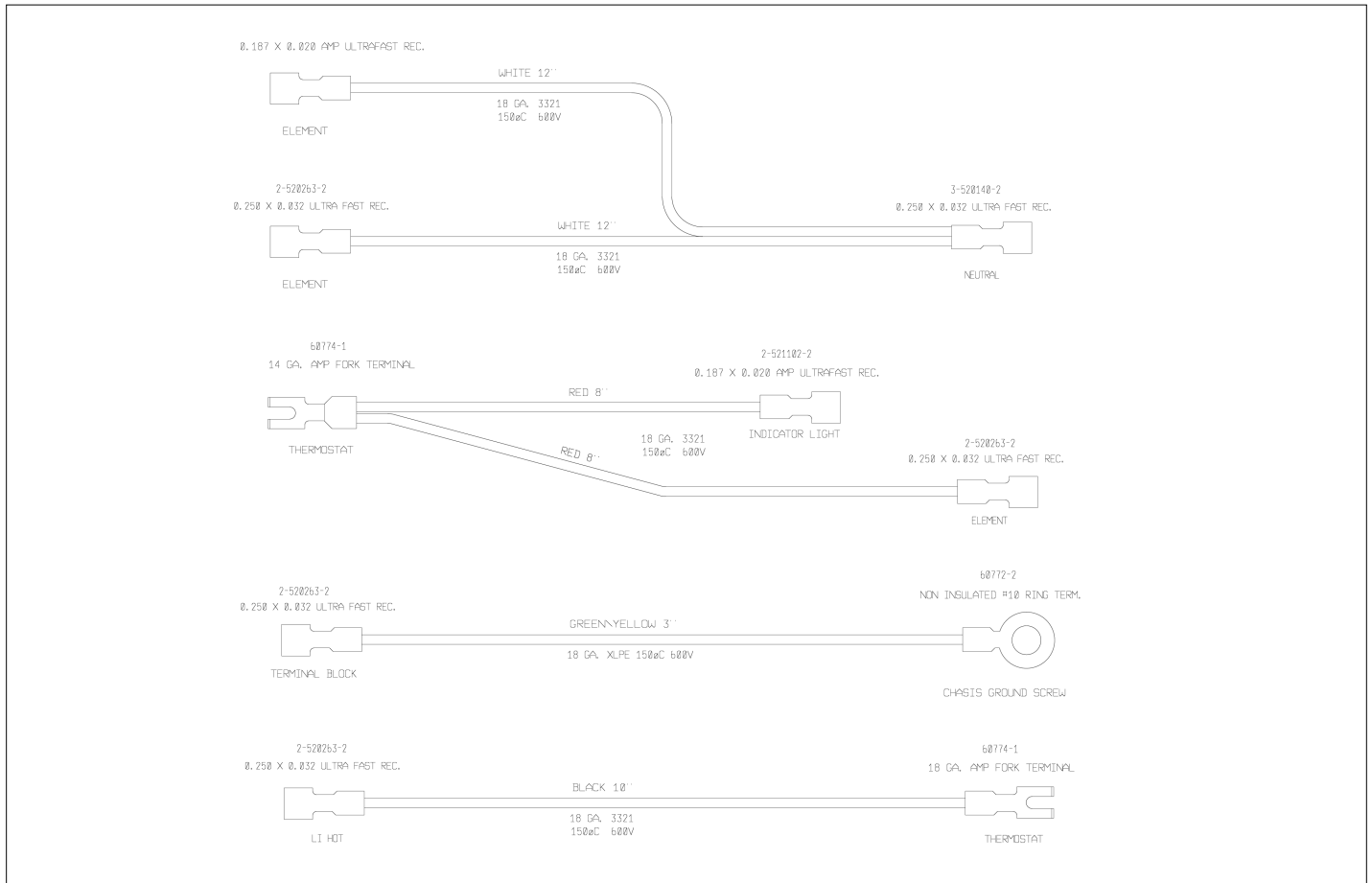
Item	Part No.	Name	Qty	Uom	NOTES
1	005026-000	30" I/S TOP PANEL VEWD103	1	EA	Not available online / Call for pricing and availability
2	PD020087	10 X 1/2 PAN PH. TEK ZINC	24	EA	
3	PA030005	6OZ. STAINLESS STEEL BOWL (6960)	1	EA	
4	B2004132	REAR RACK - 30" (VEWD)	1	EA	
5	PC040010	POP RIVET (.063/GR -.125) GAMD42-A	6	EA	
6	B2004176	REAR INSIDE PANEL - 30" (VEWD)	1	EA	NO LONGER AVAILABLE
7	B20015248	WARMING DRAWER BACK (30")	1	EA	
8	PC020022	WARMING DRAWER SLIDES	2	EA	
9	004646-000	RH INNER WALL	1	EA	
10	003393-000	INSULATION PANEL VEWD	1	EA	
11	PD020010	10 X 3/8 GREEN GROUNDING SCREW	1	EA	
12	PD020076	6-32 X 3/8" PHILL PAN MS	8	EA	
13	016456-000	WARMING DRAWER 30" ASM	1	EA	
14	PD030012	6-32 HEX NUT	8	EA	
15	005027-000	LH INNER WALL VEWD	1	EA	
16	PC040019	POP RIVET (0.125 GR X 0.156 DIA)	8	EA	
17	B2004131	FRONT RACK - 30" (VEWD)	1	EA	
18	B2004125	DRAWER STOP 27"	1	EA	Not available online / Call for pricing and availability

EXTERIOR AREA





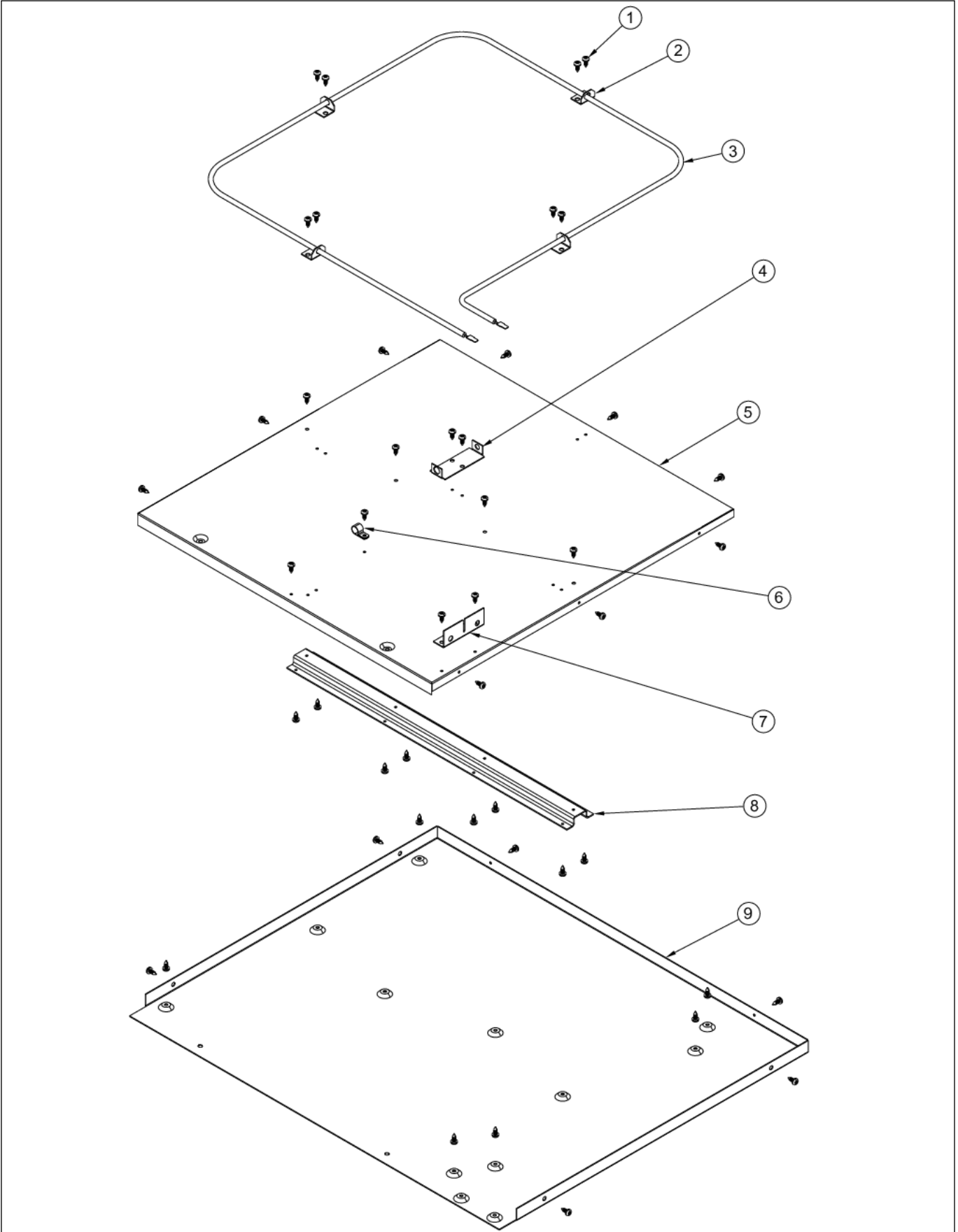
Item	Part No.	Name	Qty	Uom	NOTES
1	015044-000	LH OUTER SIDE PANEL (DEWD102)	1	EA	Not available online / Call for pricing and availability
2	PD020087	10 X 1/2 PAN PH. TEK ZINC	11	EA	
3	005489-000	30" OUTER TOP PANEL VEWD103	1	EA	
4	PD040005	SNAP BUSHING - 7/8"	1	EA	
5	015045-000	RH OUTER SIDE PANEL (DEWD102)	1	EA	
6	A1004135	ACCESS PLATE (VEWD)	1	EA	
7	014023-000	LH/RH DESIGNER WD SIDE TRIM	2	EA	
8	015124-000	DESIGNER WD TOP TRIM	1	EA	
9	015128-000	DESIGNER WD BOTTOM TRIM	1	EA	





Item	Part No.	Name	Qty	Uom	NOTES
1	017509-000	WIRING HARNESS, DEWD102	1	EA	

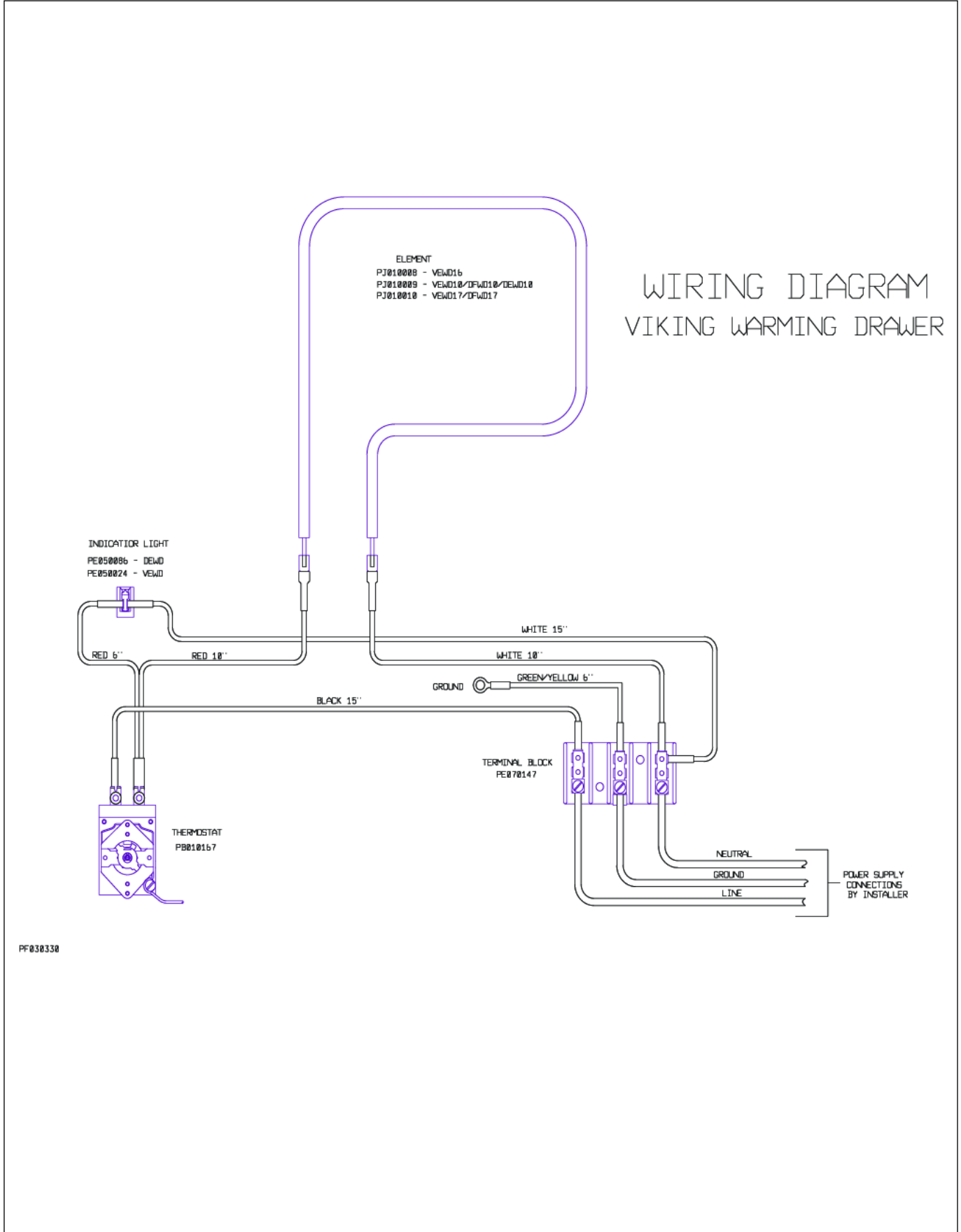
LOWER UNIT AREA





Item	Part No.	Name	Qty	Uom	NOTES
1	PD020087	10 X 1/2 PAN PH. TEK ZINC	46	EA	
2	B2004147	ELEMENT BRACKET (VEWD)	4	EA	
3	PJ010009	ELEMENT - 30" (VEWD)	1	EA	
4	024166-000	THERMOBULB BRACKET	1	EA	
5	B20015280	BOTTOM INSIDE PANEL - 30" (VEWD)	1	EA	
6	PD030148	CLAMP CABLE ALUMINUM .500 DIA.	1	EA	
7	B2004141	BRACKET	1	EA	
8	A2007075	30"" WARMING DRAWER BRKT	1	EA	NO LONGER AVAILABLE
9	002437-000	30" WARMING DRAWER BOTTOM AL	1	EA	

WIRING DIAGRAM





Appendix A:Pages Index

CONTROL AREA	1
DOOR ASSEMBLY	2
DRAWER AREA	3
EXTERIOR AREA	4
HARNESS	5
LOWER UNIT AREA	6
WIRING DIAGRAM	7



Appendix B:Parts Index

002437-000	6	PB010167	1
003393-000	3	PC020022	3
003931-000	2	PC040010	3
004646-000	3	PC040019	3
005026-000	3	PD020009	1
005027-000	3	PD020010	3
005489-000	4	PD020076	1, 3
009083-000	2	PD020087	1, 3, 4, 6
009601-000	2	PD030012	3
013700-000	2	PD030148	6
014023-000	4	PD040005	4
015021-000	1	PD950012	2
015044-000	4	PD950013	2
015045-000	4	PE070147	1
015047-000	2	PJ010009	6
015049-000	2		
015124-000	4		
015128-000	4		
015174-000	2		
016456-000	3		
017211-000	1		
017509-000	5		
023970-000	1		
024166-000	6		
024912-000	1		
025019-000	1		
A1002457	1		
A1004135	4		
A2002195	1		
A2006075	1		
A2007075	6		
B20015248	3		
B20015280	6		
B2004125	3		
B2004131	3		
B2004132	3		
B2004141	6		
B2004147	6		
B2004176	3		
PA030005	3		