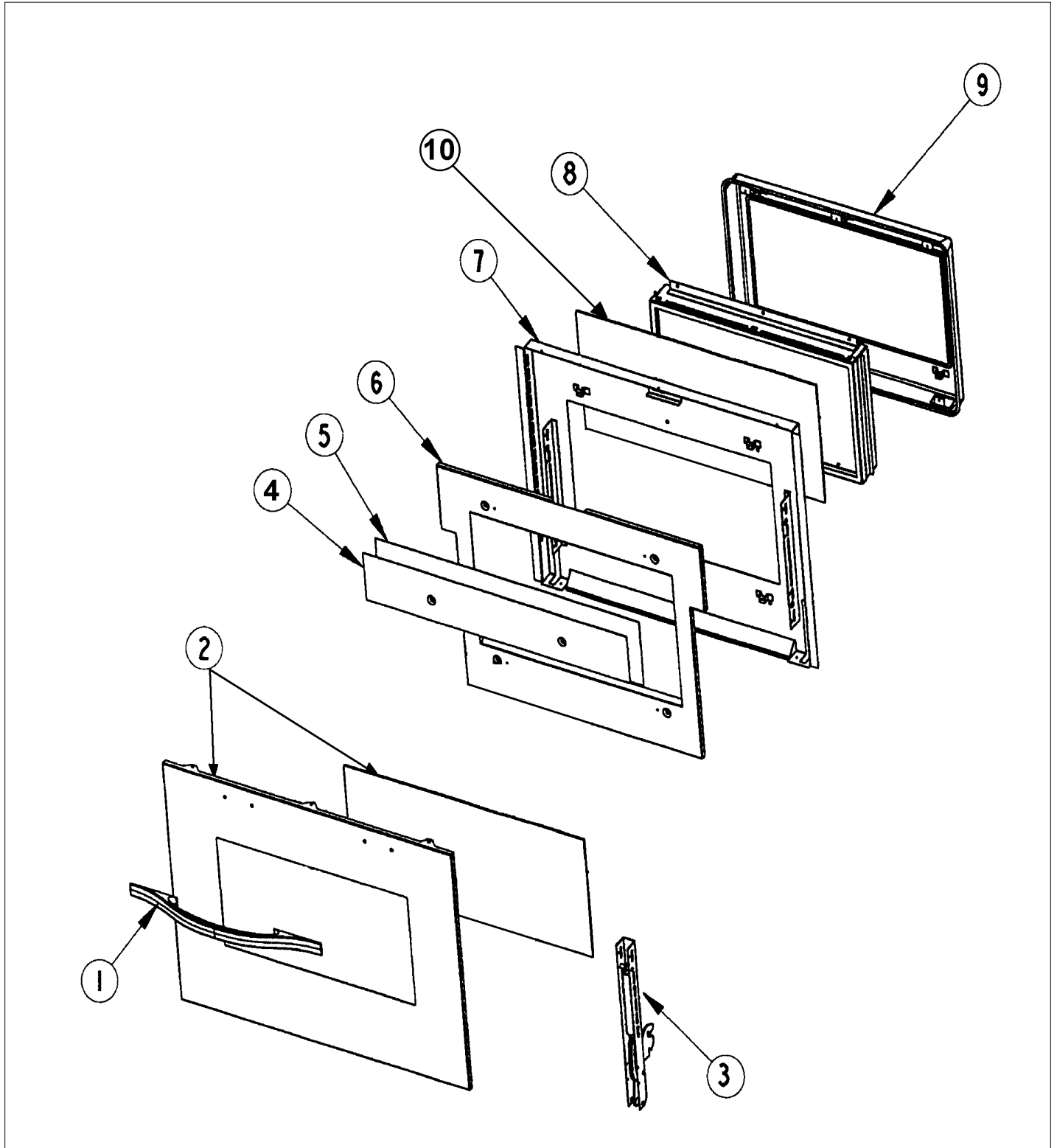


**DESO171**

DOOR ASSY .....	1
FLOW CHART NEW BOARD BAKE .....	2
FLOW CHART NEW BOARD DOOR LOCK .....	3
FLOW CHART SELF CLEAN .....	4
OVEN CAVITY ASSY .....	5
REAR ASSY .....	6
UPPER UNIT ASSY .....	7
Appendix A:Pages Index .....	A
Appendix B:Parts Index .....	B



DOOR ASSY



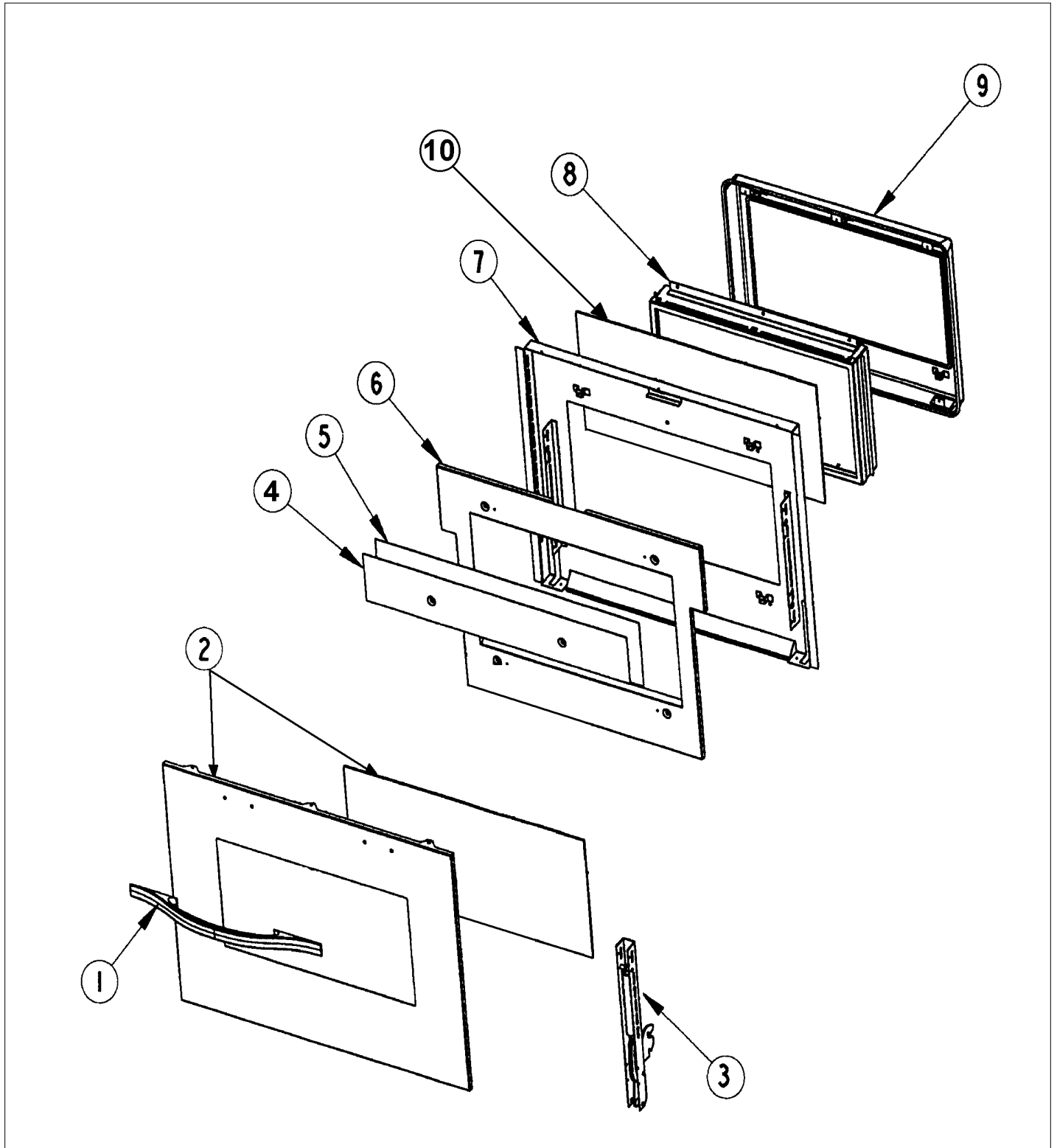
Item	Part No.	Name	Qty	Uom	NOTES
1	PE030165	27" DOOR HANDLE	1	EA	
Not Shown	PE030165PVD	27" DOOR HANDLE PVD	1	EA	NO LONGER AVAILABLE
2	G5008295BK	O/S DOOR SKIN ASSEMBLY (DESIGN)	1	EA	NO LONGER AVAILABLE
Not Shown	G5008295BT	O/S DOOR SKIN ASSEMBLY (DESIGN)	1	EA	NO LONGER AVAILABLE
Not Shown	G5008295GG	O/S DOOR SKIN ASSEMBLY (DESIGN)	1	EA	NO LONGER AVAILABLE
Not Shown	G5008295SG	O/S DOOR SKIN ASSEMBLY (DESIGN)	1	EA	NO LONGER AVAILABLE, Not available online / Call for pricing and availability
Not Shown	G5008295SS	O/S DOOR SKIN ASSEMBLY (DESIGN)	1	EA	
Not Shown	G5008295WH	O/S DOOR SKIN ASSEMBLY (DESIGN)	1	EA	NO LONGER AVAILABLE
3	006072-000	HINGE, DOOR, ASM, MANSFIELD, DES, GREEN SPRING	1	EA	

Comments for Part Num. 006072-000

bradleysapplianceservice@shaw.ca on Sep 13, 2017

SUBS TO: 006072-000 OVEN DOOR HINGE - GREEN SPRING

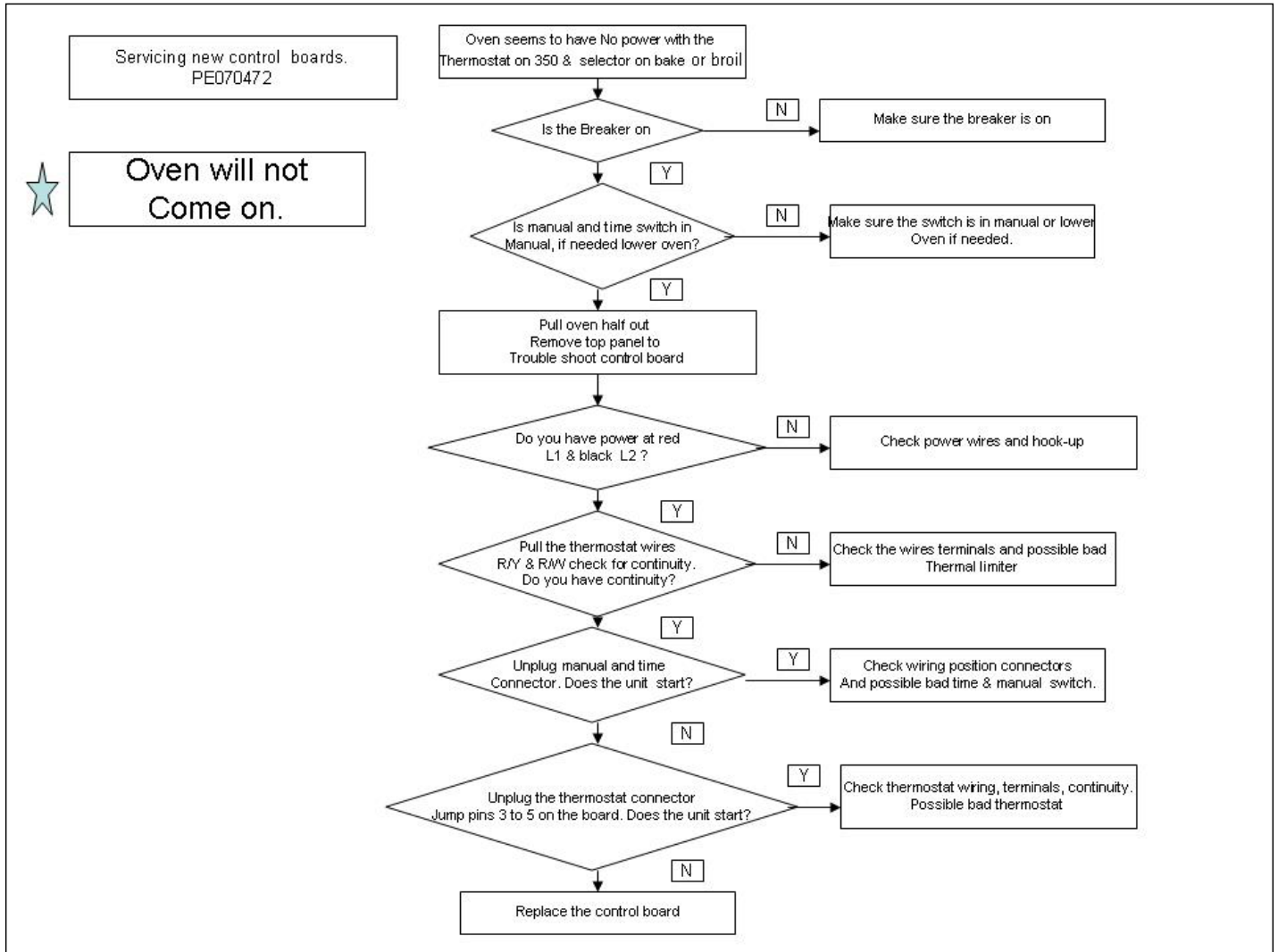
4	A1006198	OUTER DOOR HEAT SHEILD 27	1	EA	
5	A1006197	INNER DOOR HEAT SHEILD 27	1	EA	
6	A2006007	27" DOOR INSULATION RETAINER	1	EA	
NI	000623-000	DOOR GASKET(3/8"DIA.) (VDSC)	1	EA	
7	G50010119	DESO170/175/DEDO270/275 DR LINER SVC-KIT	1	EA	
8	H3006155	27 INNER GLASS PK FRAME ASSY	1	EA	
9	G50010119	DESO170/175/DEDO270/275 DR LINER SVC-KIT	1	EA	
10	PE060056	27" GLASS PACK GLASS H.T.	1	EA	
NI	PB070092	BOARD INSULATION 27"	1	EA	
NI	G3207968BK	DOOR ASSY *BK* (DEDO270/DESO170)	1	EA	NO LONGER AVAILABLE





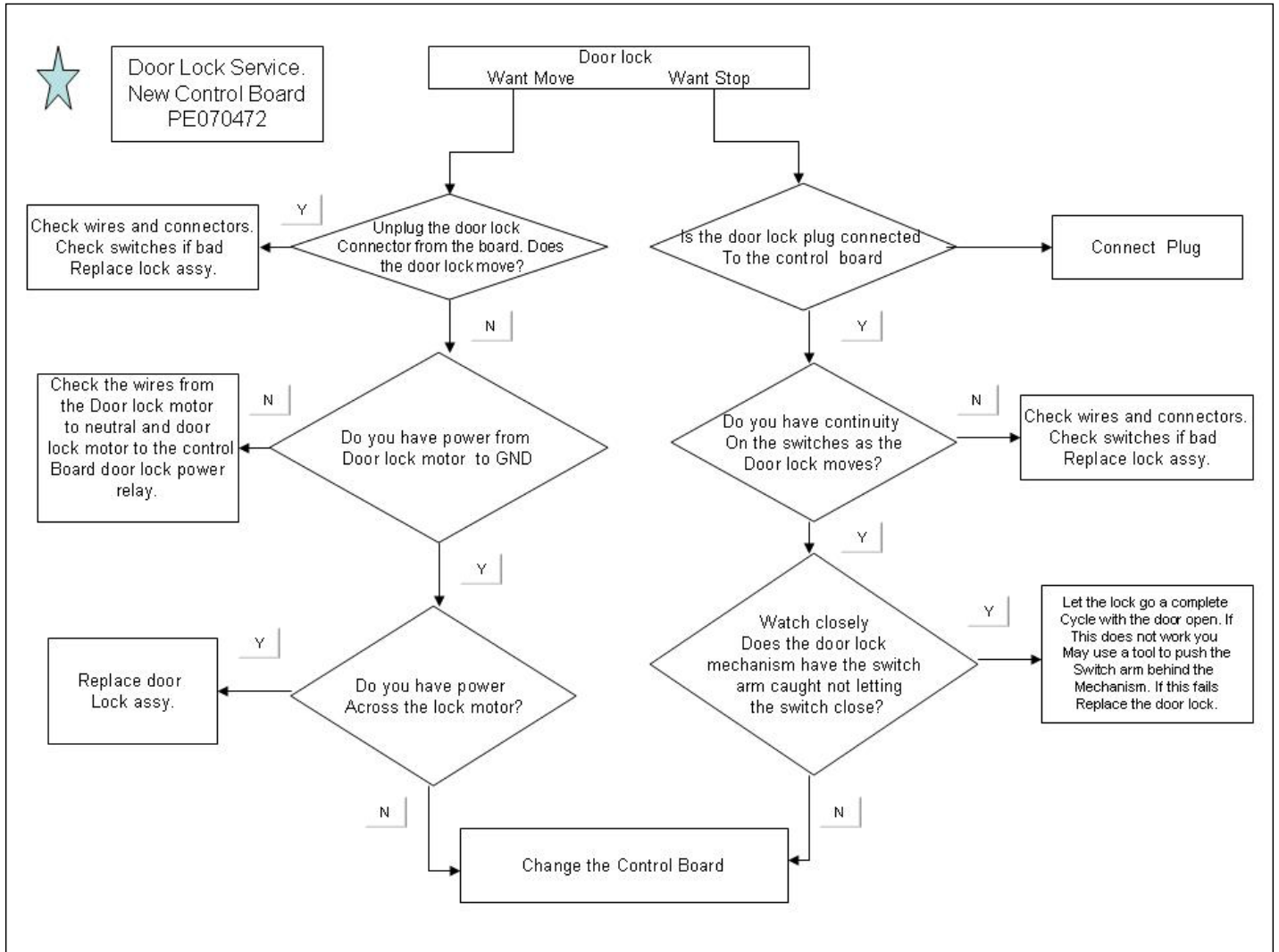
Item	Part No.	Name	Qty	Uom	NOTES
Not Shown	G3207968BKBR	DOOR ASSY. - BKBR	1	EA	Not available online / Call for pricing and availability
Not Shown	G3207968BT	DOOR ASSY *BT* (DEDO270/DESO170)	1	EA	NO LONGER AVAILABLE
Not Shown	G3207968BTBR	DOOR ASSY. - BTBR	1	EA	Not available online / Call for pricing and availability
Not Shown	G3207968GG	DOOR ASSY *GG* (DEDO270/DESO170)	1	EA	NO LONGER AVAILABLE, Not available online / Call for pricing and availability
Not Shown	G3207968GGBR	DOOR ASSY. - GGBR	1	EA	Not available online / Call for pricing and availability
Not Shown	G3207968SG	DOOR ASSY *SG* (DEDO270/DESO170)	1	EA	
Not Shown	G3207968SGBR	DOOR ASSY *SG*BR* (DEDO270/DESO170)	1	EA	NO LONGER AVAILABLE, Not available online / Call for pricing and availability
Not Shown	G3207968SS	DOOR ASSY *SS* (DEDO270/DESO170)	1	EA	
Not Shown	G3207968SSBR	DOOR ASSY. - SSBR	1	EA	Not available online / Call for pricing and availability
Not Shown	G3207968WH	DOOR ASSY *WH* (DEDO270/DESO170)	1	EA	NO LONGER AVAILABLE
Not Shown	G3207968WHBR	DOOR ASSY. - WHBR	1	EA	Not available online / Call for pricing and availability
NI	PD020032	SRW-8(A)X3/8"PH.WFR HD 7/16DIA*NICL	1	EA	
NI	B1007913	HINGE CLIP (DESIGNER TIME PIECE)	1	EA	

# FLOW CHART NEW BOARD BAKE

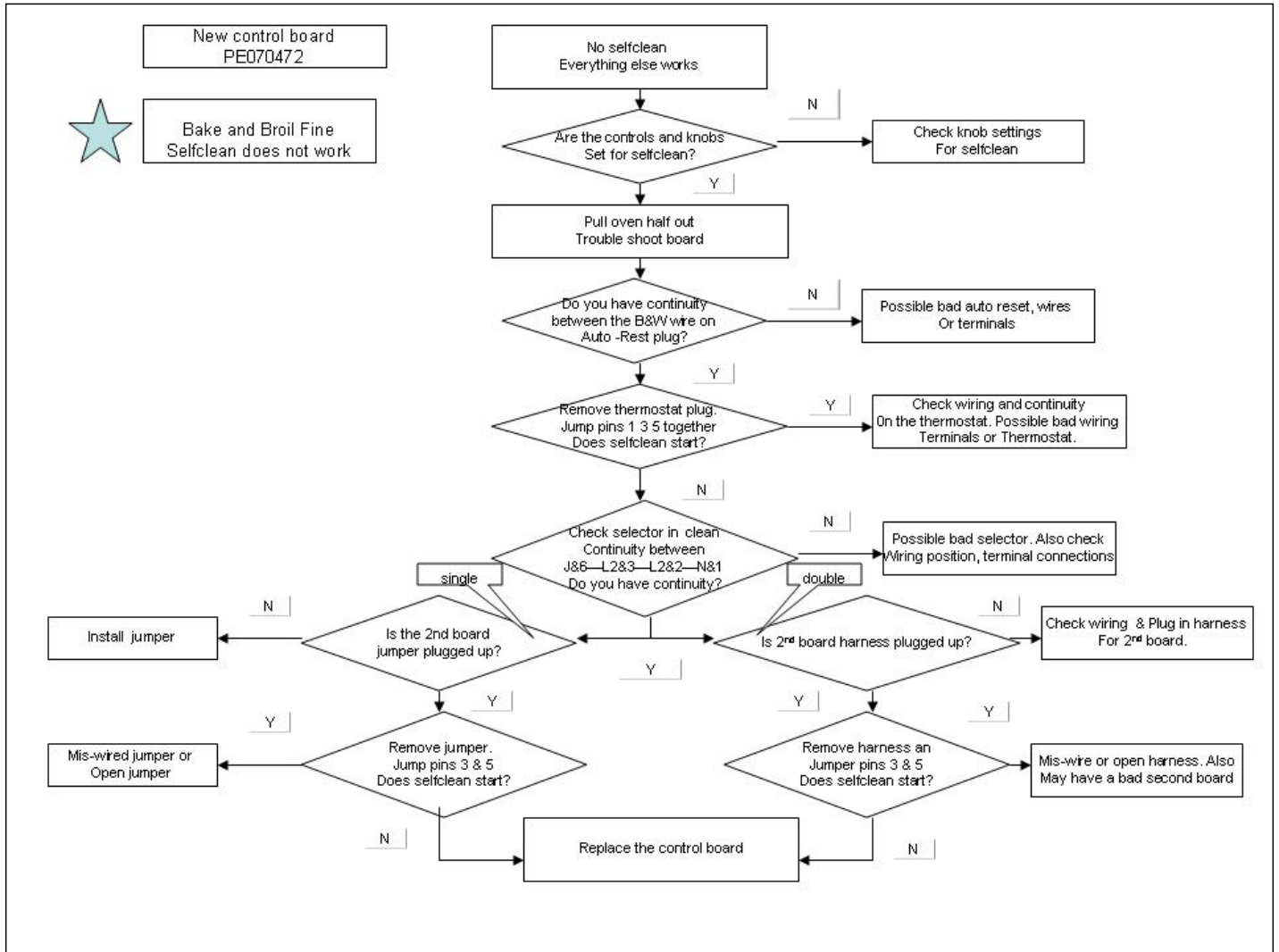




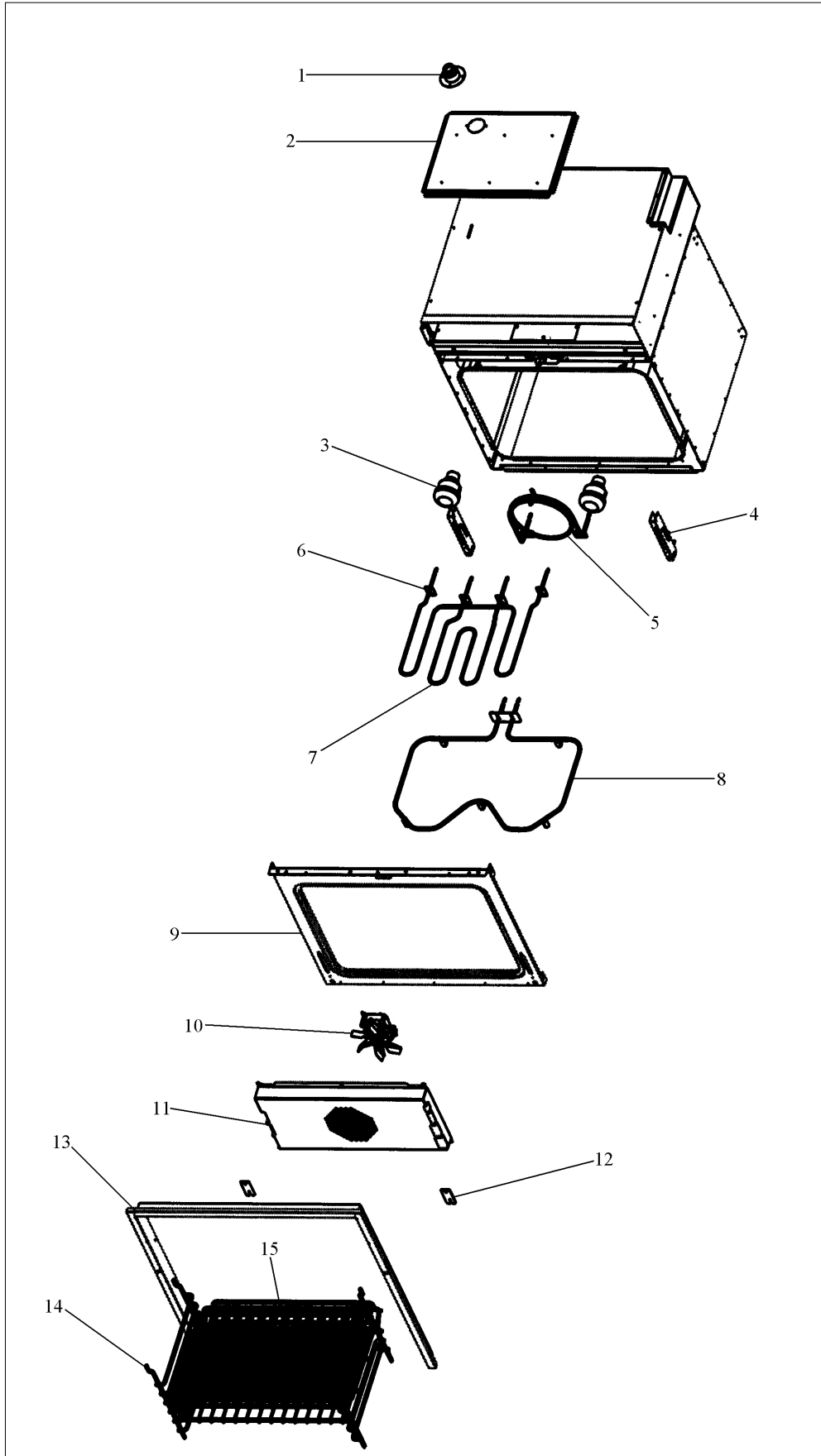
## FLOW CHART NEW BOARD DOOR LOCK



## FLOW CHART SELF CLEAN

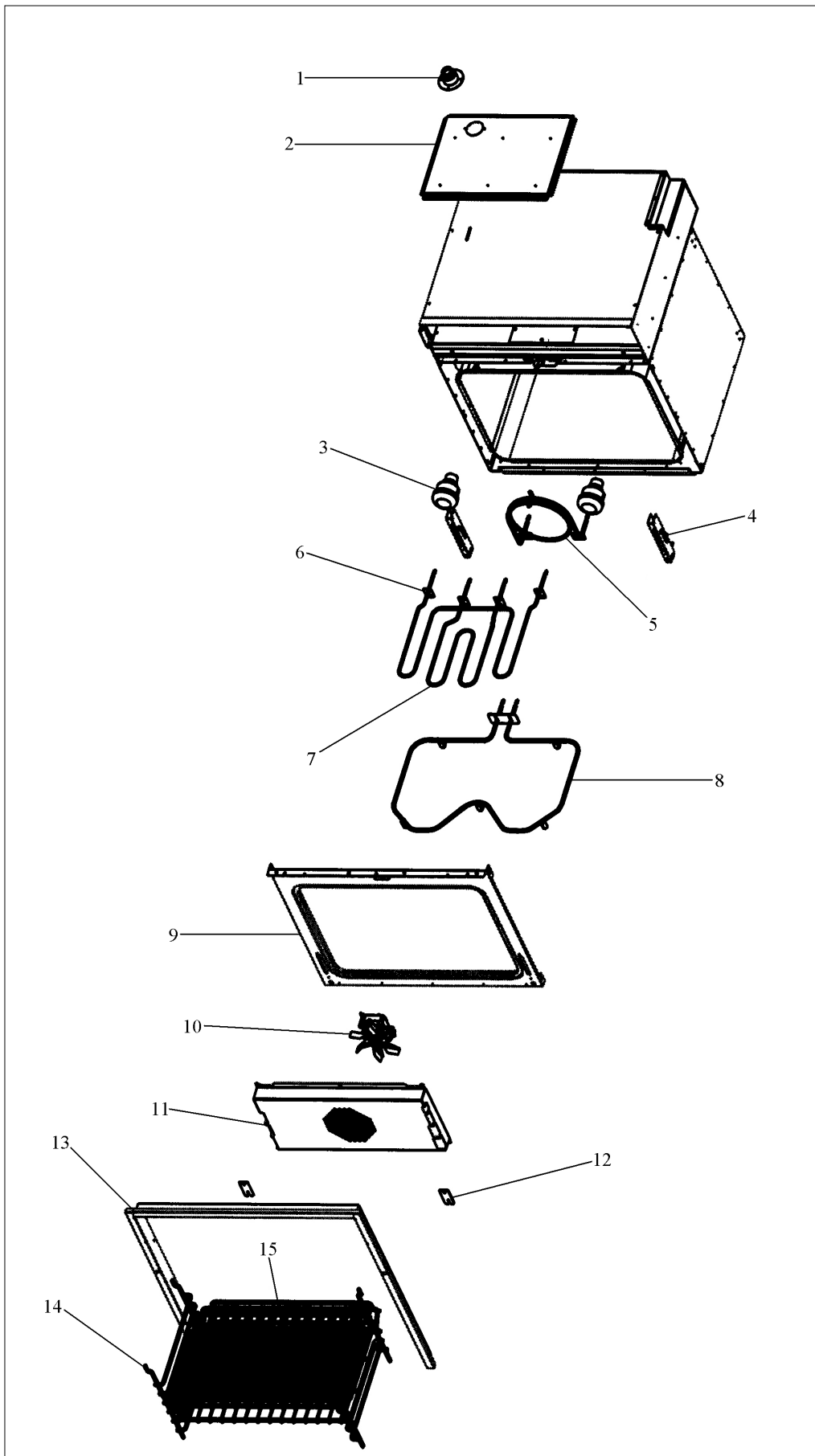


OVEN CAVITY ASSY





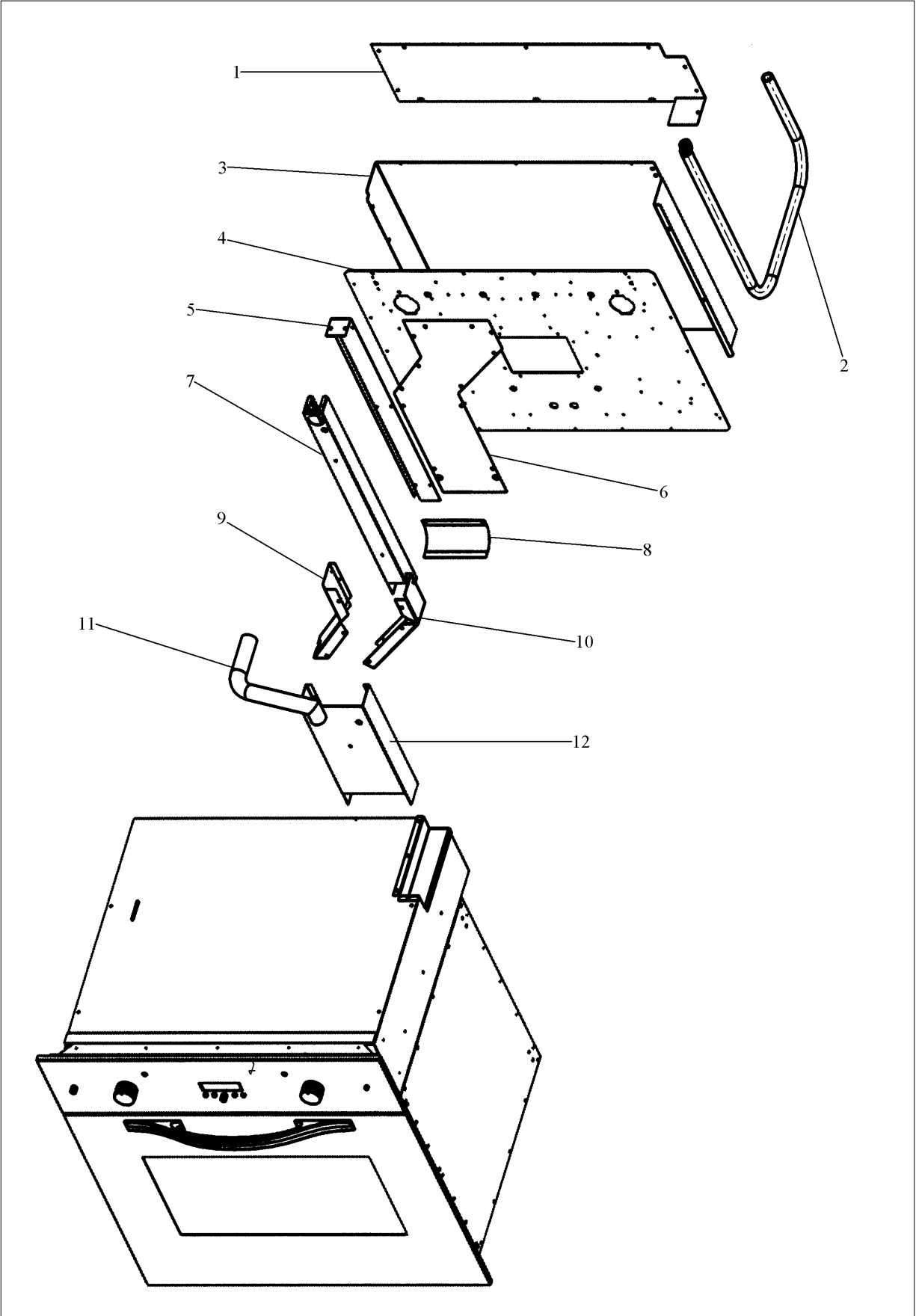
Item	Part No.	Name	Qty	Uom	NOTES
1	PM010014	SMOKE ELIMINATOR (VDSC)	1	EA	
2	B2004311	BROILER TOP (27") (VESO176/DO276)	1	EA	NO LONGER AVAILABLE
3	031449-000	LAMP, ASM	1	EA	
4	006072-000	HINGE, DOOR, ASM, MANSFIELD, DES, GREEN SPRING	1	EA	
<p>Comments for Part Num. 006072-000</p> <p>bradleysapplianceservice@shaw.ca on Sep 13, 2017</p> <p>SUBS TO: 006072-000 OVEN DOOR HINGE - GREEN SPRING</p>					
5	PJ010003	CONVECTION ELEMENT (VDSC) 240V	1	EA	
6	PJ010011	OUTSIDE BROIL ELEMENT (27" OVEN)240	1	EA	
7	PJ010001	BROIL ELEMENT 240V	1	EA	
8	PJ010012	BAKE ELEMENT (VESO176/VEDO276)240V	1	EA	
9	H9106146	27 INCH DESIGNER F.F. ASSEMBLY	1	EA	NO LONGER AVAILABLE, Not available online / Call for pricing and availability
10	PE050005	CONVECTION FAN ASSY	1	EA	
11	E9104309	CONVECTION FAN COVER	1	EA	NO LONGER AVAILABLE
12	B1007913	HINGE CLIP (DESIGNER TIME PIECE)	1	EA	
13	G30010585	SINGLE DESIGNER TRIM ASSY 27"	1	EA	NO LONGER AVAILABLE, Not available online / Call for pricing and availability
Not Shown	G90012653BK	SINGLE DESIGNER TRIM ASSY 27" *BK*	1	EA	NO LONGER AVAILABLE, Not available online / Call for pricing and availability
Not Shown	G90012653BT	SINGLE DESIGNER TRIM ASSY 27" *BT*	1	EA	NO LONGER AVAILABLE, Not available online / Call for pricing and availability





Item	Part No.	Name	Qty	Uom	NOTES
Not Shown	G90012653GG	SINGLE DESIGNER TRIM ASSY 27" *GG*	1	EA	NO LONGER AVAILABLE, Not available online / Call for pricing and availability
Not Shown	G90012653SG	SINGLE DESIGNER TRIM ASSY 27" *SG*	1	EA	NO LONGER AVAILABLE, Not available online / Call for pricing and availability
Not Shown	G90012653WH	SINGLE DESIGNER TRIM ASSY 27" *WH*	1	EA	NO LONGER AVAILABLE, Not available online / Call for pricing and availability
14	PB060030	RACK SUPT REPL PB060010	1	EA	
15	PB060048	OVEN RACK - 27"	1	EA	NO LONGER AVAILABLE

REAR ASSY

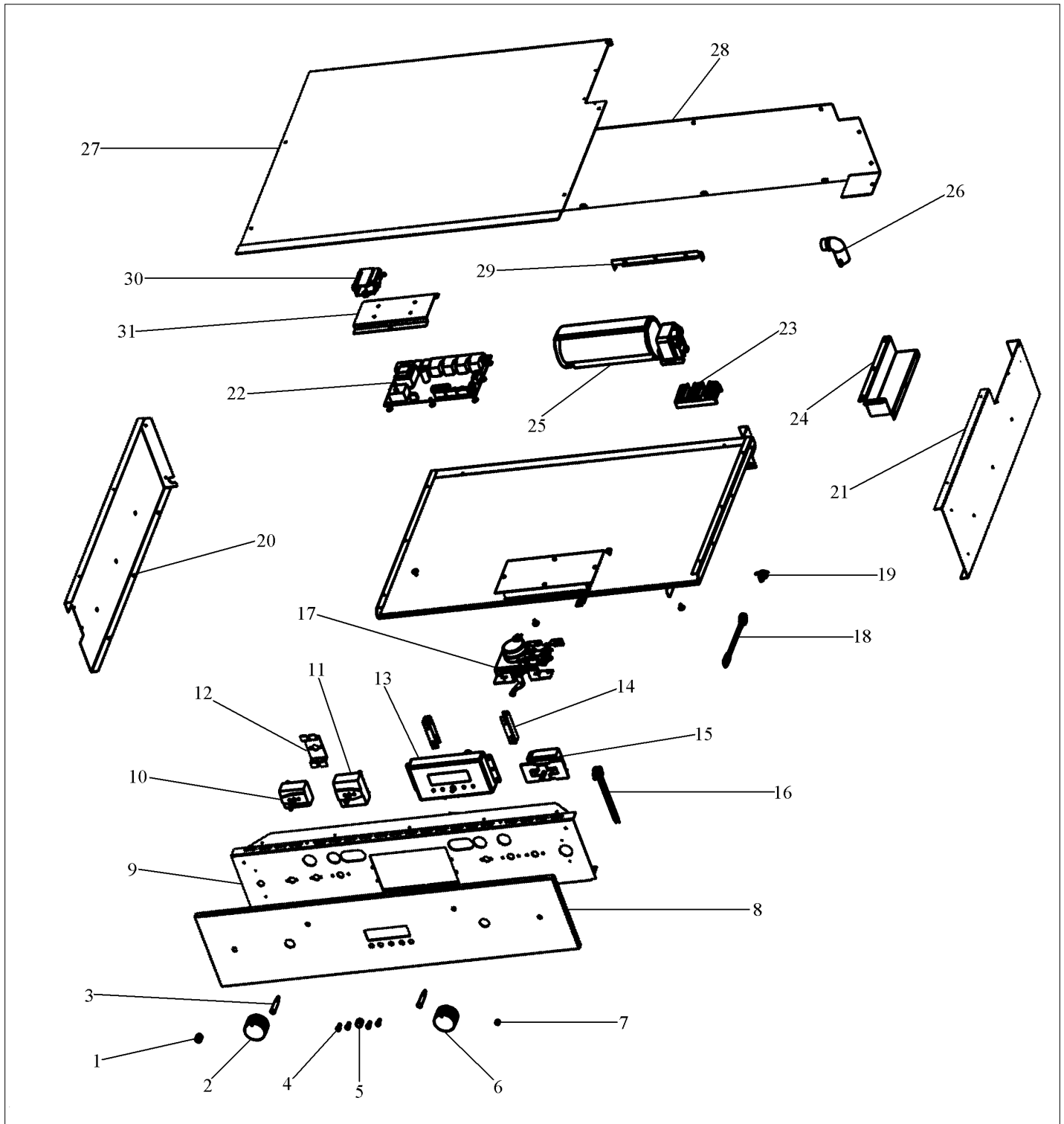




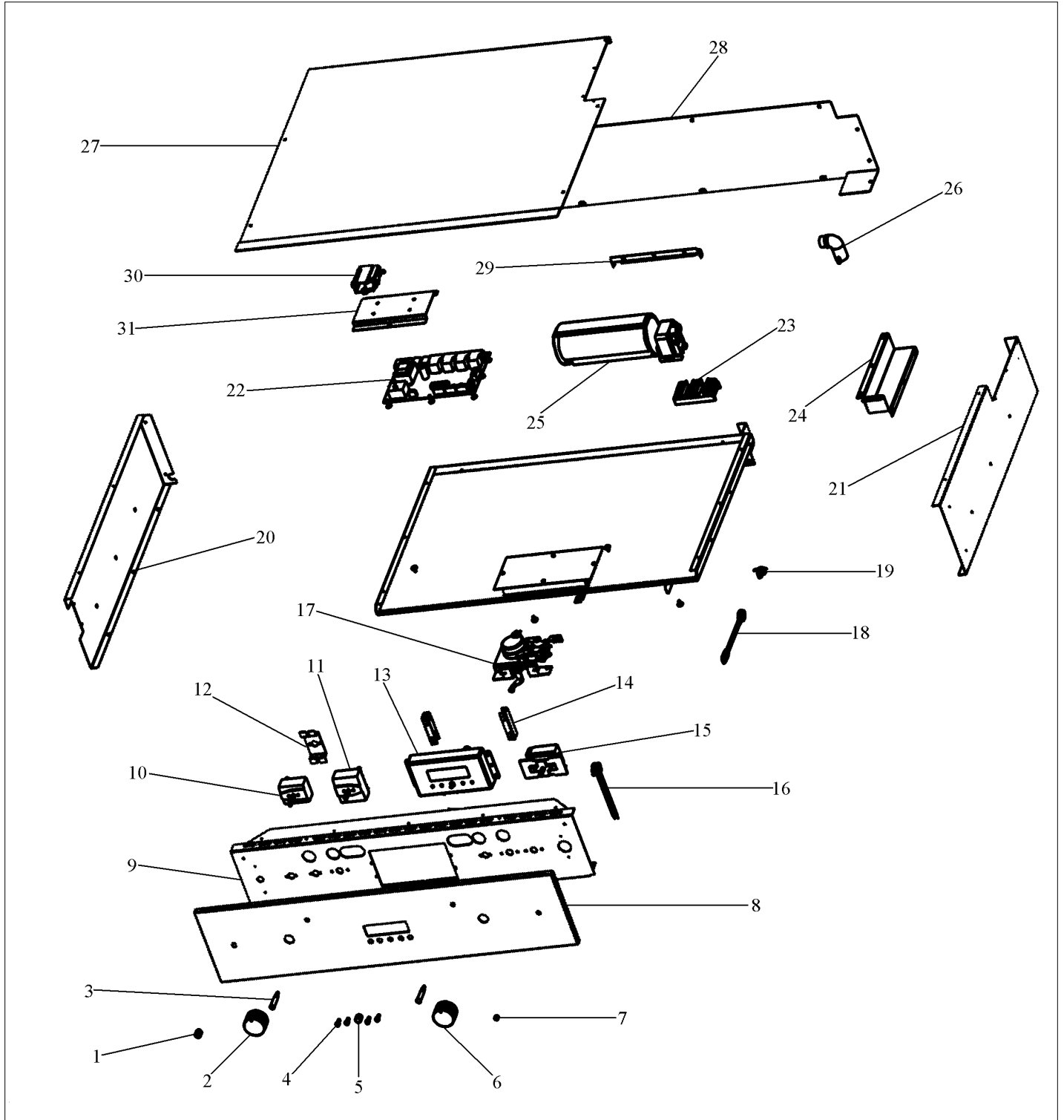
Item	Part No.	Name	Qty	Uom	NOTES
1	A2007905	27"" TOP REAR COVER	1	EA	NO LONGER AVAILABLE, Not available online / Call for pricing and availability
2	PB020071	CONDUIT - FLEXIBLE (48")	1	EA	
3	A2007877	27" UPPER OUTER BACK	1	EA	NO LONGER AVAILABLE, Not available online / Call for pricing and availability
4	A1004305	BACK INSULATION RETAINER(27"OVEN)	1	EA	NO LONGER AVAILABLE, Not available online / Call for pricing and availability
5	A2006189	SINGLE OVEN FLUE COVER	1	EA	NO LONGER AVAILABLE, Not available online / Call for pricing and availability
6	A1006190	SINGLE OVEN COVER PLATE	1	EA	NO LONGER AVAILABLE, Not available online / Call for pricing and availability
7	A2006188	SINGLE OVEN FLUE	1	EA	NO LONGER AVAILABLE, Not available online / Call for pricing and availability
8	A2006182	AIR SCOOP	1	EA	NO LONGER AVAILABLE
9	A2006324	VENT SIDE LH	1	EA	NO LONGER AVAILABLE, Not available online / Call for pricing and availability
10	A2006323	VENT SIDE RH	1	EA	NO LONGER AVAILABLE, Not available online / Call for pricing and availability
11	PB020117	DESIGNER OVEN VENT	1	EA	NO LONGER AVAILABLE
12	A2006326	LOWER AIR VENT SINGLE	1	EA	NO LONGER AVAILABLE, Not available online / Call for pricing and availability



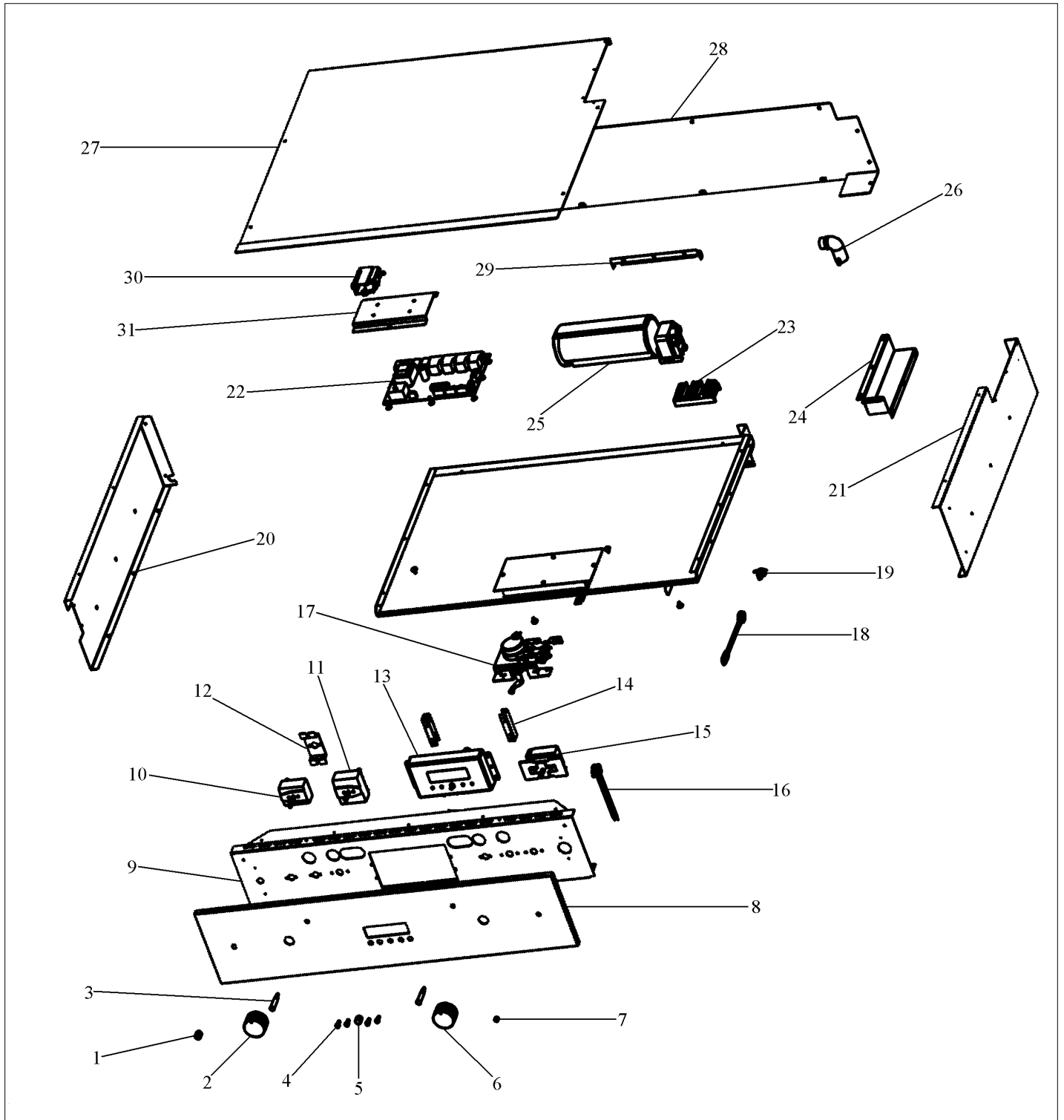
UPPER UNIT ASSY



Item	Part No.	Name	Qty	Uom	NOTES
1	PA010110	DESIGNER OVEN SELECTOR KNOB REPL PA010092	1	EA	
Not Shown	PA010110PVD	DESIGNER OVEN SELECTOR KNOB-BRASS	1	EA	NO LONGER AVAILABLE
2	PA010194	DES. SELECTOR/THERMOSTAT KNOB	1	EA	
Not Shown	PA010095	DESIGNER SELECTOR KNOB - GRAY	1	EA	
Not Shown	PA010091PVD	DESIGNER SELECTOR KNOB - BR	1	EA	
Not Shown	PA010095PVD	DESIGNER SELECTOR KNOB- BR/GRAY	1	EA	
3	PE050073	DESIGNER INDICATOR LT	1	EA	
4	PB010269	CLOCK BUTTON	1	EA	NO LONGER AVAILABLE
5	PB010222	DESIGNER BIT GENERATOR KNOB	1	EA	
Not Shown	PB010222PVD	DESIGNER BIT GENERATOR KNOB-BRASS	1	EA	NO LONGER AVAILABLE
6	PB010196	DESIGNER THERMOSTAT KNOB	1	EA	
Not Shown	PB010204	DESIGNER THERMOSTAT KNOB - GRAY	1	EA	
Not Shown	PB010196PVD	DESIGNER THERMOSTAT KNOB W/BRASS	1	EA	
Not Shown	PB010204PVD	DESIGNER THERMOSTAT KNOB -BR/GRAY	1	EA	
7	PA010093	DESIGNER OVEN LT SWITCH KNOB	1	EA	
Not Shown	PA010093PVD	DESIGNER OVEN LT SWITCH KNOB-BRASS	1	EA	
8	B92010127	CONTROL PANEL 27 SGL	1	EA	
Not Shown	C92010127BK	CTRL PANEL 27 SGL *BK* SLK. SC.	1	EA	NO LONGER AVAILABLE, Not available online / Call for pricing and availability
Not Shown	C92010127WH	CTRL PANEL 27 SGL *WH* SLK. SC.	1	EA	NO LONGER AVAILABLE, Not available online / Call for pricing and availability
9	H91010133	CONTROL MOUNTING PANEL ASSY 27"	1	EA	NO LONGER AVAILABLE



Item	Part No.	Name	Qty	Uom	NOTES
10	PJ030011	SWITCH (2-POSITION) VESO105	1	EA	
11	PJ030001	SELECTOR SWITCH (8- POSITION) VDSC	1	EA	
12	A2006100	THREE POSITION SELECTOR BRKT	1	EA	
13	PE050213	PRO 120V DIGITAL CLOCK	1	EA	
14	A20010135	CLOCK MOUNTING BRACKET	1	EA	NO LONGER AVAILABLE
15	PS500033	SUB TO PS500033 - SELF CLEAN THERMOSTAT	1	EA	
16	G40015469	LIGHT SWITCH ASSEMBLY	1	EA	
17	PE050112	DOOR LATCH	1	EA	
18	PE050059	HI-LIMIT SWITCH	1	EA	
19	PJ030006	SWITCH (COOLING FAN)	1	EA	
20	A2007699	CABINET SIDE LH	1	EA	NO LONGER AVAILABLE, Not available online / Call for pricing and availability
21	A2007698	CABINET SIDE RH	1	EA	NO LONGER AVAILABLE, Not available online / Call for pricing and availability
22	PE070786	ELECTRONIC CONTROL BOARD	1	EA	
23	PE070147	TERMINAL BLOCK (VDSC)	1	EA	
24	A2002966	TOP CHANNEL (VESO105)	1	EA	NO LONGER AVAILABLE, Not available online / Call for pricing and availability
25	PE050087	BLOWER ASSEMBLY - DESIGNER SERIES	1	EA	
26	PB040070	CONDUIT FITTING (90 DEG)	1	EA	
27	A2007957	27" CABINET TOP	1	EA	NO LONGER AVAILABLE, Not available online / Call for pricing and availability
28	A2007907	30" SGL. REAR TOP COVER	1	EA	NO LONGER AVAILABLE, Not available online / Call for pricing and availability





Item	Part No.	Name	Qty	Uom	NOTES
29	A2006048	FAN MOUNTING BRACKET	1	EA	NO LONGER AVAILABLE, Not available online / Call for pricing and availability
30	PJ030002	AUTO RESET (SELF-CLEAN) VDSC	1	EA	
31	A2009884	AUTO RESET BRACKET	1	EA	NO LONGER AVAILABLE, Not available online / Call for pricing and availability



Appendix A:Pages Index

DOOR ASSY ..... 1  
FLOW CHART NEW BOARD BAKE ..... 2  
FLOW CHART NEW BOARD DOOR LOCK ..... 3  
FLOW CHART SELF CLEAN ..... 4  
OVEN CAVITY ASSY ..... 5  
REAR ASSY ..... 6  
UPPER UNIT ASSY ..... 7



Appendix B:Parts Index

000623-000	1	G3207968SS	1
006072-000	1, 5	G3207968SSBR	1
031449-000	5	G3207968WH	1
A1004305	6	G3207968WHBR	1
A1006190	6	G40015469	7
A1006197	1	G50010119	1, 1
A1006198	1	G5008295BK	1
A20010135	7	G5008295BT	1
A2002966	7	G5008295GG	1
A2006007	1	G5008295SG	1
A2006048	7	G5008295SS	1
A2006100	7	G5008295WH	1
A2006182	6	G90012653BK	5
A2006188	6	G90012653BT	5
A2006189	6	G90012653GG	5
A2006323	6	G90012653SG	5
A2006324	6	G90012653WH	5
A2006326	6	H3006155	1
A2007698	7	H91010133	7
A2007699	7	H9106146	5
A2007877	6	PA010091PVD	7
A2007905	6	PA010093	7
A2007907	7	PA010093PVD	7
A2007957	7	PA010095	7
A2009884	7	PA010095PVD	7
B1007913	1, 5	PA010110	7
B2004311	5	PA010110PVD	7
B92010127	7	PA010194	7
C92010127BK	7	PB010196	7
C92010127WH	7	PB010196PVD	7
E9104309	5	PB010204	7
G30010585	5	PB010204PVD	7
G3207968BK	1	PB010222	7
G3207968BKBR	1	PB010222PVD	7
G3207968BT	1	PB010269	7
G3207968BTBR	1	PB020071	6
G3207968GG	1	PB020117	6
G3207968GGBR	1	PB040070	7
G3207968SG	1	PB060030	5
G3207968SGBR	1	PB060048	5
		PB070092	1





PD020032	1
PE030165	1
PE030165PVD	1
PE050005	5
PE050059	7
PE050073	7
PE050087	7
PE050112	7
PE050213	7
PE060056	1
PE070147	7
PE070786	7
PJ010001	5
PJ010003	5
PJ010011	5
PJ010012	5
PJ030001	7
PJ030002	7
PJ030006	7
PJ030011	7
PM010014	5
PS500033	7