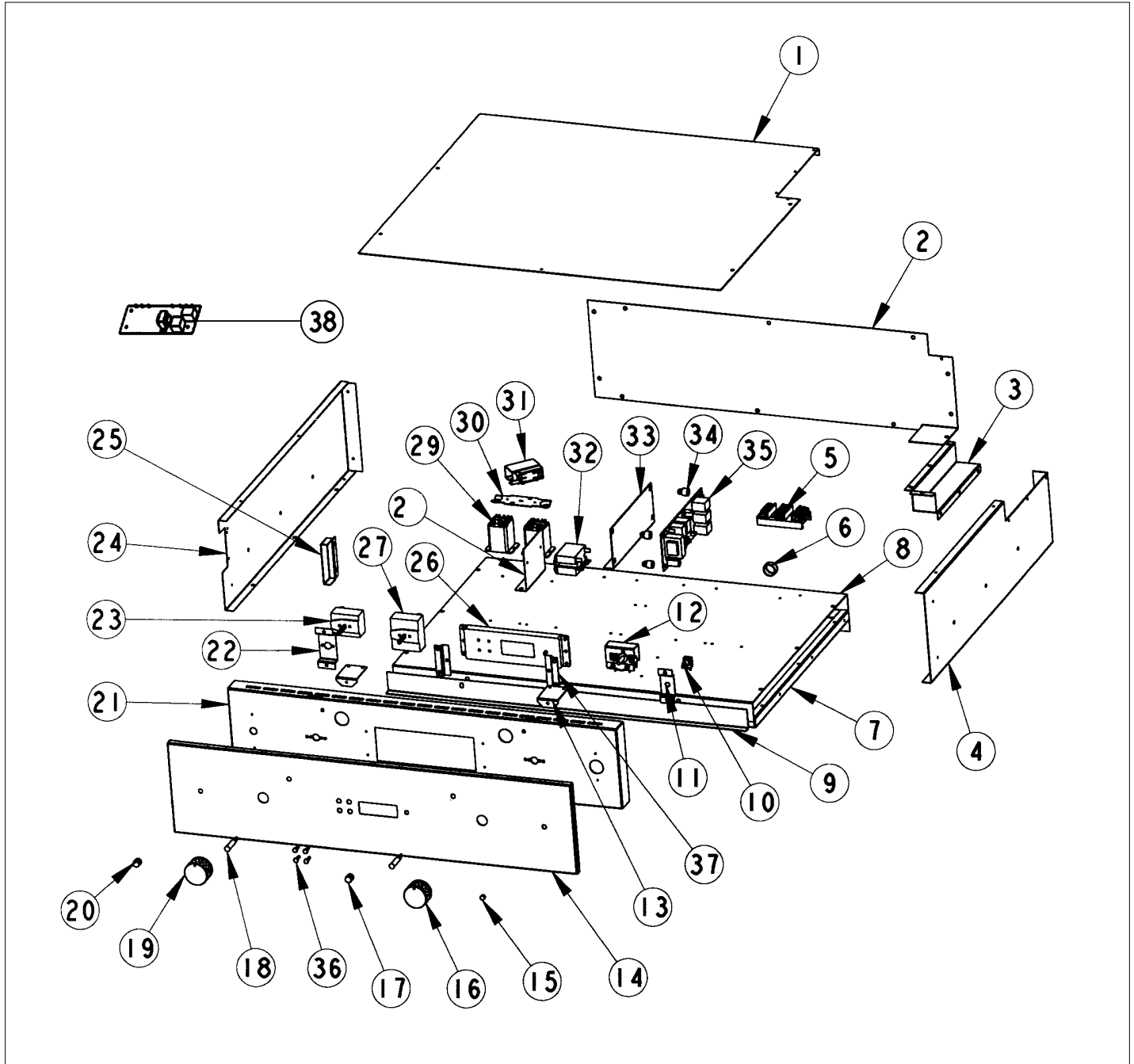


DESO170

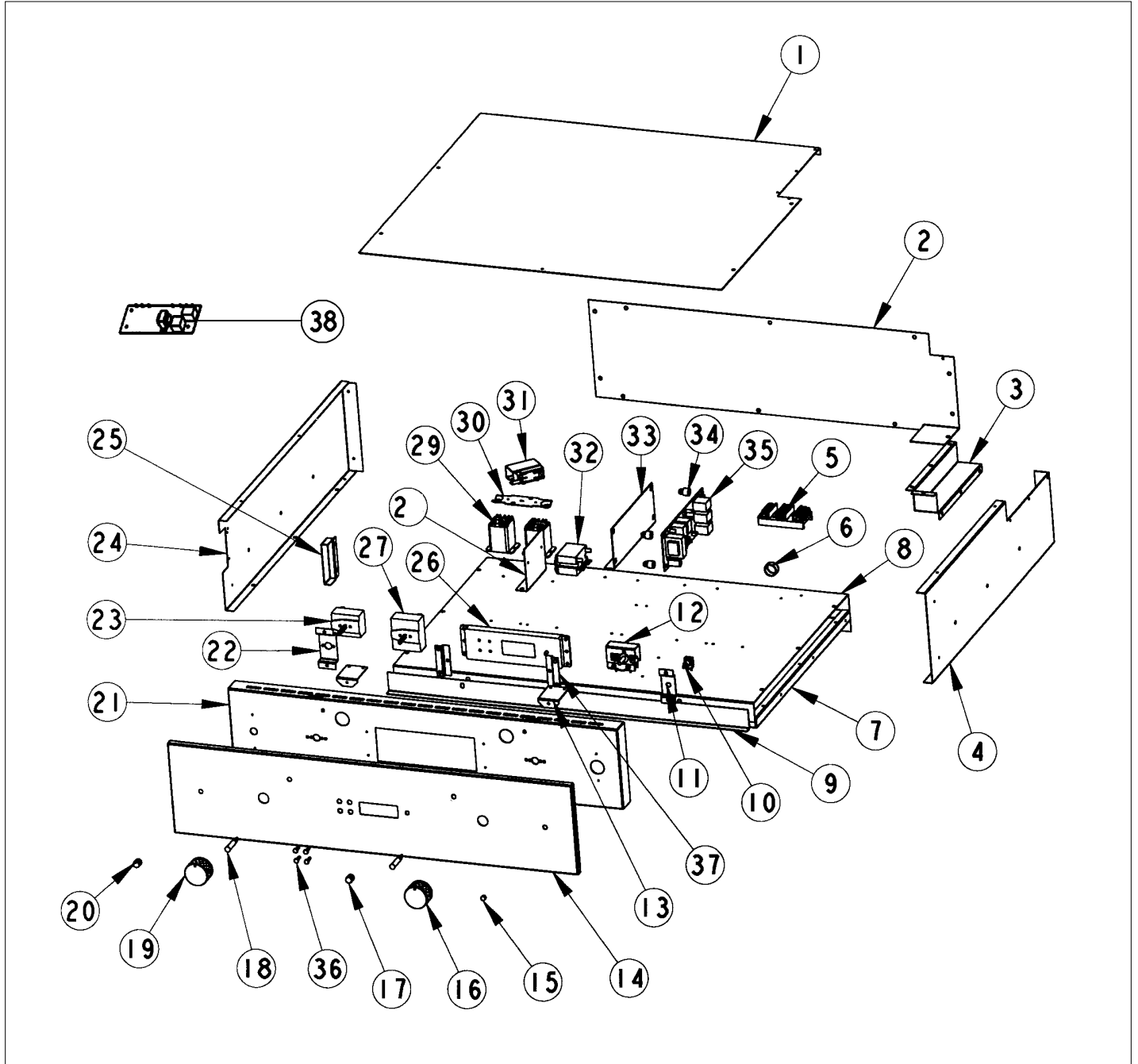
CABINET ASSEMBLY	1
CONVECTION FAN ASSY	2
DOOR ASSEMBLY	3
OVEN ASSEMBLY	4
REAR PANEL ASSY	5
Appendix A:Pages Index	A
Appendix B:Parts Index	B

CABINET ASSEMBLY

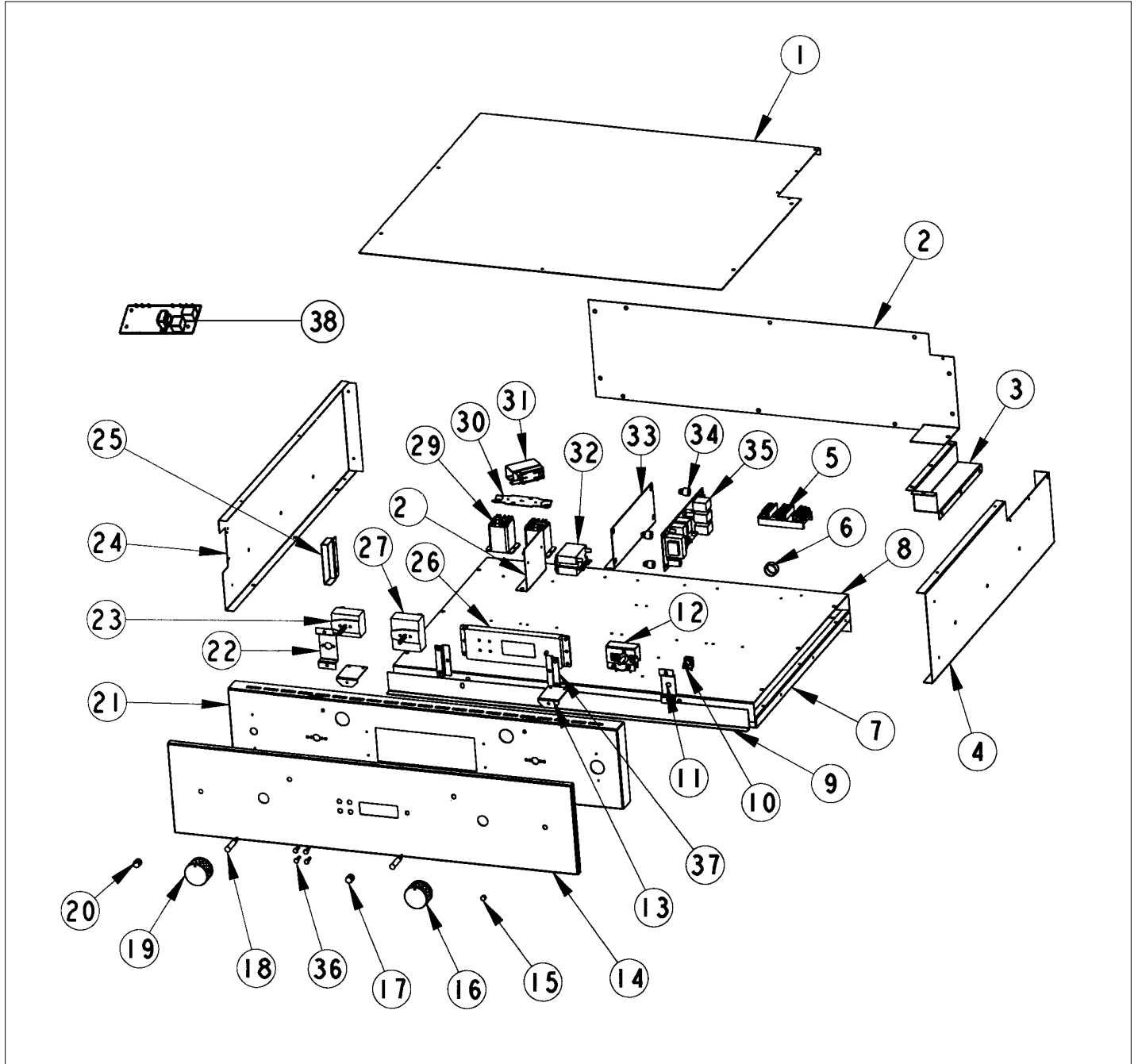




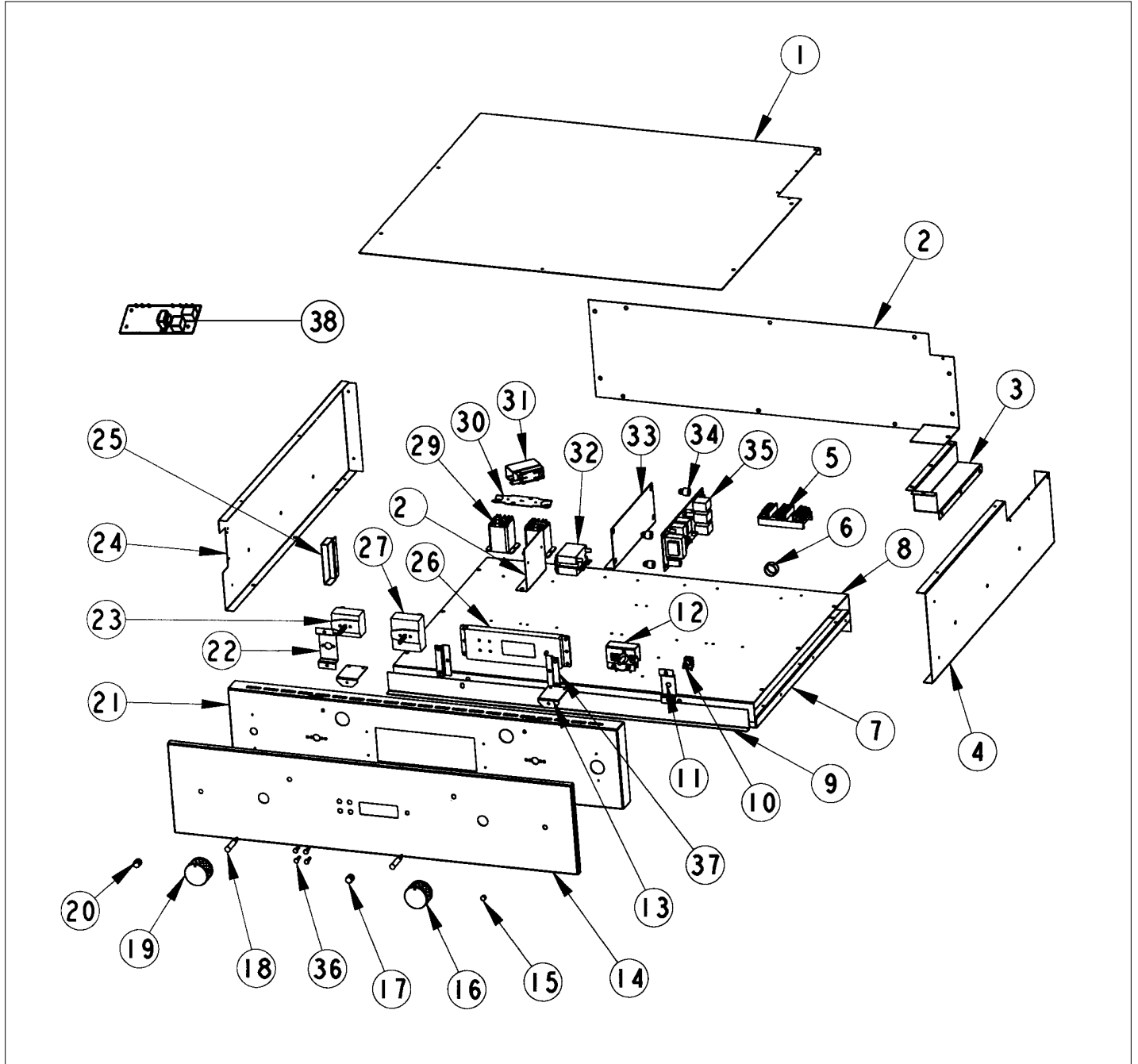
Item	Part No.	Name	Qty	Uom	NOTES
1	A2006143	DESIGNER OVEN CABINET TOP 27	1	EA	NO LONGER AVAILABLE, Not available online / Call for pricing and availability
2	A2006191	TOP REAR COVER DESO170	1	EA	NO LONGER AVAILABLE, Not available online / Call for pricing and availability
3	A2002966	TOP CHANNEL (VESO105)	1	EA	NO LONGER AVAILABLE, Not available online / Call for pricing and availability
4	A2006171	CABINET SIDE RH	1	EA	NO LONGER AVAILABLE, Not available online / Call for pricing and availability
5	PE070147	TERMINAL BLOCK (VDSC)	1	EA	
6	PD040005	SNAP BUSHING - 7/8"	1	EA	
7	A2006095	SANDWICH PANEL BOTTOM 27	1	EA	NO LONGER AVAILABLE, Not available online / Call for pricing and availability
8	A2006097	SANDWICH PANEL TOP 27	1	EA	NO LONGER AVAILABLE, Not available online / Call for pricing and availability
9	A2006185	FRONT SANDWICH PANEL ANGLE 27	1	EA	NO LONGER AVAILABLE, Not available online / Call for pricing and availability
10	G4008423	DESIGNER OVEN LIGHT SWITCH ASSY	1	EA	
11	A2006101	OVEN LIGHT SWITCH BRACKET	1	EA	
12	PS500033	SUB TO PS500033 - SELF CLEAN THERMOSTAT	1	EA	
13	A2006144	CONTROL MOUNT BRACKET	1	EA	
14	B9206141	CONTROL PANEL - DESO 170 (SS)	1	EA	
Not Shown	NOTE	(Before 3/01/02)		EA	



Item	Part No.	Name	Qty	Uom	NOTES
Not Shown	C9206141BK	CTRL PAN DESO170 *BK* SLK. SC.	1	EA	NO LONGER AVAILABLE, Not available online / Call for pricing and availability
Not Shown	NOTE	(Before 3/01/02)		EA	
Not Shown	C9206141BT	CTRL PAN DESO170 *BT* SLK. SC.	1	EA	
Not Shown	NOTE	(Before 3/01/02)		EA	
Not Shown	C9206141GG	CTRL PAN DESO170 *GG* SLK. SC.	1	EA	NO LONGER AVAILABLE, Not available online / Call for pricing and availability
Not Shown	NOTE	(Before 3/01/02)		EA	
Not Shown	C9206141SG	CTRL PAN DESO170 *SG* SLK. SC.	1	EA	NO LONGER AVAILABLE, Not available online / Call for pricing and availability
Not Shown	NOTE	(Before 3/01/02)		EA	
Not Shown	C9206141WH	CTRL PAN DESO170 *WH* SLK. SC.	1	EA	NO LONGER AVAILABLE, Not available online / Call for pricing and availability
Not Shown	NOTE	(Before 3/01/02)		EA	
Not Shown	B9207961	CONTROL PANEL 27 SGL	1	EA	
Not Shown	NOTE	(After 3/01/02)		EA	
Not Shown	C9207961BK	CTRL PANEL 27 SGL *BK* SLK. SC.	1	EA	NO LONGER AVAILABLE, Not available online / Call for pricing and availability
Not Shown	NOTE	(After 3/01/02)		EA	
Not Shown	C9207961BT	CTRL PANEL 27 SGL *BT* SLK. SC.	1	EA	NO LONGER AVAILABLE, Not available online / Call for pricing and availability
Not Shown	NOTE	(After 3/01/02)		EA	

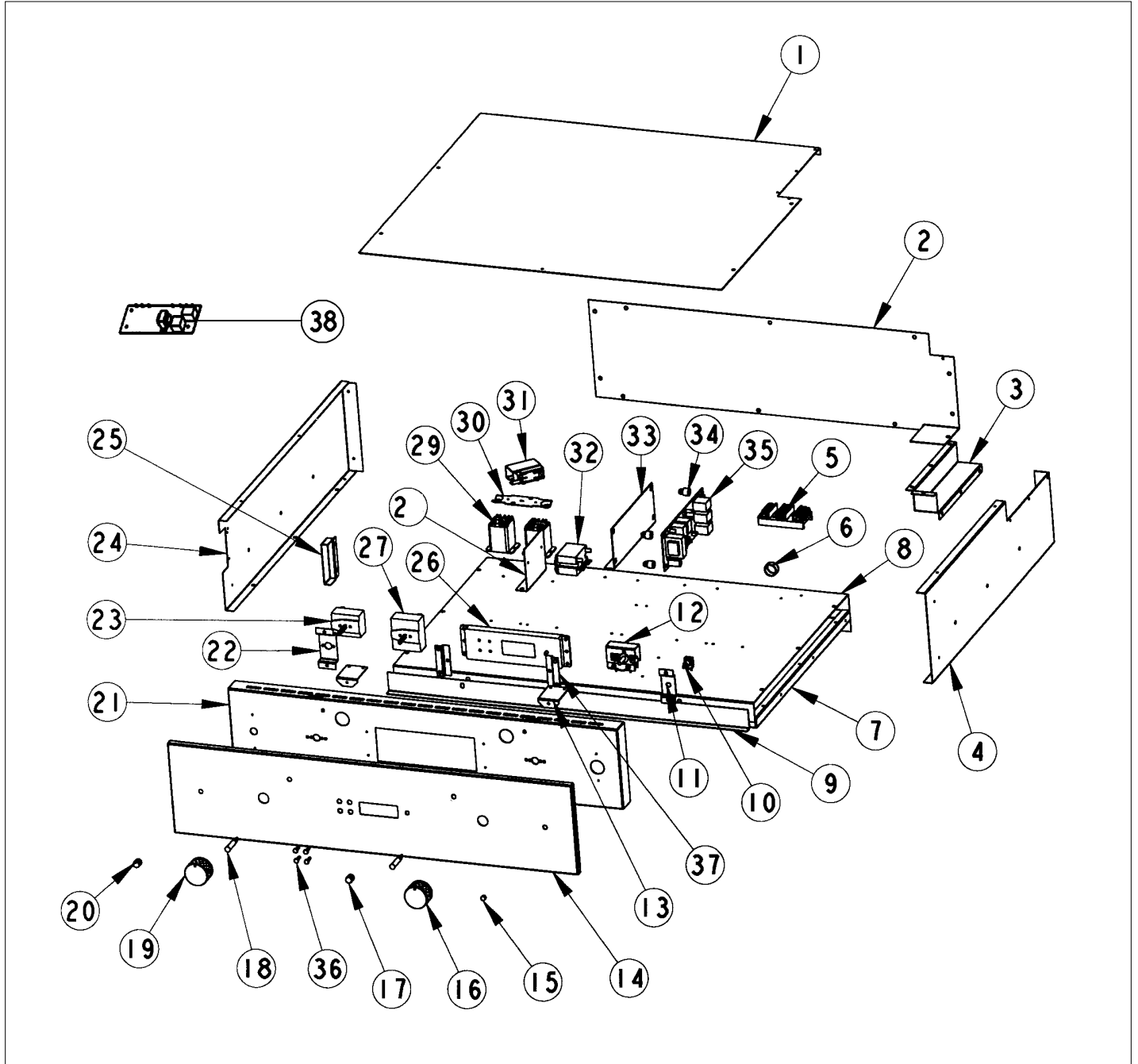


Item	Part No.	Name	Qty	Uom	NOTES
Not Shown	C9207961GG	CTRL PANEL 27 SGL *GG* SLK. SC.	1	EA	NO LONGER AVAILABLE
Not Shown	NOTE	(After 3/01/02)		EA	
Not Shown	C9207961SG	CTRL PANEL 27 SGL *SG* SLK. SC.	1	EA	Not available online / Call for pricing and availability
Not Shown	NOTE	(After 3/01/02)		EA	
Not Shown	C9207961WH	CTRL PANEL 27 SGL *WH* SLK. SC.	1	EA	NO LONGER AVAILABLE, Not available online / Call for pricing and availability
Not Shown	NOTE	(After 3/01/02)		EA	
15	PA010093	DESIGNER OVEN LT SWITCH KNOB	1	EA	
Not Shown	PA010093PVD	DESIGNER OVEN LT SWITCH KNOB-BRASS	1	EA	
16	PB010196	DESIGNER THERMOSTAT KNOB	1	EA	
Not Shown	PB010196PVD	DESIGNER THERMOSTAT KNOB W/BRASS	1	EA	
Not Shown	PB010204	DESIGNER THERMOSTAT KNOB - GRAY	1	EA	
Not Shown	PB010204PVD	DESIGNER THERMOSTAT KNOB -BR/GRAY	1	EA	
17	PB010222	DESIGNER BIT GENERATOR KNOB	1	EA	
Not Shown	PB010222PVD	DESIGNER BIT GENERATOR KNOB-BRASS	1	EA	NO LONGER AVAILABLE
18	PE050073	DESIGNER INDICATOR LT	1	EA	
19	PA010194	DES. SELECTOR/THERMOSTAT KNOB	1	EA	
Not Shown	PA010091PVD	DESIGNER SELECTOR KNOB - BR	1	EA	
Not Shown	PA010095	DESIGNER SELECTOR KNOB - GRAY	1	EA	
Not Shown	PA010095PVD	DESIGNER SELECTOR KNOB-BR/GRAY	1	EA	
20	PA010110	DESIGNER OVEN SELECTOR KNOB REPL PA010092	1	EA	





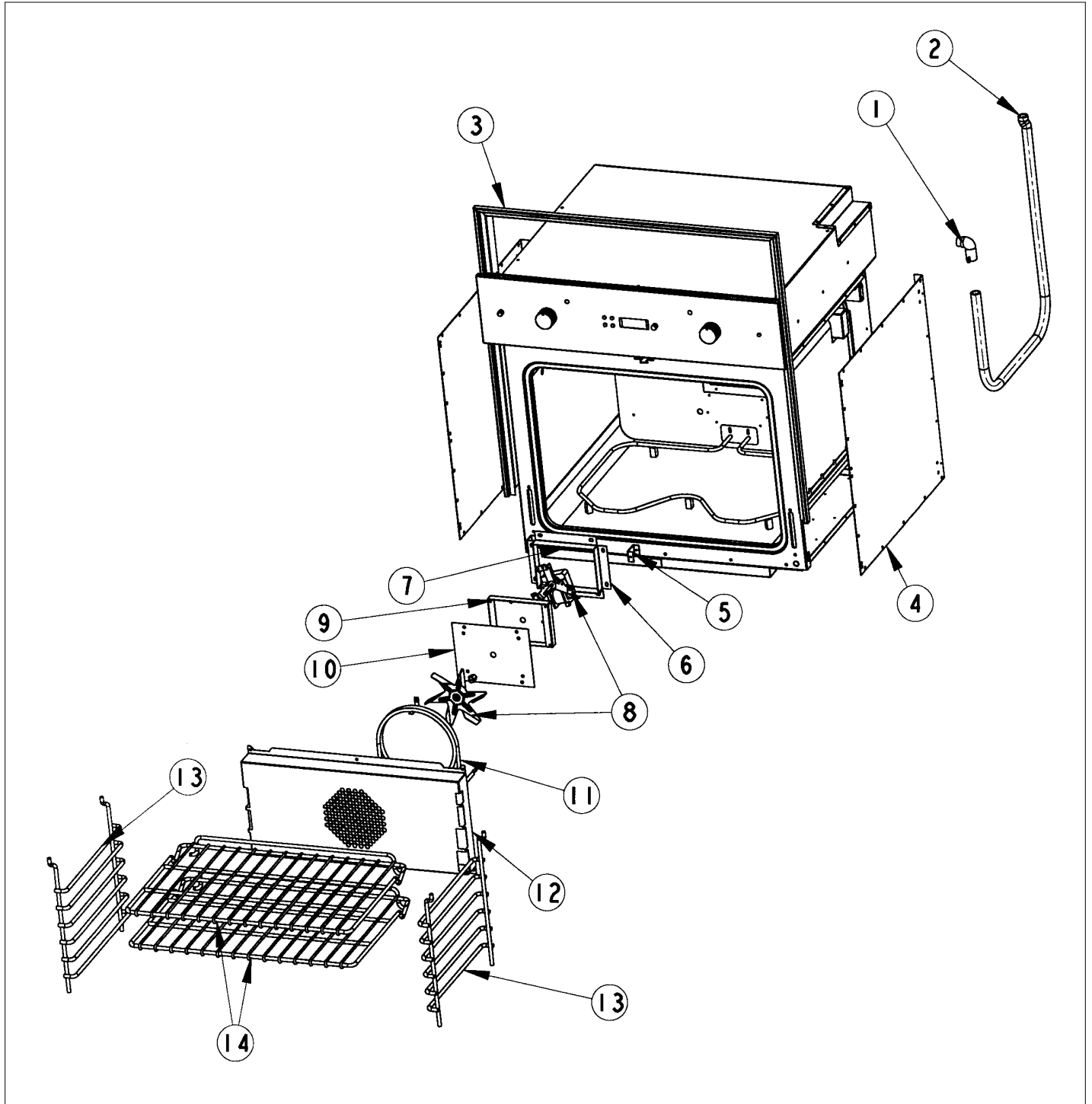
Item	Part No.	Name	Qty	Uom	NOTES
Not Shown	PA010092PVD	DESIGNER OVEN SELECTOR KNOB - BRASS	1	EA	NO LONGER AVAILABLE
21	E9106137	CONTROL MOUNTING PANEL 27	1	EA	NO LONGER AVAILABLE, Not available online / Call for pricing and availability
22	A2006100	THREE POSITION SELECTOR BRKT	1	EA	
23	PJ030011	SWITCH (2-POSITION) VESO105	1	EA	
24	A2006123	CABINET SIDE LH	1	EA	
25	A2006109	SELECTOR SWITCH COVER	1	EA	NO LONGER AVAILABLE, Not available online / Call for pricing and availability
26	PE050049	CLOCK/TIMER(ROBERTSHAW# 100-00550-01	1	EA	NO LONGER AVAILABLE
27	PJ030001	SELECTOR SWITCH (8-POSITION) VDSC	1	EA	
28	A2006186	POWER RELAY BRACKET	1	EA	NO LONGER AVAILABLE, Not available online / Call for pricing and availability
29	PM010029	RELAY (DOUBLE POLE-DOUBLE THROW)TEM	1	EA	
30	A1002456	THERMO-DISC BRKT (VDSC)	1	EA	
31	PJ030002	AUTO RESET (SELF-CLEAN) VDSC	1	EA	
32	PM010129	RELAY	1	EA	
33	A2006099	TIMER BOARD BRACKET	1	EA	NO LONGER AVAILABLE, Not available online / Call for pricing and availability
34	PD030033	GROMMET NUT-ROUND HD. #8 X .500DIA.	1	EA	
35	PE070148	SELF-CLEAN BOARD/TIMER (VDSC)	1	EA	
36	PB010217	DESIGNER CLOCK BUTTON	1	EA	
Not Shown	PB010217PVD	DESIGNER CLOCK BUTTON-BRASS	1	EA	
37	A2006098	CLOCK MOUNTING BRACKET	1	EA	NO LONGER AVAILABLE





Item	Part No.	Name	Qty	Uom	NOTES
38	G5007605	PRE-HEAT BOARD KIT (DESO100/170)	1	EA	
Not Shown	NOTE	(Before 1/16/03)		EA	
Not Shown	PE070308	PRE-HEAT BOARD	1	EA	
Not Shown	NOTE	(After 1/16/03)		EA	
Not Shown	PE070319	DESO PREHEAT HARNESS	1	EA	
Not Shown	NOTE	(After 1/16/03)		EA	

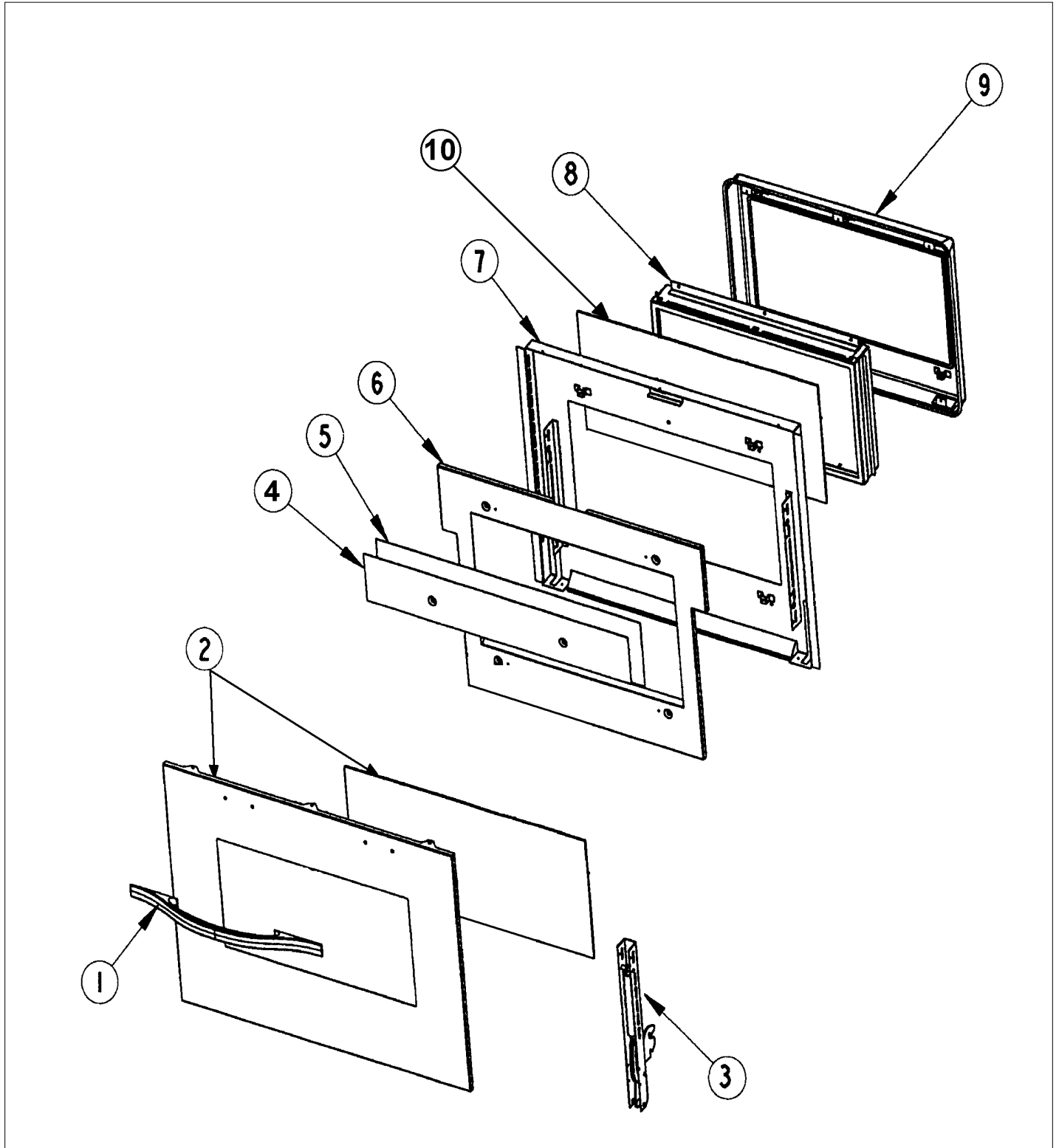
CONVECTION FAN ASSY





Item	Part No.	Name	Qty	Uom	NOTES
1	PB040070	CONDUIT FITTING (90 DEG)	1	EA	
2	PB020071	CONDUIT - FLEXIBLE (48")	1	EA	
3	G3006127	FRONT TRIM ASSY 27 SINGLE	1	EA	NO LONGER AVAILABLE
4	A2002904	SIDE INSULATION RETAINER	1	EA	NO LONGER AVAILABLE, Not available online / Call for pricing and availability
5	A2001361	BACK SPACER (VGSC/VGSS)	1	EA	
6	A2008467	INSULATION SHIELD	1	EA	
7	A2001746	SIDE FAN SHIELD	1	EA	Not available online / Call for pricing and availability
8	PE050005	CONVECTION FAN ASSY	1	EA	
9	A2002595	CONVECTION FAN BOX (VDSC)	1	EA	
10	A1002596	CONVECTION FAN COVER (VDSC)	1	EA	
11	PJ010003	CONVECTION ELEMENT (VDSC) 240V	1	EA	
12	G9104316	CONVECTION FAN ASSY (VESO176/DO276)	1	EA	Not available online / Call for pricing and availability
13	PB060030	RACK SUPT REPL PB060010	1	EA	
14	PB060048	OVEN RACK - 27"	1	EA	NO LONGER AVAILABLE

DOOR ASSEMBLY



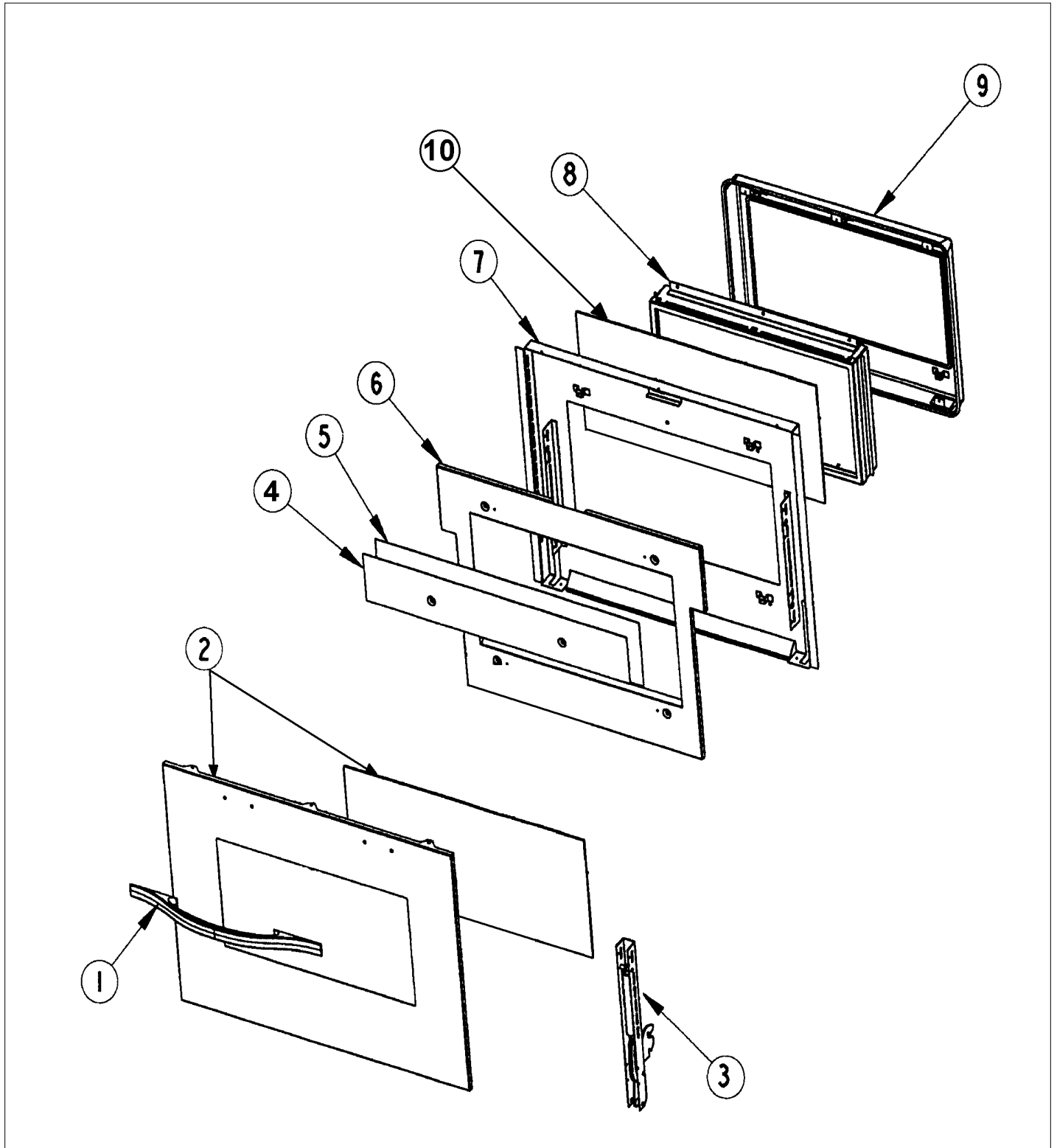


Item	Part No.	Name	Qty	Uom	NOTES
1	PE030165	27" DOOR HANDLE	1	EA	
Not Shown	PE030165PVD	27" DOOR HANDLE PVD	1	EA	NO LONGER AVAILABLE
2	N/A*	O/S PANEL ASSY	1	EA	
Not Shown	NOTE	(BEFORE 2/15/02)		EA	
Not Shown	G5008295BK	O/S DOOR SKIN ASSEMBLY (DESIGN)	1	EA	NO LONGER AVAILABLE
Not Shown	NOTE	(AFTER 2/15/02)		EA	
Not Shown	G5008295BT	O/S DOOR SKIN ASSEMBLY (DESIGN)	1	EA	NO LONGER AVAILABLE
Not Shown	NOTE	(AFTER 2/15/02)		EA	
Not Shown	G5008295GG	O/S DOOR SKIN ASSEMBLY (DESIGN)	1	EA	NO LONGER AVAILABLE
Not Shown	NOTE	(AFTER 2/15/02)		EA	
Not Shown	G5008295SG	O/S DOOR SKIN ASSEMBLY (DESIGN)	1	EA	NO LONGER AVAILABLE, Not available online / Call for pricing and availability
Not Shown	NOTE	(AFTER 2/15/02)		EA	
Not Shown	G5008295SS	O/S DOOR SKIN ASSEMBLY (DESIGN)	1	EA	
Not Shown	NOTE	(AFTER 2/15/02)		EA	
Not Shown	G5008295WH	O/S DOOR SKIN ASSEMBLY (DESIGN)	1	EA	NO LONGER AVAILABLE
Not Shown	NOTE	(AFTER 2/15/02)		EA	
3	N/A*	HINGE	1	EA	
Not Shown	NOTE	(BEFORE 2/15/02)		EA	
PC02013 9	006072-000	HINGE, DOOR, ASM, MANSFIELD, DES, GREEN SPRING	1	EA	

Comments for Part Num. 006072-000

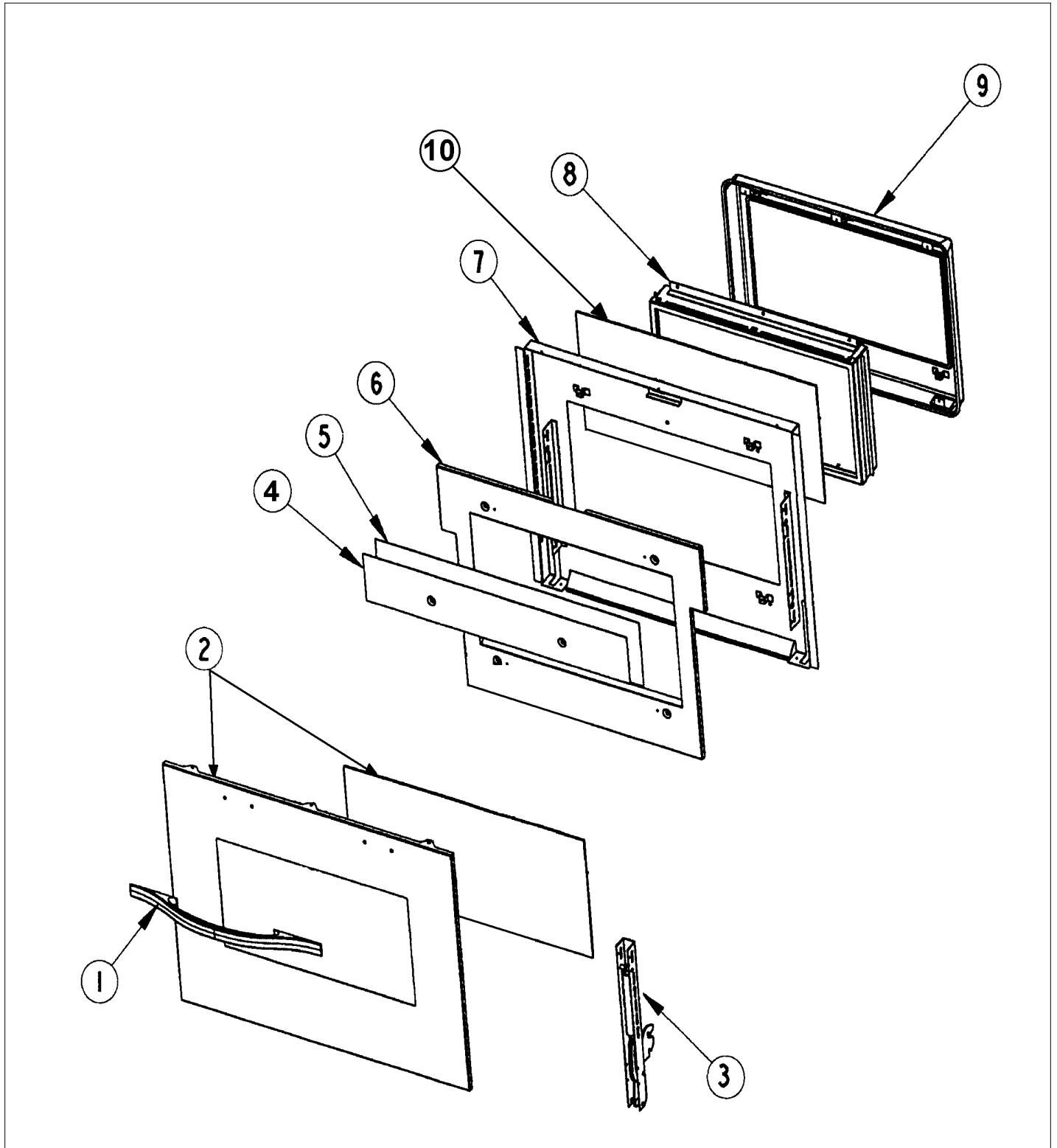
bradleysapplianceservice@shaw.ca on Sep 13, 2017

SUBS TO: 006072-000 OVEN DOOR HINGE - GREEN SPRING

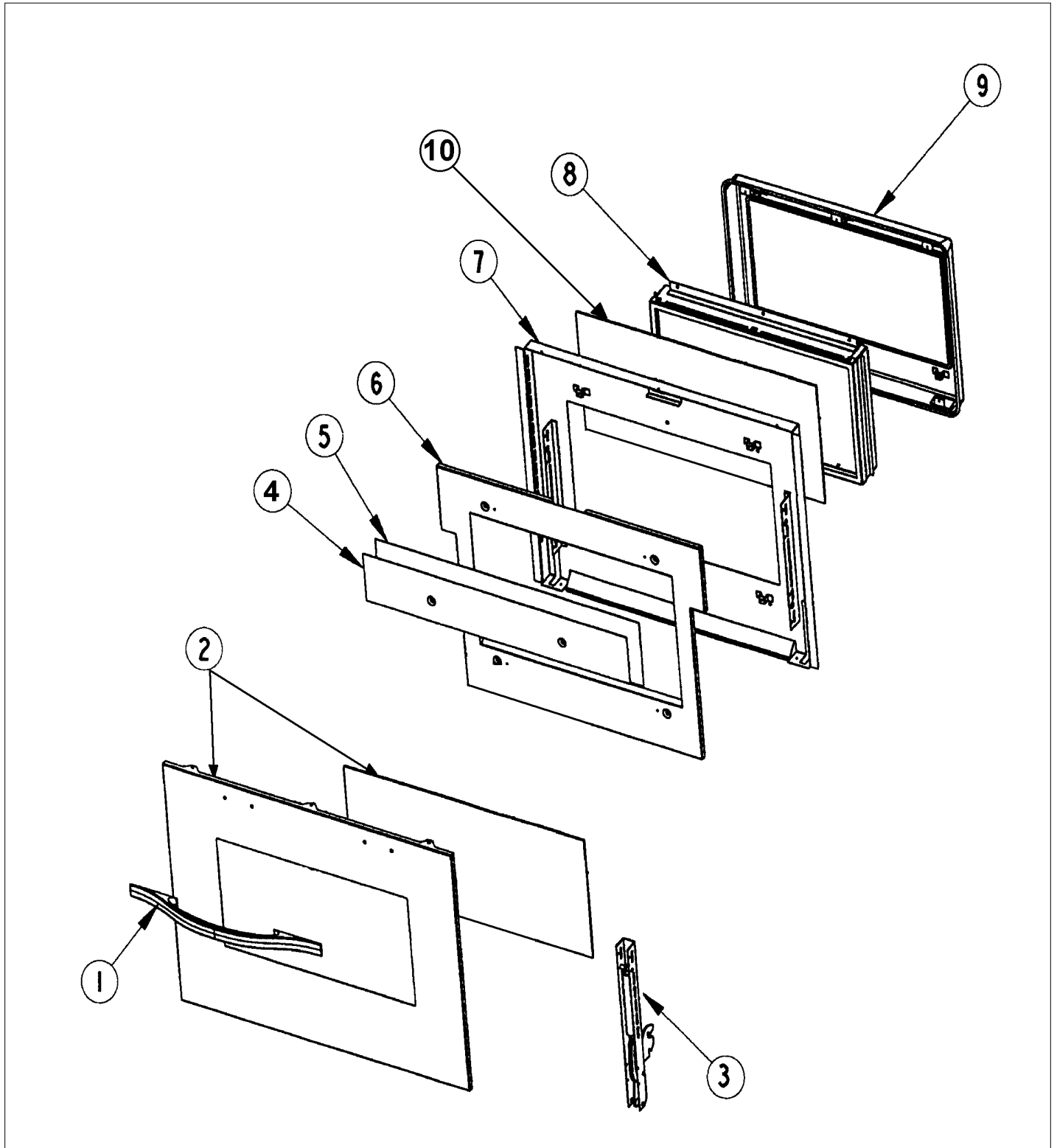




Item	Part No.	Name	Qty	Uom	NOTES
Not Shown	NOTE	(AFTER 2/15/02)		EA	
4	A1006198	OUTER DOOR HEAT SHEILD 27	1	EA	
5	A1006197	INNER DOOR HEAT SHEILD 27	1	EA	
6	A2006007	27" DOOR INSULATION RETAINER	1	EA	
NI	000623-000	DOOR GASKET(3/8"DIA.) (VDSC)	1	EA	
7	H9106002	SUB COMPLETE DOOR ASSY	1	EA	NO LONGER AVAILABLE, Not available online / Call for pricing and availability
Not Shown	NOTE	(BEFORE 2/15/02)		EA	
Not Shown	G50010119	DESO170/175/DEDO270/275 DR LINER SVC-KIT	1	EA	
Not Shown	NOTE	(AFTER 2/15/02)		EA	
8	N/A*	INNER GLASS FRAME ASSY	1	EA	
Not Shown	NOTE	(BEFORE 7/20/01)		EA	
Not Shown	H3006155	27 INNER GLASS PK FRAME ASSY	1	EA	
Not Shown	NOTE	(AFTER 7/20/01)		EA	
9	G50010119	DESO170/175/DEDO270/275 DR LINER SVC-KIT	1	EA	
10	PE060056	27" GLASS PACK GLASS H.T.	1	EA	
NI	PB070092	BOARD INSULATION 27"	1	EA	
NI	N/A*	DOOR ASSY.	1	EA	
Not Shown	NOTE	(BEFORE 2/15/02)		EA	
Not Shown	G3207968BK	DOOR ASSY *BK* (DEDO270/DESO170)	1	EA	NO LONGER AVAILABLE
Not Shown	NOTE	(AFTER 2/15/02)		EA	
Not Shown	G3207968BKBR	DOOR ASSY. - BKBR	1	EA	Not available online / Call for pricing and availability
Not Shown	NOTE	(AFTER 2/15/02)		EA	



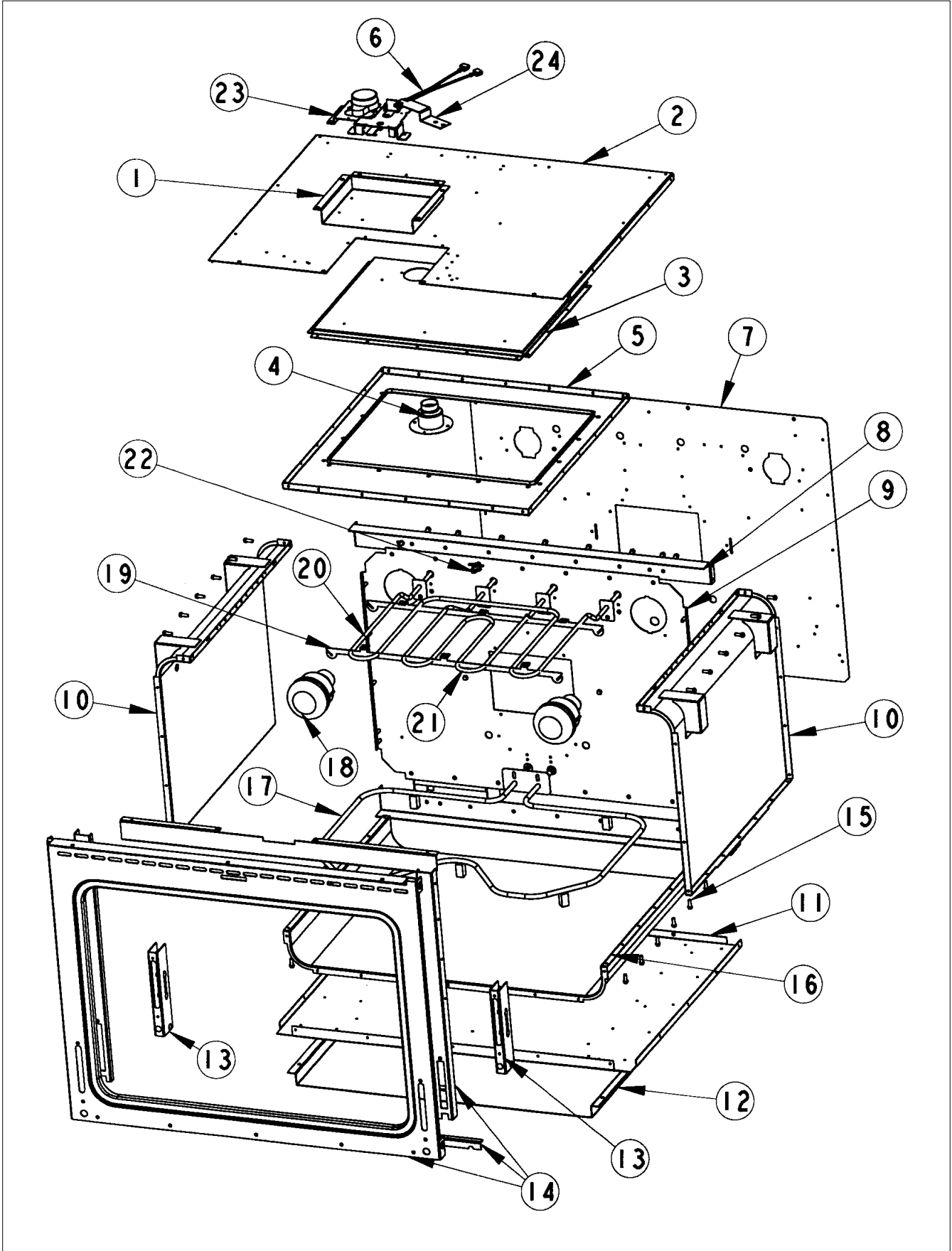
Item	Part No.	Name	Qty	Uom	NOTES
Not Shown	G3207968BT	DOOR ASSY *BT* (DEDO270/DESO170)	1	EA	NO LONGER AVAILABLE
Not Shown	NOTE	(AFTER 2/15/02)		EA	
Not Shown	G3207968BTBR	DOOR ASSY. - BTBR	1	EA	Not available online / Call for pricing and availability
Not Shown	NOTE	(AFTER 2/15/02)		EA	
Not Shown	G3207968GG	DOOR ASSY *GG* (DEDO270/DESO170)	1	EA	NO LONGER AVAILABLE, Not available online / Call for pricing and availability
Not Shown	NOTE	(AFTER 2/15/02)		EA	
Not Shown	G3207968GGBR	DOOR ASSY. - GGBR	1	EA	Not available online / Call for pricing and availability
Not Shown	NOTE	(AFTER 2/15/02)		EA	
Not Shown	G3207968SG	DOOR ASSY *SG* (DEDO270/DESO170)	1	EA	
Not Shown	NOTE	(AFTER 2/15/02)		EA	
Not Shown	G3207968SGBR	DOOR ASSY *SG*BR* (DEDO270/DESO170)	1	EA	NO LONGER AVAILABLE, Not available online / Call for pricing and availability
Not Shown	NOTE	(AFTER 2/15/02)		EA	
Not Shown	G3207968SS	DOOR ASSY *SS* (DEDO270/DESO170)	1	EA	
Not Shown	NOTE	(AFTER 2/15/02)		EA	
Not Shown	G3207968SSBR	DOOR ASSY. - SSBR	1	EA	Not available online / Call for pricing and availability
Not Shown	NOTE	(AFTER 2/15/02)		EA	
Not Shown	G3207968WH	DOOR ASSY *WH* (DEDO270/DESO170)	1	EA	NO LONGER AVAILABLE
Not Shown	NOTE	(AFTER 2/15/02)		EA	



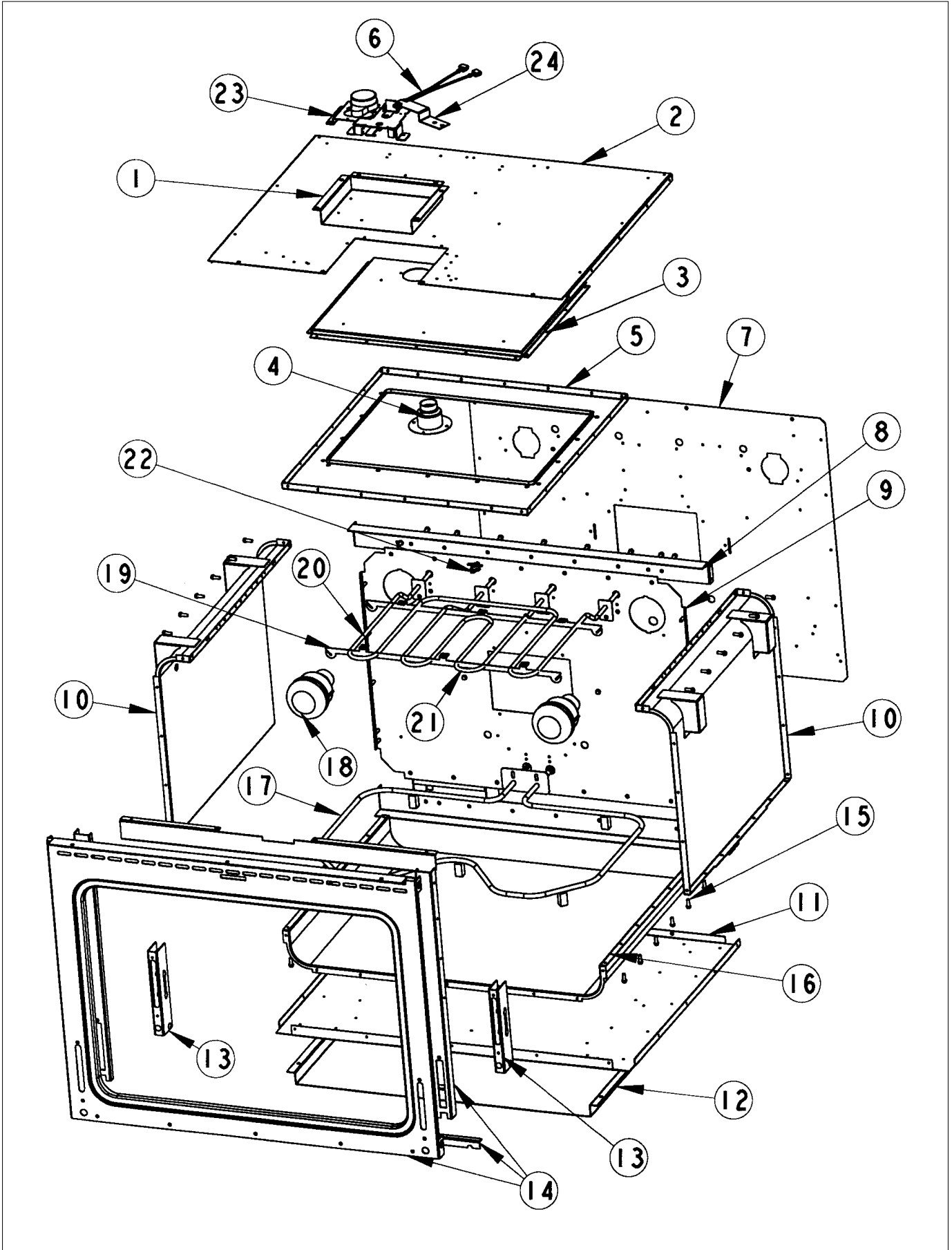


Item	Part No.	Name	Qty	Uom	NOTES
Not Shown	G3207968WHBR	DOOR ASSY. - WHBR	1	EA	Not available online / Call for pricing and availability
Not Shown	NOTE	(AFTER 2/15/02)		EA	
NI	PD020032	SRW-8(A)X3/8"PH.WFR HD 7/16DIA*NICL	1	EA	
NI	B1007234	HINGE TRIM REPL B2102963 2 EA	1	EA	
Not Shown	NOTE	(BEFORE 2/15/02)		EA	
Not Shown	B1007913	HINGE CLIP (DESIGNER TIME PIECE)	1	EA	
Not Shown	NOTE	(AFTER 2/15/02)		EA	

OVEN ASSEMBLY



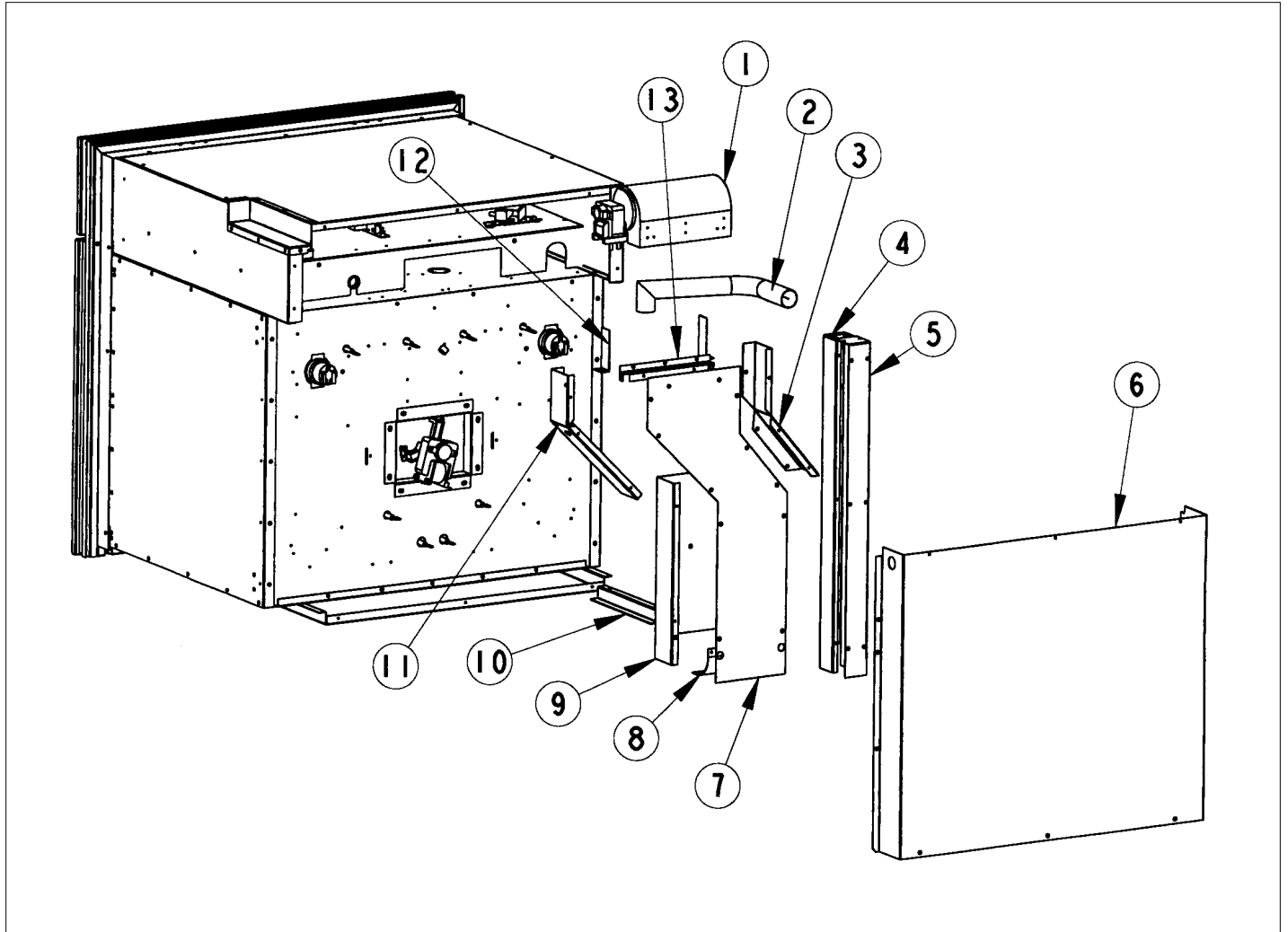
Item	Part No.	Name	Qty	Uom	NOTES
1	A2002168	DOOR LATCH BRKT (VDSC)	1	EA	
2	NOT REPLACEABLE	TOP INSULATION RETAINER	1	EA	
3	B2004311	BROILER TOP (27") (VESO176/DO276)	1	EA	NO LONGER AVAILABLE
4	PM010014	SMOKE ELIMINATOR (VDSC)	1	EA	
5	E9104302	OVEN TOP (VEDO276/VESO176)	1	EA	NO LONGER AVAILABLE, Not available online / Call for pricing and availability
6	PE050059	HI-LIMIT SWITCH	1	EA	
7	NOT REPLACEABLE	BACK INSULATION RETAINER	1	EA	
8	A2004307	REAR OVEN SUPPORT (VESO176/DO276)	1	EA	NO LONGER AVAILABLE, Not available online / Call for pricing and availability
9	NOT REPLACEABLE	OVEN BACK	1	EA	
10	NOT REPLACEABLE	OVEN SIDE ASSEMBLY	1	EA	
11	A2004306	BOTTOM INSULATION RETAINER(27"OVEN)	1	EA	NO LONGER AVAILABLE, Not available online / Call for pricing and availability
12	A2006045	OVEN BOTTOM VENT	1	EA	NO LONGER AVAILABLE, Not available online / Call for pricing and availability
13	PC020016	HINGE RECEIVER (VEDO/VEDO)	1	EA	
14	H9106146	27 INCH DESIGNER F.F. ASSEMBLY	1	EA	NO LONGER AVAILABLE, Not available online / Call for pricing and availability
15	PD020060	10 X 1/2" (5/16)HEX WSHR HD.(T)A	1	EA	
16	NOT REPLACEABLE	OVEN BOTTOM ASSEMBLY	1	EA	
17	PJ010012	BAKE ELEMENT (VESO176/VEDO276)240V	1	EA	
18	031449-000	LAMP, ASM	1	EA	
19	B2004315	BROIL ELEMENT BRKT (VESO176/DO276)	1	EA	NO LONGER AVAILABLE, Not available online / Call for pricing and availability



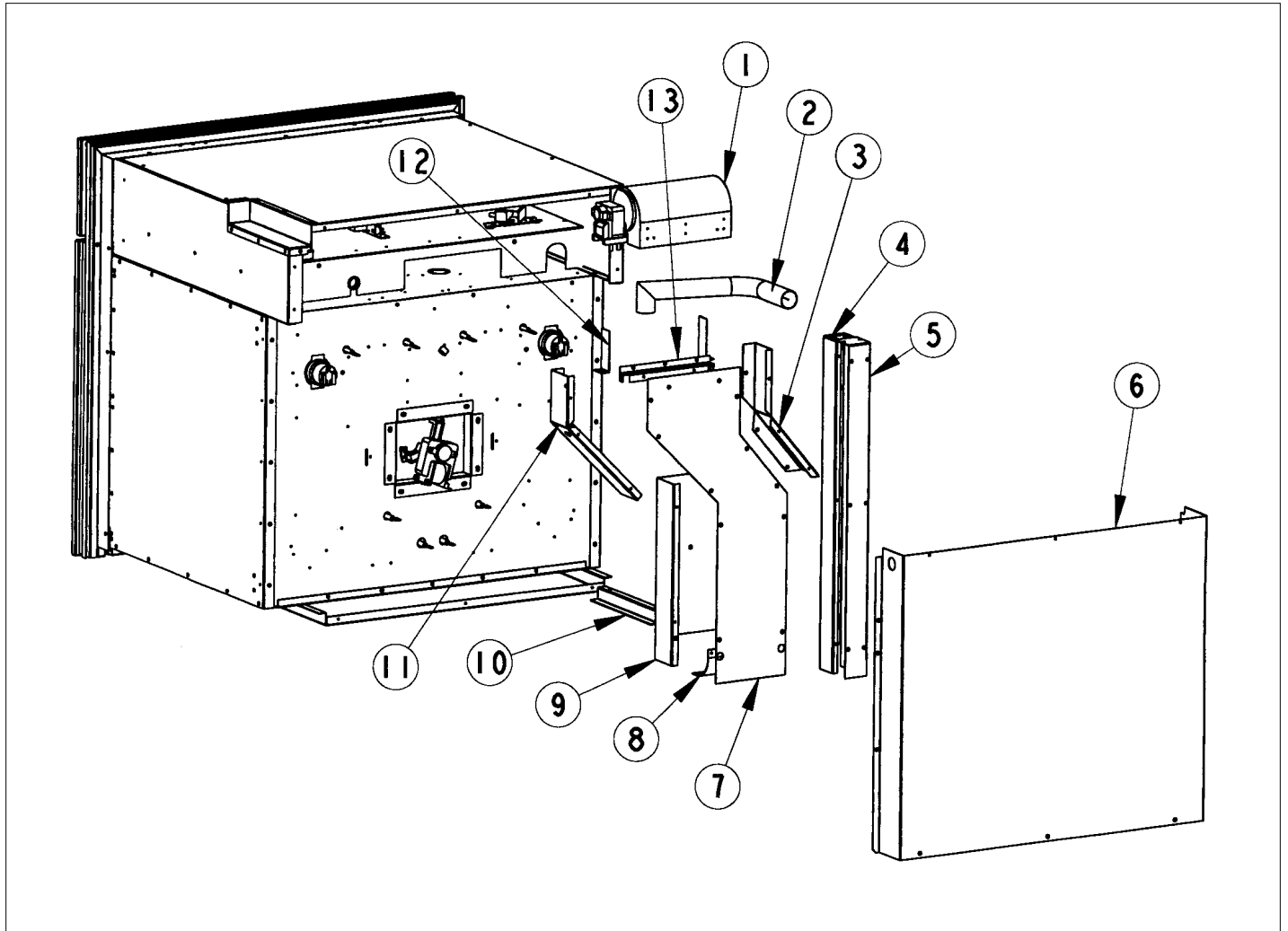


Item	Part No.	Name	Qty	Uom	NOTES
20	PJ010011	OUTSIDE BROIL ELEMENT (27" OVEN)240	1	EA	
21	PJ010001	BROIL ELEMENT 240V	1	EA	
22	PJ030006	SWITCH (COOLING FAN)	1	EA	
23	PE050112	DOOR LATCH	1	EA	
24	A2006102	UPPER VENT BRACKET	1	EA	

REAR PANEL ASSY



Item	Part No.	Name	Qty	Uom	NOTES
1	PE050087	BLOWER ASSEMBLY - DESIGNER SERIES	1	EA	
2	PB020117	DESIGNER OVEN VENT	1	EA	NO LONGER AVAILABLE
3	A2006324	VENT SIDE LH	1	EA	NO LONGER AVAILABLE, Not available online / Call for pricing and availability
4	A2006188	SINGLE OVEN FLUE	1	EA	NO LONGER AVAILABLE, Not available online / Call for pricing and availability
5	A2006189	SINGLE OVEN FLUE COVER	1	EA	NO LONGER AVAILABLE, Not available online / Call for pricing and availability
6	A2006115	LOWER REAR COVER 27	1	EA	NO LONGER AVAILABLE, Not available online / Call for pricing and availability
7	A1006190	SINGLE OVEN COVER PLATE	1	EA	NO LONGER AVAILABLE, Not available online / Call for pricing and availability
8	A2006182	AIR SCOOP	1	EA	NO LONGER AVAILABLE
9	A2006326	LOWER AIR VENT SINGLE	1	EA	NO LONGER AVAILABLE, Not available online / Call for pricing and availability
10	A2006325	LOWER VENT SEPARATOR	1	EA	NO LONGER AVAILABLE, Not available online / Call for pricing and availability
11	A2006323	VENT SIDE RH	1	EA	NO LONGER AVAILABLE, Not available online / Call for pricing and availability
12	A2006183	AIR GUIDE	1	EA	NO LONGER AVAILABLE, Not available online / Call for pricing and availability





Item	Part No.	Name	Qty	Uom	NOTES
13	A2006048	FAN MOUNTING BRACKET	1	EA	NO LONGER AVAILABLE, Not available online / Call for pricing and availability



Appendix A:Pages Index

CABINET ASSEMBLY	1
CONVECTION FAN ASSY	2
DOOR ASSEMBLY	3
OVEN ASSEMBLY	4
REAR PANEL ASSY	5



Appendix B:Parts Index

000623-000	3	A2006324	5
006072-000	3	A2006325	5
031449-000	4	A2006326	5
A1002456	1	A2008467	2
A1002596	2	B1007234	3
A1006190	5	B1007913	3
A1006197	3	B2004311	4
A1006198	3	B2004315	4
A2001361	2	B9206141	1
A2001746	2	B9207961	1
A2002168	4	C9206141BK	1
A2002595	2	C9206141BT	1
A2002904	2	C9206141GG	1
A2002966	1	C9206141SG	1
A2004306	4	C9206141WH	1
A2004307	4	C9207961BK	1
A2006007	3	C9207961BT	1
A2006045	4	C9207961GG	1
A2006048	5	C9207961SG	1
A2006095	1	C9207961WH	1
A2006097	1	E9104302	4
A2006098	1	E9106137	1
A2006099	1	G3006127	2
A2006100	1	G3207968BK	3
A2006101	1	G3207968BKBR	3
A2006102	4	G3207968BT	3
A2006109	1	G3207968BTBR	3
A2006115	5	G3207968GG	3
A2006123	1	G3207968GGBR	3
A2006143	1	G3207968SG	3
A2006144	1	G3207968SGBR	3
A2006171	1	G3207968SS	3
A2006182	5	G3207968SSBR	3
A2006183	5	G3207968WH	3
A2006185	1	G3207968WHBR	3
A2006186	1	G4008423	1
A2006188	5	G50010119	3, 3
A2006189	5	G5007605	1
A2006191	1	G5008295BK	3
A2006323	5	G5008295BT	3
		G5008295GG	3



G5008295SG	3	PE050112	4
G5008295SS	3	PE060056	3
G5008295WH	3	PE070147	1
G9104316	2	PE070148	1
H3006155	3	PE070308	1
H9106002	3	PE070319	1
H9106146	4	PJ010001	4
PA010091PVD	1	PJ010003	2
PA010092PVD	1	PJ010011	4
PA010093	1	PJ010012	4
PA010093PVD	1	PJ030001	1
PA010095	1	PJ030002	1
PA010095PVD	1	PJ030006	4
PA010110	1	PJ030011	1
PA010194	1	PM010014	4
PB010196	1	PM010029	1
PB010196PVD	1	PM010129	1
PB010204	1	PS500033	1
PB010204PVD	1		
PB010217	1		
PB010217PVD	1		
PB010222	1		
PB010222PVD	1		
PB020071	2		
PB020117	5		
PB040070	2		
PB060030	2		
PB060048	2		
PB070092	3		
PC020016	4		
PD020032	3		
PD020060	4		
PD030033	1		
PD040005	1		
PE030165	3		
PE030165PVD	3		
PE050005	2		
PE050049	1		
PE050059	4		
PE050073	1		
PE050087	5		