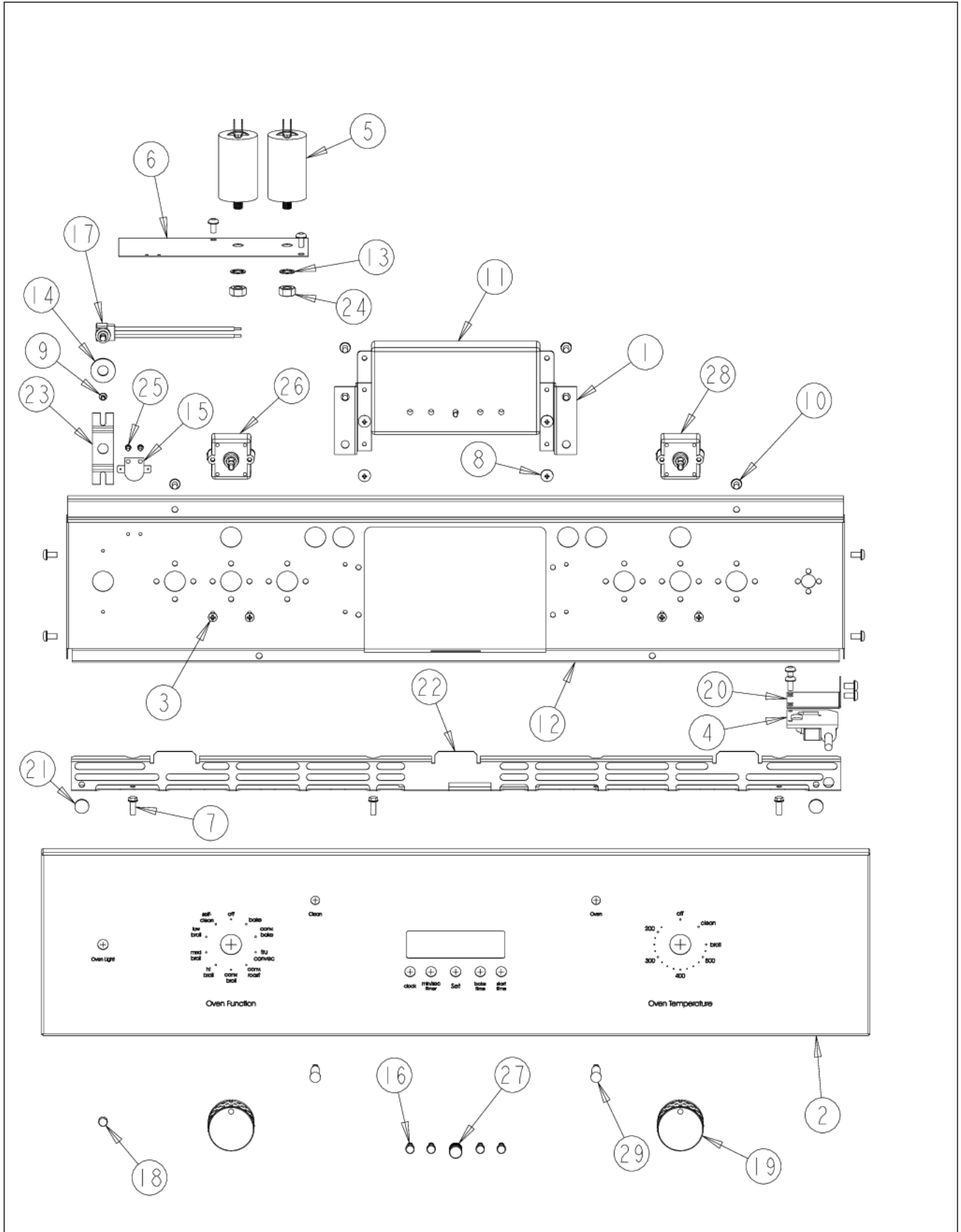


DESO130

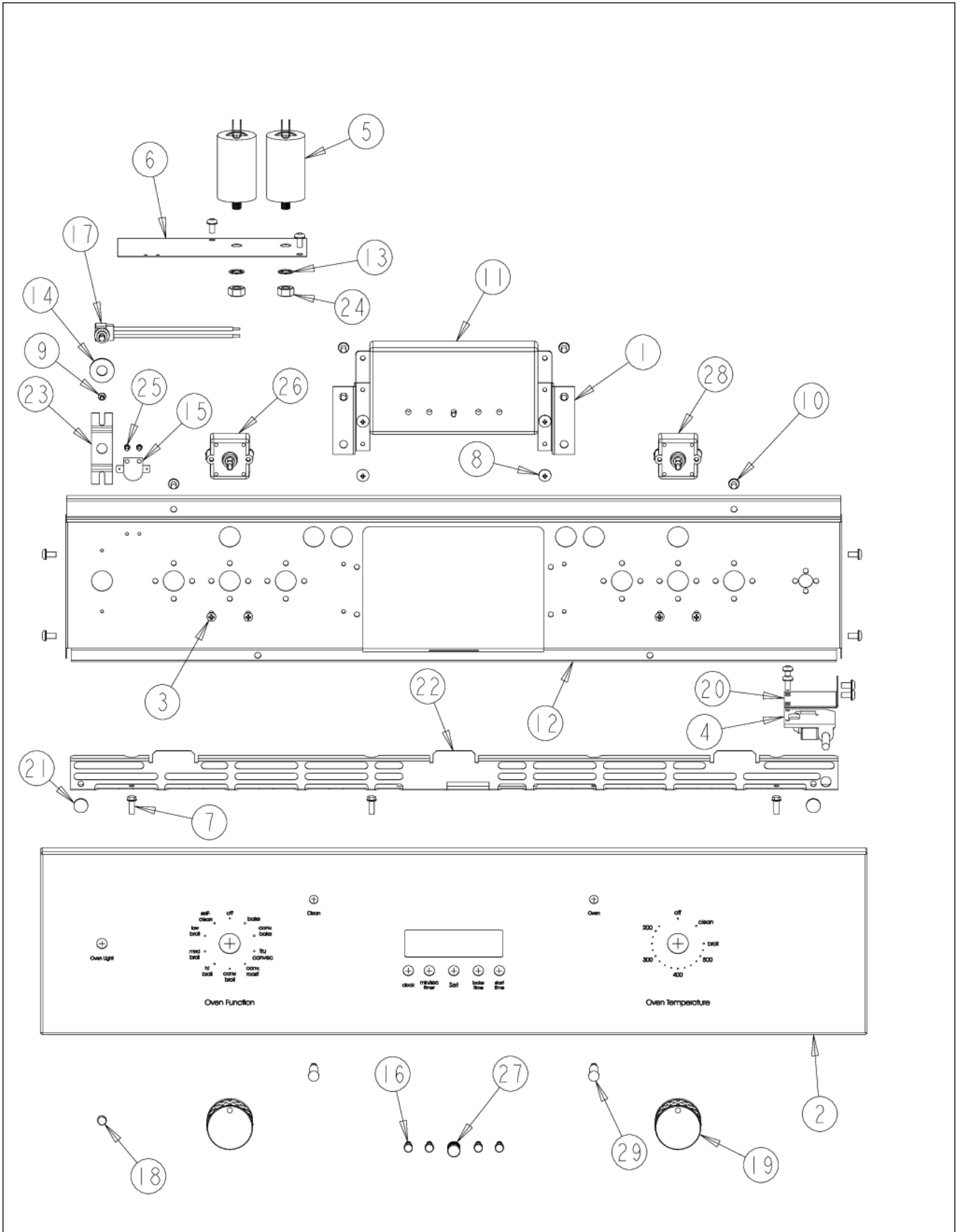
| | |
|--------------------------------------|----|
| CONTROL AREA | 1 |
| DOOR ASSEMBLY | 2 |
| LOWER UNIT | 3 |
| OVEN EXTERIOR | 4 |
| OVEN INTERIOR | 5 |
| REAR UNIT AREA | 6 |
| SIMPLE HARNESS 1 | 7 |
| SIMPLE HARNESSES 2 | 8 |
| UPPER CONTROL HARNESS | 9 |
| UPPER OVEN CAVITY AREA | 10 |
| UPPER UNIT AREA AFTER 7-20-06 | 11 |
| UPPER UNIT AREA BEFORE 7-20-06 | 12 |
| Appendix A:Pages Index | A |
| Appendix B:Parts Index | B |

CONTROL AREA



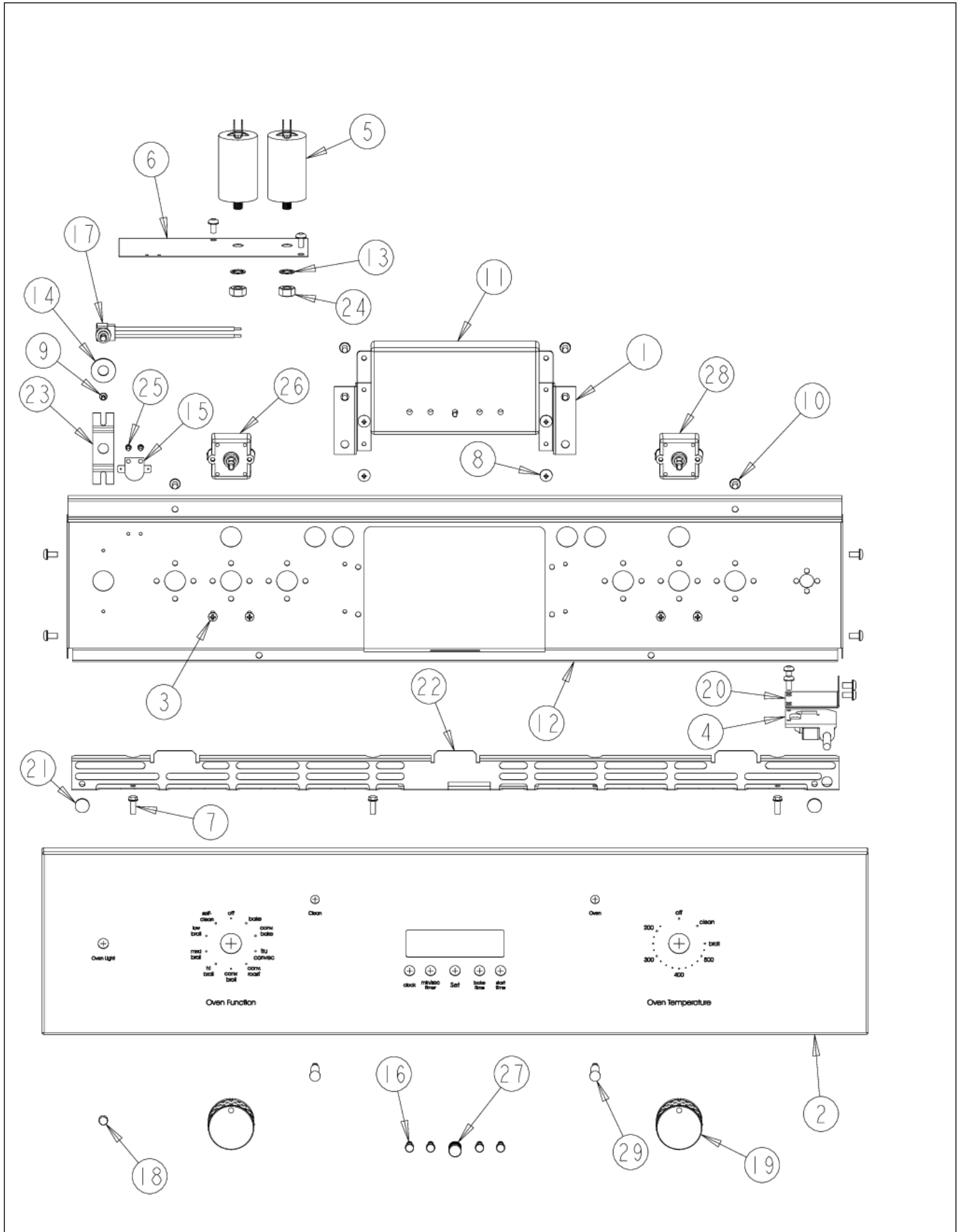


| Item | Part No. | Name | Qty | Uom | NOTES |
|--|-------------|-------------------------------------|-----|-----|---|
| 1 | A20012638 | CLOCK BRACKET | 1 | EA | NO LONGER AVAILABLE, Not available online / Call for pricing and availability |
| 2 | B92012624 | 30" PREM. SINGLE CONTROL PNL | 1 | EA | |
| Not Shown | C92012624BK | 30" PREM. SINGLE CONTROL PNL *BK* | 1 | EA | NO LONGER AVAILABLE, Not available online / Call for pricing and availability |
| Not Shown | C92012624BT | 30" PREM. SINGLE CONTROL PNL *BT* | 1 | EA | NO LONGER AVAILABLE, Not available online / Call for pricing and availability |
| Not Shown | C92012624GG | 30" PREM. SINGLE CONTROL PNL *GG* | 1 | EA | NO LONGER AVAILABLE, Not available online / Call for pricing and availability |
| Not Shown | C92012624SG | 30" PREM. SINGLE CONTROL PNL *SG* | 1 | EA | NO LONGER AVAILABLE, Not available online / Call for pricing and availability |
| Not Shown | C92012624WH | 30" PREM. SINGLE CONTROL PNL *WH* | 1 | EA | NO LONGER AVAILABLE, Not available online / Call for pricing and availability |
| 3 | PD020261 | ' #8-32X1/2" PH PANHEAD MACH. SCREW | 1 | EA | |
| 4 | PE050208 | DOOR SWITCH | 1 | EA | |
| 5 | 036047-000 | CAPACITOR, CONV MOTOR, INTL | 1 | EA | |
| 6 | A10014028 | 2 CAPACITOR BRACKET | 1 | EA | |
| <p>Comments for Part Num. A10014028</p> <p>service@priorityappliance.com on Jan 17, 2019</p> <p>The capacitors are part # 036047-000, found by looking up a VEDO130. Confirmed - they're the same capacitor.</p> | | | | | |
| 7 | PD020060 | 10 X 1/2" (5/16)HEX WSHER HD.(T)A | 1 | EA | |
| 8 | PD010003 | 10-24 X 1/2 PH.TR.HD.SERD.M.S. | 1 | EA | |
| 9 | PD020006 | ' #6-32 X 1/4" PH.PAN HD. T(F) | 1 | EA | |





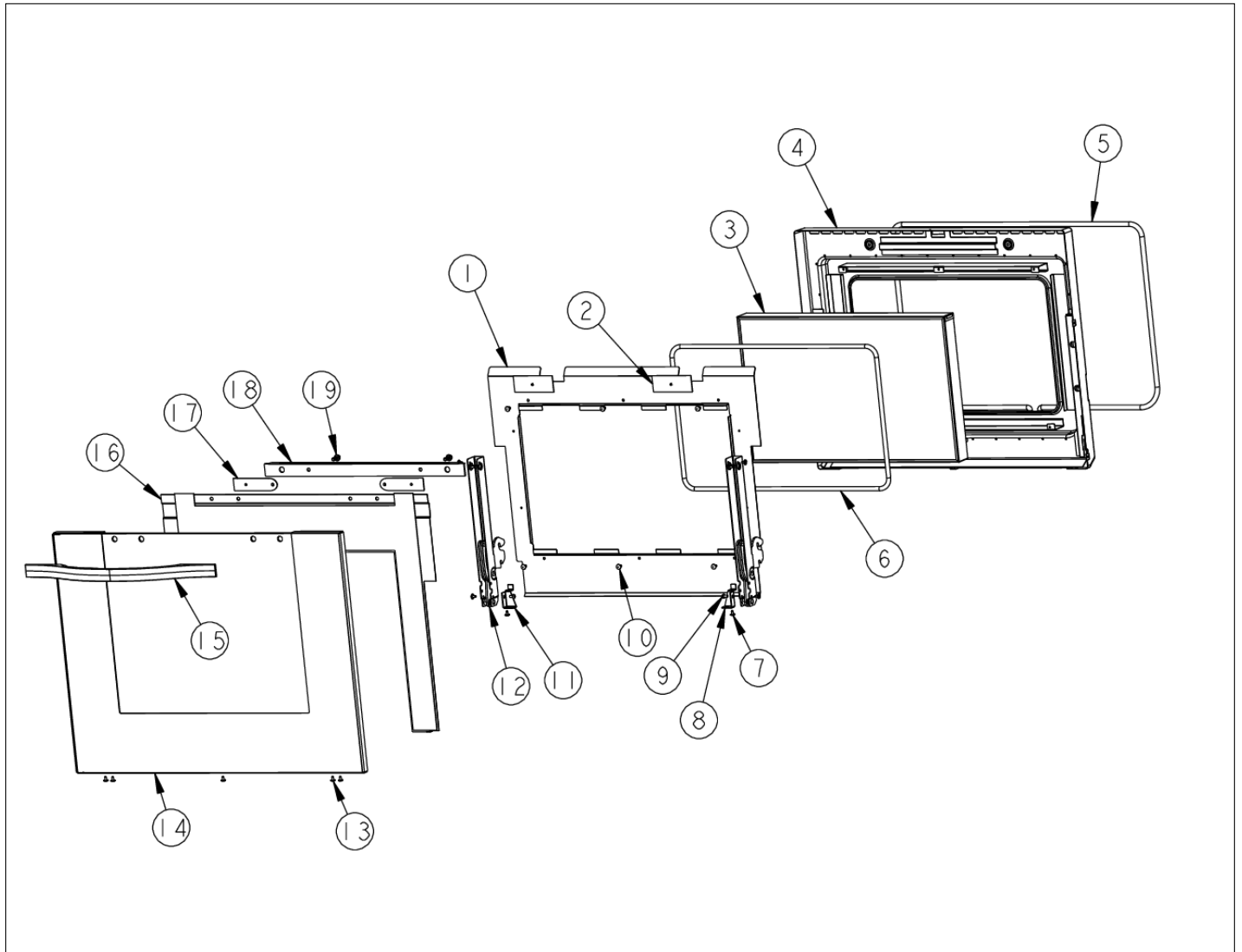
| Item | Part No. | Name | Qty | Uom | NOTES |
|--------------|-------------|--|-----|-----|---|
| 10 | PD020004 | 10X3/8PH.HD.TYPE 25 REPL PD040125 | 1 | EA | |
| 11 | PE050214 | CLOCK (DIGITAL 230V 50/60HZ) | 1 | EA | |
| 12 | A20012619 | 30" CONTROL MTG. PANEL | 1 | EA | |
| 13 | PD040164 | 5/16 INTERNAL TOOTH LOCK WASHER TYPE A | 1 | EA | |
| 14 | PD040160 | 3/8" STEEL WASHER | 1 | EA | |
| 15 | G50015486 | DESIGNER LIMIT SWITCH KIT | 1 | EA | |
| Not Shown | NOTE | (BEFORE 07-24-06) | | EA | |
| Not Shown | PJ030043 | Bi Metal Thermostat - 150 Degrees | 1 | EA | |
| Not Shown | NOTE | (AFTER 07-24-06) | | EA | |
| 16 | PB010315 | DES. CLOCK BUTTON | 1 | EA | |
| 17 | G40015469 | LIGHT SWITCH ASSEMBLY | 1 | EA | |
| 18 | PA010093 | DESIGNER OVEN LT SWITCH KNOB | 1 | EA | |
| Not Shown | PA010093PVD | DESIGNER OVEN LT SWITCH KNOB-BRASS | 1 | EA | |
| 19 | PA010194 | DES. SELECTOR/THERMOSTAT KNOB | 1 | EA | |
| Not Shown | PA010194PVD | DES. SELECTOR/THERMOSTAT KNOB-BRASS | 1 | EA | |
| Not Shown | PA010195 | DES. SELECTOR/THERMOSTAT KNOB - GREY | 1 | EA | NO LONGER AVAILABLE |
| Not Shown | PA010195PVD | SELECTOR / THERMOSTAT KNOB - GR / BR | 1 | EA | Not available online / Call for pricing and availability |
| 20 | A20012649 | DOOR SWITCH BRACKET | 1 | EA | |
| 21 | PD040004 | GROMMET BUMPER | 1 | EA | |
| 22 | C90014072BK | 30" INLET GRILL | 1 | EA | |
| 23 | A10014045 | LIGHT SWITCH BRACKET | 1 | EA | |
| 24 | PD030172 | M8 X 1.25MM NUT | 1 | EA | |
| 25 | PD020013 | TYPE "AB" #6 X 3/8 PH PAN HD. SMS | 1 | EA | |
| 26 | PJ030033 | SELECTOR (10 POS) | 1 | EA | |





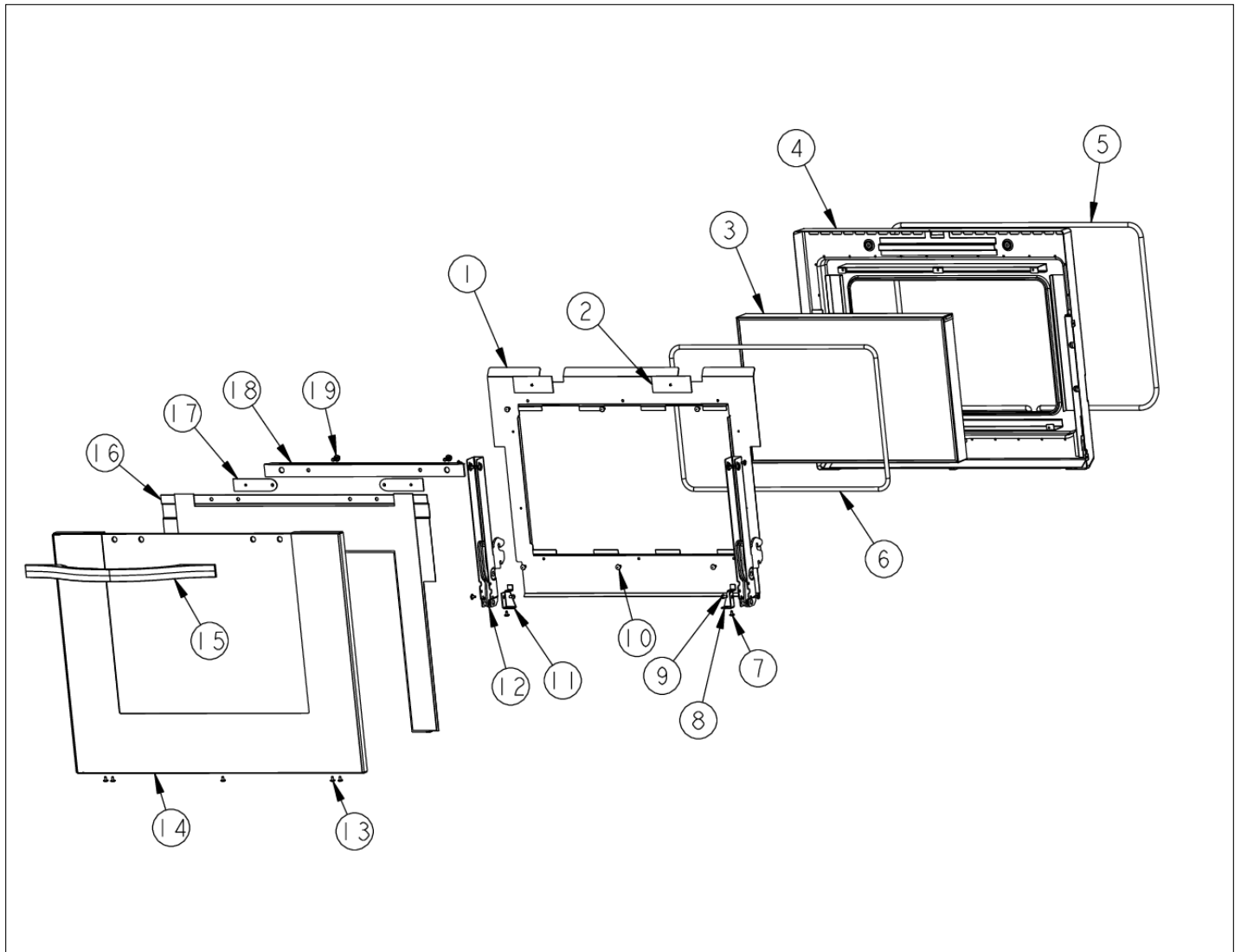
| Item | Part No. | Name | Qty | Uom | NOTES |
|--|-------------|---|-----|-----|-------|
| 27 | PB010314 | TEST DESIGNER BIT GENERATOR KNOB | 1 | EA | |
| Not Shown | PB010314PVD | TEST DESIGNER BIT GENERATOR KNOB-BRASS | 1 | EA | |
| 28 | PJ030035 | THERMOSTAT | 1 | EA | |
| <p>Comments for Part Num. PJ030035</p> <p>parts@lvdistributes.com on Feb 7, 2018 this is not the correct part for this range it should be a 003225-000 Reply by JREXEC02@AOL.COM on Feb 27, 2018 003225-000 is an Induction Control.</p> <p>PJ030035 is the red colored thermostat for the Gas Range *****</p> | | | | | |
| 29 | PE050078 | VECU POWER LIGHT | 1 | EA | |

DOOR ASSEMBLY

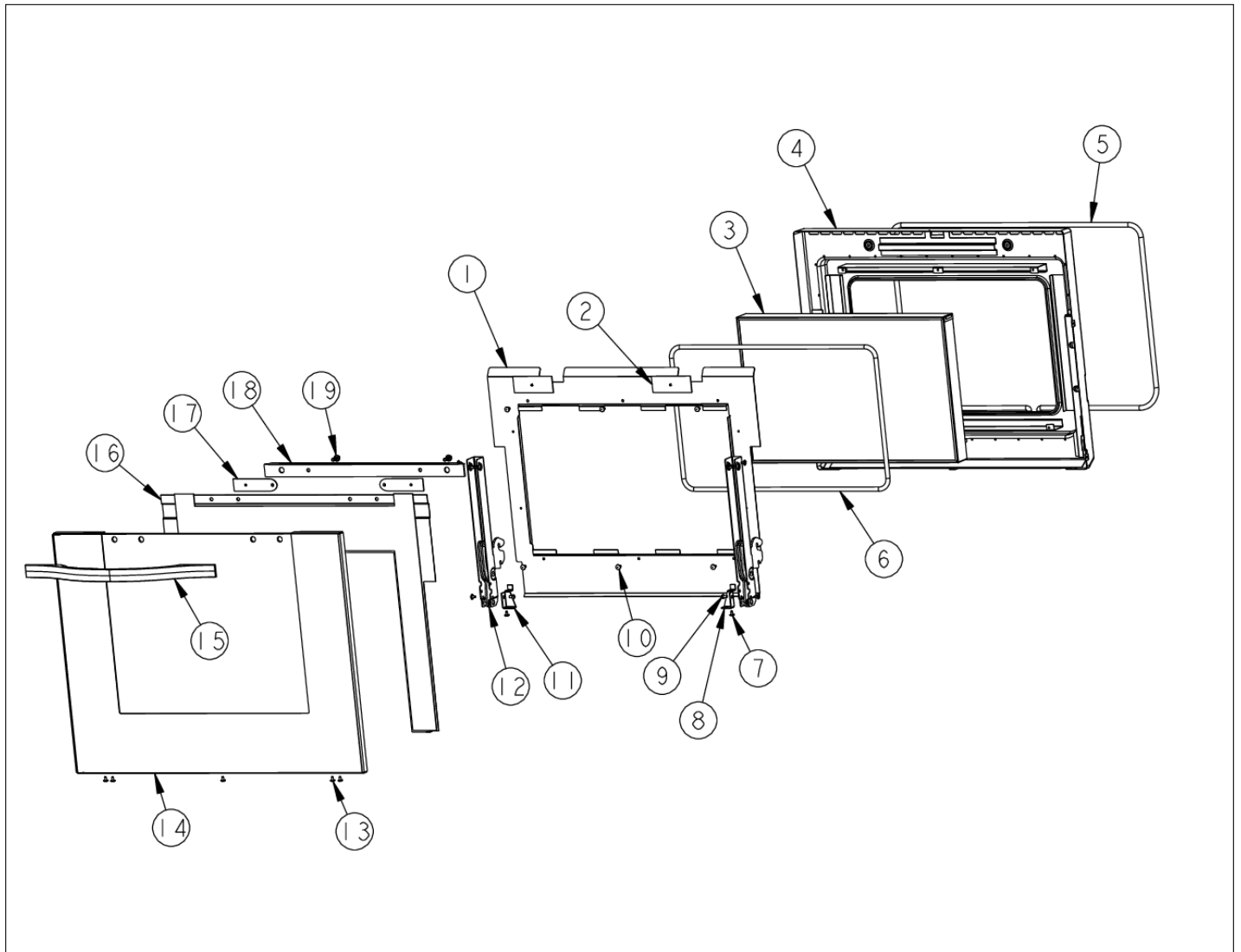




| Item | Part No. | Name | Qty | Uom | NOTES |
|---|-------------|--------------------------------------|-----|-----|---------------------|
| 1 | A2009632 | PANEL, INULATION, INNER DOOR | 1 | EA | |
| 2 | PB070336 | Door Bracket Insulation | 1 | EA | |
| 3 | PE060094 | 30 WINDOW PACK | 1 | EA | |
| 4 | G9109625 | DOOR LINER PORC. | 1 | EA | |
| 5 | PB070246 | 30" DOOR GASKET | 1 | EA | |
| 6 | 000594-000 | BLACK FIBERGLASS ROPE 3/8 | 1 | EA | |
| 7 | PD020063 | SCREW-#8(A) X 3/8"PH WFR HD/BK OXID | 1 | EA | |
| 8 | A20012640 | HINGE SUPPORT RH | 1 | EA | |
| 9 | PD020004 | 10X3/8PH.HD.TYPE 25 REPL PD040125 | 1 | EA | |
| 10 | PD020002 | 10 X 1/2 PH.TR.HD.SMS. | 1 | EA | |
| 11 | A20012641 | HINGE SUPPORT LH | 1 | EA | |
| 12 | 023797-000 | HINGE, MANSFIELD, YELLOW | 2 | EA | |
| <p>Comments for Part Num. 023797-000</p> <p>bhayzelden@VikingRange.com on Jan 19, 2016</p> <p>tech noticed unit had Green Mansfield hinges not yellow Mansfield Hinges correct Hinge part Number 006070-000</p> | | | | | |
| 13 | PD020032 | SRW-8(A)X3/8"PH.WFR HD 7/16DIA*NICL | 1 | EA | |
| 14 | 001451-002 | 30" DES DOOR SKIN KIT W/LOGO - BK | 1 | EA | |
| Not Shown | 001451-003 | 30" DES DOOR SKIN KIT W/LOGO - BT | 1 | EA | NO LONGER AVAILABLE |
| Not Shown | 001451-005 | 30" DES DOOR SKIN KIT W/LOGO - GG | 1 | EA | NO LONGER AVAILABLE |
| Not Shown | 001451-004 | 30" DES DOOR SKIN KIT W/LOGO - SG | 1 | EA | NO LONGER AVAILABLE |
| Not Shown | 001451-000 | 30" DES DOOR SKIN KIT W/LOGO - SS | 1 | EA | |
| Not Shown | 001451-006 | 30" DES DOOR SKIN KIT W/LOGO - WH | 1 | EA | |
| 15 | PE030167 | 30" DOOR HANDLE | 1 | EA | |
| Not Shown | PE030167PVD | 30" DOOR HANDLE PVD | 1 | EA | NO LONGER AVAILABLE |
| 16 | 001497-000 | Designer 30" Insulation Retainer Kit | 1 | EA | INCLUDES INSULATION |



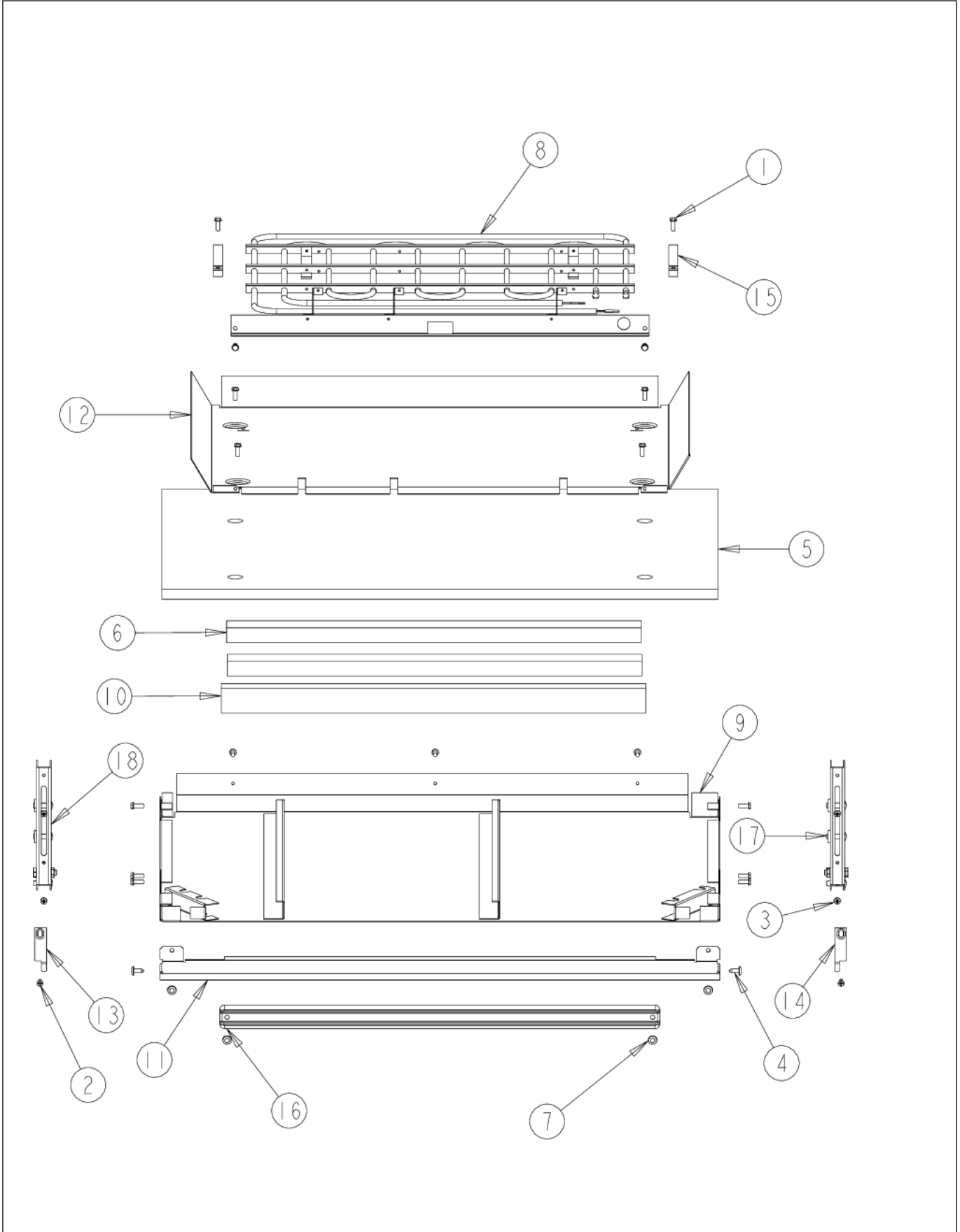
| Item | Part No. | Name | Qty | Uom | NOTES |
|-----------|---------------|-----------------------------------|-----|-----|---|
| 17 | PC050002 | DESIGNER DOOR HANDLE SPACER | 1 | EA | |
| 18 | PE040285 | DESIGNER DOOR TRIM | 1 | EA | Not available online / Call for pricing and availability |
| 19 | PD020186 | 1/4"-20 X 3/4" HEX WASHER HEAD MS | 1 | EA | Not available online / Call for pricing and availability |
| NI | G32012750BK | 30" DOOR ASSY W/LOGO *BK* | 1 | EA | NO LONGER AVAILABLE |
| Not Shown | G32012750BKBR | 30" DOOR ASSY W/LOGO *BKBR* | 1 | EA | NO LONGER AVAILABLE, Not available online / Call for pricing and availability |
| Not Shown | G32012750BT | 30" DOOR ASSY W/LOGO *BT* | 1 | EA | NO LONGER AVAILABLE, Not available online / Call for pricing and availability |
| Not Shown | G32012750BTBR | 30" DOOR ASSY W/LOGO *BTBR* | 1 | EA | NO LONGER AVAILABLE, Not available online / Call for pricing and availability |
| Not Shown | G32012750GG | 30" DOOR ASSY W/LOGO *GG* | 1 | EA | NO LONGER AVAILABLE |
| Not Shown | G32012750GGBR | 30" DOOR ASSY W/LOGO *GGBR* | 1 | EA | NO LONGER AVAILABLE, Not available online / Call for pricing and availability |
| Not Shown | G32012750SG | 30" DOOR ASSY W/LOGO *SG* | 1 | EA | NO LONGER AVAILABLE |
| Not Shown | G32012750SGBR | 30" DOOR ASSY W/LOGO *SGBR* | 1 | EA | NO LONGER AVAILABLE, Not available online / Call for pricing and availability |
| Not Shown | G32012750SS | 30" DOOR ASSY W/LOGO | 1 | EA | |
| Not Shown | G32012750SSBR | COMPLETE DOOR ASSEMBLY - SSBR | 1 | EA | |
| Not Shown | G32012750WH | 30" DOOR ASSY W/LOGO *WH* | 1 | EA | NO LONGER AVAILABLE |
| Not Shown | G32012750WHBR | COMPLETE DOOR ASSEMBLY - WHBR | 1 | EA | Not available online / Call for pricing and availability |





| Item | Part No. | Name | Qty | Uom | NOTES |
|------|------------|-------------------------------|-----|-----|-------|
| NI | 017736-000 | WINDOW PACK INSULATION KIT | 1 | EA | |

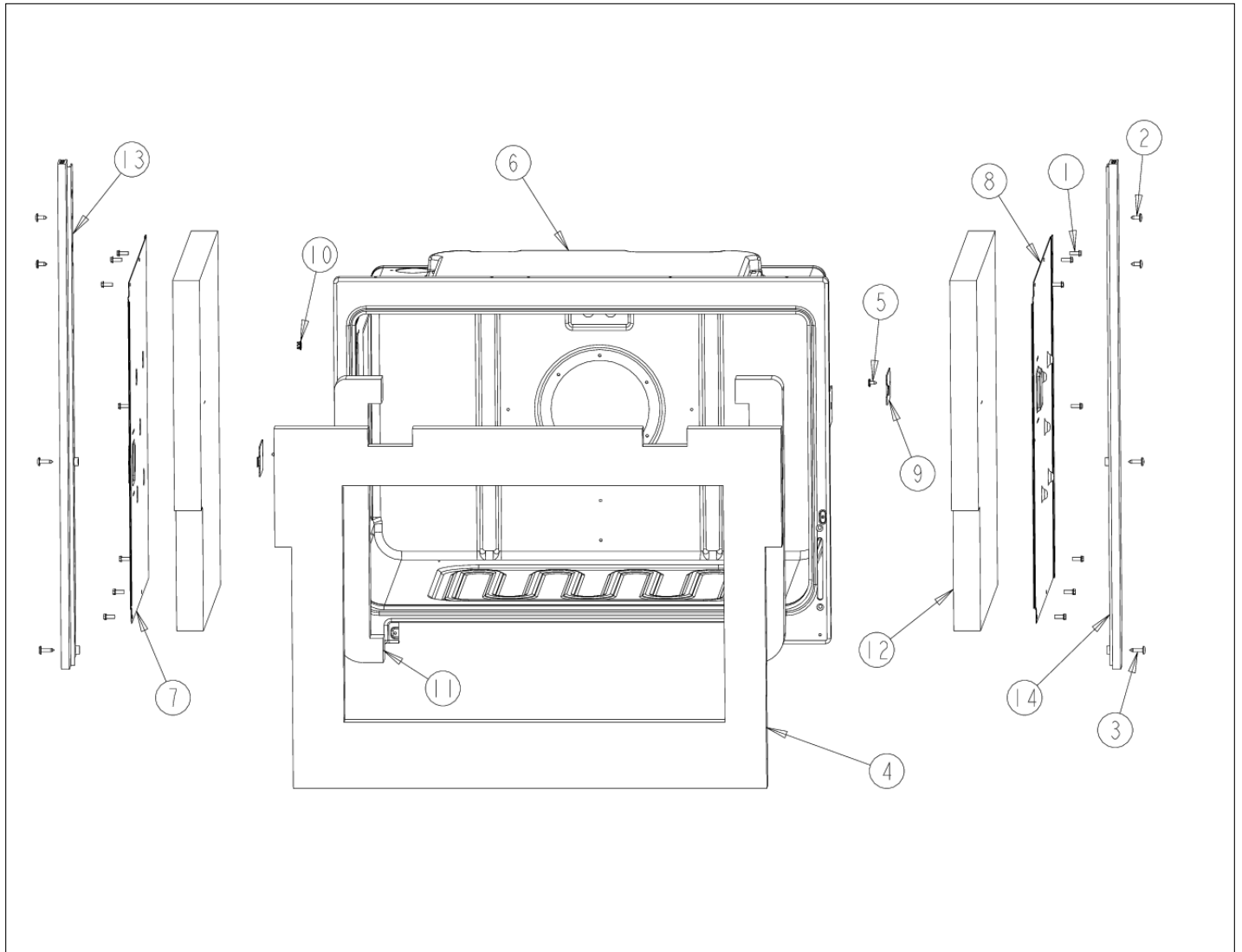
LOWER UNIT





| Item | Part No. | Name | Qty | Uom | NOTES |
|------|------------|--|-----|-----|-------|
| 1 | PD020060 | 10 X 1/2" (5/16)HEX WSHER HD.(T)A | 1 | EA | |
| 2 | PD020061 | ' #8 X 3/4 FLAT HD TEK. *SS* | 1 | EA | |
| 3 | PD020062 | #8-32 X 3/8 PHMS TYPE 1 | 1 | EA | |
| 4 | PD020002 | 10 X 1/2 PH.TR.HD.SMS. | 1 | EA | |
| 5 | PB070303 | 30" BOTTOM INSULATION | 1 | EA | |
| 6 | PB070269 | 30" WINDOW PACK INSULATION | 1 | EA | |
| 7 | PD020063 | SCREW-#8(A) X 3/8"PH WFR HD/BK OXID | 1 | EA | |
| 8 | PJ010048 | BAKE ELEMENT | 1 | EA | |
| 9 | G3009694 | BASE MODULE ASSY 30" | 1 | EA | |
| 10 | PB070309 | BAKE ELEMENT INSULATION | 1 | EA | |
| 11 | C9009676BK | BOTTOM AIR DEFLECTOR 30" | 1 | EA | |
| 12 | A2009612 | ELEMENT, MTG TRAY | 1 | EA | |
| 13 | B21010916 | HINGE CLIP - LH | 1 | EA | |
| 14 | B21010915 | HINGE CLIP - RH | 1 | EA | |
| 15 | A2009696 | HOLDER, BAKE ELEMENT | 1 | EA | |
| 16 | E9109655 | COVER, BAKE TRAY | 1 | EA | |
| 17 | PC020221 | HINGE POCKET RECEIVER MANSFIELD RH | 1 | EA | |
| 18 | PC020247 | HINGE POCKET RECEIVER MANSFIELD LH | 1 | EA | |

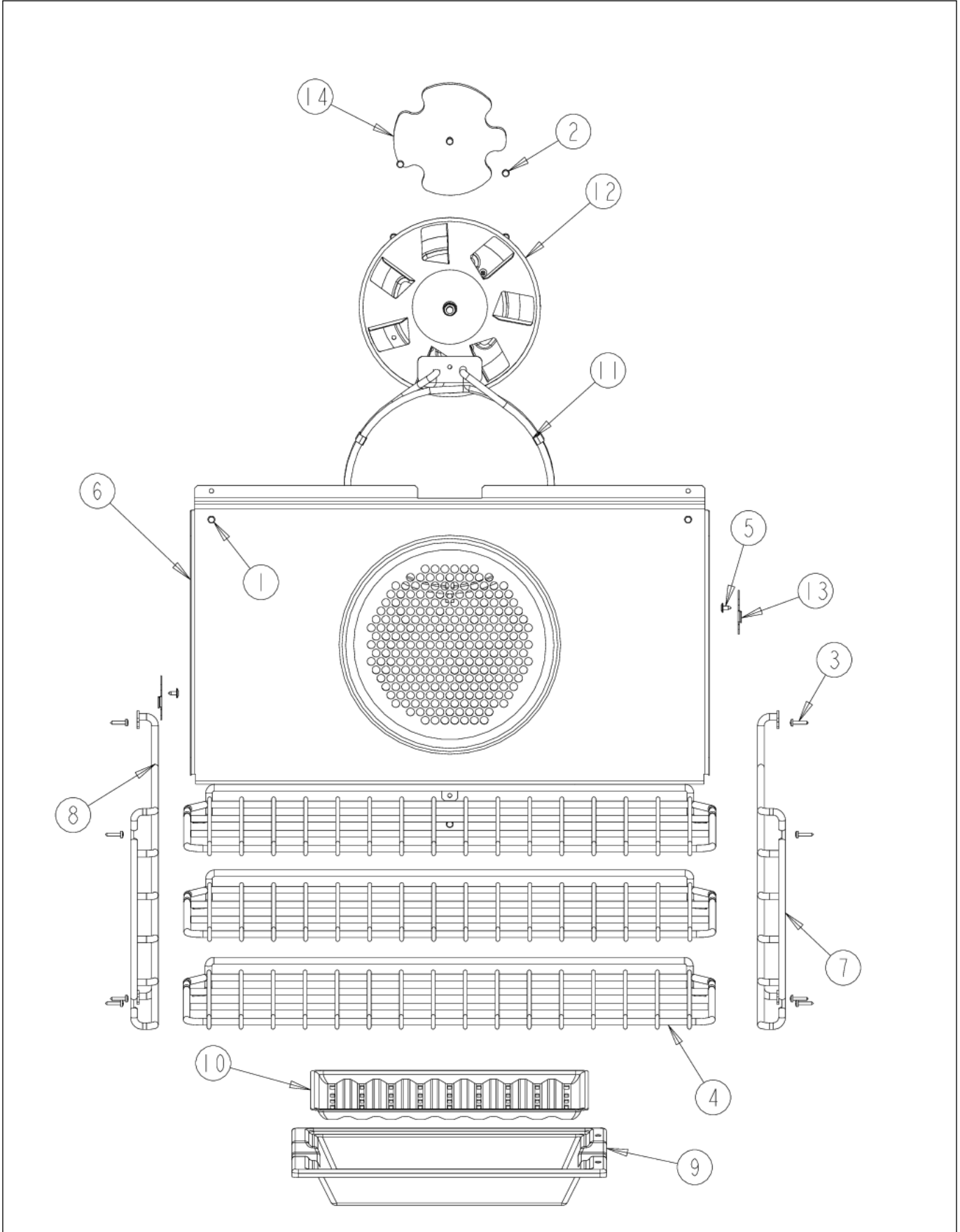
OVEN EXTERIOR





| Item | Part No. | Name | Qty | Uom | NOTES |
|------|-----------|--|-----|-----|---|
| 1 | PD020060 | 10 X 1/2" (5/16)HEX WSHER HD.(T)A | 1 | EA | |
| 2 | PD020002 | 10 X 1/2 PH.TR.HD.SMS. | 1 | EA | |
| 3 | PD020014 | 10X3/4 PH TR HD SMS | 1 | EA | |
| 4 | PB070272 | 30" DOOR INSULATION | 1 | EA | |
| 5 | PD020063 | SCREW-#8(A) X 3/8"PH WFR HD/BK OXID | 1 | EA | |
| 6 | G91014039 | 30" PREMIERE CAVITY ASSY | 1 | EA | |
| 7 | A20012650 | BRKT, TOP WRAPPER LEFT | 1 | EA | Not available online / Call for pricing and availability |
| 8 | A2009622 | BRKT, TOP WRAPPER, RIGHT | 1 | EA | Not available online / Call for pricing and availability |
| 9 | E91012614 | LIGHT HOLE COVER | 1 | EA | |
| 10 | E91014053 | PORCELAIN 25/64" HOLE PLUG | 1 | EA | Not available online / Call for pricing and availability |
| 11 | PB070271 | DOOR PLUG INSULATION | 1 | EA | |
| 12 | PB070302 | SIDE INSULATION | 1 | EA | |
| 13 | PE040282 | DES. SINGLE SIDE TRIM LH | 1 | EA | NO LONGER AVAILABLE |
| 14 | PE040281 | DES. SINGLE SIDE TRIM RH | 1 | EA | NO LONGER AVAILABLE |

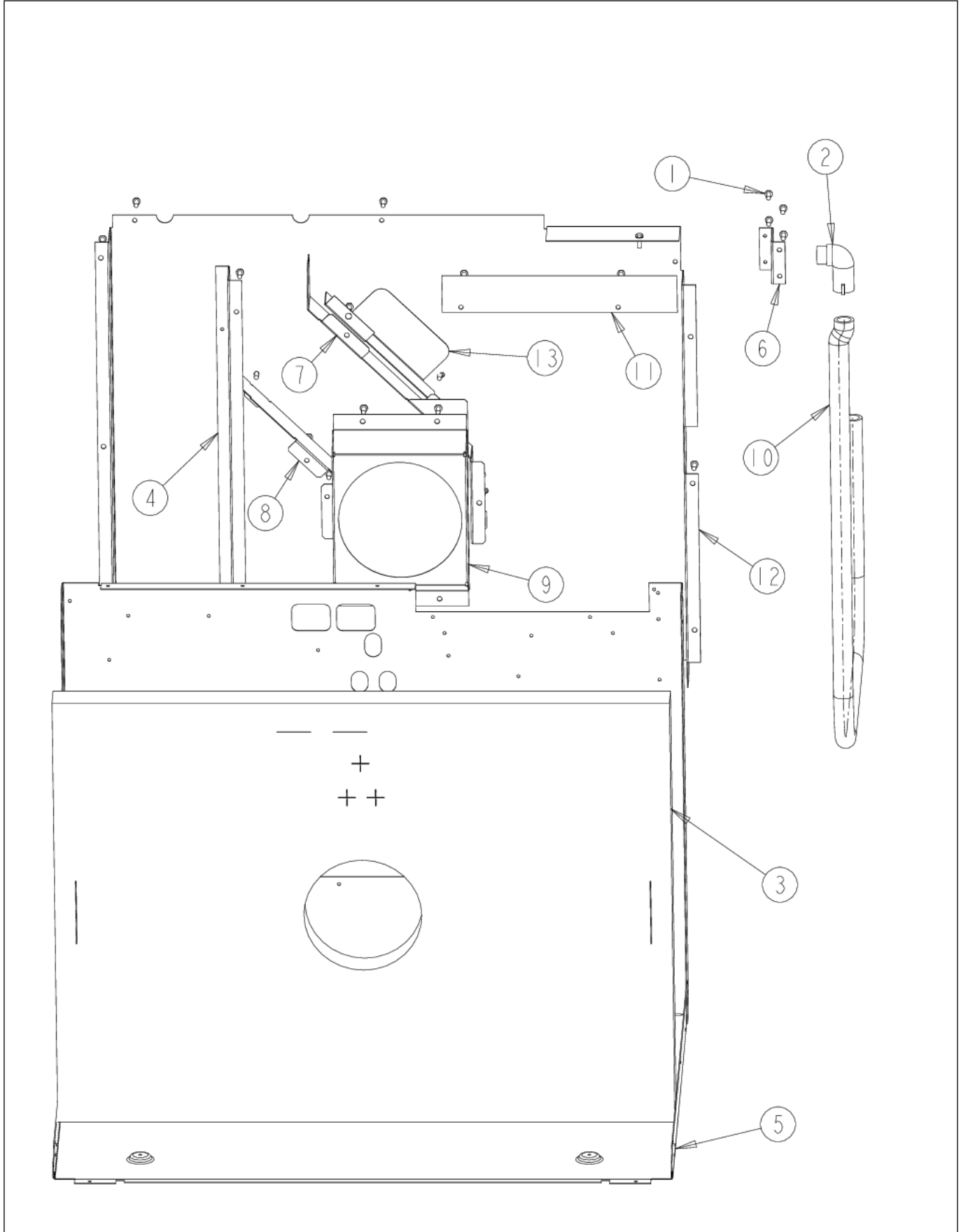
OVEN INTERIOR





| Item | Part No. | Name | Qty | Uom | NOTES |
|------|------------|--|-----|-----|-------|
| 1 | PD020055 | ' #10 X 1/2" PAN PHIL. TEK.*SS* | 1 | EA | |
| 2 | PD020060 | 10 X 1/2" (5/16)HEX WSHER HD.(T)A | 1 | EA | |
| 3 | PD020232 | #8 X 3/4" PH PAN HEAD TEK SCREW (BLACK OXIDE) | 1 | EA | |
| 4 | PB060107 | 30" OVEN RACK | 1 | EA | |
| 5 | PD020063 | SCREW-#8(A) X 3/8"PH WFR HD/BK OXID | 1 | EA | |
| 6 | G91013598 | 30" BAFFLE ASSEMBLY | 1 | EA | |
| 7 | PB060103 | RACK SUPPORT RH | 1 | EA | |
| 8 | PB060104 | RACK SUPPORT LH | 1 | EA | |
| 9 | E9107933 | BROILER PAN | 1 | EA | |
| 10 | E9107934 | BROILER PAN INSERT - NLA | 1 | EA | |
| 11 | PJ010047 | CONVECTION ELEMENT | 1 | EA | |
| 12 | G32014020 | CONVECTION FAN ASSY | 1 | EA | |
| 13 | E91012614 | LIGHT HOLE COVER | 1 | EA | |
| 14 | PB070312 | CONVECTION MOTOR MTG. PLATE INSULATION | 1 | EA | |
| NI | 001097-000 | FAN MOTOR JUMPER | 1 | EA | |

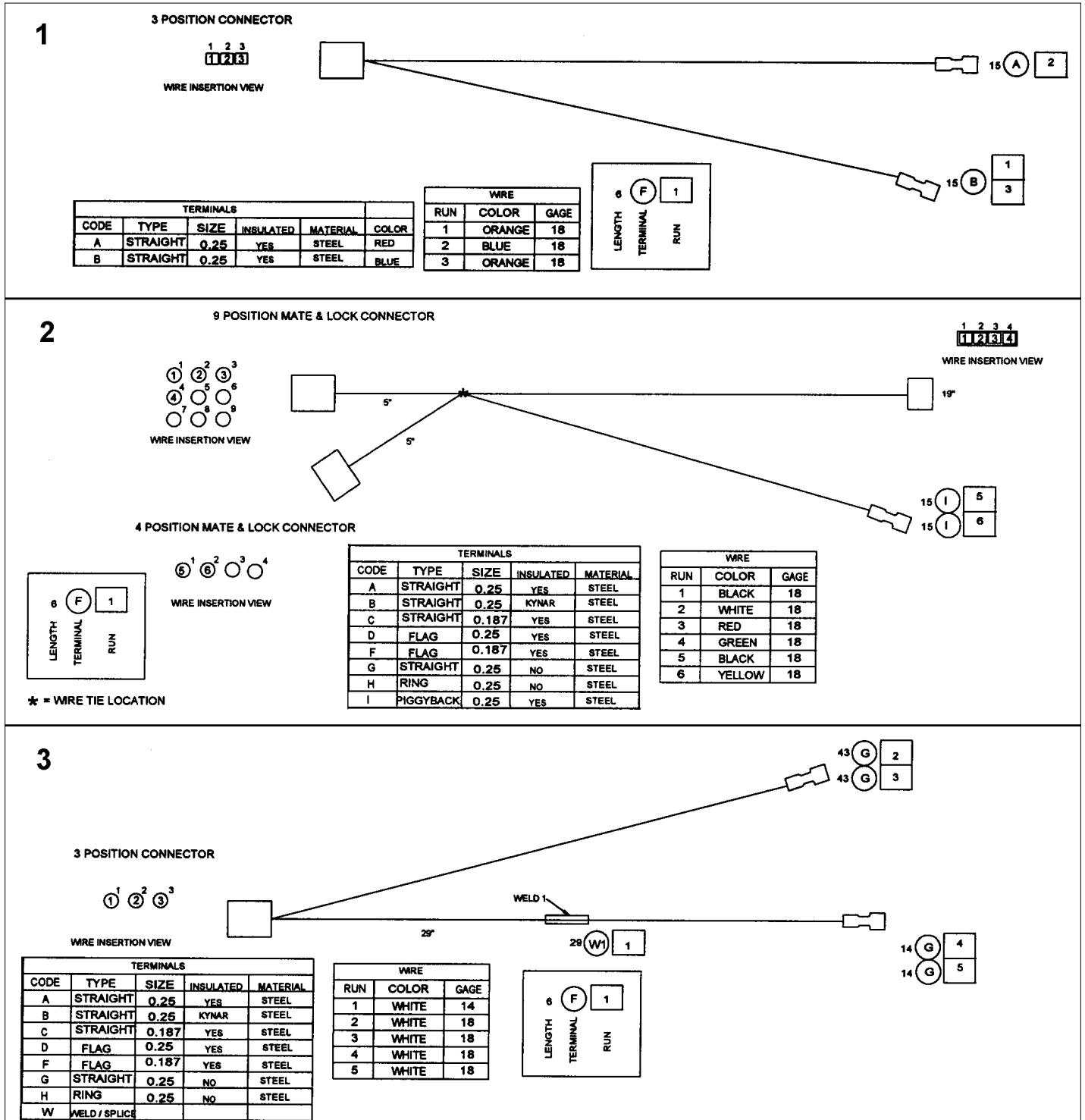
REAR UNIT AREA





| Item | Part No. | Name | Qty | Uom | NOTES |
|------|-----------|--------------------------------------|-----|-----|---|
| 1 | PD020060 | 10 X 1/2" (5/16)HEX WSHER HD.(T)A | 1 | EA | |
| 2 | PB040070 | CONDUIT FITTING (90 DEG) | 1 | EA | |
| 3 | PB070304 | 30" BACK INSULATION | 1 | EA | NO LONGER AVAILABLE, Not available online / Call for pricing and availability |
| 4 | A2009666 | AIR CHANNEL | 1 | EA | |
| 5 | A2009620 | BASE, BACK WRAPPER | 1 | EA | |
| 6 | A2009671 | BRACKET, POWER CABLE | 1 | EA | |
| 7 | A21010918 | BRACKET, AIR, CONVECTION MOTOR | 1 | EA | NO LONGER AVAILABLE, Not available online / Call for pricing and availability |
| 8 | A21010919 | BRACKET, AIR, CONVECTION MOTOR | 1 | EA | NO LONGER AVAILABLE, Not available online / Call for pricing and availability |
| 9 | A2009697 | BRACKET, CONVECTION INSULATION | 1 | EA | |
| 10 | PB020071 | CONDUIT - FLEXIBLE (48") | 1 | EA | |
| 11 | A10010907 | COVER, BLOWER | 1 | EA | |
| 12 | A2009640 | PANEL, REAR 30" | 1 | EA | |
| 13 | A20014052 | WIRE SHIELD | 1 | EA | |

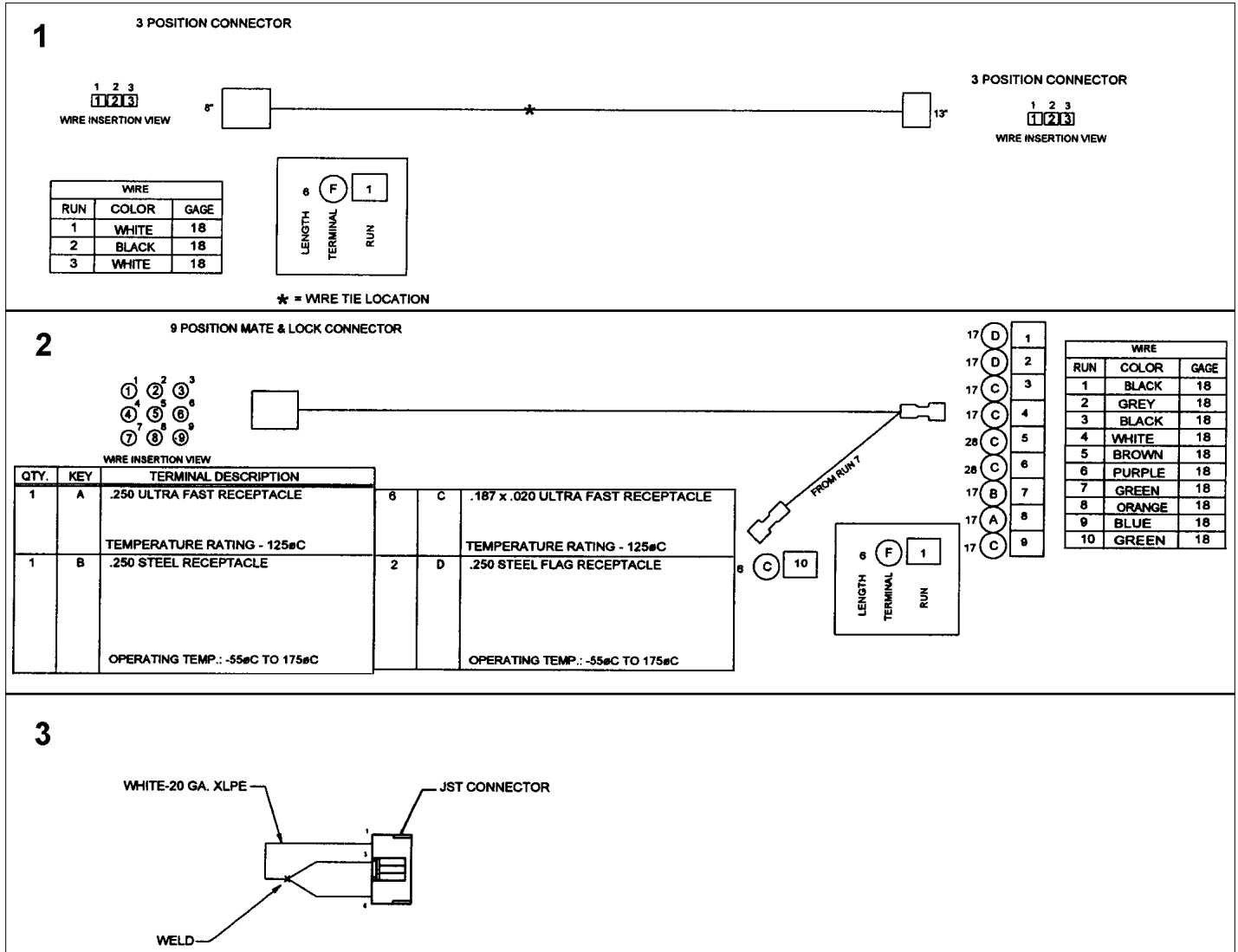
SIMPLE HARNESS 1





| Item | Part No. | Name | Qty | Uom | NOTES |
|------|----------|--|-----|-----|--|
| 1 | PE070743 | SINGLE CLOCK HARNESS | 1 | EA | |
| 2 | PE070754 | TEST HARNESS SINGLE | 1 | EA | Not available online / Call for pricing and availability |
| 3 | PE070739 | BAKE ELEMENT HARNESS | 1 | EA | |
| NI | G4005496 | SUPPLY WIRE - 100" BK 10GA SO/DO | 1 | EA | |
| NI | G4005497 | SUPPLY WIRE - 100" GREEN 10GA SO/DO | 1 | EA | |
| NI | G4005499 | SUPPLY WIRE - 100" RED 10GA SO/DO | 1 | EA | |
| NI | G4005494 | SUPPLY WIRE - 75" WH 12 GA SO/DO - NLA | 1 | EA | |

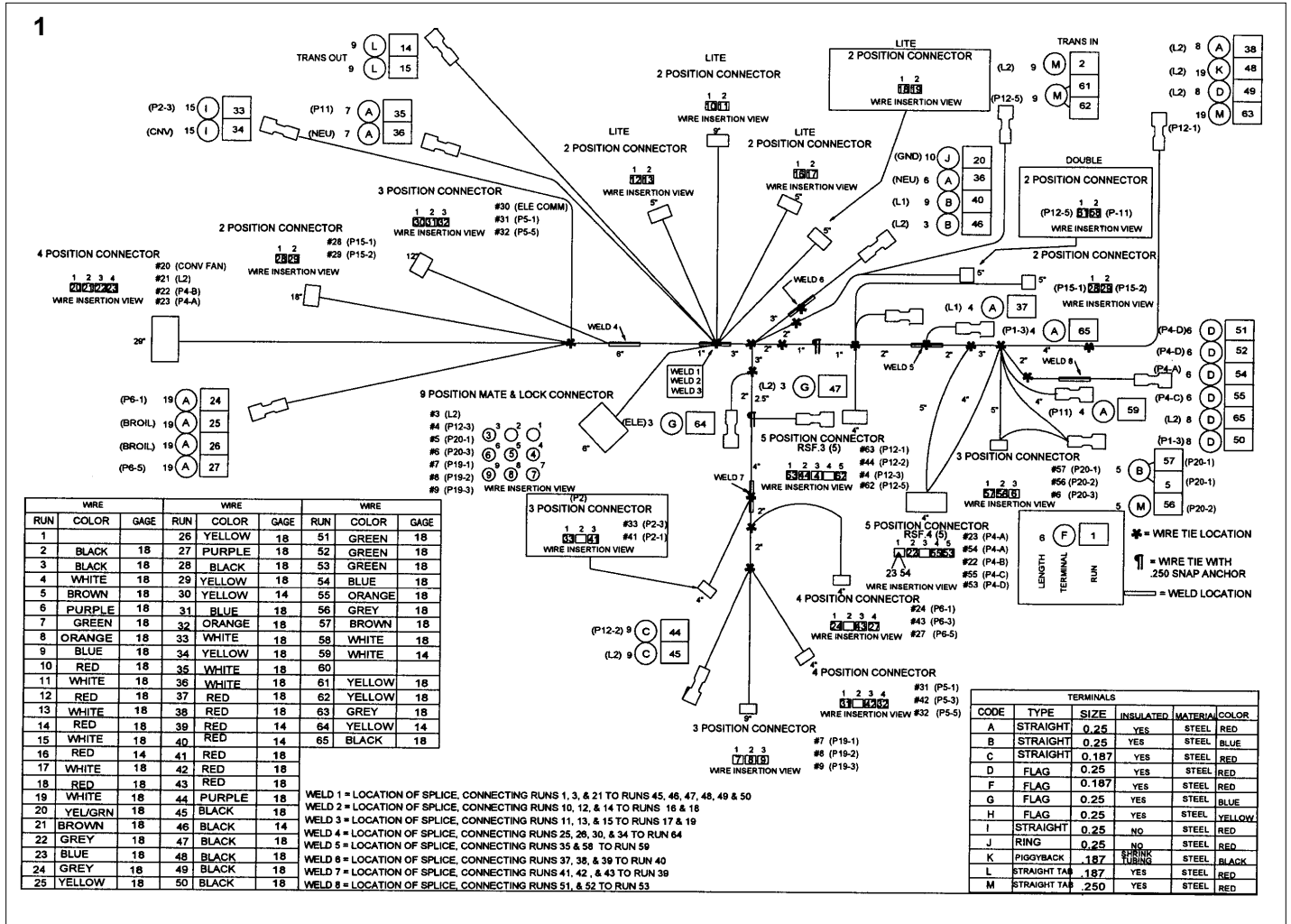
SIMPLE HARNESSES 2





| Item | Part No. | Name | Qty | Uom | NOTES |
|------|----------|---------------------|-----|-----|-------|
| 1 | PE070738 | T/STAT-SEL HARNESS | 1 | EA | |
| 2 | PE070733 | UPPER LATCH HARNESS | 1 | EA | |
| 3 | PE070734 | SINGLE OVEN HEADER | 1 | EA | |

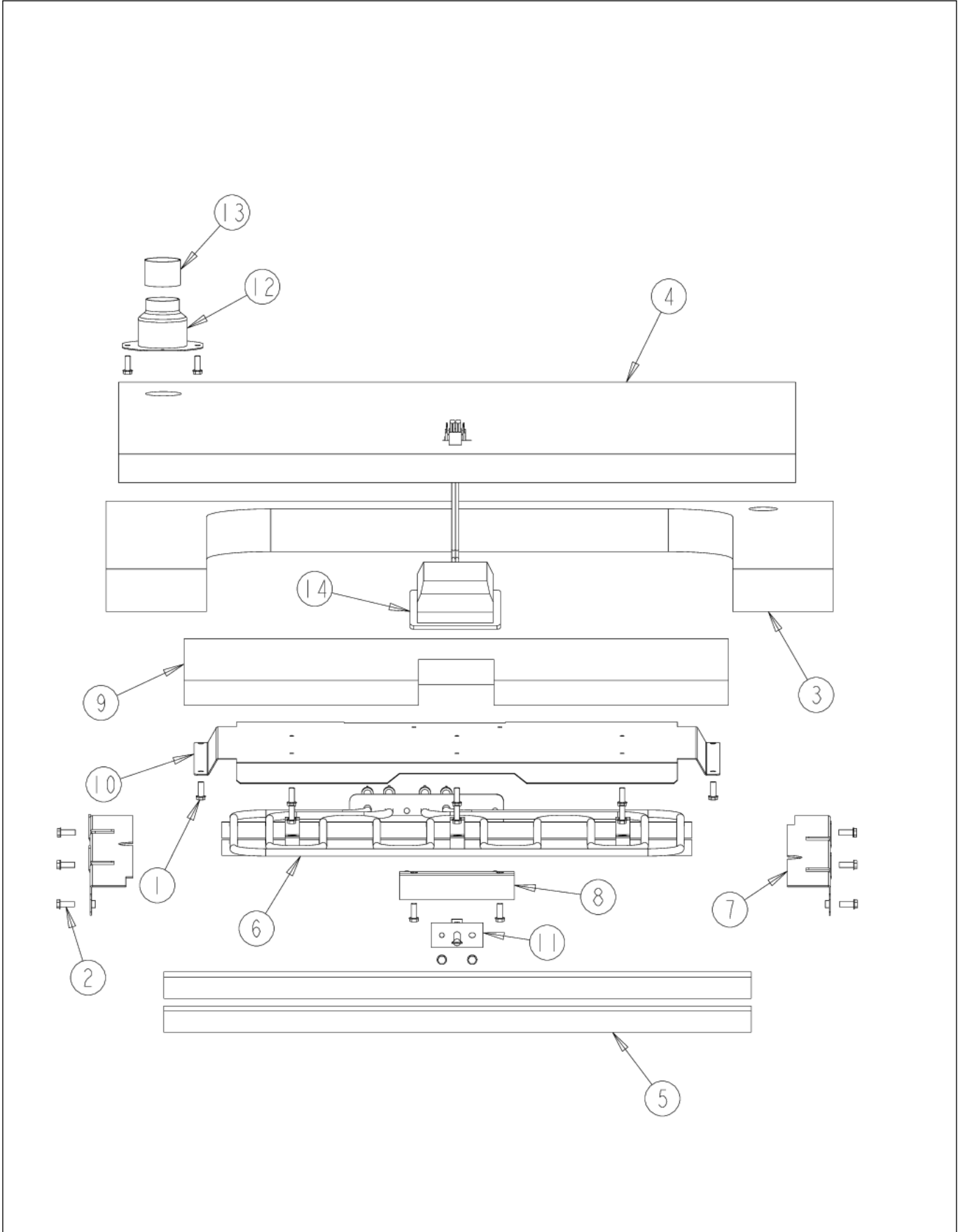
UPPER CONTROL HARNESS





| Item | Part No. | Name | Qty | Uom | NOTES |
|------|----------|-----------------------|-----|-----|-------|
| 1 | PE070742 | UPPER CONTROL HARNESS | 1 | EA | |

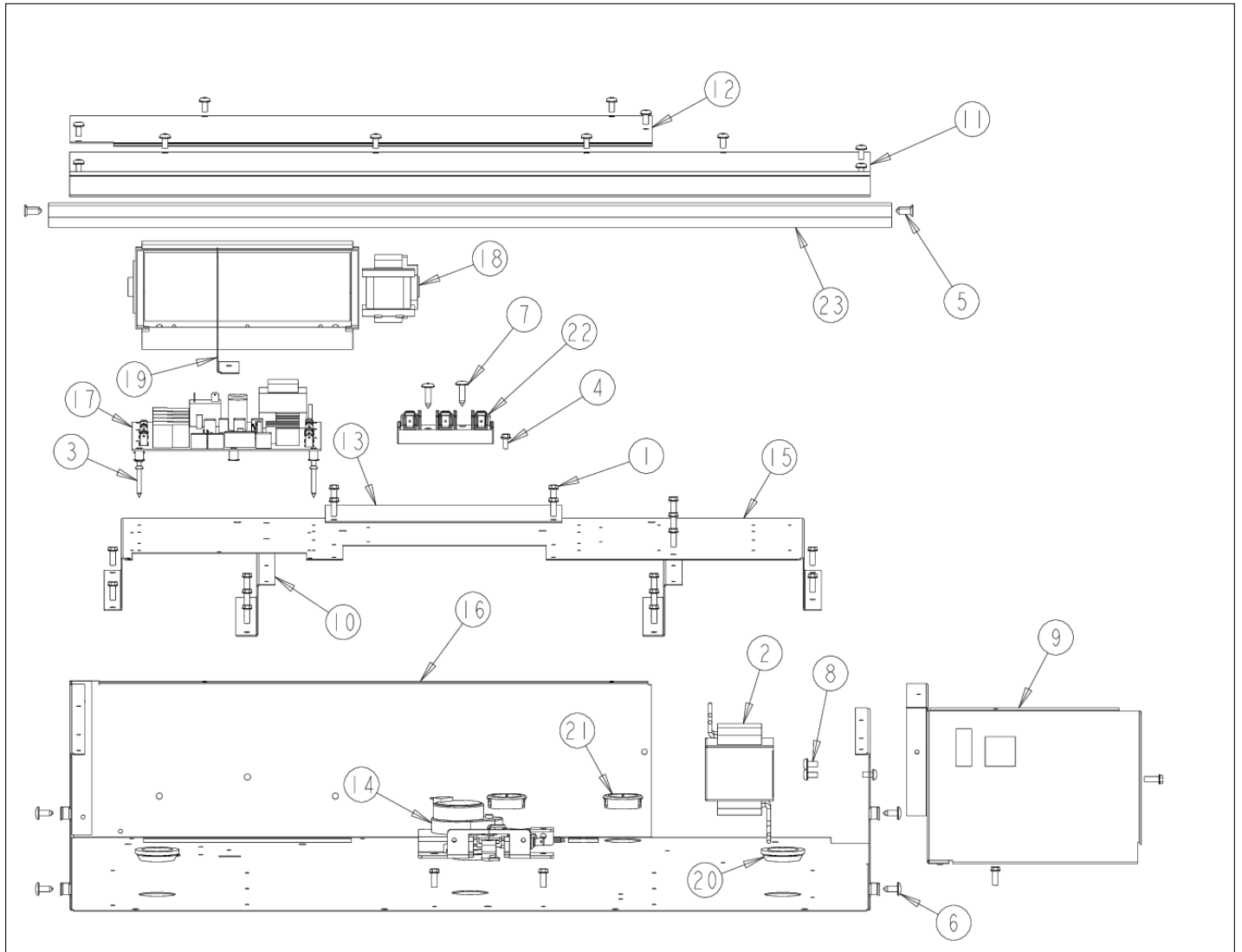
UPPER OVEN CAVITY AREA



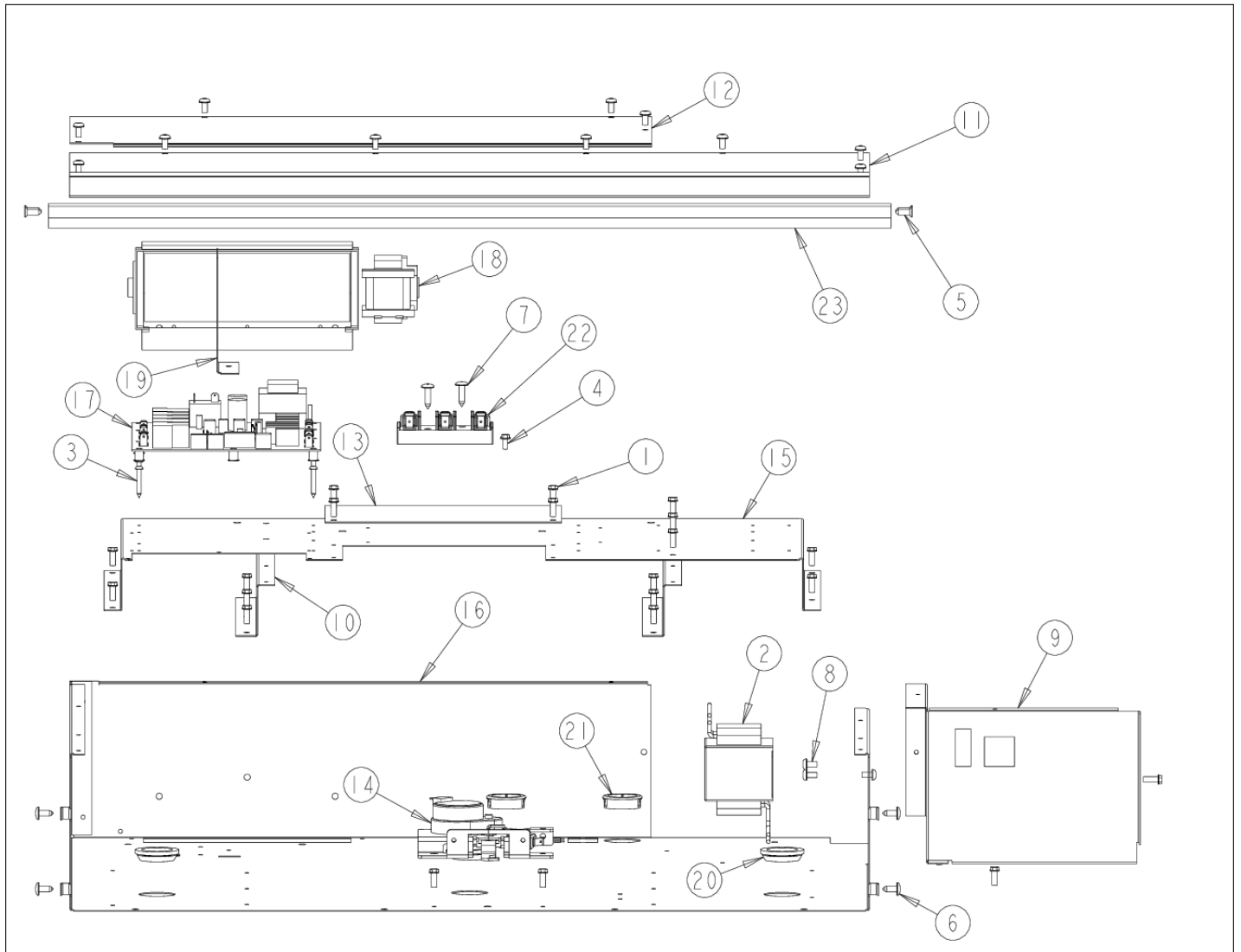


| Item | Part No. | Name | Qty | Uom | NOTES |
|--------------|------------|--------------------------------------|-----|-----|---|
| 1 | PD020055 | ' #10 X 1/2" PAN PHIL. TEK.*SS* | 1 | EA | |
| 2 | PD020060 | 10 X 1/2" (5/16)HEX WSHER HD.(T)A | 1 | EA | |
| 3 | PB070305 | Top Broil Insulation | 1 | EA | Not available online / Call for pricing and availability |
| 4 | PB070308 | Top Insulation | 1 | EA | |
| 5 | PB070269 | 30" WINDOW PACK INSULATION | 1 | EA | |
| 6 | PJ010049 | BROIL ELEMENT | 1 | EA | |
| 7 | A2009641 | BRKT, TOP WRAPPER | 1 | EA | |
| 8 | A20014044 | BROIL ELEMENT SHIELD | 1 | EA | |
| 9 | PB070337 | Liner Insulation | 1 | EA | |
| 10 | A20014021 | REFLECTOR, BROIL | 1 | EA | |
| 11 | PE050206 | RTD THERMOSTAT PROBE | 1 | EA | |
| 12 | PM010014 | SMOKE ELIMINATOR (VDSC) | 1 | EA | |
| 13 | PB020275 | VENT TUBE | 1 | EA | |
| 14 | PE050205 | Top Halogen Light | 1 | EA | |
| Not Shown | NOTE | (BEFORE C-0396) | | EA | |
| PE05023 9 | 020403-000 | LAMP, OVEN, 120V/40W | 1 | EA | |
| Not Shown | NOTE | (AFTER C-0396) | | EA | |

UPPER UNIT AREA AFTER 7-20-06

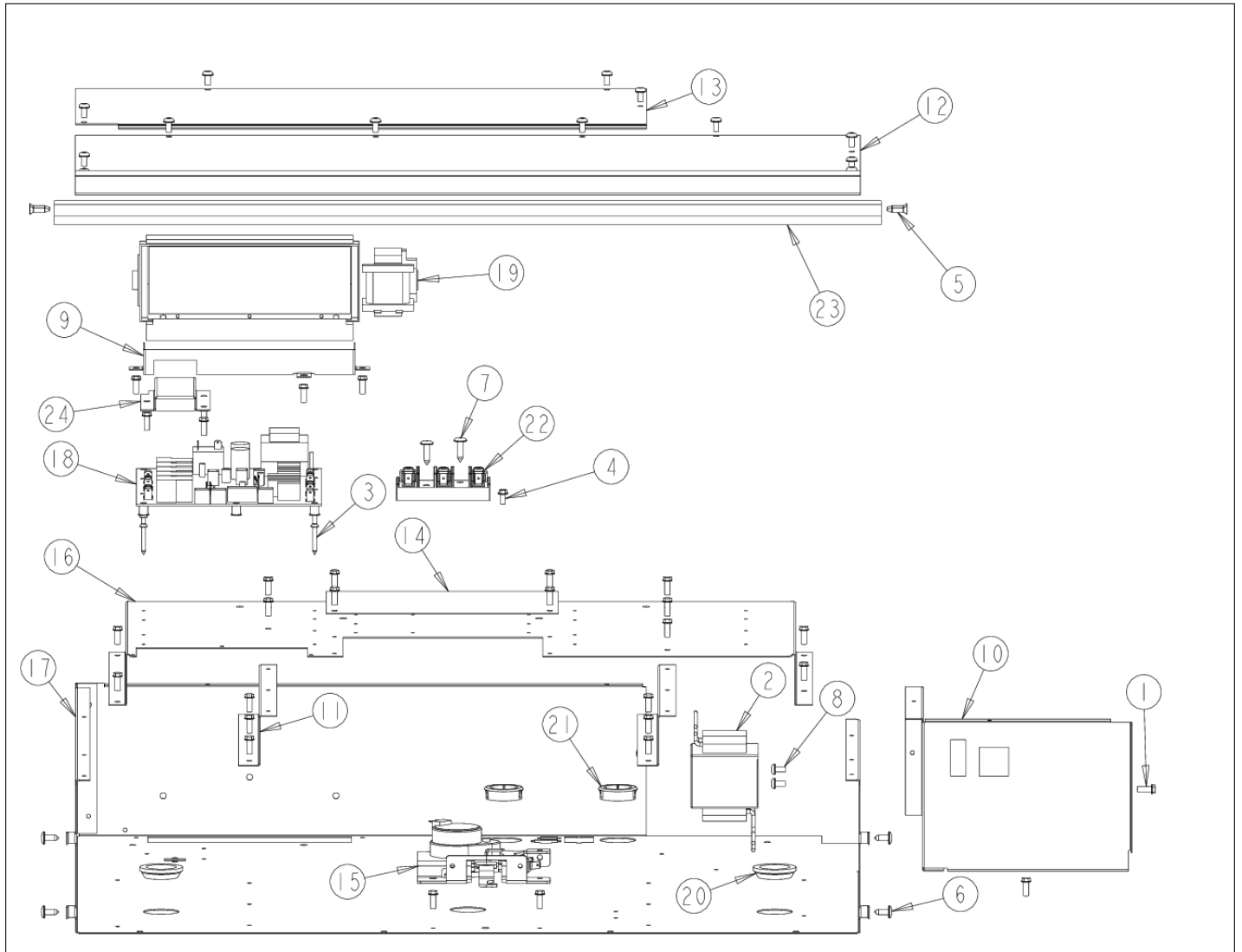


| Item | Part No. | Name | Qty | Uom | NOTES |
|-----------|------------|--|-----|-----|---|
| 1 | PD020060 | 10 X 1/2" (5/16)HEX WSHER HD.(T)A | 1 | EA | |
| 2 | PE070634 | HALOGEN LIGHT TRANSFORMER | 1 | EA | NO LONGER AVAILABLE |
| Not Shown | NOTE | (Used only on units before serial # C-0396) | | EA | |
| 3 | PD020185 | Screw, 6 X 1" Pan Head | 1 | EA | |
| 4 | PD020010 | 10 X 3/8 GREEN GROUNDING SCREW | 1 | EA | |
| 5 | PD020231 | #8 X 1/2" PH FLAT HEAD TEK SCREW (BLACK OXIDE) | 1 | EA | NO LONGER AVAILABLE, Not available online / Call for pricing and availability |
| 6 | PD020002 | 10 X 1/2 PH.TR.HD.SMS. | 1 | EA | |
| 7 | PD020014 | 10X3/4 PH TR HD SMS | 1 | EA | |
| 8 | PD020004 | 10X3/8PH.HD.TYPE 25 REPL PD040125 | 1 | EA | |
| 9 | A20010934 | BRACKET, MODULE PAN | 1 | EA | |
| 10 | A20010910 | Support Bracket, Electronics Hat | 1 | EA | Not available online / Call for pricing and availability |
| 11 | A20014048 | Front Cover | 1 | EA | NO LONGER AVAILABLE, Not available online / Call for pricing and availability |
| 12 | A20014049 | 30" REAR COVER | 1 | EA | |
| 13 | A10010911 | Latch Cover | 1 | EA | |
| 14 | 013250-000 | LATCH,DOOR,ASM,240V,GRID DLE LOCKOUT | 1 | EA | |
| 15 | A2009672 | Electronics Hat | 1 | EA | NO LONGER AVAILABLE, Not available online / Call for pricing and availability |
| 16 | A2009643 | Top Module Pan | 1 | EA | |
| 17 | 002406-000 | CONTROL BOARD | 1 | EA | |



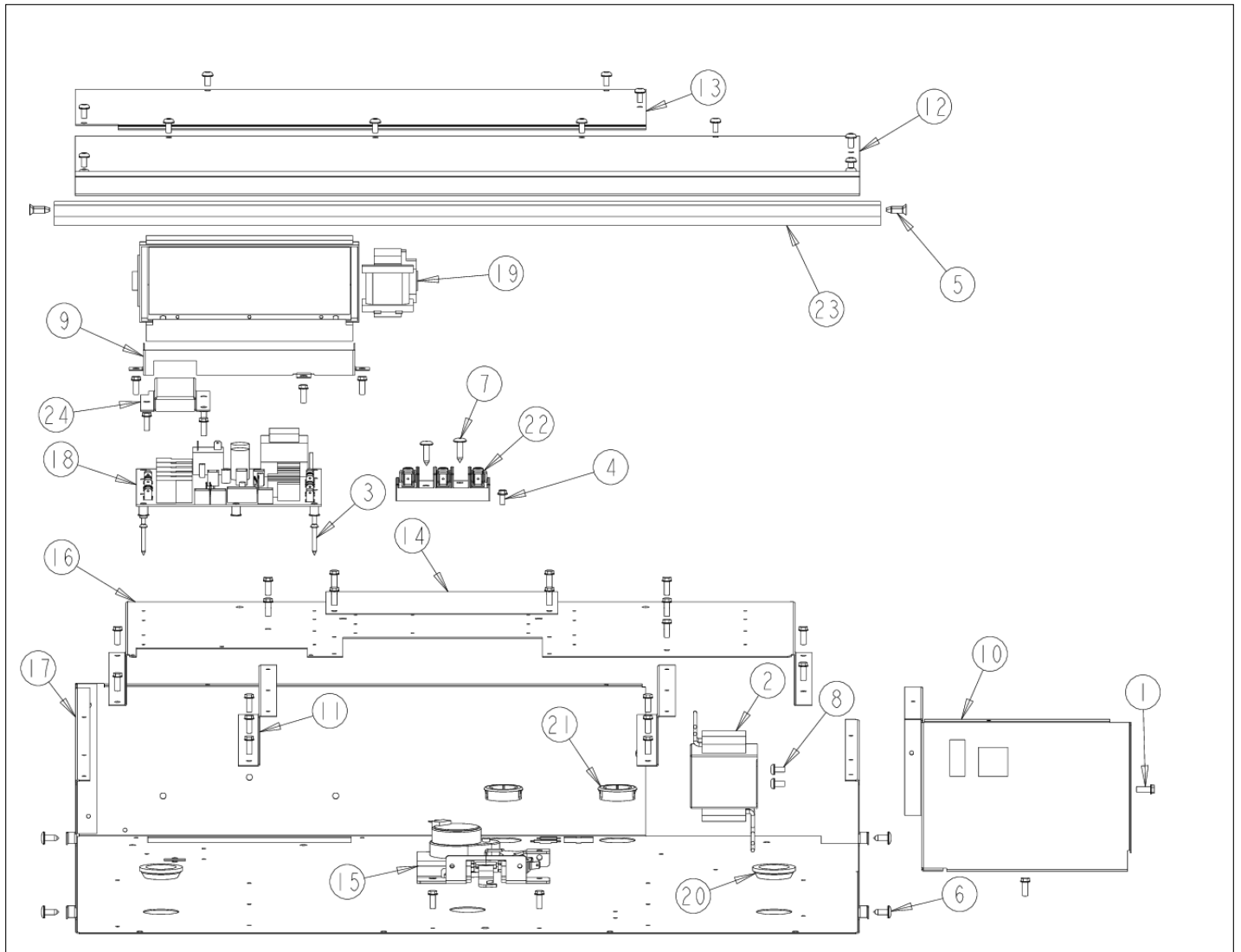
| Item | Part No. | Name | Qty | Uom | NOTES |
|--|----------|---------------------------|-----|-----|---------------------|
| Comments for Part Num. 002406-000 haarnink@vikingrange.com on Jun 18, 2015 For the international E Model numbers EVDSC5 we need to add the info that since First unit was EVDSC530S4B: 092314C10147281 any EVDSC built in 2014 went into production with EOC4. so here we need to add the part number 014000-000 EOC4 plus the SMPS part number 013999-000 | | | | | |
| 18 | PE050250 | Blower | 1 | EA | |
| Comments for Part Num. PE050250 highendappsvc@gmail.com on Jan 28, 2019 If you need to replace cooling fan for the model vgs5486gss serial date code 031412, do not order this fan, this fan is larger and configured wrong. The correct fan is 007794-000. it is smaller. | | | | | |
| 19 | A2009667 | REAR AIR DIVIDER | 1 | EA | |
| 20 | PB070079 | SILICONE EXTRUSION (DGSU) | 1 | EA | |
| 21 | PD040152 | SNAP BUSHING | 1 | EA | |
| 22 | PE070147 | TERMINAL BLOCK (VDSC) | 1 | EA | |
| 23 | PE040280 | 30" DES. TOP TRIM | 1 | EA | NO LONGER AVAILABLE |

UPPER UNIT AREA BEFORE 7-20-06





| Item | Part No. | Name | Qty | Uom | NOTES |
|---|------------|--------------------------------------|-----|-----|---|
| 1 | PD020060 | 10 X 1/2" (5/16)HEX WSHER HD.(T)A | 1 | EA | |
| 2 | PE070634 | HALOGEN LIGHT TRANSFORMER | 1 | EA | NO LONGER AVAILABLE |
| 3 | PD020185 | Screw, 6 X 1" Pan Head | 1 | EA | |
| 4 | PD020010 | 10 X 3/8 GREEN GROUNDING SCREW | 1 | EA | |
| 5 | PD020061 | ' #8 X 3/4 FLAT HD TEK. *SS* | 1 | EA | |
| 6 | PD020002 | 10 X 1/2 PH.TR.HD.SMS. | 1 | EA | |
| 7 | PD020014 | 10X3/4 PH TR HD SMS | 1 | EA | |
| 8 | PD020004 | 10X3/8PH.HD.TYPE 25 REPL PD040125 | 1 | EA | |
| 9 | A20014034 | 30" BLOWER BRACKET | 1 | EA | NO LONGER AVAILABLE |
| 10 | A20010934 | BRACKET, MODULE PAN | 1 | EA | |
| 11 | A20010910 | Support Bracket, Electronics Hat | 1 | EA | Not available online / Call for pricing and availability |
| 12 | A20014048 | Front Cover | 1 | EA | NO LONGER AVAILABLE, Not available online / Call for pricing and availability |
| 13 | A20014049 | 30" REAR COVER | 1 | EA | |
| 14 | A10010911 | Latch Cover | 1 | EA | |
| 15 | 013250-000 | LATCH,DOOR,ASM,240V,GRID DLE LOCKOUT | 1 | EA | |
| 16 | A2009672 | Electronics Hat | 1 | EA | NO LONGER AVAILABLE, Not available online / Call for pricing and availability |
| 17 | A2009643 | Top Module Pan | 1 | EA | |
| 18 | 002406-000 | CONTROL BOARD | 1 | EA | |
| <p>Comments for Part Num. 002406-000</p> <p>haarnink@vikingrange.com on Jun 18, 2015</p> <p>For the international E Model numbers EVDSC5 we need to add the info that since First unit was EVDSC530S4B: 092314C10147281 any EVDSC built in 2014 went into production with EOC4. so here we need to add the part number 014000-000 EOC4 plus the SMPS part number 013999-000</p> | | | | | |
| 19 | PE050250 | Blower | 1 | EA | |



| Item | Part No. | Name | Qty | Uom | NOTES |
|---|-----------|---------------------------|-----|-----|---|
| Comments for Part Num. PE050250 highendappsvc@gmail.com on Jan 28, 2019 If you need to replace cooling fan for the model vgsc5486gss serial date code 031412, do not order this fan, this fan is larger and configured wrong. The correct fan is 007794-000. it is smaller. | | | | | |
| 20 | PB070079 | SILICONE EXTRUSION (DGSU) | 1 | EA | |
| 21 | PD040152 | SNAP BUSHING | 1 | EA | |
| 22 | PE070147 | TERMINAL BLOCK (VDSC) | 1 | EA | |
| 23 | PE040280 | 30" DES. TOP TRIM | 1 | EA | NO LONGER AVAILABLE |
| 24 | A20014033 | UPPER VENT COVER | 1 | EA | NO LONGER AVAILABLE, Not available online / Call for pricing and availability |



Appendix A:Pages Index

CONTROL AREA 1
DOOR ASSEMBLY 2
LOWER UNIT 3
OVEN EXTERIOR 4
OVEN INTERIOR 5
REAR UNIT AREA 6
SIMPLE HARNESS 1 7
SIMPLE HARNESSES 2 8
UPPER CONTROL HARNESS 9
UPPER OVEN CAVITY AREA 10
UPPER UNIT AREA AFTER 7-20-06 11
UPPER UNIT AREA BEFORE 7-20-06 12



Appendix B:Parts Index

| | | | |
|------------|--------|---------------|--------|
| 000594-000 | 2 | A2009643 | 11, 12 |
| 001097-000 | 5 | A2009666 | 6 |
| 001451-000 | 2 | A2009667 | 11 |
| 001451-002 | 2 | A2009671 | 6 |
| 001451-003 | 2 | A2009672 | 11, 12 |
| 001451-004 | 2 | A2009696 | 3 |
| 001451-005 | 2 | A2009697 | 6 |
| 001451-006 | 2 | A21010918 | 6 |
| 001497-000 | 2 | A21010919 | 6 |
| 002406-000 | 11, 12 | B21010915 | 3 |
| 013250-000 | 11, 12 | B21010916 | 3 |
| 017736-000 | 2 | B92012624 | 1 |
| 020403-000 | 10 | C90014072BK | 1 |
| 023797-000 | 2 | C9009676BK | 3 |
| 036047-000 | 1 | C92012624BK | 1 |
| A10010907 | 6 | C92012624BT | 1 |
| A10010911 | 11, 12 | C92012624GG | 1 |
| A10014028 | 1 | C92012624SG | 1 |
| A10014045 | 1 | C92012624WH | 1 |
| A20010910 | 11, 12 | E91012614 | 4, 5 |
| A20010934 | 11, 12 | E91014053 | 4 |
| A20012619 | 1 | E9107933 | 5 |
| A20012638 | 1 | E9107934 | 5 |
| A20012640 | 2 | E9109655 | 3 |
| A20012641 | 2 | G3009694 | 3 |
| A20012649 | 1 | G32012750BK | 2 |
| A20012650 | 4 | G32012750BKBR | 2 |
| A20014021 | 10 | G32012750BT | 2 |
| A20014033 | 12 | G32012750BTBR | 2 |
| A20014034 | 12 | G32012750GG | 2 |
| A20014044 | 10 | G32012750GGBR | 2 |
| A20014048 | 11, 12 | G32012750SG | 2 |
| A20014049 | 11, 12 | G32012750SGBR | 2 |
| A20014052 | 6 | G32012750SS | 2 |
| A2009612 | 3 | G32012750SSBR | 2 |
| A2009620 | 6 | G32012750WH | 2 |
| A2009622 | 4 | G32012750WHBR | 2 |
| A2009632 | 2 | G32014020 | 5 |
| A2009640 | 6 | G40015469 | 1 |
| A2009641 | 10 | G4005494 | 7 |
| | | G4005496 | 7 |



| | | | |
|-------------|-----------------|-------------|---------------------------|
| G4005497 | 7 | PD020006 | 1 |
| G4005499 | 7 | PD020010 | 11, 12 |
| G50015486 | 1 | PD020013 | 1 |
| G91013598 | 5 | PD020014 | 4, 11, 12 |
| G91014039 | 4 | PD020032 | 2 |
| G9109625 | 2 | PD020055 | 5, 10 |
| PA010093 | 1 | PD020060 | 1, 3, 4, 5, 6, 10, 11, 12 |
| PA010093PVD | 1 | PD020061 | 3, 12 |
| PA010194 | 1 | PD020062 | 3 |
| PA010194PVD | 1 | PD020063 | 2, 3, 4, 5 |
| PA010195 | 1 | PD020185 | 11, 12 |
| PA010195PVD | 1 | PD020186 | 2 |
| PB010314 | 1 | PD020231 | 11 |
| PB010314PVD | 1 | PD020232 | 5 |
| PB010315 | 1 | PD020261 | 1 |
| PB020071 | 6 | PD030172 | 1 |
| PB020275 | 10 | PD040004 | 1 |
| PB040070 | 6 | PD040152 | 11, 12 |
| PB060103 | 5 | PD040160 | 1 |
| PB060104 | 5 | PD040164 | 1 |
| PB060107 | 5 | PE030167 | 2 |
| PB070079 | 11, 12 | PE030167PVD | 2 |
| PB070246 | 2 | PE040280 | 11, 12 |
| PB070269 | 3, 10 | PE040281 | 4 |
| PB070271 | 4 | PE040282 | 4 |
| PB070272 | 4 | PE040285 | 2 |
| PB070302 | 4 | PE050078 | 1 |
| PB070303 | 3 | PE050205 | 10 |
| PB070304 | 6 | PE050206 | 10 |
| PB070305 | 10 | PE050208 | 1 |
| PB070308 | 10 | PE050214 | 1 |
| PB070309 | 3 | PE050250 | 11, 12 |
| PB070312 | 5 | PE060094 | 2 |
| PB070336 | 2 | PE070147 | 11, 12 |
| PB070337 | 10 | PE070634 | 11, 12 |
| PC020221 | 3 | PE070733 | 8 |
| PC020247 | 3 | PE070734 | 8 |
| PC050002 | 2 | PE070738 | 8 |
| PD010003 | 1 | PE070739 | 7 |
| PD020002 | 2, 3, 4, 11, 12 | PE070742 | 9 |
| PD020004 | 1, 2, 11, 12 | PE070743 | 7 |



| | |
|----------------|----|
| PE070754 | 7 |
| PJ010047 | 5 |
| PJ010048 | 3 |
| PJ010049 | 10 |
| PJ030033 | 1 |
| PJ030035 | 1 |
| PJ030043 | 1 |
| PM010014 | 10 |