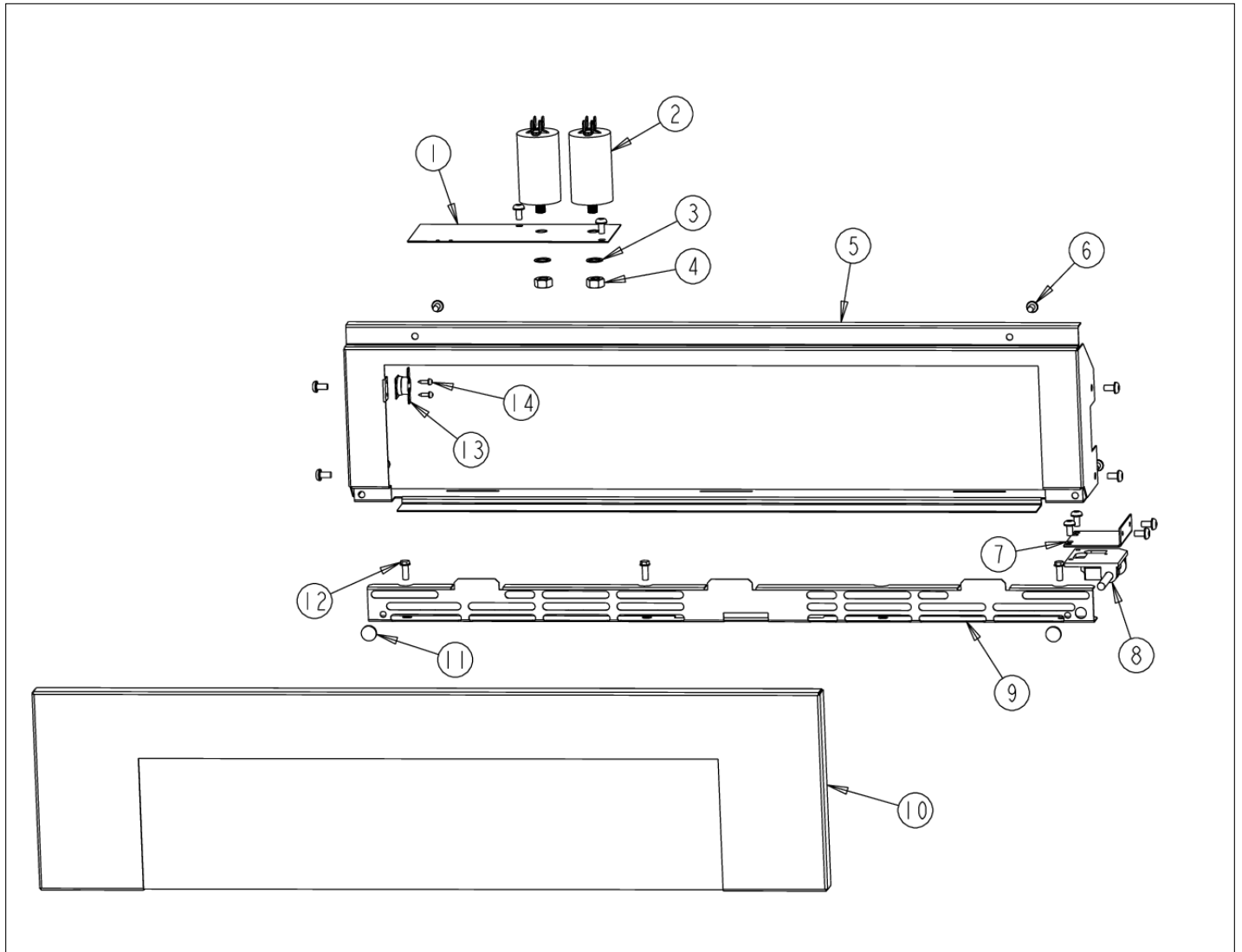


DESO127T

CONTROL AREA	1
DOOR ASSEMBLY	2
EXTERIOR OVEN CAVITY AREA	3
INTERIOR OVEN CAVITY	4
LOWER UNIT AREA	5
REAR UNIT AREA	6
UPPER OVEN CAVITY	7
UPPER UNIT AREA	8
WIRING	9
Appendix A:Pages Index	A
Appendix B:Parts Index	B

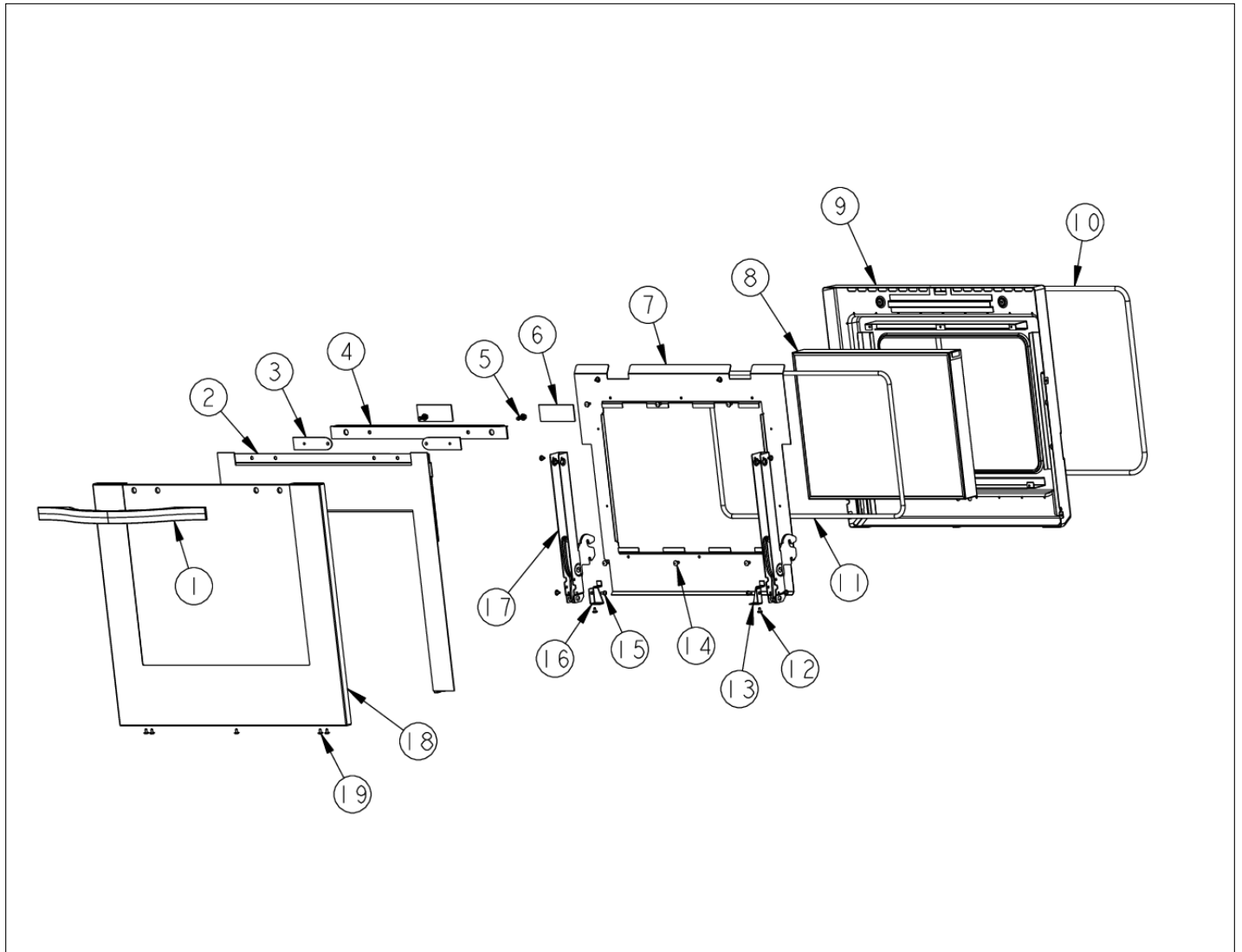
CONTROL AREA





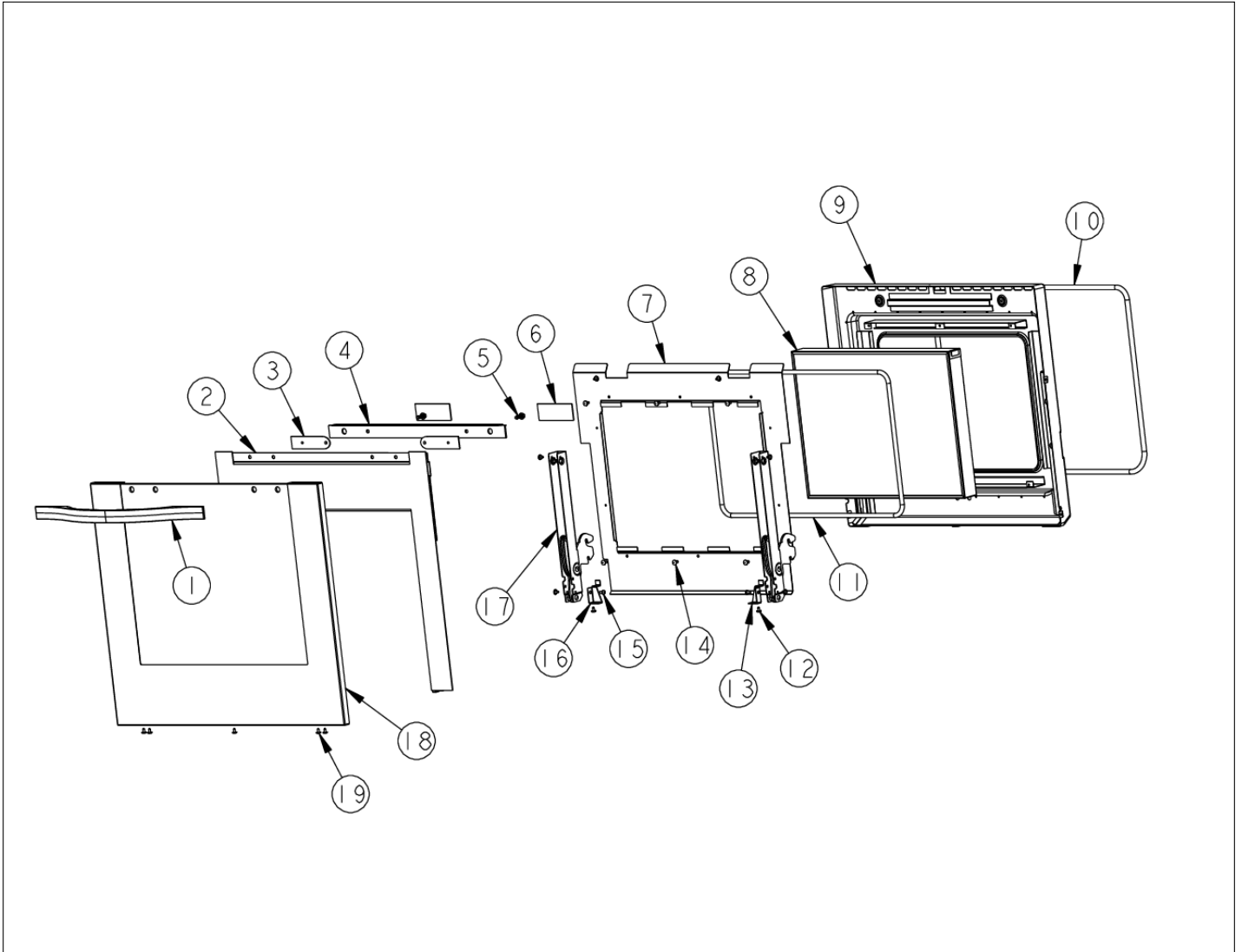
Item	Part No.	Name	Qty	Uom	NOTES
1	A10014028	2 CAPACITOR BRACKET		EA	
<p>Comments for Part Num. A10014028</p> <p>service@priorityappliance.com on Jan 17, 2019</p> <p>The capacitors are part # 036047-000, found by looking up a VEDO130. Confirmed - they're the same capacitor.</p>					
2	036047-000	CAPACITOR, CONV MOTOR, INTL		EA	
3	PD040164	5/16 INTERNAL TOOTH LOCK WASHER TYPE A		EA	
4	PD030172	M8 X 1.25MM NUT		EA	
5	A20014023	TOUCH CONTROL MTG. PNL. 27"		EA	NO LONGER AVAILABLE, Not available online / Call for pricing and availability
6	PD020004	10X3/8PH.HD.TYPE 25 REPL PD040125		EA	
7	A20012649	DOOR SWITCH BRACKET		EA	
8	PE050208	DOOR SWITCH		EA	
9	C90014073BK	Inlet Grille - BK		EA	
10	PE070648	TOUCH CONTROL SINGLE SELECT - NLA		EA	
11	PD040004	GROMMET BUMPER		EA	
12	PD020060	10 X 1/2" (5/16)HEX WSHER HD.(T)A		EA	
13	PJ030043	Bi Metal Thermostat - 150 Degrees		EA	
14	PD020013	TYPE "AB" #6 X 3/8 PH PAN HD. SMS		EA	

DOOR ASSEMBLY

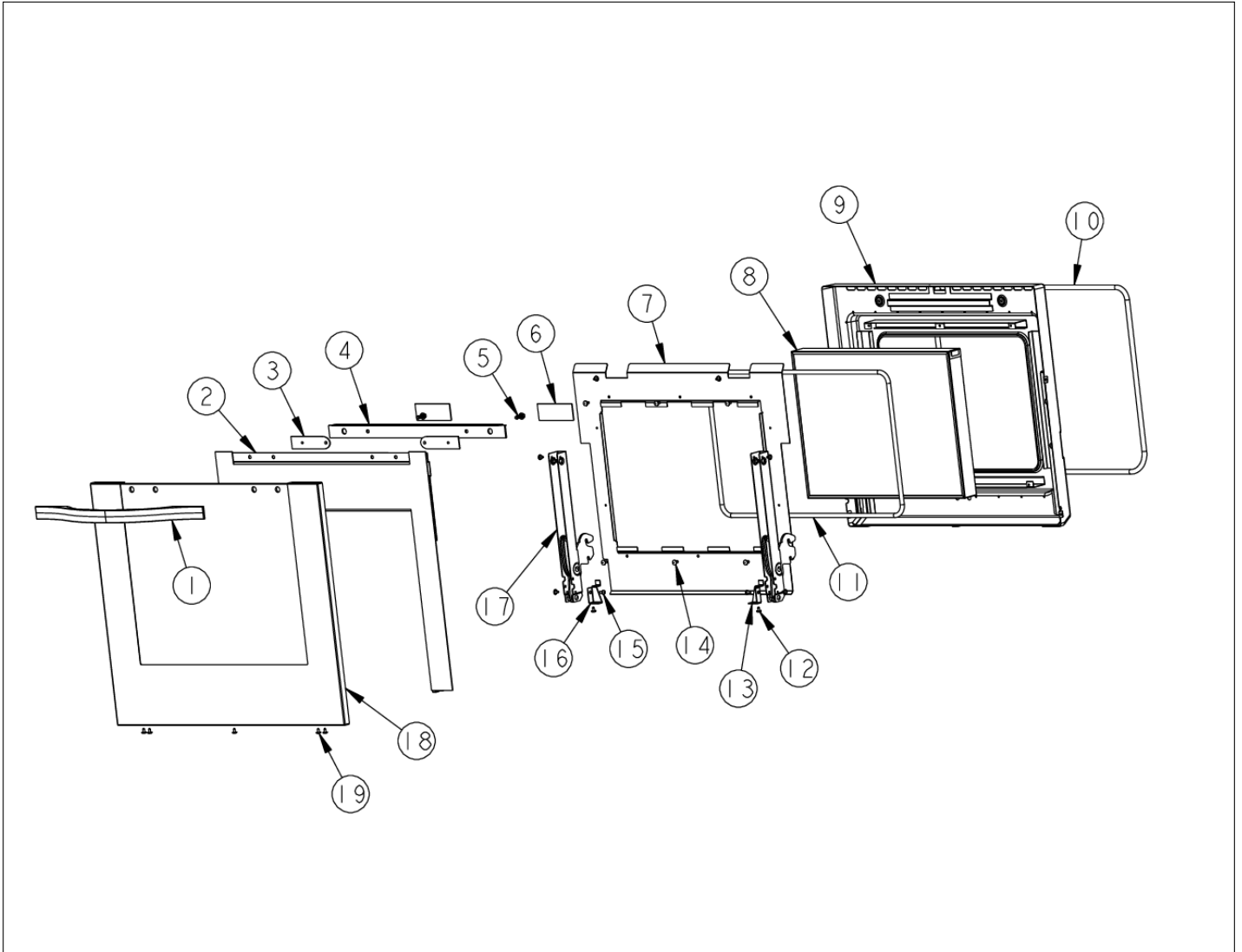




Item	Part No.	Name	Qty	Uom	NOTES
1	PE030167	30" DOOR HANDLE	1	EA	
1	PE030167PVD	30" DOOR HANDLE PVD	1	EA	NO LONGER AVAILABLE
2	001498-000	Designer 27" Insulation Retainer Kit	1	EA	
3	PC050002	DESIGNER DOOR HANDLE SPACER	1	EA	
4	PE040285	DESIGNER DOOR TRIM	1	EA	Not available online / Call for pricing and availability
5	PD020186	1/4"-20 X 3/4" HEX WASHER HEAD MS	1	EA	Not available online / Call for pricing and availability
6	PB070336	Door Bracket Insulation	1	EA	
7	A20010949	PANEL, INSULATION, INNNER DOOR	1	EA	
8	PE060093	27" WINDOW PACK	1	EA	
9	G91010942	DOOR LINER PORC.	1	EA	
<p>Comments for Part Num. G91010942</p> <p>gboltz@VikingRange.com on Jun 7, 2016</p> <p>Correct part number is G91019042BK</p>					
10	PB070245	27" DOOR GASKET	1	EA	
11	000594-000	BLACK FIBERGLASS ROPE 3/8	1	EA	
12	PD020063	SCREW-#8(A) X 3/8"PH WFR HD/BK OXID	1	EA	
13	A20012640	HINGE SUPPORT RH	1	EA	
14	PD020002	10 X 1/2 PH.TR.HD.SMS.	1	EA	
15	PD020004	10X3/8PH.HD.TYPE 25 REPL PD040125	1	EA	
16	A20012641	HINGE SUPPORT LH	1	EA	
17	006071-000	DOOR HINGE	1	EA	
18	001453-002	27 in Des. Door Skin Kit w/Logo - BK - NLA	1	EA	NO LONGER AVAILABLE
18	001453-003	27 in Des. Door Skin Kit w/Logo - BT - NLA	1	EA	NO LONGER AVAILABLE



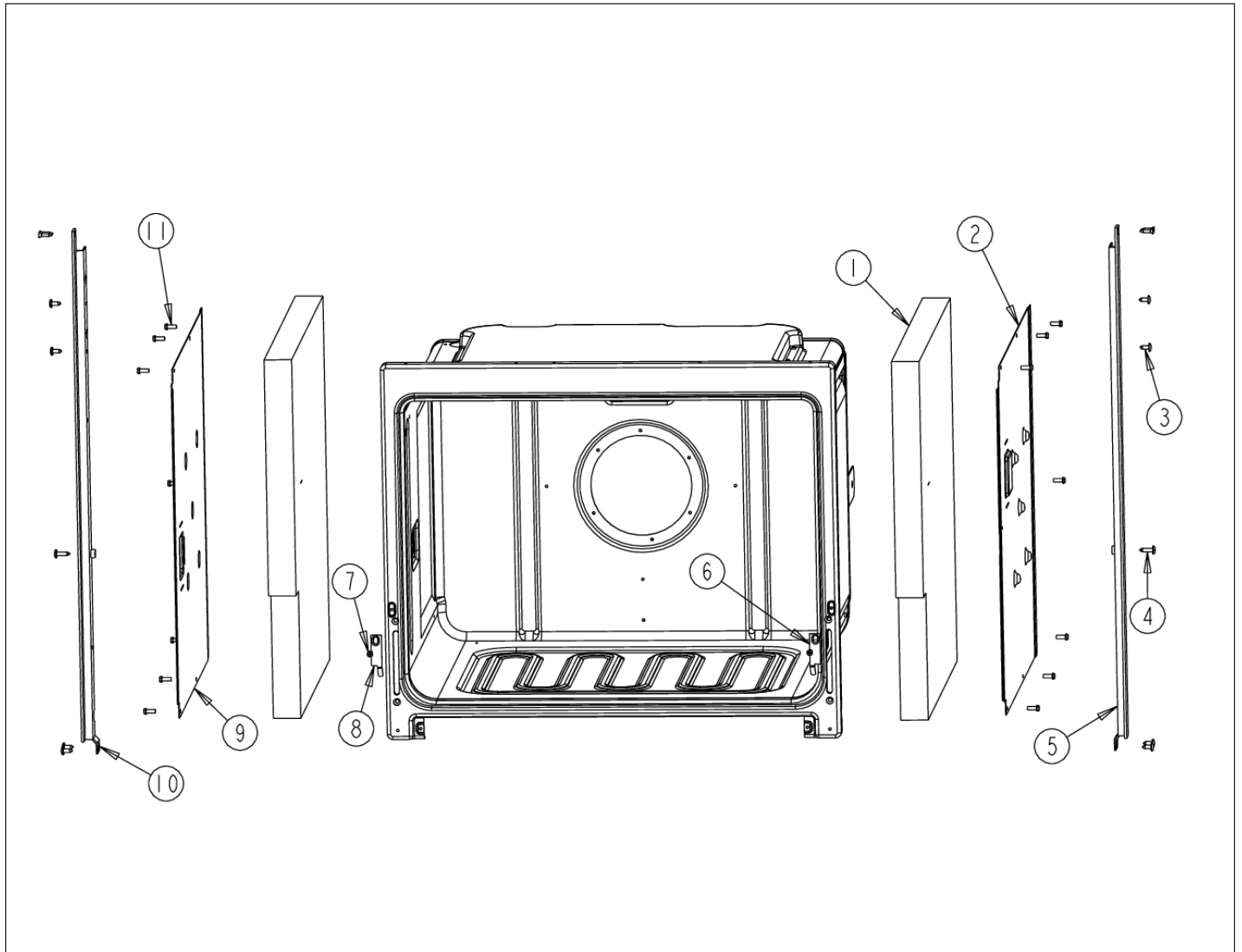
Item	Part No.	Name	Qty	Uom	NOTES
18	001453-005	27 in Des. Door Skin Kit w/Logo - GG	1	EA	NO LONGER AVAILABLE, Not available online / Call for pricing and availability
18	001453-004	27 in Des. Door Skin Kit w/Logo - SG - NLA	1	EA	NO LONGER AVAILABLE
18	001453-000	27 in Des. Door Skin Kit w/Logo - SS - NLA	1	EA	
18	001453-006	27 in Des. Door Skin Kit w/Logo - WH	1	EA	NO LONGER AVAILABLE
19	PD020032	SRW-8(A)X3/8"PH.WFR HD 7/16DIA*NICL	1	EA	
NI	G32012811BK	27" DOOR ASSY W/LOGO *BK*	1	EA	NO LONGER AVAILABLE, Not available online / Call for pricing and availability
NI	G32012811BKBR	27" DOOR ASSY W/LOGO *BKBR*	1	EA	NO LONGER AVAILABLE, Not available online / Call for pricing and availability
NI	G32012811BT	27" DOOR ASSY W/LOGO *BT*	1	EA	NO LONGER AVAILABLE, Not available online / Call for pricing and availability
NI	G32012811BTBR	27" DOOR ASSY W/LOGO *BTBR*	1	EA	NO LONGER AVAILABLE, Not available online / Call for pricing and availability
NI	G32012811GG	27" DOOR ASSY W/LOGO *GG*	1	EA	NO LONGER AVAILABLE, Not available online / Call for pricing and availability
NI	G32012811GGBR	27" DOOR ASSY W/LOGO *GGBR*	1	EA	NO LONGER AVAILABLE, Not available online / Call for pricing and availability
NI	G32012811SG	27" DOOR ASSY W/LOGO *SG*	1	EA	NO LONGER AVAILABLE, Not available online / Call for pricing and availability
NI	G32012811SGBR	27" DOOR ASSY W/LOGO *SGBR*	1	EA	NO LONGER AVAILABLE, Not available online / Call for pricing and availability





Item	Part No.	Name	Qty	Uom	NOTES
NI	G32012811SS	27" DOOR ASSY W/LOGO	1	EA	
NI	G32012811SSBR	COMPLETE DOOR ASSEMBLY - SSBR	1	EA	
NI	G32012811WH	27" DOOR ASSY W/LOGO *WH*	1	EA	NO LONGER AVAILABLE, Not available online / Call for pricing and availability
NI	G32012811WHBR	27" DOOR ASSY W/LOGO *WHBR*	1	EA	NO LONGER AVAILABLE, Not available online / Call for pricing and availability
NI	017736-000	WINDOW PACK INSULATION KIT	1	EA	

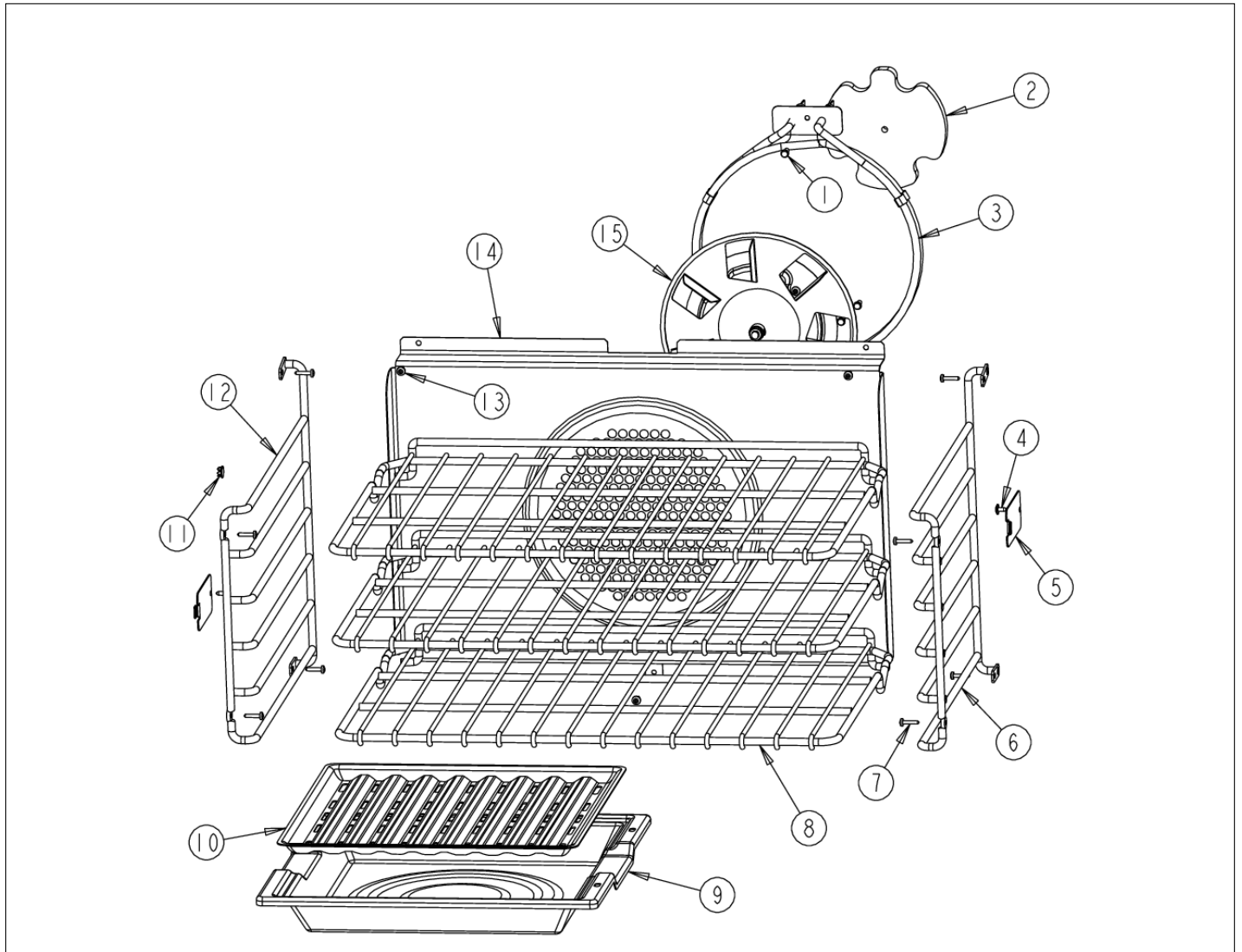
EXTERIOR OVEN CAVITY AREA





Item	Part No.	Name	Qty	Uom	NOTES
1	PB070302	SIDE INSULATION	1	EA	
2	A2009622	BRKT, TOP WRAPPER, RIGHT	1	EA	Not available online / Call for pricing and availability
3	PD020002	10 X 1/2 PH.TR.HD.SMS.	1	EA	
4	PD020014	10X3/4 PH TR HD SMS	1	EA	
5	PE040281	DES. SINGLE SIDE TRIM RH	1	EA	NO LONGER AVAILABLE
6	B21010915	HINGE CLIP - RH	1	EA	
7	PD020061	' #8 X 3/4 FLAT HD TEK. *SS*	1	EA	
8	B21010916	HINGE CLIP - LH	1	EA	
9	A20012650	BRKT, TOP WRAPPER LEFT	1	EA	Not available online / Call for pricing and availability
10	PE040282	DES. SINGLE SIDE TRIM LH	1	EA	NO LONGER AVAILABLE
11	PD020060	10 X 1/2" (5/16)HEX WSHER HD.(T)A	1	EA	

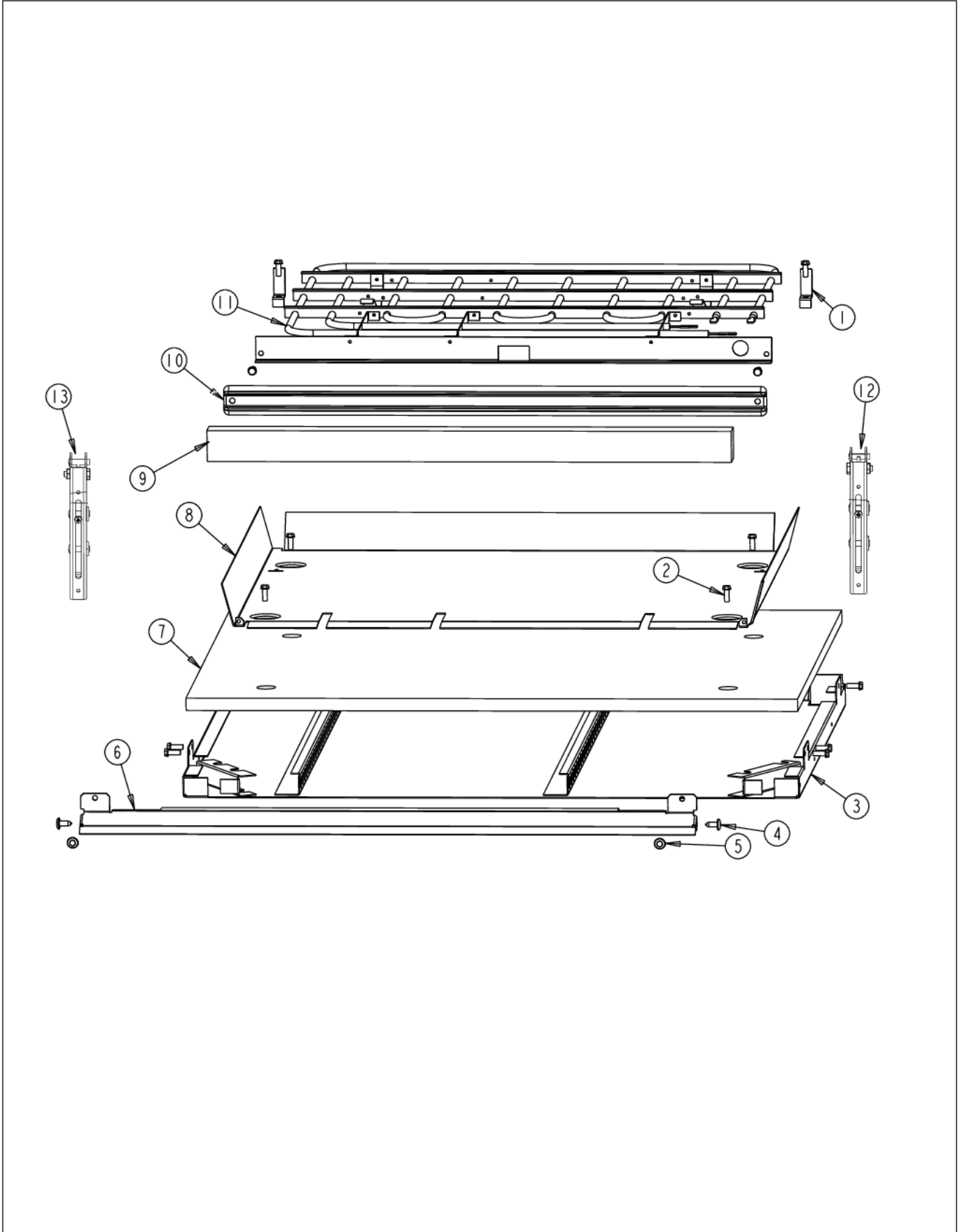
INTERIOR OVEN CAVITY





Item	Part No.	Name	Qty	Uom	NOTES
1	PD020060	10 X 1/2" (5/16)HEX WSHER HD.(T)A	1	EA	
2	PB070312	CONVECTION MOTOR MTG. PLATE INSULATION	1	EA	
3	PJ010047	CONVECTION ELEMENT	1	EA	
4	PD020063	SCREW-#8(A) X 3/8"PH WFR HD/BK OXID	1	EA	
5	E91012614	LIGHT HOLE COVER	1	EA	
6	PB060103	RACK SUPPORT RH	1	EA	
7	PD020232	#8 X 3/4" PH PAN HEAD TEK SCREW (BLACK OXIDE)	1	EA	
8	041045-000	RACK, DF, PRO, 27"	1	EA	
9	E9107933	BROILER PAN	1	EA	
10	E9107934	BROILER PAN INSERT - NLA	1	EA	
11	E91014053	PORCELAIN 25/64" HOLE PLUG	1	EA	Not available online / Call for pricing and availability
12	PB060104	RACK SUPPORT LH	1	EA	
13	PD020055	' #10 X 1/2" PAN PHIL. TEK.*SS*	1	EA	
14	G91013597	27" BAFFLE ASSEMBLY	1	EA	
15	G32014020	CONVECTION FAN ASSY	1	EA	

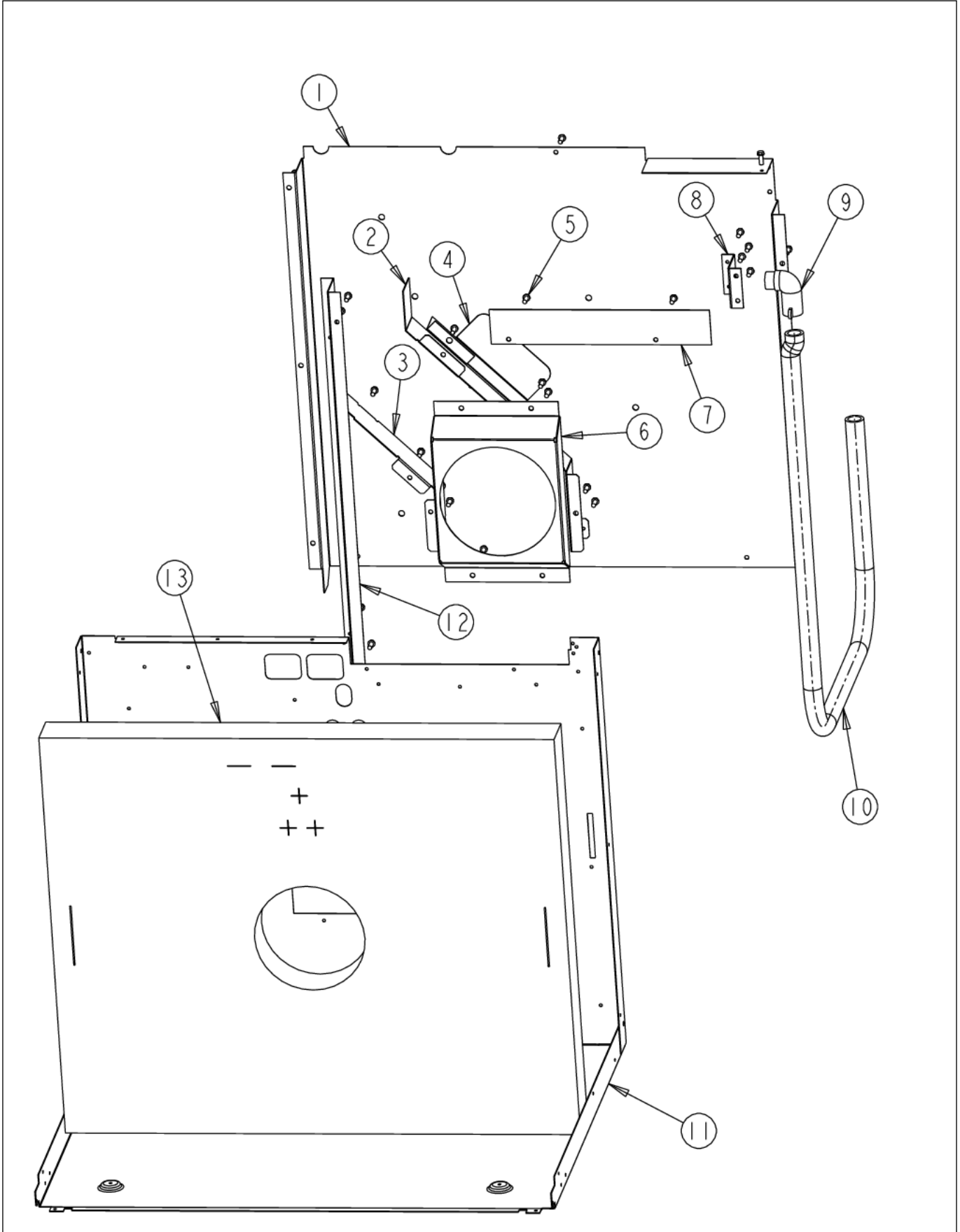
LOWER UNIT AREA





Item	Part No.	Name	Qty	Uom	NOTES
1	A2009696	HOLDER, BAKE ELEMENT	1	EA	
2	PD020060	10 X 1/2" (5/16)HEX WSHER HD.(T)A	1	EA	
3	G30010922	BASE MODULE ASSY 27"	1	EA	
4	PD020002	10 X 1/2 PH.TR.HD.SMS.	1	EA	
5	PD020063	SCREW-#8(A) X 3/8"PH WFR HD/BK OXID	1	EA	
6	C90012822BK	BOTTOM AIR DEFLECTOR 27"	1	EA	
7	PB070300	27" BOTTOM INSULATION	1	EA	NO LONGER AVAILABLE, Not available online / Call for pricing and availability
8	A20010932	ELEMENT, MTG TRAY	1	EA	NO LONGER AVAILABLE
9	PB070309	BAKE ELEMENT INSULATION	1	EA	
10	E9109655	COVER, BAKE TRAY	1	EA	
11	PJ010048	BAKE ELEMENT	1	EA	
12	PC020247	HINGE POCKET RECEIVER MANSFIELD LH	1	EA	
13	PC020221	HINGE POCKET RECEIVER MANSFIELD RH	1	EA	

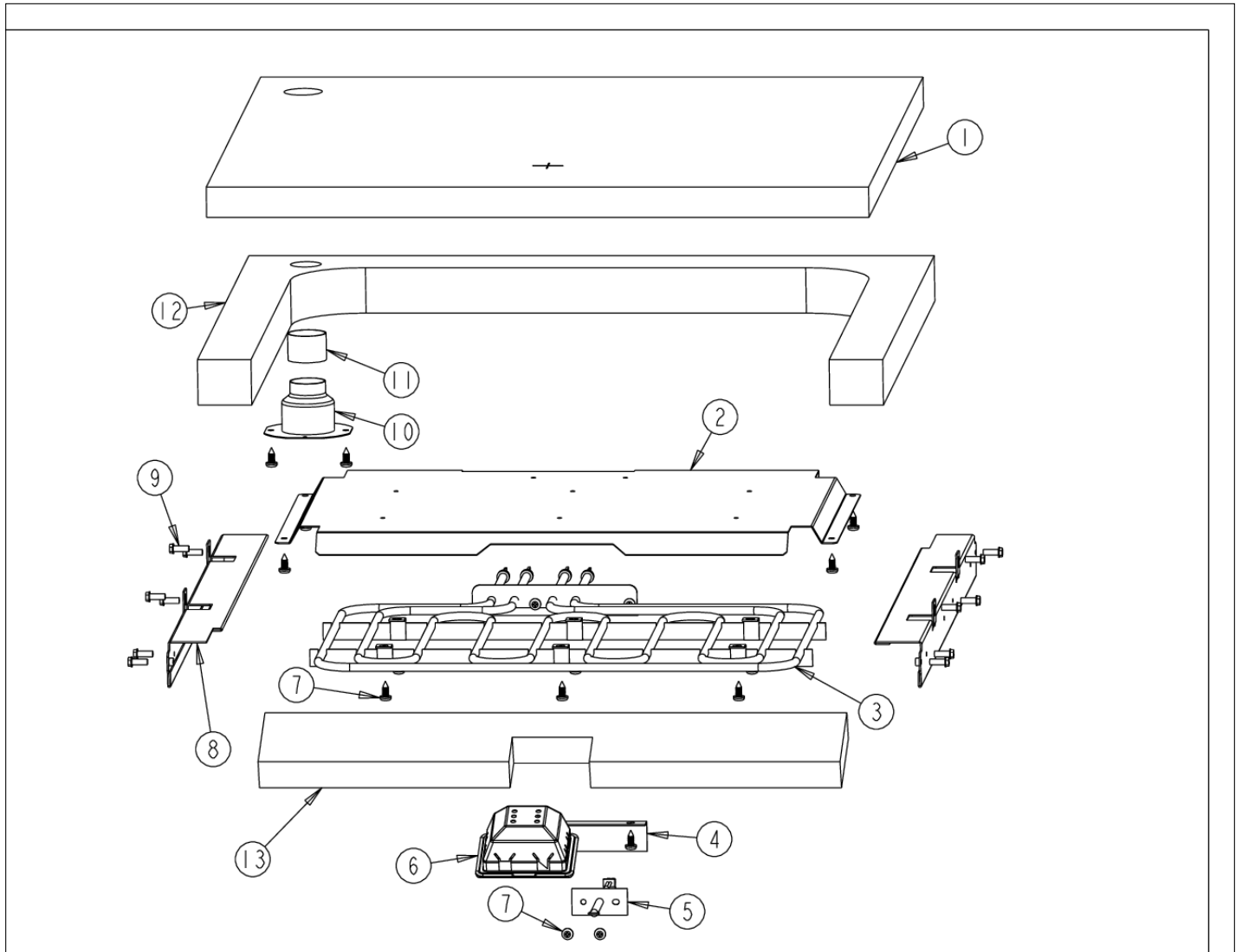
REAR UNIT AREA





Item	Part No.	Name	Qty	Uom	NOTES
1	A20010937	PANEL, REAR 27"	1	EA	NO LONGER AVAILABLE
2	A21010918	BRACKET, AIR, CONVECTION MOTOR	1	EA	NO LONGER AVAILABLE, Not available online / Call for pricing and availability
3	A21010919	BRACKET, AIR, CONVECTION MOTOR	1	EA	NO LONGER AVAILABLE, Not available online / Call for pricing and availability
4	A20014052	WIRE SHIELD	1	EA	
5	PD020060	10 X 1/2" (5/16)HEX WSHER HD.(T)A	1	EA	
6	A2009697	BRACKET, CONVECTION INSULATION	1	EA	
7	A10010907	COVER, BLOWER	1	EA	
8	A2009671	BRACKET, POWER CABLE	1	EA	
9	PB040070	CONDUIT FITTING (90 DEG)	1	EA	
10	PB020071	CONDUIT - FLEXIBLE (48")	1	EA	
11	A20010931	BASE, BACK WRAPPER, 27"	1	EA	NO LONGER AVAILABLE, Not available online / Call for pricing and availability
12	A2009666	AIR CHANNEL	1	EA	
13	PB070301	27" BACK INSULATION	1	EA	NO LONGER AVAILABLE, Not available online / Call for pricing and availability

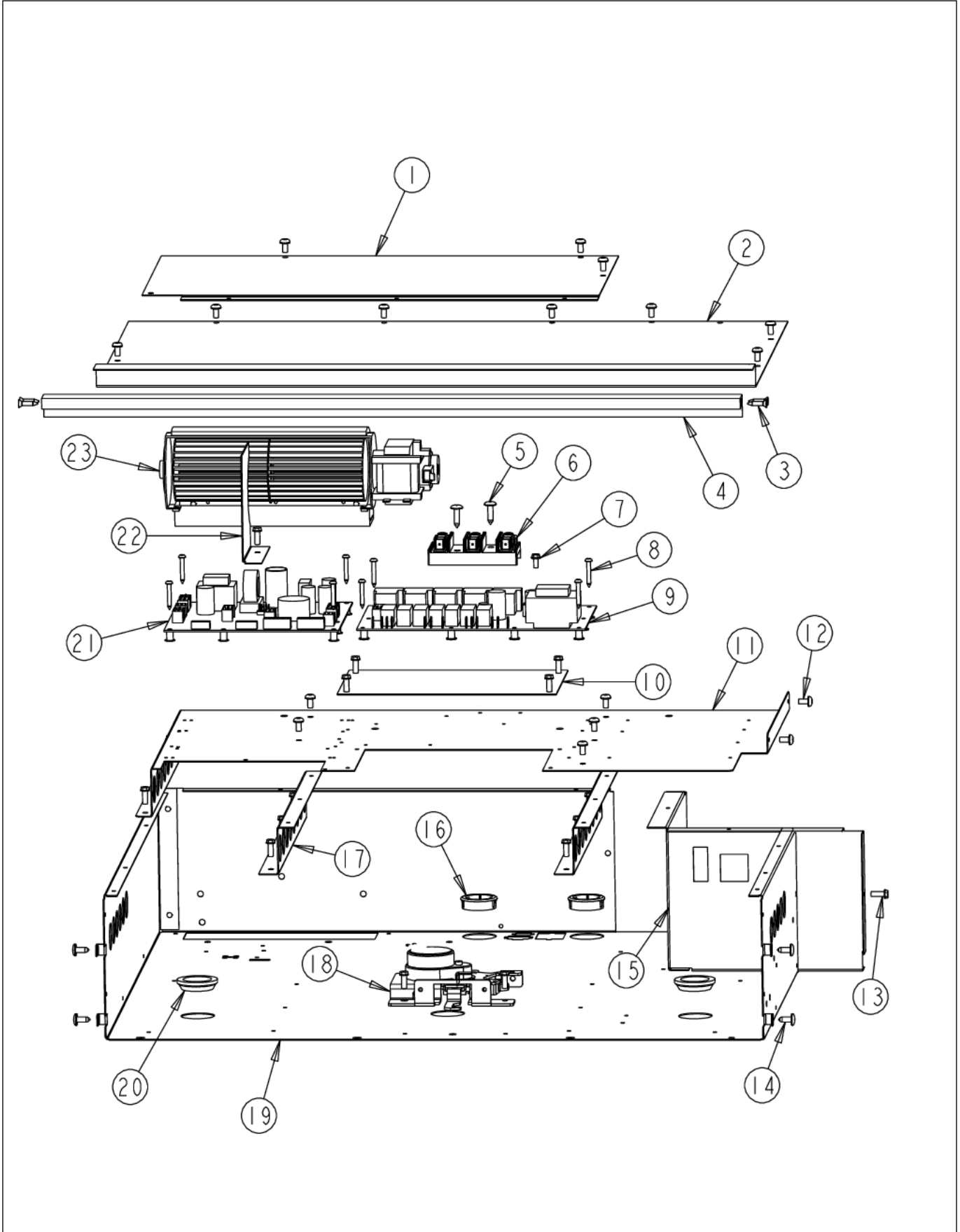
UPPER OVEN CAVITY



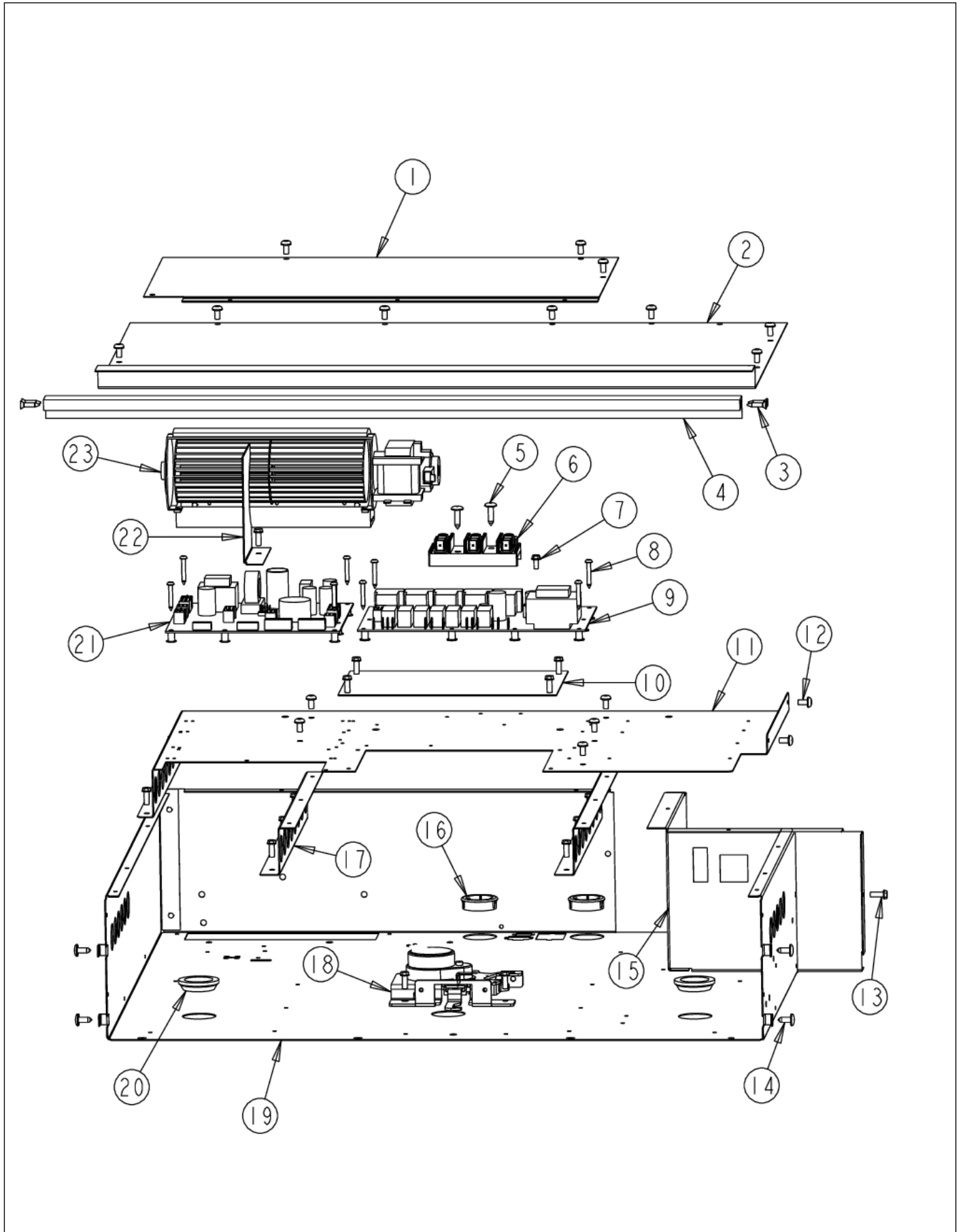


Item	Part No.	Name	Qty	Uom	NOTES
1	PB070307	Top Insulation	1	EA	Not available online / Call for pricing and availability
2	A20014021	REFLECTOR, BROIL	1	EA	
3	PJ010049	BROIL ELEMENT	1	EA	
4	A20014044	BROIL ELEMENT SHIELD	1	EA	
5	PE050206	RTD THERMOSTAT PROBE	1	EA	
6	020403-000	LAMP, OVEN, 120V/40W	1	EA	
7	PD020055	' #10 X 1/2" PAN PHIL. TEK.*SS*	1	EA	
8	A2009641	BRKT, TOP WRAPPER	1	EA	
9	PD020060	10 X 1/2" (5/16)HEX WSHER HD.(T)A	1	EA	
10	PM010014	SMOKE ELIMINATOR (VDSC)	1	EA	
11	PB020275	VENT TUBE	1	EA	
12	PB070306	Top Broil Insulation	1	EA	Not available online / Call for pricing and availability
13	PB070337	Liner Insulation	1	EA	

UPPER UNIT AREA



Item	Part No.	Name	Qty	Uom	NOTES
1	A20014047	Rear Cover	1	EA	Not available online / Call for pricing and availability
2	A20014046	Front Cover	1	EA	Not available online / Call for pricing and availability
3	PD020061	' #8 X 3/4 FLAT HD TEK. *SS*	1	EA	
4	PE040279	27" DES. TOP TRIM	1	EA	NO LONGER AVAILABLE, Not available online / Call for pricing and availability
5	PD020014	10X3/4 PH TR HD SMS	1	EA	
6	PE070147	TERMINAL BLOCK (VDSC)	1	EA	
7	PD020010	10 X 3/8 GREEN GROUNDING SCREW	1	EA	
8	PD020185	Screw, 6 X 1" Pan Head	1	EA	
9	PE050234	RELAY BOARD	1	EA	
10	A10010911	Latch Cover	1	EA	
11	A20010935	Electronics Hat	1	EA	Not available online / Call for pricing and availability
12	PD020004	10X3/8PH.HD.TYPE 25 REPL PD040125	1	EA	
13	PD020060	10 X 1/2" (5/16)HEX WSHER HD.(T)A	1	EA	
14	PD020002	10 X 1/2 PH.TR.HD.SMS.	1	EA	
15	A20010934	BRACKET, MODULE PAN	1	EA	
16	PD040152	SNAP BUSHING	1	EA	
17	A20010910	Support Bracket, Electronics Hat	1	EA	Not available online / Call for pricing and availability
18	013250-000	LATCH,DOOR,ASM,240V,GRID DLE LOCKOUT	1	EA	
19	A20010933	MODULE PAN 27"	1	EA	NO LONGER AVAILABLE, Not available online / Call for pricing and availability
20	PB070079	SILICONE EXTRUSION (DGSU)	1	EA	





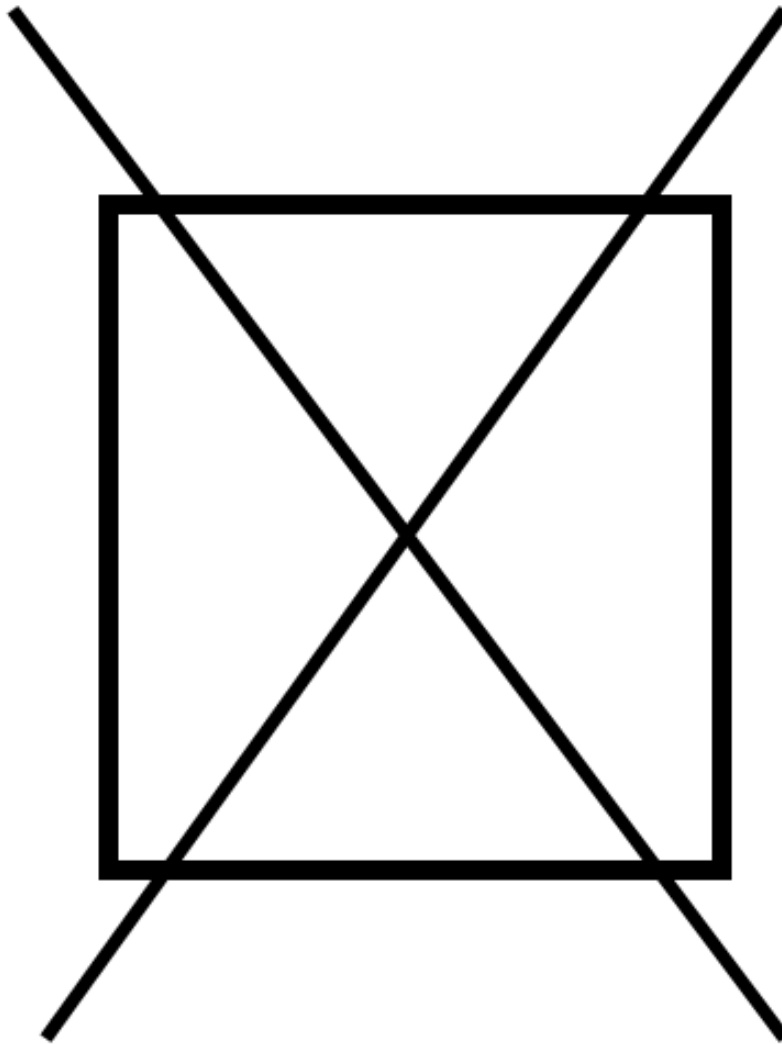
Item	Part No.	Name	Qty	Uom	NOTES
21	PE050233	Control Board	1	EA	
22	A2009667	REAR AIR DIVIDER	1	EA	
23	PE050250	Blower	1	EA	

Comments for Part Num. PE050250

highendappsvc@gmail.com on Jan 28, 2019

If you need to replace cooling fan for the model vgsc5486gss serial date code 031412, do not order this fan, this fan is larger and configured wrong. The correct fan is 007794-000. it is smaller.

NON
ILLUSTRATED PART





Item	Part No.	Name	Qty	Uom	NOTES
NI	PE070845	TOUCH CONTROL KEYBOARD HARNESS	1	EA	
NI	PE070846	TOUCH CONTROL DISPLAY HARNESS	1	EA	



Appendix A:Pages Index

CONTROL AREA 1
DOOR ASSEMBLY 2
EXTERIOR OVEN CAVITY AREA 3
INTERIOR OVEN CAVITY 4
LOWER UNIT AREA 5
REAR UNIT AREA 6
UPPER OVEN CAVITY 7
UPPER UNIT AREA 8
WIRING 9



Appendix B:Parts Index

000594-000	2	A2009696	5
001453-000	2	A2009697	6
001453-002	2	A21010918	6
001453-003	2	A21010919	6
001453-004	2	B21010915	3
001453-005	2	B21010916	3
001453-006	2	C90012822BK	5
001498-000	2	C90014073BK	1
006071-000	2	E91012614	4
013250-000	8	E91014053	4
017736-000	2	E9107933	4
020403-000	7	E9107934	4
036047-000	1	E9109655	5
041045-000	4	G30010922	5
A10010907	6	G32012811BK	2
A10010911	8	G32012811BKBR	2
A10014028	1	G32012811BT	2
A20010910	8	G32012811BTBR	2
A20010931	6	G32012811GG	2
A20010932	5	G32012811GGBR	2
A20010933	8	G32012811SG	2
A20010934	8	G32012811SGBR	2
A20010935	8	G32012811SS	2
A20010937	6	G32012811SSBR	2
A20010949	2	G32012811WH	2
A20012640	2	G32012811WHBR	2
A20012641	2	G32014020	4
A20012649	1	G91010942	2
A20012650	3	G91013597	4
A20014021	7	PB020071	6
A20014023	1	PB020275	7
A20014044	7	PB040070	6
A20014046	8	PB060103	4
A20014047	8	PB060104	4
A20014052	6	PB070079	8
A2009622	3	PB070245	2
A2009641	7	PB070300	5
A2009666	6	PB070301	6
A2009667	8	PB070302	3
A2009671	6	PB070306	7
		PB070307	7



PB070309	5	PJ010048	5
PB070312	4	PJ010049	7
PB070336	2	PJ030043	1
PB070337	7	PM010014	7
PC020221	5		
PC020247	5		
PC050002	2		
PD020002	2, 3, 5, 8		
PD020004	1, 2, 8		
PD020010	8		
PD020013	1		
PD020014	3, 8		
PD020032	2		
PD020055	4, 7		
PD020060	1, 3, 4, 5, 6, 7, 8		
PD020061	3, 8		
PD020063	2, 4, 5		
PD020185	8		
PD020186	2		
PD020232	4		
PD030172	1		
PD040004	1		
PD040152	8		
PD040164	1		
PE030167	2		
PE030167PVD	2		
PE040279	8		
PE040281	3		
PE040282	3		
PE040285	2		
PE050206	7		
PE050208	1		
PE050233	8		
PE050234	8		
PE050250	8		
PE060093	2		
PE070147	8		
PE070648	1		
PE070845	9		
PE070846	9		
PJ010047	4		