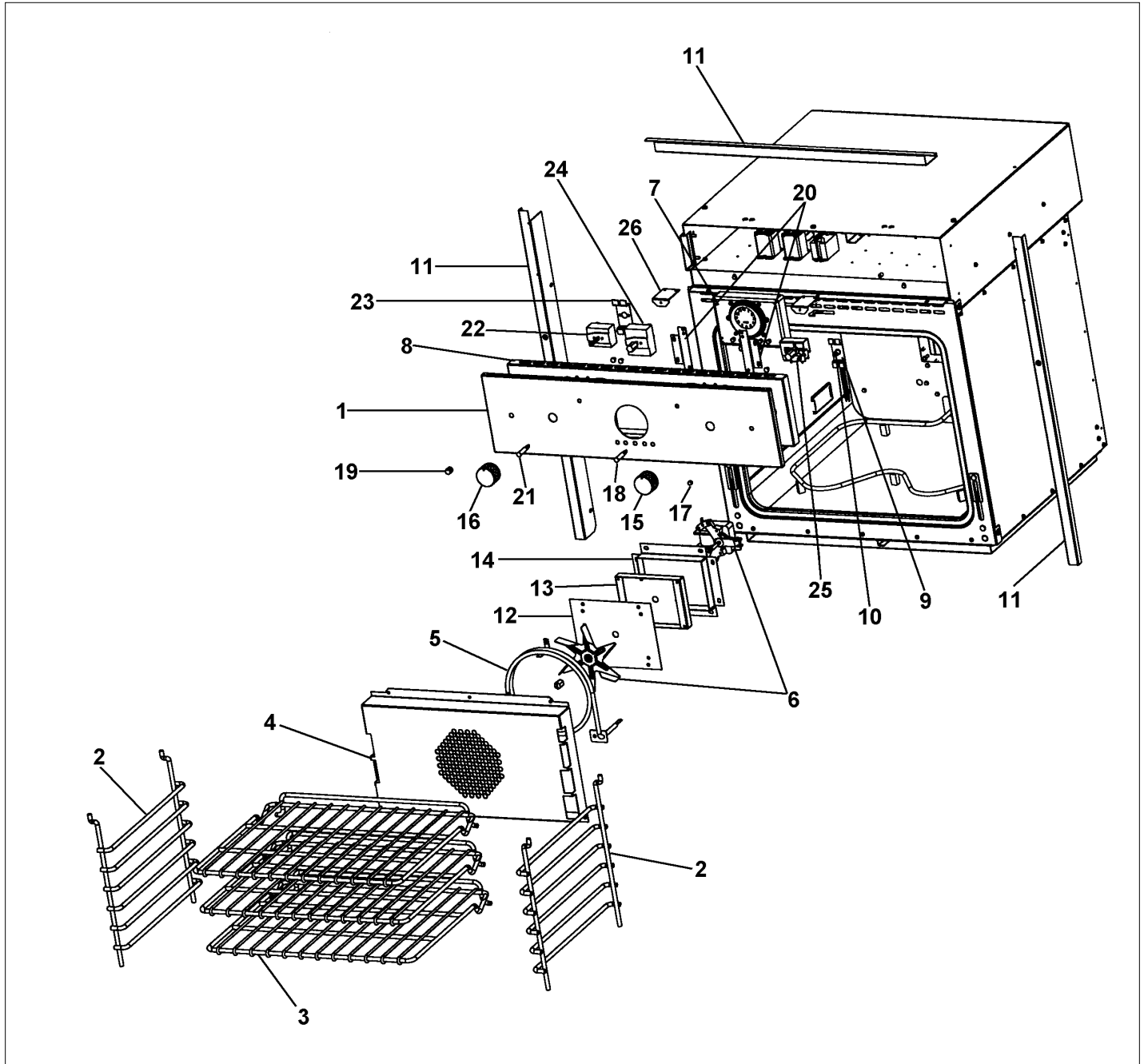


DESO105

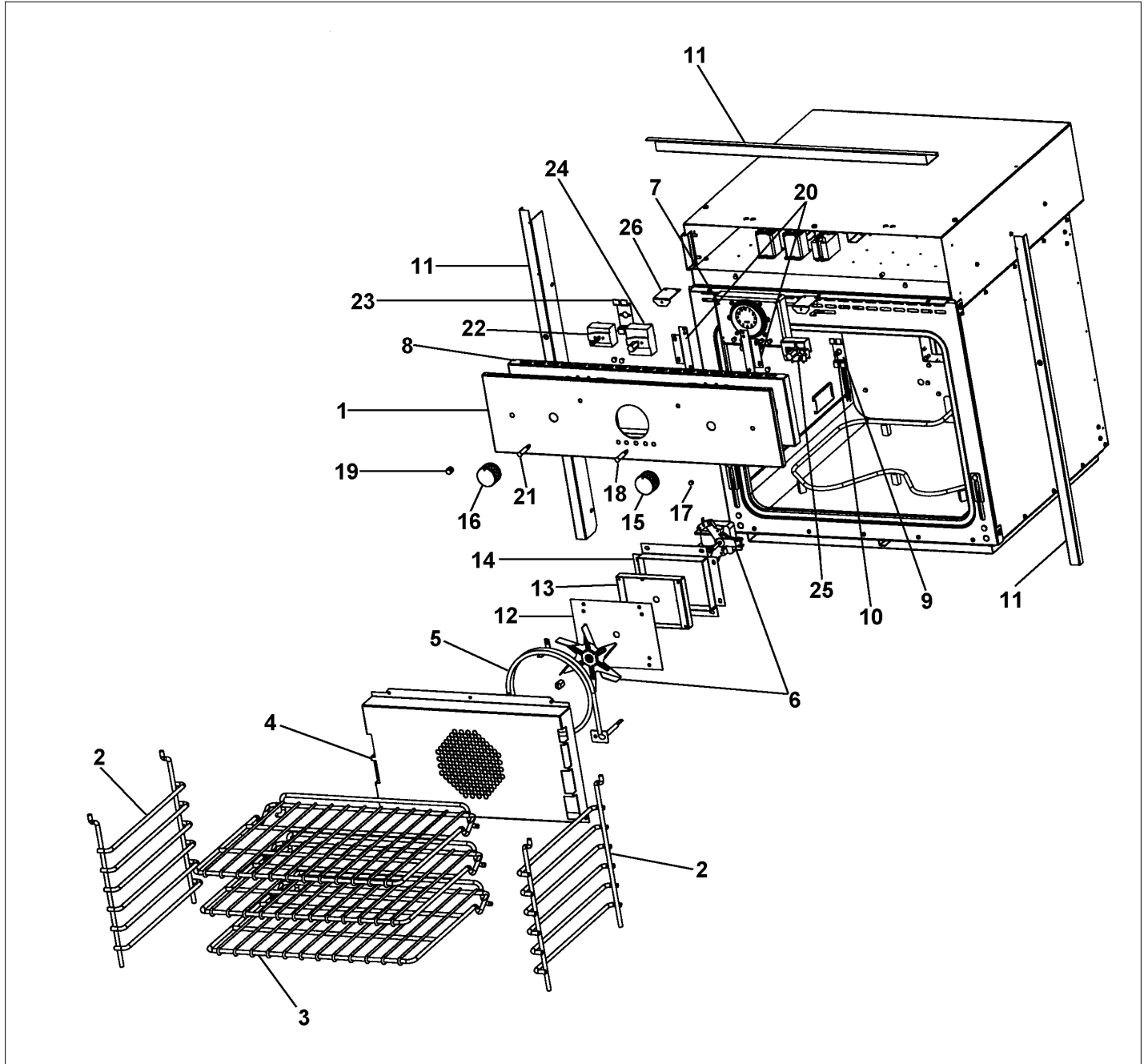
CONTROL - RACK ASSEMBLY	1
DOOR ASSEMBLY	2
FLOW CHART NEW BOARD BAKE	3
FLOW CHART NEW BOARD DOOR LOCK	4
FLOW CHART SELF CLEAN	5
FUNCTIONAL PARTS	6
OVEN CAVITY ASSEMBLY	7
REAR PANEL	8
UPPER UNIT ASSY - AFTER 3-8-04	9
UPPER UNIT ASSY - BEFORE 3-8-04	10
Appendix A:Pages Index	A
Appendix B:Parts Index	B

CONTROL - RACK ASSEMBLY

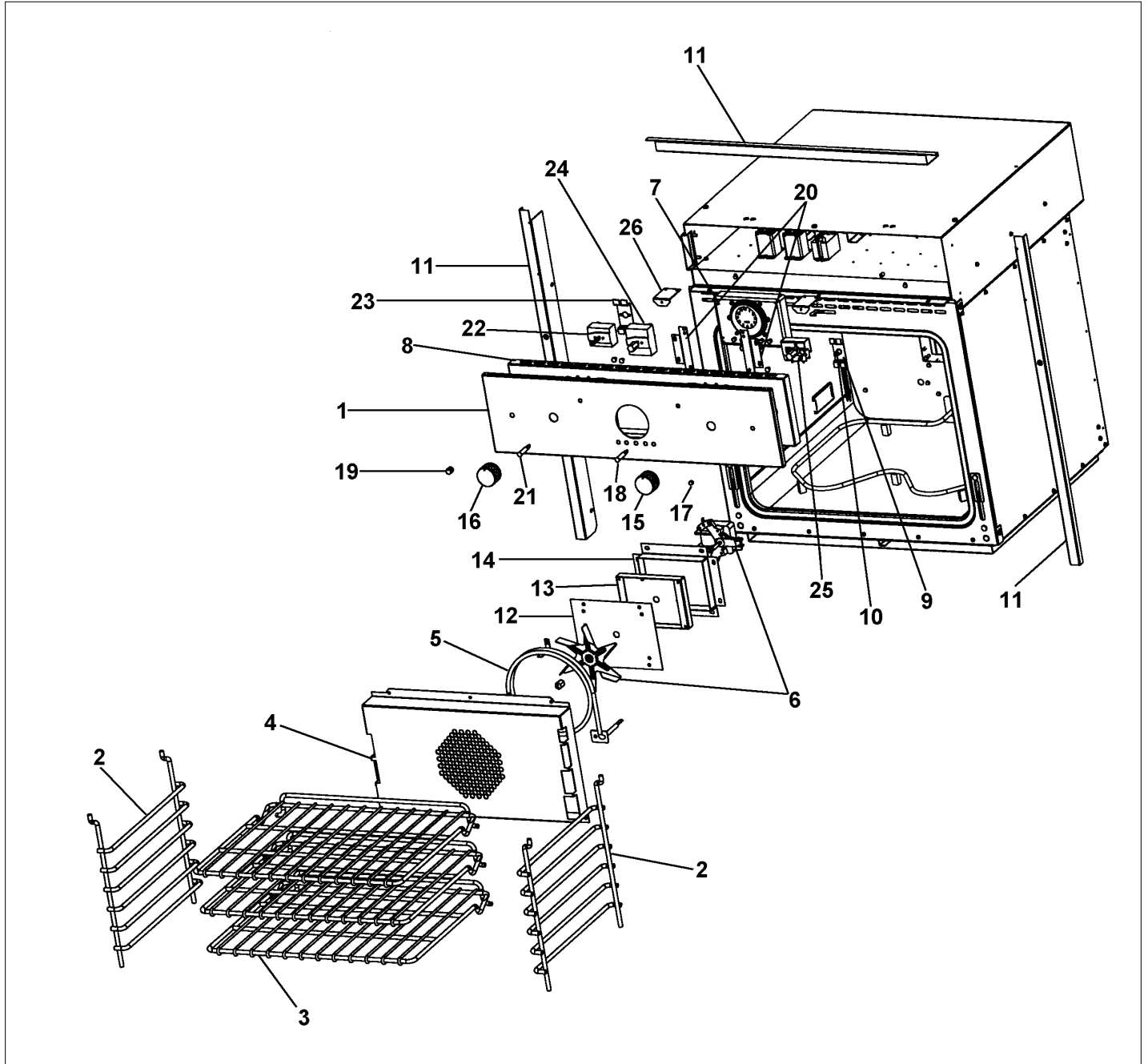




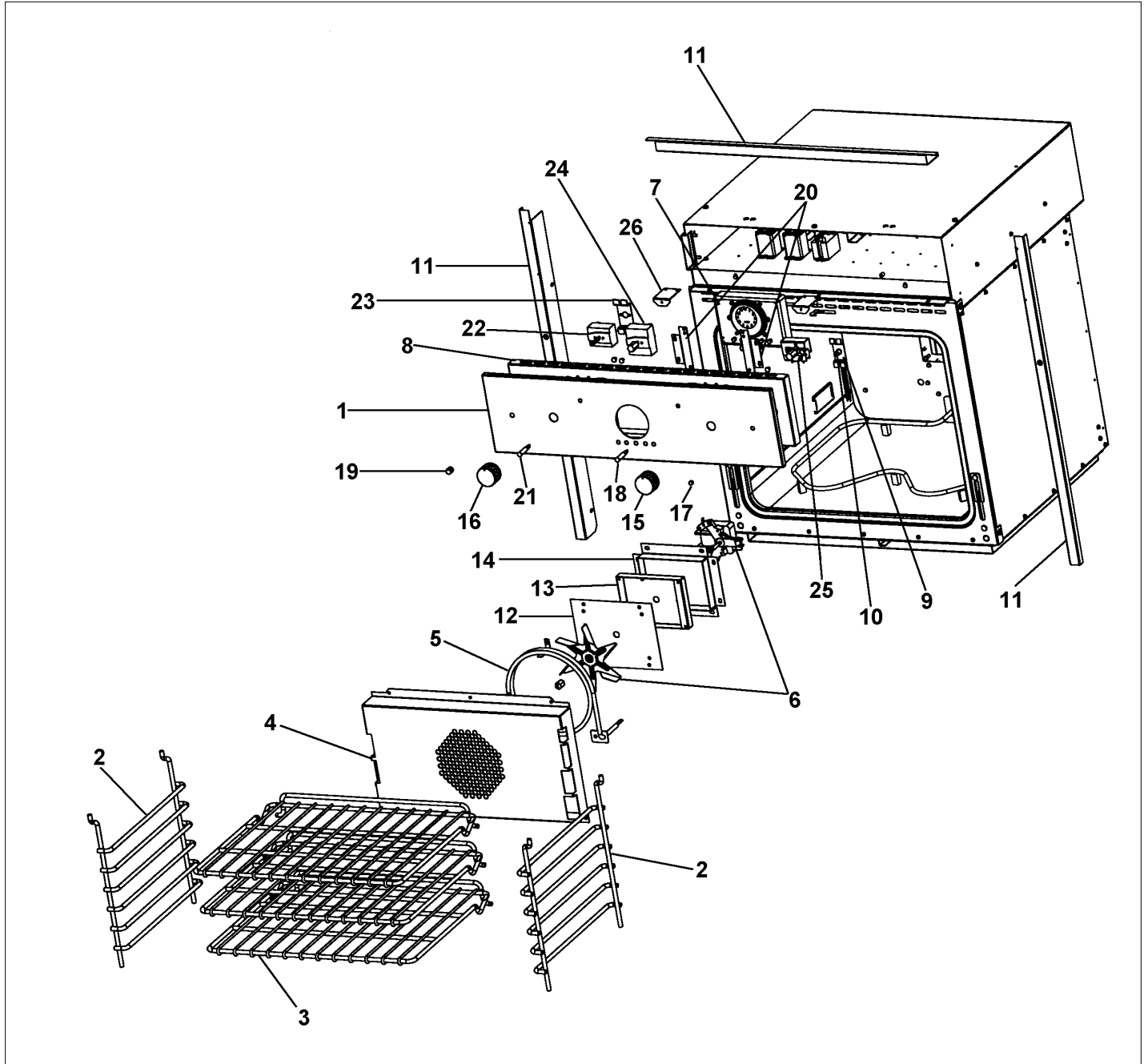
Item	Part No.	Name	Qty	Uom	NOTES
1	B9207251	CONTROL PANEL 30 SGL (DESO105)	1	EA	
Not Shown	C9207251BK	CTRL PAN DESO105 *BK* SLK. SC.	1	EA	NO LONGER AVAILABLE
Not Shown	C9207251BT	CTRL PAN DESO105 *BT* SLK. SC.	1	EA	NO LONGER AVAILABLE, Not available online / Call for pricing and availability
Not Shown	C9207251GG	CTRL PAN DESO105 *GG*SLK. SC.	1	EA	NO LONGER AVAILABLE
Not Shown	C9207251SG	CTRL PAN DESO105 *SG*SLK. SC.	1	EA	Not available online / Call for pricing and availability
Not Shown	C9207251WH	CTRL PAN DESO105 *WH*SLK, SC.	1	EA	NO LONGER AVAILABLE, Not available online / Call for pricing and availability
2	PB060030	RACK SUPT REPL PB060010	1	EA	
3	PB060044	OVEN RK VDSC30/48RH REPL PB060019	1	EA	
4	G9104316	CONVECTION FAN ASSY (VESO176/DO276)	1	EA	Not available online / Call for pricing and availability
5	PJ010003	CONVECTION ELEMENT (VDSC) 240V	1	EA	
6	PE050005	CONVECTION FAN ASSY	1	EA	
7	PE050088	DESIGNER CLOCK	1	EA	
8	H9107912	30"" CONTROL MNTG. PANEL ASSY	1	EA	NO LONGER AVAILABLE
9	A2006101	OVEN LIGHT SWITCH BRACKET	1	EA	
10	G4008423	DESIGNER OVEN LIGHT SWITCH ASSY	1	EA	
11	G3007286	DESO100/105 TRIM ASSY	1	EA	NO LONGER AVAILABLE
Not Shown	G9007612BK	SUB TO G90012652BK - DESO100/105 TRIM ASSY *BK*	1	EA	NO LONGER AVAILABLE, Not available online / Call for pricing and availability



Item	Part No.	Name	Qty	Uom	NOTES
Not Shown	G9007612BT	SUB TO G90012652BT - DESO100/105 TRIM ASSY *BT*	1	EA	NO LONGER AVAILABLE, Not available online / Call for pricing and availability
Not Shown	G9007612GG	SUB TO G90012652GG - DESO100/105 TRIM ASSY *GG*	1	EA	NO LONGER AVAILABLE, Not available online / Call for pricing and availability
Not Shown	G9007612SG	SUB TO G90012652SG - DESO100/105 TRIM ASSY *SG*	1	EA	NO LONGER AVAILABLE, Not available online / Call for pricing and availability
Not Shown	G9007612WH	SUB TO G90012652WH - DESO100/105 TRIM ASSY *WH*	1	EA	NO LONGER AVAILABLE, Not available online / Call for pricing and availability
12	A1002596	CONVECTION FAN COVER (VDSC)	1	EA	
13	A2002595	CONVECTION FAN BOX (VDSC)	1	EA	
14	A2007457	FAN INSULATION SHIELD	1	EA	NO LONGER AVAILABLE, Not available online / Call for pricing and availability
15	PB010196	DESIGNER THERMOSTAT KNOB	1	EA	
Not Shown	PB010196PVD	DESIGNER THERMOSTAT KNOB W/BRASS	1	EA	
Not Shown	PB010204	DESIGNER THERMOSTAT KNOB - GRAY	1	EA	
Not Shown	PB010204PVD	DESIGNER THERMOSTAT KNOB -BR/GRAY	1	EA	
16	PA010194	DES. SELECTOR/THERMOSTAT KNOB	1	EA	
Not Shown	PA010091PVD	DESIGNER SELECTOR KNOB - BR	1	EA	
Not Shown	PA010095	DESIGNER SELECTOR KNOB - GRAY	1	EA	
Not Shown	PA010095PVD	DESIGNER SELECTOR KNOB-BR/GRAY	1	EA	
17	PA010093	DESIGNER OVEN LT SWITCH KNOB	1	EA	
Not Shown	PA010093PVD	DESIGNER OVEN LT SWITCH KNOB-BRASS	1	EA	



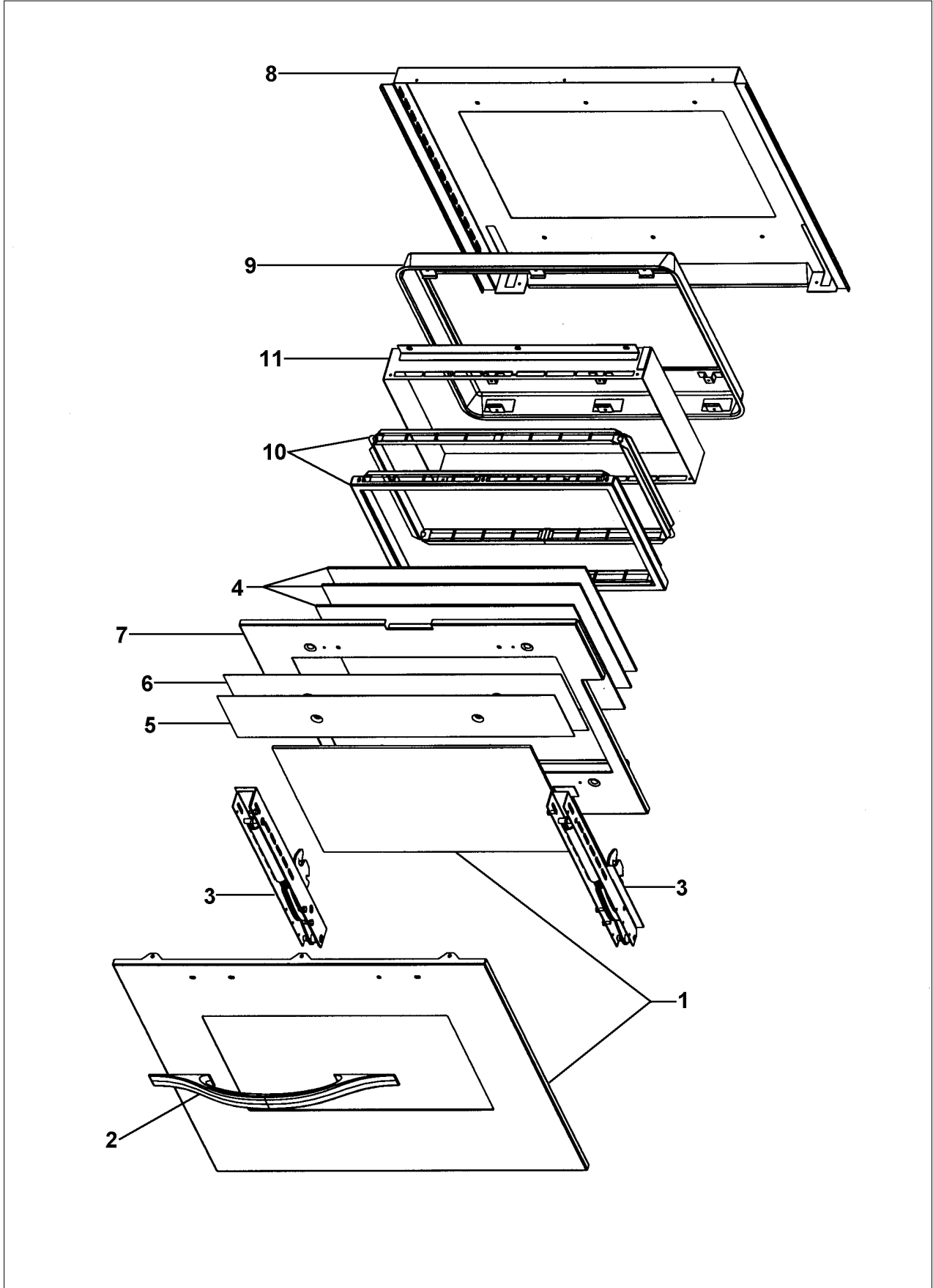
Item	Part No.	Name	Qty	Uom	NOTES
18	PB010221	DESIGNER BIT GEN. KNOB (NEW CLOCK)	1	EA	
Not Shown	PB010221PVD	DESIGNER BIT GEN. KNOB - BRASS	1	EA	Not available online / Call for pricing and availability
19	PA010110	DESIGNER OVEN SELECTOR KNOB REPL PA010092	1	EA	
Not Shown	PA010110PVD	DESIGNER OVEN SELECTOR KNOB-BRASS	1	EA	NO LONGER AVAILABLE
20	A2007255	CLOCK MOUNTING BRACKET	1	EA	NO LONGER AVAILABLE, Not available online / Call for pricing and availability
21	PE050073	DESIGNER INDICATOR LT	1	EA	
22	PJ030011	SWITCH (2-POSITION) VESO105	1	EA	
23	A2006100	THREE POSITION SELECTOR BRKT	1	EA	
24	PJ030001	SELECTOR SWITCH (8-POSITION) VDSC	1	EA	
25	PJ030003	THERMOSTAT (SELF CLEAN) VDSC	1	EA	
<p>Comments for Part Num. PJ030003</p> <p>boltz on Nov 21, 2017 See Bulletin 2005-03 Reply by steves@bendbroadband.com on Apr 10, 2018 what bulletin? bulletin should linked here. Reply by bradleysapplianceservice@shaw.ca on Sep 27, 2018 If you have access to Documoto then all you have to do is either run the part number PJ030003 or service bulletin number 2005-03AS in the main search field and all your answer will be there. It's Simple.</p>					
Not Shown	NOTE	(BEFORE 03/08/04)		EA	
PJ030037	PS500033	SUB TO PS500033 - SELF CLEAN THERMOSTAT	1	EA	
Not Shown	NOTE	(AFTER 03/08/04)		EA	
26	A2006144	CONTROL MOUNT BRACKET	1	EA	
NI	PE050114	MEAT PROBE (DESO/DEDO) (SWITCHCRAFT'S PART # 4C7919)	1	EA	



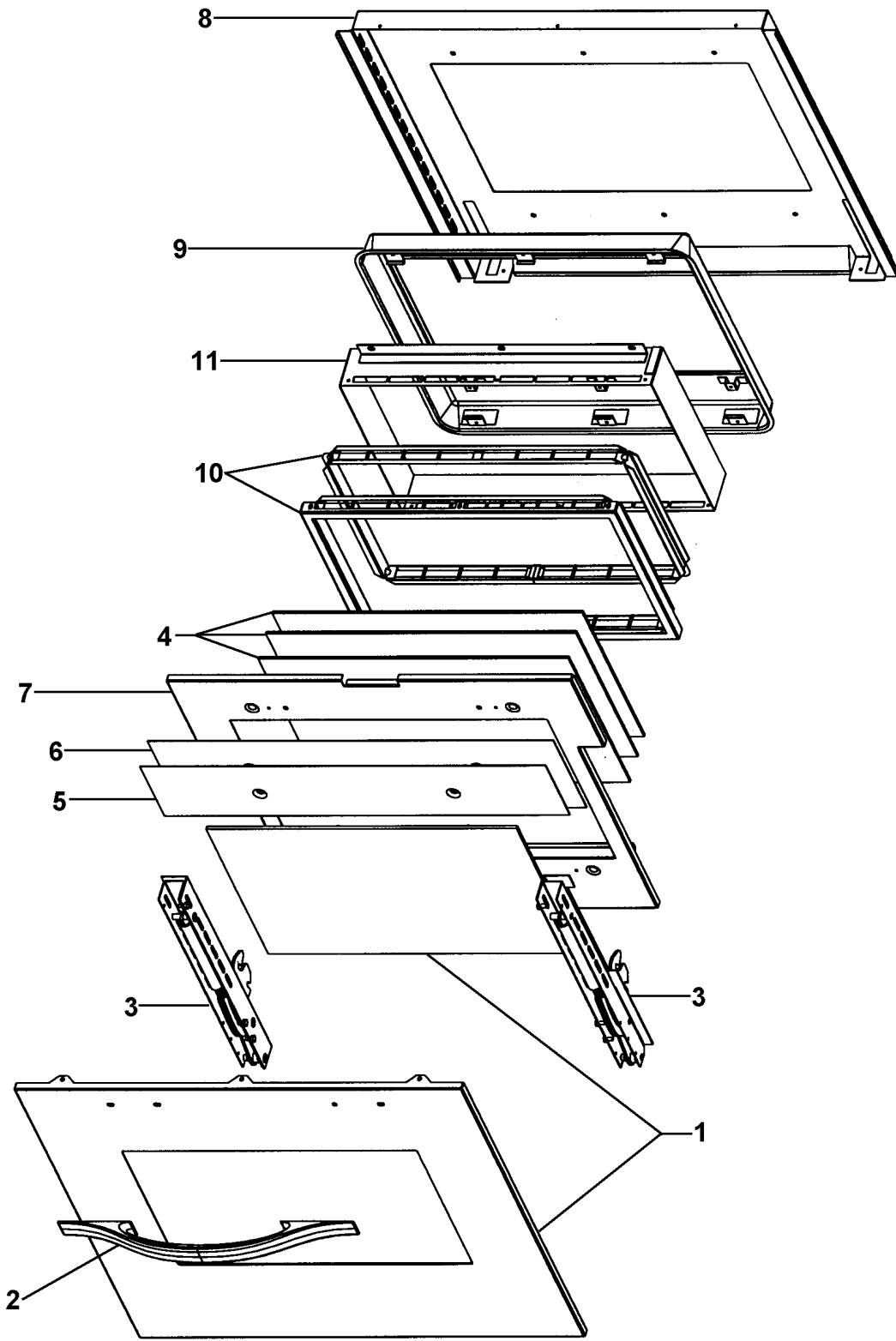


Item	Part No.	Name	Qty	Uom	NOTES
NI	PE050115	MEAT PROBE JACK (SWITCHCRAFT'S PART# 3J1505)	1	EA	
Comments for Part Num. PE050115					
bradleysapplianceservice@shaw.ca on May 8, 2017					
Meat probe is not illustrated on Parts Break Down.					
PE050114 MEAT PROBE					
NI	PJ030006	SWITCH (COOLING FAN)	1	EA	
NI	PE070310	UPPER LATCH HARNESS	1	EA	NO LONGER AVAILABLE

DOOR ASSEMBLY

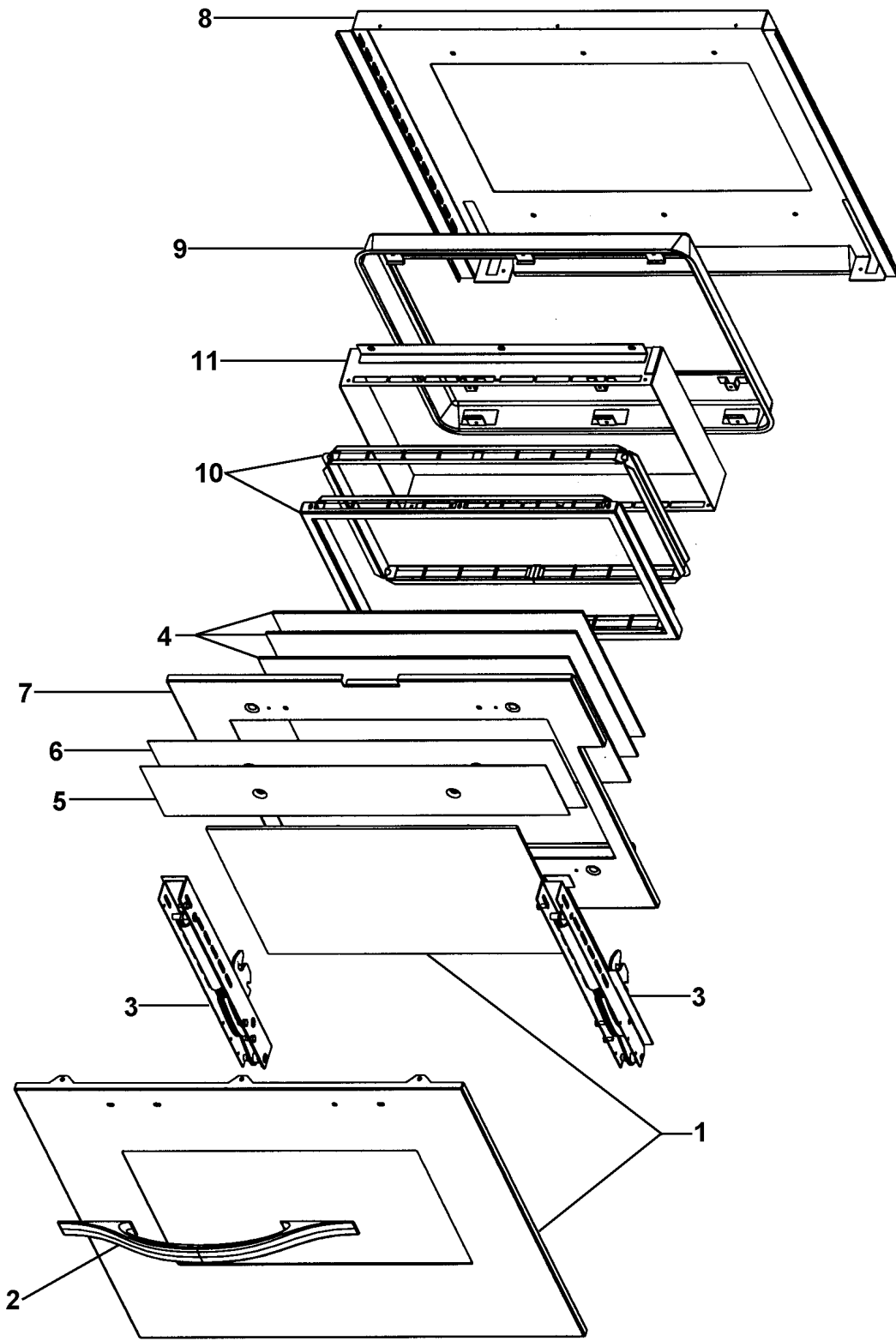


Item	Part No.	Name	Qty	Uom	NOTES
1	G5008293BK	O/S DOOR SKIN ASSEMBLY (DESIGN)	1	EA	
Not Shown	G5008293BT	O/S DOOR SKIN ASSEMBLY (DESIGN)	1	EA	NO LONGER AVAILABLE
Not Shown	G5008293GG	O/S DOOR SKIN ASSEMBLY (DESIGN)	1	EA	NO LONGER AVAILABLE
Not Shown	G5008293SG	O/S DOOR SKIN ASSEMBLY (DESIGN)	1	EA	
Not Shown	G5008293SS	O/S DOOR SKIN ASSEMBLY (DESIGN)	1	EA	
Not Shown	G5008293WH	O/S DOOR SKIN ASSEMBLY (DESIGN)	1	EA	NO LONGER AVAILABLE
2	PE030167	30" DOOR HANDLE	1	EA	
Not Shown	PE030167PVD	30" DOOR HANDLE PVD	1	EA	NO LONGER AVAILABLE
3	006072-000	HINGE, DOOR, ASM, MANSFIELD, DES, GREEN SPRING	1	EA	
Comments for Part Num. 006072-000 bradleysapplianceservice@shaw.ca on Sep 13, 2017 SUBS TO: 006072-000 OVEN DOOR HINGE - GREEN SPRING					
4	PE060057	30" GLASS PACK GLASS H.T.	1	EA	
5	A1006196	OUTER DOOR HEAT SHIELD 30	1	EA	Not available online / Call for pricing and availability
6	A1006195	INNER DOOR HEAT SHIELD 30	1	EA	
7	A2006016	30 INCH DESIGNER DOOR INSULATION	1	EA	Not available online / Call for pricing and availability
8	G50010118	DESO100/105/DEDO200/205 DR LINER SVC-KIT	1	EA	
9	G50010118	DESO100/105/DEDO200/205 DR LINER SVC-KIT	1	EA	
10	H3006156	30 INCH GLASS PK FRAME WELD	1	EA	
11	H3006158	30 INCH GLASS PACK FRAME WELD	1	EA	
NI	G3207283BK	DOOR ASSY *BK* (DEDO205/DESO105)	1	EA	NO LONGER AVAILABLE





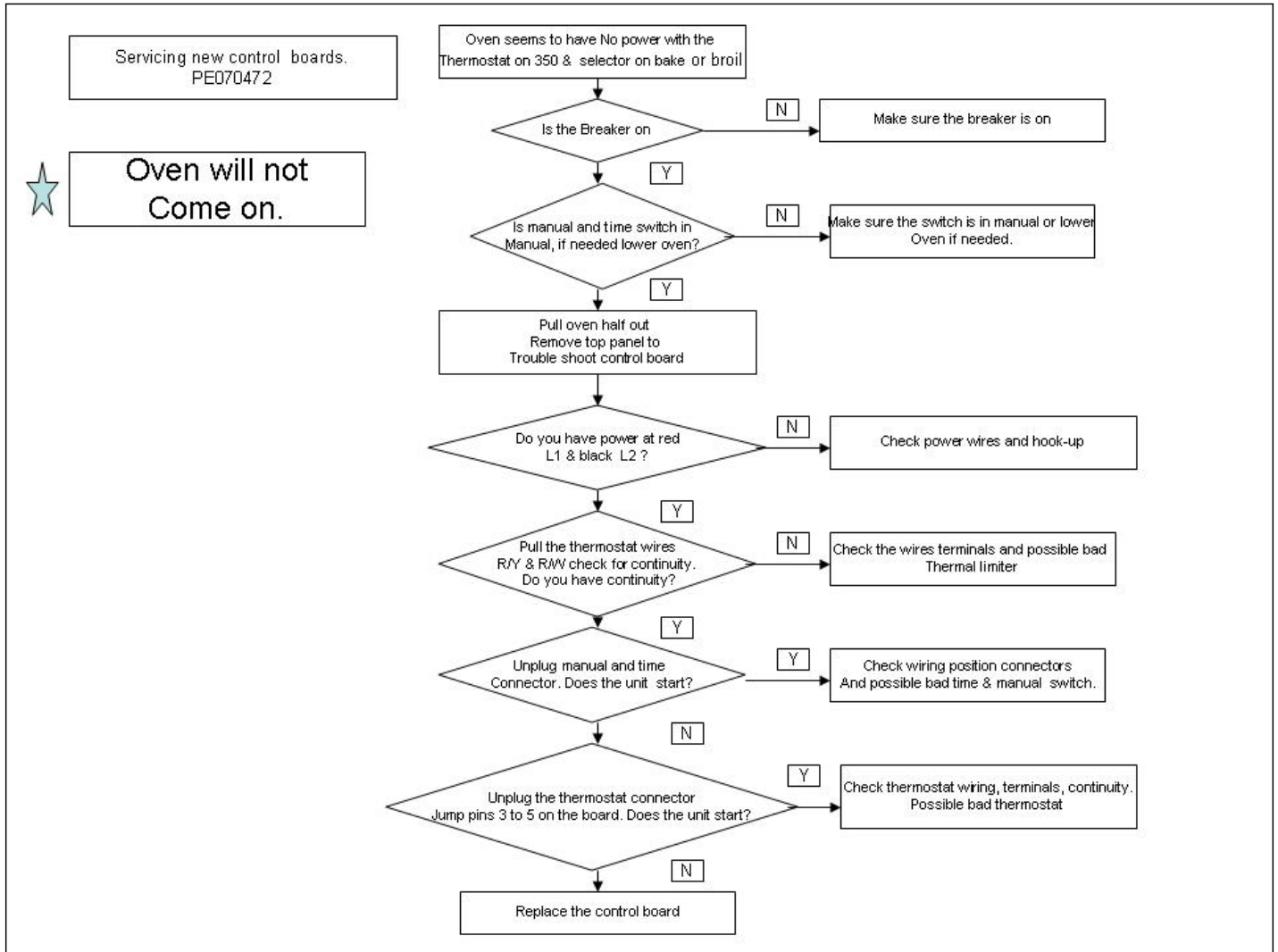
Item	Part No.	Name	Qty	Uom	NOTES
Not Shown	G3207283BKBR	DOOR ASSY *BK*BR*(DEDO205/DESO105)	1	EA	NO LONGER AVAILABLE, Not available online / Call for pricing and availability
Not Shown	G3207283BT	DOOR ASSY *BT* (DEDO205/DESO105)	1	EA	NO LONGER AVAILABLE
Not Shown	G3207283BTBR	DOOR ASSY *BT*BR*(DEDO205/DESO105)	1	EA	NO LONGER AVAILABLE, Not available online / Call for pricing and availability
Not Shown	G3207283GG	DOOR ASSY *GG* (DEDO205/DESO105)	1	EA	NO LONGER AVAILABLE
Not Shown	G3207283GGBR	DOOR ASSY *GG*BR*(DEDO205/DESO105)	1	EA	NO LONGER AVAILABLE, Not available online / Call for pricing and availability
Not Shown	G3207283SG	DOOR ASSY*SG* (DEDO205/DESO105)	1	EA	NO LONGER AVAILABLE, Not available online / Call for pricing and availability
Not Shown	G3207283SGBR	DOOR ASSY *SG*BR*(DEDO205/DESO105)	1	EA	NO LONGER AVAILABLE, Not available online / Call for pricing and availability
Not Shown	G3207283SS	DOOR ASSY *SS* (DEDO205/DESO105)	1	EA	
Not Shown	G3207283SSBR	DOOR ASSY *SS*BR*(DEDO205/DESO105)	1	EA	NO LONGER AVAILABLE, Not available online / Call for pricing and availability
Not Shown	G3207283WH	DOOR ASSY *WH* (DEDO205/DESO105)	1	EA	NO LONGER AVAILABLE, Not available online / Call for pricing and availability
Not Shown	G3207283WHBR	DOOR ASSY *WH*BR*(DEDO205/DESO105)	1	EA	NO LONGER AVAILABLE, Not available online / Call for pricing and availability
NI	000623-000	DOOR GASKET(3/8"DIA.) (VDSC)	1	EA	
NI	B1007913	HINGE CLIP (DESIGNER TIME PIECE)	1	EA	
NI	PB070094	1/4" FIBERGLASS ROPE	1	EA	



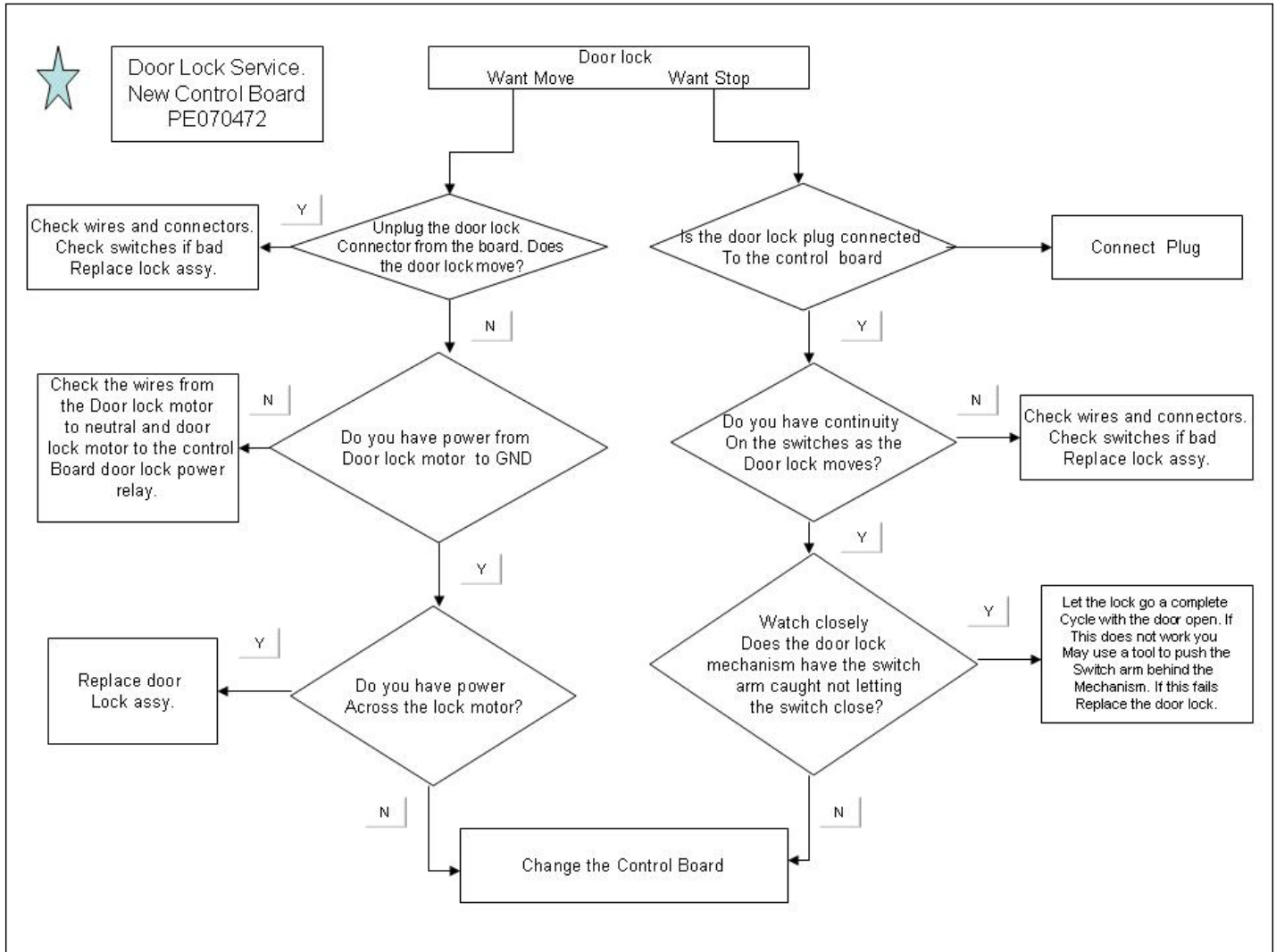


Item	Part No.	Name	Qty	Uom	NOTES
NI	PB070093	BOARD INSULATION 30"	1	EA	
NI	PD020032	SRW-8(A)X3/8"PH.WFR HD 7/16DIA*NICL	1	EA	

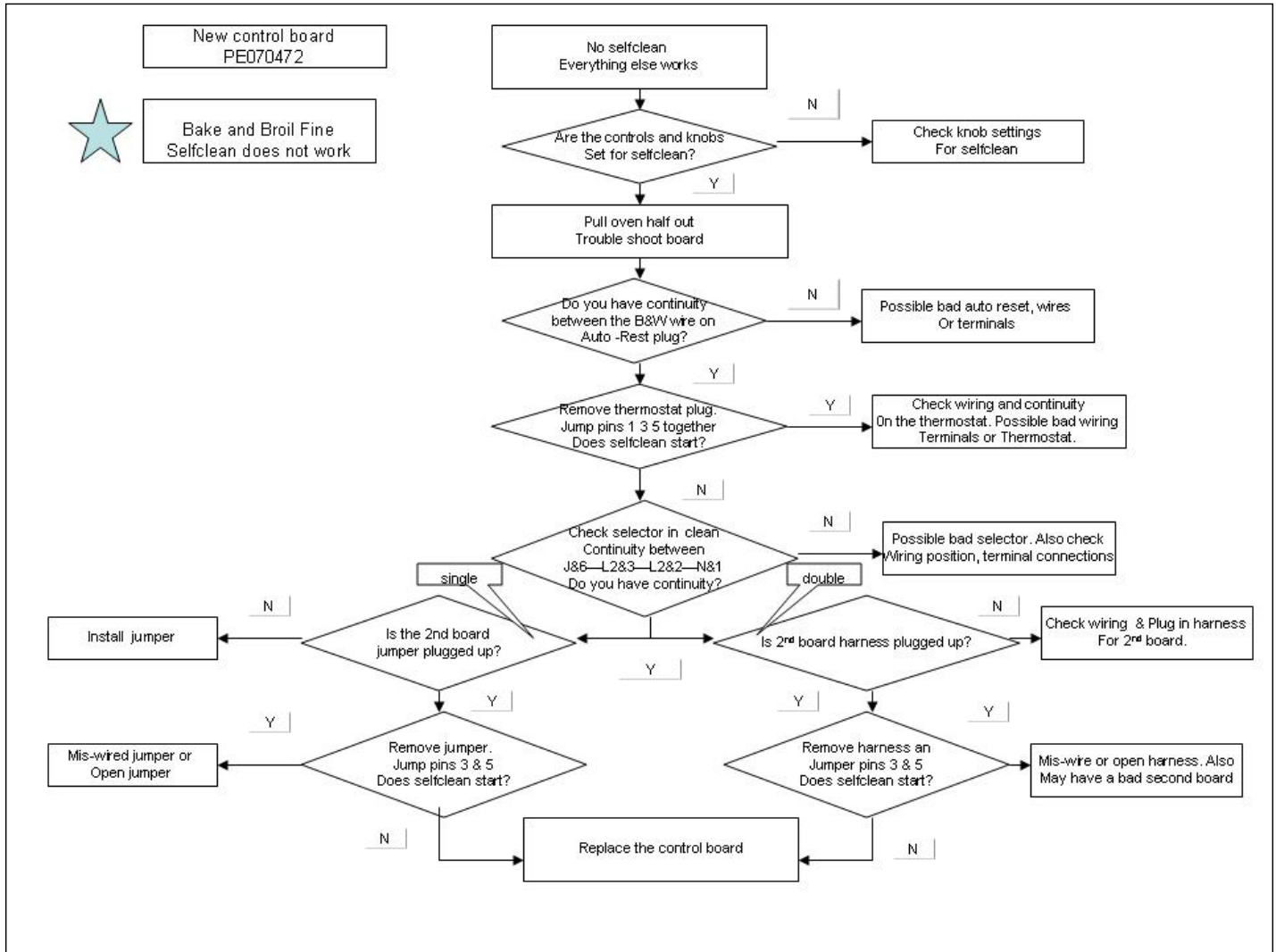
FLOW CHART NEW BOARD BAKE



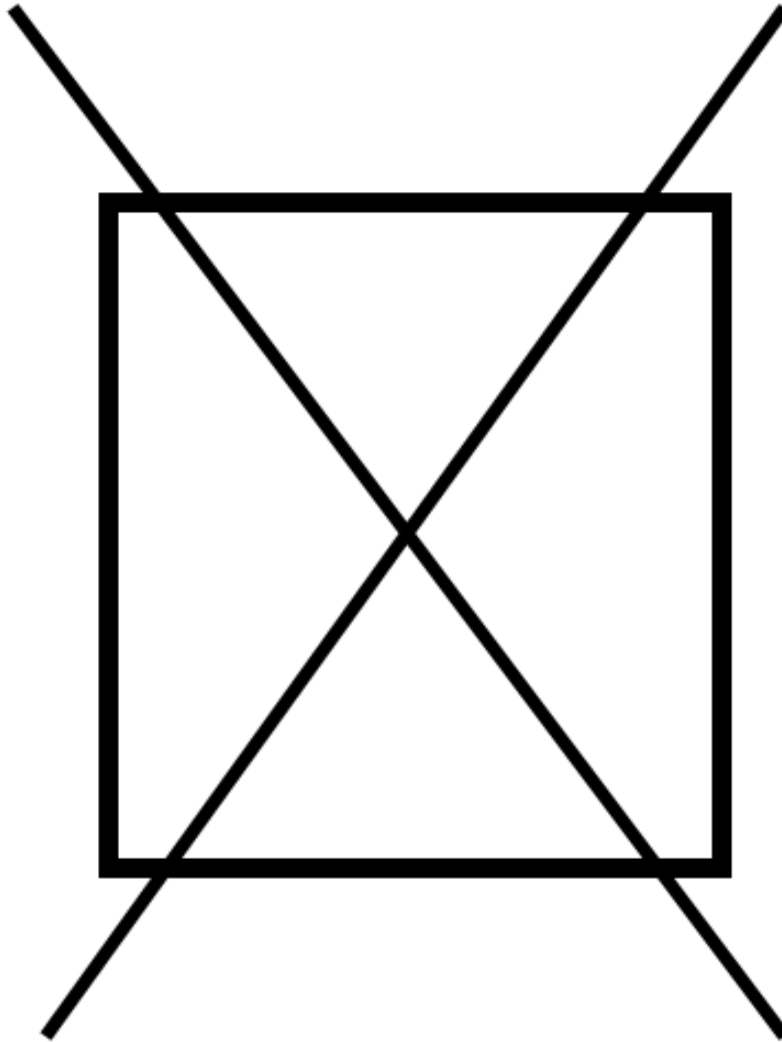
FLOW CHART NEW BOARD DOOR LOCK



FLOW CHART SELF CLEAN

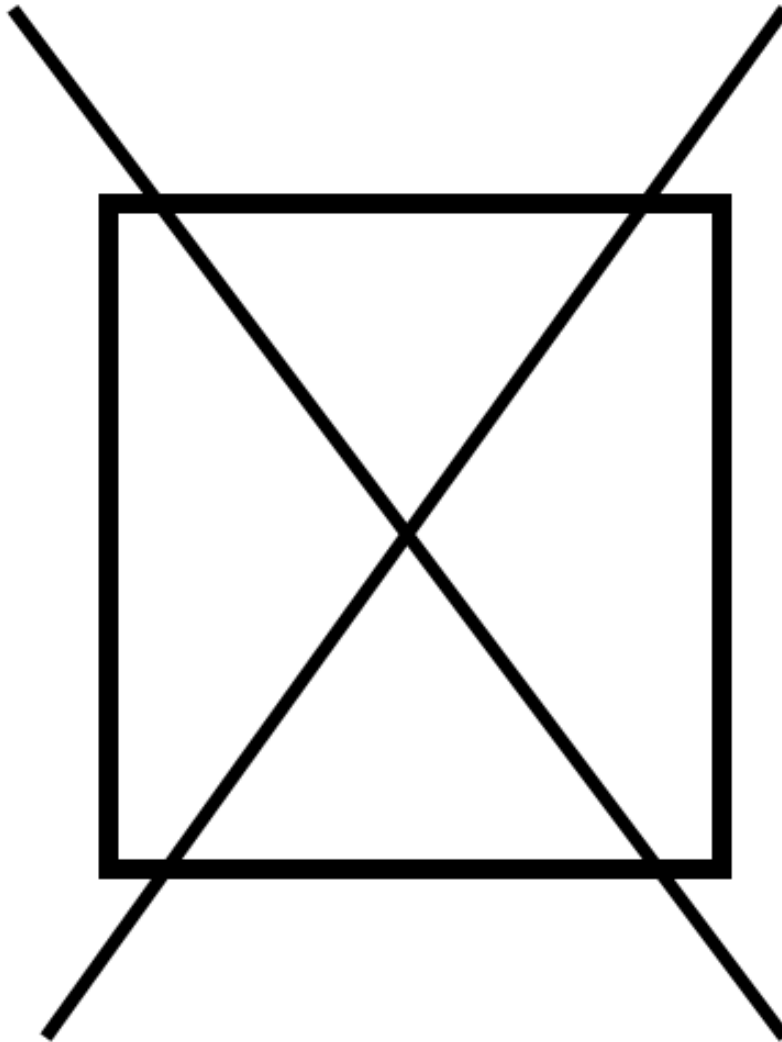


NON
ILLUSTRATED PART



Item	Part No.	Name	Qty	Uom	NOTES
1	PJ030011	SWITCH (2-POSITION) VESO105	1	EA	
2	PJ030001	SELECTOR SWITCH (8- POSITION) VDSC	1	EA	
3	PJ030002	AUTO RESET (SELF-CLEAN) VDSC	1	EA	
4	PJ010004	BAKE ELEMENT (VDSC) 240V	1	EA	
5	PE050087	BLOWER ASSEMBLY - DESIGNER SERIES	1	EA	
6	PE050088	DESIGNER CLOCK	1	EA	
7	G3207273	CONCEALED BROIL ELEMENT ASSY (DEDO)	1	EA	
8	PJ010003	CONVECTION ELEMENT (VDSC) 240V	1	EA	
9	PE050005	CONVECTION FAN ASSY	1	EA	
10	PE050112	DOOR LATCH	1	EA	
11	PJ030006	SWITCH (COOLING FAN)	1	EA	
12	PE050059	HI-LIMIT SWITCH	1	EA	
13	PE050073	DESIGNER INDICATOR LT	1	EA	
14	PE050114	MEAT PROBE (DESO/DEDO) (SWITCHCRAFT'S PART # 4C7919)	1	EA	
15	PE050115	MEAT PROBE JACK (SWITCHCRAFT'S PART# 3J1505)	1	EA	
<p>Comments for Part Num. PE050115</p> <p>bradleysapplianceservice@shaw.ca on May 8, 2017 Meat probe is not illustrated on Parts Break Down. PE050114 MEAT PROBE</p>					
16	PE050056	OVEN LIGHT ASSY 12V/5W	1	EA	
17	G4008423	DESIGNER OVEN LIGHT SWITCH ASSY	1	EA	
18	PE070308	PRE-HEAT BOARD	1	EA	
19	PE070319	DESO PREHEAT HARNESS	1	EA	
20	PM010129	RELAY	1	EA	
21	PM010029	RELAY (DOUBLE POLE- DOUBLE THROW)TEM	1	EA	
22	PE070148	SELF-CLEAN BOARD/TIMER (VDSC)	1	EA	

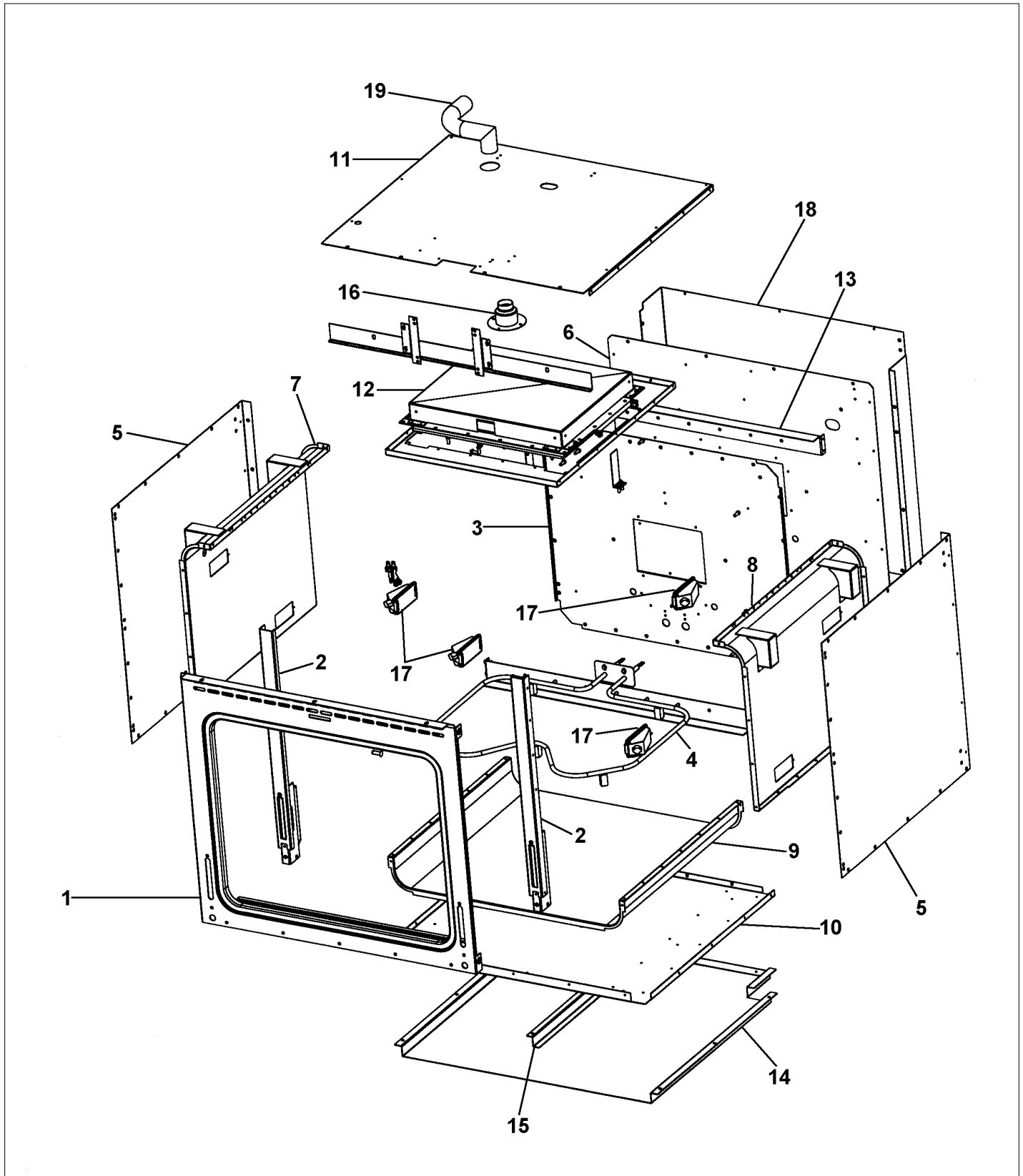
NON
ILLUSTRATED PART



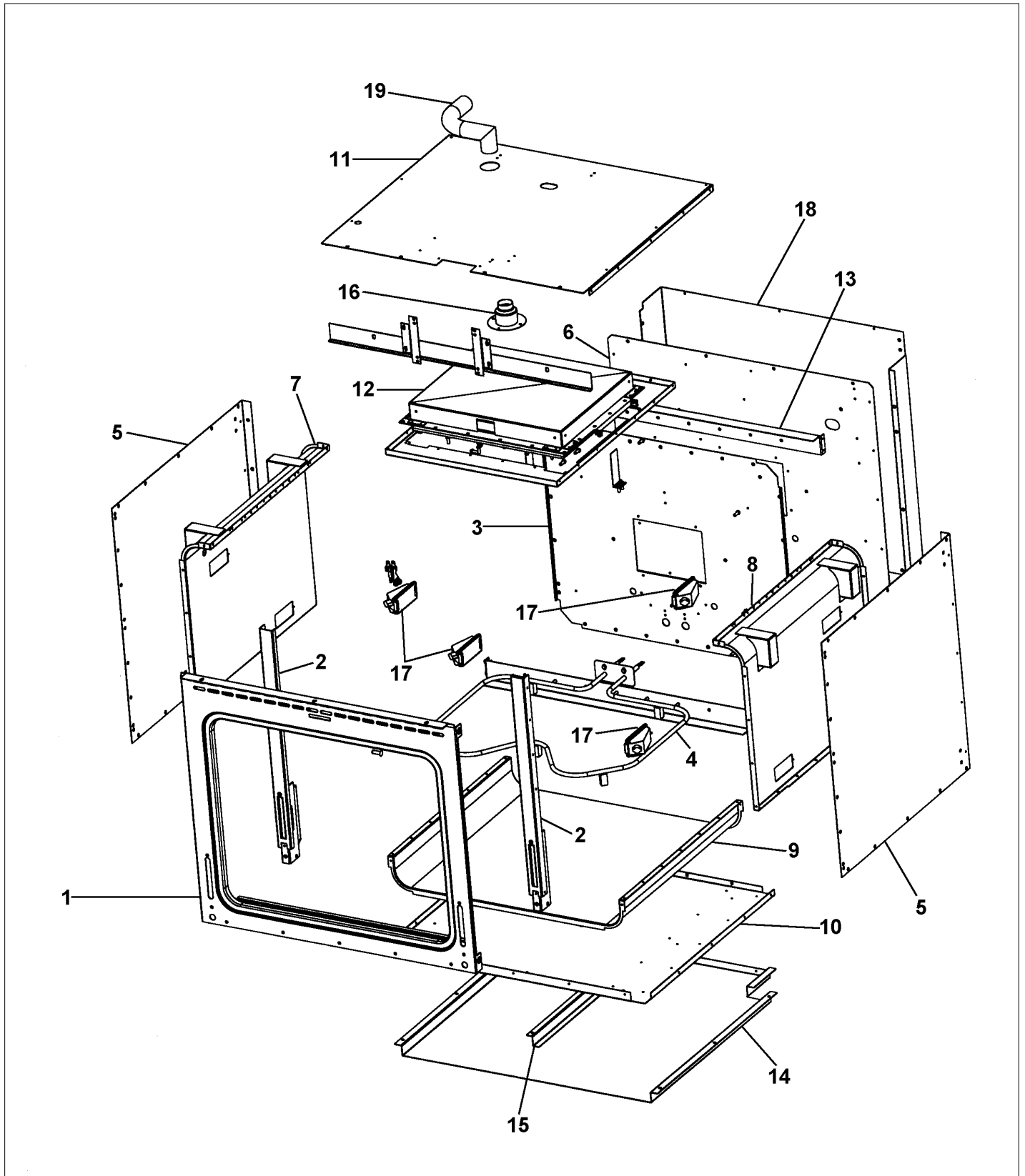


Item	Part No.	Name	Qty	Uom	NOTES
23	PM010014	SMOKE ELIMINATOR (VDSC)	1	EA	
24	PE070147	TERMINAL BLOCK (VDSC)	1	EA	
25	PS500033	SUB TO PS500033 - SELF CLEAN THERMOSTAT	1	EA	
26	PE070468	TRANSFORMER HALOGEN LIGHTS REPLACES PE070222	1	EA	
27	PE070310	UPPER LATCH HARNESS	1	EA	NO LONGER AVAILABLE

OVEN CAVITY ASSEMBLY



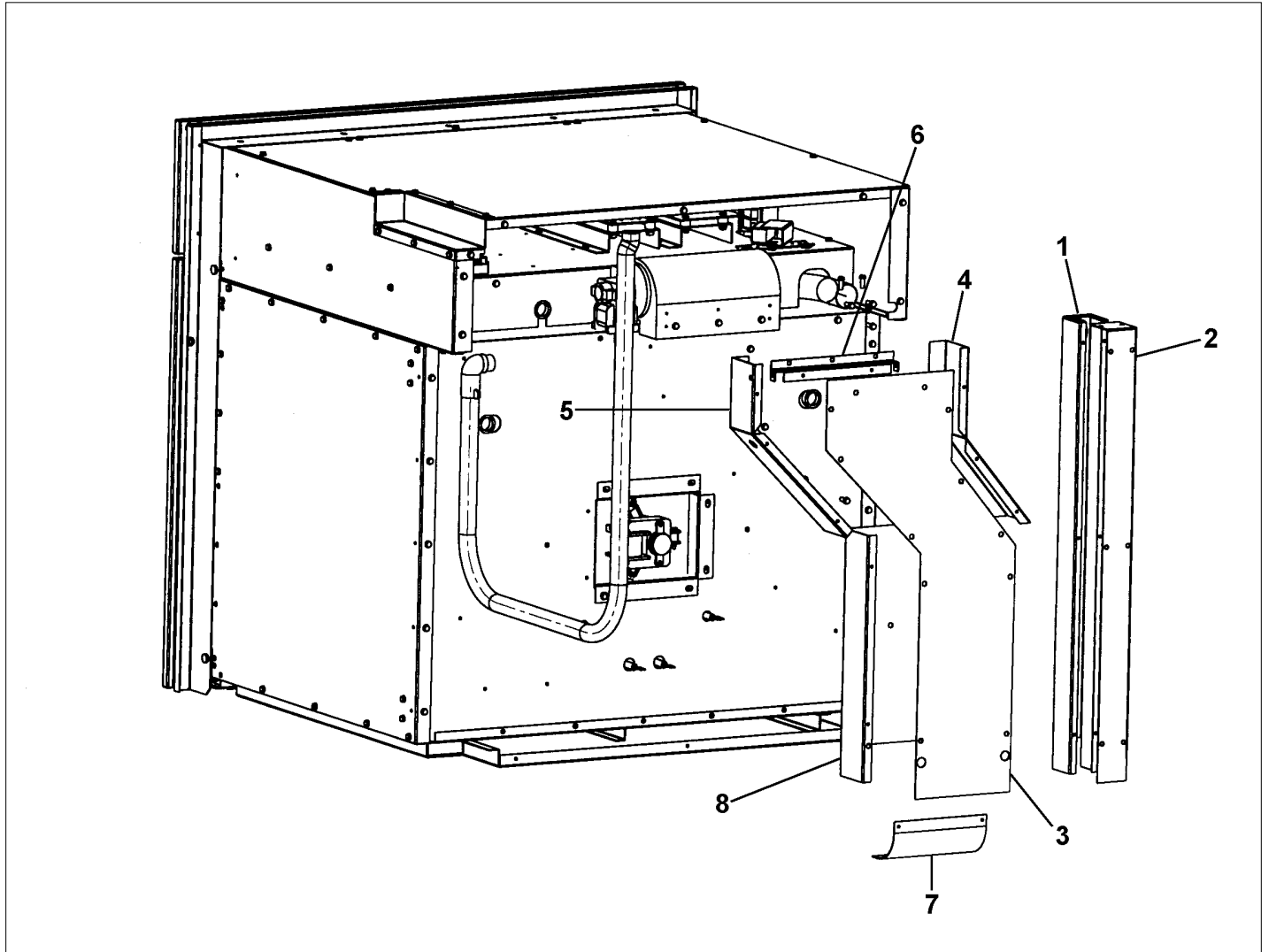
Item	Part No.	Name	Qty	Uom	NOTES
1	H9106118	30 INCH DESIGNER F.F. ASSEMBLY	1	EA	NO LONGER AVAILABLE
2	PC020016	HINGE RECEIVER (VEDO/VEDO)	1	EA	
3	E9107264	OVEN BACK 30" (DED0205)	1	EA	NO LONGER AVAILABLE, Not available online / Call for pricing and availability
4	PJ010004	BAKE ELEMENT (VDSC) 240V	1	EA	
5	A2002904	SIDE INSULATION RETAINER	1	EA	NO LONGER AVAILABLE, Not available online / Call for pricing and availability
6	A1007271	BACK INSULATION RETAINER 30"	1	EA	NO LONGER AVAILABLE, Not available online / Call for pricing and availability
7	NOT REPLACEABLE	SIDE ASSEMBLY - LH	1	EA	
8	NOT REPLACEABLE	SIDE ASSEMBLY - RH	1	EA	
9	NOT REPLACEABLE	OVEN BOTTOM ASSEMBLY	1	EA	
10	A2002961	BOTTOM INSULATION RETAINER(VEDO/SO)	1	EA	NO LONGER AVAILABLE
11	G3007461	30 TOP INSULATION RETAINER ASSY	1	EA	NO LONGER AVAILABLE, Not available online / Call for pricing and availability
12	G3207273	CONCEALED BROIL ELEMENT ASSY (DED0)	1	EA	
13	A2002158	REAR OVEN SUPT (VDSC)	1	EA	NO LONGER AVAILABLE, Not available online / Call for pricing and availability
14	G3007458	30" VENT BOTTOM WELD ASSY	1	EA	NO LONGER AVAILABLE, Not available online / Call for pricing and availability
15	A2007299	BOTTOM VENT BRACE (DESO/DED0)	1	EA	NO LONGER AVAILABLE, Not available online / Call for pricing and availability
16	PM010014	SMOKE ELIMINATOR (VDSC)	1	EA	
17	PE050056	OVEN LIGHT ASSY 12V/5W	1	EA	





Item	Part No.	Name	Qty	Uom	NOTES
18	A2006107	LOWER REAR COVER 30 (DEDO200)	1	EA	NO LONGER AVAILABLE
19	PB020152	OVEN VENT (DESO/DEDO)	1	EA	

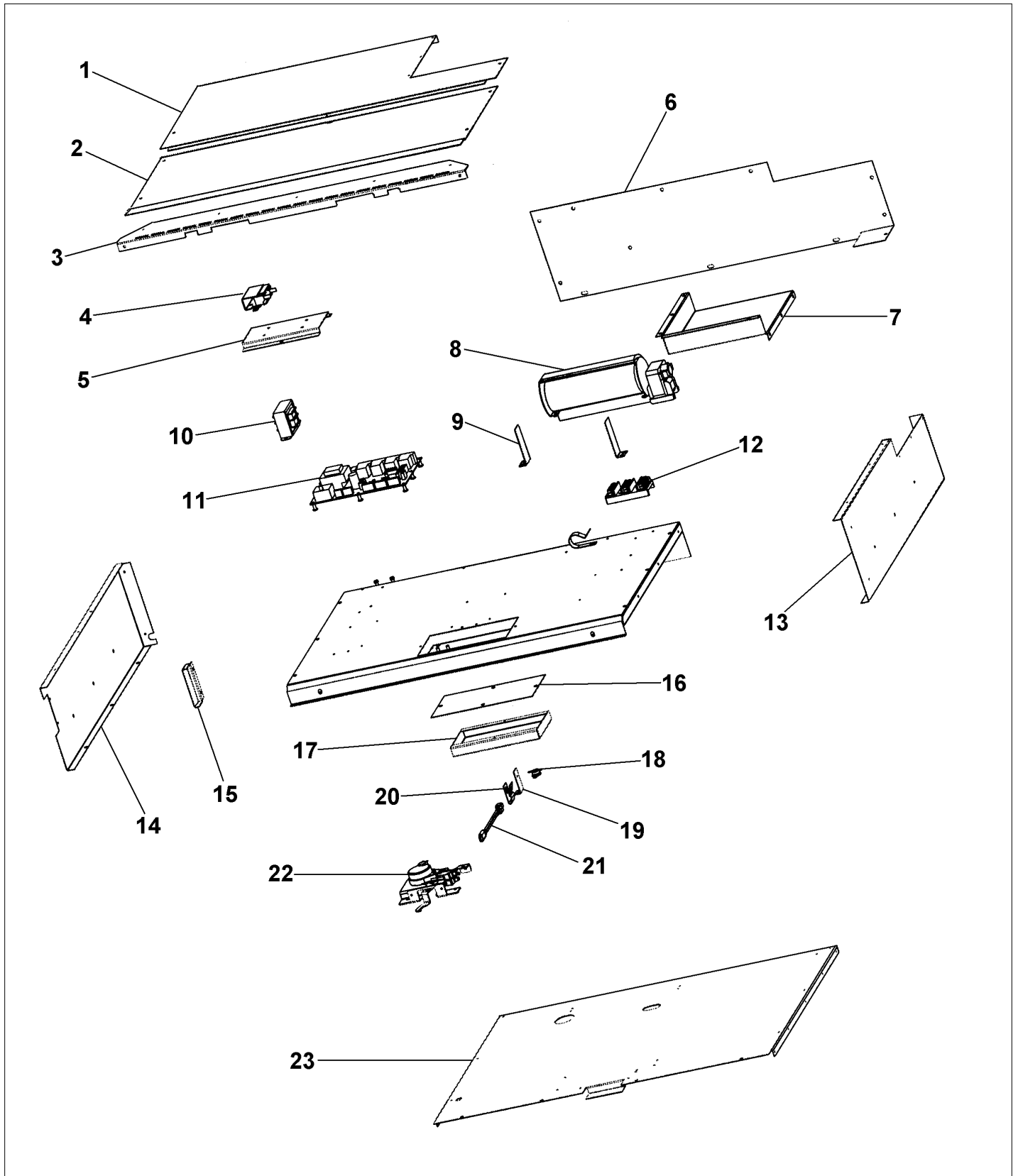
REAR PANEL





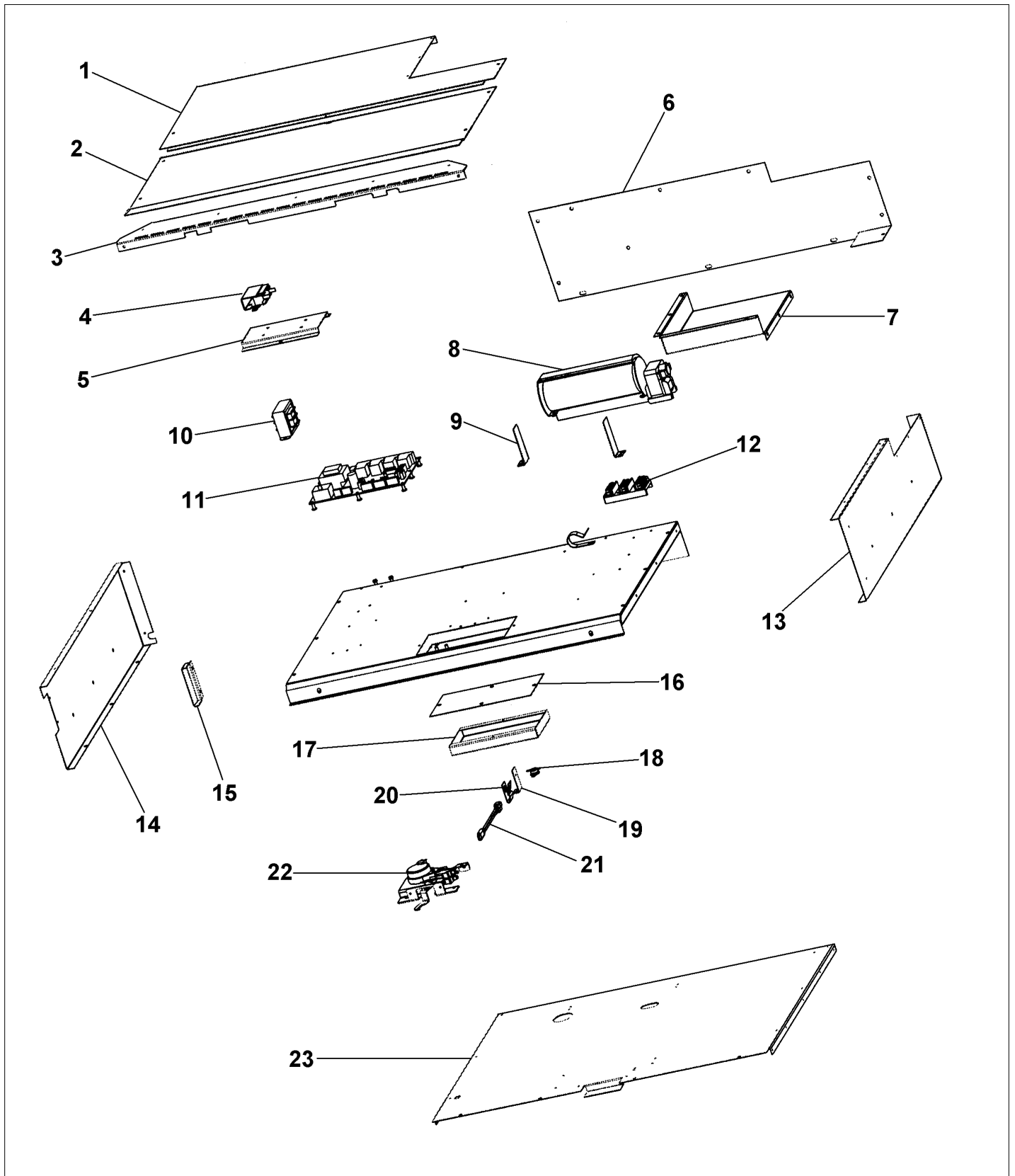
Item	Part No.	Name	Qty	Uom	NOTES
1	A2006188	SINGLE OVEN FLUE	1	EA	NO LONGER AVAILABLE, Not available online / Call for pricing and availability
2	A2006189	SINGLE OVEN FLUE COVER	1	EA	NO LONGER AVAILABLE, Not available online / Call for pricing and availability
3	A1006190	SINGLE OVEN COVER PLATE	1	EA	NO LONGER AVAILABLE, Not available online / Call for pricing and availability
4	A2006324	VENT SIDE LH	1	EA	NO LONGER AVAILABLE, Not available online / Call for pricing and availability
5	A2006323	VENT SIDE RH	1	EA	NO LONGER AVAILABLE, Not available online / Call for pricing and availability
6	A2006048	FAN MOUNTING BRACKET	1	EA	NO LONGER AVAILABLE, Not available online / Call for pricing and availability
7	A2006182	AIR SCOOP	1	EA	NO LONGER AVAILABLE
8	A2006326	LOWER AIR VENT SINGLE	1	EA	NO LONGER AVAILABLE, Not available online / Call for pricing and availability

UPPER UNIT ASSY - AFTER 3-8-04



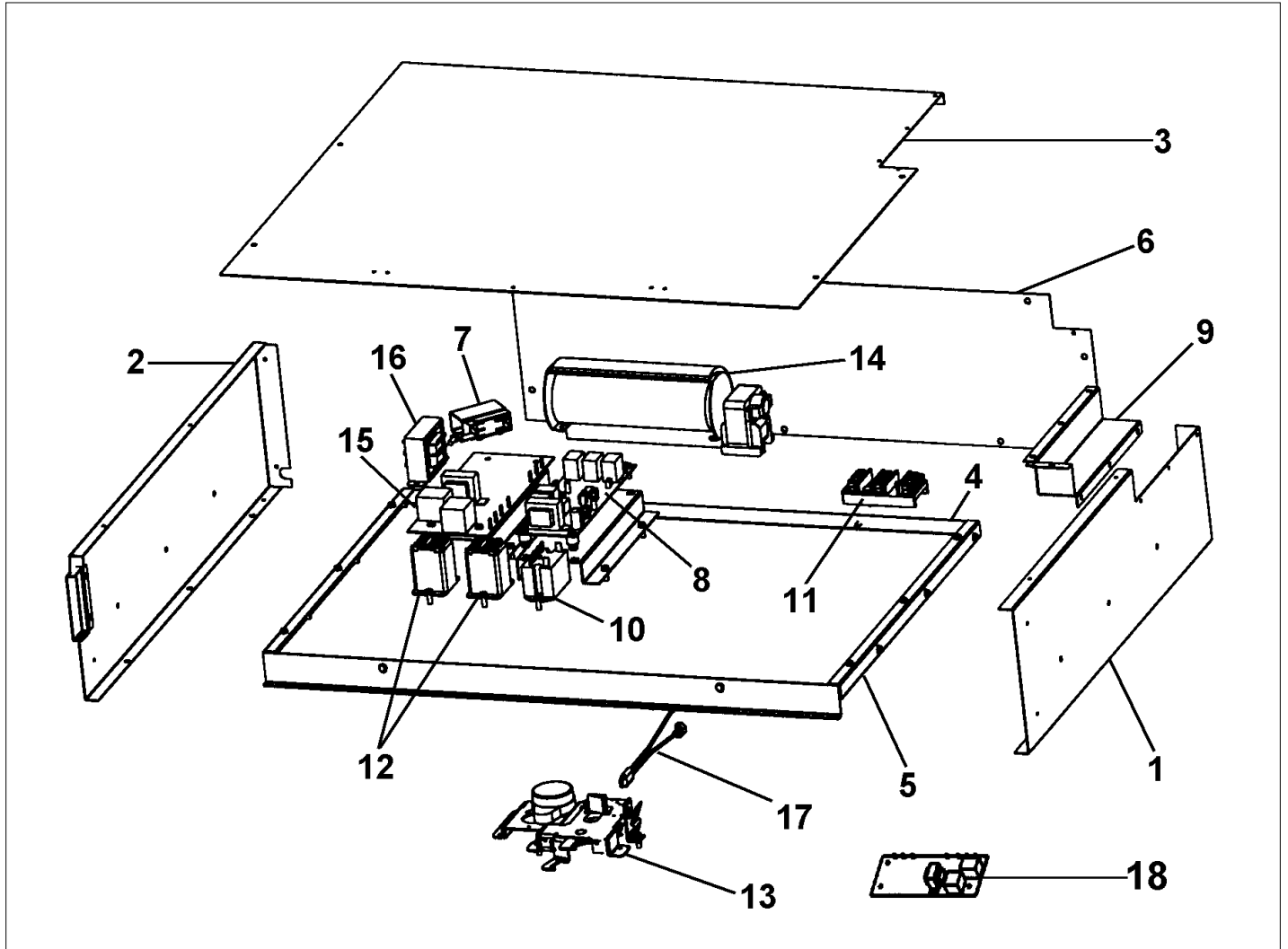


Item	Part No.	Name	Qty	Uom	NOTES
1	A20010562	30" CABINET TOP REAR	1	EA	NO LONGER AVAILABLE, Not available online / Call for pricing and availability
2	A20010580	30" CABINET TOP FRONT	1	EA	NO LONGER AVAILABLE, Not available online / Call for pricing and availability
3	H9107912	30"" CONTROL MNTG. PANEL ASSY	1	EA	NO LONGER AVAILABLE
4	PJ030002	AUTO RESET (SELF-CLEAN) VDSC	1	EA	
5	A2009884	AUTO RESET BRACKET	1	EA	NO LONGER AVAILABLE, Not available online / Call for pricing and availability
6	A2008557	30" TOP REAR COVER	1	EA	NO LONGER AVAILABLE
7	A2008543	TOP CHANNEL	1	EA	NO LONGER AVAILABLE, Not available online / Call for pricing and availability
8	PE050087	BLOWER ASSEMBLY - DESIGNER SERIES	1	EA	
9	A2006183	AIR GUIDE	1	EA	NO LONGER AVAILABLE, Not available online / Call for pricing and availability
10	PE070468	TRANSFORMER HALOGEN LIGHTS REPLACES PE070222	1	EA	
11	PE070786	ELECTRONIC CONTROL BOARD	1	EA	
12	PE070147	TERMINAL BLOCK (VDSC)	1	EA	
13	A2007906	30"" SINGLE CAB. SIDE RH	1	EA	NO LONGER AVAILABLE, Not available online / Call for pricing and availability
14	A2007699	CABINET SIDE LH	1	EA	NO LONGER AVAILABLE, Not available online / Call for pricing and availability



Item	Part No.	Name	Qty	Uom	NOTES
15	A2006109	SELECTOR SWITCH COVER	1	EA	NO LONGER AVAILABLE, Not available online / Call for pricing and availability
16	A10010553	LOCK COVER	1	EA	NO LONGER AVAILABLE, Not available online / Call for pricing and availability
17	A20010554	LOCK BOX	1	EA	NO LONGER AVAILABLE, Not available online / Call for pricing and availability
18	PJ030006	SWITCH (COOLING FAN)	1	EA	
19	A2007276	LIMIT SWITCH BRACKET	1	EA	NO LONGER AVAILABLE, Not available online / Call for pricing and availability
20	PD030062	.250 HI-LIMIT SWITCH CLAMP(VGSC306)	1	EA	
21	PE050059	HI-LIMIT SWITCH	1	EA	
22	PE050112	DOOR LATCH	1	EA	
23	A2007269	TOP INSULATION RETAINER 30"	1	EA	NO LONGER AVAILABLE, Not available online / Call for pricing and availability

UPPER UNIT ASSY - BEFORE 3-8-04



Item	Part No.	Name	Qty	Uom	NOTES
1	A2007906	30"" SINGLE CAB. SIDE RH	1	EA	NO LONGER AVAILABLE, Not available online / Call for pricing and availability
2	A2007699	CABINET SIDE LH	1	EA	NO LONGER AVAILABLE, Not available online / Call for pricing and availability
3	A2007955	30"" SINGLE CABINET TOP	1	EA	NO LONGER AVAILABLE
4	NOT REPLACEABLE	SANDWICH PANEL - TOP	1	EA	
5	NOT REPLACEABLE	SANDWICH PANEL - BOTTOM	1	EA	
6	A2007907	30"" SGL. REAR TOP COVER	1	EA	NO LONGER AVAILABLE, Not available online / Call for pricing and availability
7	PJ030002	AUTO RESET (SELF-CLEAN) VDSC	1	EA	
8	PE070148	SELF-CLEAN BOARD/TIMER (VDSC)	1	EA	
9	A2002966	TOP CHANNEL (VESO105)	1	EA	NO LONGER AVAILABLE, Not available online / Call for pricing and availability
10	PM010129	RELAY	1	EA	
11	PE070147	TERMINAL BLOCK (VDSC)	1	EA	
12	PM010029	RELAY (DOUBLE POLE-DOUBLE THROW)TEM	1	EA	
13	PE050112	DOOR LATCH	1	EA	
14	PE050087	BLOWER ASSEMBLY - DESIGNER SERIES	1	EA	
15	PE070308	PRE-HEAT BOARD	1	EA	
NI	PE070319	DESO PREHEAT HARNESS	1	EA	
16	PE070468	TRANSFORMER HALOGEN LIGHTS REPLACES PE070222	1	EA	
17	PE050059	HI-LIMIT SWITCH	1	EA	
18	PE070308	PRE-HEAT BOARD	1	EA	
Not Shown	NOTE	(DUPLICATE OF ITEM 15)		EA	



Appendix A:Pages Index

CONTROL - RACK ASSEMBLY 1
DOOR ASSEMBLY 2
FLOW CHART NEW BOARD BAKE 3
FLOW CHART NEW BOARD DOOR LOCK 4
FLOW CHART SELF CLEAN 5
FUNCTIONAL PARTS6
OVEN CAVITY ASSEMBLY 7
REAR PANEL 8
UPPER UNIT ASSY - AFTER 3-8-04 9
UPPER UNIT ASSY - BEFORE 3-8-04 10



Appendix B:Parts Index

000623-000	2	A2008557	9
006072-000	2	A2009884	9
A10010553	9	B1007913	2
A1002596	1	B9207251	1
A1006190	8	C9207251BK	1
A1006195	2	C9207251BT	1
A1006196	2	C9207251GG	1
A1007271	7	C9207251SG	1
A20010554	9	C9207251WH	1
A20010562	9	E9107264	7
A20010580	9	G3007286	1
A2002158	7	G3007458	7
A2002595	1	G3007461	7
A2002904	7	G3207273	6, 7
A2002961	7	G3207283BK	2
A2002966	10	G3207283BKBR	2
A2006016	2	G3207283BT	2
A2006048	8	G3207283BTBR	2
A2006100	1	G3207283GG	2
A2006101	1	G3207283GGBR	2
A2006107	7	G3207283SG	2
A2006109	9	G3207283SGBR	2
A2006144	1	G3207283SS	2
A2006182	8	G3207283SSBR	2
A2006183	9	G3207283WH	2
A2006188	8	G3207283WHBR	2
A2006189	8	G4008423	1, 6
A2006323	8	G50010118	2, 2
A2006324	8	G5008293BK	2
A2006326	8	G5008293BT	2
A2007255	1	G5008293GG	2
A2007269	9	G5008293SG	2
A2007276	9	G5008293SS	2
A2007299	7	G5008293WH	2
A2007457	1	G9007612BK	1
A2007699	9, 10	G9007612BT	1
A2007906	9, 10	G9007612GG	1
A2007907	10	G9007612SG	1
A2007955	10	G9007612WH	1
A2008543	9	G9104316	1
		H3006156	2



H3006158	2	PE070319	6, 10
H9106118	7	PE070468	6, 9, 10
H9107912	1, 9	PE070786	9
PA010091PVD	1	PJ010003	1, 6
PA010093	1	PJ010004	6, 7
PA010093PVD	1	PJ030001	1, 6
PA010095	1	PJ030002	6, 9, 10
PA010095PVD	1	PJ030003	1
PA010110	1	PJ030006	1, 6, 9
PA010110PVD	1	PJ030011	1, 6
PA010194	1	PM010014	6, 7
PB010196	1	PM010029	6, 10
PB010196PVD	1	PM010129	6, 10
PB010204	1	PS500033	1, 6
PB010204PVD	1		
PB010221	1		
PB010221PVD	1		
PB020152	7		
PB060030	1		
PB060044	1		
PB070093	2		
PB070094	2		
PC020016	7		
PD020032	2		
PD030062	9		
PE030167	2		
PE030167PVD	2		
PE050005	1, 6		
PE050056	6, 7		
PE050059	6, 9, 10		
PE050073	1, 6		
PE050087	6, 9, 10		
PE050088	1, 6		
PE050112	6, 9, 10		
PE050114	1, 6		
PE050115	1, 6		
PE060057	2		
PE070147	6, 9, 10		
PE070148	6, 10		
PE070308	6, 10, 10		
PE070310	1, 6		