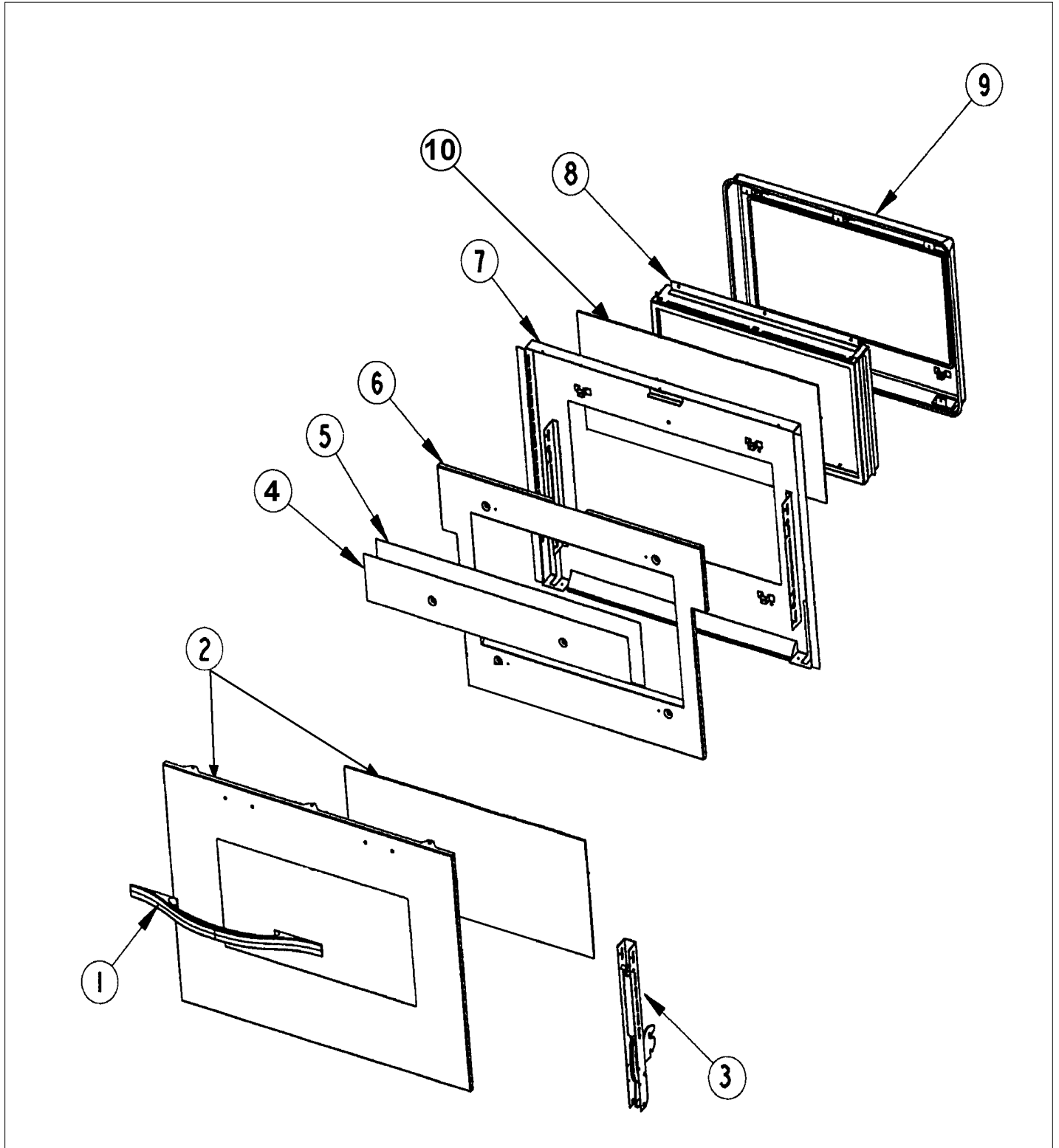


**DESO101**

DOOR ASSY .....	1
FLOW CHART NEW BOARD BAKE .....	2
FLOW CHART SELF CLEAN .....	3
OVEN CAVITY ASSY .....	4
REAR ASSY .....	5
UPPER UNIT ASSY .....	6
Appendix A:Pages Index .....	A
Appendix B:Parts Index .....	B

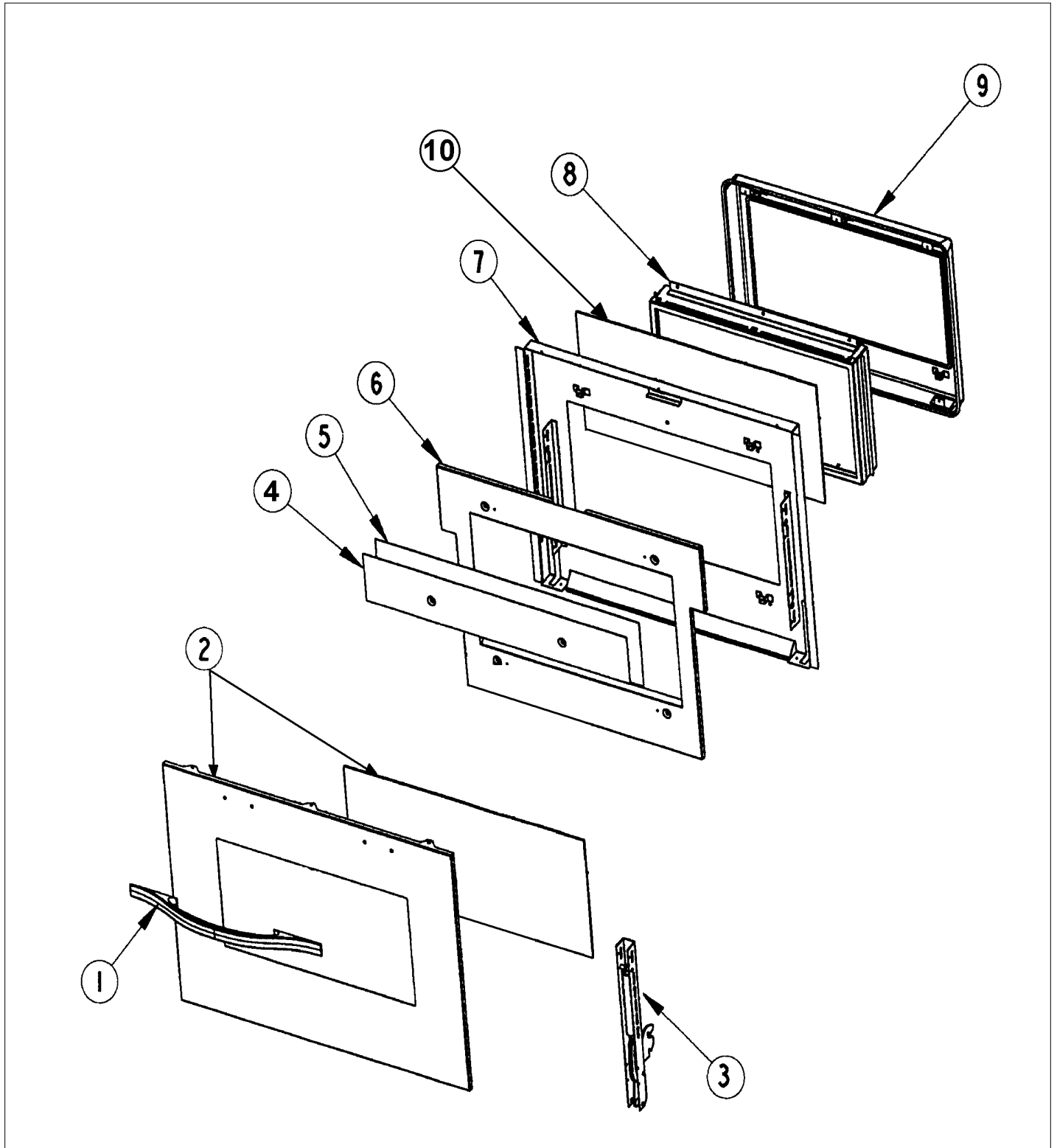


DOOR ASSY



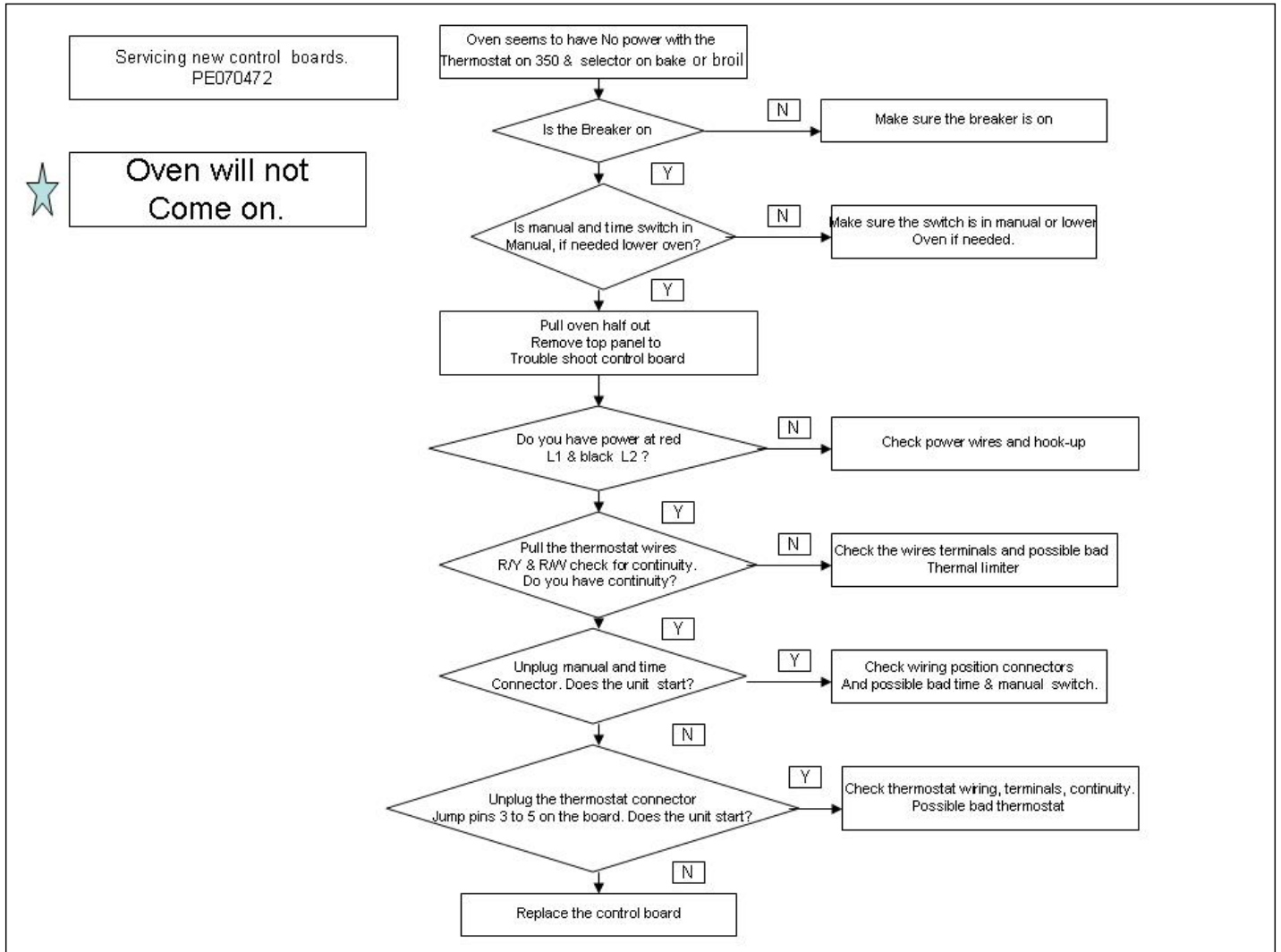


Item	Part No.	Name	Qty	Uom	NOTES
1	PE030167	30" DOOR HANDLE	1	EA	
Not Shown	PE030167PVD	30" DOOR HANDLE PVD	1	EA	NO LONGER AVAILABLE
2	G5008293BK	O/S DOOR SKIN ASSEMBLY (DESIGN)	1	EA	
Not Shown	G5008293BT	O/S DOOR SKIN ASSEMBLY (DESIGN)	1	EA	NO LONGER AVAILABLE
Not Shown	G5008293GG	O/S DOOR SKIN ASSEMBLY (DESIGN)	1	EA	NO LONGER AVAILABLE
Not Shown	G5008293SG	O/S DOOR SKIN ASSEMBLY (DESIGN)	1	EA	
Not Shown	G5008293SS	O/S DOOR SKIN ASSEMBLY (DESIGN)	1	EA	
Not Shown	G5008293WH	O/S DOOR SKIN ASSEMBLY (DESIGN)	1	EA	NO LONGER AVAILABLE
3	006072-000	HINGE, DOOR, ASM, MANSFIELD, DES, GREEN SPRING	1	EA	
<p>Comments for Part Num. 006072-000</p> <p>bradleysapplianceservice@shaw.ca on Sep 13, 2017</p> <p>SUBS TO: 006072-000 OVEN DOOR HINGE - GREEN SPRING</p>					
4	A1006196	OUTER DOOR HEAT SHIELD 30	1	EA	Not available online / Call for pricing and availability
5	A1006195	INNER DOOR HEAT SHIELD 30	1	EA	
6	A2006016	30 INCH DESIGNER DOOR INSULATION	1	EA	Not available online / Call for pricing and availability
7	G50010118	DESO100/105/DEDO200/205 DR LINER SVC-KIT	1	EA	
8	PE060080	GLASS PACK 30"	1	EA	
9	G50010118	DESO100/105/DEDO200/205 DR LINER SVC-KIT	1	EA	
NI	000623-000	DOOR GASKET(3/8"DIA.) (VDSC)	1	EA	
10	PE060057	30" GLASS PACK GLASS H.T.	1	EA	
NI	PB070093	BOARD INSULATION 30"	1	EA	
NI	G3207970BK	DOOR ASSY *BK* (DEDO200/DESO100)	1	EA	NO LONGER AVAILABLE



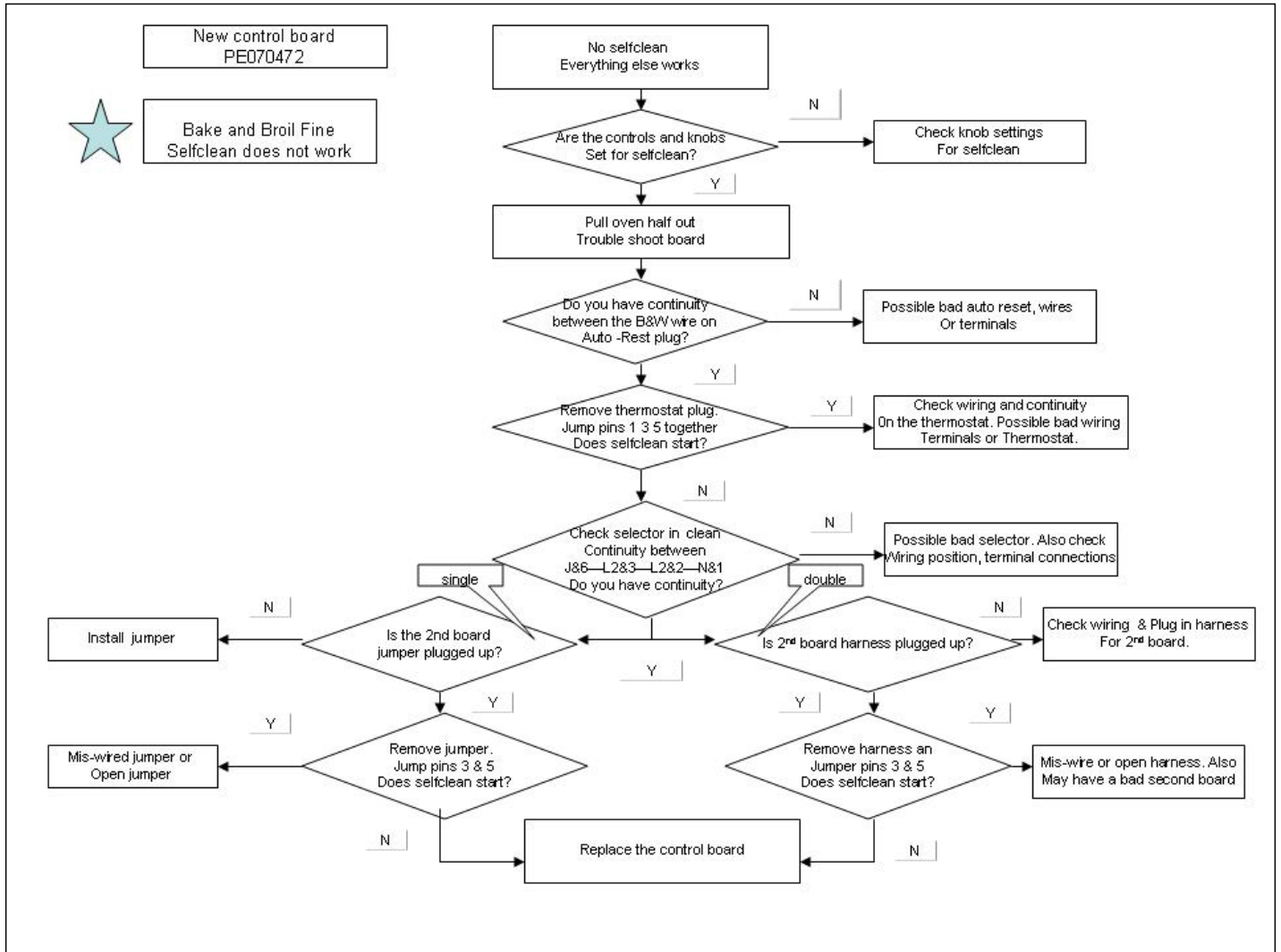
Item	Part No.	Name	Qty	Uom	NOTES
Not Shown	G3207970BKBR	DOOR ASSY *BK*BR* (DEDO200/DESO100)	1	EA	NO LONGER AVAILABLE, Not available online / Call for pricing and availability
Not Shown	G3207970BT	DOOR ASSY *BT* (DEDO200/DESO100)	1	EA	NO LONGER AVAILABLE, Not available online / Call for pricing and availability
Not Shown	G3207970BTBR	DOOR ASSY *BT*BR (DEDO200/DESO100)	1	EA	NO LONGER AVAILABLE, Not available online / Call for pricing and availability
Not Shown	G3207970GG	DOOR ASSY *GG* (DEDO200/DESO100)	1	EA	NO LONGER AVAILABLE, Not available online / Call for pricing and availability
Not Shown	G3207970GGBR	DOOR ASSY *GG*BR* (DEDO200/DESO100)	1	EA	NO LONGER AVAILABLE, Not available online / Call for pricing and availability
Not Shown	G3207970SG	DOOR ASSY *SG* (DEDO200/DESO100)	1	EA	NO LONGER AVAILABLE
Not Shown	G3207970SGBR	DOOR ASSY *SG*BR* (DEDO200/DESO100)	1	EA	NO LONGER AVAILABLE, Not available online / Call for pricing and availability
Not Shown	G3207970SS	DOOR ASSY *SS* (DEDO200/DESO100)	1	EA	
Not Shown	G3207970SSBR	DOOR ASSY *SS*BR* (DEDO200/DESO100)	1	EA	NO LONGER AVAILABLE, Not available online / Call for pricing and availability
Not Shown	G3207970WH	DOOR ASSY *WH* (DEDO200/DESO100)	1	EA	NO LONGER AVAILABLE, Not available online / Call for pricing and availability
Not Shown	G3207970WHBR	DOOR ASSY *WH*BR* (DEDO200/DESO100)	1	EA	NO LONGER AVAILABLE, Not available online / Call for pricing and availability
NI	PD020032	SRW-8(A)X3/8"PH.WFR HD 7/16DIA*NICL	1	EA	
NI	B1007913	HINGE CLIP (DESIGNER TIME PIECE)	1	EA	

## FLOW CHART NEW BOARD BAKE

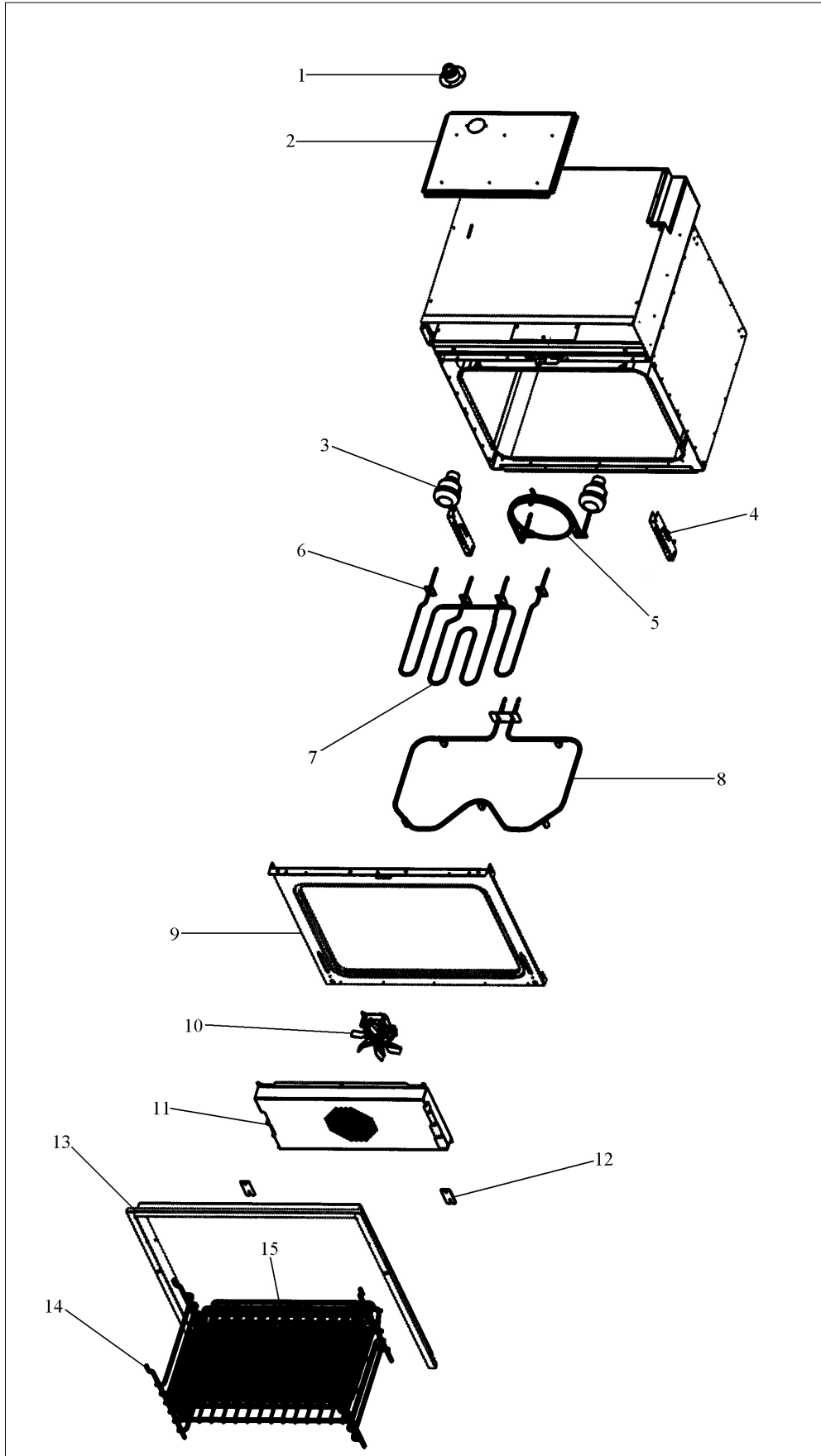




## FLOW CHART SELF CLEAN

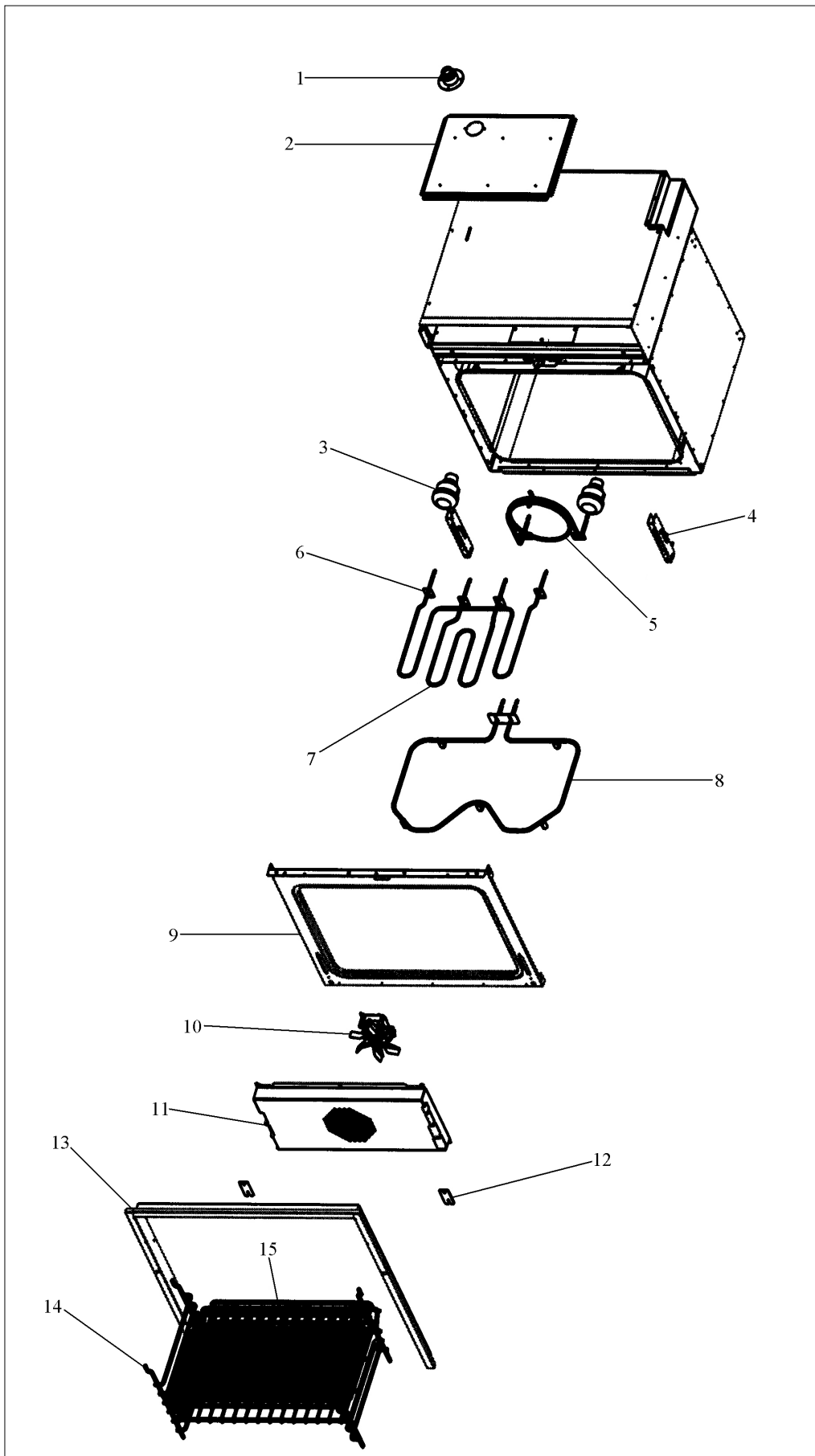


OVEN CAVITY ASSY





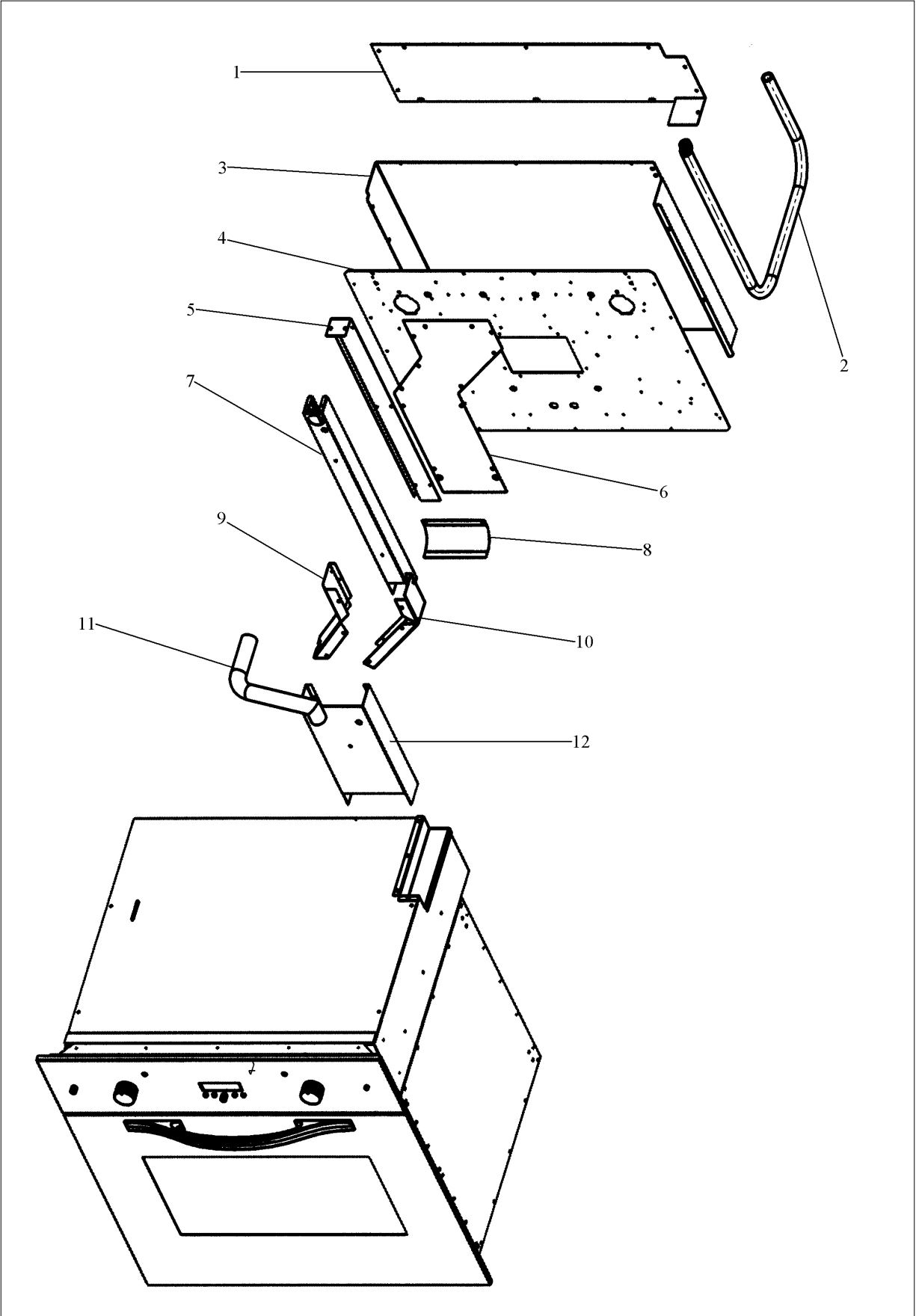
Item	Part No.	Name	Qty	Uom	NOTES
1	PM010014	SMOKE ELIMINATOR (VDSC)	1	EA	
2	B2002167	BROILER TOP (VDSC)	1	EA	NO LONGER AVAILABLE
3	PE050009	Oven Light Socket	1	EA	
4	PC020016	HINGE RECEIVER (VEDO/VEDO)	1	EA	
5	PJ010003	CONVECTION ELEMENT (VDSC) 240V	1	EA	
6	PJ010002	BROIL ELEMENT(MAXI)-SIDE (VDSC)240V	1	EA	
7	PJ010001	BROIL ELEMENT 240V	1	EA	
8	PJ010004	BAKE ELEMENT (VDSC) 240V	1	EA	
9	H9106118	30 INCH DESIGNER F.F. ASSEMBLY	1	EA	NO LONGER AVAILABLE
10	PE050005	CONVECTION FAN ASSY	1	EA	
11	E9102170	CONVECTION FAN COVER	1	EA	
12	B1007913	HINGE CLIP (DESIGNER TIME PIECE)	1	EA	
13	G3007286	DESO100/105 TRIM ASSY	1	EA	NO LONGER AVAILABLE
Not Shown	G9007612BK	SUB TO G90012652BK - DESO100/105 TRIM ASSY *BK*	1	EA	NO LONGER AVAILABLE, Not available online / Call for pricing and availability
Not Shown	G9007612BT	SUB TO G90012652BT - DESO100/105 TRIM ASSY *BT*	1	EA	NO LONGER AVAILABLE, Not available online / Call for pricing and availability
Not Shown	G9007612GG	SUB TO G90012652GG - DESO100/105 TRIM ASSY *GG*	1	EA	NO LONGER AVAILABLE, Not available online / Call for pricing and availability
Not Shown	G9007612SG	SUB TO G90012652SG - DESO100/105 TRIM ASSY *SG*	1	EA	NO LONGER AVAILABLE, Not available online / Call for pricing and availability
Not Shown	G9007612WH	SUB TO G90012652WH - DESO100/105 TRIM ASSY *WH*	1	EA	NO LONGER AVAILABLE, Not available online / Call for pricing and availability
14	PB060030	RACK SUPT REPL PB060010	1	EA	





Item	Part No.	Name	Qty	Uom	NOTES
15	PB060044	OVEN RK VDSC30/48RH REPL PB060019	1	EA	

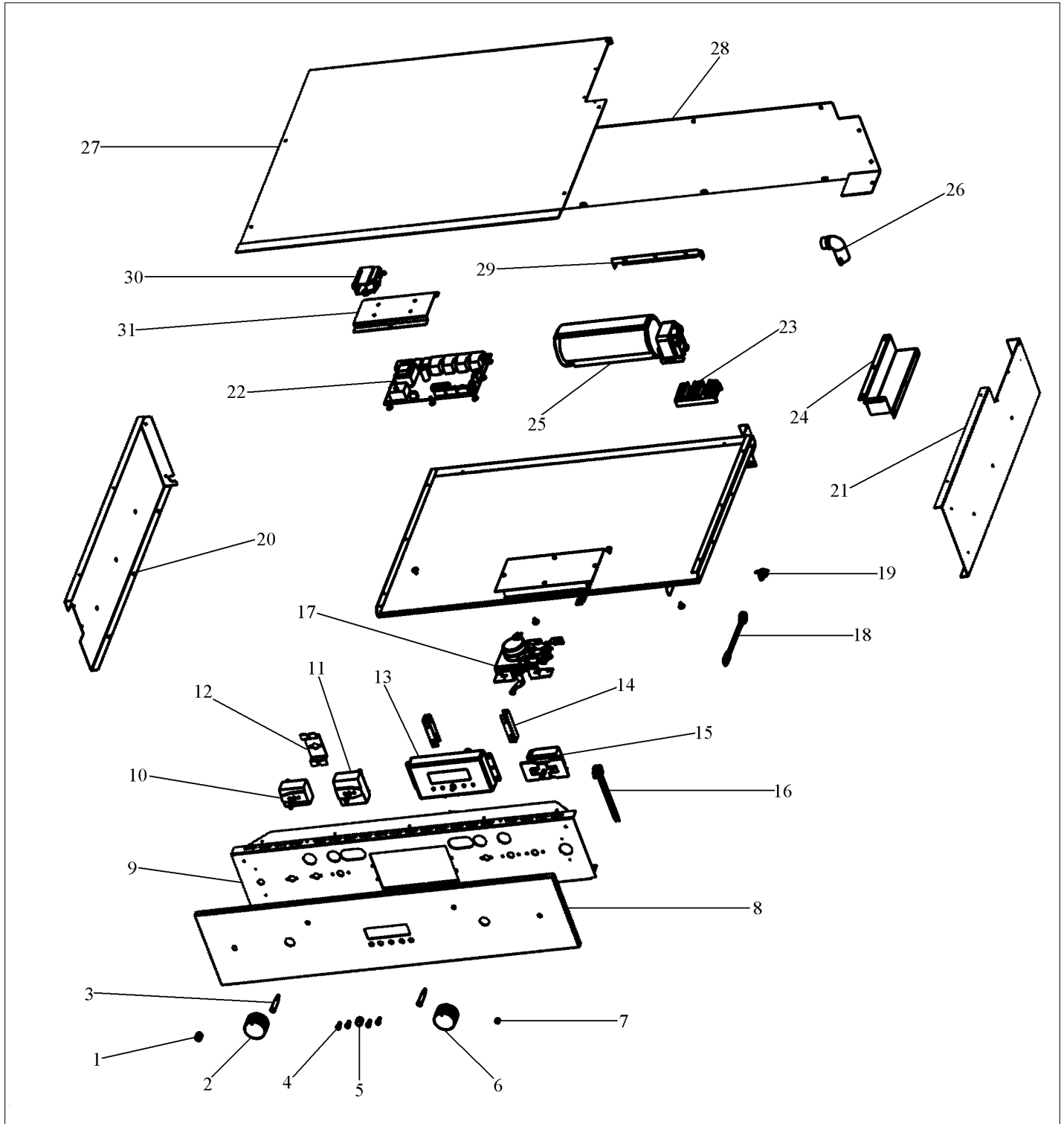
REAR ASSY





Item	Part No.	Name	Qty	Uom	NOTES
1	A2007907	30"" SGL. REAR TOP COVER	1	EA	NO LONGER AVAILABLE, Not available online / Call for pricing and availability
2	PB020071	CONDUIT - FLEXIBLE (48")	1	EA	
3	A2008581	30" UPPER OUTER BACK	1	EA	NO LONGER AVAILABLE, Not available online / Call for pricing and availability
4	A1002905	BACK INSULATION RETAINER - VESO/VEDO	1	EA	NO LONGER AVAILABLE, Not available online / Call for pricing and availability
5	A2006189	SINGLE OVEN FLUE COVER	1	EA	NO LONGER AVAILABLE, Not available online / Call for pricing and availability
6	A1006190	SINGLE OVEN COVER PLATE	1	EA	NO LONGER AVAILABLE, Not available online / Call for pricing and availability
7	A2006188	SINGLE OVEN FLUE	1	EA	NO LONGER AVAILABLE, Not available online / Call for pricing and availability
8	A2006182	AIR SCOOP	1	EA	NO LONGER AVAILABLE
9	A2006324	VENT SIDE LH	1	EA	NO LONGER AVAILABLE, Not available online / Call for pricing and availability
10	A2006323	VENT SIDE RH	1	EA	NO LONGER AVAILABLE, Not available online / Call for pricing and availability
11	PB020117	DESIGNER OVEN VENT	1	EA	NO LONGER AVAILABLE
12	A2006326	LOWER AIR VENT SINGLE	1	EA	NO LONGER AVAILABLE, Not available online / Call for pricing and availability

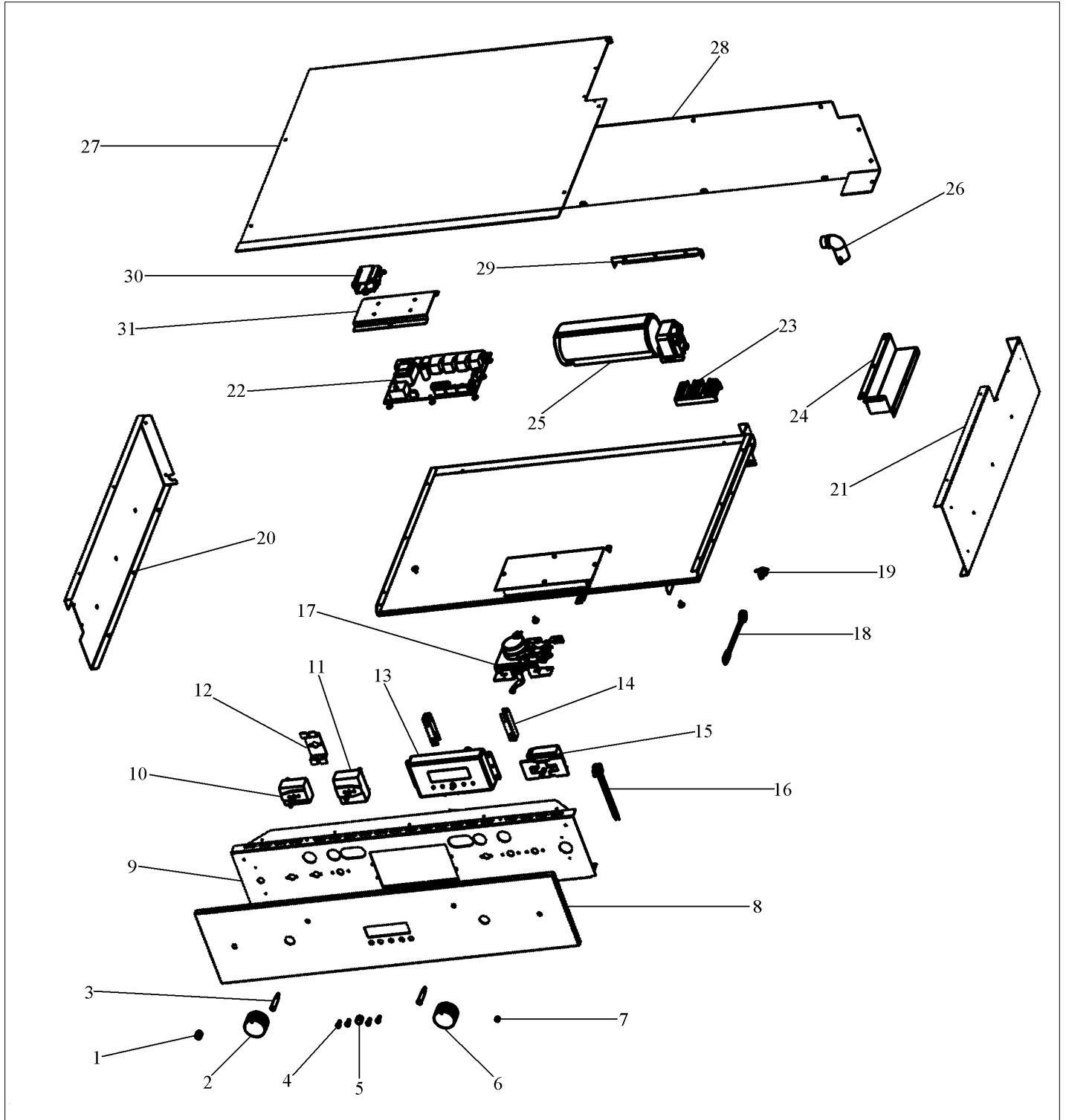
UPPER UNIT ASSY



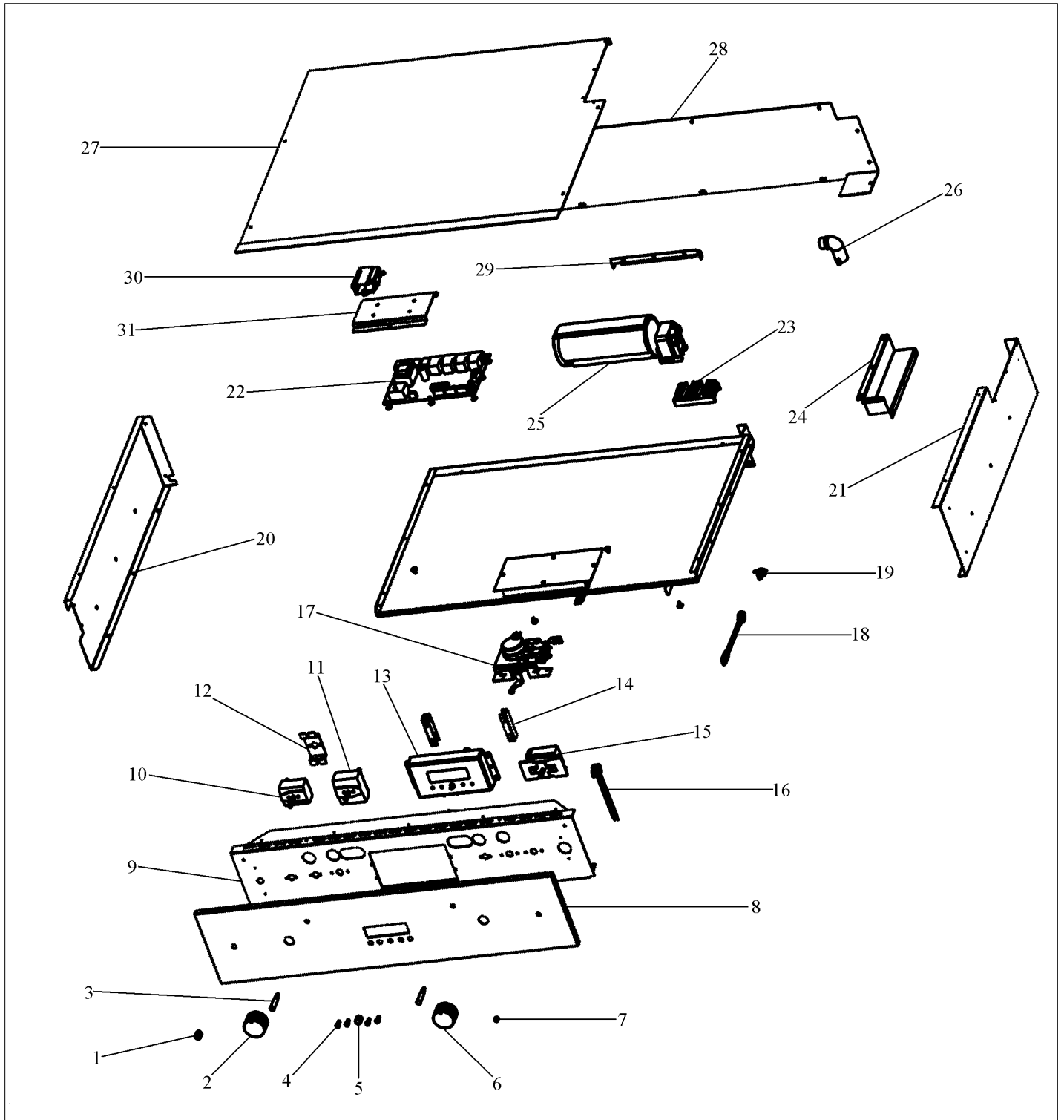




Item	Part No.	Name	Qty	Uom	NOTES
1	PA010110	DESIGNER OVEN SELECTOR KNOB REPL PA010092	1	EA	
Not Shown	PA010110PVD	DESIGNER OVEN SELECTOR KNOB-BRASS	1	EA	NO LONGER AVAILABLE
2	PA010194	DES. SELECTOR/THERMOSTAT KNOB	1	EA	
Not Shown	PA010095	DESIGNER SELECTOR KNOB - GRAY	1	EA	
Not Shown	PA010091PVD	DESIGNER SELECTOR KNOB - BR	1	EA	
Not Shown	PA010095PVD	DESIGNER SELECTOR KNOB- BR/GRAY	1	EA	
3	PE050073	DESIGNER INDICATOR LT	1	EA	
4	PB010269	CLOCK BUTTON	1	EA	NO LONGER AVAILABLE
5	PB010222	DESIGNER BIT GENERATOR KNOB	1	EA	
Not Shown	PB010222PVD	DESIGNER BIT GENERATOR KNOB-BRASS	1	EA	NO LONGER AVAILABLE
6	PB010196	DESIGNER THERMOSTAT KNOB	1	EA	
Not Shown	PB010204	DESIGNER THERMOSTAT KNOB - GRAY	1	EA	
Not Shown	PB010196PVD	DESIGNER THERMOSTAT KNOB W/BRASS	1	EA	
Not Shown	PB010204PVD	DESIGNER THERMOSTAT KNOB -BR/GRAY	1	EA	
7	PA010093	DESIGNER OVEN LT SWITCH KNOB	1	EA	
Not Shown	PA010093PVD	DESIGNER OVEN LT SWITCH KNOB-BRASS	1	EA	
8	B92010129	CONTROL PANEL 30 SGL	1	EA	
Not Shown	C92010129BK	CTRL PANEL 30 SGL *BK* SLK. SC.	1	EA	NO LONGER AVAILABLE, Not available online / Call for pricing and availability
Not Shown	C92010129WH	CTRL PANEL 30 SGL *WH* SLK. SC.	1	EA	NO LONGER AVAILABLE, Not available online / Call for pricing and availability
9	H91010134	CONTROL PANEL MTG ASSY 30"	1	EA	NO LONGER AVAILABLE



Item	Part No.	Name	Qty	Uom	NOTES
10	PJ030011	SWITCH (2-POSITION) VESO105	1	EA	
11	PJ030001	SELECTOR SWITCH (8- POSITION) VDSC	1	EA	
12	A2006100	THREE POSITION SELECTOR BRKT	1	EA	
13	PE050213	PRO 120V DIGITAL CLOCK	1	EA	
14	A20010135	CLOCK MOUNTING BRACKET	1	EA	NO LONGER AVAILABLE
15	PS500033	SUB TO PS500033 - SELF CLEAN THERMOSTAT	1	EA	
16	G40015469	LIGHT SWITCH ASSEMBLY	1	EA	
17	PE050112	DOOR LATCH	1	EA	
18	PE050059	HI-LIMIT SWITCH	1	EA	
19	PJ030006	SWITCH (COOLING FAN)	1	EA	
20	A2007699	CABINET SIDE LH	1	EA	NO LONGER AVAILABLE, Not available online / Call for pricing and availability
21	A2007906	30"" SINGLE CAB. SIDE RH	1	EA	NO LONGER AVAILABLE, Not available online / Call for pricing and availability
22	PE070786	ELECTRONIC CONTROL BOARD	1	EA	
23	PE070147	TERMINAL BLOCK (VDSC)	1	EA	
24	A2002966	TOP CHANNEL (VESO105)	1	EA	NO LONGER AVAILABLE, Not available online / Call for pricing and availability
25	PE050087	BLOWER ASSEMBLY - DESIGNER SERIES	1	EA	
26	PB040070	CONDUIT FITTING (90 DEG)	1	EA	
27	A2007955	30"" SINGLE CABINET TOP	1	EA	NO LONGER AVAILABLE
28	A2007907	30"" SGL. REAR TOP COVER	1	EA	NO LONGER AVAILABLE, Not available online / Call for pricing and availability





Item	Part No.	Name	Qty	Uom	NOTES
29	A2006048	FAN MOUNTING BRACKET	1	EA	NO LONGER AVAILABLE, Not available online / Call for pricing and availability
30	PJ030002	AUTO RESET (SELF-CLEAN) VDSC	1	EA	
31	A2009884	AUTO RESET BRACKET	1	EA	NO LONGER AVAILABLE, Not available online / Call for pricing and availability



Appendix A:Pages Index

DOOR ASSY ..... 1  
FLOW CHART NEW BOARD BAKE ..... 2  
FLOW CHART SELF CLEAN ..... 3  
OVEN CAVITY ASSY ..... 4  
REAR ASSY ..... 5  
UPPER UNIT ASSY ..... 6



Appendix B:Parts Index

000623-000	1	G3207970WH	1
006072-000	1	G3207970WHBR	1
A1002905	5	G40015469	6
A1006190	5	G50010118	1, 1
A1006195	1	G5008293BK	1
A1006196	1	G5008293BT	1
A20010135	6	G5008293GG	1
A2002966	6	G5008293SG	1
A2006016	1	G5008293SS	1
A2006048	6	G5008293WH	1
A2006100	6	G9007612BK	4
A2006182	5	G9007612BT	4
A2006188	5	G9007612GG	4
A2006189	5	G9007612SG	4
A2006323	5	G9007612WH	4
A2006324	5	H91010134	6
A2006326	5	H9106118	4
A2007699	6	PA010091PVD	6
A2007906	6	PA010093	6
A2007907	5, 6	PA010093PVD	6
A2007955	6	PA010095	6
A2008581	5	PA010095PVD	6
A2009884	6	PA010110	6
B1007913	1, 4	PA010110PVD	6
B2002167	4	PA010194	6
B92010129	6	PB010196	6
C92010129BK	6	PB010196PVD	6
C92010129WH	6	PB010204	6
E9102170	4	PB010204PVD	6
G3007286	4	PB010222	6
G3207970BK	1	PB010222PVD	6
G3207970BKBR	1	PB010269	6
G3207970BT	1	PB020071	5
G3207970BTBR	1	PB020117	5
G3207970GG	1	PB040070	6
G3207970GGBR	1	PB060030	4
G3207970SG	1	PB060044	4
G3207970SGBR	1	PB070093	1
G3207970SS	1	PC020016	4
G3207970SSBR	1	PD020032	1
		PE030167	1



PE030167PVD ..... 1  
PE050005 ..... 4  
PE050009 ..... 4  
PE050059 ..... 6  
PE050073 ..... 6  
PE050087 ..... 6  
PE050112 ..... 6  
PE050213 ..... 6  
PE060057 ..... 1  
PE060080 ..... 1  
PE070147 ..... 6  
PE070786 ..... 6  
PJ010001 ..... 4  
PJ010002 ..... 4  
PJ010003 ..... 4  
PJ010004 ..... 4  
PJ030001 ..... 6  
PJ030002 ..... 6  
PJ030006 ..... 6  
PJ030011 ..... 6  
PM010014 ..... 4  
PS500033 ..... 6