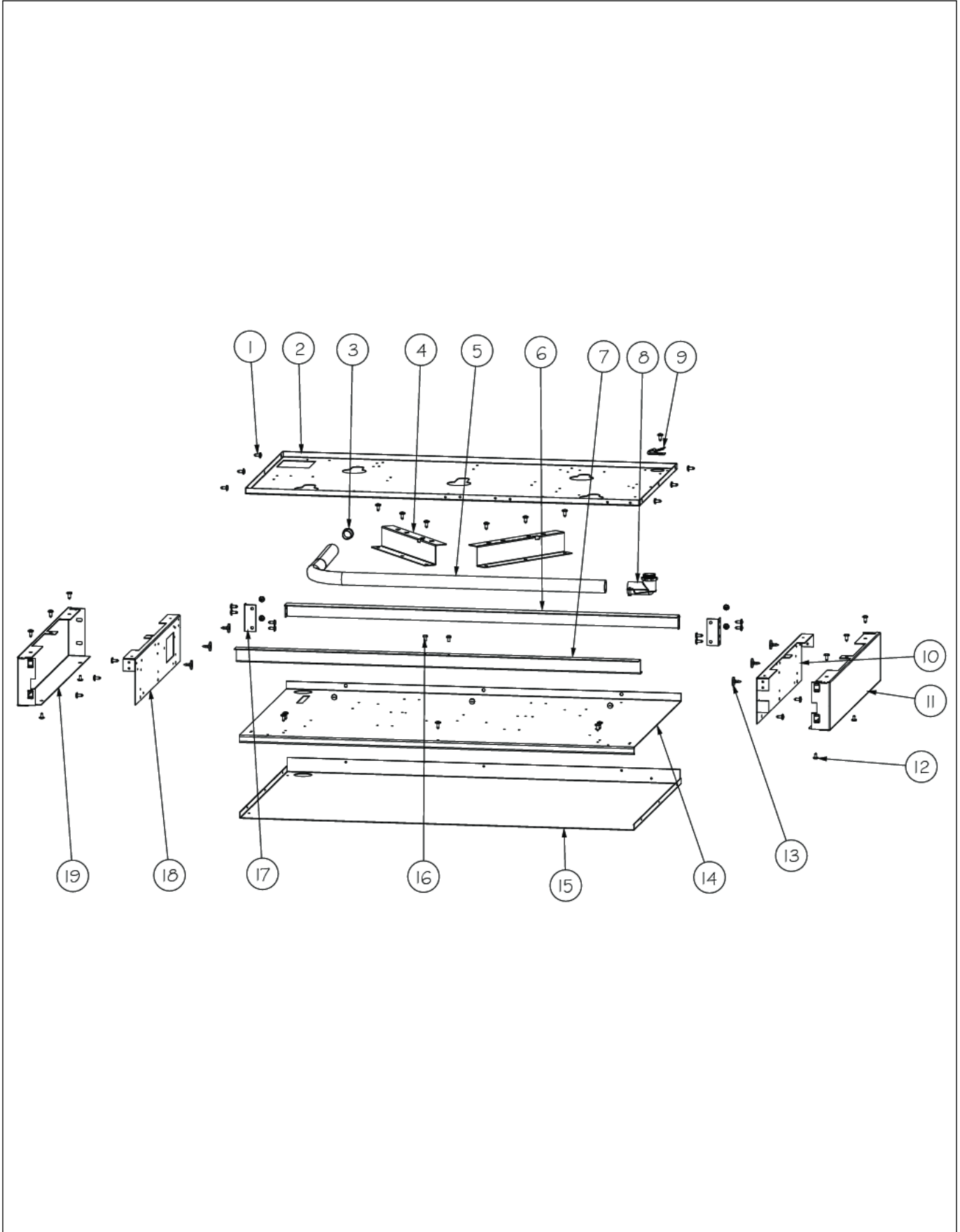


DEPT362-5B

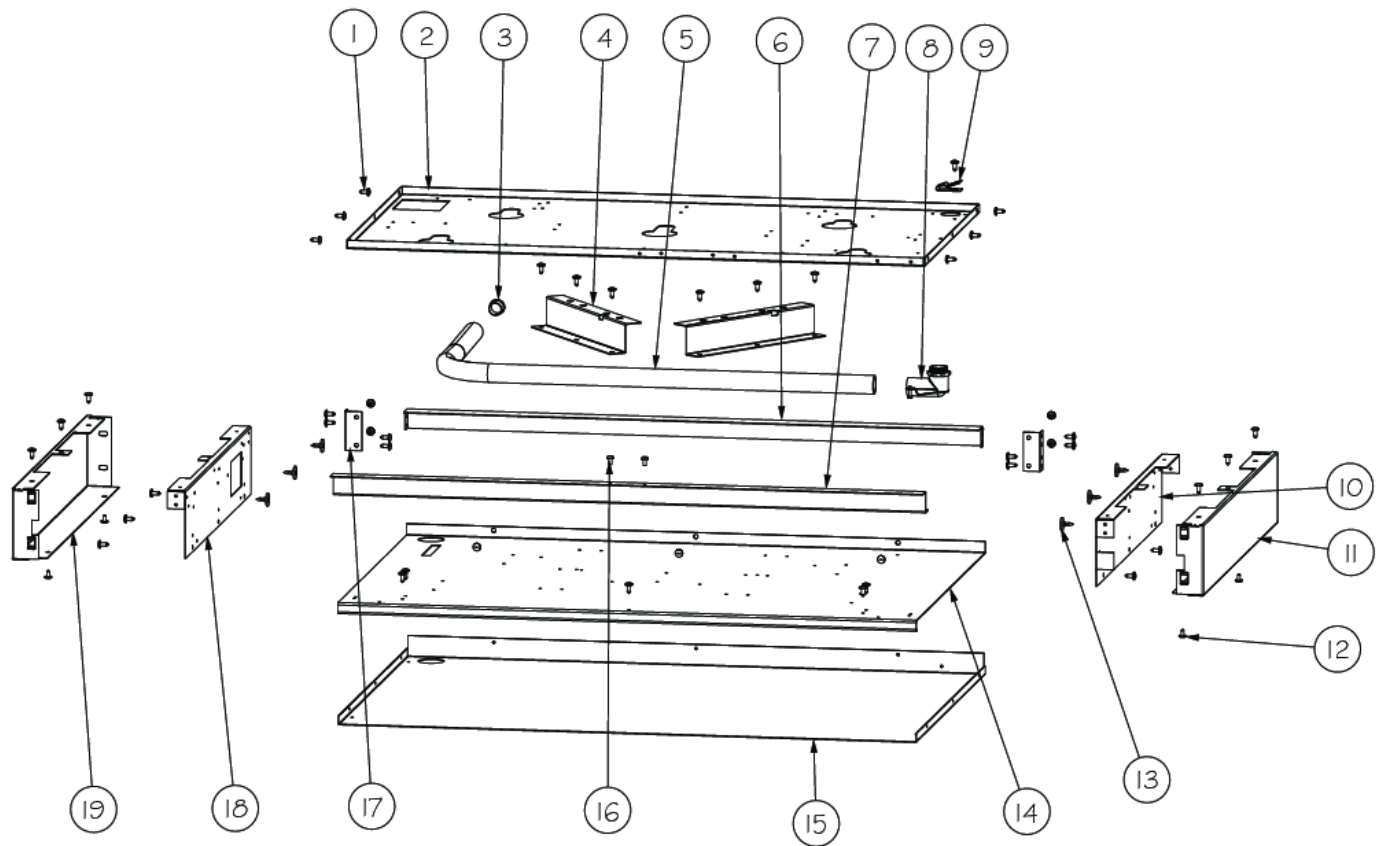
BURNER BOX ASSY	1
CONTROL AREA	2
ISLAND TRIM ASSEMBLY	3
SURFACE BURNER AREA	4
Appendix A:Pages Index	A
Appendix B:Parts Index	B

BURNER BOX ASSY





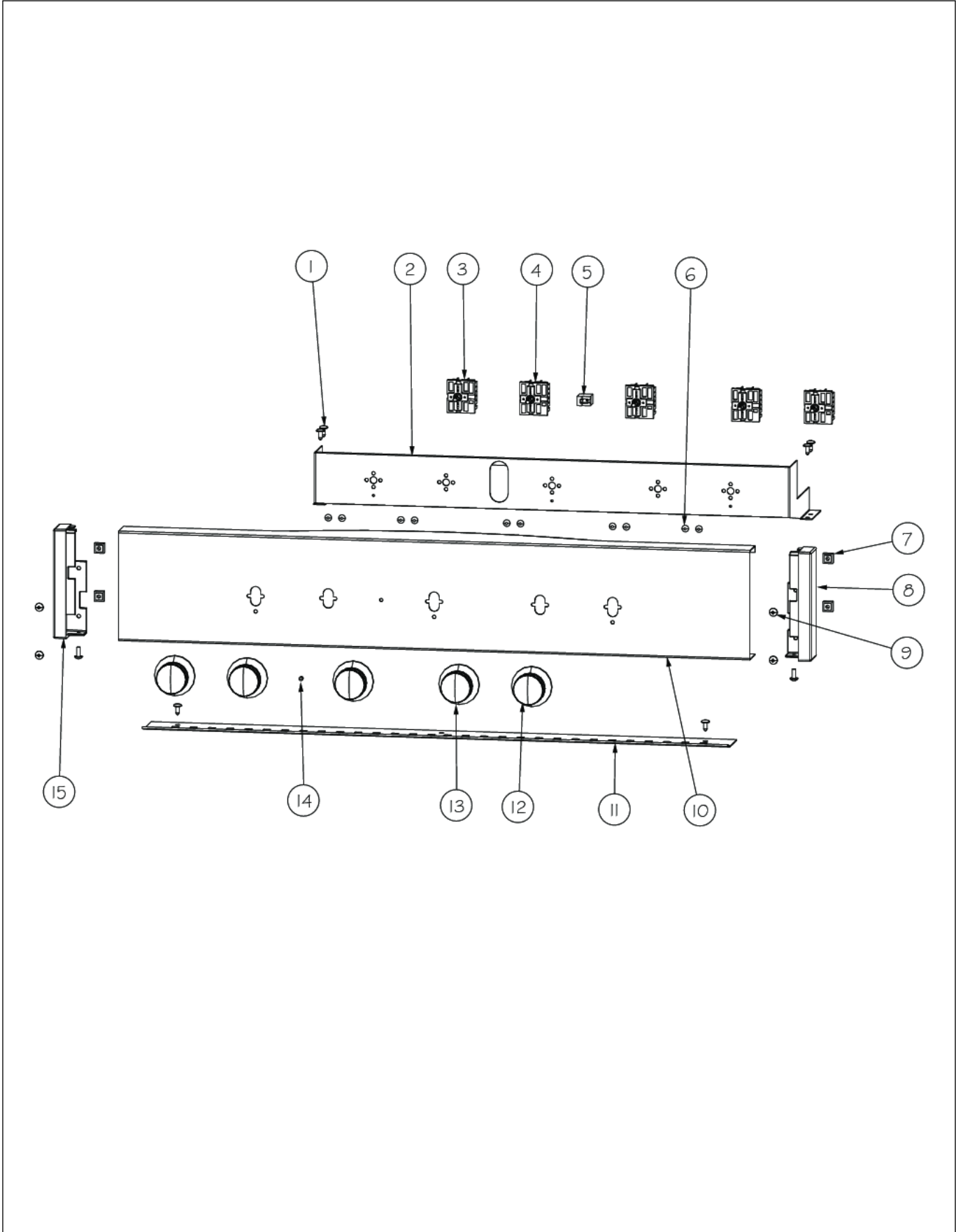
Item	Part No.	Name	Qty	Uom	NOTES
1	PD020002	10 X 1/2 PH.TR.HD.SMS.	42	EA	
2	A20011265	BURNER PAN SUPPORT	1	EA	
3	PD040131	CONDUIT GROMMET (3/4")	1	EA	NO LONGER AVAILABLE, Not available online / Call for pricing and availability
4	A20013839	ELEMENT SUPPORT BRACE	2	EA	NO LONGER AVAILABLE, Not available online / Call for pricing and availability
5	PB020259	3/4" CONDUIT	1	EA	NO LONGER AVAILABLE, Not available online / Call for pricing and availability
6	A20016224	DERT361 REAR TOP SUPPORT	1	EA	NO LONGER AVAILABLE, Not available online / Call for pricing and availability
7	A20016223	DERT361 FRONT TOP SUPPORT	1	EA	NO LONGER AVAILABLE, Not available online / Call for pricing and availability
8	PB040259	90 DEG. 3/4" CONDUIT FITTING	1	EA	NO LONGER AVAILABLE, Not available online / Call for pricing and availability
9	PD030062	.250 HI-LIMIT SWITCH CLAMP(VGSC306)	1	EA	
10	A20011268	BURNER BOX SIDE, RH	1	EA	
11	B20011272	SIDE PANEL, RH	1	EA	NO LONGER AVAILABLE, Not available online / Call for pricing and availability
12	PD020032	SRW-8(A)X3/8"PH.WFR HD 7/16DIA*NICL	4	EA	
13	014143-000	SCR 10-12 A SHLD TRP 1/2 S ZN BLUE	6	EA	
14	A20014534	36" BOTTOM INS PANEL	1	EA	NO LONGER AVAILABLE, Not available online / Call for pricing and availability





Item	Part No.	Name	Qty	Uom	NOTES
15	A20014533	36" BURNER BOX BOTTOM	1	EA	NO LONGER AVAILABLE, Not available online / Call for pricing and availability
16	PD020004	10X3/8PH.HD.TYPE 25 REPL PD040125	2	EA	
17	A20013830	GLASS TRAY SIDE BRACKET	1	EA	NO LONGER AVAILABLE, Not available online / Call for pricing and availability
18	A20011267	BURNER BOX SIDE, LH	1	EA	
19	B20011271	SIDE PANEL, LH	1	EA	

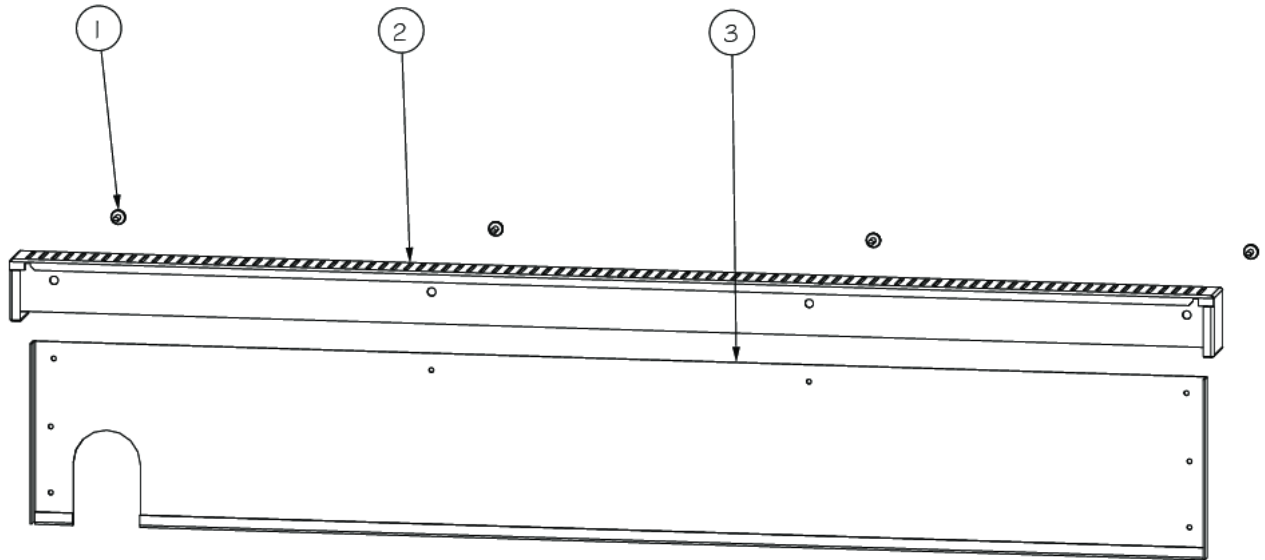
CONTROL AREA





Item	Part No.	Name	Qty	Uom	NOTES
1	PD020002	10 X 1/2 PH.TR.HD.SMS.	6	EA	
2	A20015497	SWITCH MOUNTING PLATE - 36"	1	EA	NO LONGER AVAILABLE, Not available online / Call for pricing and availability
3	PJ030049	SINGLE INFINITE SWITCH	2	EA	
4	G50013539	PJ030028 INFINITE SWITCH SERVICE KIT	3	EA	
5	017582-000	LIGHT HOUSING, BLUE NEON	1	EA	
6	PD020044	#8-32 X 1/4" PH. TR. HD. M.S.	10	EA	
7	PD030005	SELF RETAINING NUT	3	EA	
8	PE030141	CONTROL PANEL END CAP, RH DGRT	1	EA	Not available online / Call for pricing and availability
9	PD010003	10-24 X 1/2 PH.TR.HD.SERD.M.S.	6	EA	
10	016767-000	CONTROL PANEL-DERT362-5B W/GRAPHICS	1	EA	Not available online / Call for pricing and availability
11	A20013836	FINGER SHIELD, 36"	1	EA	NO LONGER AVAILABLE, Not available online / Call for pricing and availability
12	PA010207	KNOB-CHROME W/BLACK SLEEVE	2	EA	NO LONGER AVAILABLE
13	PA010209	KNOB - CHROME/BLK/DUAL INF.	3	EA	NO LONGER AVAILABLE
14	017579-000	LENS, BLUE	1	EA	
15	PE030140	CONTROL PANEL END CAP, LH DGRT	1	EA	Not available online / Call for pricing and availability

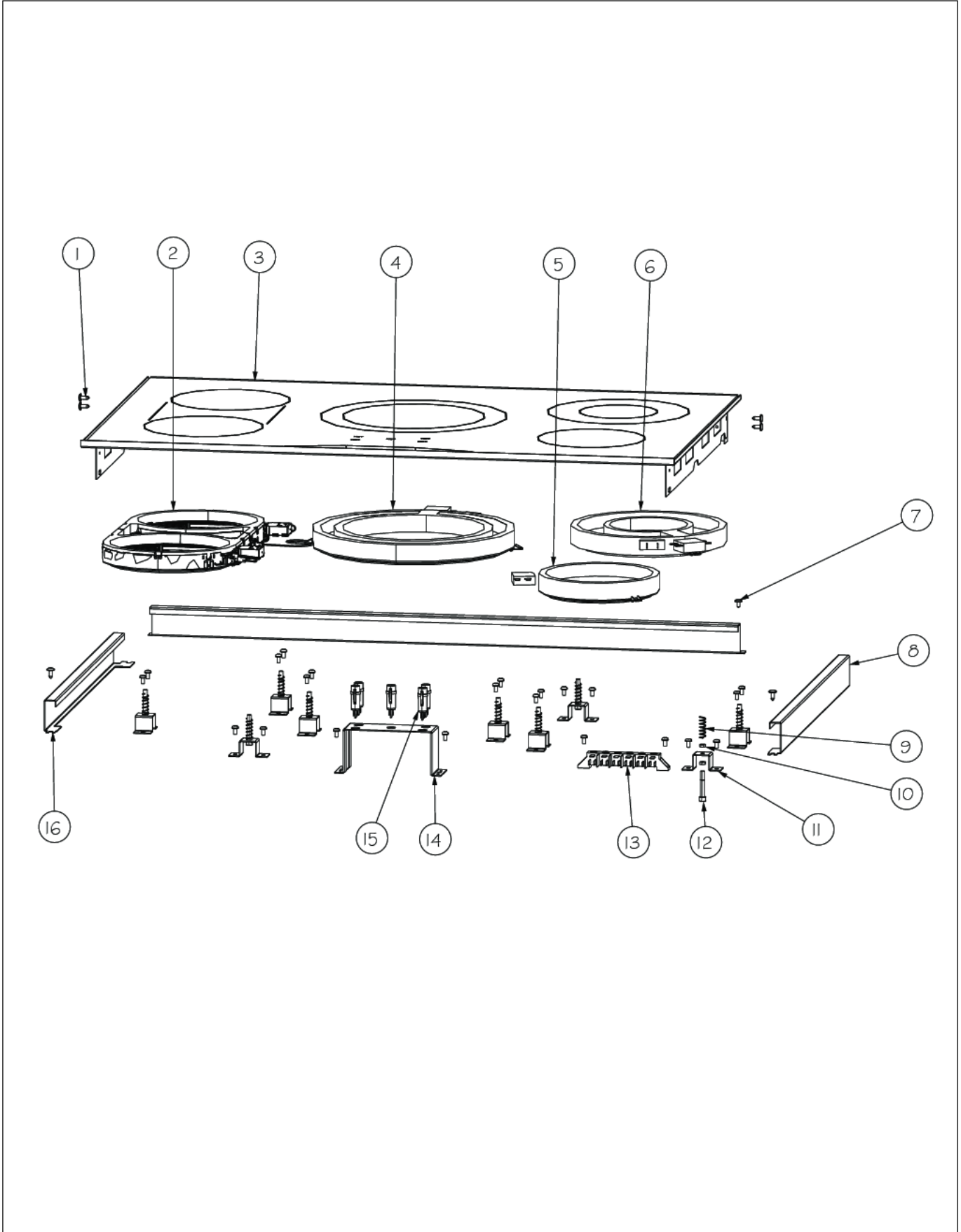
ISLAND TRIM ASSEMBLY





Item	Part No.	Name	Qty	Uom	NOTES
1	PD020046	#8 X 1/2 SCREWS	4	EA	
2	B30011275	ISLAND TRIM TOP	1	EA	Not available online / Call for pricing and availability
3	A20011279	ISLAND TRIM, BACK, 36"	1	EA	

SURFACE BURNER AREA





Item	Part No.	Name	Qty	Uom	NOTES
1	PD020002	10 X 1/2 PH.TR.HD.SMS.	4	EA	
2	PJ020004	ELEMENT-(2)1800 X 800	1	EA	
3	PE040310	DERT 360-GLASS-BLACK	1	EA	NO LONGER AVAILABLE, Not available online / Call for pricing and availability
4	PJ020015	12" 2700/1400W DUAL ZONE ELEMENT	1	EA	
5	PJ020003	ELEMENT	1	EA	
6	PJ020002	ELEMENT 2200 (750)	1	EA	
7	PD020032	SRW-8(A)X3/8"PH.WFR HD 7/16DIA*NICL	2	EA	
8	B20011270	SIDE TRIM, RH	1	EA	
9	PC010006	GUIDE SPRING DESU	9	EA	
10	PD040056	ELEMENT STUD NUT	9	EA	NO LONGER AVAILABLE
11	A20014957	GUIDE MOUNTING BRACKET	9	EA	
12	PD010148	ELEMENT STUD	9	EA	
13	054135-000	BLOCK, TERMINAL, 6-POLE (Heyco # 9454)	1	EA	
14	A2005726	DECU36 LIGHT HOLDER	1	EA	
15	PE050113	DECU INDICATOR LIGHT (SP-2185-BDPS)	5	EA	
16	B20011269	SIDE TRIM, LH	1	EA	



Appendix A:Pages Index

BURNER BOX ASSY 1
CONTROL AREA 2
ISLAND TRIM ASSEMBLY 3
SURFACE BURNER AREA 4



Appendix B:Parts Index

014143-000	1	PD040131	1
016767-000	2	PE030140	2
017579-000	2	PE030141	2
017582-000	2	PE040310	4
054135-000	4	PE050113	4
A20011265	1	PJ020002	4
A20011267	1	PJ020003	4
A20011268	1	PJ020004	4
A20011279	3	PJ020015	4
A20013830	1	PJ030049	2
A20013836	2		
A20013839	1		
A20014533	1		
A20014534	1		
A20014957	4		
A20015497	2		
A20016223	1		
A20016224	1		
A2005726	4		
B20011269	4		
B20011270	4		
B20011271	1		
B20011272	1		
B30011275	3		
G50013539	2		
PA010207	2		
PA010209	2		
PB020259	1		
PB040259	1		
PC010006	4		
PD010003	2		
PD010148	4		
PD020002	1, 2, 4		
PD020004	1		
PD020032	1, 4		
PD020044	2		
PD020046	3		
PD030005	2		
PD030062	1		
PD040056	4		