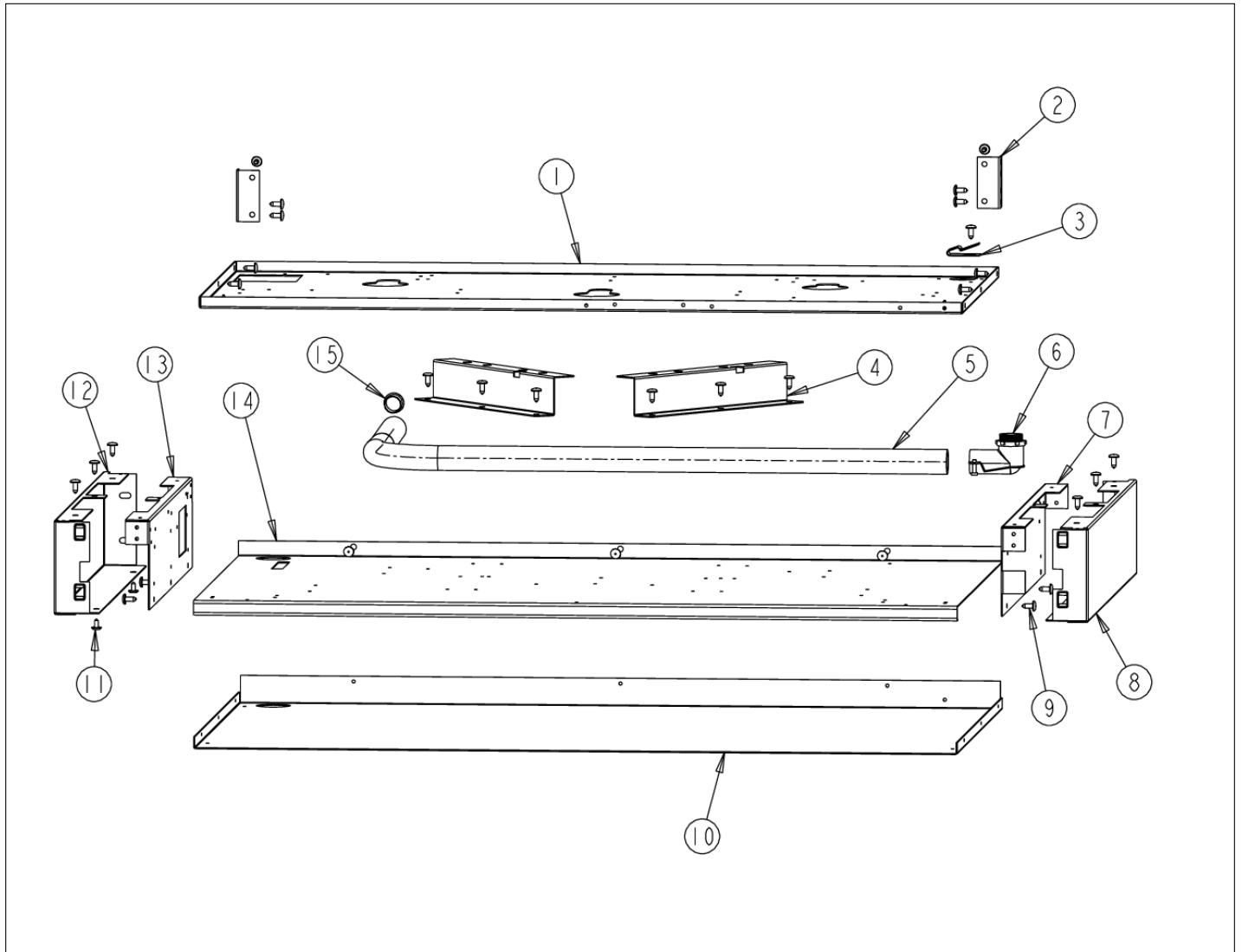


DETR361

BURNER BOX SUBASSEMBLY	1
BURNER BOX TOP	2
CONTROL AREA	3
ISLAND TRIM	4
SIX INCH BACKGAURD	5
TEN INCH BACKGAURD	6
WIRING HARNESS	7
Appendix A:Pages Index	A
Appendix B:Parts Index	B

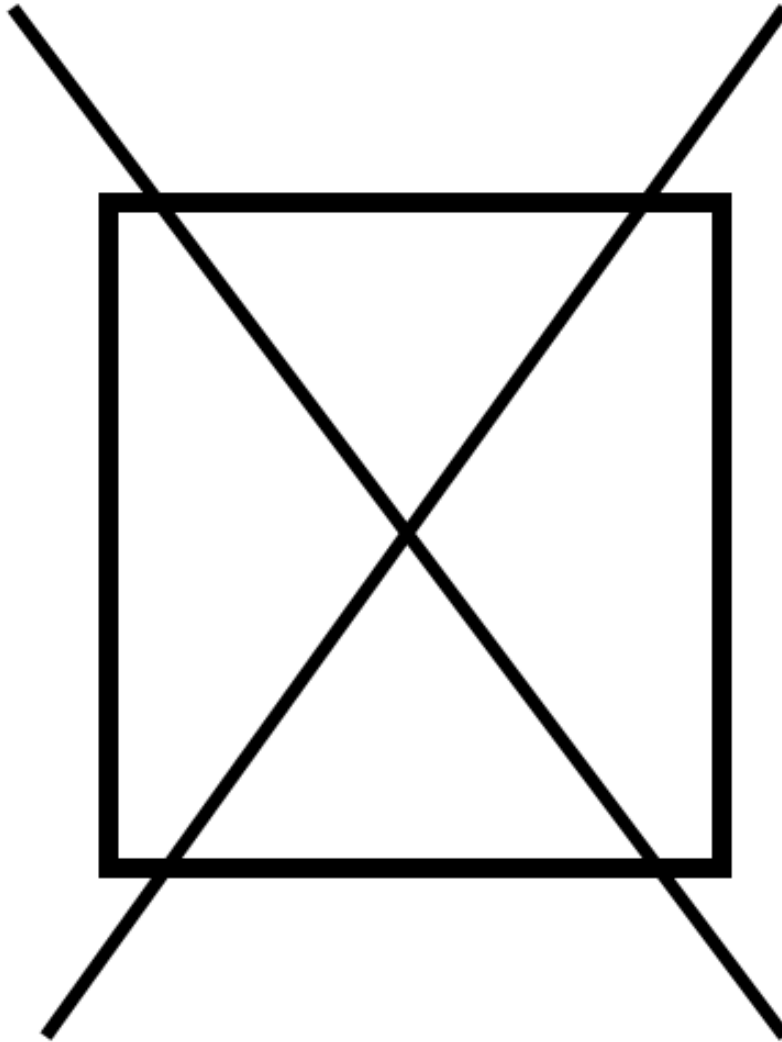
BURNER BOX SUBASSEMBLY



Item	Part No.	Name	Qty	Uom	NOTES
1	A20011265	BURNER PAN SUPPORT	1	EA	
2	A20013830	GLASS TRAY SIDE BRACKET	1	EA	NO LONGER AVAILABLE, Not available online / Call for pricing and availability
3	PD030062	.250 HI-LIMIT SWITCH CLAMP(VGSC306)	1	EA	
4	A20013839	ELEMENT SUPPORT BRACE	1	EA	NO LONGER AVAILABLE, Not available online / Call for pricing and availability
5	PB020259	3/4" CONDUIT	1	EA	NO LONGER AVAILABLE, Not available online / Call for pricing and availability
6	PB040259	90 DEG. 3/4" CONDUIT FITTING	1	EA	NO LONGER AVAILABLE, Not available online / Call for pricing and availability
7	A20011268	BURNER BOX SIDE, RH	1	EA	
8	B20011272	SIDE PANEL, RH	1	EA	NO LONGER AVAILABLE, Not available online / Call for pricing and availability
9	PD020002	10 X 1/2 PH.TR.HD.SMS.	1	EA	
10	A20014533	36" BURNER BOX BOTTOM	1	EA	NO LONGER AVAILABLE, Not available online / Call for pricing and availability
11	PD020032	SRW-8(A)X3/8"PH.WFR HD 7/16DIA*NICL	1	EA	
12	B20011271	SIDE PANEL, LH	1	EA	
13	A20011267	BURNER BOX SIDE, LH	1	EA	
14	A20014534	36" BOTTOM INS PANEL	1	EA	NO LONGER AVAILABLE, Not available online / Call for pricing and availability
15	PD040131	CONDUIT GROMMET (3/4")	1	EA	NO LONGER AVAILABLE, Not available online / Call for pricing and availability

BURNER BOX TOP

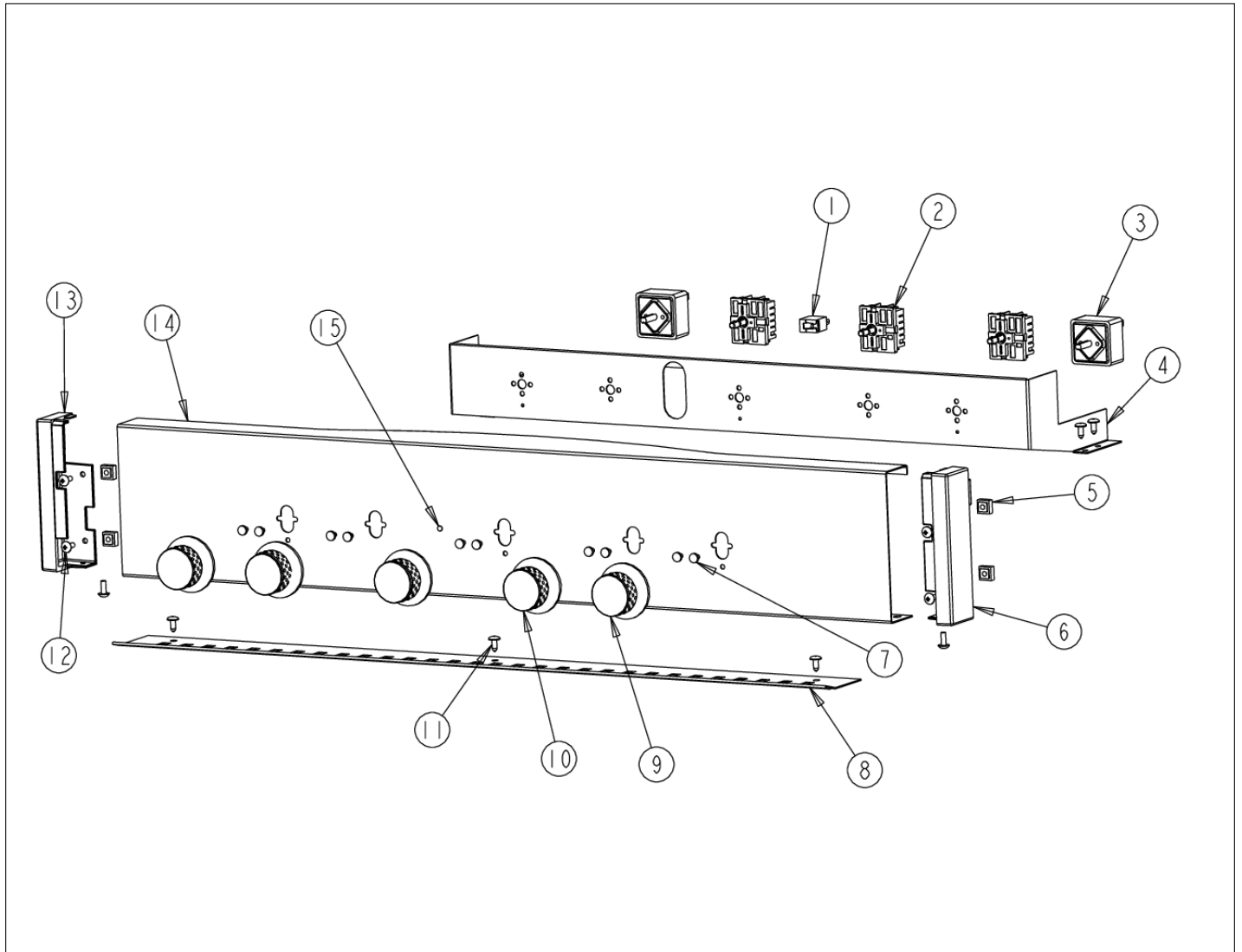
NON
ILLUSTRATED PART



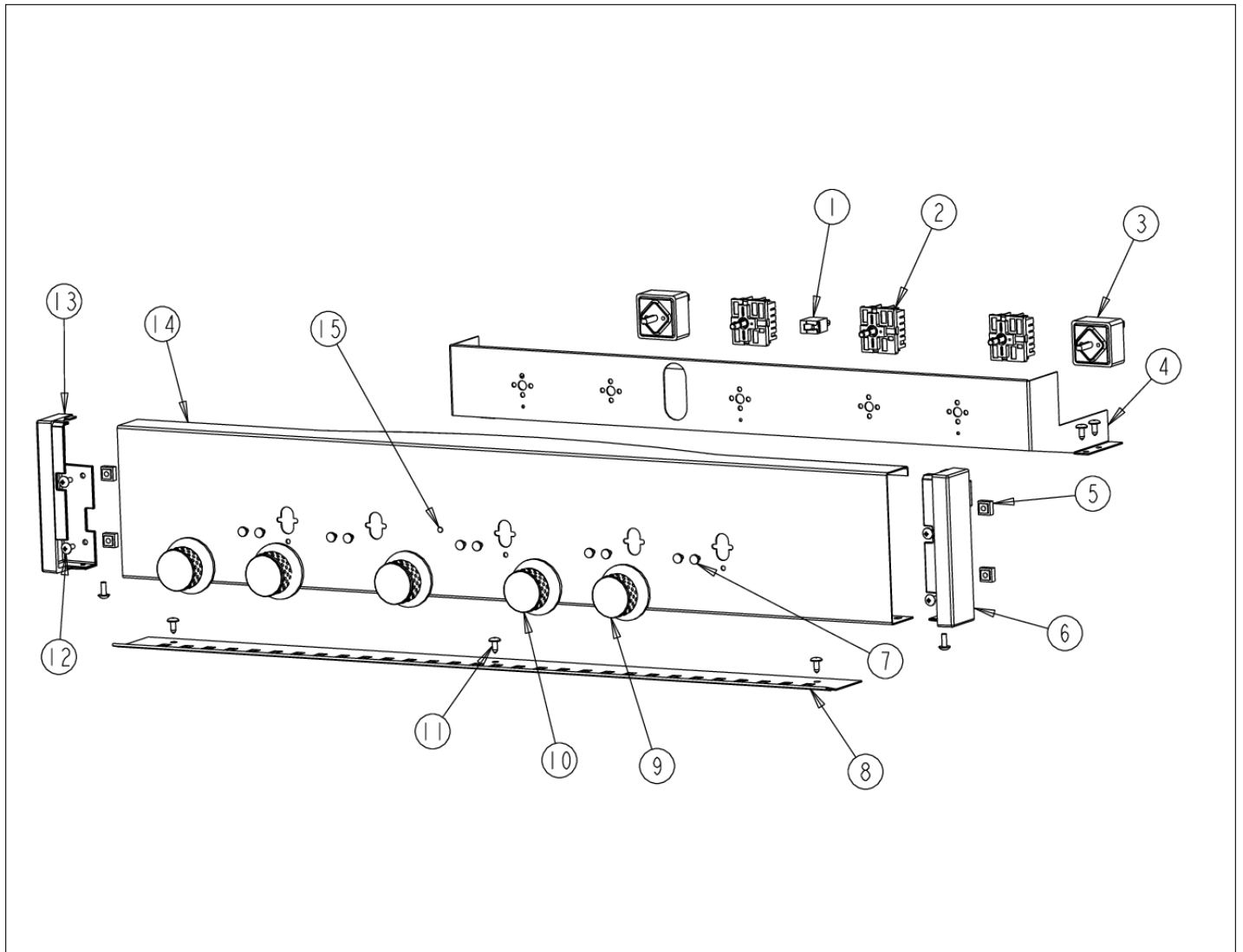


Item	Part No.	Name	Qty	Uom	NOTES
1	G50013841BK	36" DERT TOP ASSY *BK*	1	EA	
Not Shown	G50013841WH	GLASS TOP ASSEMBLY - WHITE GLASS	1	EA	Not available online / Call for pricing and availability
2	PJ02002	2200 ELEMENT	1	EA	Not available online / Call for pricing and availability
3	PM010494	CERAMASPEED BRACKET	1	EA	
4	PJ020003	ELEMENT	1	EA	
5	PD010148	ELEMENT STUD	1	EA	
6	A20014957	GUIDE MOUNTING BRACKET	1	EA	
7	PD020032	SRW-8(A)X3/8"PH.WFR HD 7/16DIA*NICL	1	EA	
8	B20011270	SIDE TRIM, RH	1	EA	
9	054135-000	BLOCK, TERMINAL, 6-POLE (Heyco # 9454)	1	EA	
10	PD020004	10X3/8PH.HD.TYPE 25 REPL PD040125	1	EA	
11	PE050113	DECU INDICATOR LIGHT (SP-2185-BDPS)	1	EA	
12	A2005726	DECU36 LIGHT HOLDER	1	EA	
13	B20013828	BACK TRIM, DERT360	1	EA	NO LONGER AVAILABLE, Not available online / Call for pricing and availability
14	PD020002	10 X 1/2 PH.TR.HD.SMS.	1	EA	
15	B20011269	SIDE TRIM, LH	1	EA	
16	PD040056	ELEMENT STUD NUT	1	EA	NO LONGER AVAILABLE
17	PC010006	GUIDE SPRING DESU	1	EA	
18	PJ020015	12" 2700/1400W DUAL ZONE ELEMENT	1	EA	
19	PD020013	TYPE "AB" #6 X 3/8 PH PAN HD. SMS	1	EA	
20	PJ020004	ELEMENT-(2)1800 X 800	1	EA	
21	014143-000	SCR 10-12 A SHLD TRP 1/2 S ZN BLUE	1	EA	

CONTROL AREA



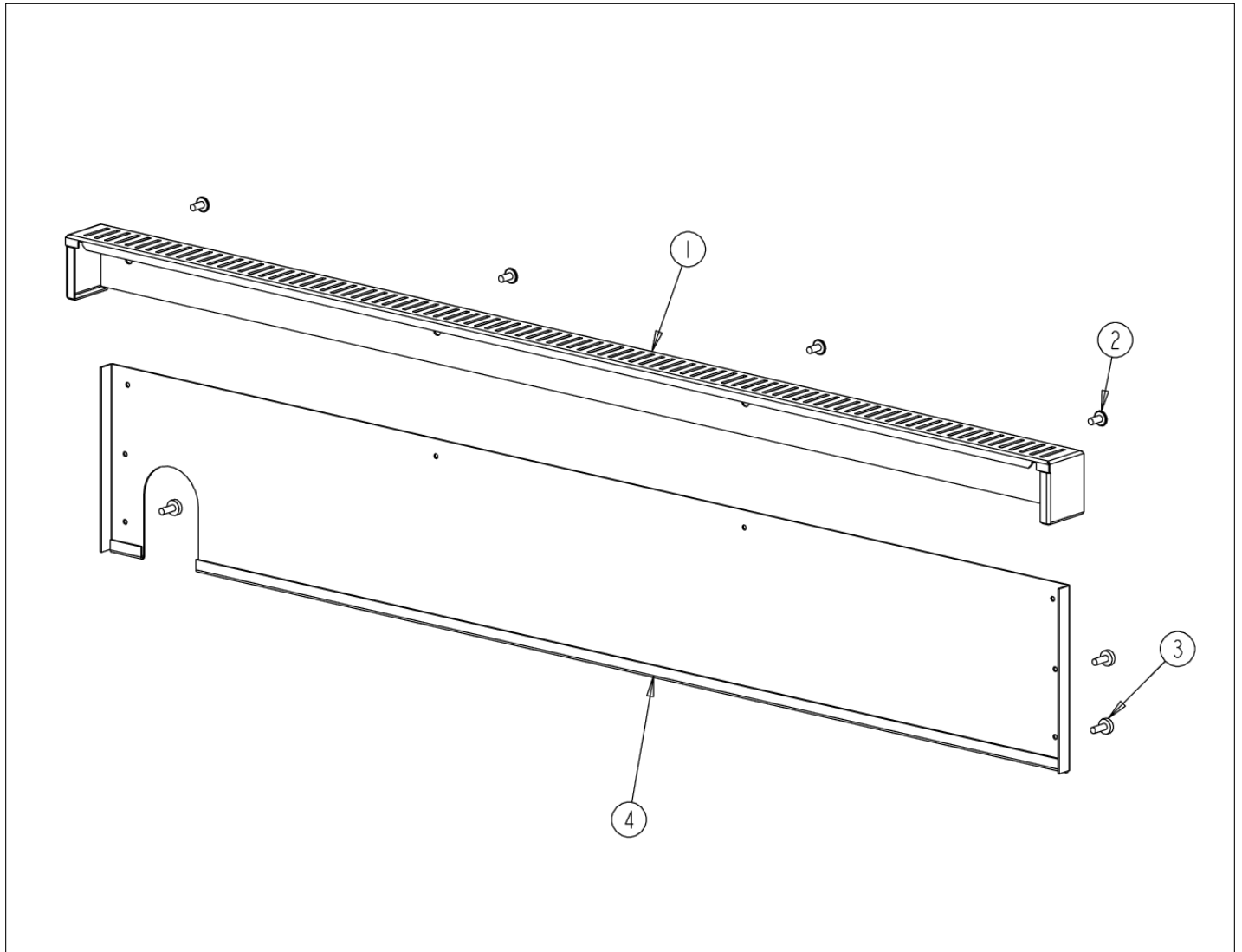
Item	Part No.	Name	Qty	Uom	NOTES
1	PE050079	LENS OPENING	1	EA	
2	G50013539	PJ030028 INFINITE SWITCH SERVICE KIT	1	EA	
3	PJ030019	INFINITE SWITCH	1	EA	
4	A20015497	SWITCH MOUNTING PLATE - 36"	1	EA	NO LONGER AVAILABLE, Not available online / Call for pricing and availability
5	PD030005	SELF RETAINING NUT	1	EA	
6	PE030141	CONTROL PANEL END CAP, RH DGRT	1	EA	Not available online / Call for pricing and availability
7	PD020044	#8-32 X 1/4" PH. TR. HD. M.S.	1	EA	
8	A20013836	FINGER SHIELD, 36"	1	EA	NO LONGER AVAILABLE, Not available online / Call for pricing and availability
9	PA010207	KNOB-CHROME W/BLACK SLEEVE	1	EA	NO LONGER AVAILABLE
Not Shown	PA010207PVD	KNOB- BRASS W/BLACK SLEEVE	1	EA	NO LONGER AVAILABLE, Not available online / Call for pricing and availability
Not Shown	PA010208	KNOB-CHROME W/GRAY SLEEVE	1	EA	
Not Shown	PA010208PVD	KNOB- BRASS W/GRAY SLEEVE	1	EA	NO LONGER AVAILABLE, Not available online / Call for pricing and availability
10	PA010209	KNOB - CHROME/BLK/DUAL INF.	1	EA	NO LONGER AVAILABLE
Not Shown	PA010209PVD	KNOB - BRASS/BLK/DUAL INF.	1	EA	NO LONGER AVAILABLE, Not available online / Call for pricing and availability
Not Shown	PA010210	KNOB - CHROME/GRAY/DUAL INF.	1	EA	NO LONGER AVAILABLE, Not available online / Call for pricing and availability





Item	Part No.	Name	Qty	Uom	NOTES
Not Shown	PA010210PVD	KNOB - BRASS/GRAY/DUAL INF.	1	EA	NO LONGER AVAILABLE, Not available online / Call for pricing and availability
11	PD020002	10 X 1/2 PH.TR.HD.SMS.	1	EA	
12	PD010003	10-24 X 1/2 PH.TR.HD.SERD.M.S.	1	EA	
13	PE030140	CONTROL PANEL END CAP, LH DGRT	1	EA	Not available online / Call for pricing and availability
14	B92012271	CONTROL PANEL-DERT360	1	EA	Not available online / Call for pricing and availability
15	PE050080	JEMCO LENS	1	EA	

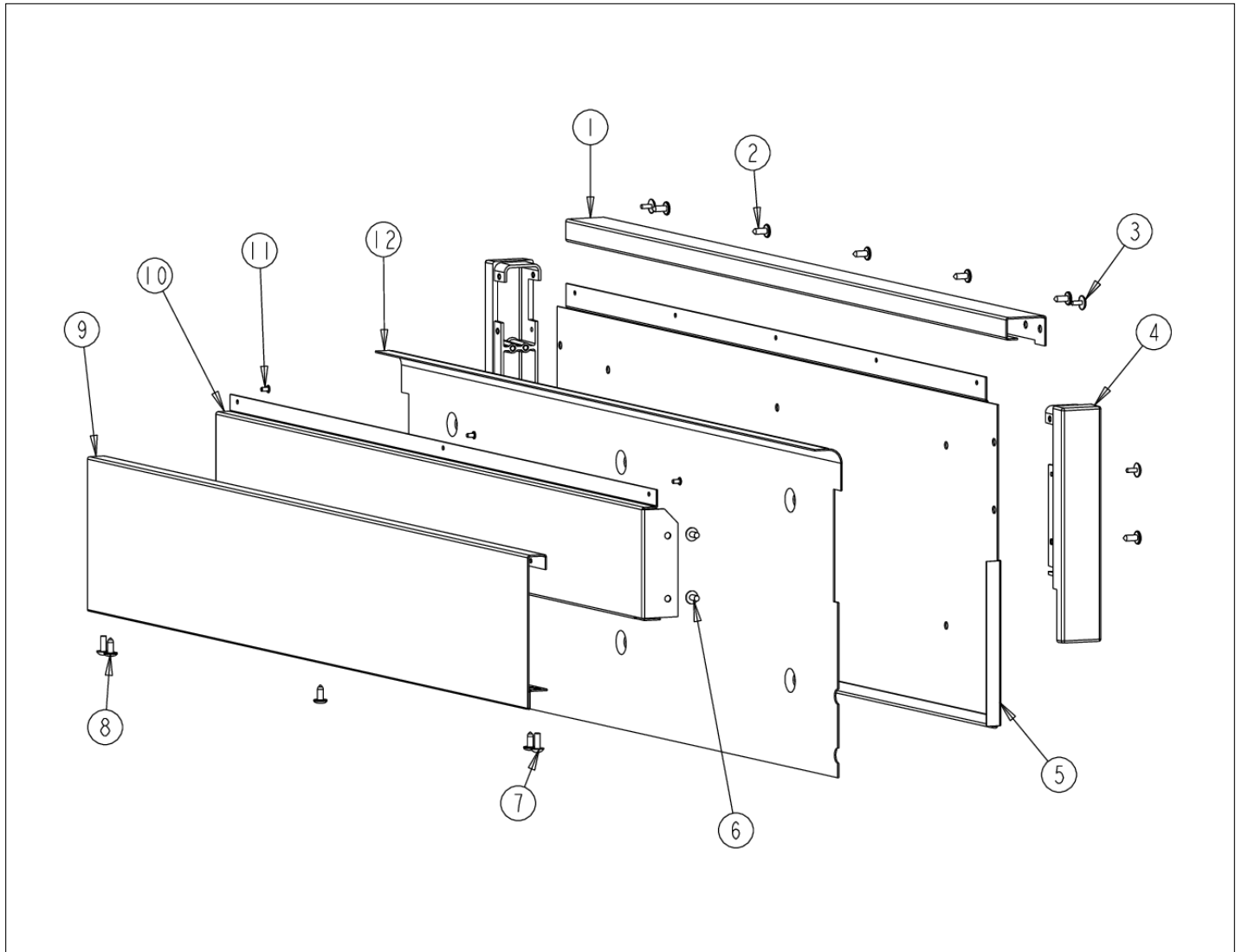
ISLAND TRIM





Item	Part No.	Name	Qty	Uom	NOTES
1	PD020046	#8 X 1/2 SCREWS	1	EA	
2	PD020002	10 X 1/2 PH.TR.HD.SMS.	1	EA	
3	A20011279	ISLAND TRIM, BACK, 36"	1	EA	
4	B30011275	ISLAND TRIM TOP	1	EA	Not available online / Call for pricing and availability

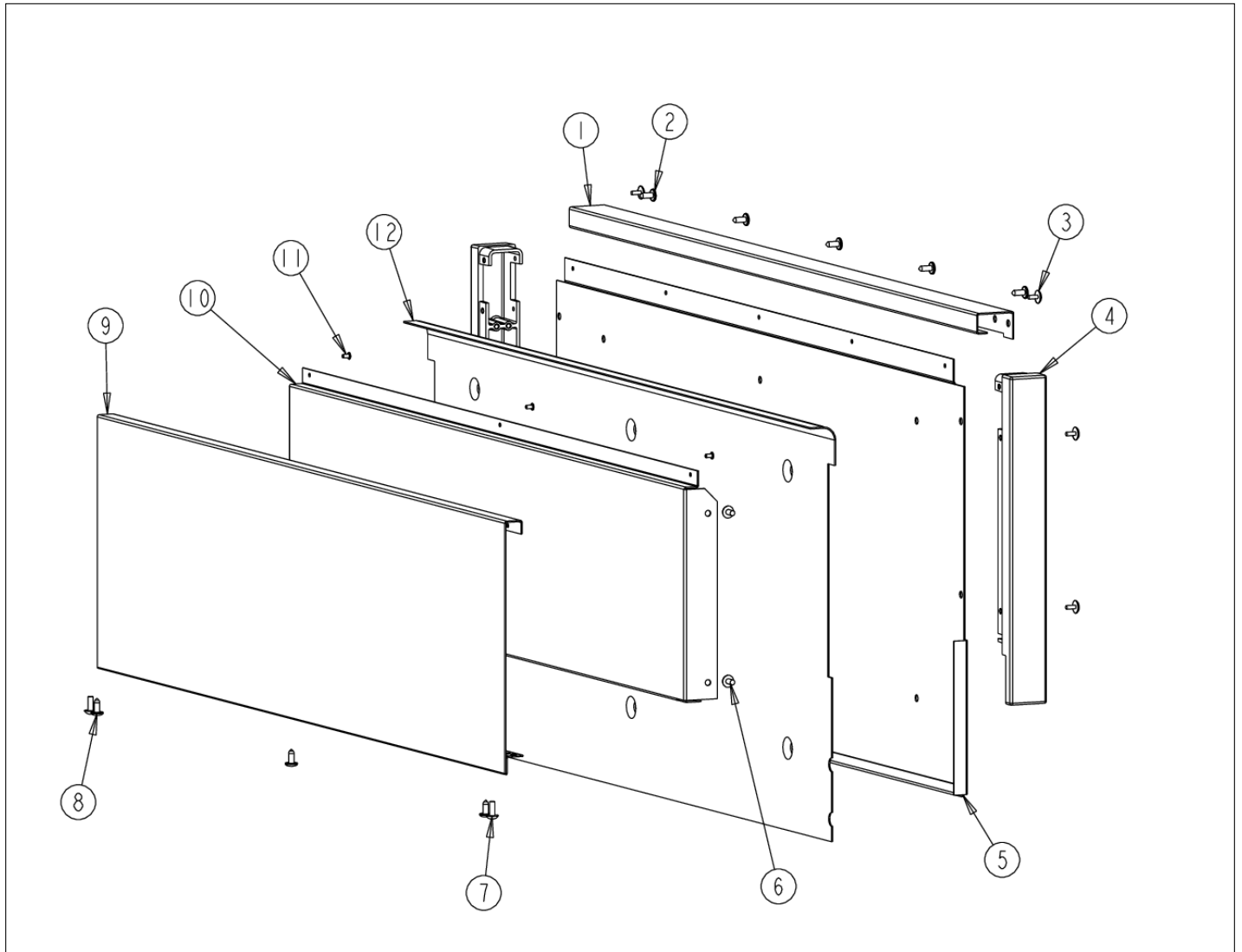
SIX INCH BACKGAURD





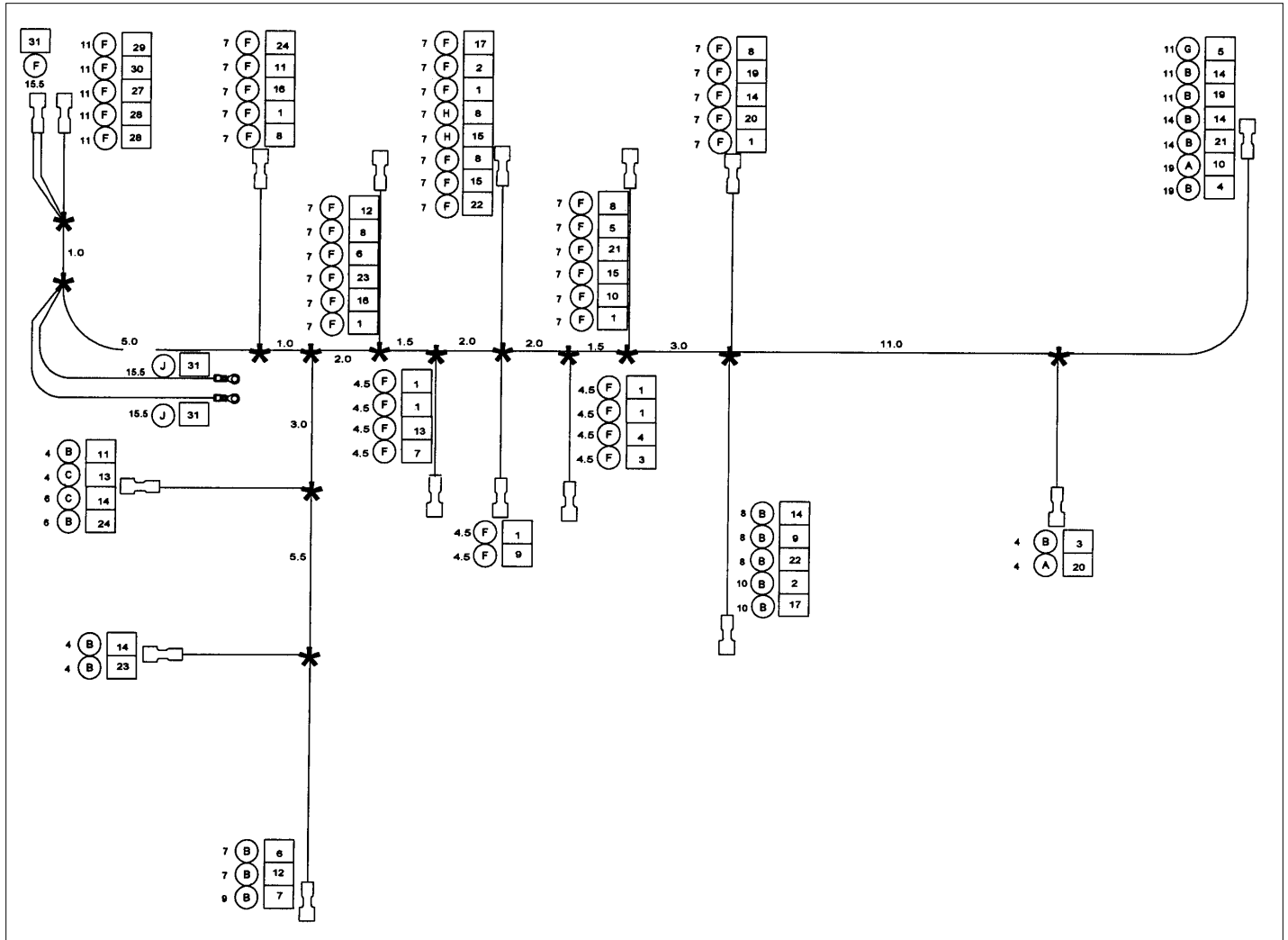
Item	Part No.	Name	Qty	Uom	NOTES
1	B20011284	BACKGUARD, TOP	1	EA	Not available online / Call for pricing and availability
2	PD020046	#8 X 1/2 SCREWS	1	EA	
3	PD020073	SRW #10 X 24 X 3/8 WAFER HD TYPE23	1	EA	
4	PE030152	BACKGUARD ENDCAP, RH, DGRT	1	EA	NO LONGER AVAILABLE, Not available online / Call for pricing and availability
5	A20011281	BACKGUARD, BACK, 6"	1	EA	Not available online / Call for pricing and availability
6	PD020056	' #10-24 X 1/2" PH.TR. M.S. *SS*	1	EA	
7	PD010003	10-24 X 1/2 PH.TR.HD.SERD.M.S.	1	EA	
8	PD020002	10 X 1/2 PH.TR.HD.SMS.	1	EA	
9	B20011282	BACKGUARD, FRONT	1	EA	
10	A20011283	BACKGUARD, FRONT PANEL SUPPORT	1	EA	Not available online / Call for pricing and availability
11	PC040010	POP RIVET (.063/GR -.125) GAMD42-A	1	EA	
12	B20011285	HEAT DEFLECTOR	1	EA	Not available online / Call for pricing and availability

TEN INCH BACKGAURD



Item	Part No.	Name	Qty	Uom	NOTES
1	B20011284	BACKGUARD, TOP	1	EA	Not available online / Call for pricing and availability
2	PD020046	#8 X 1/2 SCREWS	1	EA	
3	PD020073	SRW #10 X 24 X 3/8 WAFER HD TYPE23	1	EA	
4	PE030176	BACKGUARD ENDCAP, 10" RH DGRT	1	EA	NO LONGER AVAILABLE, Not available online / Call for pricing and availability
5	A20012263	BACKGUARD BACK	1	EA	Not available online / Call for pricing and availability
6	PD020056	' #10-24 X 1/2" PH.TR. M.S. *SS*	1	EA	
7	PD010003	10-24 X 1/2 PH.TR.HD.SERD.M.S.	1	EA	
8	PD020002	10 X 1/2 PH.TR.HD.SMS.	1	EA	
9	B20012261	BACKGAURD FRONT	1	EA	Not available online / Call for pricing and availability
10	A20012264	BACKGAURD FRONT SUPPORT	1	EA	Not available online / Call for pricing and availability
11	PC040010	POP RIVET (.063/GR -.125) GAMD42-A	1	EA	
12	B20012262	INSIDE SHEILD	1	EA	Not available online / Call for pricing and availability

WIRING HARNESS





Item	Part No.	Name	Qty	Uom	NOTES
1	PE070749	IGNITOR WIRE KIT - VGSC487-6G	1	EA	
NI	G4005496	SUPPLY WIRE - 100" BK 10GA SO/DO	1	EA	
NI	G4005497	SUPPLY WIRE - 100" GREEN 10GA SO/DO	1	EA	
NI	G4005499	SUPPLY WIRE - 100" RED 10GA SO/DO	1	EA	
NI	G4005494	SUPPLY WIRE - 75" WH 12 GA SO/DO - NLA	1	EA	



Appendix A:Pages Index

BURNER BOX SUBASSEMBLY 1
BURNER BOX TOP2
CONTROL AREA 3
ISLAND TRIM 4
SIX INCH BACKGAURD 5
TEN INCH BACKGAURD 6
WIRING HARNESS 7



Appendix B:Parts Index

014143-000	2	PA010208PVD	3
054135-000	2	PA010209	3
A20011265	1	PA010209PVD	3
A20011267	1	PA010210	3
A20011268	1	PA010210PVD	3
A20011279	4	PB020259	1
A20011281	5	PB040259	1
A20011283	5	PC010006	2
A20012263	6	PC040010	5, 6
A20012264	6	PD010003	3, 5, 6
A20013830	1	PD010148	2
A20013836	3	PD020002	1, 2, 3, 4, 5, 6
A20013839	1	PD020004	2
A20014533	1	PD020013	2
A20014534	1	PD020032	1, 2
A20014957	2	PD020044	3
A20015497	3	PD020046	4, 5, 6
A2005726	2	PD020056	5, 6
B20011269	2	PD020073	5, 6
B20011270	2	PD030005	3
B20011271	1	PD030062	1
B20011272	1	PD040056	2
B20011282	5	PD040131	1
B20011284	5, 6	PE030140	3
B20011285	5	PE030141	3
B20012261	6	PE030152	5
B20012262	6	PE030176	6
B20013828	2	PE050079	3
B30011275	4	PE050080	3
B92012271	3	PE050113	2
G4005494	7	PE070749	7
G4005496	7	PJ020003	2
G4005497	7	PJ020004	2
G4005499	7	PJ020015	2
G50013539	3	PJ02002	2
G50013841BK	2	PJ030019	3
G50013841WH	2	PM010494	2
PA010207	3		
PA010207PVD	3		
PA010208	3		