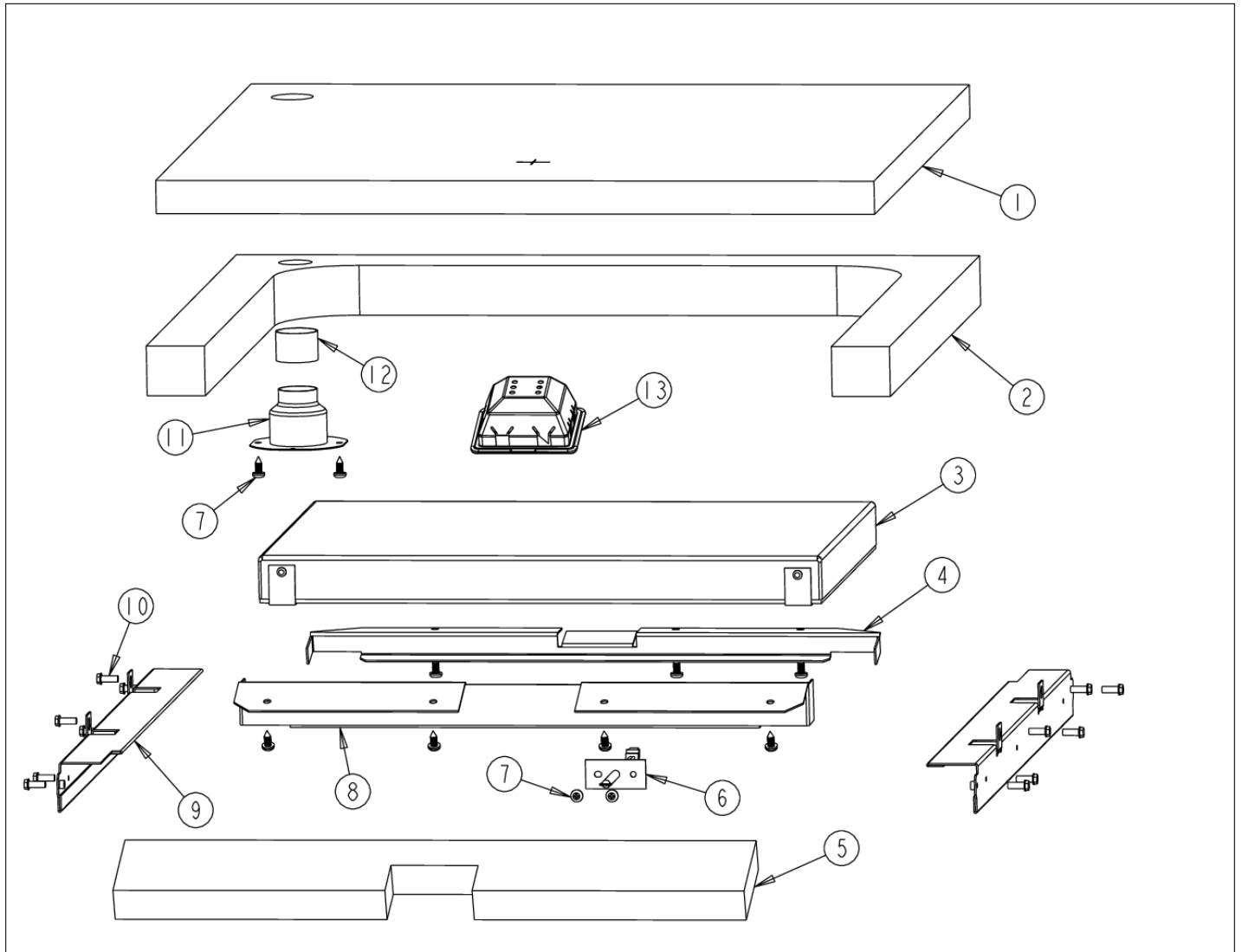


DEDO530T

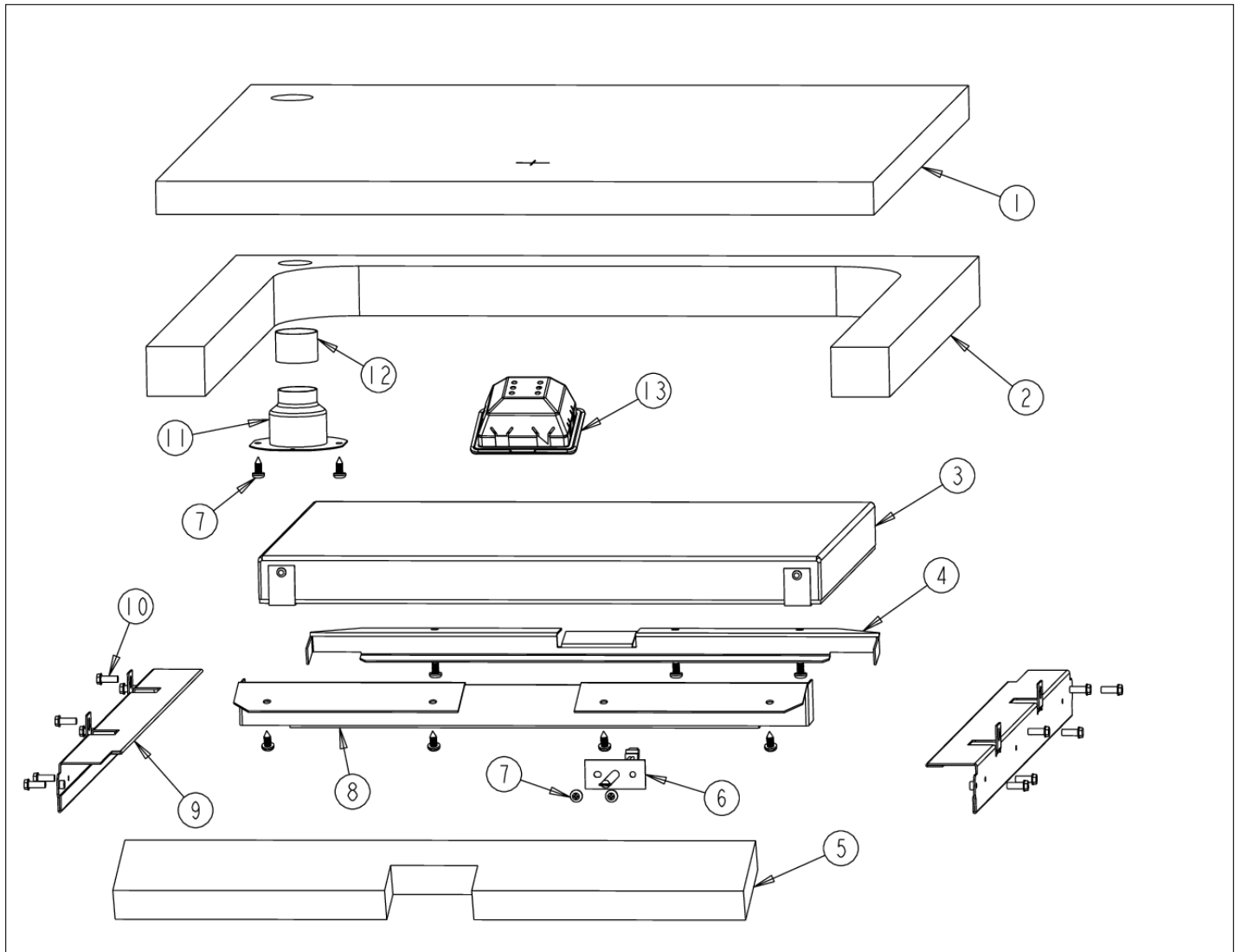
BROIL ELEMENT AREA	1
CONTROL AREA	2
CONTROL BD WIRING	3
EXTERIOR OVEN CAVITY AREA	4
LOWER DOOR ASSEMBLY	5
LOWER OVEN CAVITY INTERIOR	6
LOWER OVEN LOWER CAVITY	7
MIDDLE UNIT AREA	8
REAR UNIT AREA	9
UPPER DOOR ASSEMBLY	10
UPPER OVEN CAVITY INTERIOR	11
UPPER OVEN LOWER CAVITY	12
UPPER UNIT AREA	13
WIRING	14
Appendix A:Pages Index	A
Appendix B:Parts Index	B

BROIL ELEMENT AREA





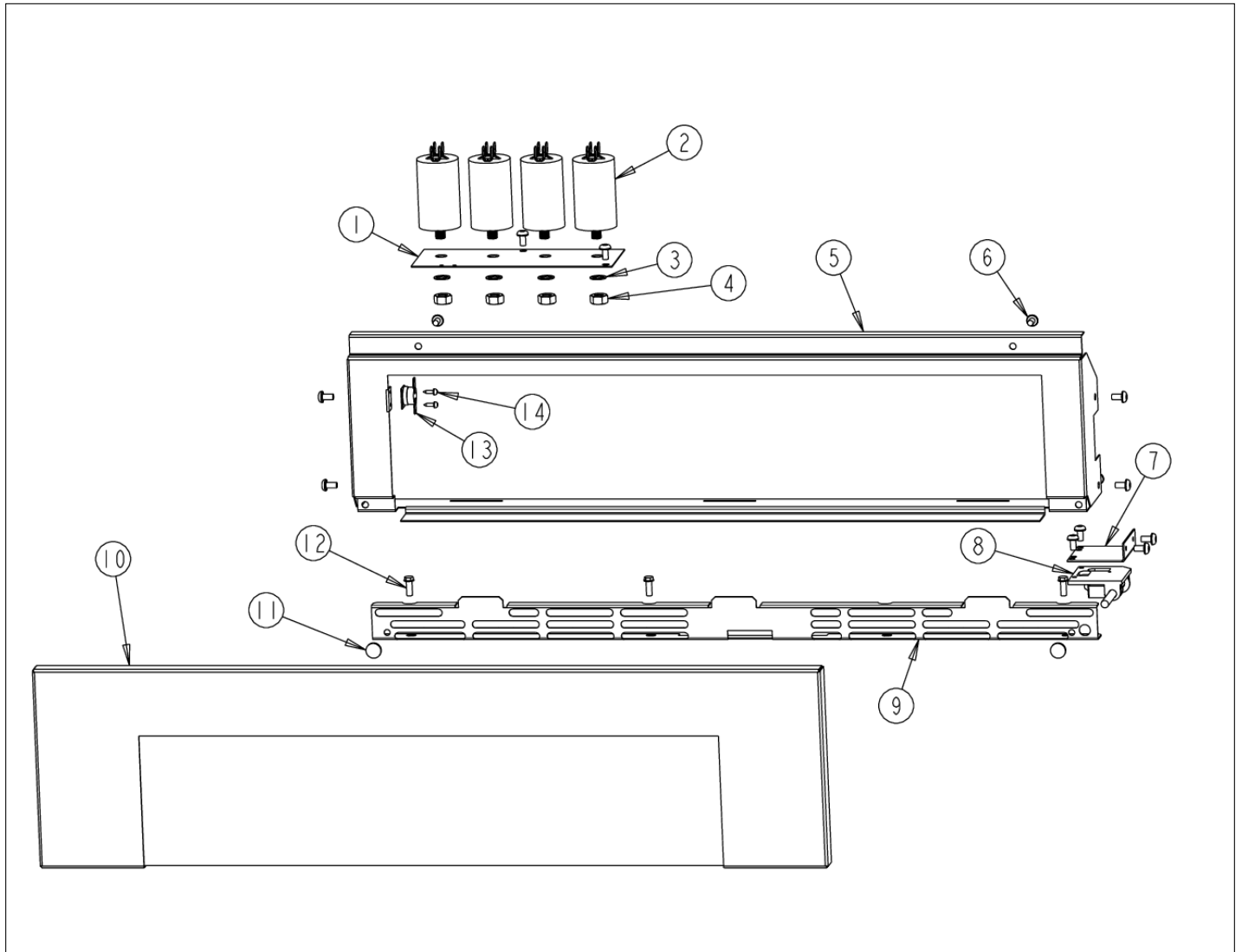
Item	Part No.	Name	Qty	Uom	NOTES
1	PB070308	Top Insulation	1	EA	
2	PB070305	Top Broil Insulation	1	EA	Not available online / Call for pricing and availability
3	024040-000	ELEMENT, RIBBON	1	EA	
<p>Comments for Part Num. 024040-000</p> <p>jhobbs@kimballinc.com on Jan 4, 2019 Please Correct the part number on this (057872-000)</p>					
Not Shown	NOTE	(BEFORE 07/24/14)		EA	
3	057872-000	ELEMENT, BRL, ASM	1	EA	
<p>Comments for Part Num. 057872-000</p> <p>gboltz@VikingRange.com on Aug 17, 2018 When replacing the Ceramaspeed Broiler element (024040-000) with the EGO element, the original rear broiler bracket will need to be replaced with a replacement rear bracket, (013621-000) and a cover (016021-000)</p>					
Not Shown	NOTE	(ON OR AFTER 07/24/14)		EA	
4	024221-000	BRACKET, BROILER, REAR	1	EA	
Not Shown	NOTE	(BEFORE 07/24/14)		EA	
4	013621-000	BRACKET, BRL, REAR	1	EA	
<p>Comments for Part Num. 013621-000</p> <p>gboltz@VikingRange.com on Feb 5, 2016 After 1-22-2015</p>					
Not Shown	NOTE	(ON OR AFTER 07/24/14)		EA	
NI	016021-000	COVER, TERM, BROILER	1	EA	
Not Shown	NOTE	(ON OR AFTER 07/24/14)		EA	
5	PB070337	Liner Insulation	1	EA	
6	PE050206	RTD THERMOSTAT PROBE	1	EA	
7	PD020055	' #10 X 1/2" PAN PHIL. TEK.*SS*	1	EA	
8	024234-000	BRACKET, BROILER, FRONT	1	EA	





Item	Part No.	Name	Qty	Uom	NOTES
9	A2009641	BRKT, TOP WRAPPER	1	EA	
10	PD020060	10 X 1/2" (5/16)HEX WSHER HD.(T)A	1	EA	
11	PM010014	SMOKE ELIMINATOR (VDSC)	1	EA	
12	PB020275	VENT TUBE	1	EA	
13	020403-000	LAMP, OVEN, 120V/40W	1	EA	

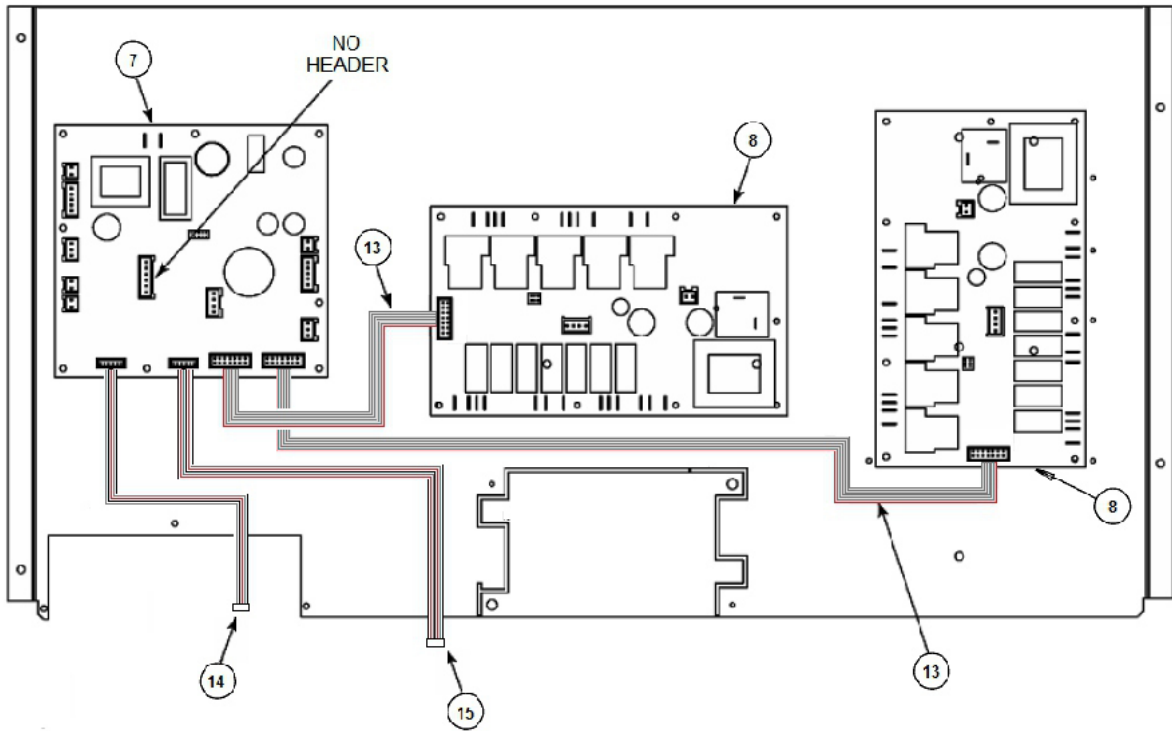
CONTROL AREA





Item	Part No.	Name	Qty	Uom	NOTES
1	A10014027	4 CAPACITOR BRACKET	1	EA	
2	036047-000	CAPACITOR, CONV MOTOR, INTL	1	EA	
3	PD040164	5/16 INTERNAL TOOTH LOCK WASHER TYPE A	1	EA	
4	PD030172	M8 X 1.25MM NUT	1	EA	
5	A20014024	30" TOUCH CONTROL MTG. PANEL	1	EA	NO LONGER AVAILABLE
6	PD020004	10X3/8PH.HD.TYPE 25 REPL PD040125	1	EA	
7	A20012649	DOOR SWITCH BRACKET	1	EA	
8	PE050208	DOOR SWITCH	1	EA	
9	C90014072BK	30" INLET GRILL	1	EA	
10	PS500027BK	30" PREMIERE TOUCH DOUBLE CONTROL PANEL ASSEMBLY - BK	1	EA	
10	PS500027BT	30" PREMIERE TOUCH DOUBLE CONTROL PANEL ASSEMBLY - BT	1	EA	NO LONGER AVAILABLE, Not available online / Call for pricing and availability
10	PS500027GG	30" PREMIERE TOUCH DOUBLE CONTROL PANEL ASSEMBLY - GG	1	EA	NO LONGER AVAILABLE, Not available online / Call for pricing and availability
10	PS500027SG	30" PREMIERE TOUCH DOUBLE CONTROL PANEL ASSEMBLY - SG	1	EA	NO LONGER AVAILABLE, Not available online / Call for pricing and availability
10	PS500027SS	30" PREMIERE TOUCH DOUBLE CONTROL PANEL ASSEMBLY - SS	1	EA	
10	PS500027WH	30" PREMIERE TOUCH DOUBLE CONTROL PANEL ASSEMBLY - WH	1	EA	NO LONGER AVAILABLE, Not available online / Call for pricing and availability
11	PD040004	GROMMET BUMPER	1	EA	
12	PD020060	10 X 1/2" (5/16)HEX WSHER HD.(T)A	1	EA	
13	PJ030043	Bi Metal Thermostat - 150 Degrees	1	EA	
14	PD020013	TYPE "AB" #6 X 3/8 PH PAN HD. SMS	1	EA	

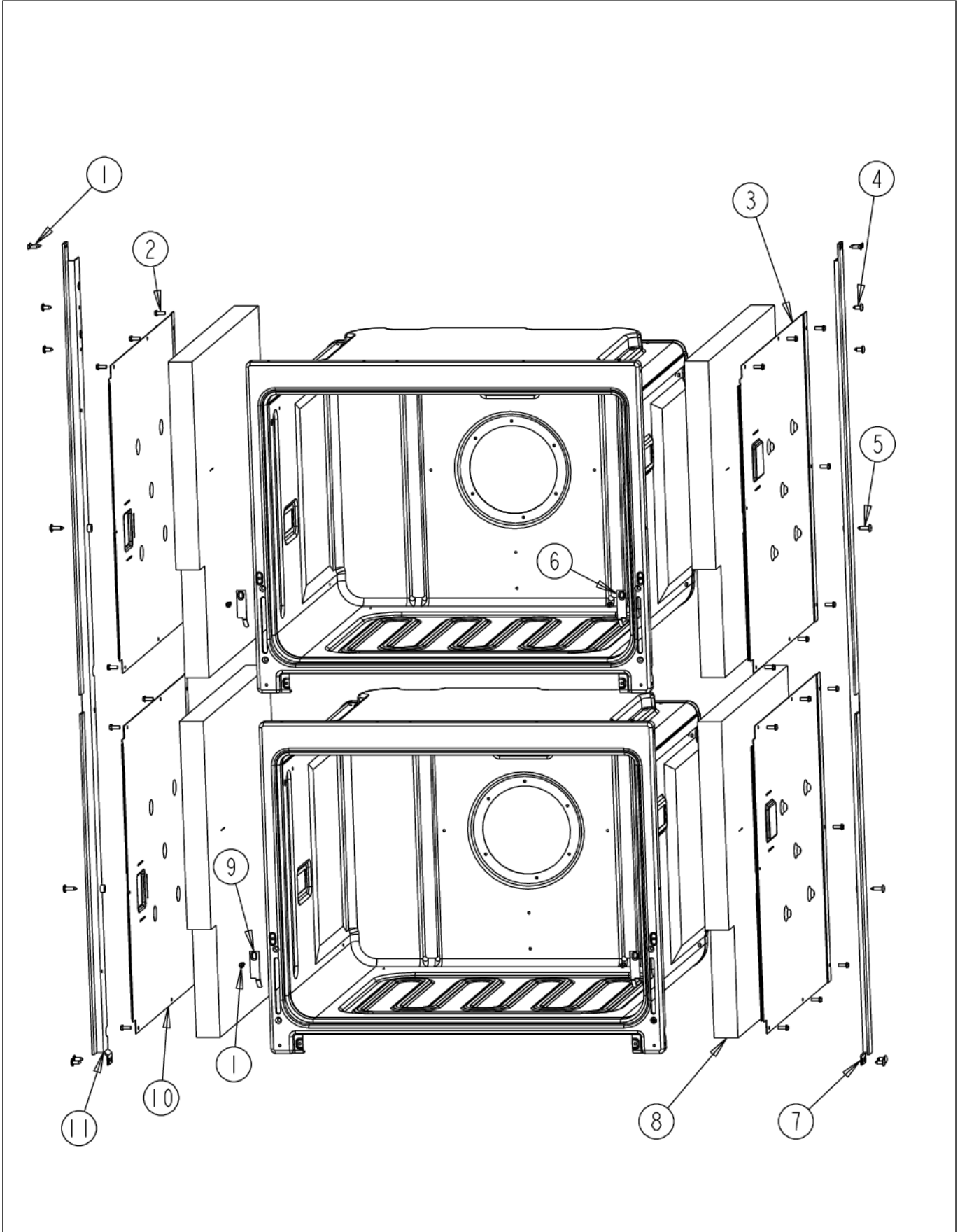
CONTROL BD WIRING





Item	Part No.	Name	Qty	Uom	NOTES
7	PE050233	Control Board	1	EA	
8	PE050234	RELAY BOARD	2	EA	
13	PE070883	TOUCH CONTROL UPPER RELAY HARNESS	2	EA	
14	PE070845	TOUCH CONTROL KEYBOARD HARNESS	1	EA	
15	PE070846	TOUCH CONTROL DISPLAY HARNESS	1	EA	
NI	PE070733	UPPER LATCH HARNESS	1	EA	
NI	PE070735	MEAT PROBE HARNESS	1	EA	
NI	PE070739	BAKE ELEMENT HARNESS	2	EA	
NI	PE070843	LOWER TOUCH CONTROL HARNESS	1	EA	NO LONGER AVAILABLE
NI	PE070882	LOWER LATCH HARNESS	1	EA	NO LONGER AVAILABLE
NI	PE070884	TOUCH CONTROL LOWER RELAY HARNESS	1	EA	
NI	PE070885	TOUCH CONTROL DOUBLE HYPOT HARNESS	1	EA	NO LONGER AVAILABLE, Not available online / Call for pricing and availability
NI	PE070888	TOUCH CONTROL MEAT PROBE HARNESS	1	EA	

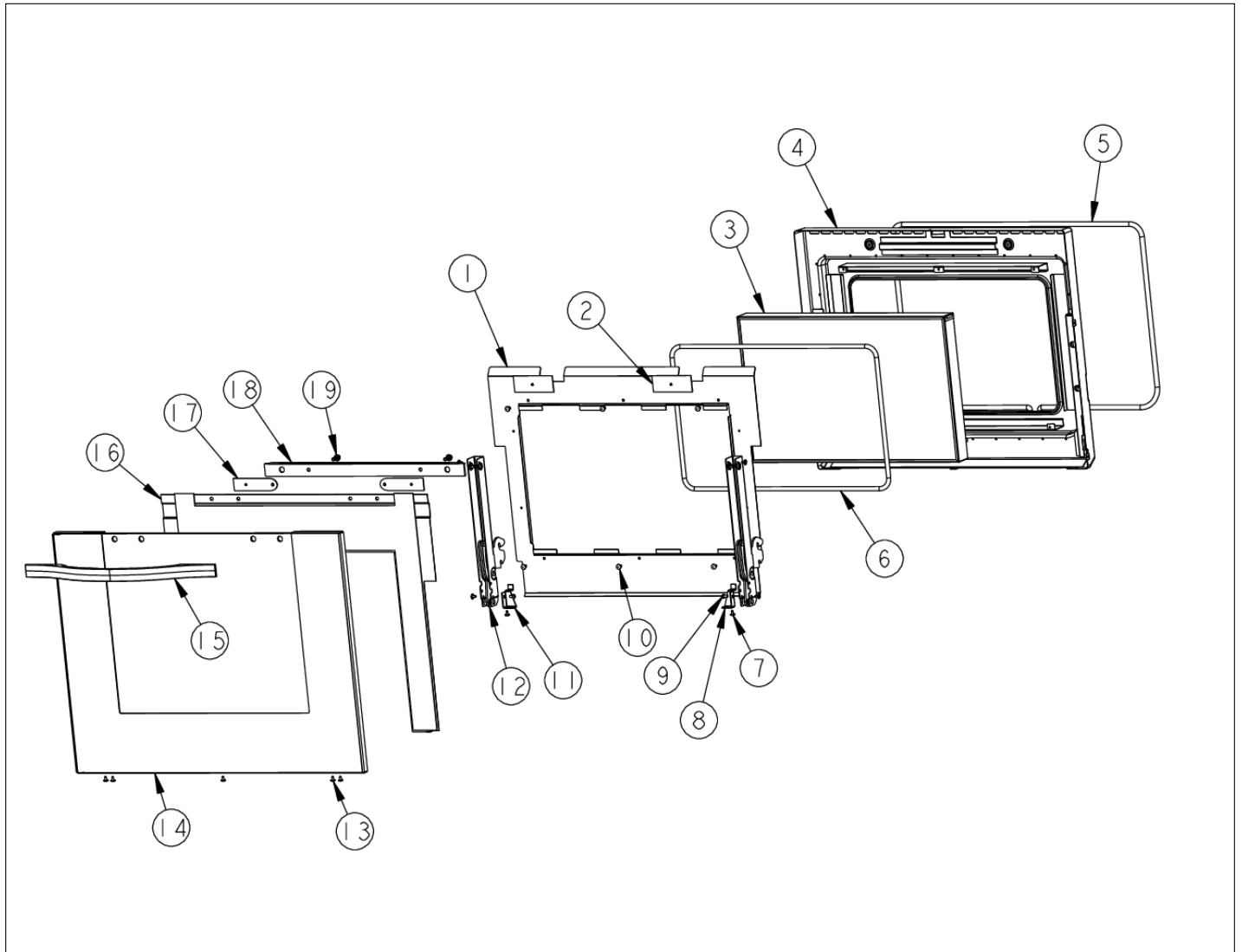
EXTERIOR OVEN CAVITY AREA





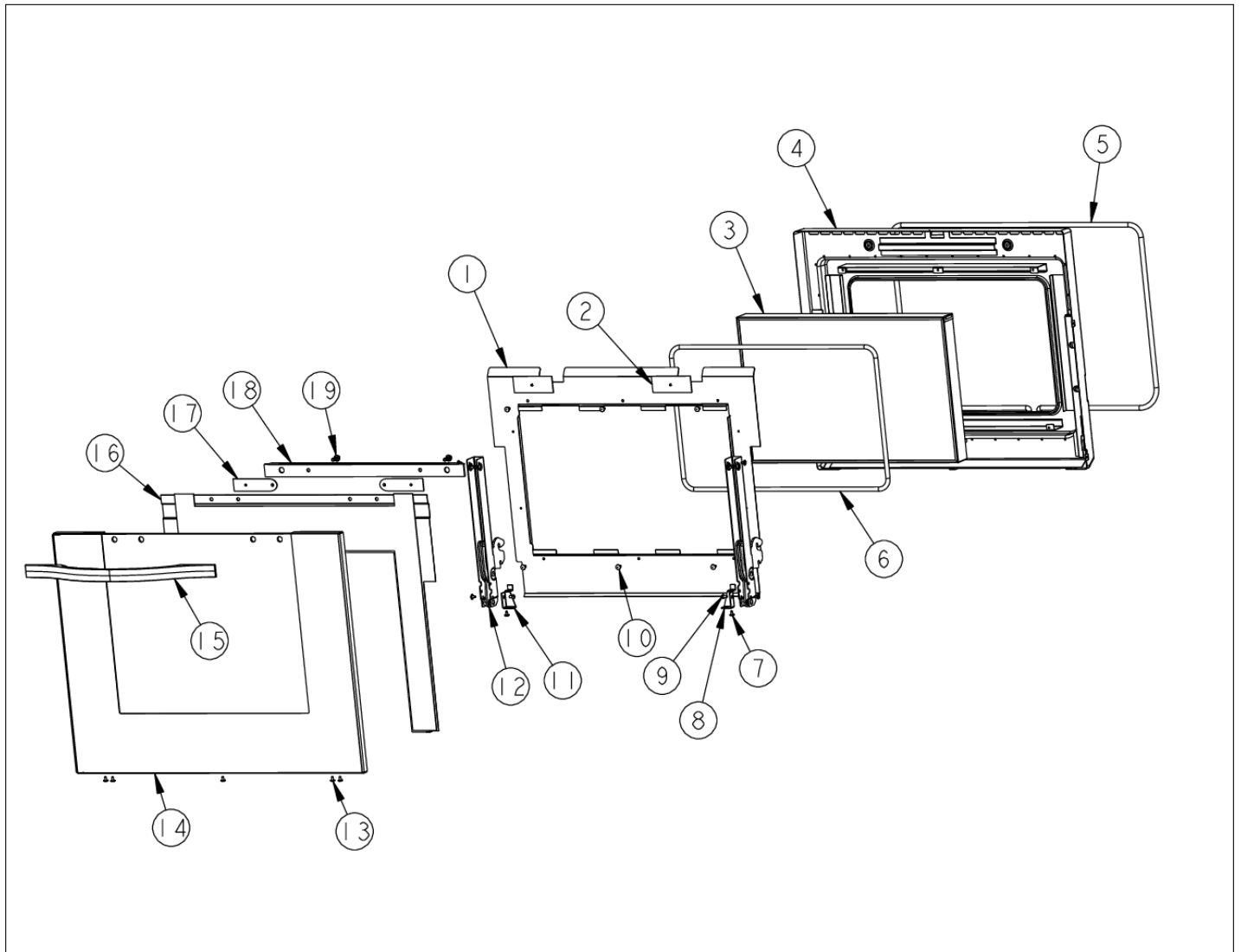
Item	Part No.	Name	Qty	Uom	NOTES
1	PD020061	' #8 X 3/4 FLAT HD TEK. *SS*	1	EA	
2	PD020060	10 X 1/2" (5/16)HEX WSHER HD.(T)A	1	EA	
3	A2009622	BRKT, TOP WRAPPER, RIGHT	1	EA	Not available online / Call for pricing and availability
4	PD020002	10 X 1/2 PH.TR.HD.SMS.	1	EA	
5	PD020014	10X3/4 PH TR HD SMS	1	EA	
6	B21010915	HINGE CLIP - RH	1	EA	
7	PE040283	DES. DOUBLE SIDE TRIM RH	1	EA	Not available online / Call for pricing and availability
8	PB070302	SIDE INSULATION	1	EA	
9	B21010916	HINGE CLIP - LH	1	EA	
10	A20012650	BRKT, TOP WRAPPER LEFT	1	EA	Not available online / Call for pricing and availability
11	PE040284	DES. DOUBLE SIDE TRIM LH	1	EA	NO LONGER AVAILABLE

LOWER DOOR ASSEMBLY



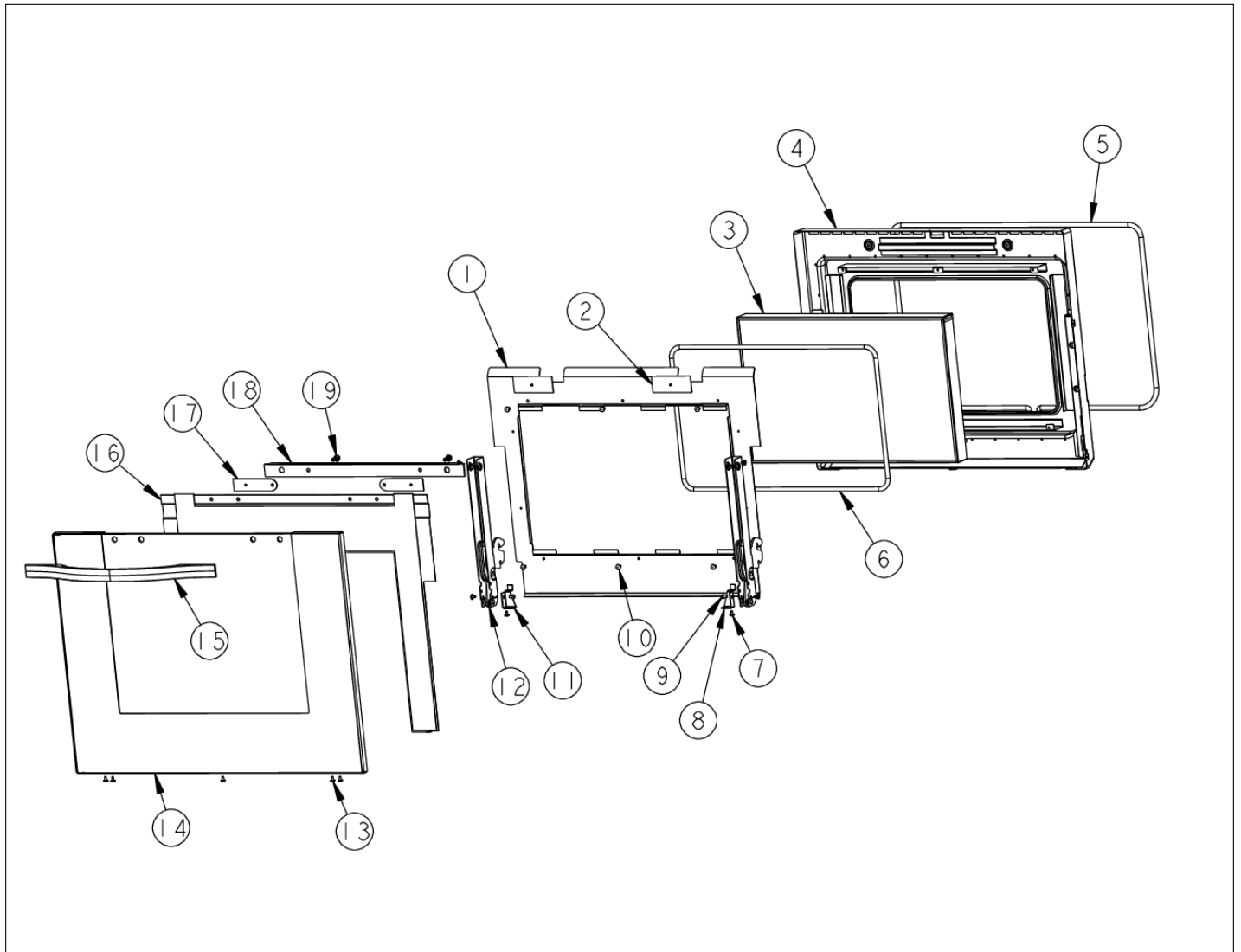


Item	Part No.	Name	Qty	Uom	NOTES
1	A2009632	PANEL, INULATION, INNER DOOR	1	EA	
2	PB070336	Door Bracket Insulation	1	EA	
3	PE060094	30 WINDOW PACK	1	EA	
4	G9109625	DOOR LINER PORC.	1	EA	
5	PB070246	30" DOOR GASKET	1	EA	
6	000594-000	BLACK FIBERGLASS ROPE 3/8	1	EA	
7	PD020063	SCREW-#8(A) X 3/8"PH WFR HD/BK OXID	1	EA	
8	A20012640	HINGE SUPPORT RH	1	EA	
9	PD020004	10X3/8PH.HD.TYPE 25 REPL PD040125	1	EA	
10	PD020002	10 X 1/2 PH.TR.HD.SMS.	1	EA	
11	A20012641	HINGE SUPPORT LH	1	EA	
12	006070-000	HINGE, DOOR, ASM, MANSFIELD, DES, GREEN SPRING	1	EA	
13	PD020032	SRW-8(A)X3/8"PH.WFR HD 7/16DIA*NICL	1	EA	
14	001452-002	30" DES DOOR SKIN KIT W/O LOGO - BK	1	EA	Not available online / Call for pricing and availability
14	001452-003	30" DES DOOR SKIN KIT W/O LOGO - BT	1	EA	NO LONGER AVAILABLE, Not available online / Call for pricing and availability
14	001452-005	30" DES DOOR SKIN KIT W/O LOGO - GG	1	EA	NO LONGER AVAILABLE
14	001452-004	30" DES DOOR SKIN KIT W/O LOGO - SG	1	EA	NO LONGER AVAILABLE, Not available online / Call for pricing and availability
14	001452-000	30" DES DOOR SKIN KIT W/O LOGO - SS	1	EA	
14	001452-006	30" DES DOOR SKIN KIT W/O LOGO - WH	1	EA	Not available online / Call for pricing and availability
15	PE030167	30" DOOR HANDLE	1	EA	
15	PE030167PVD	30" DOOR HANDLE PVD	1	EA	NO LONGER AVAILABLE





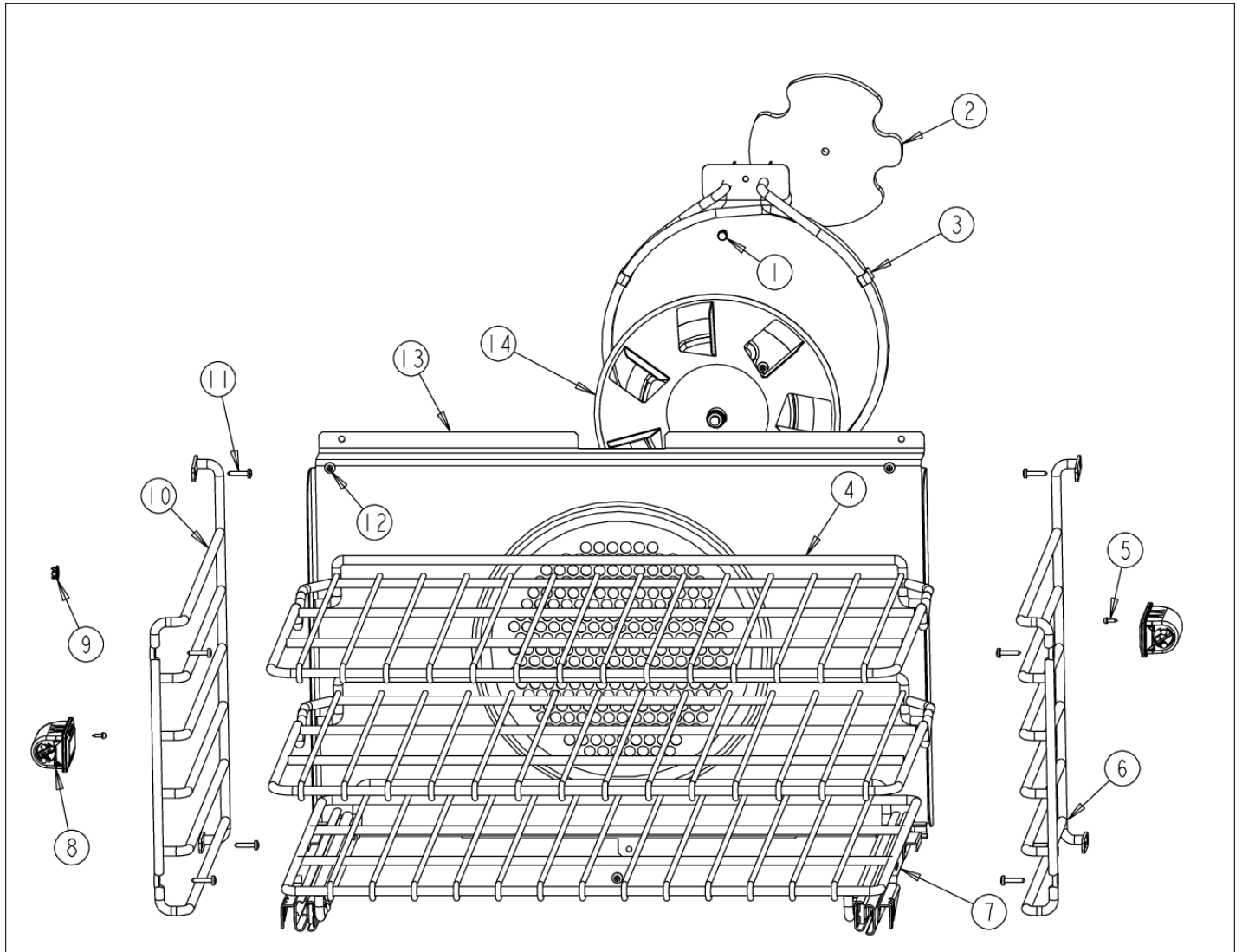
Item	Part No.	Name	Qty	Uom	NOTES
16	001497-000	Designer 30" Insulation Retainer Kit	1	EA	INCLUDES INSULATION
17	PC050002	DESIGNER DOOR HANDLE SPACER	1	EA	
18	PE040285	DESIGNER DOOR TRIM	1	EA	Not available online / Call for pricing and availability
19	PD020186	1/4"-20 X 3/4" HEX WASHER HEAD MS	1	EA	Not available online / Call for pricing and availability
NI	G32014008BK	30" DOOR ASSY W/O LOGO *BK*	1	EA	NO LONGER AVAILABLE
NI	G32014008BKBR	30" DOOR ASSY W/O LOGO *BKBR*	1	EA	NO LONGER AVAILABLE, Not available online / Call for pricing and availability
NI	G32014008BT	30" DOOR ASSY W/O LOGO *BT*	1	EA	NO LONGER AVAILABLE, Not available online / Call for pricing and availability
NI	G32014008BTBR	30" DOOR ASSY W/O LOGO *BTBR*	1	EA	NO LONGER AVAILABLE, Not available online / Call for pricing and availability
NI	G32014008GG	30" DOOR ASSY W/O LOGO *GG*	1	EA	NO LONGER AVAILABLE
NI	G32014008GGBR	30" DOOR ASSY W/O LOGO *GGBR*	1	EA	NO LONGER AVAILABLE, Not available online / Call for pricing and availability
NI	G32014008SG	30" DOOR ASSY W/O LOGO *SG*	1	EA	NO LONGER AVAILABLE, Not available online / Call for pricing and availability
NI	G32014008SGBR	30" DOOR ASSY W/O LOGO *SGBR*	1	EA	NO LONGER AVAILABLE, Not available online / Call for pricing and availability
NI	G32014008SS	30" DOOR ASSY W/O LOGO	1	EA	Not available online / Call for pricing and availability





Item	Part No.	Name	Qty	Uom	NOTES
NI	G32014008SSBR	30" DOOR ASSY W/O LOGO *SSBR*	1	EA	NO LONGER AVAILABLE, Not available online / Call for pricing and availability
NI	G32014008WH	30" DOOR ASSY W/O LOGO *WH*	1	EA	NO LONGER AVAILABLE
NI	G32014008WHBR	COMPLETE DOOR ASSEMBLY - WHBR	1	EA	Not available online / Call for pricing and availability
NI	017736-000	WINDOW PACK INSULATION KIT	1	EA	

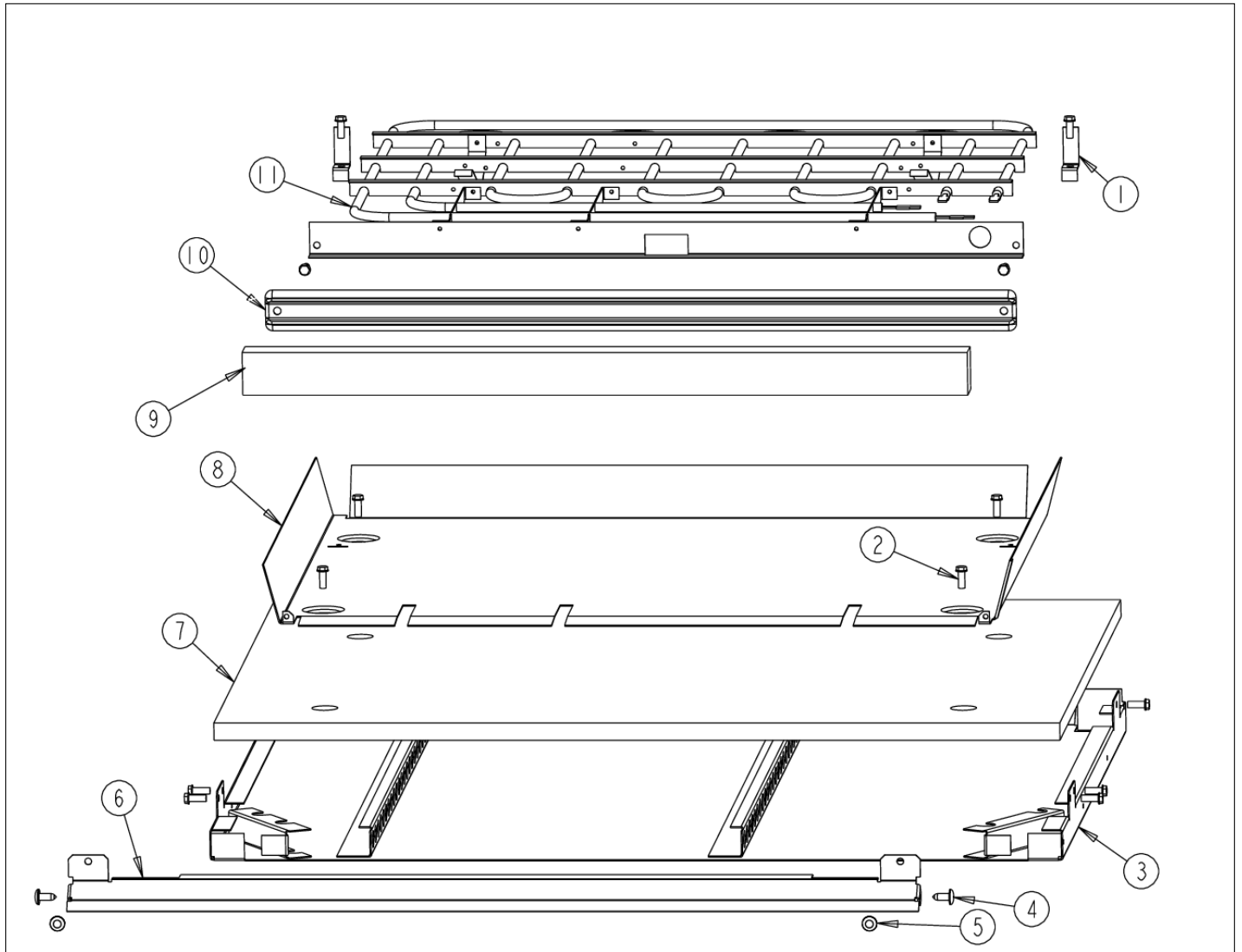
LOWER OVEN CAVITY INTERIOR





Item	Part No.	Name	Qty	Uom	NOTES
1	PD020060	10 X 1/2" (5/16)HEX WSHER HD.(T)A	1	EA	
2	PB070312	CONVECTION MOTOR MTG. PLATE INSULATION	1	EA	
3	PJ010047	CONVECTION ELEMENT	1	EA	
4	PB060107	30" OVEN RACK	1	EA	
5	PD020013	TYPE "AB" #6 X 3/8 PH PAN HD. SMS	1	EA	
6	PB060103	RACK SUPPORT RH	1	EA	
7	024102-000	PULLOUT RACK, 30"	1	EA	
8	005311-000	LAMP, OVEN, 120V/25W	1	EA	
9	E91014053	PORCELAIN 25/64" HOLE PLUG	1	EA	Not available online / Call for pricing and availability
10	PB060104	RACK SUPPORT LH	1	EA	
11	PD020232	#8 X 3/4" PH PAN HEAD TEK SCREW (BLACK OXIDE)	1	EA	
12	PD020055	' #10 X 1/2" PAN PHIL. TEK.*SS*	1	EA	
13	G91013598	30" BAFFLE ASSEMBLY	1	EA	
14	G32014020	CONVECTION FAN ASSY	1	EA	

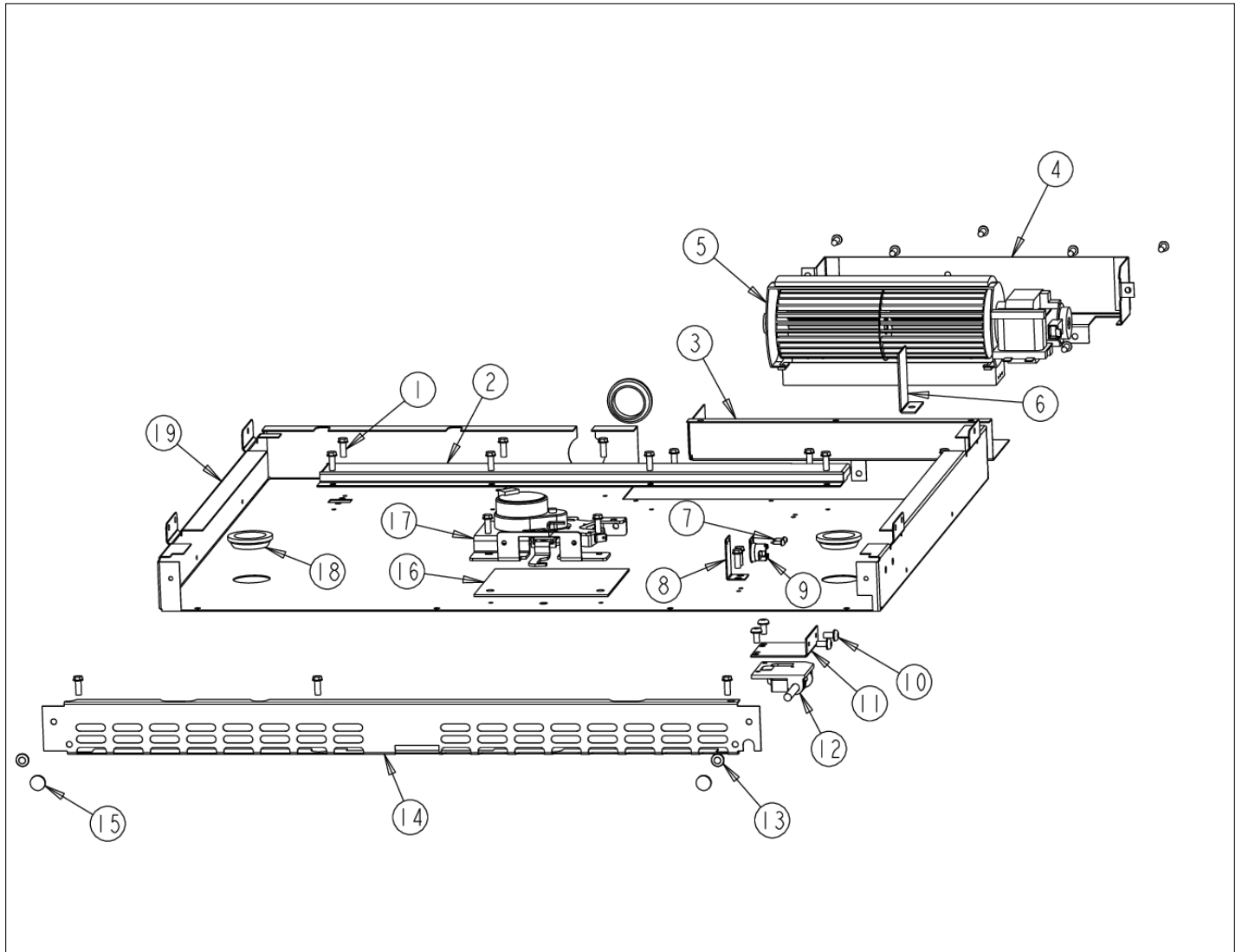
LOWER OVEN LOWER CAVITY





Item	Part No.	Name	Qty	Uom	NOTES
1	A2009696	HOLDER, BAKE ELEMENT	1	EA	
2	PD020060	10 X 1/2" (5/16)HEX WSHER HD.(T)A	1	EA	
3	G3009694	BASE MODULE ASSY 30"	1	EA	
4	PD020002	10 X 1/2 PH.TR.HD.SMS.	1	EA	
5	PD020063	SCREW-#8(A) X 3/8"PH WFR HD/BK OXID	1	EA	
6	C9009676BK	BOTTOM AIR DEFLECTOR 30"	1	EA	
7	PB070303	30" BOTTOM INSULATION	1	EA	
8	A2009612	ELEMENT, MTG TRAY	1	EA	
9	PB070309	BAKE ELEMENT INSULATION	1	EA	
10	E9109655	COVER, BAKE TRAY	1	EA	
11	PJ010048	BAKE ELEMENT	1	EA	

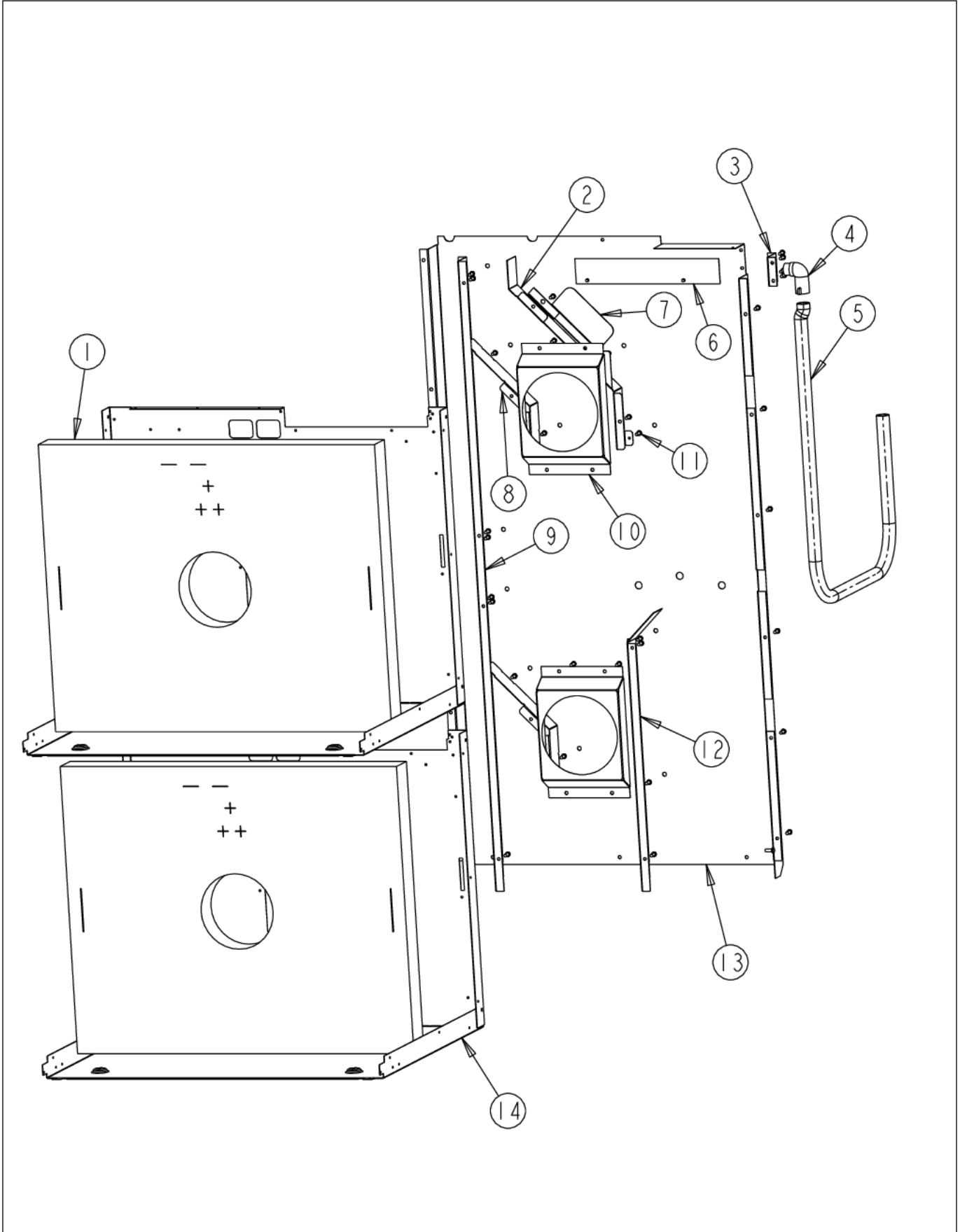
MIDDLE UNIT AREA





Item	Part No.	Name	Qty	Uom	NOTES
1	PD020060	10 X 1/2" (5/16)HEX WSHER HD.(T)A	1	EA	
2	A2009682	CATALYST EXHAUST, MIDDLE MODULE	1	EA	
3	A2009659	Blower Bracket	1	EA	
4	A3009660	BRACKET, BLOWER, DBL LOWER OVEN	1	EA	
5	PE050250	Blower	1	EA	
<p>Comments for Part Num. PE050250</p> <p>highendappsvc@gmail.com on Jan 28, 2019</p> <p>If you need to replace cooling fan for the model vgsc5486gss serial date code 031412, do not order this fan, this fan is larger and configured wrong. The correct fan is 007794-000. it is smaller.</p>					
6	A20014036	BOTTOM BLOWER DIVIDER	1	EA	
7	PD020013	TYPE "AB" #6 X 3/8 PH PAN HD. SMS	1	EA	
8	A20014089	DISC BRACKET	1	EA	
9	PJ030039	BI-METAL THERMOSTAT 275 DEGREES	1	EA	
10	PD020004	10X3/8PH.HD.TYPE 25 REPL PD040125	1	EA	
11	A20012649	DOOR SWITCH BRACKET	1	EA	
12	PE050208	DOOR SWITCH	1	EA	
13	PD020063	SCREW-#8(A) X 3/8"PH WFR HD/BK OXID	1	EA	
14	C9009680BK	INLET GRILL DBL LOWER OVEN 30"	1	EA	
15	PD040004	GROMMET BUMPER	1	EA	
16	PB070321	Lower Latch Insulation	1	EA	
17	013250-000	LATCH,DOOR,ASM,240V,GRID DLE LOCKOUT	1	EA	
18	PB070079	SILICONE EXTRUSION (DGSU)	1	EA	
19	A2009661	MODULE PAN 30"	1	EA	

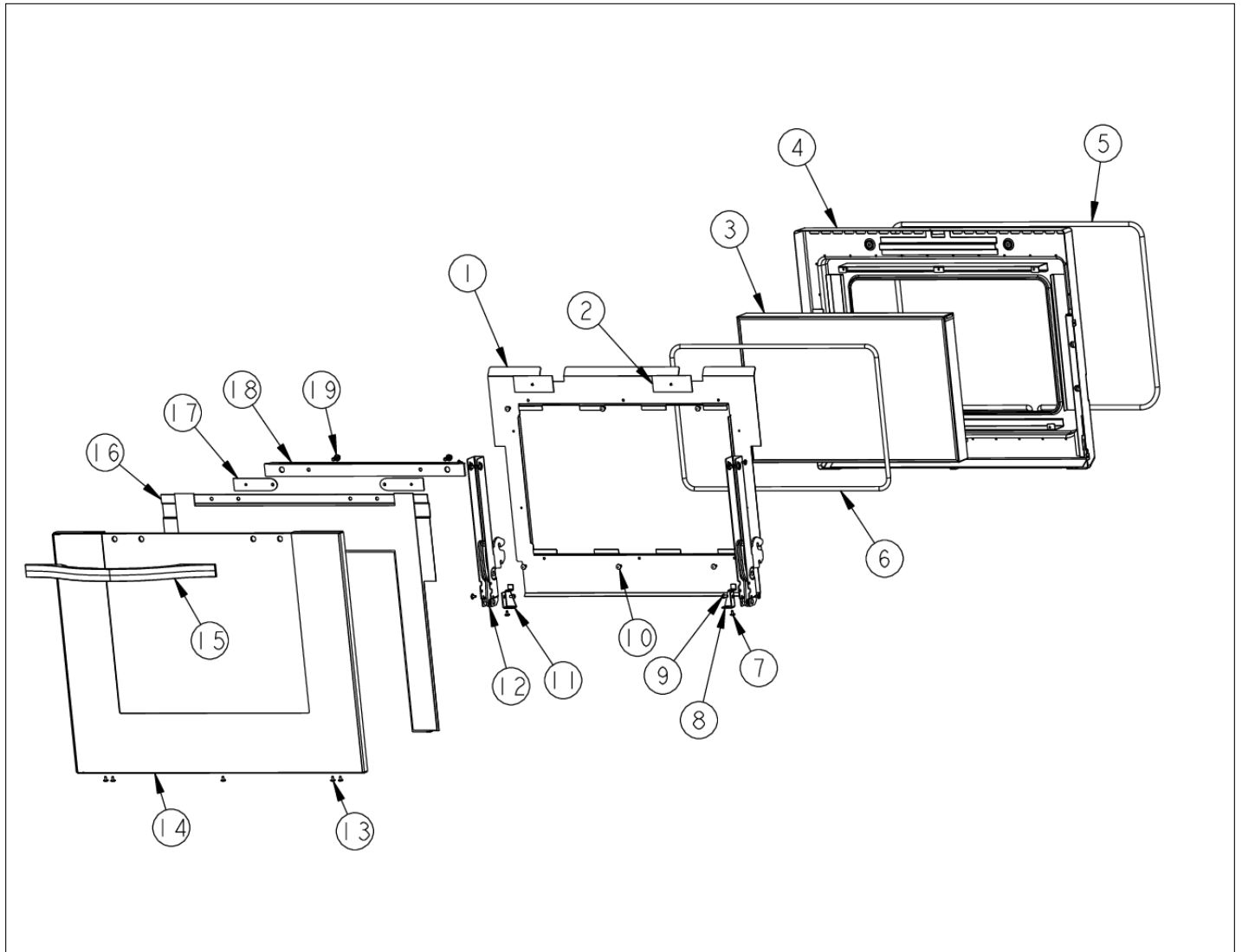
REAR UNIT AREA



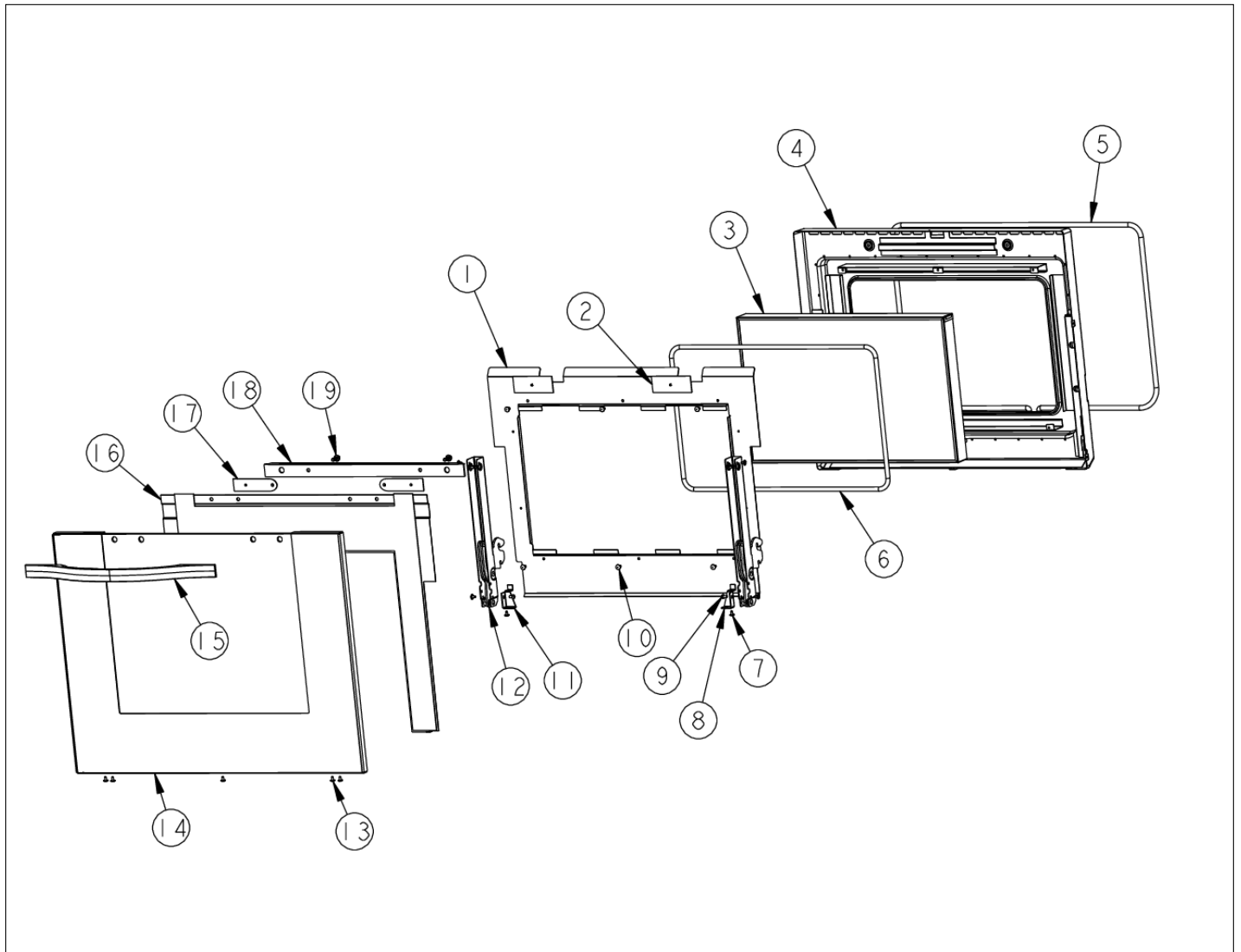


Item	Part No.	Name	Qty	Uom	NOTES
1	PB070304	30" BACK INSULATION	1	EA	NO LONGER AVAILABLE, Not available online / Call for pricing and availability
2	A21010918	BRACKET, AIR, CONVECTION MOTOR	1	EA	NO LONGER AVAILABLE, Not available online / Call for pricing and availability
3	A2009671	BRACKET, POWER CABLE	1	EA	
4	PB040070	CONDUIT FITTING (90 DEG)	1	EA	
5	PB020071	CONDUIT - FLEXIBLE (48")	1	EA	
6	A10010907	COVER, BLOWER	1	EA	
7	A20014052	WIRE SHIELD	1	EA	
8	A21010919	BRACKET, AIR, CONVECTION MOTOR	1	EA	NO LONGER AVAILABLE, Not available online / Call for pricing and availability
9	A2009684	REAR AIR DIVIDER, DOUBLE OVEN	1	EA	
10	A2009697	BRACKET, CONVECTION INSULATION	1	EA	
11	PD020060	10 X 1/2" (5/16)HEX WSHER HD.(T)A	1	EA	
12	050578-000	DUCT, AIR FLOW DIVIDER, WALL OVEN ASSY	1	EA	
13	A2009683	PANEL, REAR	1	EA	NO LONGER AVAILABLE, Not available online / Call for pricing and availability
14	A2009620	BASE, BACK WRAPPER	1	EA	

UPPER DOOR ASSEMBLY



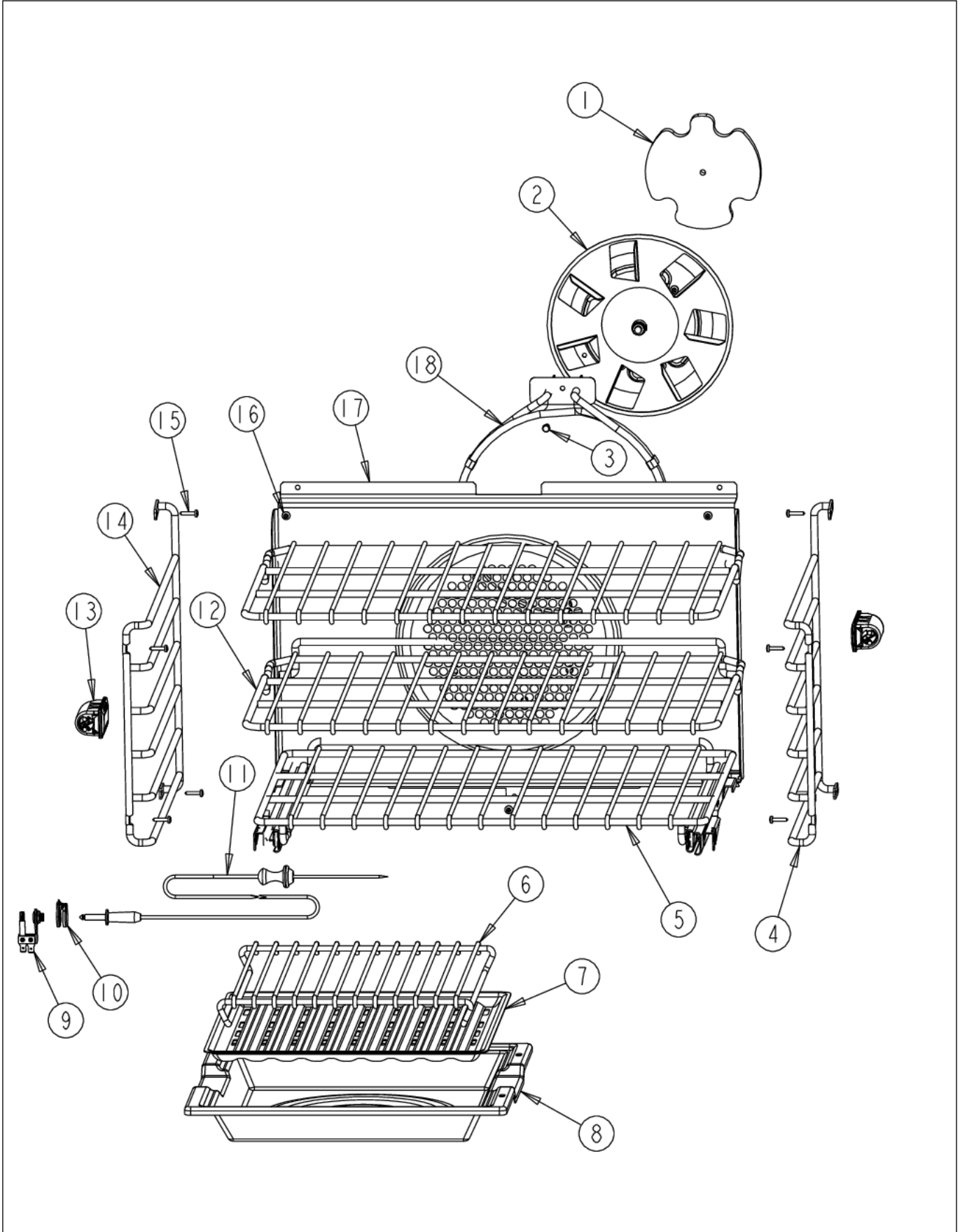
Item	Part No.	Name	Qty	Uom	NOTES
1	A2009632	PANEL, INULATION, INNER DOOR	1	EA	
2	PB070336	Door Bracket Insulation	1	EA	
3	PE060094	30 WINDOW PACK	1	EA	
4	G9109625	DOOR LINER PORC.	1	EA	
5	PB070246	30" DOOR GASKET	1	EA	
6	000594-000	BLACK FIBERGLASS ROPE 3/8	1	EA	
7	PD020063	SCREW-#8(A) X 3/8"PH WFR HD/BK OXID	1	EA	
8	A20012640	HINGE SUPPORT RH	1	EA	
9	PD020004	10X3/8PH.HD.TYPE 25 REPL PD040125	1	EA	
10	PD020002	10 X 1/2 PH.TR.HD.SMS.	1	EA	
11	A20012641	HINGE SUPPORT LH	1	EA	
12	006070-000	HINGE, DOOR, ASM, MANSFIELD, DES, GREEN SPRING	1	EA	
13	PD020032	SRW-8(A)X3/8"PH.WFR HD 7/16DIA*NICL	1	EA	
14	001451-002	30" DES DOOR SKIN KIT W/LOGO - BK	1	EA	
14	001451-003	30" DES DOOR SKIN KIT W/LOGO - BT	1	EA	NO LONGER AVAILABLE
14	001451-005	30" DES DOOR SKIN KIT W/LOGO - GG	1	EA	NO LONGER AVAILABLE
14	001451-004	30" DES DOOR SKIN KIT W/LOGO - SG	1	EA	NO LONGER AVAILABLE
14	001451-000	30" DES DOOR SKIN KIT W/LOGO - SS	1	EA	
14	001451-006	30" DES DOOR SKIN KIT W/LOGO - WH	1	EA	
15	PE030167	30" DOOR HANDLE	1	EA	
15	PE030167PVD	30" DOOR HANDLE PVD	1	EA	NO LONGER AVAILABLE
16	001497-000	Designer 30" Insulation Retainer Kit	1	EA	INCLUDES INSULATION
17	PC050002	DESIGNER DOOR HANDLE SPACER	1	EA	
18	PE040285	DESIGNER DOOR TRIM	1	EA	Not available online / Call for pricing and availability





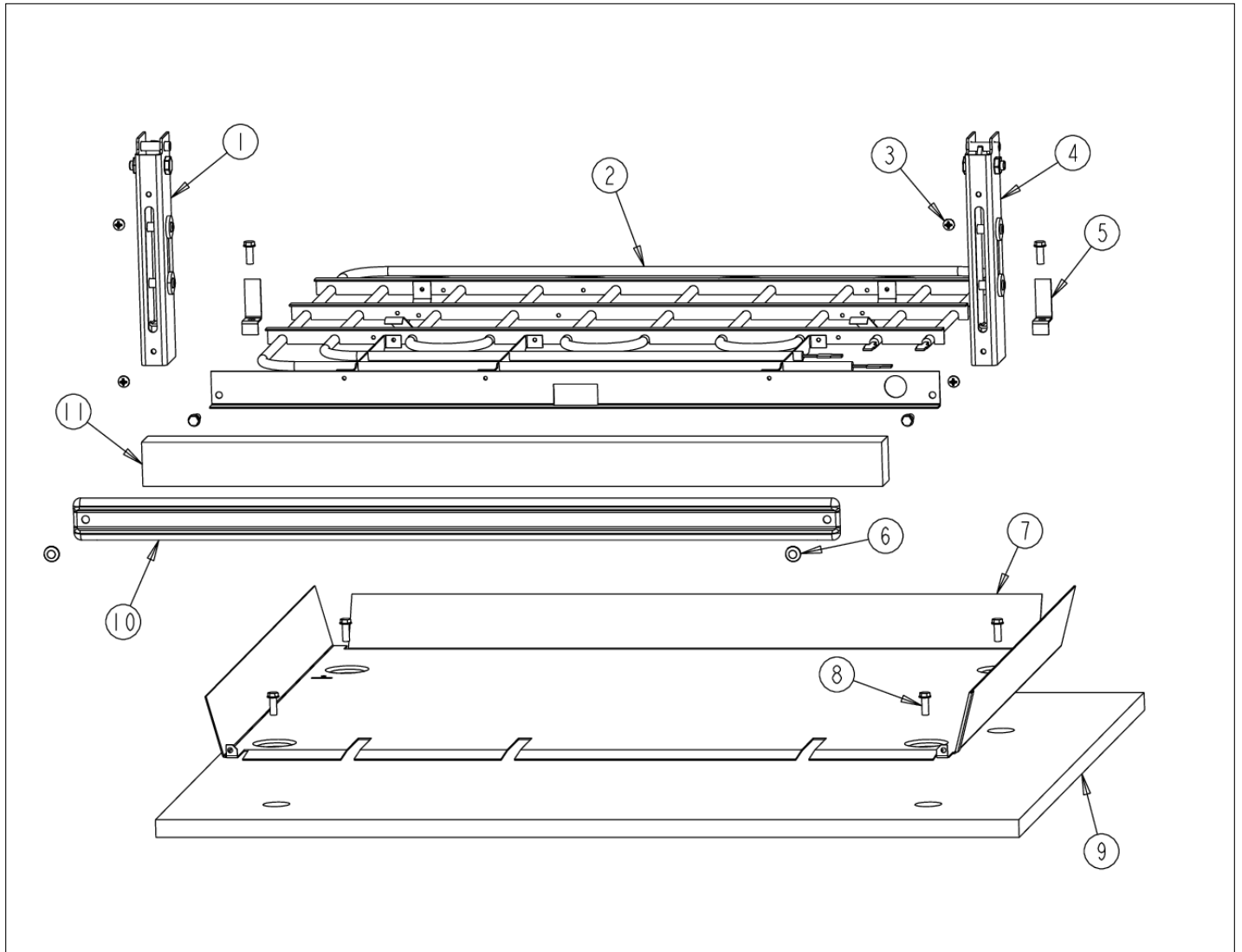
Item	Part No.	Name	Qty	Uom	NOTES
19	PD020186	1/4"-20 X 3/4" HEX WASHER HEAD MS	1	EA	Not available online / Call for pricing and availability
NI	G32012750BK	30" DOOR ASSY W/LOGO *BK*	1	EA	NO LONGER AVAILABLE
NI	G32012750BKBR	30" DOOR ASSY W/LOGO *BKBR*	1	EA	NO LONGER AVAILABLE, Not available online / Call for pricing and availability
NI	G32012750BT	30" DOOR ASSY W/LOGO *BT*	1	EA	NO LONGER AVAILABLE, Not available online / Call for pricing and availability
NI	G32012750BTBR	30" DOOR ASSY W/LOGO *BTBR*	1	EA	NO LONGER AVAILABLE, Not available online / Call for pricing and availability
NI	G32012750GG	30" DOOR ASSY W/LOGO *GG*	1	EA	NO LONGER AVAILABLE
NI	G32012750GGBR	30" DOOR ASSY W/LOGO *GGBR*	1	EA	NO LONGER AVAILABLE, Not available online / Call for pricing and availability
NI	G32012750SG	30" DOOR ASSY W/LOGO *SG*	1	EA	NO LONGER AVAILABLE
NI	G32012750SGBR	30" DOOR ASSY W/LOGO *SGBR*	1	EA	NO LONGER AVAILABLE, Not available online / Call for pricing and availability
NI	G32012750SS	30" DOOR ASSY W/LOGO	1	EA	
NI	G32012750SSBR	COMPLETE DOOR ASSEMBLY - SSBR	1	EA	
NI	G32012750WH	30" DOOR ASSY W/LOGO *WH*	1	EA	NO LONGER AVAILABLE
NI	G32012750WHBR	COMPLETE DOOR ASSEMBLY - WHBR	1	EA	Not available online / Call for pricing and availability
NI	017736-000	WINDOW PACK INSULATION KIT	1	EA	

UPPER OVEN CAVITY INTERIOR



Item	Part No.	Name	Qty	Uom	NOTES
1	PB070312	CONVECTION MOTOR MTG. PLATE INSULATION	1	EA	
2	G32014020	CONVECTION FAN ASSY	1	EA	
3	PD020060	10 X 1/2" (5/16)HEX WSHER HD.(T)A	1	EA	
4	PB060103	RACK SUPPORT RH	1	EA	
5	024102-000	PULLOUT RACK, 30"	1	EA	
6	PB080020	BROILER PAN RACK	1	EA	
7	E9107934	BROILER PAN INSERT - NLA	1	EA	
8	E9107933	BROILER PAN	1	EA	
9	PE050115	MEAT PROBE JACK (SWITCHCRAFT'S PART# 3J1505)	1	EA	
<p>Comments for Part Num. PE050115</p> <p>bradleysapplianceservice@shaw.ca on May 8, 2017 Meat probe is not illustrated on Parts Break Down. PE050114 MEAT PROBE</p>					
10	PM010160	MEAT PROBE JACK COVER (SWITCHCRAFT'S PART# 2C1098)	1	EA	
11	PE050114	MEAT PROBE (DESO/DEDO) (SWITCHCRAFT'S PART # 4C7919)	1	EA	
12	PB060107	30" OVEN RACK	1	EA	
13	005311-000	LAMP, OVEN, 120V/25W	1	EA	
14	PB060104	RACK SUPPORT LH	1	EA	
15	PD020232	#8 X 3/4" PH PAN HEAD TEK SCREW (BLACK OXIDE)	1	EA	
16	PD020055	' #10 X 1/2" PAN PHIL. TEK.*SS*	1	EA	
17	G91013598	30" BAFFLE ASSEMBLY	1	EA	
18	PJ010047	CONVECTION ELEMENT	1	EA	

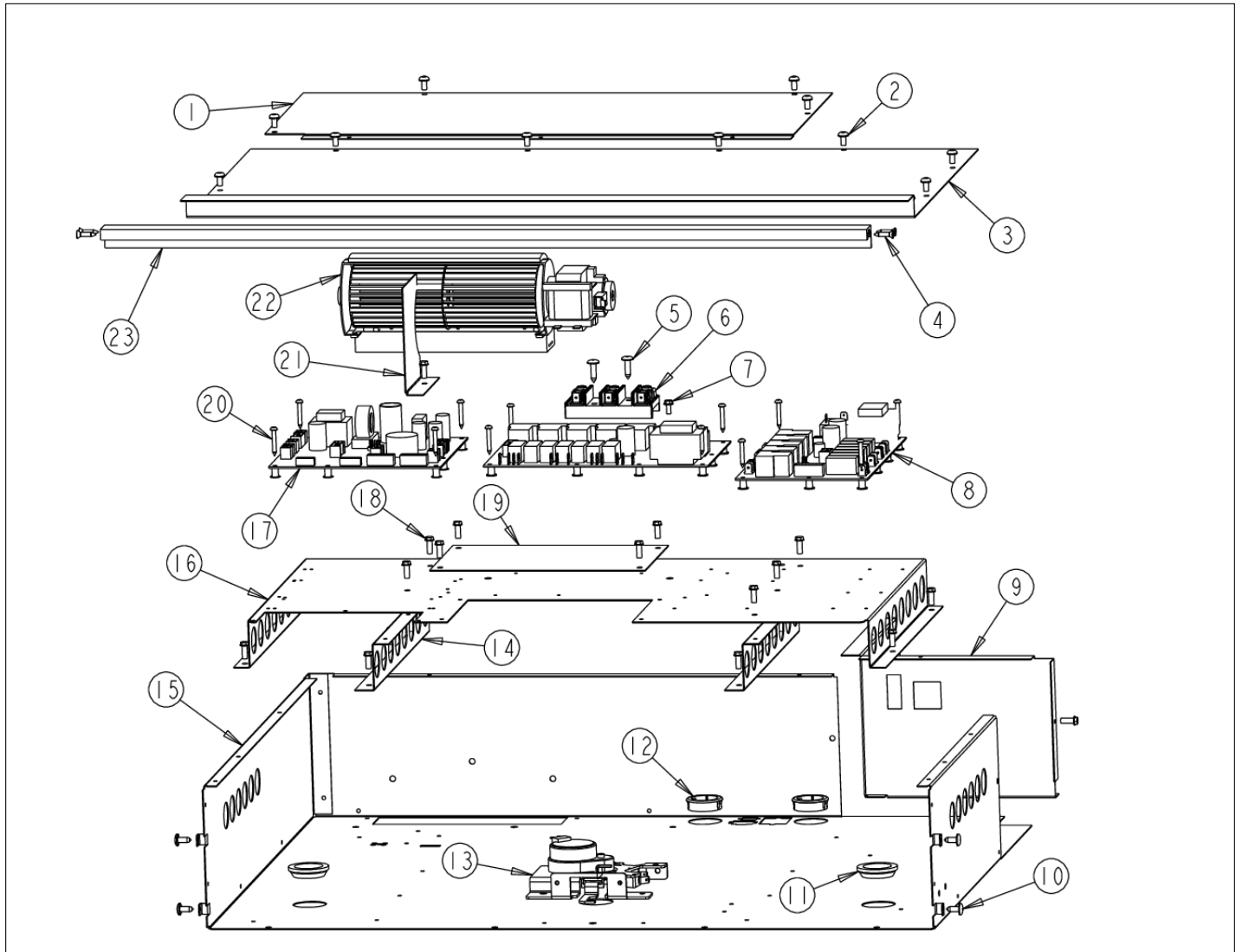
UPPER OVEN LOWER CAVITY



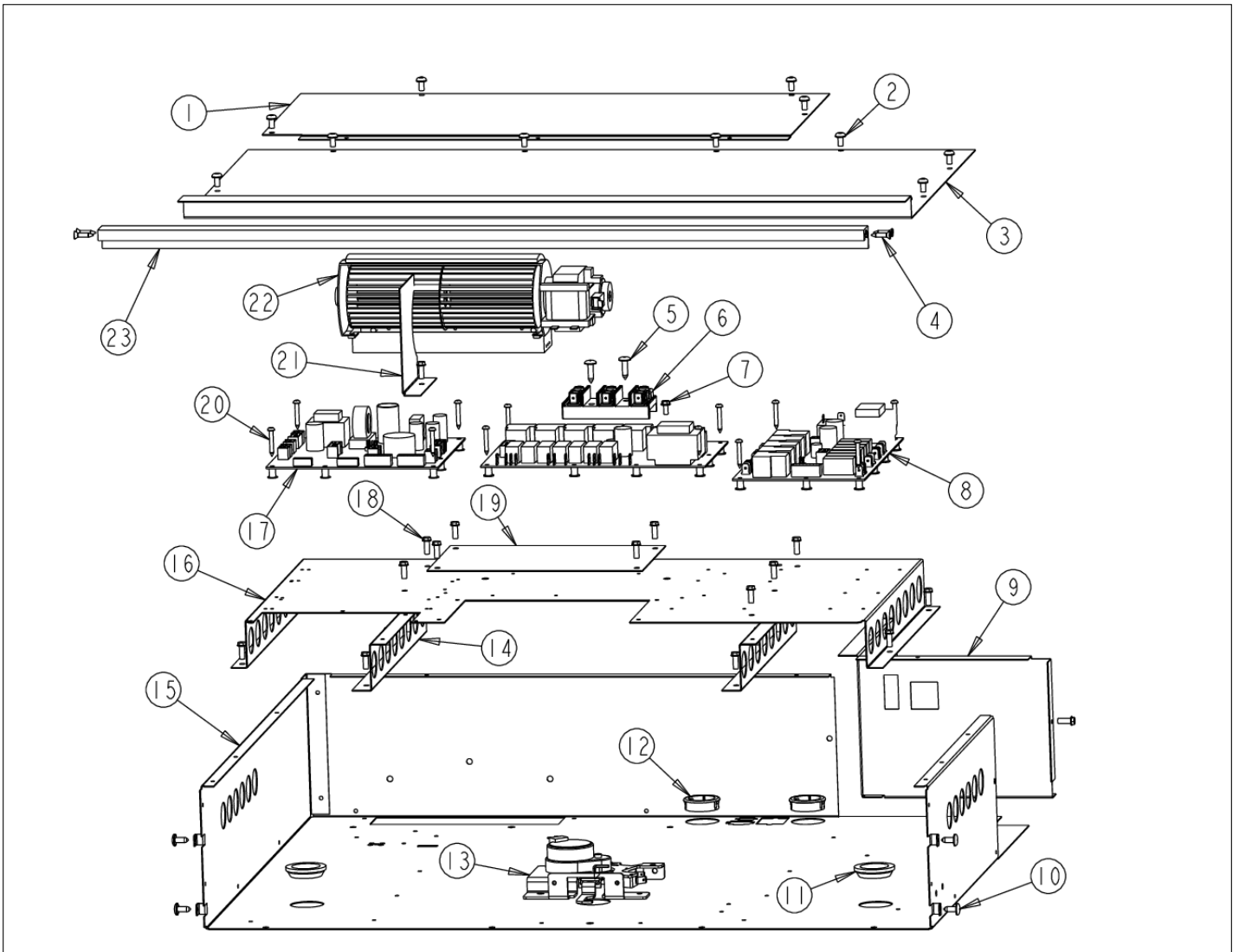


Item	Part No.	Name	Qty	Uom	NOTES
1	PC020247	HINGE POCKET RECEIVER MANSFIELD LH	1	EA	
2	PJ010048	BAKE ELEMENT	1	EA	
3	PD020062	#8-32 X 3/8 PHMS TYPE 1	1	EA	
4	PC020221	HINGE POCKET RECEIVER MANSFIELD RH	1	EA	
5	A2009696	HOLDER, BAKE ELEMENT	1	EA	
6	PD020063	SCREW-#8(A) X 3/8"PH WFR HD/BK OXID	1	EA	
7	A2009612	ELEMENT, MTG TRAY	1	EA	
8	PD020060	10 X 1/2" (5/16)HEX WSHR HD.(T)A	1	EA	
9	PB070303	30" BOTTOM INSULATION	1	EA	
10	E9109655	COVER, BAKE TRAY	1	EA	
11	PB070309	BAKE ELEMENT INSULATION	1	EA	

UPPER UNIT AREA



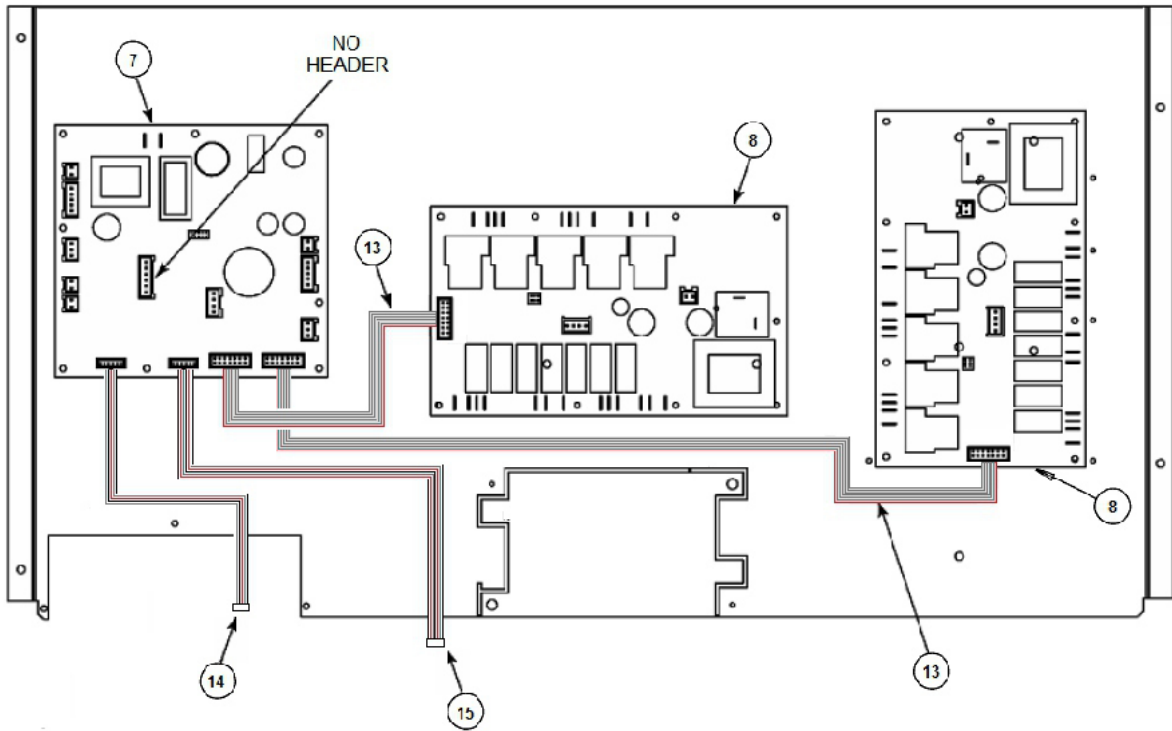
Item	Part No.	Name	Qty	Uom	NOTES
1	A20014049	30" REAR COVER	1	EA	
2	PD020004	10X3/8PH.HD.TYPE 25 REPL PD040125	1	EA	
3	A20014048	Front Cover	1	EA	NO LONGER AVAILABLE, Not available online / Call for pricing and availability
4	PD020061	' #8 X 3/4 FLAT HD TEK. *SS*	1	EA	
5	PD020014	10X3/4 PH TR HD SMS	1	EA	
6	PE070147	TERMINAL BLOCK (VDSC)	1	EA	
7	PD020010	10 X 3/8 GREEN GROUNDING SCREW	1	EA	
8	PE050234	RELAY BOARD	1	EA	
9	A20010934	BRACKET, MODULE PAN	1	EA	
10	PD020002	10 X 1/2 PH.TR.HD.SMS.	1	EA	
11	PB070079	SILICONE EXTRUSION (DGSU)	1	EA	
12	PD040152	SNAP BUSHING	1	EA	
13	013250-000	LATCH,DOOR,ASM,240V,GRID DLE LOCKOUT	1	EA	
14	A20010910	Support Bracket, Electronics Hat	1	EA	Not available online / Call for pricing and availability
15	A2009643	Top Module Pan	1	EA	
16	A2009672	Electronics Hat	1	EA	NO LONGER AVAILABLE, Not available online / Call for pricing and availability
17	PE050233	Control Board	1	EA	
18	PD020060	10 X 1/2" (5/16)HEX WSHER HD.(T)A	1	EA	
19	A10010911	Latch Cover	1	EA	
20	PD020185	Screw, 6 X 1" Pan Head	1	EA	
21	A2009667	REAR AIR DIVIDER	1	EA	
22	PE050250	Blower	1	EA	





Item	Part No.	Name	Qty	Uom	NOTES
Comments for Part Num. PE050250					
highendappsvc@gmail.com on Jan 28, 2019					
If you need to replace cooling fan for the model vgsc5486gss serial date code 031412, do not order this fan, this fan is larger and configured wrong. The correct fan is 007794-000. it is smaller.					
23	PE040280	30" DES. TOP TRIM	1	EA	NO LONGER AVAILABLE

WIRING





Item	Part No.	Name	Qty	Uom	NOTES
1	PE070845	TOUCH CONTROL KEYBOARD HARNESS	1	EA	
2	PE070846	TOUCH CONTROL DISPLAY HARNESS	1	EA	



Appendix A:Pages Index

BROIL ELEMENT AREA 1
CONTROL AREA 2
CONTROL BD WIRING 3
EXTERIOR OVEN CAVITY AREA 4
LOWER DOOR ASSEMBLY 5
LOWER OVEN CAVITY INTERIOR 6
LOWER OVEN LOWER CAVITY 7
MIDDLE UNIT AREA 8
REAR UNIT AREA 9
UPPER DOOR ASSEMBLY 10
UPPER OVEN CAVITY INTERIOR 11
UPPER OVEN LOWER CAVITY 12
UPPER UNIT AREA 13
WIRING 14



Appendix B:Parts Index

000594-000	5, 10	A20014049	13
001451-000	10	A20014052	9
001451-002	10	A20014089	8
001451-003	10	A2009612	7, 12
001451-004	10	A2009620	9
001451-005	10	A2009622	4
001451-006	10	A2009632	5, 10
001452-000	5	A2009641	1
001452-002	5	A2009643	13
001452-003	5	A2009659	8
001452-004	5	A2009661	8
001452-005	5	A2009667	13
001452-006	5	A2009671	9
001497-000	5, 10	A2009672	13
005311-000	6, 11	A2009682	8
006070-000	5, 10	A2009683	9
013250-000	8, 13	A2009684	9
013621-000	1	A2009696	7, 12
016021-000	1	A2009697	9
017736-000	5, 10	A21010918	9
020403-000	1	A21010919	9
024040-000	1	A3009660	8
024102-000	6, 11	B21010915	4
024221-000	1	B21010916	4
024234-000	1	C90014072BK	2
036047-000	2	C9009676BK	7
050578-000	9	C9009680BK	8
057872-000	1	E91014053	6
A10010907	9	E9107933	11
A10010911	13	E9107934	11
A10014027	2	E9109655	7, 12
A20010910	13	G3009694	7
A20010934	13	G32012750BK	10
A20012640	5, 10	G32012750BKBR	10
A20012641	5, 10	G32012750BT	10
A20012649	2, 8	G32012750BTBR	10
A20012650	4	G32012750GG	10
A20014024	2	G32012750GGBR	10
A20014036	8	G32012750SG	10
A20014048	13	G32012750SGBR	10
		G32012750SS	10



G32012750SSBR	10	PD020004	2, 5, 8, 10, 13
G32012750WH	10	PD020010	13
G32012750WHBR	10	PD020013	2, 6, 8
G32014008BK	5	PD020014	4, 13
G32014008BKBR	5	PD020032	5, 10
G32014008BT	5	PD020055	1, 6, 11
G32014008BTBR	5	PD020060	1, 2, 4, 6, 7, 8, 9, 11, 12, 13
G32014008GG	5	PD020061	4, 13
G32014008GGBR	5	PD020062	12
G32014008SG	5	PD020063	5, 7, 8, 10, 12
G32014008SGBR	5	PD020185	13
G32014008SS	5	PD020186	5, 10
G32014008SSBR	5	PD020232	6, 11
G32014008WH	5	PD030172	2
G32014008WHBR	5	PD040004	2, 8
G32014020	6, 11	PD040152	13
G91013598	6, 11	PD040164	2
G9109625	5, 10	PE030167	5, 10
PB020071	9	PE030167PVD	5, 10
PB020275	1	PE040280	13
PB040070	9	PE040283	4
PB060103	6, 11	PE040284	4
PB060104	6, 11	PE040285	5, 10
PB060107	6, 11	PE050114	11
PB070079	8, 13	PE050115	11
PB070246	5, 10	PE050206	1
PB070302	4	PE050208	2, 8
PB070303	7, 12	PE050233	3, 13
PB070304	9	PE050234	3, 13
PB070305	1	PE050250	8, 13
PB070308	1	PE060094	5, 10
PB070309	7, 12	PE070147	13
PB070312	6, 11	PE070733	3
PB070321	8	PE070735	3
PB070336	5, 10	PE070739	3
PB070337	1	PE070843	3
PB080020	11	PE070845	3, 14
PC020221	12	PE070846	3, 14
PC020247	12	PE070882	3
PC050002	5, 10	PE070883	3
PD020002	4, 5, 7, 10, 13	PE070884	3



PE070885 3
PE070888 3
PJ010047 6, 11
PJ010048 7, 12
PJ030039 8
PJ030043 2
PM010014 1
PM010160 11
PS500027BK 2
PS500027BT 2
PS500027GG 2
PS500027SG 2
PS500027SS 2
PS500027WH 2