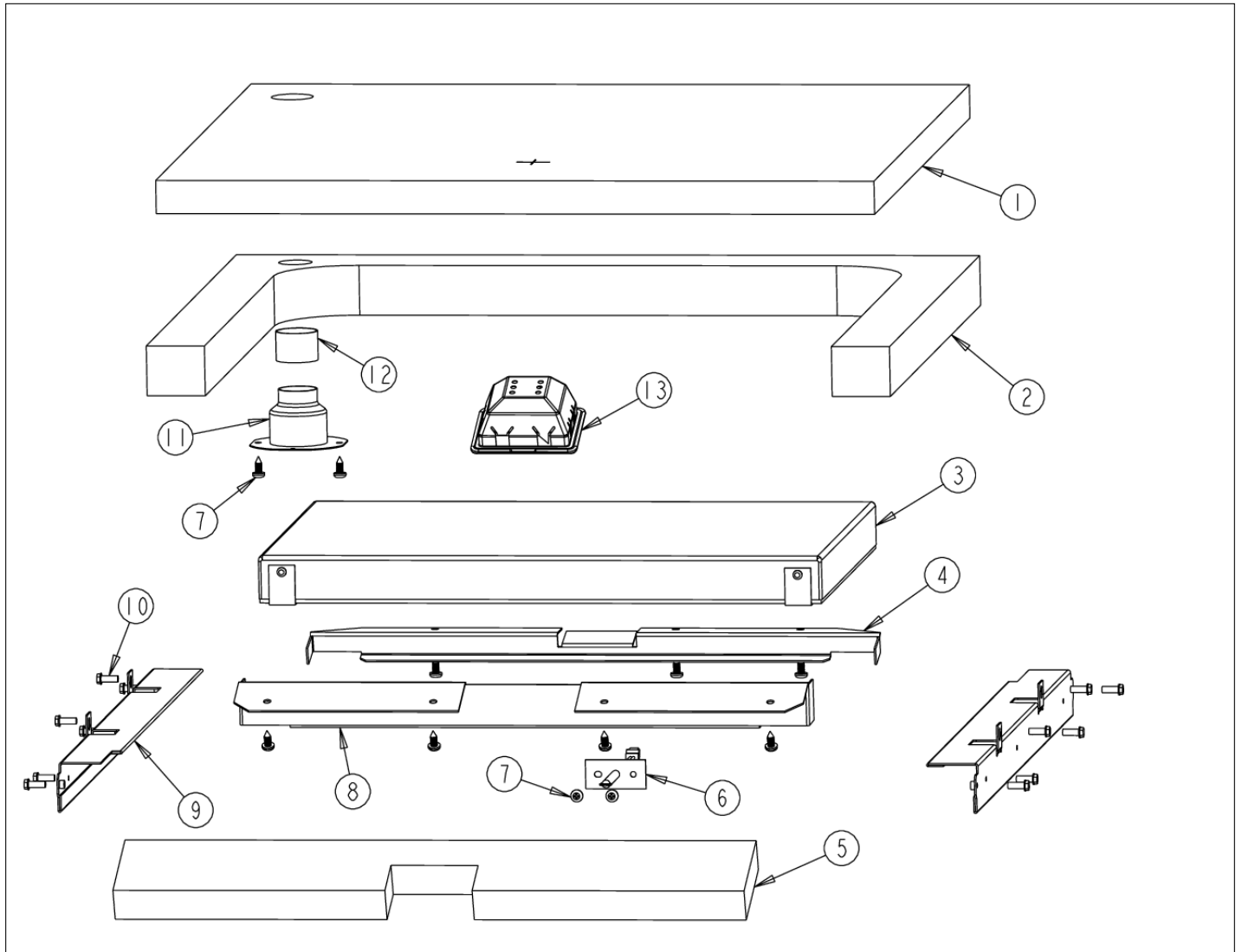


DEDO527T

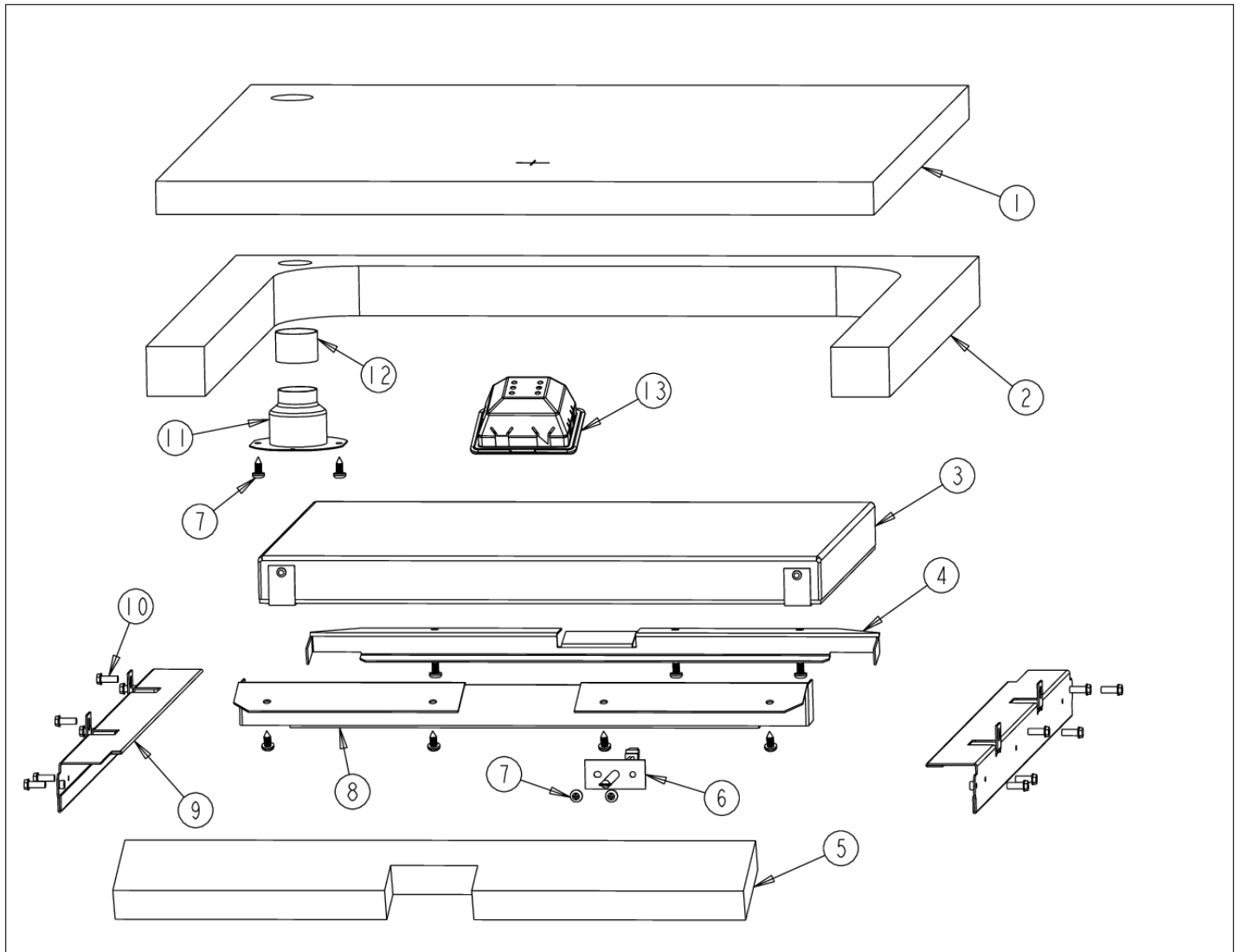
BROIL ELEMENT AREA	1
CONTROL AREA	2
EXTERIOR OVEN CAVITY AREA	3
LOWER DOOR ASSEMBLY	4
LOWER OVEN CAVITY INTERIOR	5
LOWER OVEN LOWER CAVITY	6
MIDDLE UNIT AREA	7
REAR UNIT AREA	8
UPPER DOOR ASSEMBLY	9
UPPER OVEN CAVITY INTERIOR	10
UPPER OVEN LOWER CAVITY	11
UPPER UNIT AREA	12
WIRING	13
Appendix A:Pages Index	A
Appendix B:Parts Index	B

BROIL ELEMENT AREA





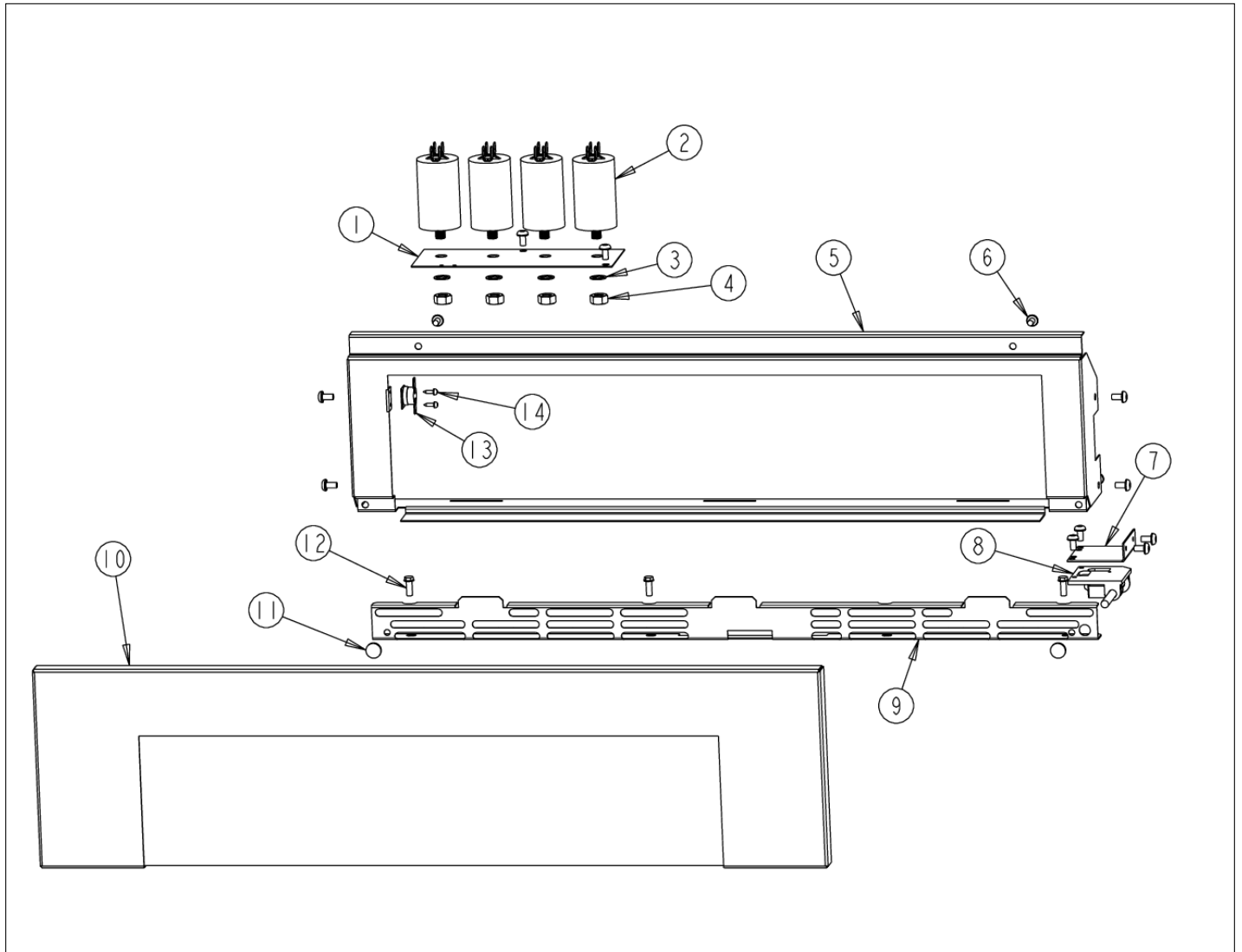
Item	Part No.	Name	Qty	Uom	NOTES
1	PB070307	Top Insulation	1	EA	Not available online / Call for pricing and availability
2	PB070306	Top Broil Insulation	1	EA	Not available online / Call for pricing and availability
3	024040-000	ELEMENT, RIBBON	1	EA	
<p>Comments for Part Num. 024040-000</p> <p>jhobbs@kimballinc.com on Jan 4, 2019 Please Correct the part number on this (057872-000)</p>					
Not Shown	NOTE	(BEFORE 07/24/14)		EA	
3	057872-000	ELEMENT, BRL, ASM	1	EA	
<p>Comments for Part Num. 057872-000</p> <p>gboltz@VikingRange.com on Aug 17, 2018 When replacing the Ceramaspeed Broiler element (024040-000) with the EGO element, the original rear broiler bracket will need to be replaced with a replacement rear bracket, (013621-000) and a cover (016021-000)</p>					
Not Shown	NOTE	(ON OR AFTER 07/24/14)		EA	
4	024221-000	BRACKET, BROILER, REAR	1	EA	
Not Shown	NOTE	(BEFORE 07/24/14)		EA	
4	013621-000	BRACKET, BRL, REAR	1	EA	
<p>Comments for Part Num. 013621-000</p> <p>gboltz@VikingRange.com on Feb 5, 2016 After 1-22-2015</p>					
Not Shown	NOTE	(ON OR AFTER 07/24/14)		EA	
NI	016021-000	COVER, TERM, BROILER	1	EA	
Not Shown	NOTE	(ON OR AFTER 07/24/14)		EA	
5	PB070337	Liner Insulation	1	EA	
6	PE050206	RTD THERMOSTAT PROBE	1	EA	
7	PD020055	' #10 X 1/2" PAN PHIL. TEK.*SS*	1	EA	



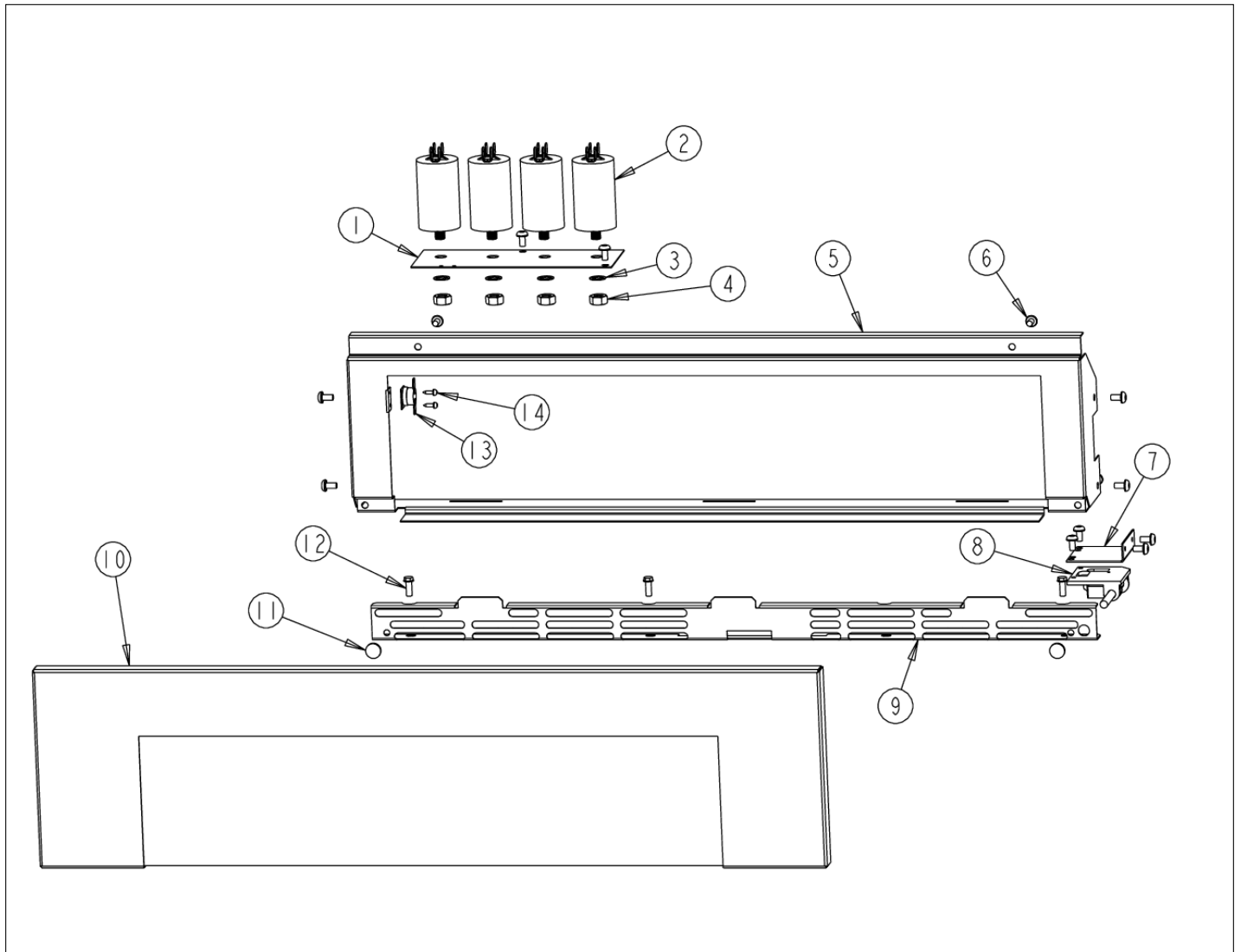


Item	Part No.	Name	Qty	Uom	NOTES
8	024234-000	BRACKET, BROILER, FRONT	1	EA	
9	A2009641	BRKT, TOP WRAPPER	1	EA	
10	PD020060	10 X 1/2" (5/16)HEX WSHR HD.(T)A	1	EA	
11	PM010014	SMOKE ELIMINATOR (VDSC)	1	EA	
12	PB020275	VENT TUBE	1	EA	
13	020403-000	LAMP, OVEN, 120V/40W	1	EA	

CONTROL AREA



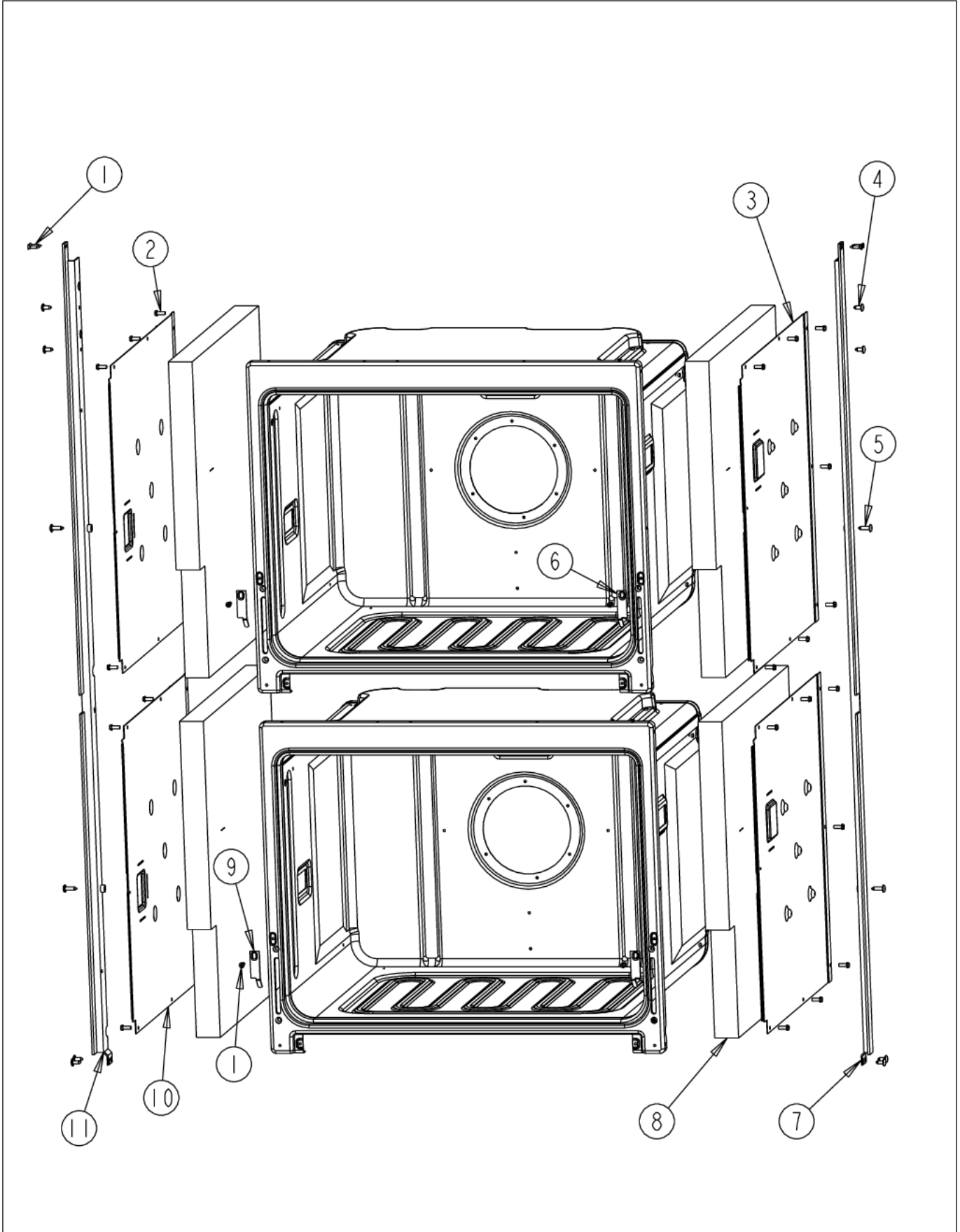
Item	Part No.	Name	Qty	Uom	NOTES
1	A10014027	4 CAPACITOR BRACKET	1	EA	
2	036047-000	CAPACITOR, CONV MOTOR, INTL	1	EA	
3	PD040164	5/16 INTERNAL TOOTH LOCK WASHER TYPE A	1	EA	
4	PD030172	M8 X 1.25MM NUT	1	EA	
5	A20014023	TOUCH CONTROL MTG. PNL. 27"	1	EA	NO LONGER AVAILABLE, Not available online / Call for pricing and availability
6	PD020004	10X3/8PH.HD.TYPE 25 REPL PD040125	1	EA	
7	A20012649	DOOR SWITCH BRACKET	1	EA	
8	PE050208	DOOR SWITCH	1	EA	
9	C90014073BK	Inlet Grille - BK	1	EA	
10	PS500025BK	27" PREMIERE TOUCH DOUBLE CONTROL PANEL ASSY - BK	1	EA	NO LONGER AVAILABLE, Not available online / Call for pricing and availability
10	PS500025BT	27" PREMIERE TOUCH DOUBLE CONTROL PANEL ASSY - BT	1	EA	NO LONGER AVAILABLE, Not available online / Call for pricing and availability
10	PS500025GG	27" PREMIERE TOUCH DOUBLE CONTROL PANEL ASSY - GG	1	EA	NO LONGER AVAILABLE, Not available online / Call for pricing and availability
10	PS500025SG	27" PREMIERE TOUCH DOUBLE CONTROL PANEL ASSY - SG	1	EA	NO LONGER AVAILABLE, Not available online / Call for pricing and availability
10	PS500025SS	27" PREMIERE TOUCH DOUBLE CONTROL PANEL ASSY - SS	1	EA	NO LONGER AVAILABLE
10	PS500025WH	27" PREMIERE TOUCH DOUBLE CONTROL PANEL ASSY - WH	1	EA	NO LONGER AVAILABLE, Not available online / Call for pricing and availability
11	PD040004	GROMMET BUMPER	1	EA	
12	PD020060	10 X 1/2" (5/16)HEX WSHER HD.(T)A	1	EA	





Item	Part No.	Name	Qty	Uom	NOTES
13	PJ030043	Bi Metal Thermostat - 150 Degrees	1	EA	
14	PD020013	TYPE "AB" #6 X 3/8 PH PAN HD. SMS	1	EA	

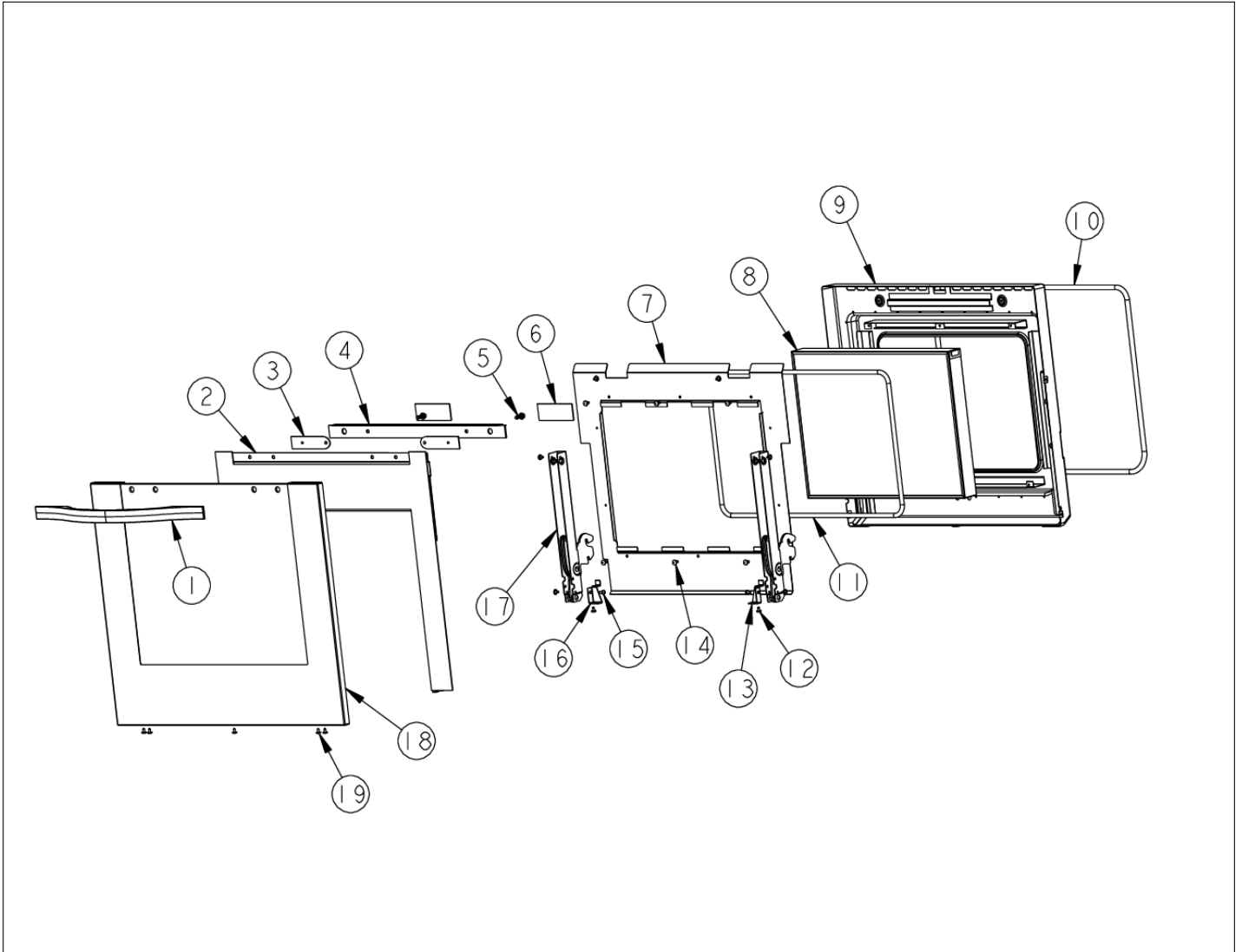
EXTERIOR OVEN CAVITY AREA





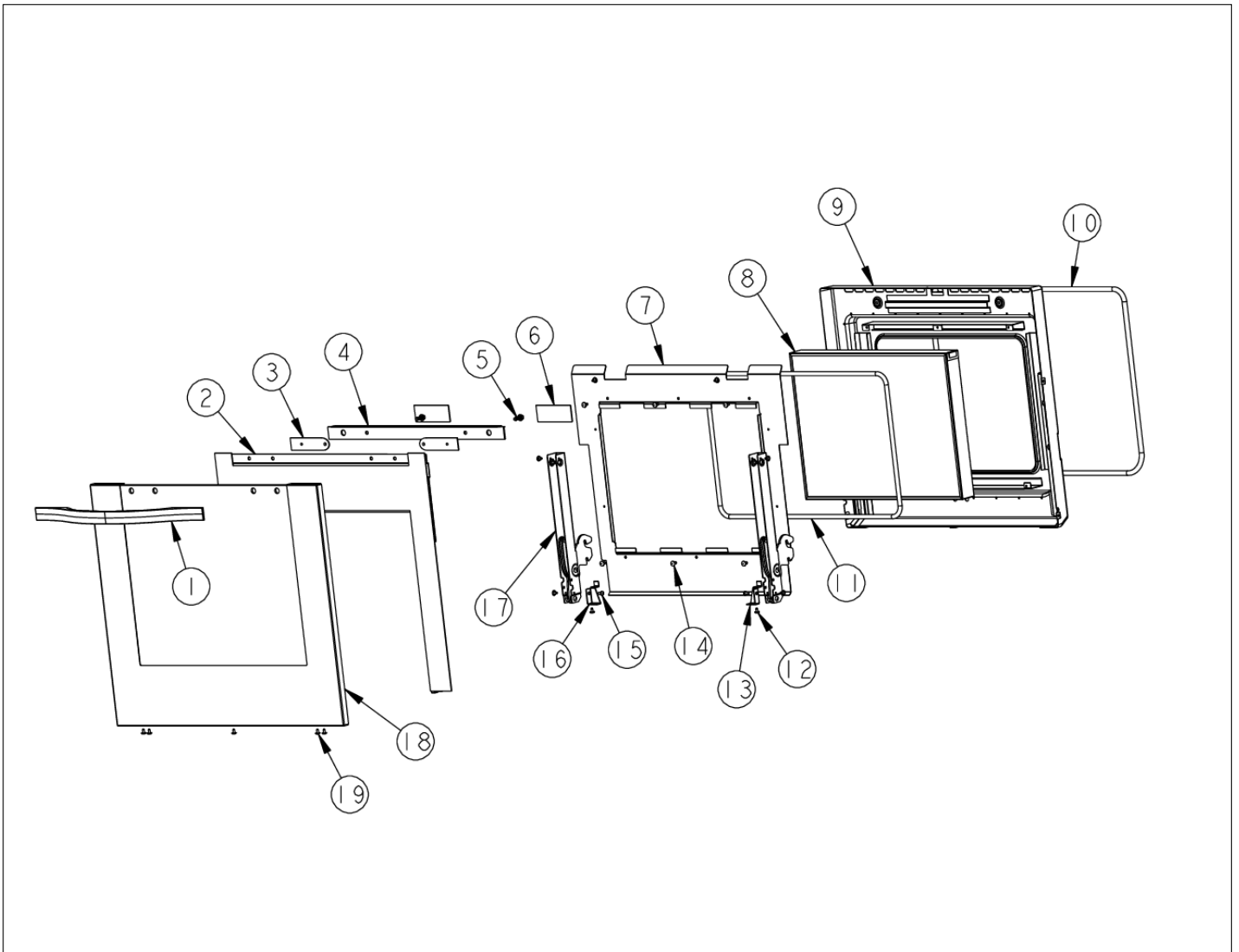
Item	Part No.	Name	Qty	Uom	NOTES
1	PD020061	' #8 X 3/4 FLAT HD TEK. *SS*	1	EA	
2	PD020060	10 X 1/2" (5/16)HEX WSHER HD.(T)A	1	EA	
3	A2009622	BRKT, TOP WRAPPER, RIGHT	1	EA	Not available online / Call for pricing and availability
4	PD020002	10 X 1/2 PH.TR.HD.SMS.	1	EA	
5	PD020014	10X3/4 PH TR HD SMS	1	EA	
6	B21010915	HINGE CLIP - RH	1	EA	
7	PE040283	DES. DOUBLE SIDE TRIM RH	1	EA	Not available online / Call for pricing and availability
8	PB070302	SIDE INSULATION	1	EA	
9	B21010916	HINGE CLIP - LH	1	EA	
10	A20012650	BRKT, TOP WRAPPER LEFT	1	EA	Not available online / Call for pricing and availability
11	PE040284	DES. DOUBLE SIDE TRIM LH	1	EA	NO LONGER AVAILABLE

LOWER DOOR ASSEMBLY

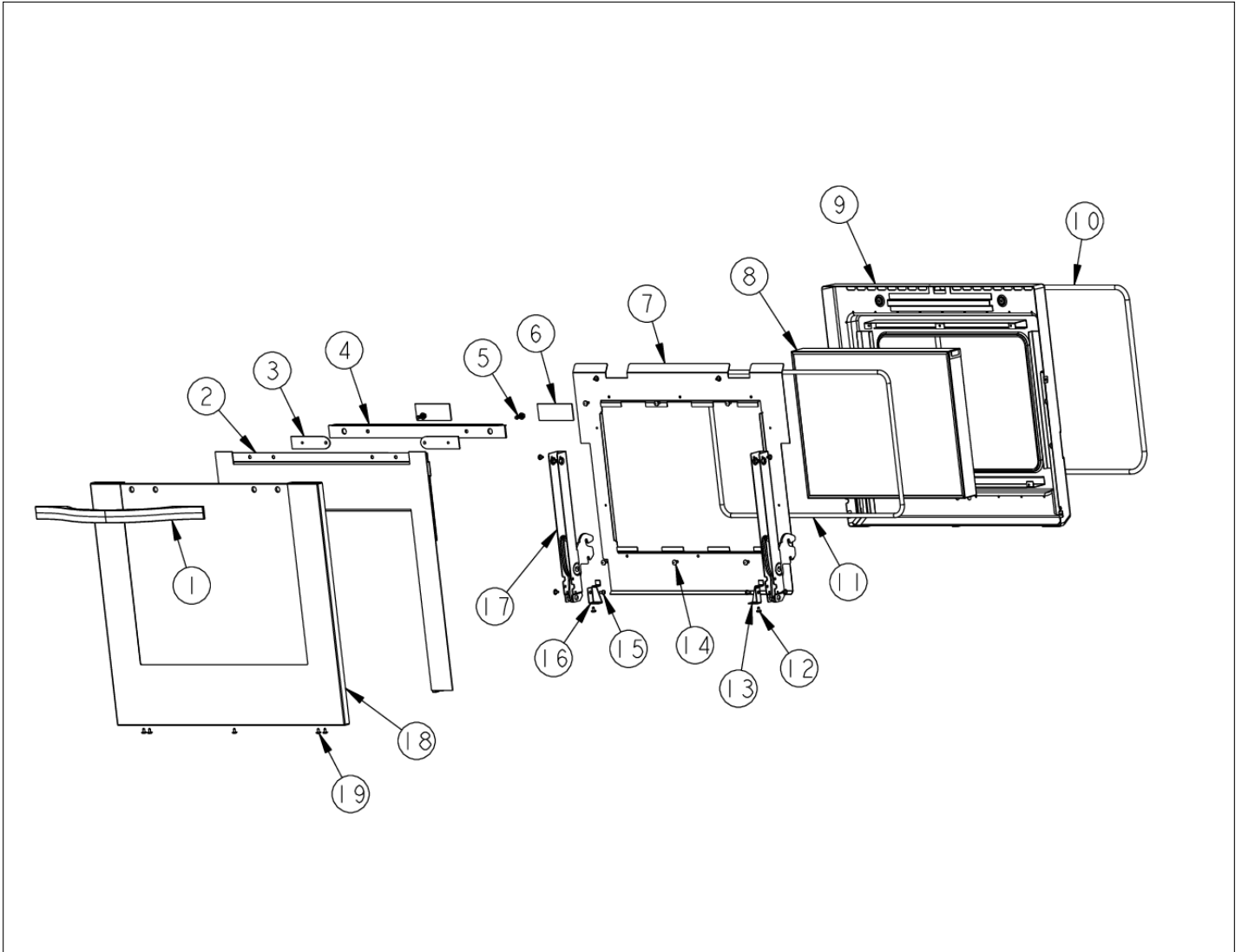




Item	Part No.	Name	Qty	Uom	NOTES
1	PE030167	30" DOOR HANDLE	1	EA	
1	PE030167PVD	30" DOOR HANDLE PVD	1	EA	NO LONGER AVAILABLE
2	001498-000	Designer 27" Insulation Retainer Kit	1	EA	
3	PC050002	DESIGNER DOOR HANDLE SPACER	1	EA	
4	PE040285	DESIGNER DOOR TRIM	1	EA	Not available online / Call for pricing and availability
5	PD020186	1/4"-20 X 3/4" HEX WASHER HEAD MS	1	EA	Not available online / Call for pricing and availability
6	PB070336	Door Bracket Insulation	1	EA	
7	A20010949	PANEL, INSULATION, INNNER DOOR	1	EA	
8	PE060093	27" WINDOW PACK	1	EA	
9	G91010942	DOOR LINER PORC.	1	EA	
<p>Comments for Part Num. G91010942</p> <p>gboltz@VikingRange.com on Jun 7, 2016</p> <p>Correct part number is G91019042BK</p>					
10	PB070245	27" DOOR GASKET	1	EA	
11	000594-000	BLACK FIBERGLASS ROPE 3/8	1	EA	
12	PD020063	SCREW-#8(A) X 3/8"PH WFR HD/BK OXID	1	EA	
13	A20012640	HINGE SUPPORT RH	1	EA	
14	PD020002	10 X 1/2 PH.TR.HD.SMS.	1	EA	
15	PD020004	10X3/8PH.HD.TYPE 25 REPL PD040125	1	EA	
16	A20012641	HINGE SUPPORT LH	1	EA	
17	006071-000	DOOR HINGE	1	EA	
18	001454-002	27 in Des Door Skin Kit w/o Logo - BK	1	EA	Not available online / Call for pricing and availability



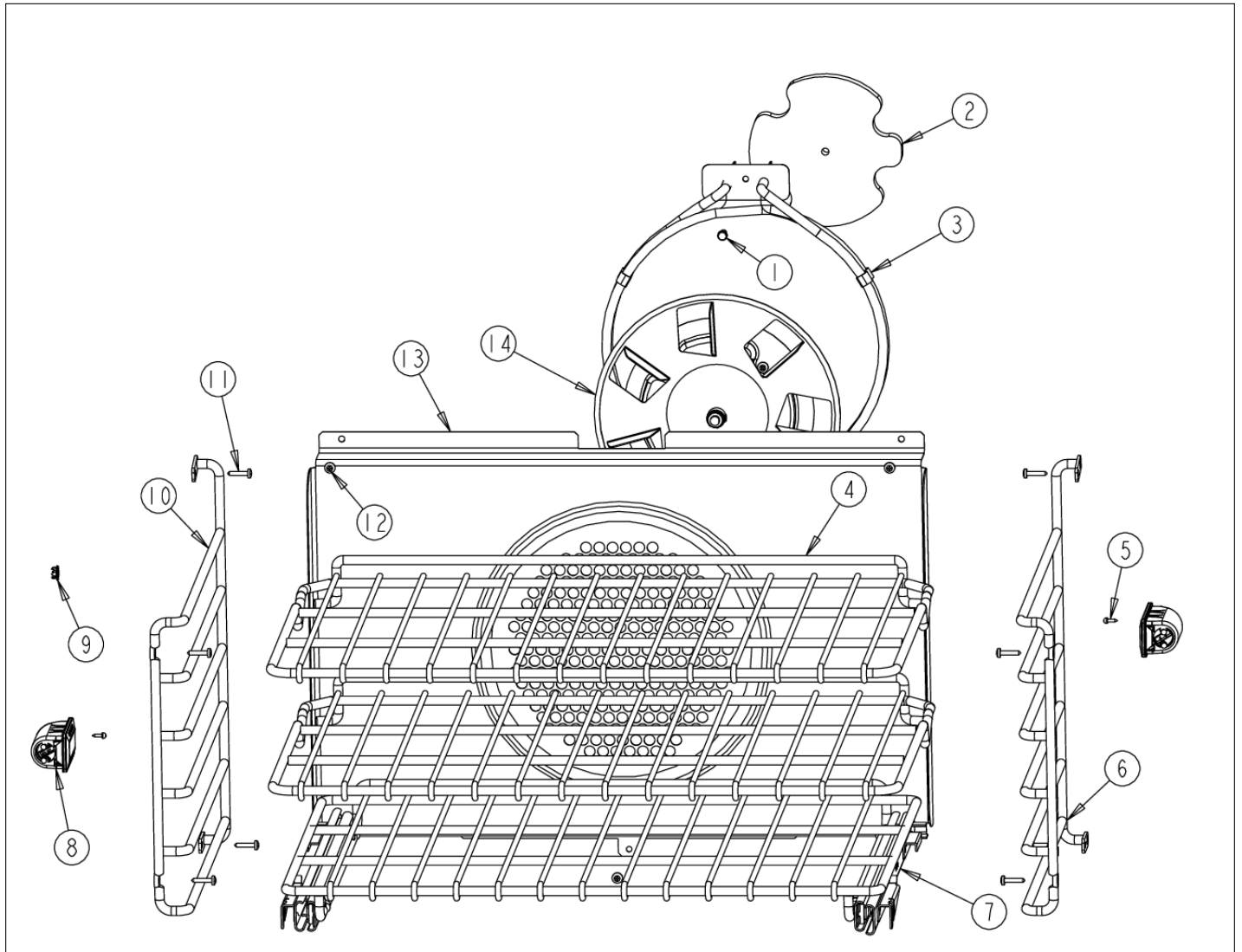
Item	Part No.	Name	Qty	Uom	NOTES
18	001454-003	27 in Des. Door Skin Kit w/o Logo - BT	1	EA	NO LONGER AVAILABLE, Not available online / Call for pricing and availability
18	001454-005	27 in Des. Door Skin Kit w/o Logo - GG	1	EA	NO LONGER AVAILABLE, Not available online / Call for pricing and availability
18	001454-004	27 in Des Door Skin Kit w/o Logo - SG	1	EA	NO LONGER AVAILABLE, Not available online / Call for pricing and availability
18	001454-000	27 in Des. Door Skin Kit w/o Logo - SS	1	EA	
18	001454-006	27 in Des. Door Skin Kit w/o Logo - WH	1	EA	
19	PD020032	SRW-8(A)X3/8"PH.WFR HD 7/16DIA*NICL	1	EA	
NI	G32014007BK	27" DOOR ASSY W/O LOGO *BK*	1	EA	NO LONGER AVAILABLE
NI	G32014007BKBR	27" DOOR ASSY W/O LOGO *BKBR*	1	EA	NO LONGER AVAILABLE, Not available online / Call for pricing and availability
NI	G32014007BT	27" DOOR ASSY W/O LOGO *BT*	1	EA	NO LONGER AVAILABLE, Not available online / Call for pricing and availability
NI	G32014007BTBR	27" DOOR ASSY W/O LOGO *BTBR*	1	EA	NO LONGER AVAILABLE, Not available online / Call for pricing and availability
NI	G32014007GG	27" DOOR ASSY W/O LOGO *GG*	1	EA	NO LONGER AVAILABLE, Not available online / Call for pricing and availability
NI	G32014007GGBR	27" DOOR ASSY W/O LOGO *GGBR*	1	EA	NO LONGER AVAILABLE, Not available online / Call for pricing and availability
NI	G32014007SG	27" DOOR ASSY W/O LOGO *SG*	1	EA	NO LONGER AVAILABLE, Not available online / Call for pricing and availability





Item	Part No.	Name	Qty	Uom	NOTES
NI	G32014007SGBR	27" DOOR ASSY W/O LOGO *SGBR*	1	EA	NO LONGER AVAILABLE, Not available online / Call for pricing and availability
NI	G32014007SS	27" DOOR ASSY W/O LOGO	1	EA	
NI	G32014007SSBR	27" DOOR ASSY W/O LOGO *SSBR*	1	EA	NO LONGER AVAILABLE, Not available online / Call for pricing and availability
NI	G32014007WH	27" DOOR ASSY W/O LOGO *WH*	1	EA	NO LONGER AVAILABLE, Not available online / Call for pricing and availability
NI	G32014007WHBR	27" DOOR ASSY W/O LOGO *WHBR*	1	EA	NO LONGER AVAILABLE, Not available online / Call for pricing and availability
NI	017736-000	WINDOW PACK INSULATION KIT	1	EA	

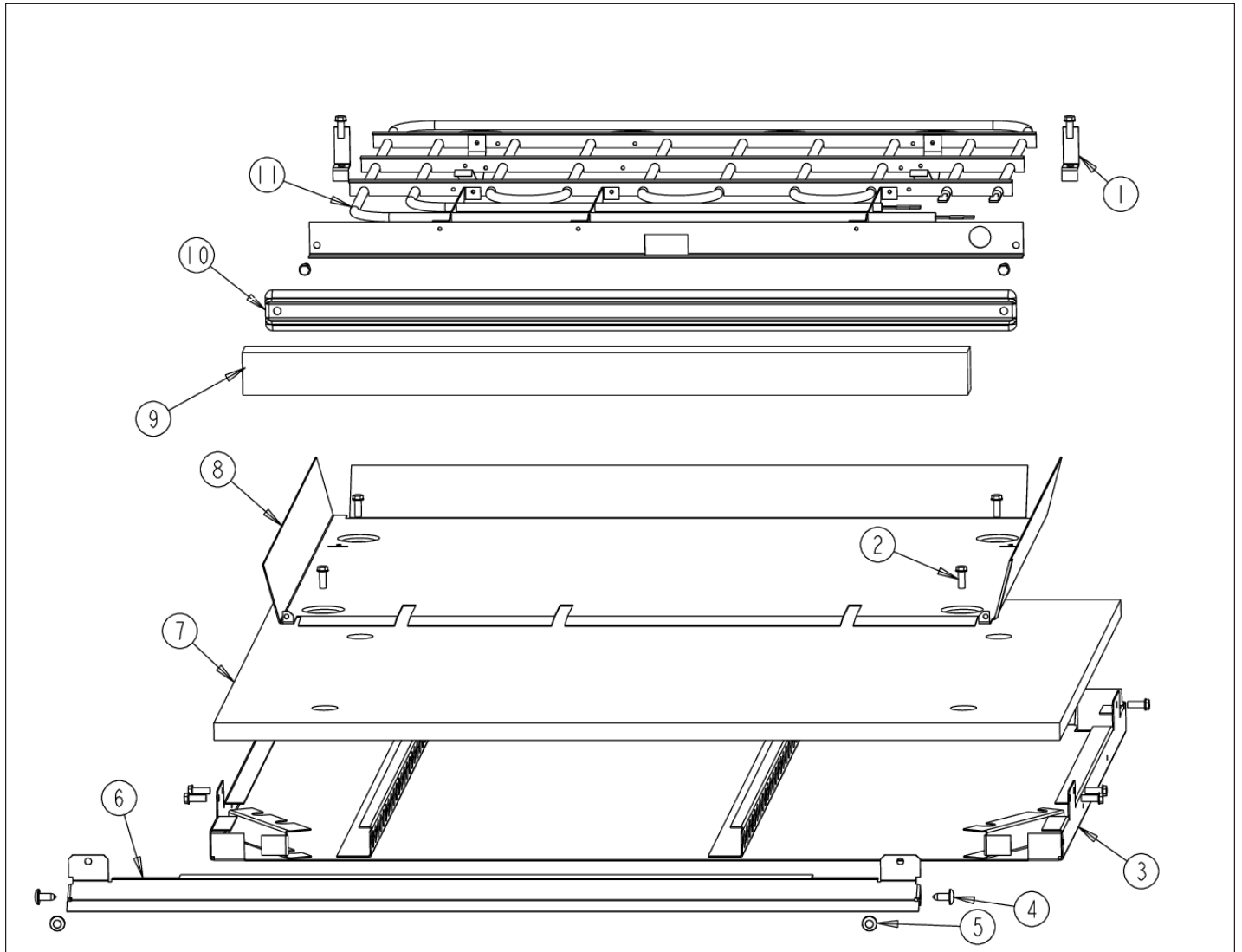
LOWER OVEN CAVITY INTERIOR





Item	Part No.	Name	Qty	Uom	NOTES
1	PD020060	10 X 1/2" (5/16)HEX WSHER HD.(T)A	1	EA	
2	PB070312	CONVECTION MOTOR MTG. PLATE INSULATION	1	EA	
3	PJ010047	CONVECTION ELEMENT	1	EA	
4	041045-000	RACK, DF, PRO, 27"	1	EA	
5	PD020013	TYPE "AB" #6 X 3/8 PH PAN HD. SMS	1	EA	
6	PB060103	RACK SUPPORT RH	1	EA	
7	024737-000	27" SLIDING OVEN RACK	1	EA	
8	005311-000	LAMP, OVEN, 120V/25W	1	EA	
9	E91014053	PORCELAIN 25/64" HOLE PLUG	1	EA	Not available online / Call for pricing and availability
10	PB060104	RACK SUPPORT LH	1	EA	
11	PD020232	#8 X 3/4" PH PAN HEAD TEK SCREW (BLACK OXIDE)	1	EA	
12	PD020055	' #10 X 1/2" PAN PHIL. TEK.*SS*	1	EA	
13	G91013597	27" BAFFLE ASSEMBLY	1	EA	
14	G32014020	CONVECTION FAN ASSY	1	EA	

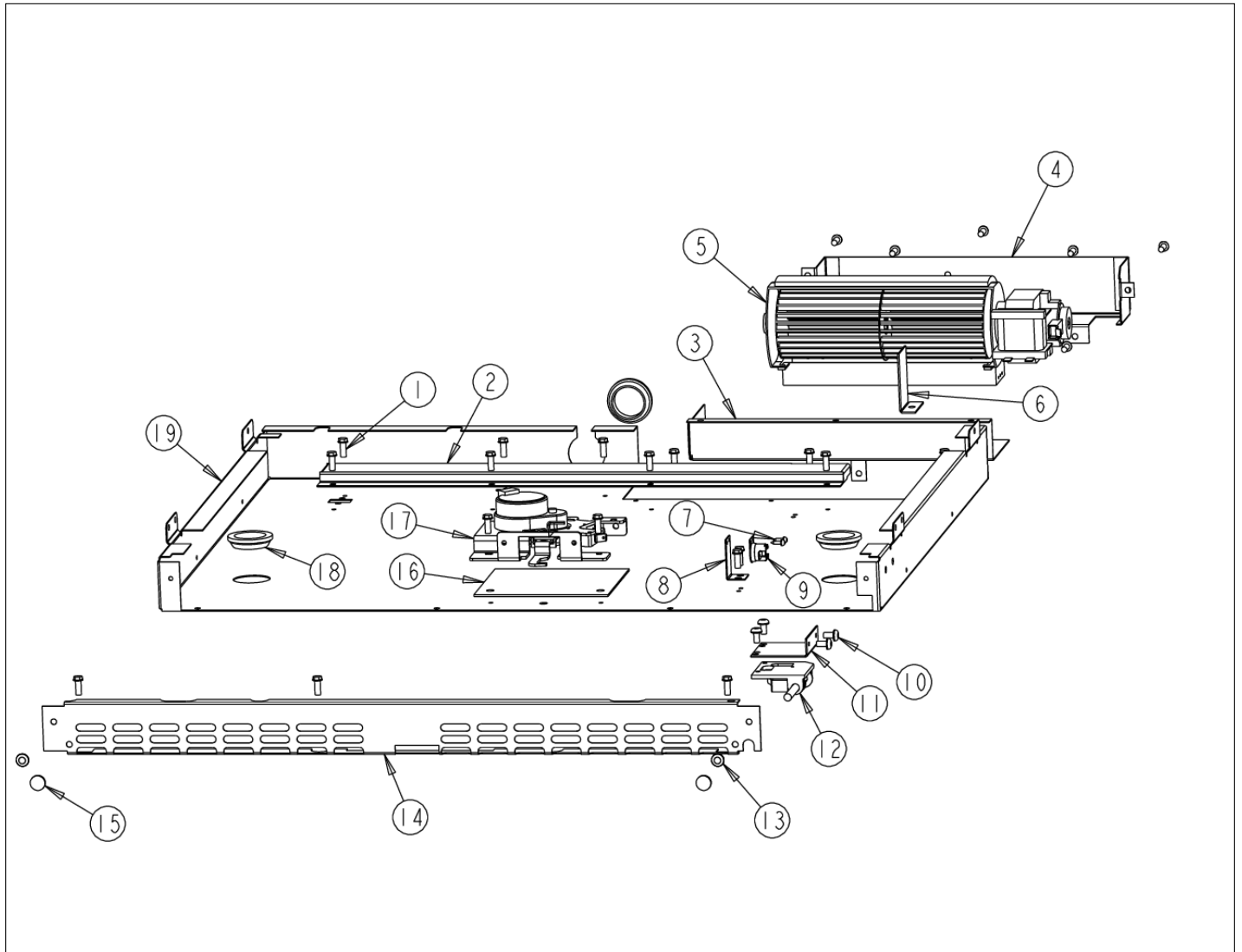
LOWER OVEN LOWER CAVITY





Item	Part No.	Name	Qty	Uom	NOTES
1	A2009696	HOLDER, BAKE ELEMENT	1	EA	
2	PD020060	10 X 1/2" (5/16)HEX WSHR HD.(T)A	1	EA	
3	G30010922	BASE MODULE ASSY 27"	1	EA	
4	PD020002	10 X 1/2 PH.TR.HD.SMS.	1	EA	
5	PD020063	SCREW-#8(A) X 3/8"PH WFR HD/BK OXID	1	EA	
6	C90012822BK	BOTTOM AIR DEFLECTOR 27"	1	EA	
7	PB070300	27" BOTTOM INSULATION	1	EA	NO LONGER AVAILABLE, Not available online / Call for pricing and availability
8	A20010932	ELEMENT, MTG TRAY	1	EA	NO LONGER AVAILABLE
9	PB070309	BAKE ELEMENT INSULATION	1	EA	
10	E9109655	COVER, BAKE TRAY	1	EA	
11	PJ010048	BAKE ELEMENT	1	EA	

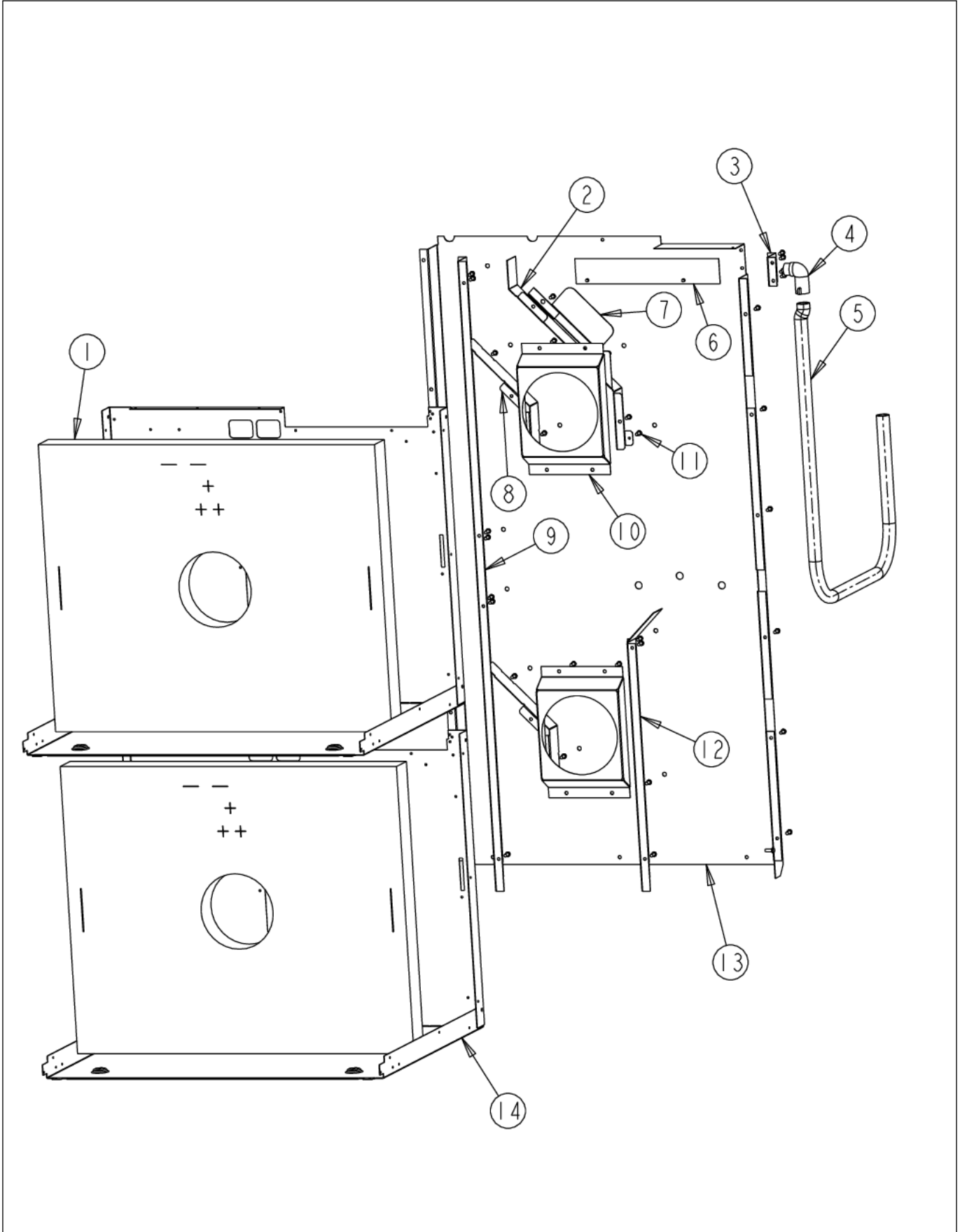
MIDDLE UNIT AREA





Item	Part No.	Name	Qty	Uom	NOTES
1	PD020060	10 X 1/2" (5/16)HEX WSHER HD.(T)A	1	EA	
2	A20012808	CATALYST EXHAUST, MIDDLE MODULE	1	EA	NO LONGER AVAILABLE, Not available online / Call for pricing and availability
3	A2009659	Blower Bracket	1	EA	
4	A3009660	BRACKET, BLOWER, DBL LOWER OVEN	1	EA	
5	PE050250	Blower	1	EA	
<p>Comments for Part Num. PE050250</p> <p>highendappsvc@gmail.com on Jan 28, 2019</p> <p>If you need to replace cooling fan for the model vgsc5486gss serial date code 031412, do not order this fan, this fan is larger and configured wrong. The correct fan is 007794-000. it is smaller.</p>					
6	A20014036	BOTTOM BLOWER DIVIDER	1	EA	
7	PD020013	TYPE "AB" #6 X 3/8 PH PAN HD. SMS	1	EA	
8	A20014089	DISC BRACKET	1	EA	
9	PJ030039	BI-METAL THERMOSTAT 275 DEGREES	1	EA	
10	PD020004	10X3/8PH.HD.TYPE 25 REPL PD040125	1	EA	
11	A20012649	DOOR SWITCH BRACKET	1	EA	
12	PE050208	DOOR SWITCH	1	EA	
13	PD020063	SCREW-#8(A) X 3/8"PH WFR HD/BK OXID	1	EA	
14	C90012803BK	INLET GRILL DBL LOWER OVEN 27"	1	EA	
15	PD040004	GROMMET BUMPER	1	EA	
16	PB070321	Lower Latch Insulation	1	EA	
17	013250-000	LATCH,DOOR,ASM,240V,GRID DLE LOCKOUT	1	EA	
18	PB070079	SILICONE EXTRUSION (DGSU)	1	EA	
19	A20012802	MODULE PAN 27"	1	EA	NO LONGER AVAILABLE, Not available online / Call for pricing and availability

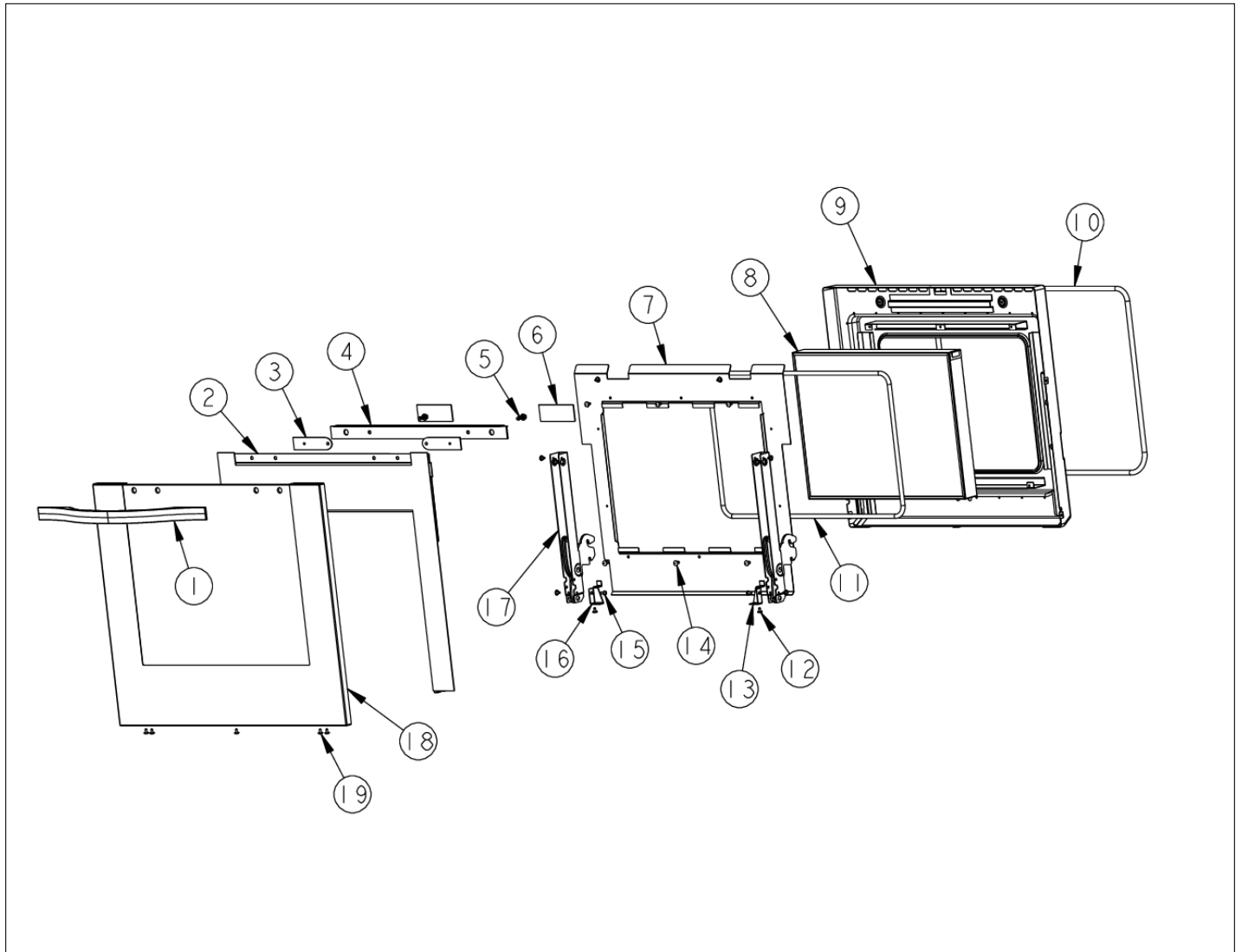
REAR UNIT AREA



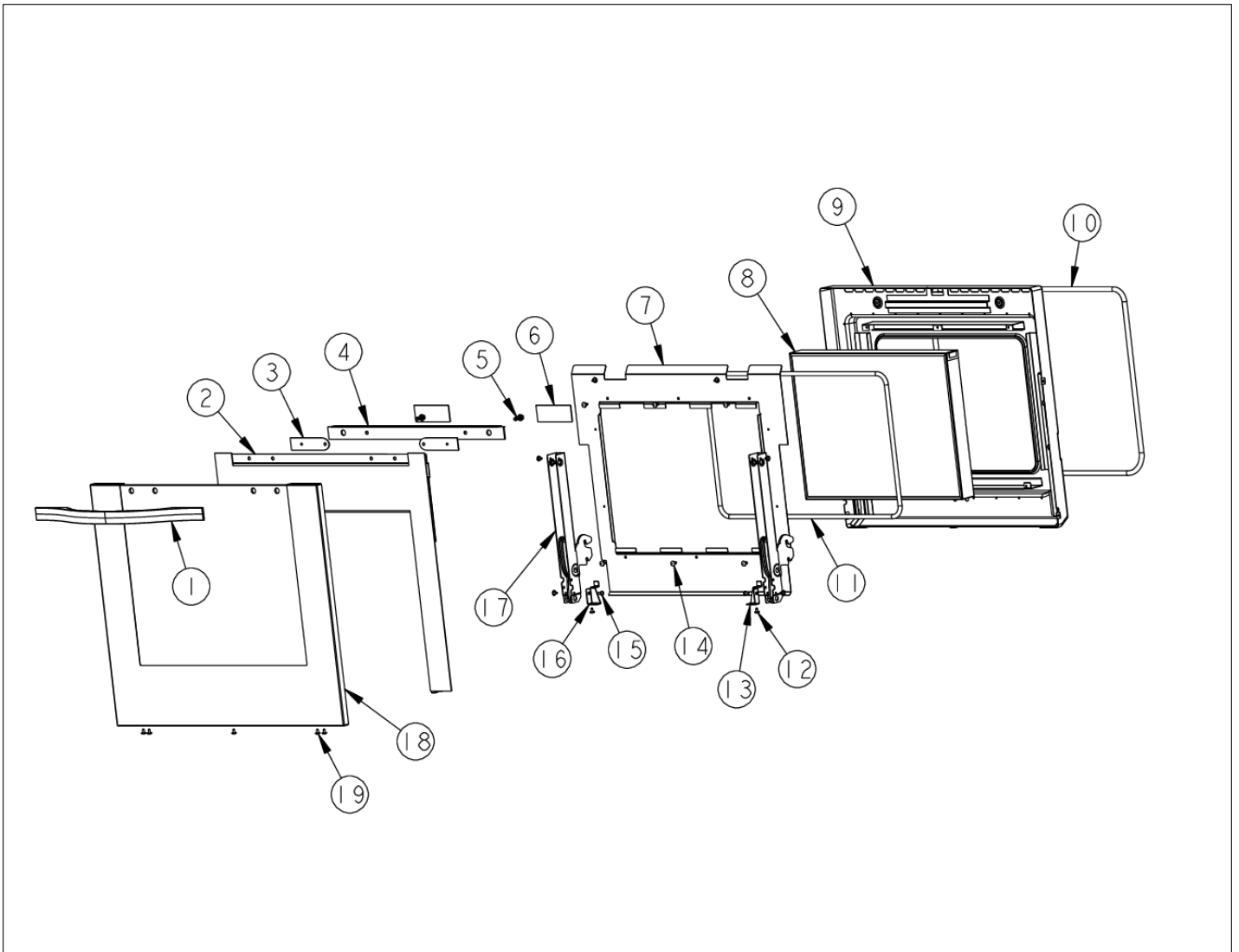


Item	Part No.	Name	Qty	Uom	NOTES
1	PB070301	27" BACK INSULATION	1	EA	NO LONGER AVAILABLE, Not available online / Call for pricing and availability
2	A21010918	BRACKET, AIR, CONVECTION MOTOR	1	EA	NO LONGER AVAILABLE, Not available online / Call for pricing and availability
3	A2009671	BRACKET, POWER CABLE	1	EA	
4	PB040070	CONDUIT FITTING (90 DEG)	1	EA	
5	PB020071	CONDUIT - FLEXIBLE (48")	1	EA	
6	A10010907	COVER, BLOWER	1	EA	
7	A20014052	WIRE SHIELD	1	EA	
8	A21010919	BRACKET, AIR, CONVECTION MOTOR	1	EA	NO LONGER AVAILABLE, Not available online / Call for pricing and availability
9	A2009684	REAR AIR DIVIDER, DOUBLE OVEN	1	EA	
10	A2009697	BRACKET, CONVECTION INSULATION	1	EA	
11	PD020060	10 X 1/2" (5/16)HEX WSHER HD.(T)A	1	EA	
12	A20012809	REAR AIR DIVIDER, DBL, LOWER OVEN	1	EA	NO LONGER AVAILABLE, Not available online / Call for pricing and availability
13	A20012807	PANEL, REAR	1	EA	NO LONGER AVAILABLE, Not available online / Call for pricing and availability
14	A20010931	BASE, BACK WRAPPER, 27"	1	EA	NO LONGER AVAILABLE, Not available online / Call for pricing and availability

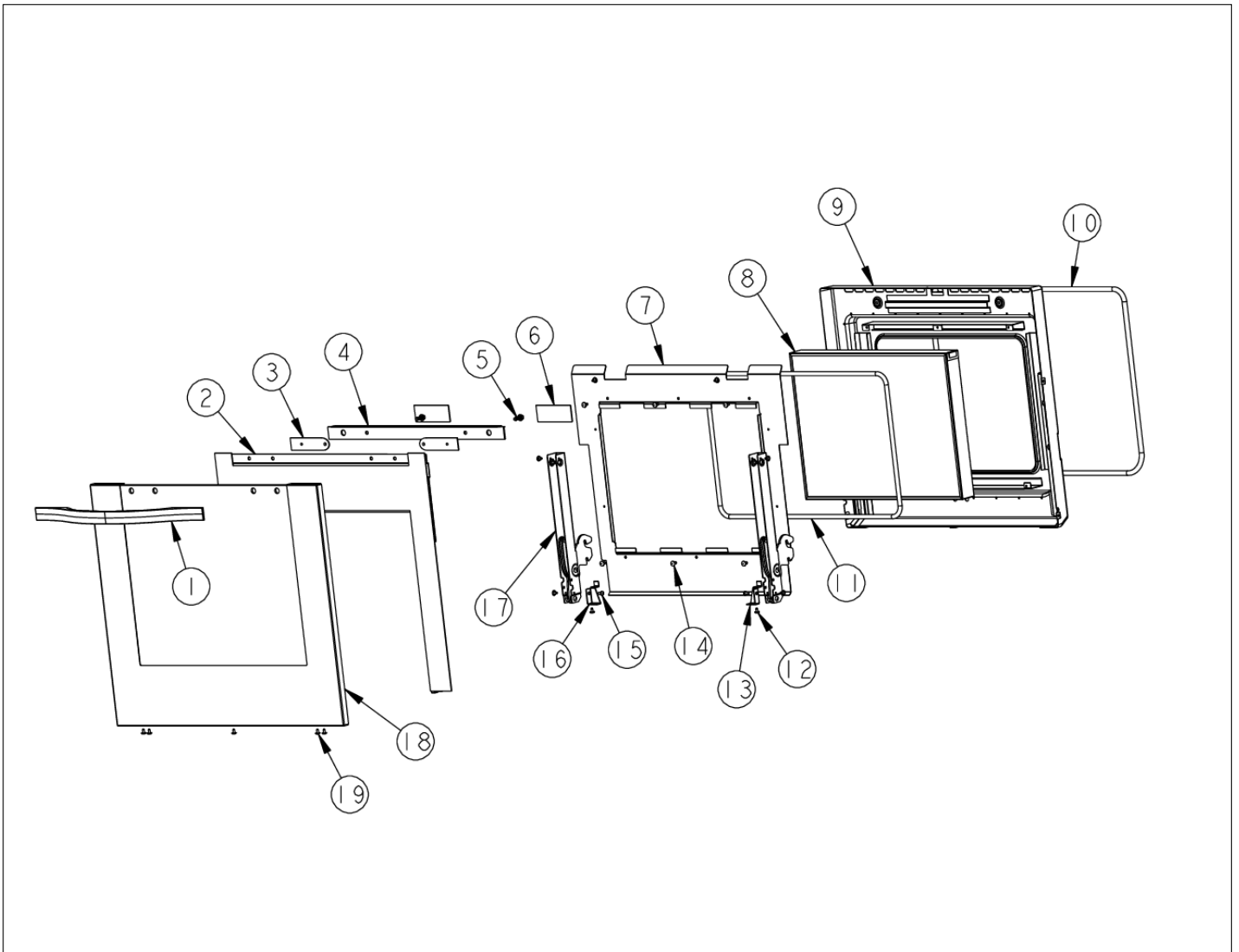
UPPER DOOR ASSEMBLY



Item	Part No.	Name	Qty	Uom	NOTES
1	PE030167	30" DOOR HANDLE	1	EA	
1	PE030167PVD	30" DOOR HANDLE PVD	1	EA	NO LONGER AVAILABLE
2	001498-000	Designer 27" Insulation Retainer Kit	1	EA	
3	PC050002	DESIGNER DOOR HANDLE SPACER	1	EA	
4	PE040285	DESIGNER DOOR TRIM	1	EA	Not available online / Call for pricing and availability
5	PD020186	1/4"-20 X 3/4" HEX WASHER HEAD MS	1	EA	Not available online / Call for pricing and availability
6	PB070336	Door Bracket Insulation	1	EA	
7	A20010949	PANEL, INSULATION, INNNER DOOR	1	EA	
8	PE060093	27" WINDOW PACK	1	EA	
9	G91010942	DOOR LINER PORC.	1	EA	
Comments for Part Num. G91010942 gboltz@VikingRange.com on Jun 7, 2016 Correct part number is G91019042BK					
10	PB070245	27" DOOR GASKET	1	EA	
11	000594-000	BLACK FIBERGLASS ROPE 3/8	1	EA	
12	PD020063	SCREW-#8(A) X 3/8"PH WFR HD/BK OXID	1	EA	
13	A20012640	HINGE SUPPORT RH	1	EA	
14	PD020002	10 X 1/2 PH.TR.HD.SMS.	1	EA	
15	PD020004	10X3/8PH.HD.TYPE 25 REPL PD040125	1	EA	
16	A20012641	HINGE SUPPORT LH	1	EA	
17	006071-000	DOOR HINGE	1	EA	
18	001453-002	27 in Des. Door Skin Kit w/Logo - BK - NLA	1	EA	NO LONGER AVAILABLE
18	001453-003	27 in Des. Door Skin Kit w/Logo - BT - NLA	1	EA	NO LONGER AVAILABLE



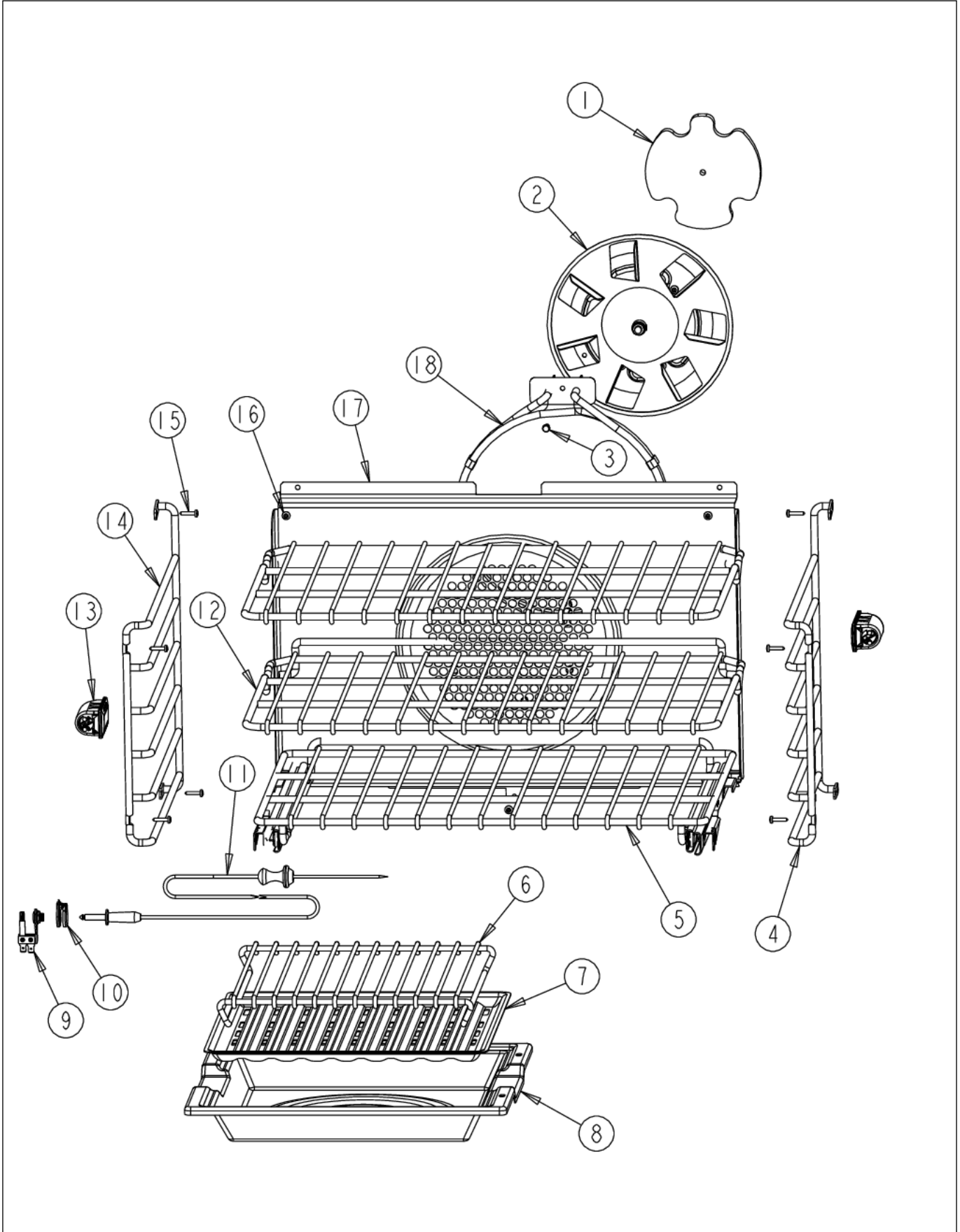
Item	Part No.	Name	Qty	Uom	NOTES
18	001453-005	27 in Des. Door Skin Kit w/Logo - GG	1	EA	NO LONGER AVAILABLE, Not available online / Call for pricing and availability
18	001453-004	27 in Des. Door Skin Kit w/Logo - SG - NLA	1	EA	NO LONGER AVAILABLE
18	001453-000	27 in Des. Door Skin Kit w/Logo - SS - NLA	1	EA	
18	001453-006	27 in Des. Door Skin Kit w/Logo - WH	1	EA	NO LONGER AVAILABLE
19	PD020032	SRW-8(A)X3/8"PH.WFR HD 7/16DIA*NICL	1	EA	
NI	G32012811BK	27" DOOR ASSY W/LOGO *BK*	1	EA	NO LONGER AVAILABLE, Not available online / Call for pricing and availability
NI	G32012811BKBR	27" DOOR ASSY W/LOGO *BKBR*	1	EA	NO LONGER AVAILABLE, Not available online / Call for pricing and availability
NI	G32012811BT	27" DOOR ASSY W/LOGO *BT*	1	EA	NO LONGER AVAILABLE, Not available online / Call for pricing and availability
NI	G32012811BTBR	27" DOOR ASSY W/LOGO *BTBR*	1	EA	NO LONGER AVAILABLE, Not available online / Call for pricing and availability
NI	G32012811GG	27" DOOR ASSY W/LOGO *GG*	1	EA	NO LONGER AVAILABLE, Not available online / Call for pricing and availability
NI	G32012811GGBR	27" DOOR ASSY W/LOGO *GGBR*	1	EA	NO LONGER AVAILABLE, Not available online / Call for pricing and availability
NI	G32012811SG	27" DOOR ASSY W/LOGO *SG*	1	EA	NO LONGER AVAILABLE, Not available online / Call for pricing and availability
NI	G32012811SGBR	27" DOOR ASSY W/LOGO *SGBR*	1	EA	NO LONGER AVAILABLE, Not available online / Call for pricing and availability





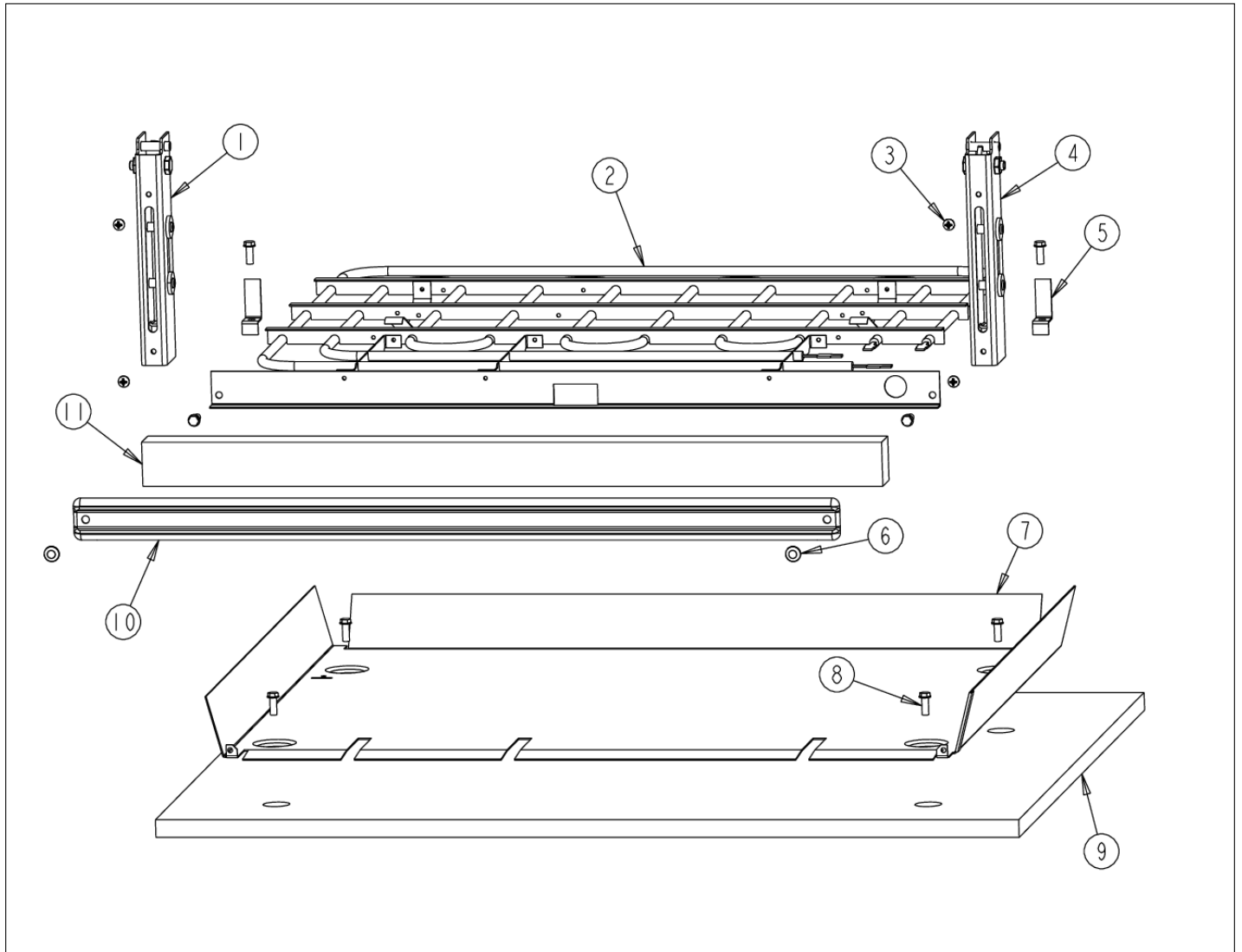
Item	Part No.	Name	Qty	Uom	NOTES
NI	G32012811SS	27" DOOR ASSY W/LOGO	1	EA	
NI	G32012811SSBR	COMPLETE DOOR ASSEMBLY - SSBR	1	EA	
NI	G32012811WH	27" DOOR ASSY W/LOGO *WH*	1	EA	NO LONGER AVAILABLE, Not available online / Call for pricing and availability
NI	G32012811WHBR	27" DOOR ASSY W/LOGO *WHBR*	1	EA	NO LONGER AVAILABLE, Not available online / Call for pricing and availability
NI	017736-000	WINDOW PACK INSULATION KIT	1	EA	

UPPER OVEN CAVITY INTERIOR



Item	Part No.	Name	Qty	Uom	NOTES
1	PB070312	CONVECTION MOTOR MTG. PLATE INSULATION	1	EA	
2	G32014020	CONVECTION FAN ASSY	1	EA	
3	PD020060	10 X 1/2" (5/16)HEX WSHER HD.(T)A	1	EA	
4	PB060103	RACK SUPPORT RH	1	EA	
5	024737-000	27" SLIDING OVEN RACK	1	EA	
6	PB080020	BROILER PAN RACK	1	EA	
7	E9107934	BROILER PAN INSERT - NLA	1	EA	
8	E9107933	BROILER PAN	1	EA	
9	PE050115	MEAT PROBE JACK (SWITCHCRAFT'S PART# 3J1505)	1	EA	
<p>Comments for Part Num. PE050115</p> <p>bradleysapplianceservice@shaw.ca on May 8, 2017 Meat probe is not illustrated on Parts Break Down. PE050114 MEAT PROBE</p>					
10	PM010160	MEAT PROBE JACK COVER (SWITCHCRAFT'S PART# 2C1098)	1	EA	
11	PE050114	MEAT PROBE (DESO/DEDO) (SWITCHCRAFT'S PART # 4C7919)	1	EA	
12	041045-000	RACK, DF, PRO, 27"	1	EA	
13	005311-000	LAMP, OVEN, 120V/25W	1	EA	
14	PB060104	RACK SUPPORT LH	1	EA	
15	PD020232	#8 X 3/4" PH PAN HEAD TEK SCREW (BLACK OXIDE)	1	EA	
16	PD020055	' #10 X 1/2" PAN PHIL. TEK.*SS*	1	EA	
17	G91013597	27" BAFFLE ASSEMBLY	1	EA	
18	PJ010047	CONVECTION ELEMENT	1	EA	

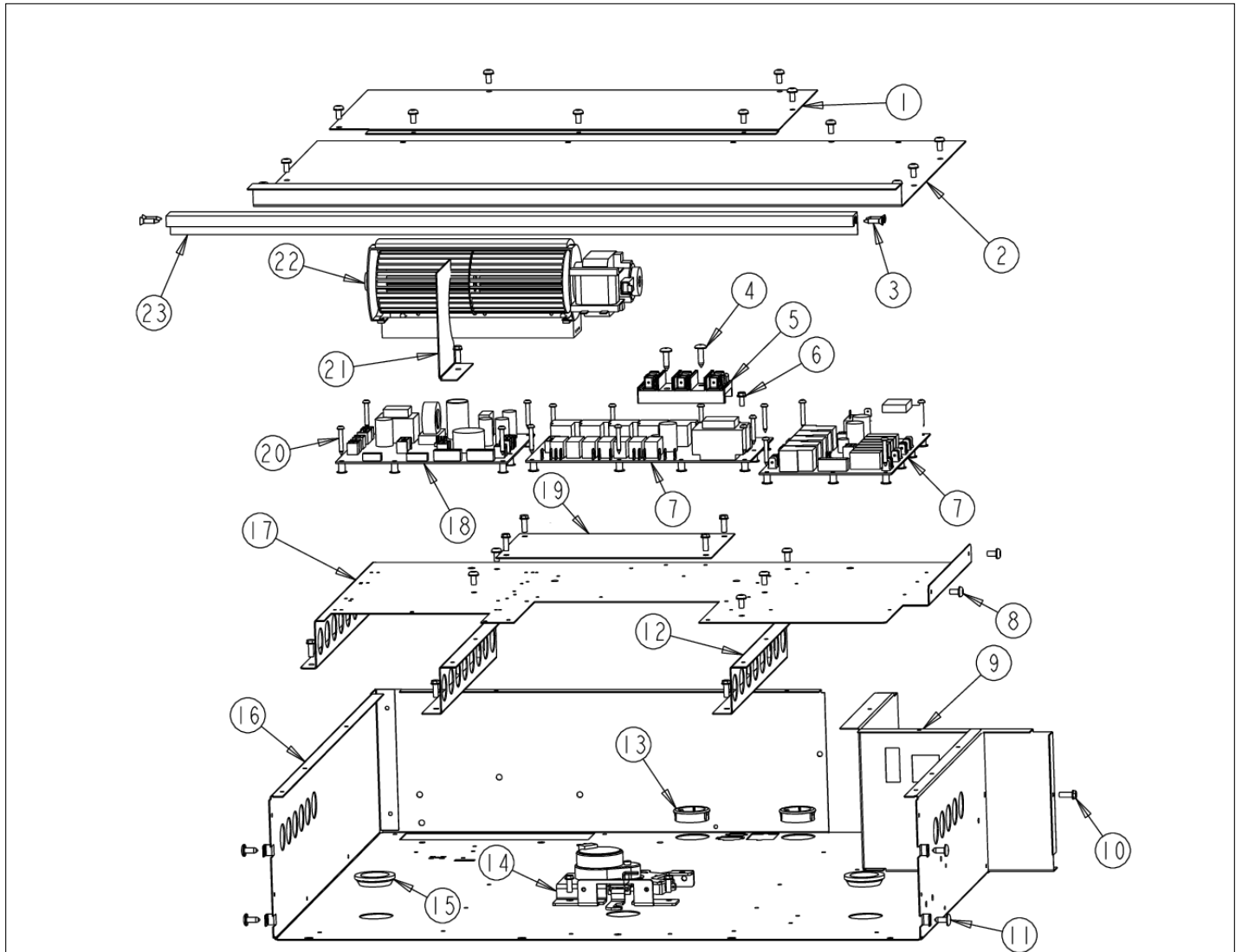
UPPER OVEN LOWER CAVITY



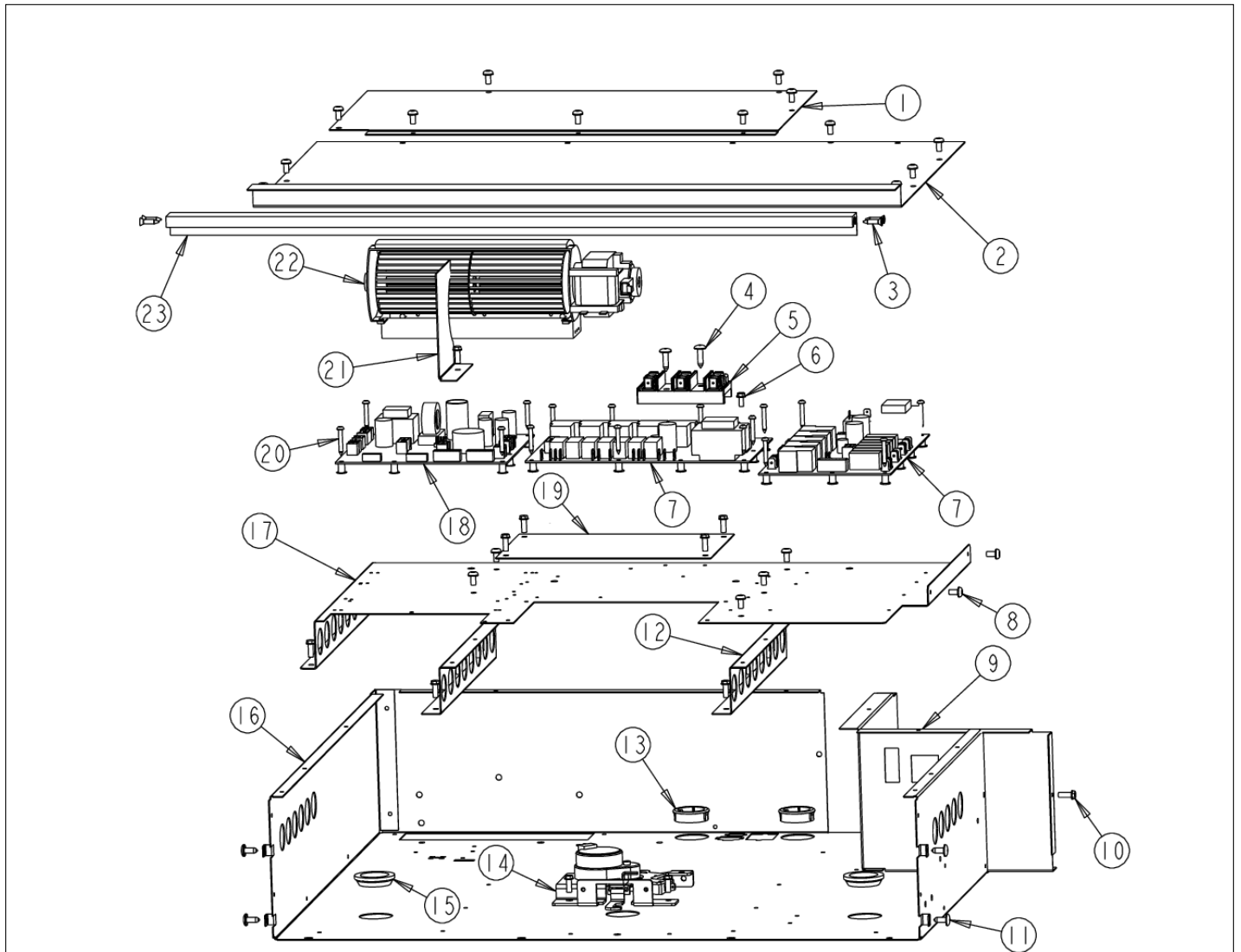


Item	Part No.	Name	Qty	Uom	NOTES
1	PC020247	HINGE POCKET RECEIVER MANSFIELD LH	1	EA	
2	PJ010048	BAKE ELEMENT	1	EA	
3	PD020062	#8-32 X 3/8 PHMS TYPE 1	1	EA	
4	PC020221	HINGE POCKET RECEIVER MANSFIELD RH	1	EA	
5	A2009696	HOLDER, BAKE ELEMENT	1	EA	
6	PD020063	SCREW-#8(A) X 3/8"PH WFR HD/BK OXID	1	EA	
7	A20010932	ELEMENT, MTG TRAY	1	EA	NO LONGER AVAILABLE
8	PD020060	10 X 1/2" (5/16)HEX WSHER HD.(T)A	1	EA	
9	PB070300	27" BOTTOM INSULATION	1	EA	NO LONGER AVAILABLE, Not available online / Call for pricing and availability
10	E9109655	COVER, BAKE TRAY	1	EA	
11	PB070309	BAKE ELEMENT INSULATION	1	EA	

UPPER UNIT AREA



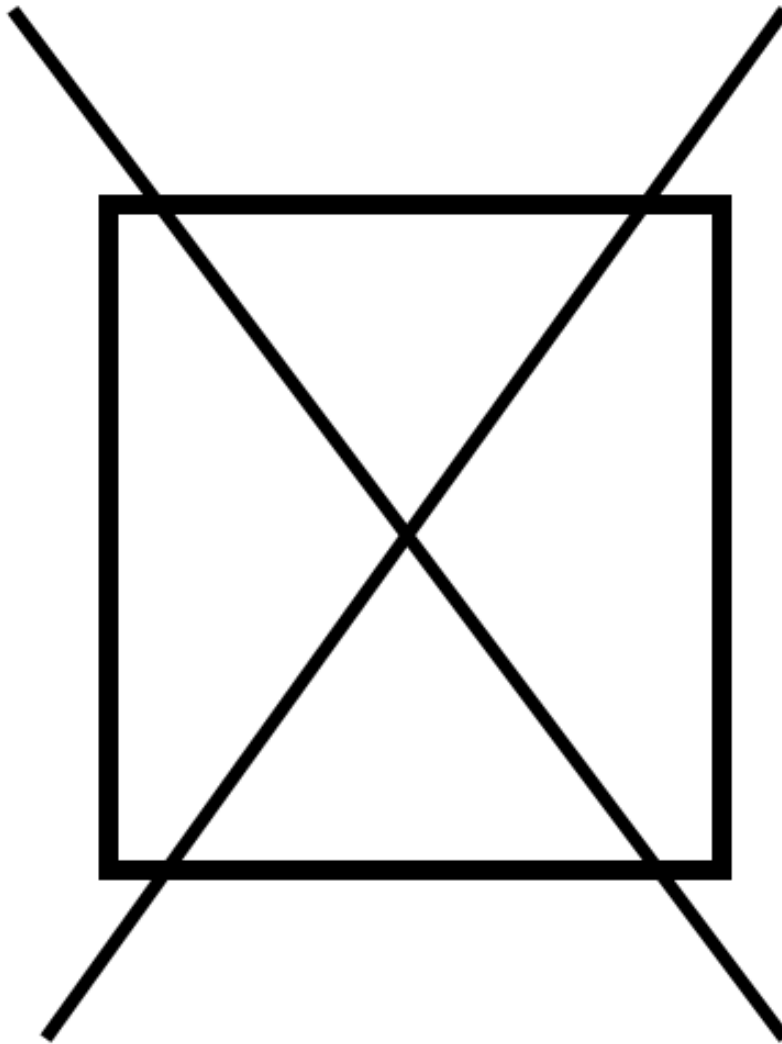
Item	Part No.	Name	Qty	Uom	NOTES
1	A20014047	Rear Cover	1	EA	Not available online / Call for pricing and availability
2	A20014046	Front Cover	1	EA	Not available online / Call for pricing and availability
3	PD020061	' #8 X 3/4 FLAT HD TEK. *SS*	1	EA	
4	PD020014	10X3/4 PH TR HD SMS	1	EA	
5	PE070147	TERMINAL BLOCK (VDSC)	1	EA	
6	PD020010	10 X 3/8 GREEN GROUNDING SCREW	1	EA	
7	PE050234	RELAY BOARD	1	EA	
8	PD020004	10X3/8PH.HD.TYPE 25 REPL PD040125	1	EA	
9	A20010934	BRACKET, MODULE PAN	1	EA	
10	PD020060	10 X 1/2" (5/16)HEX WSHER HD.(T)A	1	EA	
11	PD020002	10 X 1/2 PH.TR.HD.SMS.	1	EA	
12	A20010910	Support Bracket, Electronics Hat	1	EA	Not available online / Call for pricing and availability
13	PD040152	SNAP BUSHING	1	EA	
14	013250-000	LATCH,DOOR,ASM,240V,GRID DLE LOCKOUT	1	EA	
15	PB070079	SILICONE EXTRUSION (DGSU)	1	EA	
16	A20010933	MODULE PAN 27"	1	EA	NO LONGER AVAILABLE, Not available online / Call for pricing and availability
17	A20010935	Electronics Hat	1	EA	Not available online / Call for pricing and availability
18	PE050233	Control Board	1	EA	
19	A10010911	Latch Cover	1	EA	
20	PD020185	Screw, 6 X 1" Pan Head	1	EA	
21	A2009667	REAR AIR DIVIDER	1	EA	
22	PE050250	Blower	1	EA	





Item	Part No.	Name	Qty	Uom	NOTES
Comments for Part Num. PE050250					
highendappsvc@gmail.com on Jan 28, 2019					
If you need to replace cooling fan for the model vgsc5486gss serial date code 031412, do not order this fan, this fan is larger and configured wrong. The correct fan is 007794-000. it is smaller.					
23	PE040279	27" DES. TOP TRIM	1	EA	NO LONGER AVAILABLE, Not available online / Call for pricing and availability

NON
ILLUSTRATED PART





Item	Part No.	Name	Qty	Uom	NOTES
NI	PE070845	TOUCH CONTROL KEYBOARD HARNESS	1	EA	
NI	PE070846	TOUCH CONTROL DISPLAY HARNESS	1	EA	



Appendix A:Pages Index

BROIL ELEMENT AREA 1
CONTROL AREA 2
EXTERIOR OVEN CAVITY AREA 3
LOWER DOOR ASSEMBLY 4
LOWER OVEN CAVITY INTERIOR 5
LOWER OVEN LOWER CAVITY 6
MIDDLE UNIT AREA 7
REAR UNIT AREA 8
UPPER DOOR ASSEMBLY 9
UPPER OVEN CAVITY INTERIOR 10
UPPER OVEN LOWER CAVITY 11
UPPER UNIT AREA 12
WIRING 13



Appendix B:Parts Index

000594-000	4, 9	A20012649	2, 7
001453-000	9	A20012650	3
001453-002	9	A20012802	7
001453-003	9	A20012807	8
001453-004	9	A20012808	7
001453-005	9	A20012809	8
001453-006	9	A20014023	2
001454-000	4	A20014036	7
001454-002	4	A20014046	12
001454-003	4	A20014047	12
001454-004	4	A20014052	8
001454-005	4	A20014089	7
001454-006	4	A2009622	3
001498-000	4, 9	A2009641	1
005311-000	5, 10	A2009659	7
006071-000	4, 9	A2009667	12
013250-000	7, 12	A2009671	8
013621-000	1	A2009684	8
016021-000	1	A2009696	6, 11
017736-000	4, 9	A2009697	8
020403-000	1	A21010918	8
024040-000	1	A21010919	8
024221-000	1	A3009660	7
024234-000	1	B21010915	3
024737-000	5, 10	B21010916	3
036047-000	2	C90012803BK	7
041045-000	5, 10	C90012822BK	6
057872-000	1	C90014073BK	2
A10010907	8	E91014053	5
A10010911	12	E9107933	10
A10014027	2	E9107934	10
A20010910	12	E9109655	6, 11
A20010931	8	G30010922	6
A20010932	6, 11	G32012811BK	9
A20010933	12	G32012811BKBR	9
A20010934	12	G32012811BT	9
A20010935	12	G32012811BTBR	9
A20010949	4, 9	G32012811GG	9
A20012640	4, 9	G32012811GGBR	9
A20012641	4, 9	G32012811SG	9
		G32012811SGBR	9



G32012811SS	9	PD020004	2, 4, 7, 9, 12
G32012811SSBR	9	PD020010	12
G32012811WH	9	PD020013	2, 5, 7
G32012811WHBR	9	PD020014	3, 12
G32014007BK	4	PD020032	4, 9
G32014007BKBR	4	PD020055	1, 5, 10
G32014007BT	4	PD020060	1, 2, 3, 5, 6, 7, 8, 10, 11, 12
G32014007BTBR	4	PD020061	3, 12
G32014007GG	4	PD020062	11
G32014007GGBR	4	PD020063	4, 6, 7, 9, 11
G32014007SG	4	PD020185	12
G32014007SGBR	4	PD020186	4, 9
G32014007SS	4	PD020232	5, 10
G32014007SSBR	4	PD030172	2
G32014007WH	4	PD040004	2, 7
G32014007WHBR	4	PD040152	12
G32014020	5, 10	PD040164	2
G91010942	4, 9	PE030167	4, 9
G91013597	5, 10	PE030167PVD	4, 9
PB020071	8	PE040279	12
PB020275	1	PE040283	3
PB040070	8	PE040284	3
PB060103	5, 10	PE040285	4, 9
PB060104	5, 10	PE050114	10
PB070079	7, 12	PE050115	10
PB070245	4, 9	PE050206	1
PB070300	6, 11	PE050208	2, 7
PB070301	8	PE050233	12
PB070302	3	PE050234	12
PB070306	1	PE050250	7, 12
PB070307	1	PE060093	4, 9
PB070309	6, 11	PE070147	12
PB070312	5, 10	PE070845	13
PB070321	7	PE070846	13
PB070336	4, 9	PJ010047	5, 10
PB070337	1	PJ010048	6, 11
PB080020	10	PJ030039	7
PC020221	11	PJ030043	2
PC020247	11	PM010014	1
PC050002	4, 9	PM010160	10
PD020002	3, 4, 6, 9, 12	PS500025BK	2



PS500025BT	2
PS500025GG	2
PS500025SG	2
PS500025SS	2
PS500025WH	2