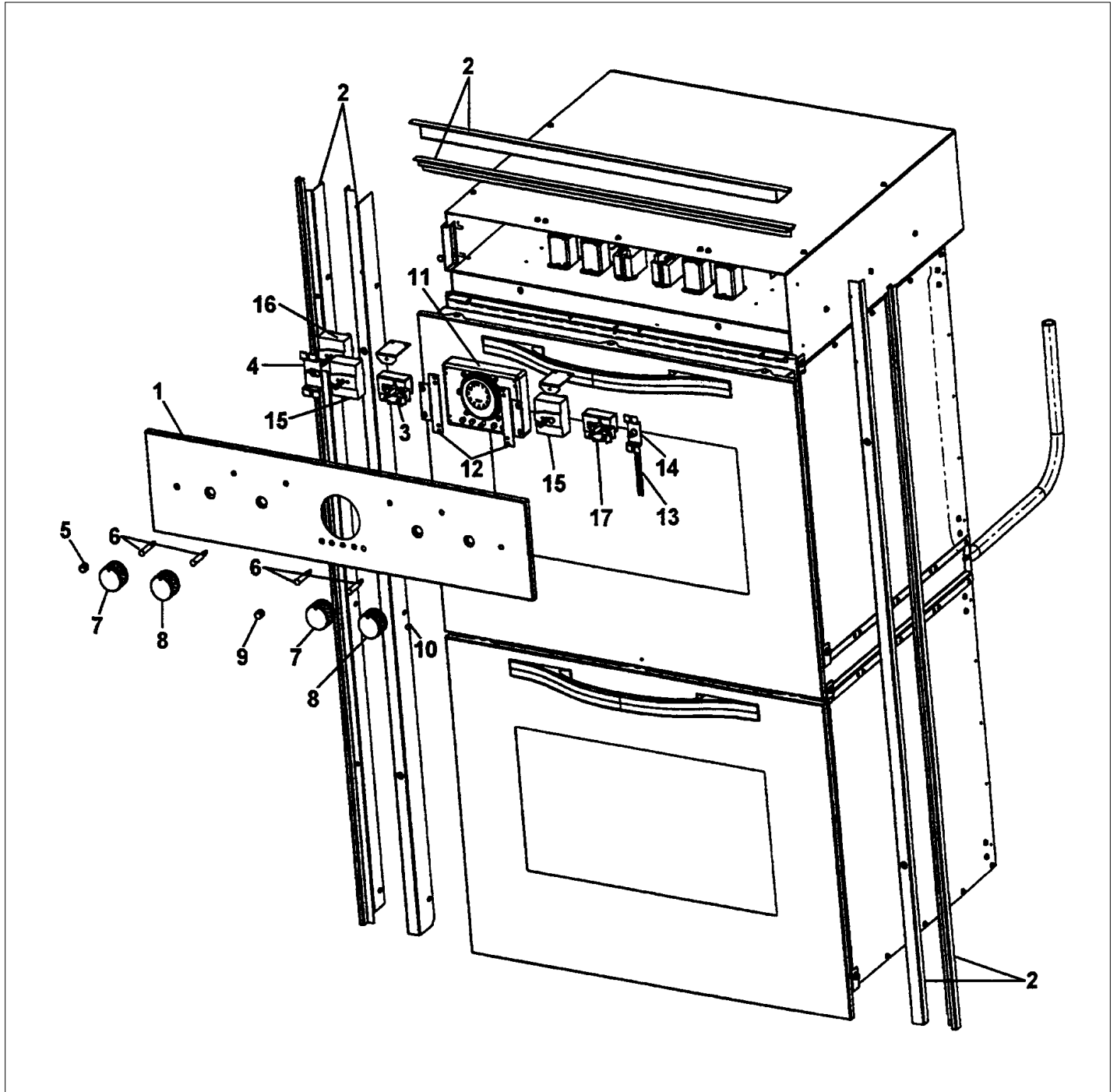


**DEDO275**

CONTROL ASSEMBLY .....	1
FLOW CHART NEW BOARD BAKE .....	2
FLOW CHART NEW BOARD DOOR LOCK .....	3
FLOW CHART SELF CLEAN .....	4
FUNCTIONAL PARTS .....	5
LOWER DOOR .....	6
LOWER OVEN .....	7
REAR PANEL .....	8
UPPER CABINET - AFTER 03-08-04 .....	9
UPPER CABINET - BEFORE 03-08-04 .....	10
UPPER DOOR .....	11
UPPER OVEN .....	12
Appendix A:Pages Index .....	A
Appendix B:Parts Index .....	B

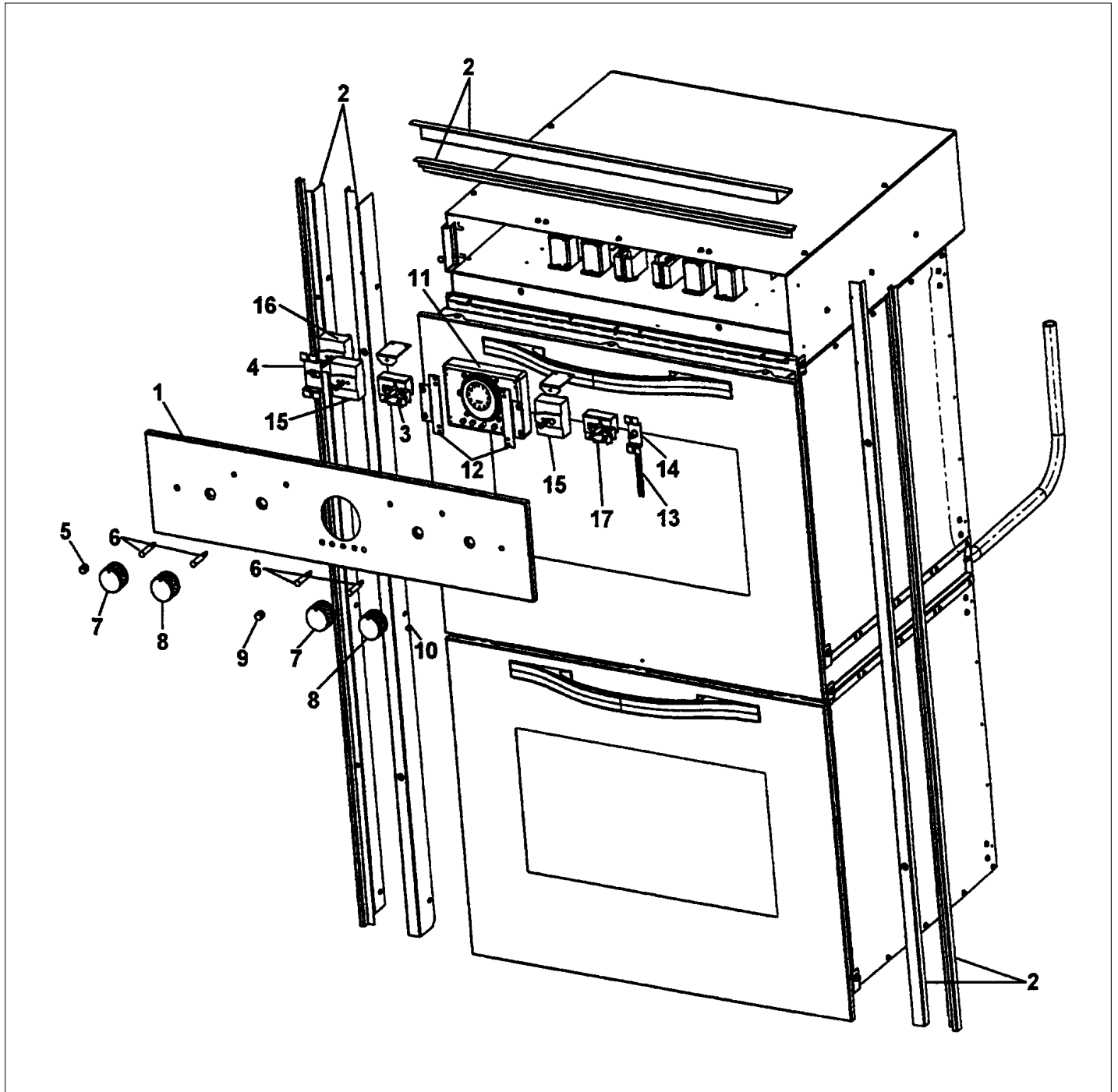


CONTROL ASSEMBLY



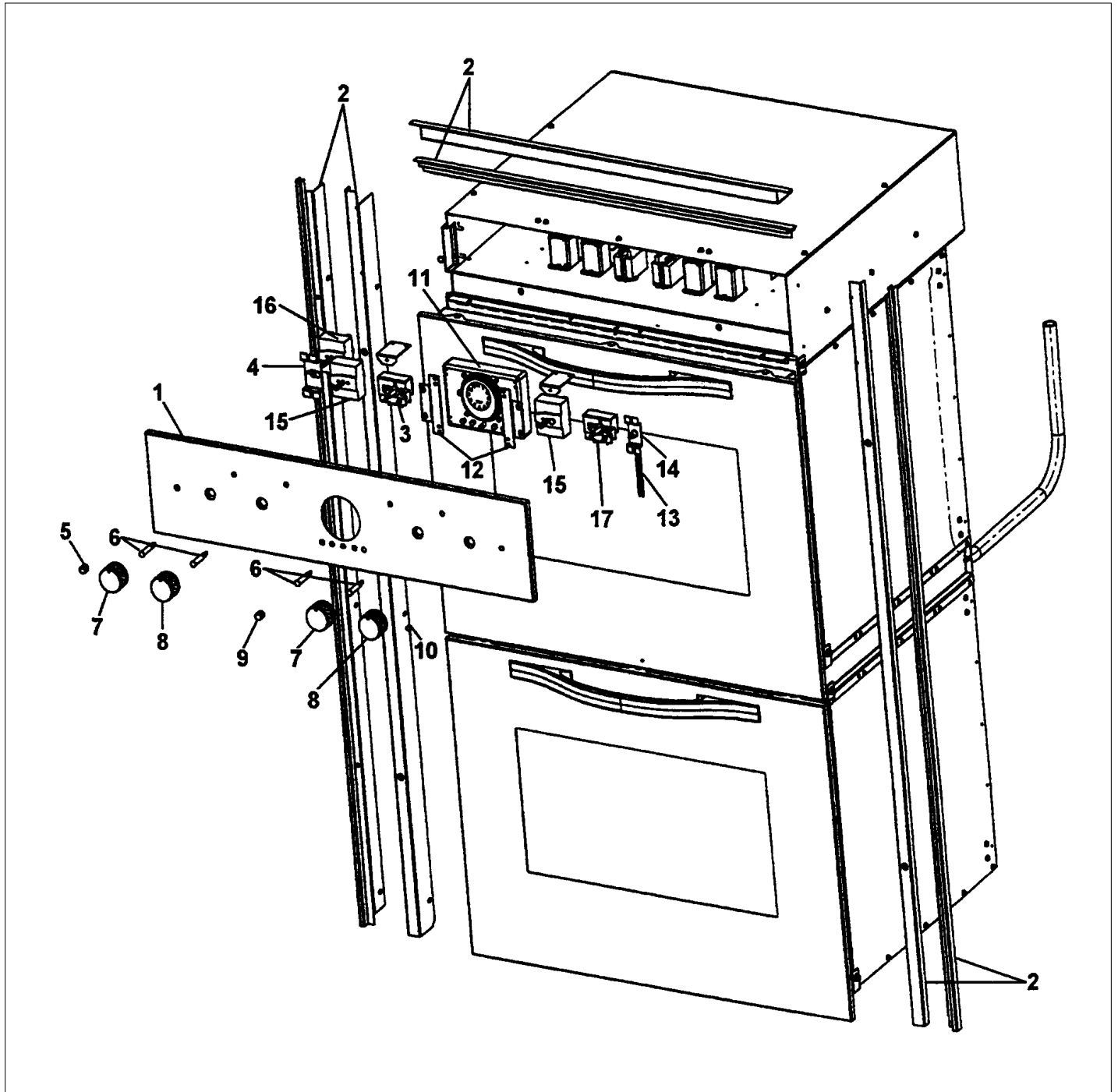


Item	Part No.	Name	Qty	Uom	NOTES
1	B9207254	CONTROL PANEL 27 DBL (DEDO275)		EA	
Not Shown	C9207254BK	CTRL PAN DEDO275 *BK* SLK. SC.		EA	NO LONGER AVAILABLE
Not Shown	C9207254BT	CTRL PAN DEDO275 *BT* SLK. SC.		EA	NO LONGER AVAILABLE, Not available online / Call for pricing and availability
Not Shown	C9207254GG	CTRL PAN DEDO275 *GG* SLK. SC.		EA	NO LONGER AVAILABLE, Not available online / Call for pricing and availability
Not Shown	C9207254SG	CTRL PAN DEDO275 *SG* SLK. SC.		EA	NO LONGER AVAILABLE
Not Shown	C9207254WH	CTRL PAN DEDO275 *WH* SLK. SC.		EA	NO LONGER AVAILABLE
2	G3007287	DEDO270/275 TRIM ASSY		EA	
Not Shown	G90012655BK	DOUBLE SIDE TRIM ASSY 27" BK		EA	
Not Shown	G9007613BT	SUB TO G90012655BT - DEDO270/275 TRIM ASSY *BT*		EA	NO LONGER AVAILABLE, Not available online / Call for pricing and availability
Not Shown	G9007613GG	SUB TO G90012655GG - DEDO270/275 TRIM ASSY *GG*		EA	NO LONGER AVAILABLE, Not available online / Call for pricing and availability
Not Shown	G9007613SG	SUB TO G90012655SG - DEDO270/275 TRIM ASSY *SG*		EA	NO LONGER AVAILABLE, Not available online / Call for pricing and availability
Not Shown	G9007613WH	SUB TO G90012655WH - DEDO270/275 TRIM ASSY *WH*		EA	NO LONGER AVAILABLE, Not available online / Call for pricing and availability
3	PJ030003	THERMOSTAT (SELF CLEAN) VDSC		EA	





Item	Part No.	Name	Qty	Uom	NOTES
Comments for Part Num. PJ030003					
boltz on Nov 21, 2017					
See Bulletin 2005-03					
Reply by steves@bendbroadband.com on Apr 10, 2018					
what bulletin? bulletin should linked here.					
Reply by bradleysapplianceservice@shaw.ca on Sep 27, 2018					
If you have access to Documoto then all you have to do is either run the part number PJ030003 or service bulletin number 2005-03AS in the main search field and all your answer will be there. It's Simple.					
Not Shown	NOTE	(BEFORE 03/08/05)		EA	
Not Shown	PS500033	SUB TO PS500033 - SELF CLEAN THERMOSTAT		EA	
Not Shown	NOTE	(After 03/08/05)		EA	
4	A2006100	THREE POSITION SELECTOR BRKT		EA	
5	PA010110	DESIGNER OVEN SELECTOR KNOB REPL PA010092		EA	
Not Shown	PA010110PVD	DESIGNER OVEN SELECTOR KNOB-BRASS		EA	NO LONGER AVAILABLE
6	PE050073	DESIGNER INDICATOR LT		EA	
7	PA010194	DES. SELECTOR/THERMOSTAT KNOB		EA	
Not Shown	PA010091PVD	DESIGNER SELECTOR KNOB - BR		EA	
Not Shown	PA010095	DESIGNER SELECTOR KNOB - GRAY		EA	
Not Shown	PA010095PVD	DESIGNER SELECTOR KNOB-BR/GRAY		EA	
8	PB010196	DESIGNER THERMOSTAT KNOB		EA	
Not Shown	PB010196PVD	DESIGNER THERMOSTAT KNOB W/BRASS		EA	
Not Shown	PB010204	DESIGNER THERMOSTAT KNOB - GRAY		EA	
Not Shown	PB010204PVD	DESIGNER THERMOSTAT KNOB -BR/GRAY		EA	
9	PB010221	DESIGNER BIT GEN. KNOB (NEW CLOCK)		EA	

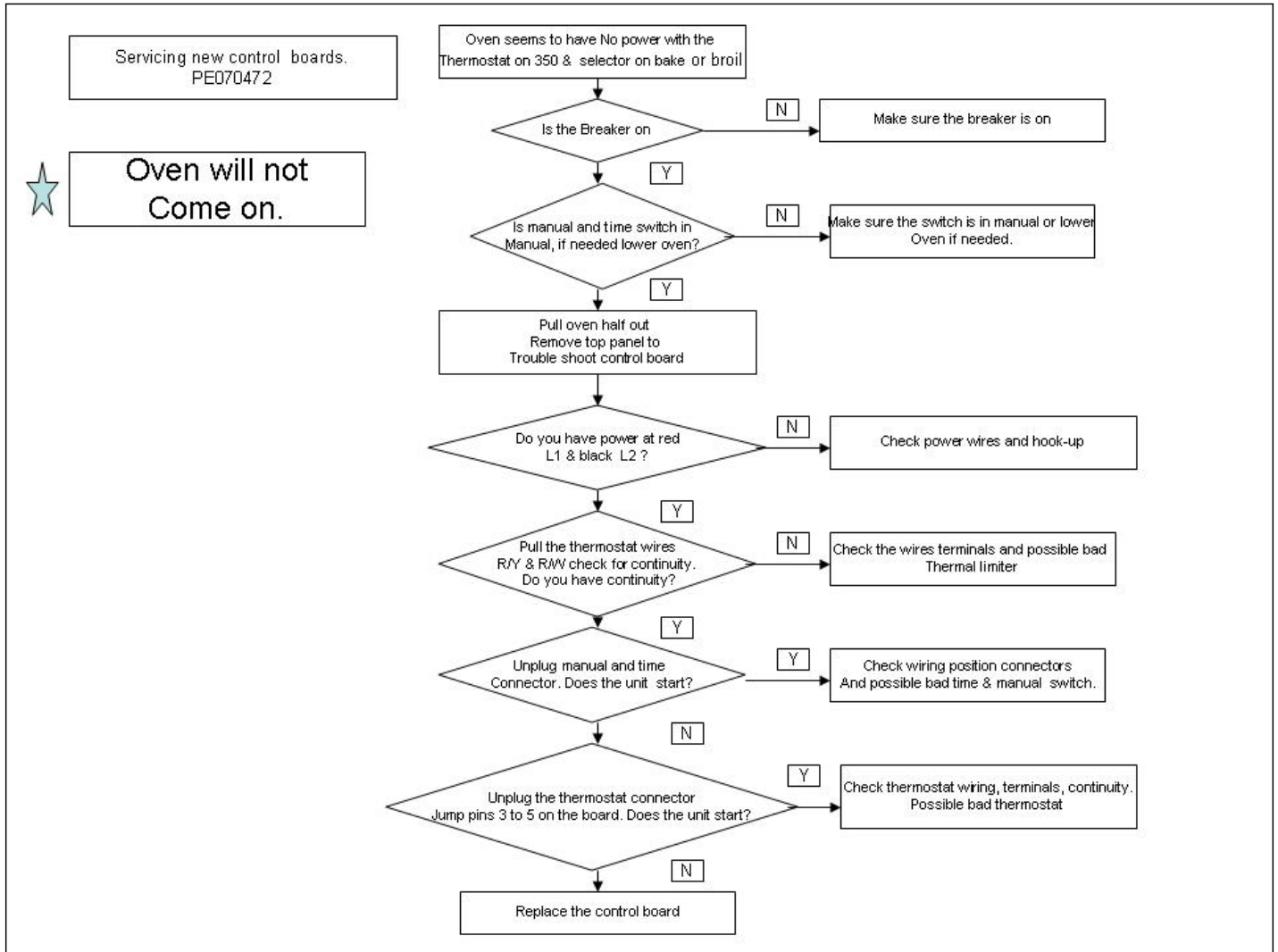




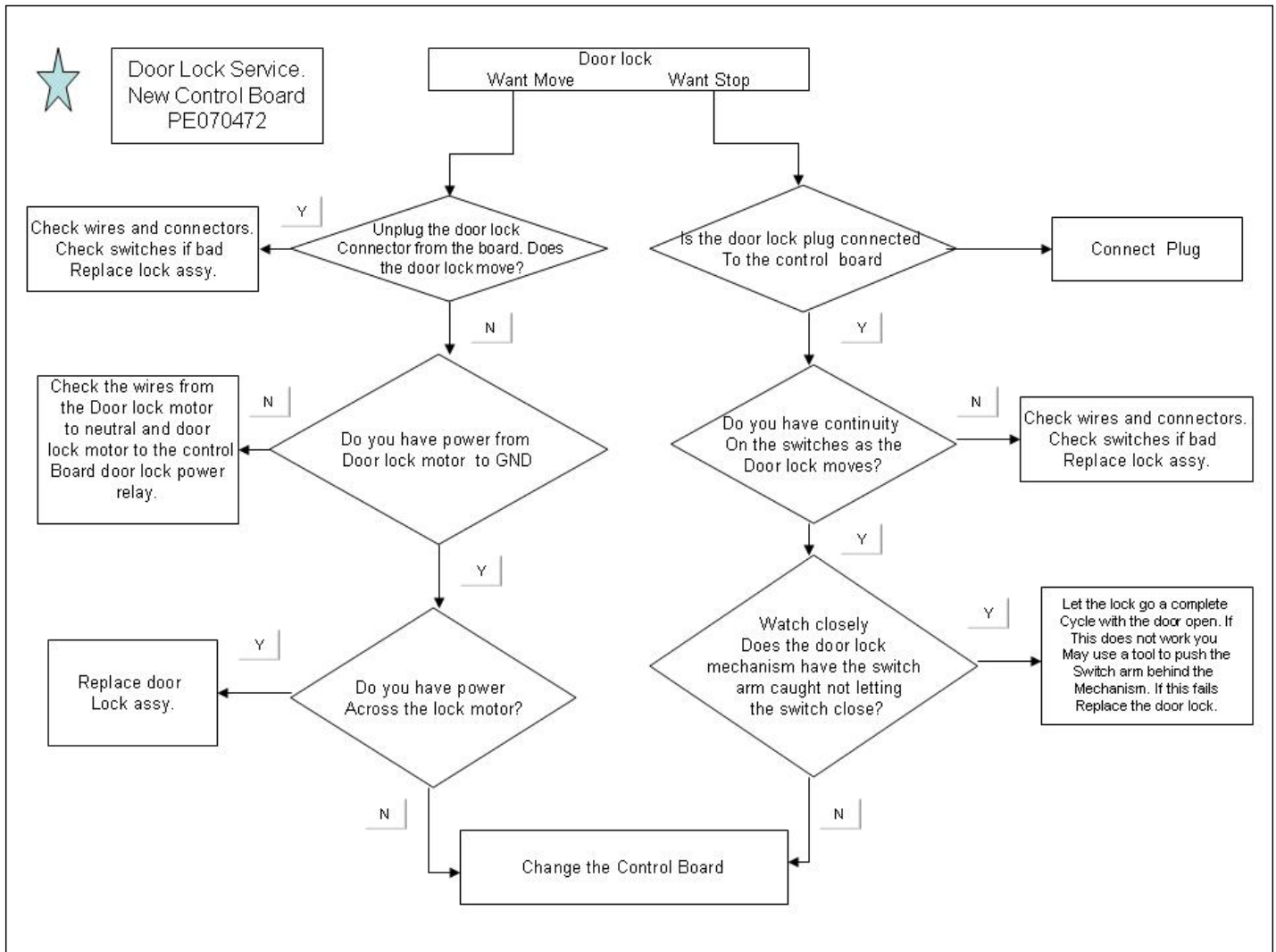


Item	Part No.	Name	Qty	Uom	NOTES
Not Shown	PB010221PVD	DESIGNER BIT GEN. KNOB - BRASS		EA	Not available online / Call for pricing and availability
10	PA010093	DESIGNER OVEN LT SWITCH KNOB		EA	
Not Shown	PA010093PVD	DESIGNER OVEN LT SWITCH KNOB-BRASS		EA	
11	PE050088	DESIGNER CLOCK		EA	
12	A2007255	CLOCK MOUNTING BRACKET		EA	NO LONGER AVAILABLE, Not available online / Call for pricing and availability
13	G4008423	DESIGNER OVEN LIGHT SWITCH ASSY		EA	
14	A2006101	OVEN LIGHT SWITCH BRACKET		EA	
15	PJ030001	SELECTOR SWITCH (8-POSITION) VDSC		EA	
16	PJ030010	SELECTOR SWITCH (3-POSITION)VEDO205		EA	
17	PJ030012	THERMOSTAT (SELF-CLEAN) VESO/VEDO		EA	See Bulletin 2005-03
<p>Comments for Part Num. PJ030012</p> <p>boltz on Nov 21, 2017</p> <p>See Bulletin 2005-03</p>					
Not Shown	NOTE	(BEFORE 03/08/05)		EA	
17	PS500033	SUB TO PS500033 - SELF CLEAN THERMOSTAT		EA	
Not Shown	NOTE	(ON OR AFTER 03/08/05)		EA	
#	H9107911	27" CONTROL MTG. PANEL ASSY - NLA		EA	

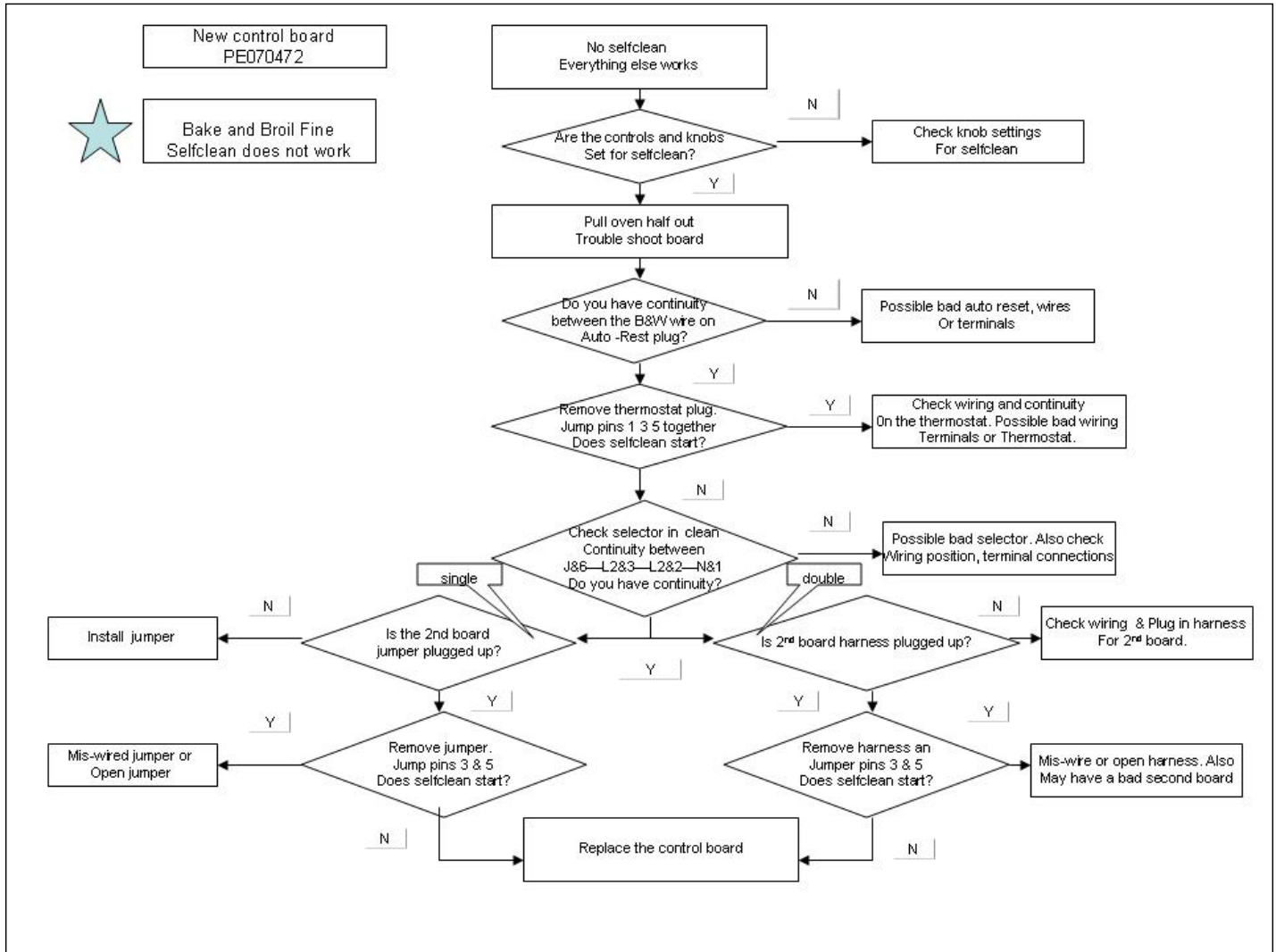
FLOW CHART NEW BOARD BAKE



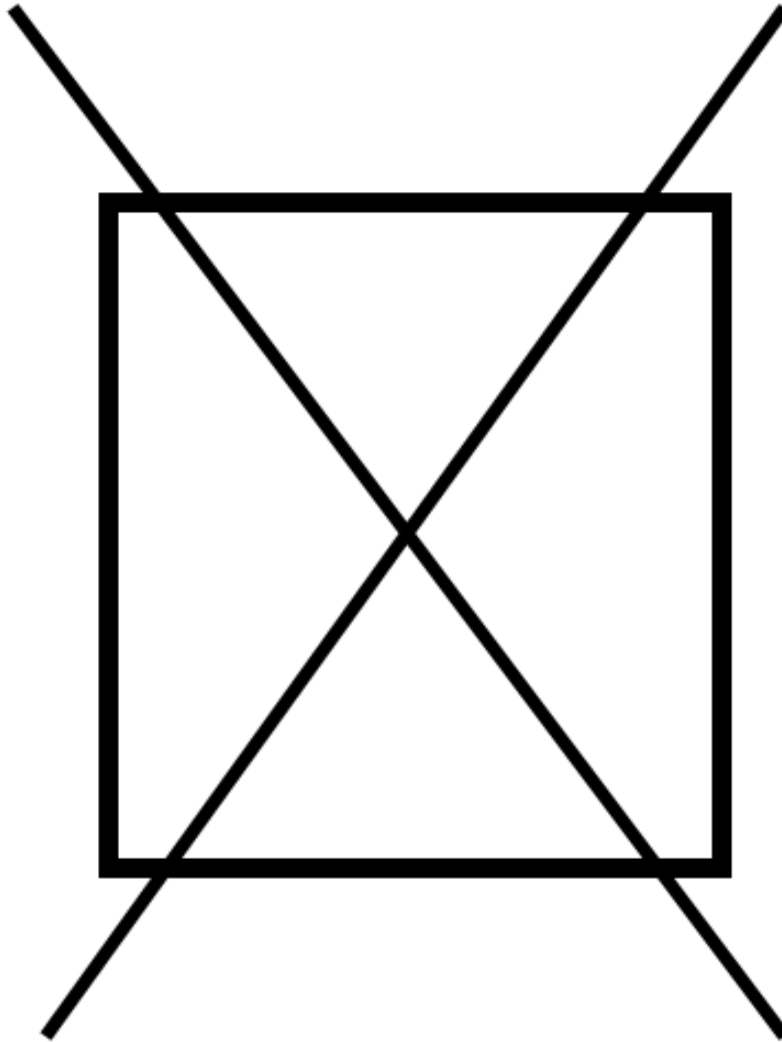
## FLOW CHART NEW BOARD DOOR LOCK



## FLOW CHART SELF CLEAN

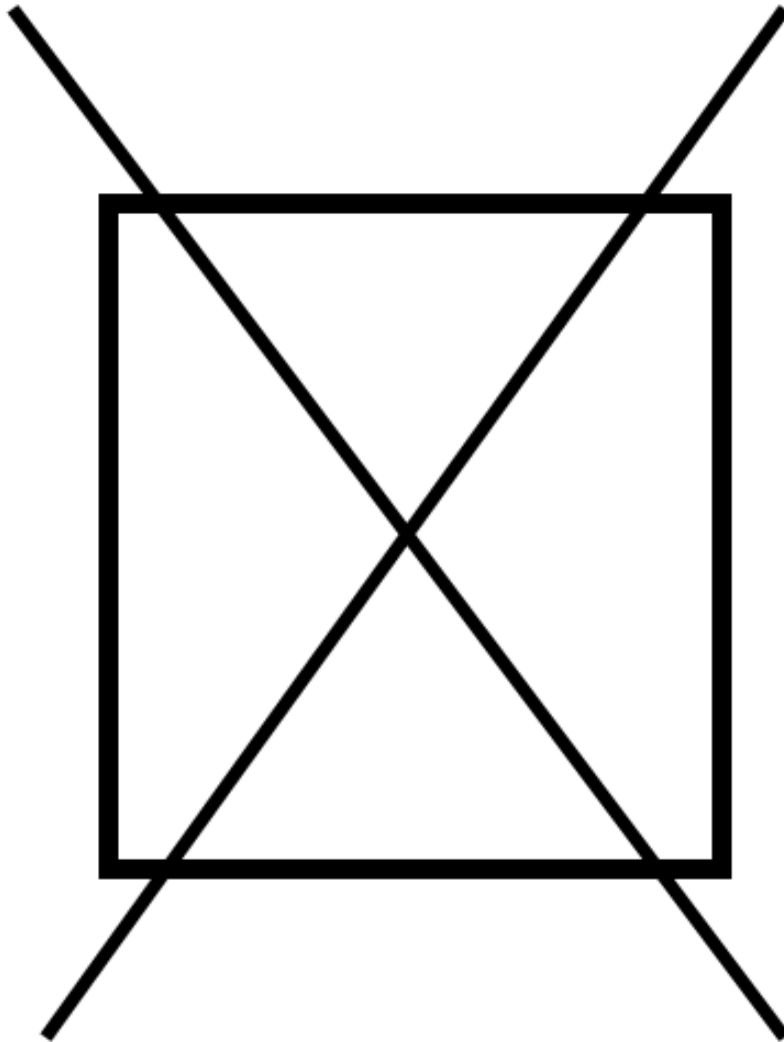


NON  
ILLUSTRATED PART



Item	Part No.	Name	Qty	Uom	NOTES
1	PJ030010	SELECTOR SWITCH (3-POSITION)VEDO205	1	EA	
2	PJ030001	SELECTOR SWITCH (8-POSITION) VDSC	1	EA	
3	PJ030002	AUTO RESET (SELF-CLEAN) VDSC	1	EA	
4	PJ010012	BAKE ELEMENT (VESO176/VEDO276)240V	1	EA	
5	PE050087	BLOWER ASSEMBLY - DESIGNER SERIES	1	EA	
6	PE050088	DESIGNER CLOCK	1	EA	
7	G3207273	CONCEALED BROIL ELEMENT ASSY (DEDO)	1	EA	
8	PJ010003	CONVECTION ELEMENT (VDSC) 240V	1	EA	
9	PE050005	CONVECTION FAN ASSY	1	EA	
10	PE050112	DOOR LATCH	1	EA	
11	PJ030006	SWITCH (COOLING FAN)	1	EA	
12	PE050059	HI-LIMIT SWITCH	1	EA	
13	PE050073	DESIGNER INDICATOR LT	1	EA	
14	PE050114	MEAT PROBE (DESO/DEDO) (SWITCHCRAFT'S PART # 4C7919)	1	EA	
15	PE050115	MEAT PROBE JACK (SWITCHCRAFT'S PART# 3J1505)	1	EA	
<p>Comments for Part Num. PE050115</p> <p>bradleysapplianceservice@shaw.ca on May 8, 2017                      Meat probe is not illustrated on Parts Break Down.                      PE050114 MEAT PROBE</p>					
16	PE050056	OVEN LIGHT ASSY 12V/5W	1	EA	
17	G4008423	DESIGNER OVEN LIGHT SWITCH ASSY	1	EA	
18	PE070308	PRE-HEAT BOARD	1	EA	
19	PM010129	RELAY	1	EA	
20	PM010029	RELAY (DOUBLE POLE-DOUBLE THROW)TEM	1	EA	
21	PE070148	SELF-CLEAN BOARD/TIMER (VDSC)	1	EA	

NON  
ILLUSTRATED PART

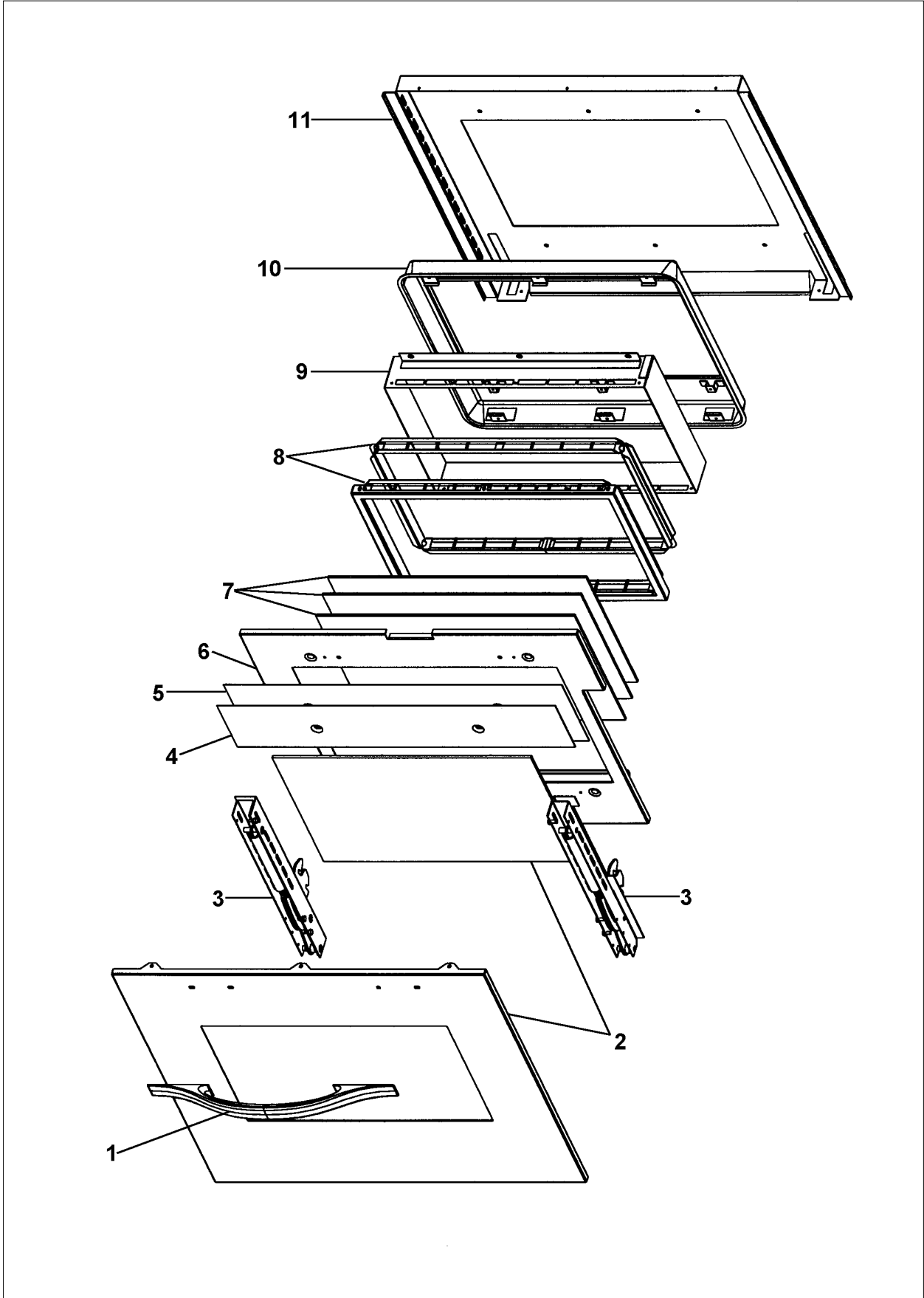




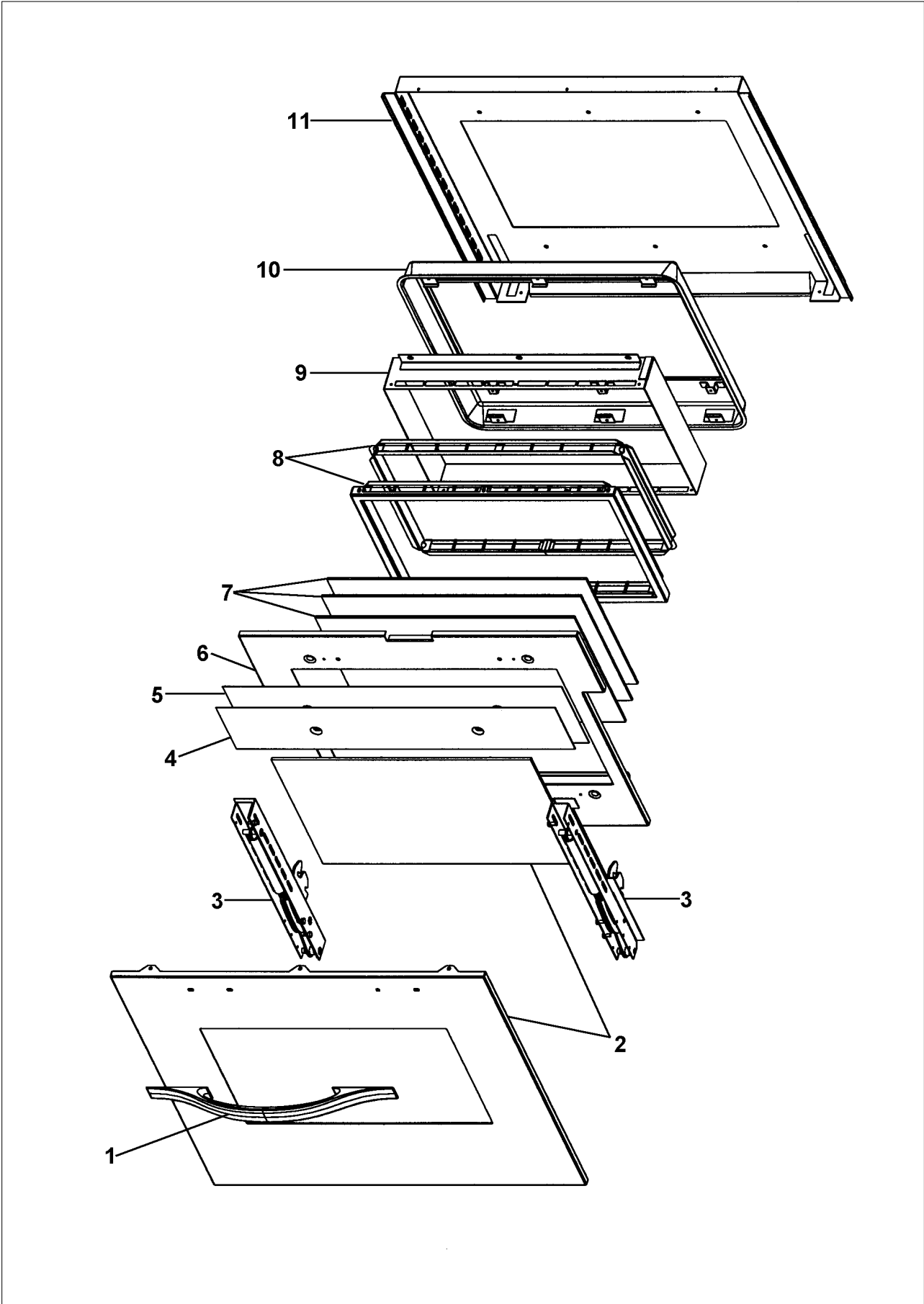
Item	Part No.	Name	Qty	Uom	NOTES
22	PM010014	SMOKE ELIMINATOR (VDSC)	1	EA	
23	PE070147	TERMINAL BLOCK (VDSC)	1	EA	
24	PS500033	SUB TO PS500033 - SELF CLEAN THERMOSTAT	1	EA	
25	PE070468	TRANSFORMER HALOGEN LIGHTS REPLACES PE070222	1	EA	



LOWER DOOR

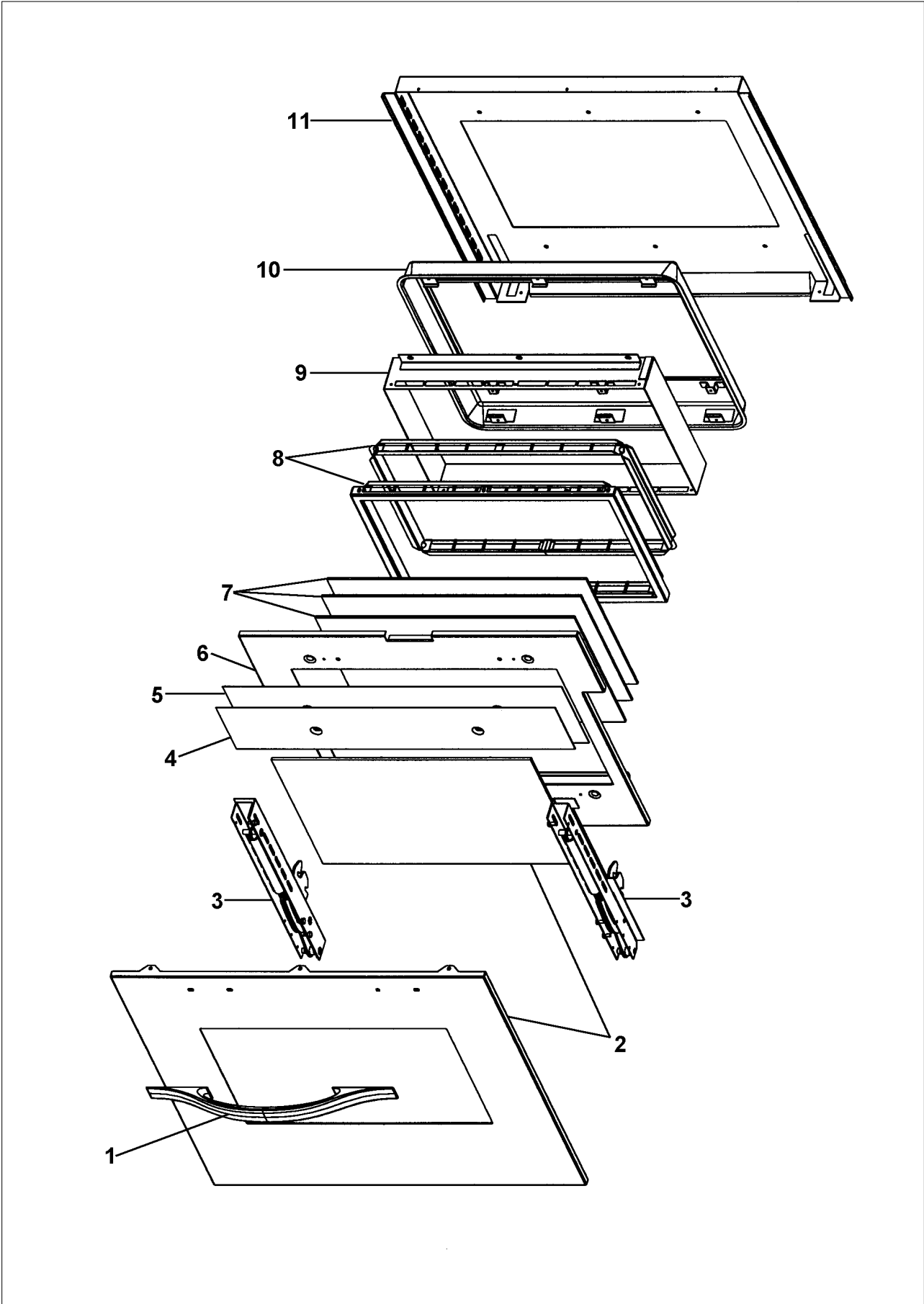


Item	Part No.	Name	Qty	Uom	NOTES
1	PE030165	27" DOOR HANDLE	1	EA	
Not Shown	PE030165PVD	27" DOOR HANDLE PVD	1	EA	NO LONGER AVAILABLE
2	G5008296BK	O/S DOOR SKIN ASSEMBLY (DESIGN)	1	EA	NO LONGER AVAILABLE, Not available online / Call for pricing and availability
Not Shown	G5008296BT	COMPLETE DOOR ASSY (DESIGN)	1	EA	NO LONGER AVAILABLE
Not Shown	G5008296GG	COMPLETE DOOR ASSY (DESIGN)	1	EA	
Not Shown	G5008296SG	COMPLETE DOOR ASSY (DESIGN)	1	EA	NO LONGER AVAILABLE
Not Shown	G5008296SS	COMPLETE DOOR ASSY (DESIGN)	1	EA	
Not Shown	G5008296WH	COMPLETE DOOR ASSY (DESIGN)	1	EA	NO LONGER AVAILABLE, Not available online / Call for pricing and availability
3	006072-000	HINGE, DOOR, ASM, MANSFIELD, DES, GREEN SPRING	2	EA	
Comments for Part Num. 006072-000  bradleysapplianceservice@shaw.ca on Sep 13, 2017 SUBS TO: 006072-000 OVEN DOOR HINGE - GREEN SPRING					
4	A1006198	OUTER DOOR HEAT SHEILD 27	1	EA	
5	A1006197	INNER DOOR HEAT SHEILD 27	1	EA	
6	A2006007	27" DOOR INSULATION RETAINER	1	EA	
7	PE060056	27" GLASS PACK GLASS H.T.	3	EA	
8	H3006155	27 INNER GLASS PK FRAME ASSY	1	EA	
9	H3006157	27 INCH GLASS PACK FRAME WELD	1	EA	
10	G50010119	DESO170/175/DEDO270/275 DR LINER SVC-KIT	1	EA	
11	G50010119	DESO170/175/DEDO270/275 DR LINER SVC-KIT	1	EA	
#	000623-000	DOOR GASKET(3/8"DIA.) (VDSC)	1	EA	





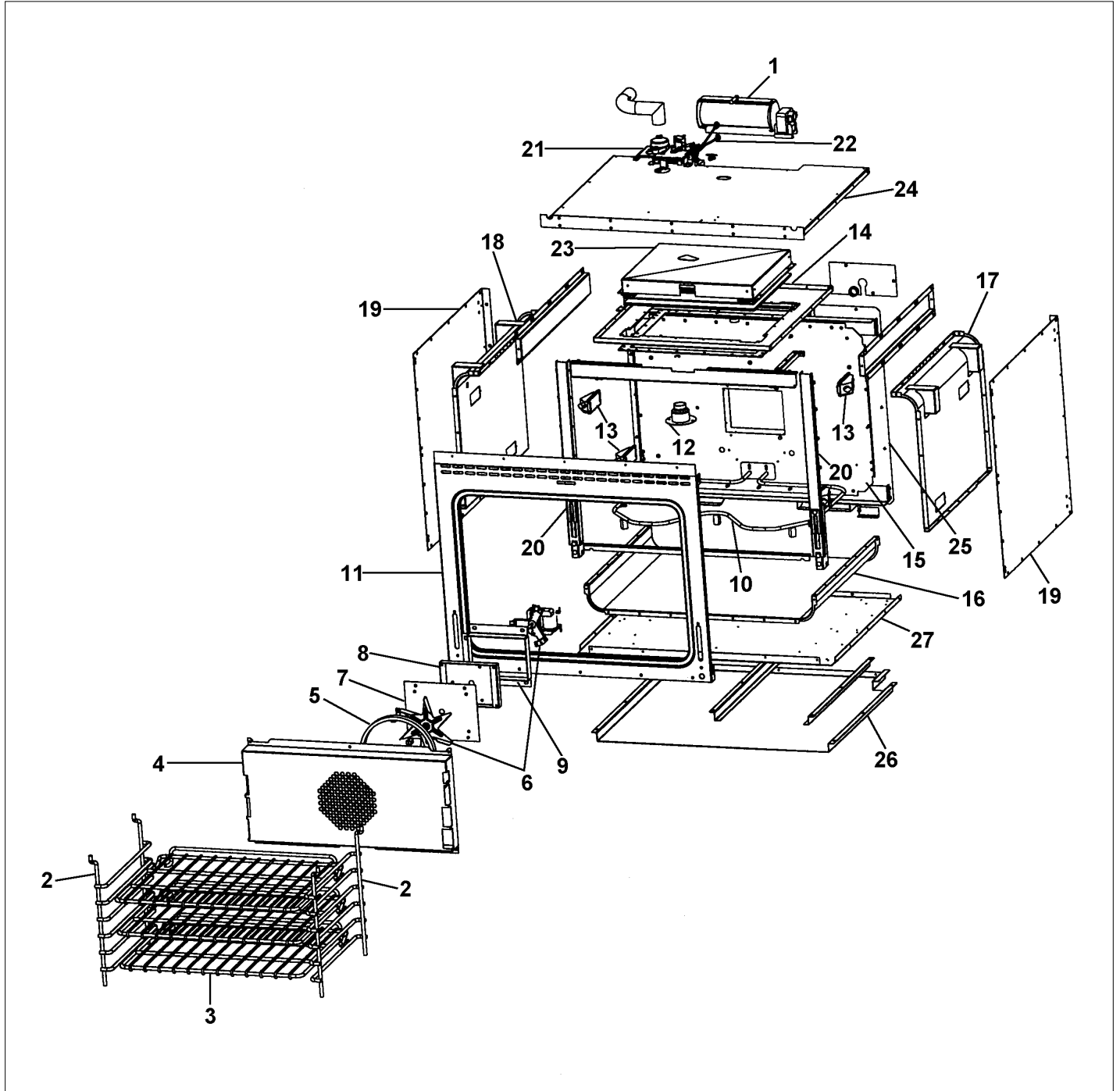
Item	Part No.	Name	Qty	Uom	NOTES
#	PB070092	BOARD INSULATION 27"	1	EA	
#	PB070094	1/4" FIBERGLASS ROPE	1	EA	
#	PD020032	SRW-8(A)X3/8"PH.WFR HD 7/16DIA*NICL	1	EA	
#	B1007913	HINGE CLIP (DESIGNER TIME PIECE)	1	EA	
#	G3207250BK	LOWER DR ASSY *BK* (DEDO275)	1	EA	NO LONGER AVAILABLE
Not Shown	G3207250BKBR	LOWER DR ASSY *BK*BR* (DEDO275)	1	EA	NO LONGER AVAILABLE, Not available online / Call for pricing and availability
Not Shown	G3207250BT	LOWER DR ASSY *BT* (DEDO275)	1	EA	NO LONGER AVAILABLE, Not available online / Call for pricing and availability
Not Shown	G3207250BTBR	LOWER DR ASSY *BT*BR* (DEDO275)	1	EA	NO LONGER AVAILABLE, Not available online / Call for pricing and availability
Not Shown	G3207250GG	LOWER DR ASSY *GG* (DEDO275)	1	EA	NO LONGER AVAILABLE, Not available online / Call for pricing and availability
Not Shown	G3207250GGBR	LOWER DR ASSY *GG*BR* (DEDO275)	1	EA	NO LONGER AVAILABLE, Not available online / Call for pricing and availability
Not Shown	G3207250SG	LOWER DR ASSY *SG* (DEDO275)	1	EA	NO LONGER AVAILABLE, Not available online / Call for pricing and availability
Not Shown	G3207250SGBR	LOWER DR ASSY *SG*BR* (DEDO275)	1	EA	NO LONGER AVAILABLE, Not available online / Call for pricing and availability
Not Shown	G3207250SS	LOWER DR ASSY *SS*(DEDO275)	1	EA	NO LONGER AVAILABLE
Not Shown	G3207250SSBR	LOWER DR ASSY *SS*BR* (DEDO275)	1	EA	NO LONGER AVAILABLE, Not available online / Call for pricing and availability





Item	Part No.	Name	Qty	Uom	NOTES
Not Shown	G3207250WH	LOWER DR ASSY *WH* (DEDO275)	1	EA	NO LONGER AVAILABLE
Not Shown	G3207250WHBR	LOWER DR ASSY *WH*BR* (DEDO275)	1	EA	NO LONGER AVAILABLE, Not available online / Call for pricing and availability

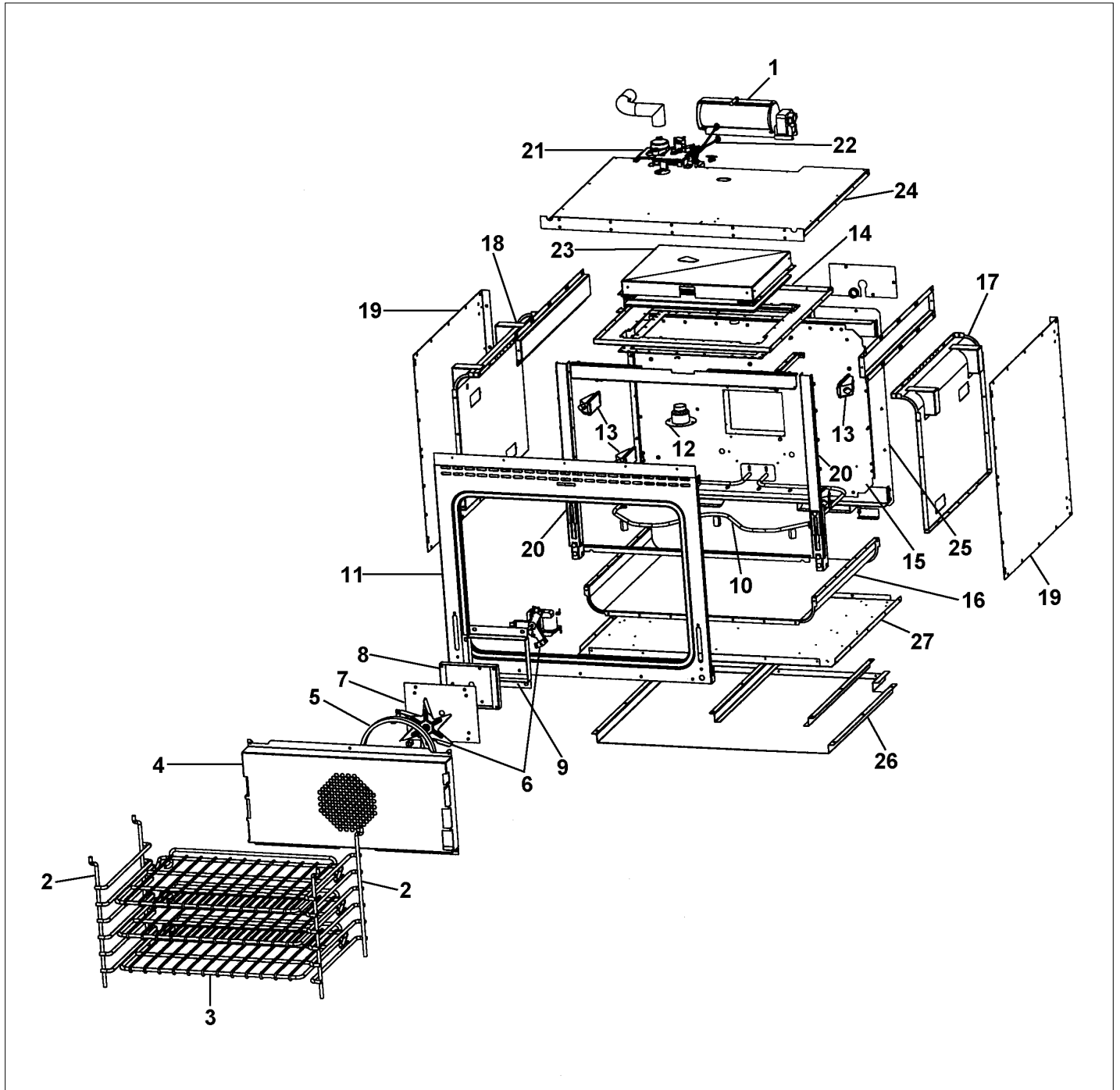
LOWER OVEN





Item	Part No.	Name	Qty	Uom	NOTES
1	PE050087	BLOWER ASSEMBLY - DESIGNER SERIES	1	EA	
2	PB060030	RACK SUPT REPL PB060010	1	EA	
3	PB060048	OVEN RACK - 27"	1	EA	NO LONGER AVAILABLE
4	G9104316	CONVECTION FAN ASSY (VESO176/DO276)	1	EA	Not available online / Call for pricing and availability
5	PJ010003	CONVECTION ELEMENT (VDSC) 240V	1	EA	
6	PE050005	CONVECTION FAN ASSY	1	EA	
7	A1002596	CONVECTION FAN COVER (VDSC)	1	EA	
8	A2002595	CONVECTION FAN BOX (VDSC)	1	EA	
9	A2001746	SIDE FAN SHIELD	1	EA	Not available online / Call for pricing and availability
10	PJ010012	BAKE ELEMENT (VESO176/VEDO276)240V	1	EA	
11	H9107468	27" LOWER FRONT FRAME ASSY	1	EA	NO LONGER AVAILABLE
12	PM010014	SMOKE ELIMINATOR (VDSC)	1	EA	
13	PE050056	OVEN LIGHT ASSY 12V/5W	1	EA	
14	E9107265	OVEN TOP 27" (DEDO275)	1	EA	NO LONGER AVAILABLE, Not available online / Call for pricing and availability
15	E9107266	OVEN BACK 27" (DEDO275)	1	EA	NO LONGER AVAILABLE, Not available online / Call for pricing and availability
16	NOT REPLACEABLE	OVEN BOTTOM	1	EA	
17	NOT REPLACEABLE	OVEN SIDE ASSEMBLY - RH	1	EA	
18	NOT REPLACEABLE	OVEN SIDE ASSEMBLY - LH	1	EA	
19	A2002904	SIDE INSULATION RETAINER	1	EA	NO LONGER AVAILABLE, Not available online / Call for pricing and availability
20	PC020016	HINGE RECEIVER (VEDO/VEDO)	1	EA	

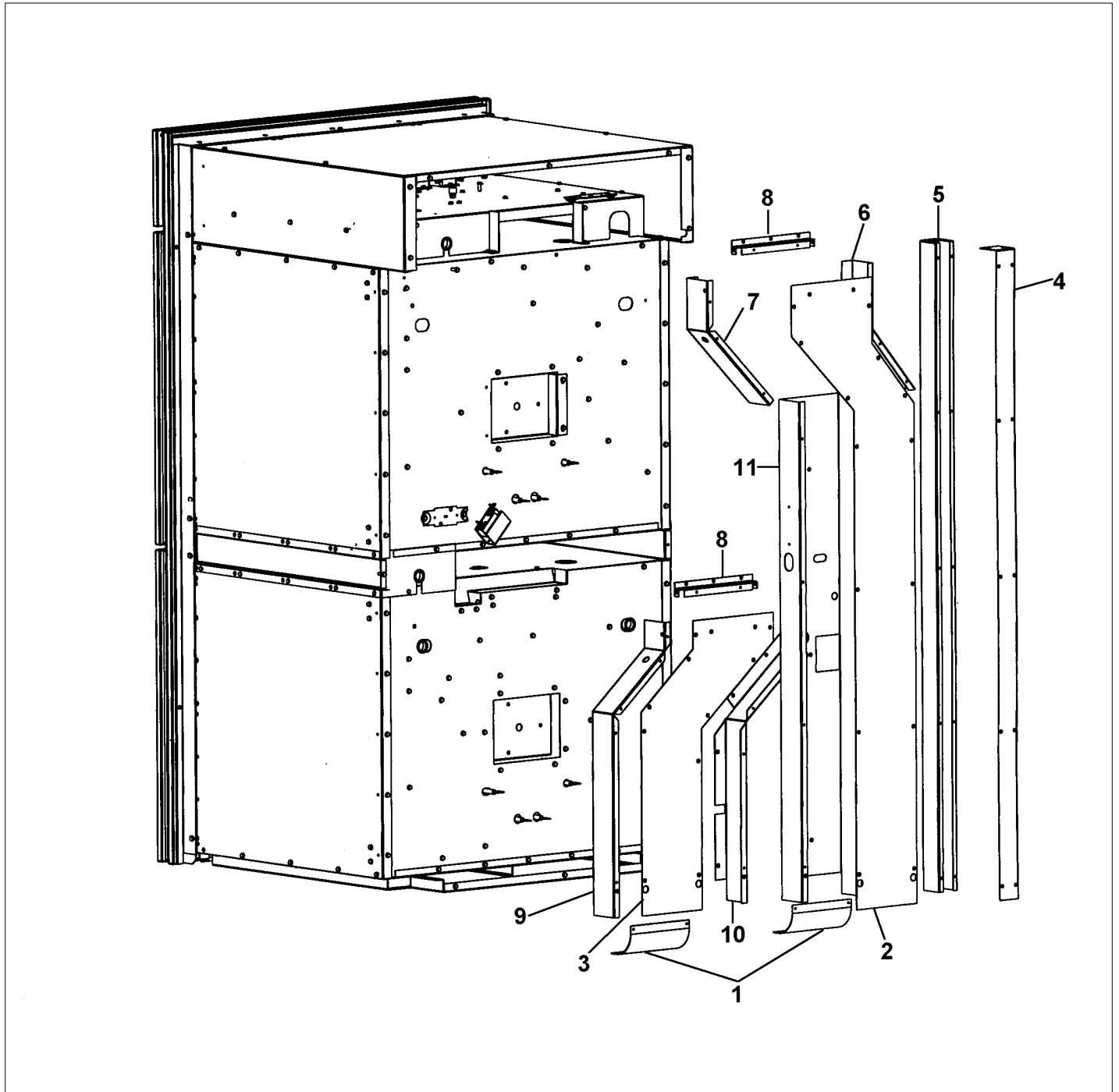






Item	Part No.	Name	Qty	Uom	NOTES
21	PE050112	DOOR LATCH	1	EA	
22	PE050059	HI-LIMIT SWITCH	1	EA	
23	G3207273	CONCEALED BROIL ELEMENT ASSY (DEDO)	1	EA	
24	G3007464	27 LOWER TOP INSUL. RETAIN. ASSY	1	EA	NO LONGER AVAILABLE, Not available online / Call for pricing and availability
25	A1007282	LOWER BACK INSUL. PANEL 27"	1	EA	
26	NOT REPLACEABLE	BOTTOM VENT ASSEMBLY	1	EA	
27	NOT REPLACEABLE	BOTTOM INSULATION RETAINER ASSY.	1	EA	
NI	PJ030006	SWITCH (COOLING FAN)	1	EA	
NI	E9107933	BROILER PAN	1	EA	
NI	E9107934	BROILER PAN INSERT - NLA	1	EA	

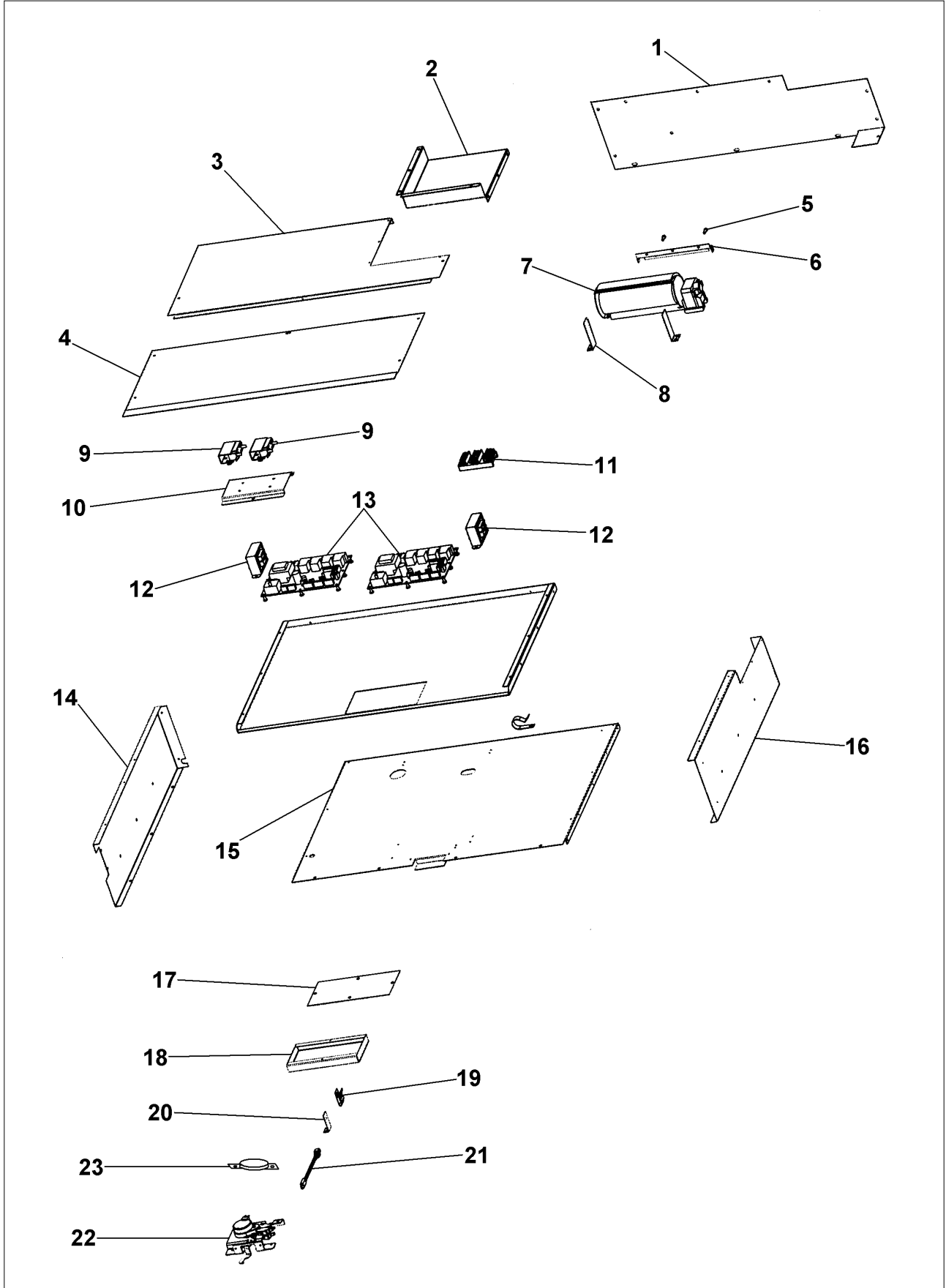
REAR PANEL





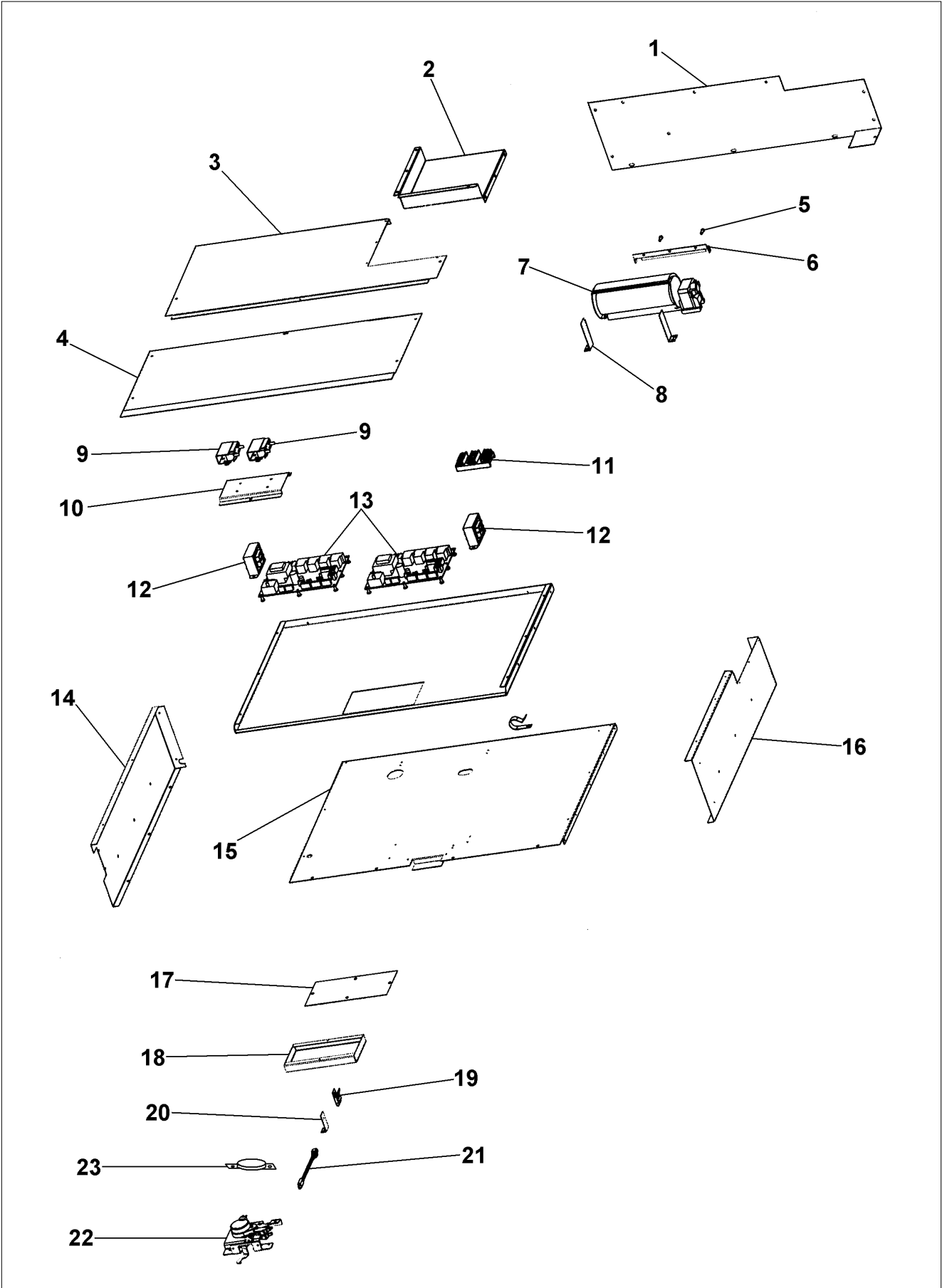
Item	Part No.	Name	Qty	Uom	NOTES
1	A2006182	AIR SCOOP	1	EA	NO LONGER AVAILABLE
2	A1006179	DOUBLE VENT COVER PLATE	1	EA	NO LONGER AVAILABLE, Not available online / Call for pricing and availability
3	A1006178	LOWER VENT COVER PLATE	1	EA	NO LONGER AVAILABLE, Not available online / Call for pricing and availability
4	A2006180	DOUBLE OVEN FLUE COVER	1	EA	NO LONGER AVAILABLE, Not available online / Call for pricing and availability
5	A2006181	DOUBLE OVEN FLUE	1	EA	NO LONGER AVAILABLE, Not available online / Call for pricing and availability
6	A2006324	VENT SIDE LH	1	EA	NO LONGER AVAILABLE, Not available online / Call for pricing and availability
7	A2006323	VENT SIDE RH	1	EA	NO LONGER AVAILABLE, Not available online / Call for pricing and availability
8	A2006048	FAN MOUNTING BRACKET	1	EA	NO LONGER AVAILABLE, Not available online / Call for pricing and availability
9	A2006321	LOWER VENT SIDE RH	1	EA	NO LONGER AVAILABLE, Not available online / Call for pricing and availability
10	A2006322	LOWER VENT SIDE RH	1	EA	NO LONGER AVAILABLE, Not available online / Call for pricing and availability
11	A2006199	LOWER AIR VENT	1	EA	NO LONGER AVAILABLE, Not available online / Call for pricing and availability

UPPER CABINET - AFTER 03-08-04





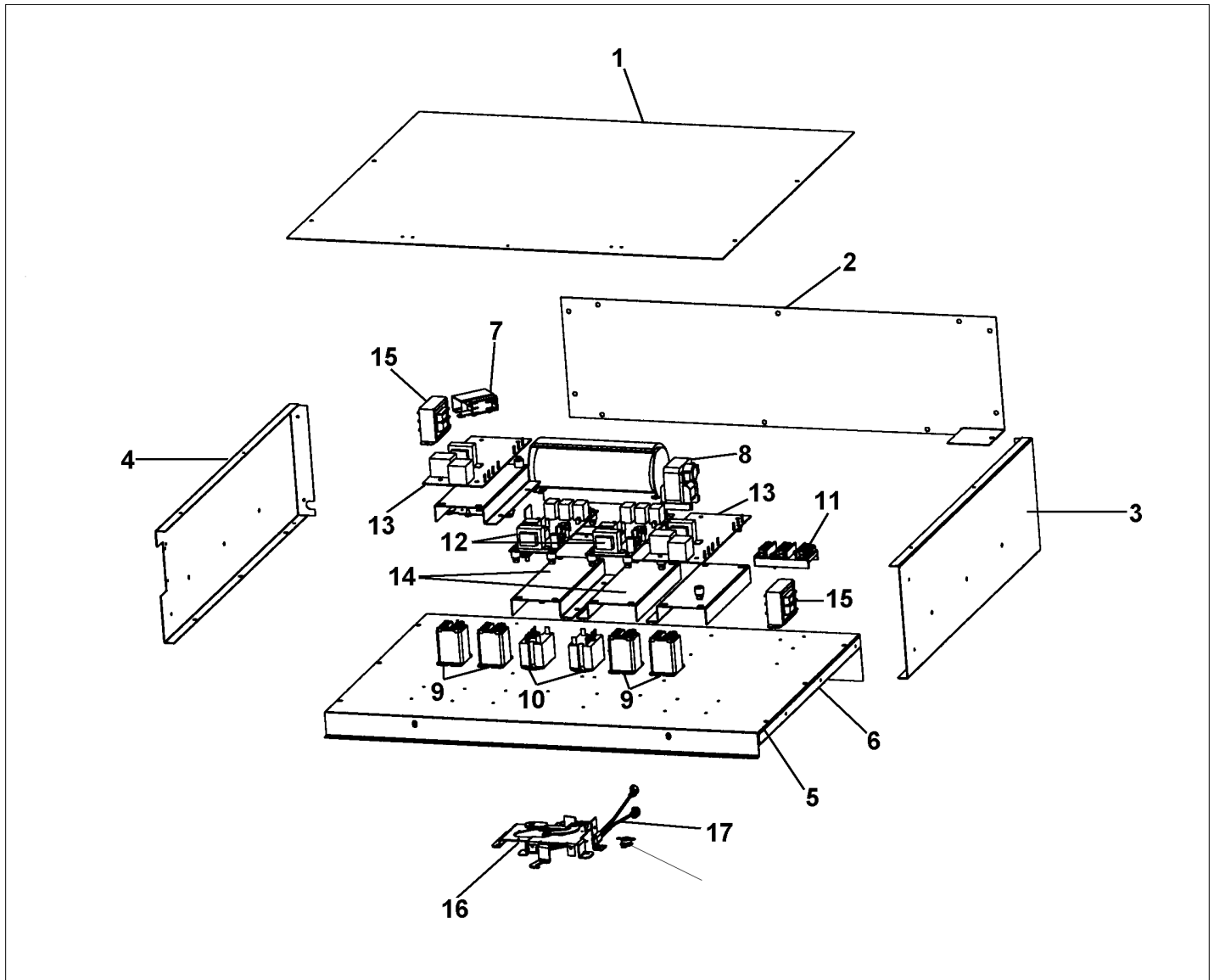
Item	Part No.	Name	Qty	Uom	NOTES
1	A2008558	27" TOP REAR COVER	1	EA	NO LONGER AVAILABLE, Not available online / Call for pricing and availability
2	A2008543	TOP CHANNEL	1	EA	NO LONGER AVAILABLE, Not available online / Call for pricing and availability
3	A20010564	27" CABINET TOP REAR	1	EA	NO LONGER AVAILABLE, Not available online / Call for pricing and availability
4	A20010581	27" CABINET TOP FRONT	1	EA	NO LONGER AVAILABLE, Not available online / Call for pricing and availability
5	PD020060	10 X 1/2" (5/16)HEX WSHER HD.(T)A	1	EA	
6	A2006048	FAN MOUNTING BRACKET	1	EA	NO LONGER AVAILABLE, Not available online / Call for pricing and availability
7	PE050087	BLOWER ASSEMBLY - DESIGNER SERIES	1	EA	
8	A2006183	AIR GUIDE	1	EA	NO LONGER AVAILABLE, Not available online / Call for pricing and availability
9	PJ030002	AUTO RESET (SELF-CLEAN) VDSC	1	EA	
10	A2009884	AUTO RESET BRACKET	1	EA	NO LONGER AVAILABLE, Not available online / Call for pricing and availability
11	PE070147	TERMINAL BLOCK (VDSC)	1	EA	
12	PE070468	TRANSFORMER HALOGEN LIGHTS REPLACES PE070222	1	EA	
13	PE070786	ELECTRONIC CONTROL BOARD	1	EA	
14	A2007699	CABINET SIDE LH	1	EA	NO LONGER AVAILABLE, Not available online / Call for pricing and availability



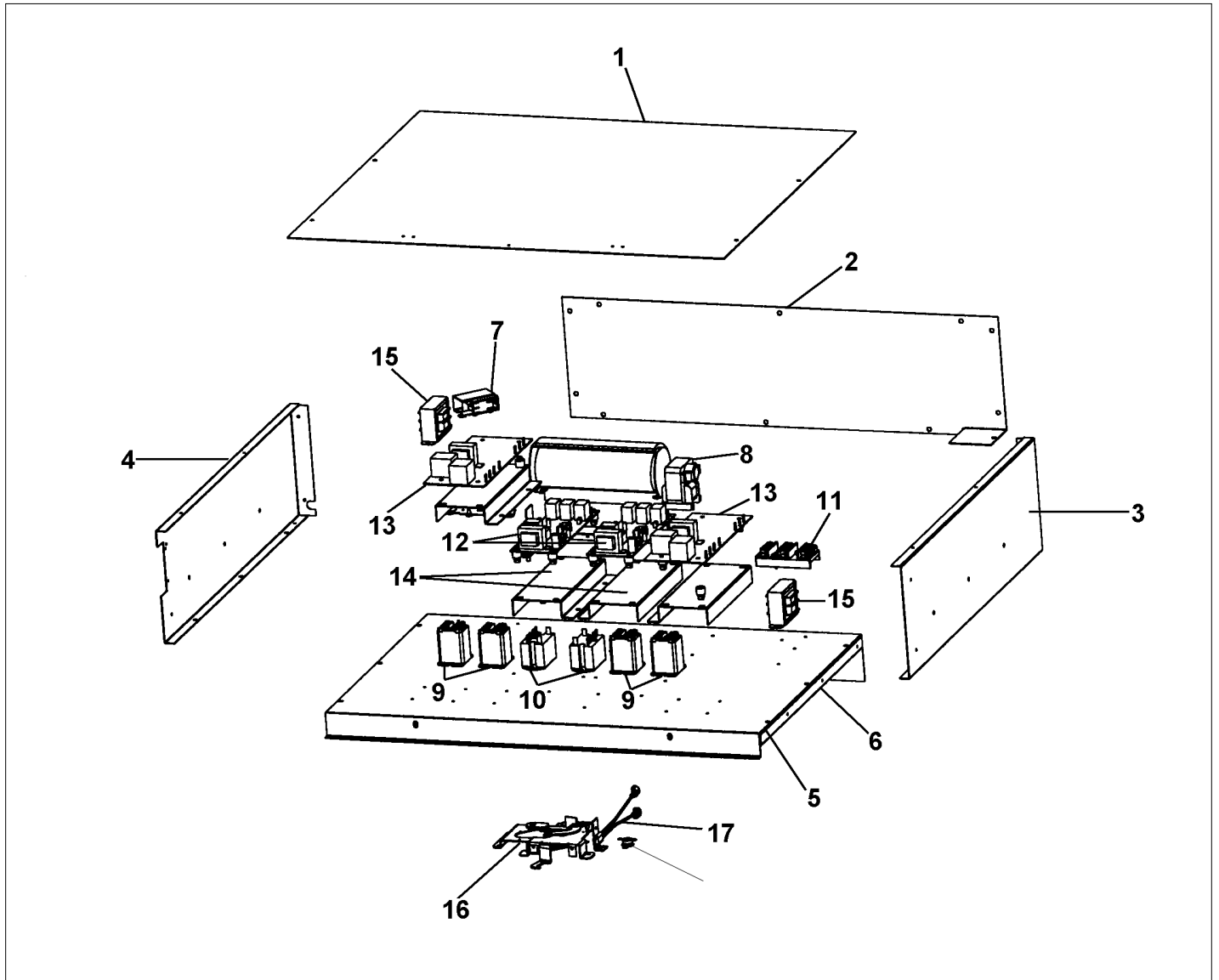
Item	Part No.	Name	Qty	Uom	NOTES
15	A2007281	TOP INSULATION RETAINER 27"	1	EA	NO LONGER AVAILABLE, Not available online / Call for pricing and availability
16	A2007906	30"" SINGLE CAB. SIDE RH	1	EA	NO LONGER AVAILABLE, Not available online / Call for pricing and availability
17	A10010553	LOCK COVER	1	EA	NO LONGER AVAILABLE, Not available online / Call for pricing and availability
18	A20010554	LOCK BOX	1	EA	NO LONGER AVAILABLE, Not available online / Call for pricing and availability
19	PD030062	.250 HI-LIMIT SWITCH CLAMP(VGSC306)	1	EA	
20	A2007276	LIMIT SWITCH BRACKET	1	EA	NO LONGER AVAILABLE, Not available online / Call for pricing and availability
21	PE050059	HI-LIMIT SWITCH	1	EA	
22	PE050112	DOOR LATCH	1	EA	
23	PJ030006	SWITCH (COOLING FAN)	1	EA	



UPPER CABINET - BEFORE 03-08-04



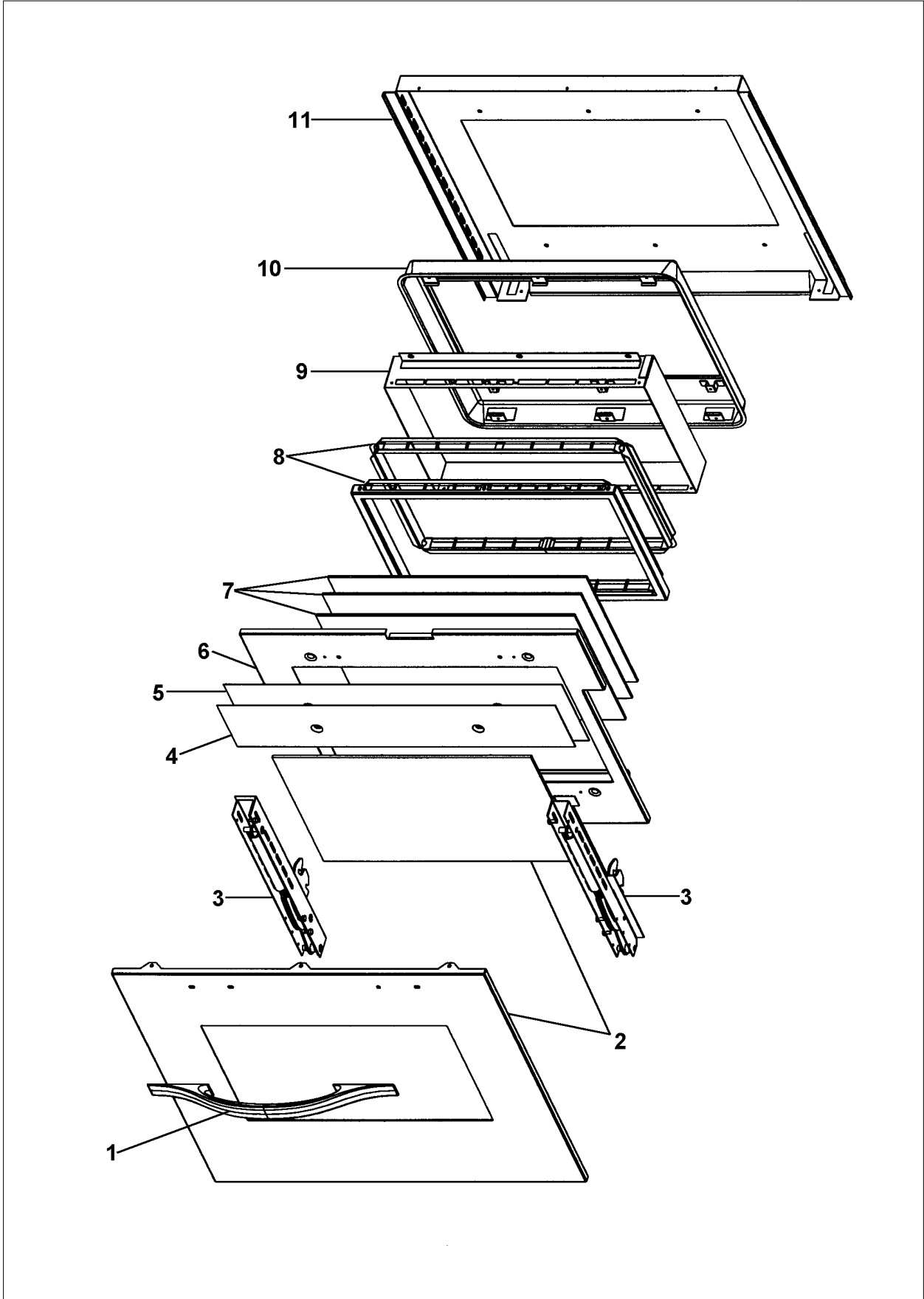
Item	Part No.	Name	Qty	Uom	NOTES
1	A2007957	27" CABINET TOP		EA	NO LONGER AVAILABLE, Not available online / Call for pricing and availability
2	A2007905	27" TOP REAR COVER		EA	NO LONGER AVAILABLE, Not available online / Call for pricing and availability
3	A2007698	CABINET SIDE RH		EA	NO LONGER AVAILABLE, Not available online / Call for pricing and availability
4	A2007699	CABINET SIDE LH		EA	NO LONGER AVAILABLE, Not available online / Call for pricing and availability
5	Not Replaceable	Module Pan		EA	Not available online / Call for pricing and availability
6	Not Replaceable	Module Pan		EA	Not available online / Call for pricing and availability
7	PJ030002	AUTO RESET (SELF-CLEAN) VDSC		EA	
8	PE050087	BLOWER ASSEMBLY - DESIGNER SERIES		EA	
9	PM010029	RELAY (DOUBLE POLE-DOUBLE THROW)TEM		EA	
10	PM010129	RELAY		EA	
11	PE070147	TERMINAL BLOCK (VDSC)		EA	
12	PE070148	SELF-CLEAN BOARD/TIMER (VDSC)		EA	
13	PE070308	PRE-HEAT BOARD		EA	
14	A2007212	CLEAN BOARD MOUNTING BRACKET		EA	NO LONGER AVAILABLE, Not available online / Call for pricing and availability
15	PE070468	TRANSFORMER HALOGEN LIGHTS REPLACES PE070222		EA	
16	PE050112	DOOR LATCH		EA	
17	PE050059	HI-LIMIT SWITCH		EA	





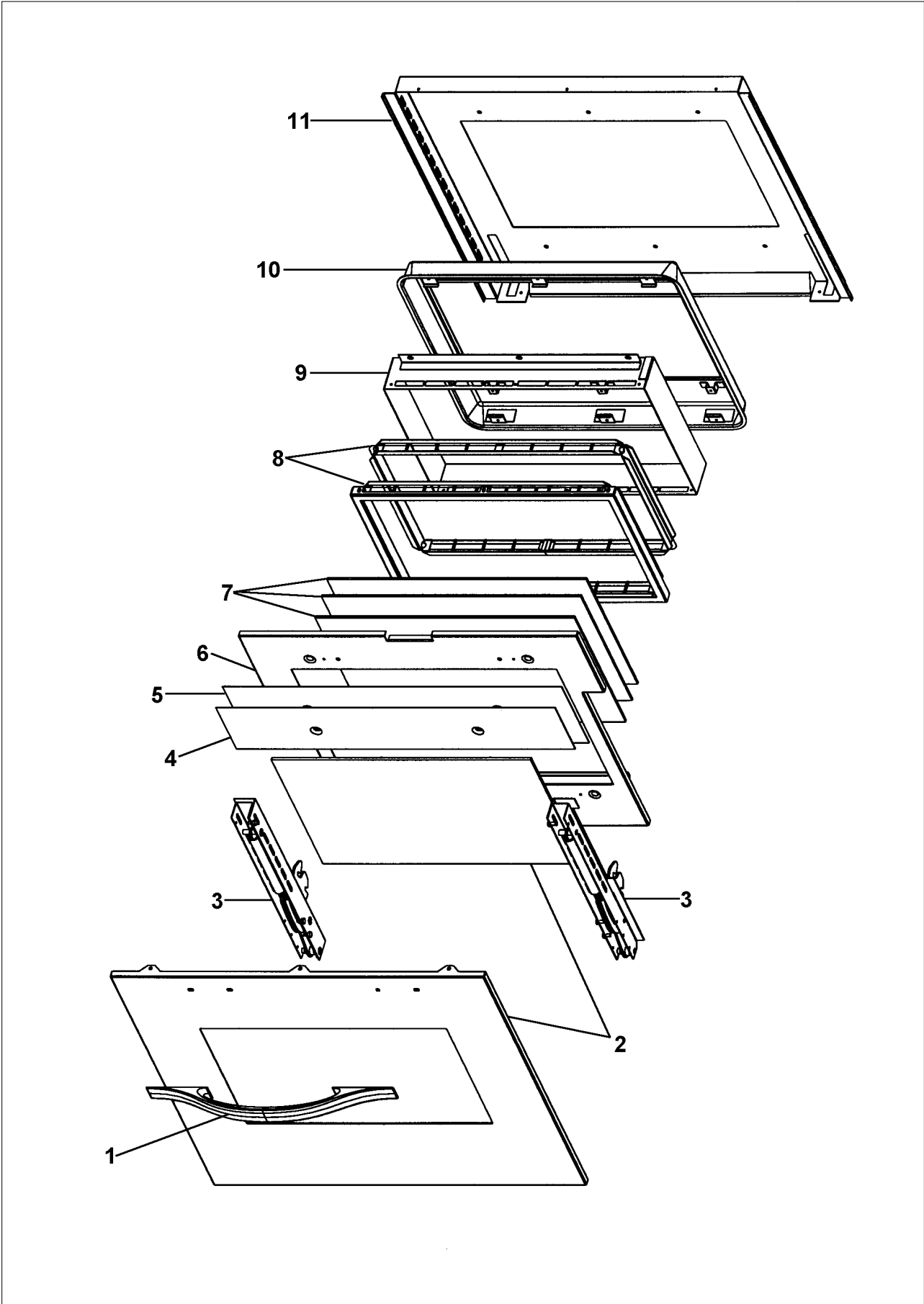
Item	Part No.	Name	Qty	Uom	NOTES
18	PJ030006	SWITCH (COOLING FAN)		EA	
#	PE070319	DESO PREHEAT HARNESS		EA	
#	PE070320	DED0 PREHEAT HARNESS		EA	

UPPER DOOR



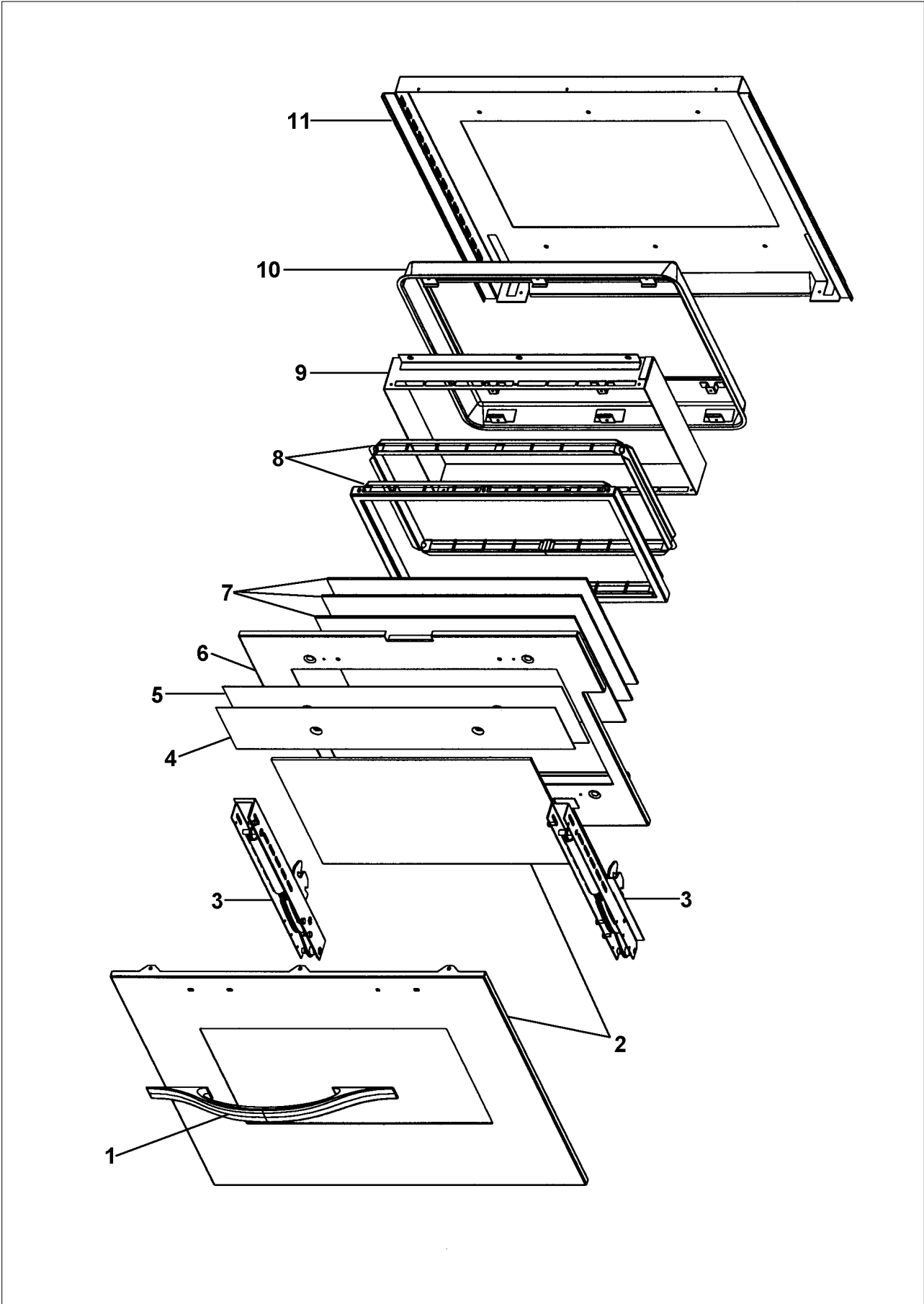


Item	Part No.	Name	Qty	Uom	NOTES
1	PE030165	27" DOOR HANDLE	1	EA	
Not Shown	PE030165PVD	27" DOOR HANDLE PVD	1	EA	NO LONGER AVAILABLE
2	G5008295BK	O/S DOOR SKIN ASSEMBLY (DESIGN)	1	EA	NO LONGER AVAILABLE
Not Shown	G5008295BT	O/S DOOR SKIN ASSEMBLY (DESIGN)	1	EA	NO LONGER AVAILABLE
Not Shown	G5008295GG	O/S DOOR SKIN ASSEMBLY (DESIGN)	1	EA	NO LONGER AVAILABLE
Not Shown	G5008295SG	O/S DOOR SKIN ASSEMBLY (DESIGN)	1	EA	NO LONGER AVAILABLE, Not available online / Call for pricing and availability
Not Shown	G5008295SS	O/S DOOR SKIN ASSEMBLY (DESIGN)	1	EA	
Not Shown	G5008295WH	O/S DOOR SKIN ASSEMBLY (DESIGN)	1	EA	NO LONGER AVAILABLE
3	006072-000	HINGE, DOOR, ASM, MANSFIELD, DES, GREEN SPRING	2	EA	
<p>Comments for Part Num. 006072-000</p> <p>bradleysapplianceservice@shaw.ca on Sep 13, 2017</p> <p>SUBS TO: 006072-000 OVEN DOOR HINGE - GREEN SPRING</p>					
4	A1006198	OUTER DOOR HEAT SHEILD 27	1	EA	
5	A1006197	INNER DOOR HEAT SHEILD 27	1	EA	
6	A2006007	27" DOOR INSULATION RETAINER	1	EA	
7	PE060056	27" GLASS PACK GLASS H.T.	3	EA	
8	H3006155	27 INNER GLASS PK FRAME ASSY	1	EA	
9	H3006157	27 INCH GLASS PACK FRAME WELD	1	EA	
10	G50010119	DESO170/175/DEDO270/275 DR LINER SVC-KIT	1	EA	
11	G50010119	DESO170/175/DEDO270/275 DR LINER SVC-KIT	1	EA	
#	000623-000	DOOR GASKET(3/8"DIA.) (VDSC)	1	EA	
#	PB070092	BOARD INSULATION 27"	1	EA	
#	PB070094	1/4" FIBERGLASS ROPE	1	EA	



Item	Part No.	Name	Qty	Uom	NOTES
#	PD020032	SRW-8(A)X3/8"PH.WFR HD 7/16DIA*NICL	1	EA	
#	B1007913	HINGE CLIP (DESIGNER TIME PIECE)	1	EA	
#	G3207284BK	DOOR ASSY *BK*(DEDO275/DESO175)	1	EA	NO LONGER AVAILABLE, Not available online / Call for pricing and availability
Not Shown	G3207284BKBR	DOOR ASSY *BK*BR*(DEDO275/DESO175)	1	EA	NO LONGER AVAILABLE, Not available online / Call for pricing and availability
Not Shown	G3207284BT	DOOR ASSY *BT* (DEDO275/DESO175)	1	EA	NO LONGER AVAILABLE, Not available online / Call for pricing and availability
Not Shown	G3207284BTBR	DOOR ASSY *BT*BR*(DEDO275/DESO175)	1	EA	NO LONGER AVAILABLE, Not available online / Call for pricing and availability
Not Shown	G3207284GG	DOOR ASSY *GG* (DEDO275/DESO175)	1	EA	NO LONGER AVAILABLE, Not available online / Call for pricing and availability
Not Shown	G3207284GGBR	DOOR ASSY *GG*BR*(DEDO275/DESO175)	1	EA	NO LONGER AVAILABLE, Not available online / Call for pricing and availability
Not Shown	G3207284SG	DOOR ASSY *SG* (DEDO275/DESO175)	1	EA	NO LONGER AVAILABLE, Not available online / Call for pricing and availability
Not Shown	G3207284SGBR	DOOR ASSY *SG*BR*(DEDO275/DESO175)	1	EA	NO LONGER AVAILABLE, Not available online / Call for pricing and availability
Not Shown	G3207284SS	DOOR ASSY *SS*(DEDO275/DESO175)	1	EA	
Not Shown	G3207284SSBR	DOOR ASSY *SS*BR*(DEDO275/DESO175)	1	EA	NO LONGER AVAILABLE, Not available online / Call for pricing and availability

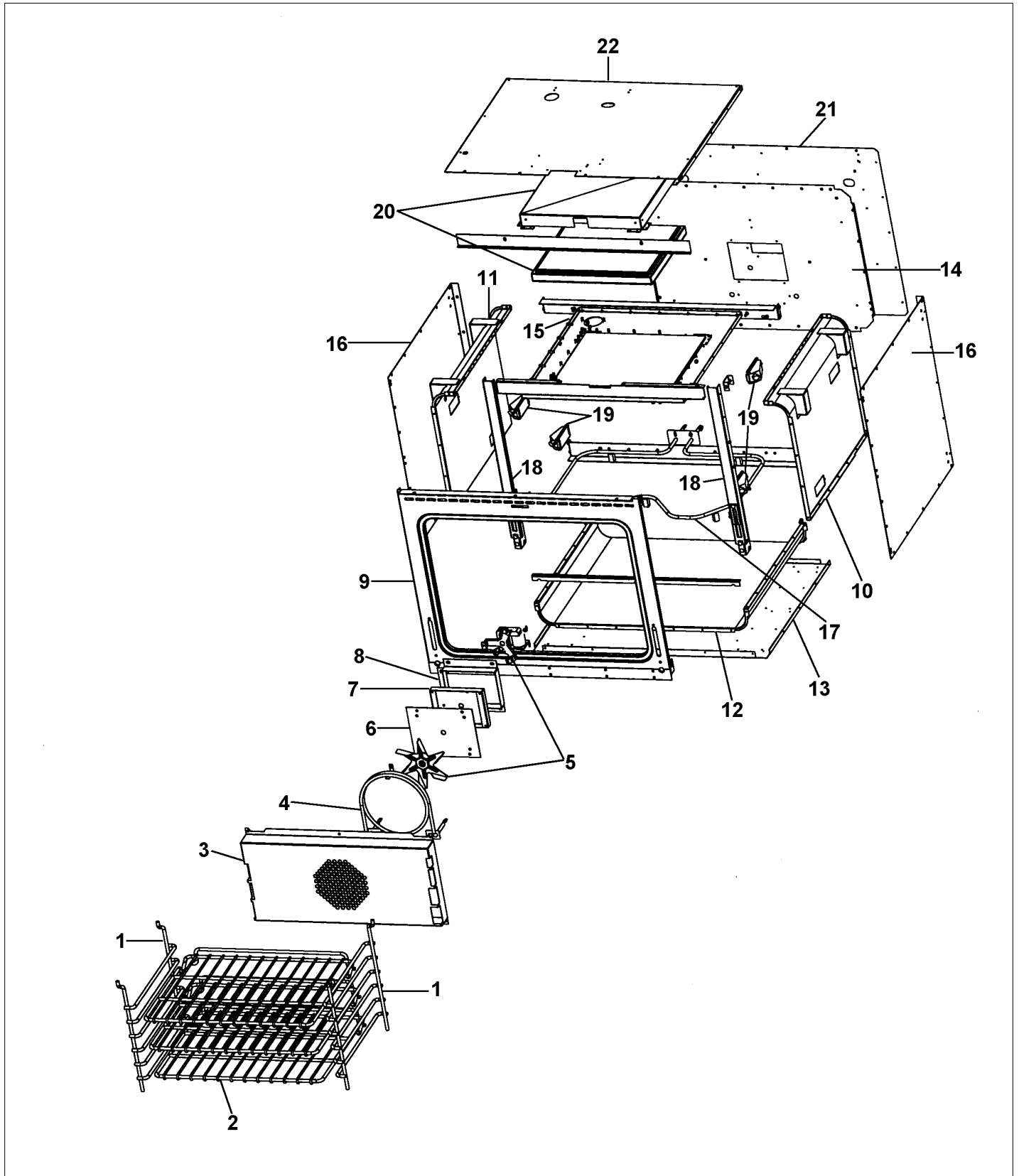




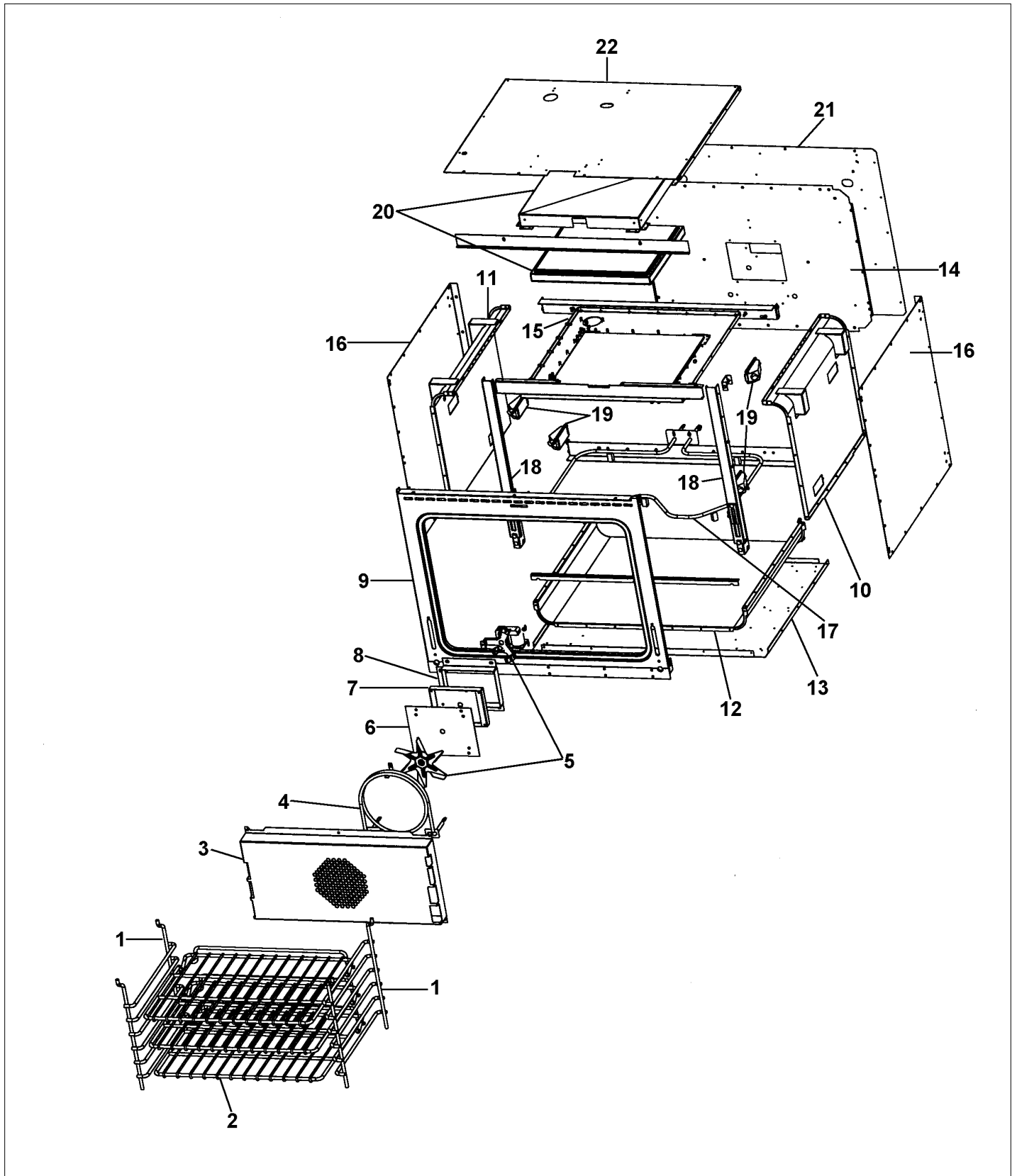


Item	Part No.	Name	Qty	Uom	NOTES
Not Shown	G3207284WH	DOOR ASSY *WH* (DEDO275/DESO175)	1	EA	NO LONGER AVAILABLE, Not available online / Call for pricing and availability
Not Shown	G3207284WHBR	DOOR ASSY *WH*BR*(DEDO275/DESO175)	1	EA	NO LONGER AVAILABLE, Not available online / Call for pricing and availability

UPPER OVEN



Item	Part No.	Name	Qty	Uom	NOTES
1	PB060030	RACK SUPT REPL PB060010	1	EA	
2	PB060048	OVEN RACK - 27"	1	EA	NO LONGER AVAILABLE
3	G9104316	CONVECTION FAN ASSY (VESO176/DO276)	1	EA	Not available online / Call for pricing and availability
4	PJ010003	CONVECTION ELEMENT (VDSC) 240V	1	EA	
5	PE050005	CONVECTION FAN ASSY	1	EA	
6	A1002596	CONVECTION FAN COVER (VDSC)	1	EA	
7	A2002595	CONVECTION FAN BOX (VDSC)	1	EA	
8	A2001746	SIDE FAN SHIELD	1	EA	Not available online / Call for pricing and availability
9	H9106146	27 INCH DESIGNER F.F. ASSEMBLY	1	EA	NO LONGER AVAILABLE, Not available online / Call for pricing and availability
10	NOT REPLACEABLE	OVEN SIDE ASSEMBLY - RH	1	EA	
11	NOT REPLACEABLE	OVEN SIDE ASSEMBLY - LH	1	EA	
12	NOT REPLACEABLE	OVEN BOTTOM ASSEMBLY	1	EA	
13	NOT REPLACEABLE	OVEN BOTTOM INSULATION RETAINER	1	EA	
14	E9107266	OVEN BACK 27" (DEDO275)	1	EA	NO LONGER AVAILABLE, Not available online / Call for pricing and availability
15	E9107265	OVEN TOP 27" (DEDO275)	1	EA	NO LONGER AVAILABLE, Not available online / Call for pricing and availability
16	A2002904	SIDE INSULATION RETAINER	1	EA	NO LONGER AVAILABLE, Not available online / Call for pricing and availability
17	PJ010012	BAKE ELEMENT (VESO176/VEDO276)240V	1	EA	
18	PC020016	HINGE RECEIVER (VEDO/VEDO)	1	EA	
19	PE050056	OVEN LIGHT ASSY 12V/5W	1	EA	





Item	Part No.	Name	Qty	Uom	NOTES
20	G3207273	CONCEALED BROIL ELEMENT ASSY (DEDO)	1	EA	
21	A1007272	BACK INSULATION RETAINER 27"	1	EA	NO LONGER AVAILABLE, Not available online / Call for pricing and availability
22	G3007462	27 TOP INSULATION RETAINER ASSY	1	EA	NO LONGER AVAILABLE, Not available online / Call for pricing and availability
NI	PJ030006	SWITCH (COOLING FAN)	1	EA	
NI	PM010014	SMOKE ELIMINATOR (VDSC)	1	EA	
NI	PE050115	MEAT PROBE JACK (SWITCHCRAFT'S PART# 3J1505)	1	EA	
<p>Comments for Part Num. PE050115</p> <p>bradleysapplianceservice@shaw.ca on May 8, 2017            Meat probe is not illustrated on Parts Break Down.            PE050114 MEAT PROBE</p>					
NI	PE050114	MEAT PROBE (DESO/DEDO) (SWITCHCRAFT'S PART # 4C7919)	1	EA	
NI	E9107933	BROILER PAN	1	EA	
NI	E9107934	BROILER PAN INSERT - NLA	1	EA	



Appendix A:Pages Index

CONTROL ASSEMBLY ..... 1  
FLOW CHART NEW BOARD BAKE ..... 2  
FLOW CHART NEW BOARD DOOR LOCK ..... 3  
FLOW CHART SELF CLEAN ..... 4  
FUNCTIONAL PARTS ..... 5  
LOWER DOOR ..... 6  
LOWER OVEN ..... 7  
REAR PANEL ..... 8  
UPPER CABINET - AFTER 03-08-04 ..... 9  
UPPER CABINET - BEFORE 03-08-04 ..... 10  
UPPER DOOR ..... 11  
UPPER OVEN ..... 12



Appendix B:Parts Index

000623-000	6, 11	A2009884	9
006072-000	6, 11	B1007913	6, 11
A10010553	9	B9207254	1
A1002596	7, 12	C9207254BK	1
A1006178	8	C9207254BT	1
A1006179	8	C9207254GG	1
A1006197	6, 11	C9207254SG	1
A1006198	6, 11	C9207254WH	1
A1007272	12	E9107265	7, 12
A1007282	7	E9107266	7, 12
A20010554	9	E9107933	7, 12
A20010564	9	E9107934	7, 12
A20010581	9	G3007287	1
A2001746	7, 12	G3007462	12
A2002595	7, 12	G3007464	7
A2002904	7, 12	G3207250BK	6
A2006007	6, 11	G3207250BKBR	6
A2006048	8, 9	G3207250BT	6
A2006100	1	G3207250BTBR	6
A2006101	1	G3207250GG	6
A2006180	8	G3207250GGBR	6
A2006181	8	G3207250SG	6
A2006182	8	G3207250SGBR	6
A2006183	9	G3207250SS	6
A2006199	8	G3207250SSBR	6
A2006321	8	G3207250WH	6
A2006322	8	G3207250WHBR	6
A2006323	8	G3207273	5, 7, 12
A2006324	8	G3207284BK	11
A2007212	10	G3207284BKBR	11
A2007255	1	G3207284BT	11
A2007276	9	G3207284BTBR	11
A2007281	9	G3207284GG	11
A2007698	10	G3207284GGBR	11
A2007699	9, 10	G3207284SG	11
A2007905	10	G3207284SGBR	11
A2007906	9	G3207284SS	11
A2007957	10	G3207284SSBR	11
A2008543	9	G3207284WH	11
A2008558	9	G3207284WHBR	11
		G4008423	1, 5





G50010119	6, 6, 11, 11	PB070092	6, 11
G5008295BK	11	PB070094	6, 11
G5008295BT	11	PC020016	7, 12
G5008295GG	11	PD020032	6, 11
G5008295SG	11	PD020060	9
G5008295SS	11	PD030062	9
G5008295WH	11	PE030165	6, 11
G5008296BK	6	PE030165PVD	6, 11
G5008296BT	6	PE050005	5, 7, 12
G5008296GG	6	PE050056	5, 7, 12
G5008296SG	6	PE050059	5, 7, 9, 10
G5008296SS	6	PE050073	1, 5
G5008296WH	6	PE050087	5, 7, 9, 10
G90012655BK	1	PE050088	1, 5
G9007613BT	1	PE050112	5, 7, 9, 10
G9007613GG	1	PE050114	5, 12
G9007613SG	1	PE050115	5, 12
G9007613WH	1	PE060056	6, 11
G9104316	7, 12	PE070147	5, 9, 10
H3006155	6, 11	PE070148	5, 10
H3006157	6, 11	PE070308	5, 10
H9106146	12	PE070319	10
H9107468	7	PE070320	10
H9107911	1	PE070468	5, 9, 10
Not Replaceable	10, 10	PE070786	9
PA010091PVD	1	PJ010003	5, 7, 12
PA010093	1	PJ010012	5, 7, 12
PA010093PVD	1	PJ030001	1, 5
PA010095	1	PJ030002	5, 9, 10
PA010095PVD	1	PJ030003	1
PA010110	1	PJ030006	5, 7, 9, 10, 12
PA010110PVD	1	PJ030010	1, 5
PA010194	1	PJ030012	1
PB010196	1	PM010014	5, 7, 12
PB010196PVD	1	PM010029	5, 10
PB010204	1	PM010129	5, 10
PB010204PVD	1	PS500033	1, 1, 5
PB010221	1		
PB010221PVD	1		
PB060030	7, 12		
PB060048	7, 12		