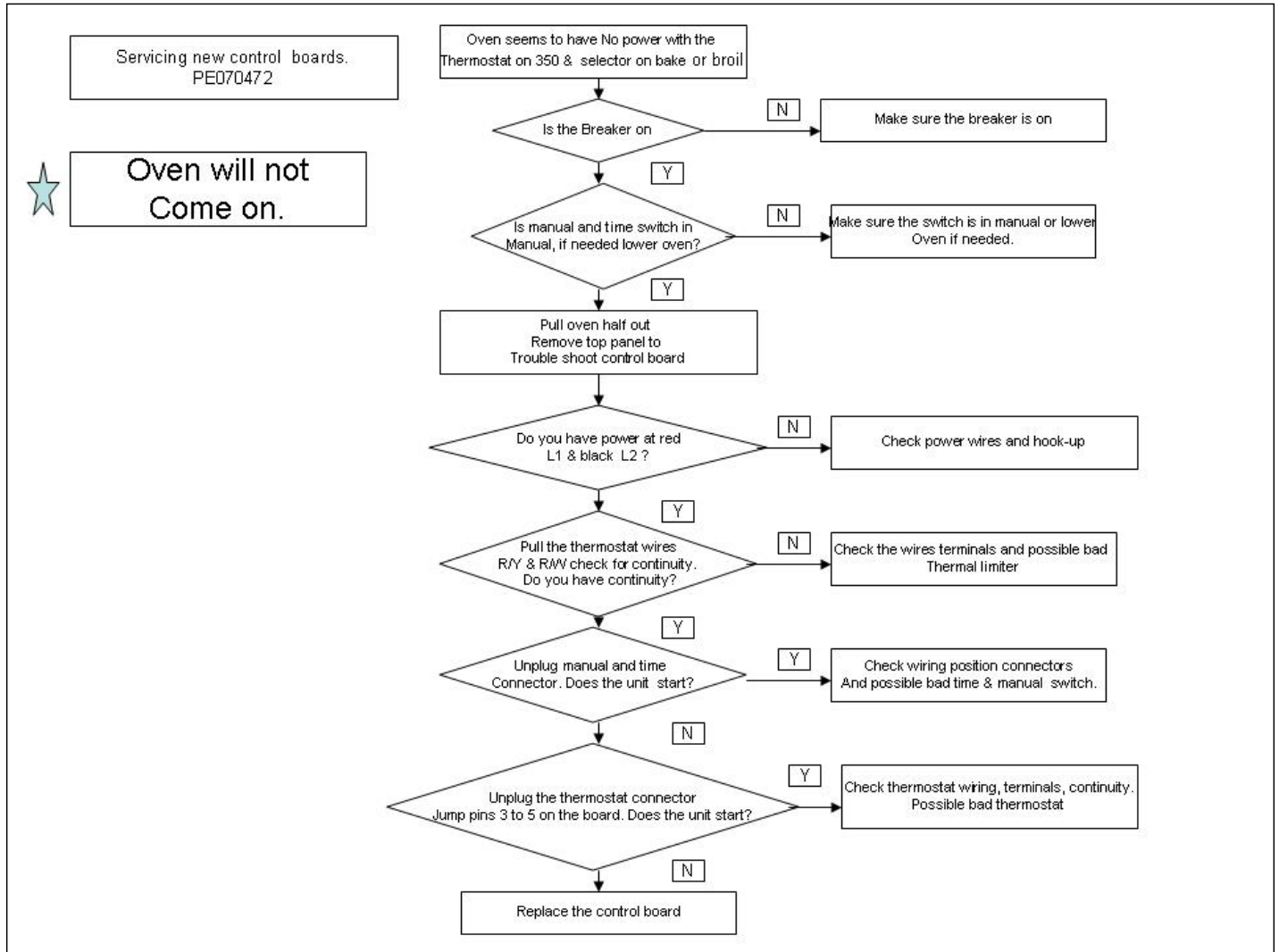


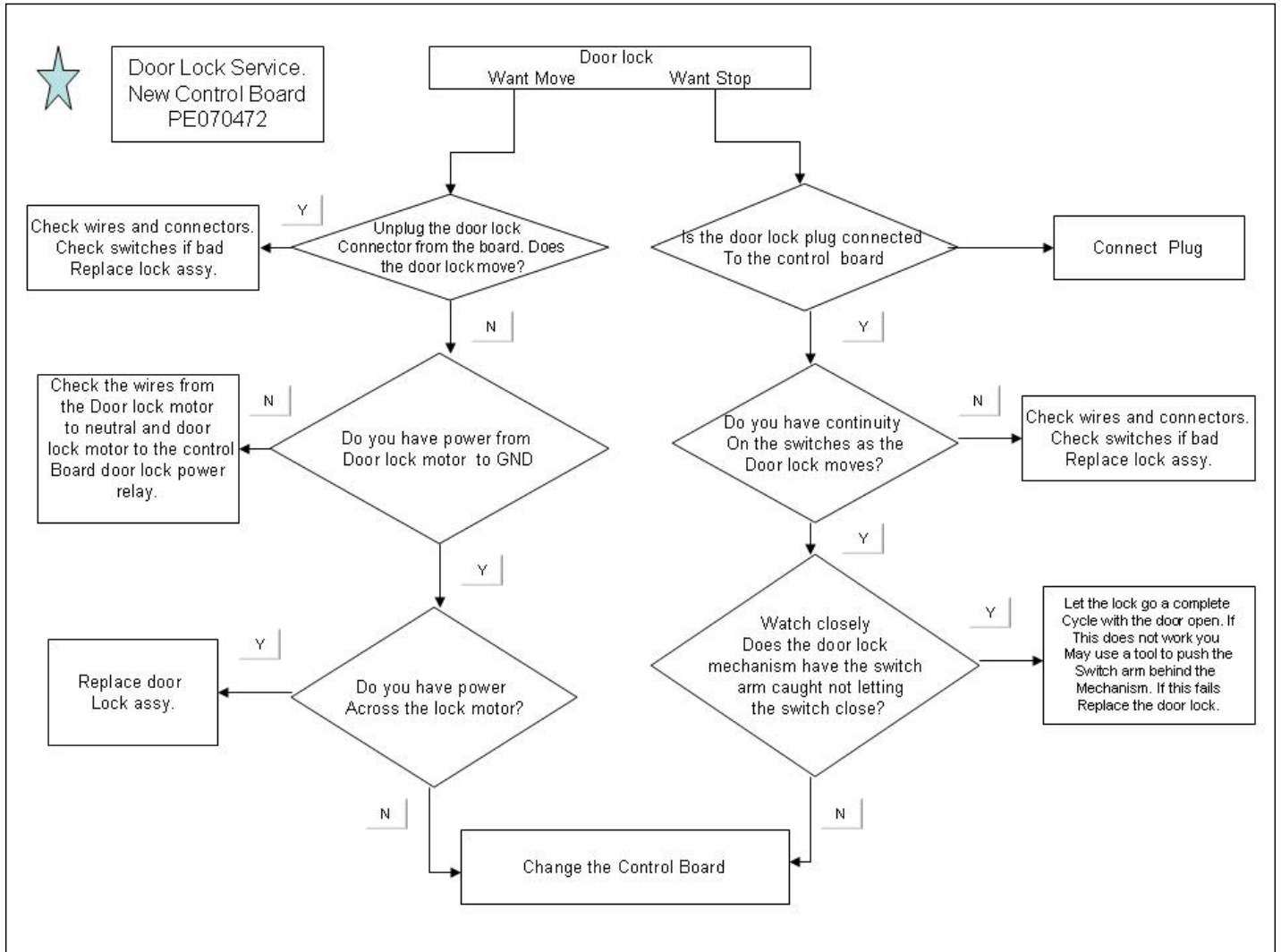
DEDO271

FLOW CHART NEW BOARD BAKE	1
FLOW CHART NEW BOARD DOOR LOCK	2
FLOW CHART SELF CLEAN	3
LOWER DOOR ASSY	4
LOWER OVEN ASSY	5
REAR ASSY	6
UPPER DOOR ASSY	7
UPPER OVEN ASSY	8
UPPER UNIT ASSY	9
Appendix A:Pages Index	A
Appendix B:Parts Index	B

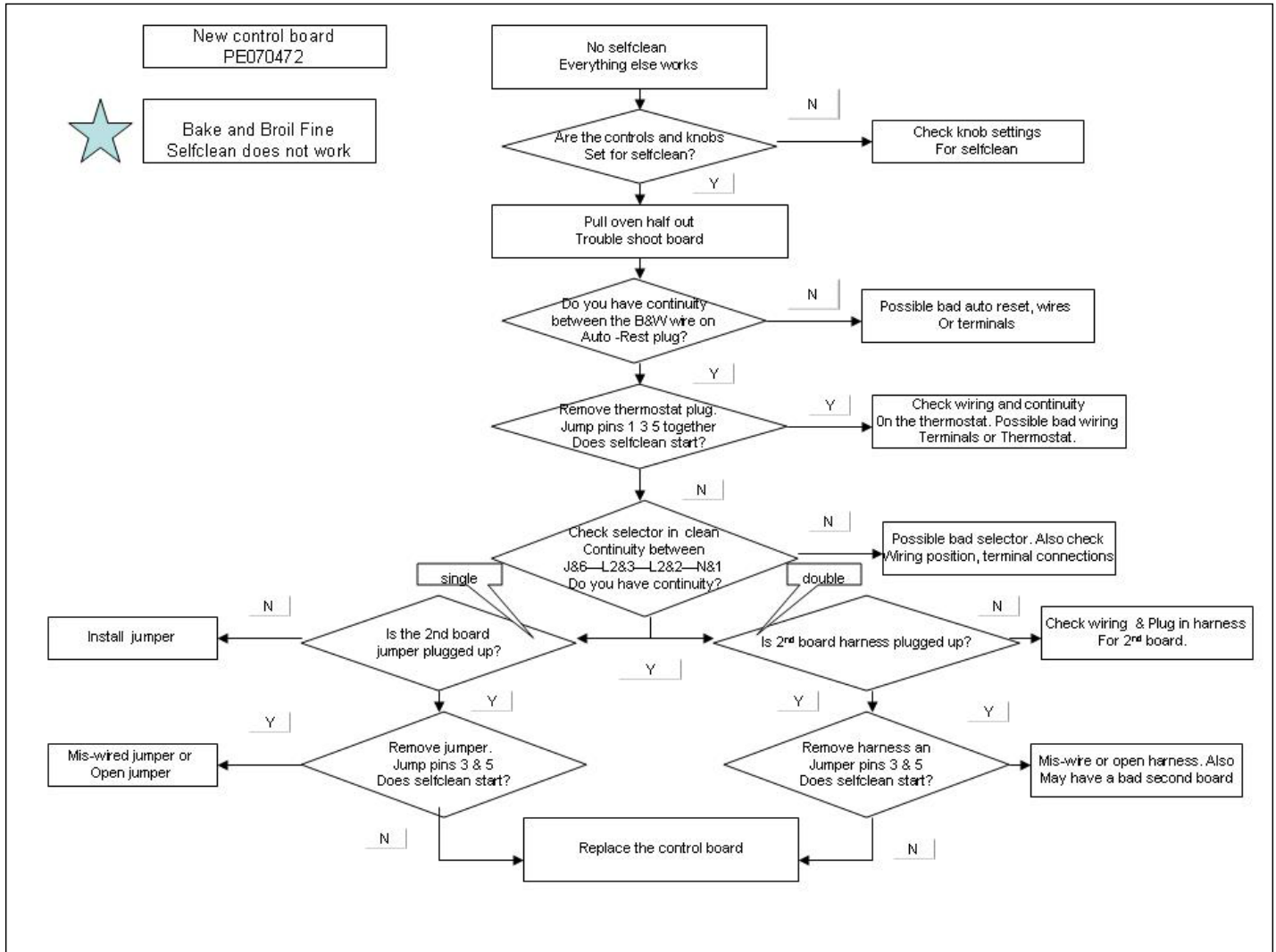
FLOW CHART NEW BOARD BAKE



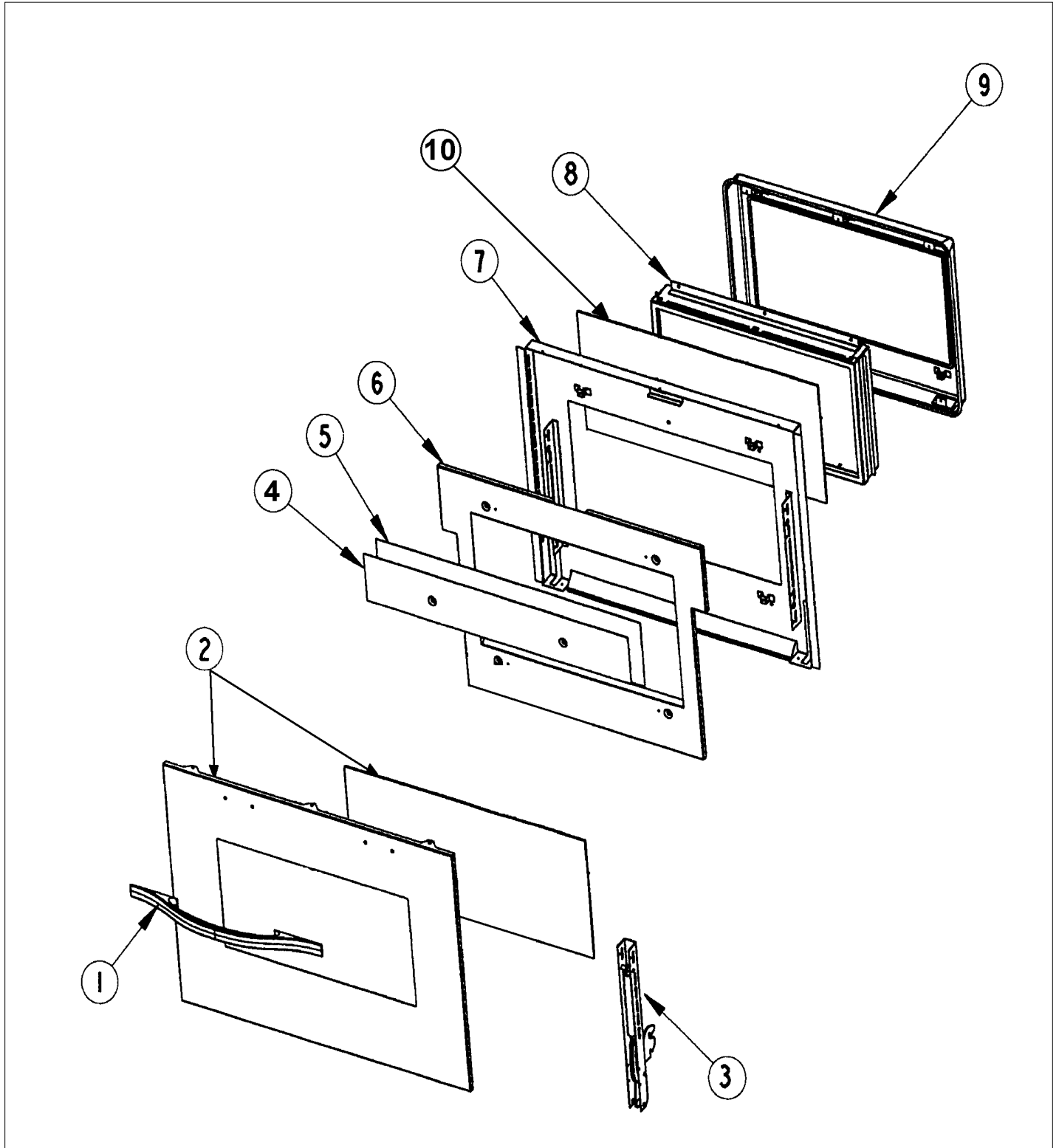
FLOW CHART NEW BOARD DOOR LOCK



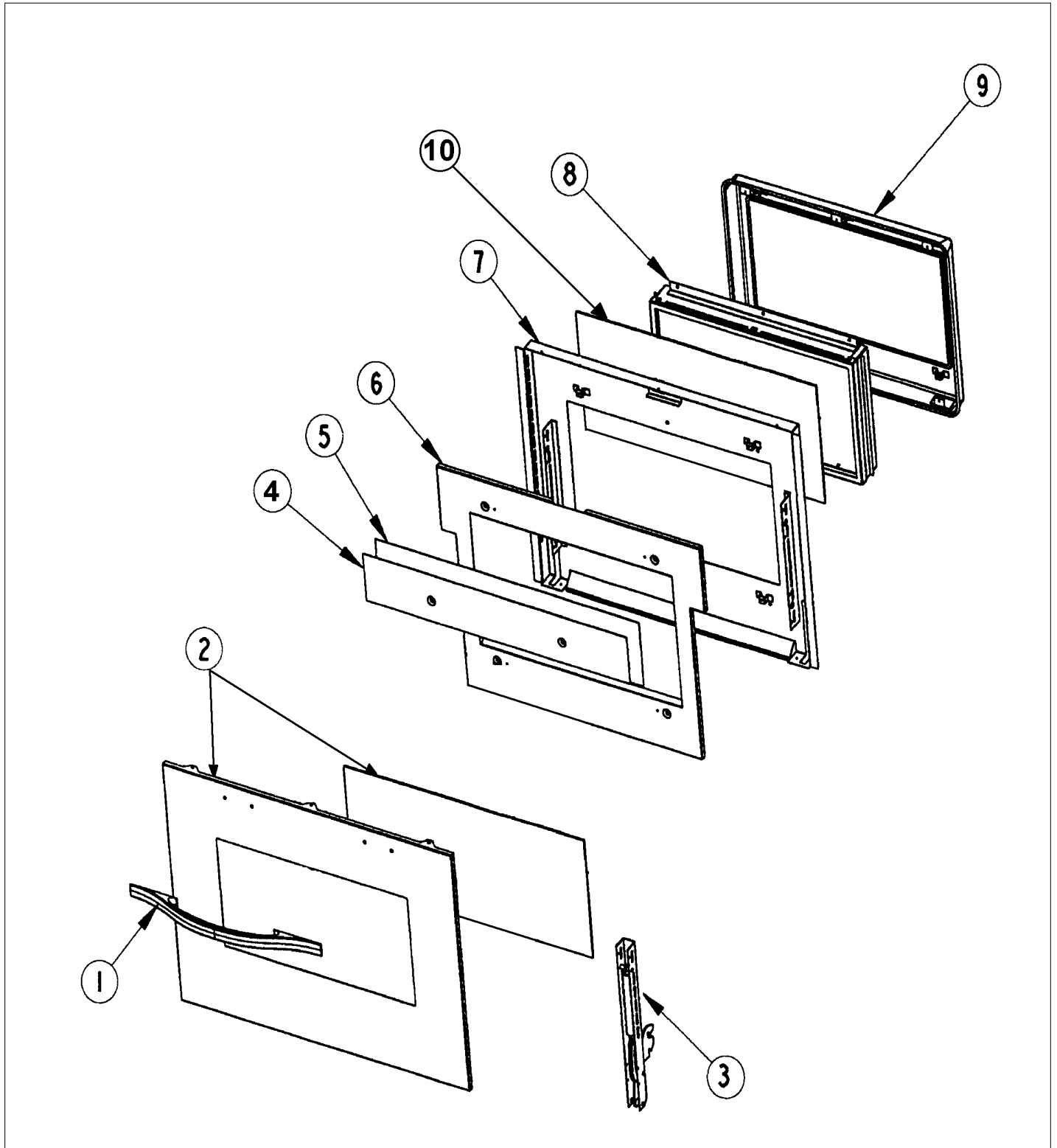
FLOW CHART SELF CLEAN



LOWER DOOR ASSY

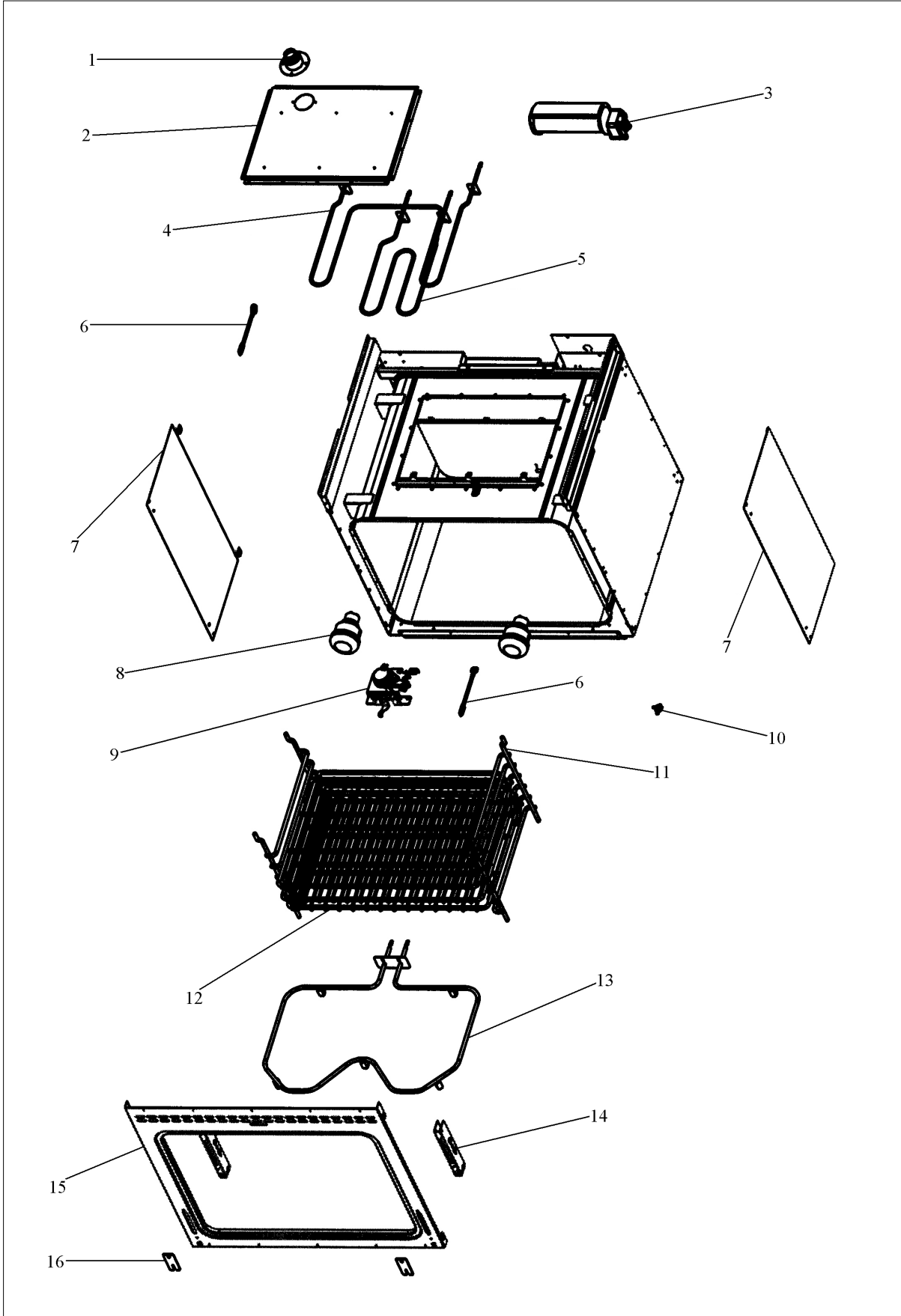


Item	Part No.	Name	Qty	Uom	NOTES
1	PE030165	27" DOOR HANDLE	1	EA	
Not Shown	PE030165PVD	27" DOOR HANDLE PVD	1	EA	NO LONGER AVAILABLE
2	G5008296BK	O/S DOOR SKIN ASSEMBLY (DESIGN)	1	EA	NO LONGER AVAILABLE, Not available online / Call for pricing and availability
Not Shown	G5008296BT	COMPLETE DOOR ASSY (DESIGN)	1	EA	NO LONGER AVAILABLE
Not Shown	G5008296GG	COMPLETE DOOR ASSY (DESIGN)	1	EA	
Not Shown	G5008296SG	COMPLETE DOOR ASSY (DESIGN)	1	EA	NO LONGER AVAILABLE
Not Shown	G5008296SS	COMPLETE DOOR ASSY (DESIGN)	1	EA	
Not Shown	G5008296WH	COMPLETE DOOR ASSY (DESIGN)	1	EA	NO LONGER AVAILABLE, Not available online / Call for pricing and availability
3	006072-000	HINGE, DOOR, ASM, MANSFIELD, DES, GREEN SPRING	1	EA	
Comments for Part Num. 006072-000 bradleysapplianceservice@shaw.ca on Sep 13, 2017 SUBS TO: 006072-000 OVEN DOOR HINGE - GREEN SPRING					
4	A1006198	OUTER DOOR HEAT SHEILD 27	1	EA	
5	A1006197	INNER DOOR HEAT SHEILD 27	1	EA	
6	E9106007	27 INCH DOOR INSULAION RETAINER	1	EA	NO LONGER AVAILABLE, Not available online / Call for pricing and availability
7	G50010119	DESO170/175/DEDO270/275 DR LINER SVC-KIT	1	EA	
8	G3206150	27 INCH DESIGNER GLASS PACK ASSY	1	EA	
NI	000623-000	DOOR GASKET(3/8"DIA.) (VDSC)	1	EA	
9	G50010119	DESO170/175/DEDO270/275 DR LINER SVC-KIT	1	EA	
10	PE060056	27" GLASS PACK GLASS H.T.	1	EA	



Item	Part No.	Name	Qty	Uom	NOTES
NI	PB070092	BOARD INSULATION 27"	1	EA	
NI	G3207967BK	COMPLETE DOOR ASSY - BK	1	EA	Not available online / Call for pricing and availability
Not Shown	G3207967BKBR	COMPLETE DOOR ASSY - BKBR	1	EA	Not available online / Call for pricing and availability
Not Shown	G3207967BT	LOWER DR ASSY *BT* (DEDO270)	1	EA	NO LONGER AVAILABLE, Not available online / Call for pricing and availability
Not Shown	G3207967BTBR	COMPLETE DOOR ASSY - BTBR	1	EA	Not available online / Call for pricing and availability
Not Shown	G3207967GG	COMPLETE DOOR ASSY - GG	1	EA	Not available online / Call for pricing and availability
Not Shown	G3207967GGBR	COMPLETE DOOR ASSY - GGBR	1	EA	Not available online / Call for pricing and availability
Not Shown	G3207967SG	LOWER DR ASSY *SG* (DEDO270)	1	EA	NO LONGER AVAILABLE, Not available online / Call for pricing and availability
Not Shown	G3207967SGBR	COMPLETE DOOR ASSY - SGBR	1	EA	Not available online / Call for pricing and availability
Not Shown	G3207967SS	LOWER DR ASSY *SS* (DEDO270)	1	EA	
Not Shown	G3207967SSBR	COMPLETE DOOR ASSY - SSBR	1	EA	Not available online / Call for pricing and availability
Not Shown	G3207967WH	LOWER DR ASSY *WH* (DEDO270)	1	EA	NO LONGER AVAILABLE
Not Shown	G3207967WHBR	COMPLETE DOOR ASSY - WHBR	1	EA	Not available online / Call for pricing and availability
NI	PD020032	SRW-8(A)X3/8"PH.WFR HD 7/16DIA*NICL	1	EA	
NI	B1007913	HINGE CLIP (DESIGNER TIME PIECE)	1	EA	

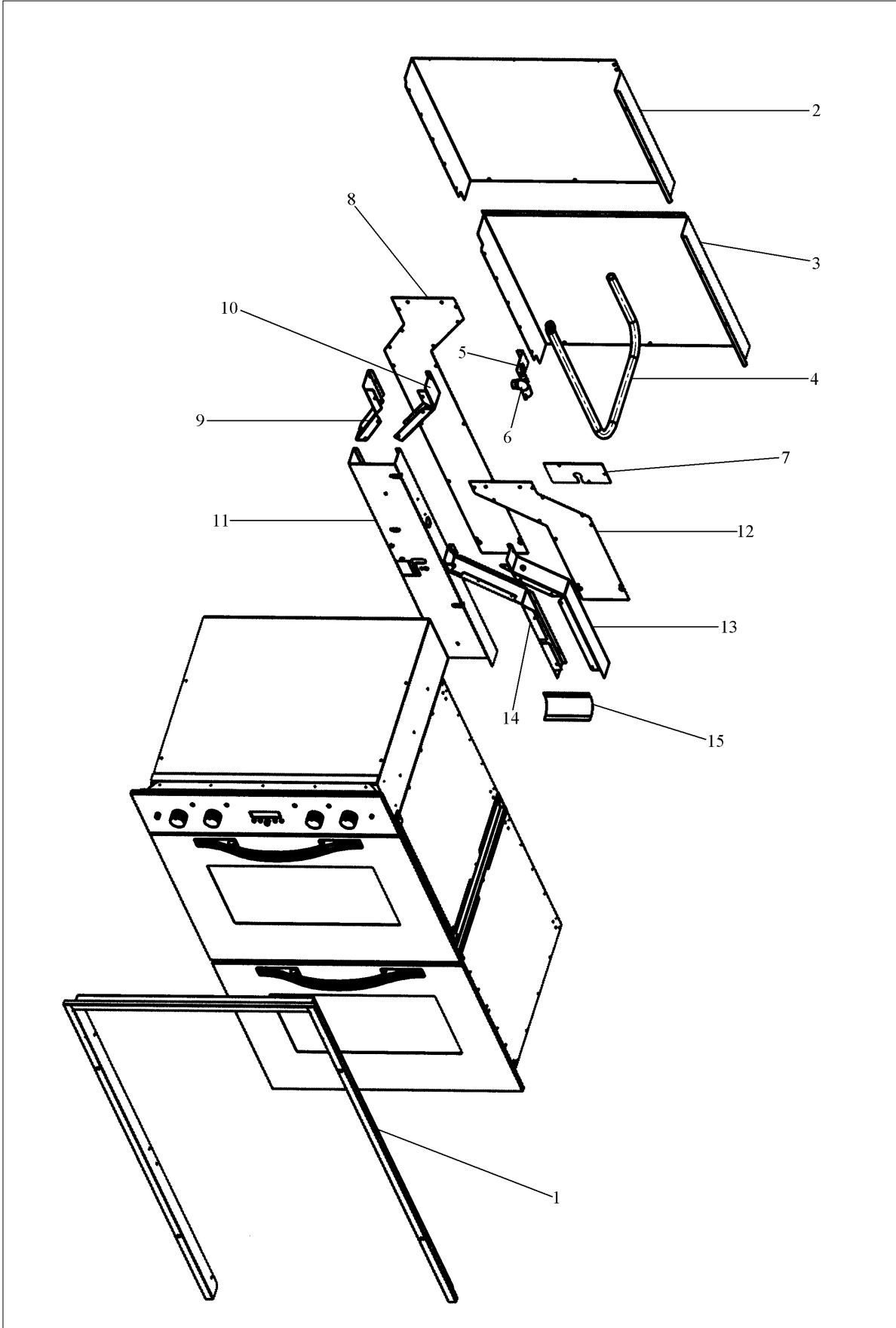
LOWER OVEN ASSY



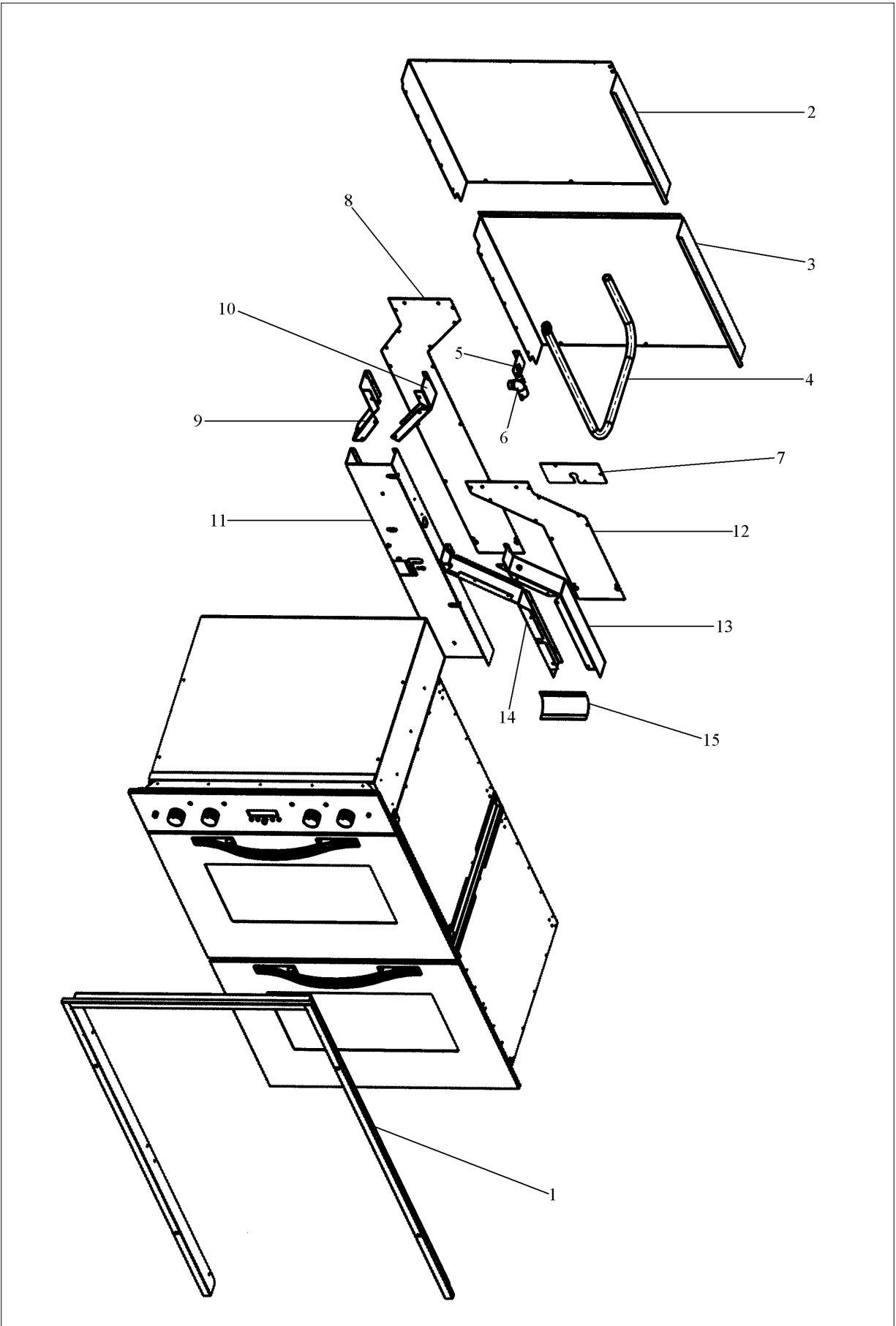


Item	Part No.	Name	Qty	Uom	NOTES
1	PM010014	SMOKE ELIMINATOR (VDSC)	1	EA	
2	B2004311	BROILER TOP (27") (VESO176/DO276)	1	EA	NO LONGER AVAILABLE
3	PE050087	BLOWER ASSEMBLY - DESIGNER SERIES	1	EA	
4	PJ010011	OUTSIDE BROIL ELEMENT (27" OVEN)240	1	EA	
5	PJ010001	BROIL ELEMENT 240V	1	EA	
6	PE050059	HI-LIMIT SWITCH	1	EA	
7	A2006193	HEAT SHIELD	1	EA	Not available online / Call for pricing and availability
8	031449-000	LAMP, ASM	1	EA	
9	PE050112	DOOR LATCH	1	EA	
10	PJ030006	SWITCH (COOLING FAN)	1	EA	
11	PB060030	RACK SUPT REPL PB060010	1	EA	
12	PB060048	OVEN RACK - 27"	1	EA	NO LONGER AVAILABLE
13	PJ010012	BAKE ELEMENT (VESO176/VEDO276)240V	1	EA	
14	PC020016	HINGE RECEIVER (VEDO/VEDO)	1	EA	
15	H9107468	27" LOWER FRONT FRAME ASSY	1	EA	NO LONGER AVAILABLE
16	B1007234	HINGE TRIM REPL B2102963 2 EA	1	EA	

REAR ASSY

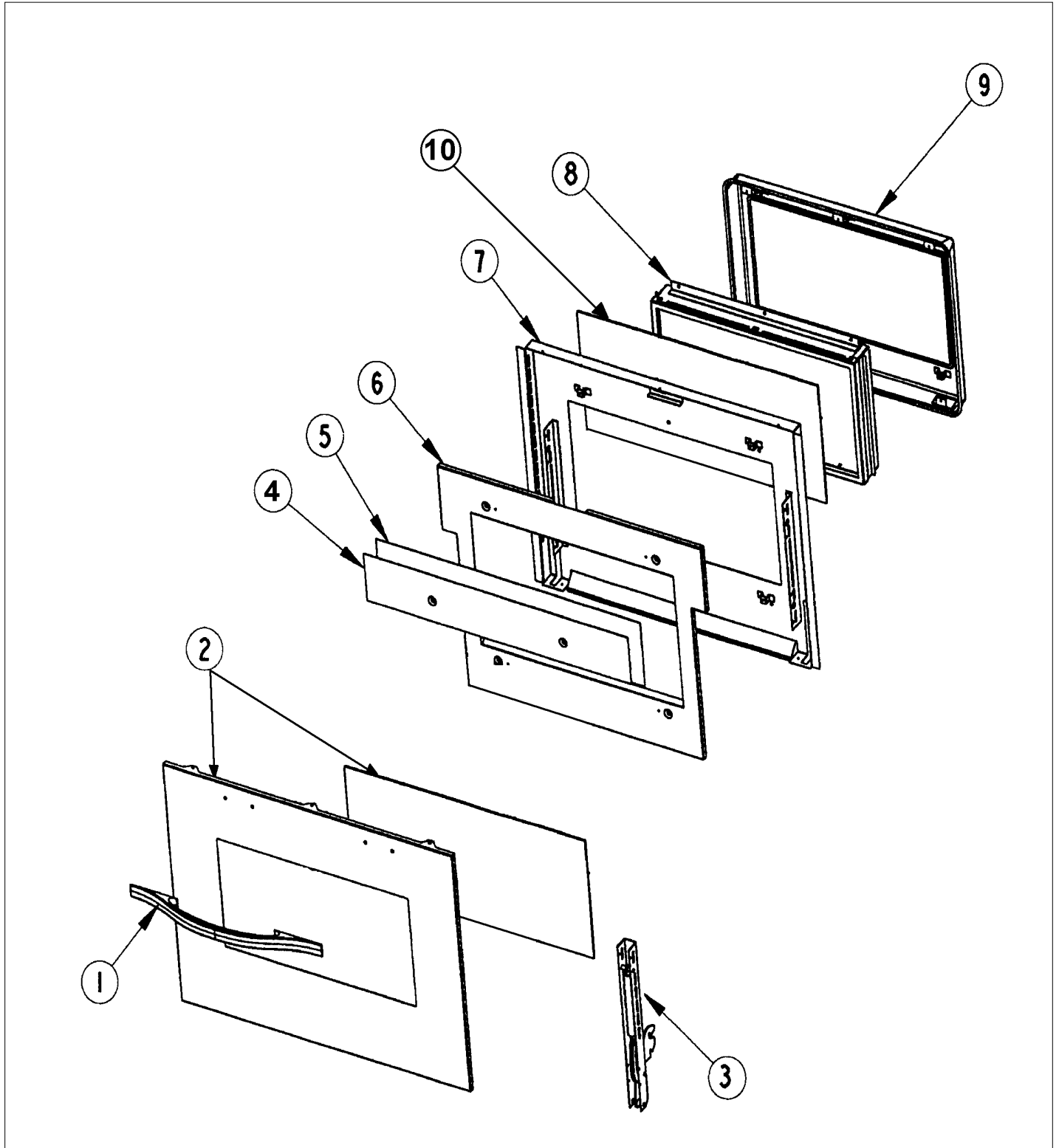


Item	Part No.	Name	Qty	Uom	NOTES
1	G3007287	DEDO270/275 TRIM ASSY	1	EA	
G900761 3BK	G90012655BK	DOUBLE SIDE TRIM ASSY 27" BK	1	EA	
Not Shown	G9007613BT	SUB TO G90012655BT - DEDO270/275 TRIM ASSY *BT*	1	EA	NO LONGER AVAILABLE, Not available online / Call for pricing and availability
Not Shown	G9007613GG	SUB TO G90012655GG - DEDO270/275 TRIM ASSY *GG*	1	EA	NO LONGER AVAILABLE, Not available online / Call for pricing and availability
Not Shown	G9007613SG	SUB TO G90012655SG - DEDO270/275 TRIM ASSY *SG*	1	EA	NO LONGER AVAILABLE, Not available online / Call for pricing and availability
Not Shown	G9007613WH	SUB TO G90012655WH - DEDO270/275 TRIM ASSY *WH*	1	EA	NO LONGER AVAILABLE, Not available online / Call for pricing and availability
2	A2007877	27" UPPER OUTER BACK	1	EA	NO LONGER AVAILABLE, Not available online / Call for pricing and availability
3	A2007878	27" LOWER OUTER BACK	1	EA	NO LONGER AVAILABLE, Not available online / Call for pricing and availability
4	PB020071	CONDUIT - FLEXIBLE (48")	1	EA	
5	A2005777	CONDUIT BRACKET	1	EA	NO LONGER AVAILABLE, Not available online / Call for pricing and availability
6	PB040070	CONDUIT FITTING (90 DEG)	1	EA	
7	A1006103	RH LOWER REAR COVER 30 (DEDO200)	1	EA	NO LONGER AVAILABLE, Not available online / Call for pricing and availability
8	A1006179	DOUBLE VENT COVER PLATE	1	EA	NO LONGER AVAILABLE, Not available online / Call for pricing and availability



Item	Part No.	Name	Qty	Uom	NOTES
9	A2006324	VENT SIDE LH	1	EA	NO LONGER AVAILABLE, Not available online / Call for pricing and availability
10	A2006323	VENT SIDE RH	1	EA	NO LONGER AVAILABLE, Not available online / Call for pricing and availability
11	A2006199	LOWER AIR VENT	1	EA	NO LONGER AVAILABLE, Not available online / Call for pricing and availability
12	A1006178	LOWER VENT COVER PLATE	1	EA	NO LONGER AVAILABLE, Not available online / Call for pricing and availability
13	A2006321	LOWER VENT SIDE RH	1	EA	NO LONGER AVAILABLE, Not available online / Call for pricing and availability
14	A2006322	LOWER VENT SIDE RH	1	EA	NO LONGER AVAILABLE, Not available online / Call for pricing and availability
15	A2006182	AIR SCOOP	1	EA	NO LONGER AVAILABLE

UPPER DOOR ASSY



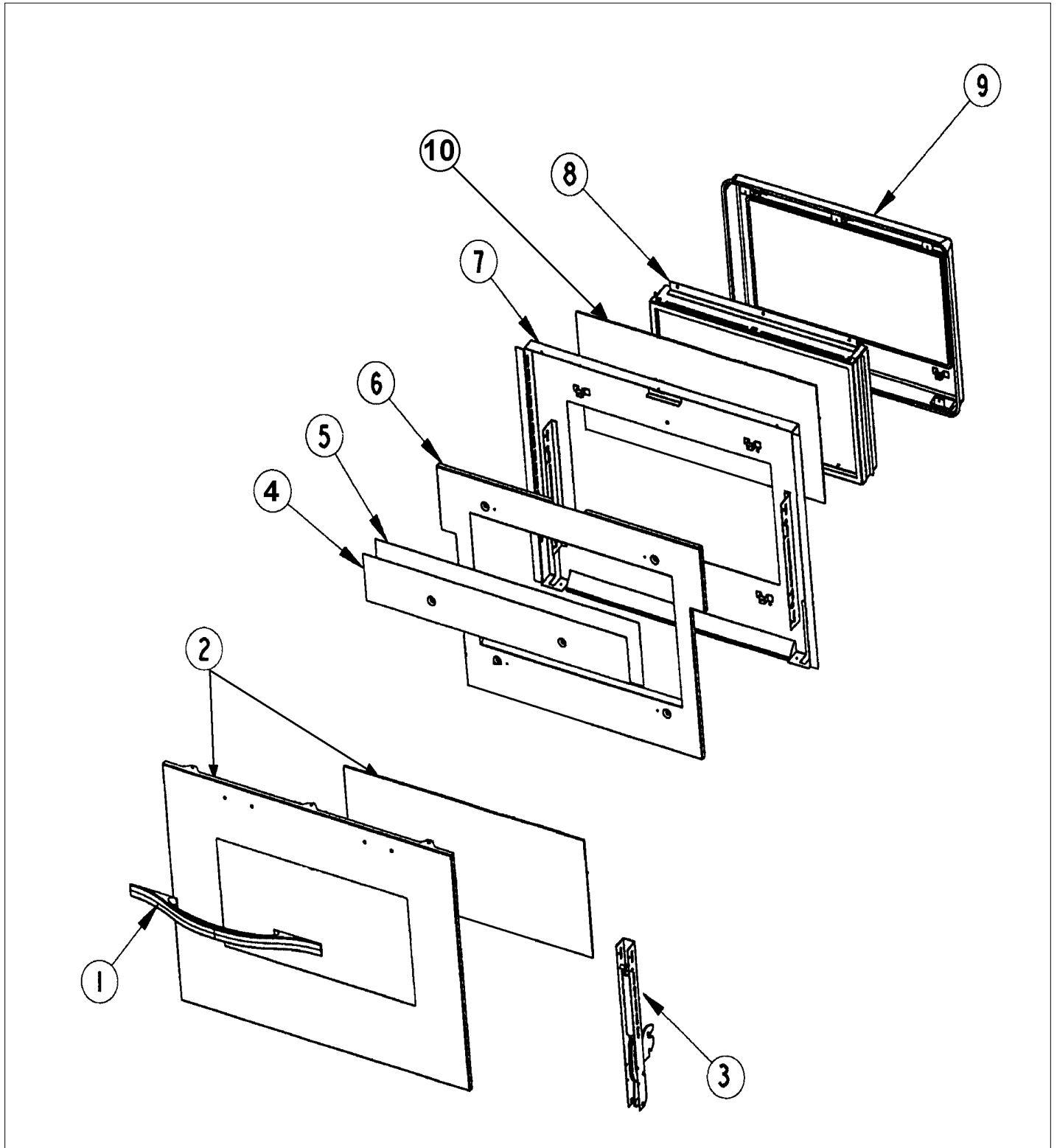
Item	Part No.	Name	Qty	Uom	NOTES
1	PE030165	27" DOOR HANDLE	1	EA	
Not Shown	PE030165PVD	27" DOOR HANDLE PVD	1	EA	NO LONGER AVAILABLE
2	G5008295BK	O/S DOOR SKIN ASSEMBLY (DESIGN)	1	EA	NO LONGER AVAILABLE
Not Shown	G5008295BT	O/S DOOR SKIN ASSEMBLY (DESIGN)	1	EA	NO LONGER AVAILABLE
Not Shown	G5008295GG	O/S DOOR SKIN ASSEMBLY (DESIGN)	1	EA	NO LONGER AVAILABLE
Not Shown	G5008295SG	O/S DOOR SKIN ASSEMBLY (DESIGN)	1	EA	NO LONGER AVAILABLE, Not available online / Call for pricing and availability
Not Shown	G5008295SS	O/S DOOR SKIN ASSEMBLY (DESIGN)	1	EA	
Not Shown	G5008295WH	O/S DOOR SKIN ASSEMBLY (DESIGN)	1	EA	NO LONGER AVAILABLE
3	006072-000	HINGE, DOOR, ASM, MANSFIELD, DES, GREEN SPRING	1	EA	

Comments for Part Num. 006072-000

bradleysapplianceservice@shaw.ca on Sep 13, 2017

SUBS TO: 006072-000 OVEN DOOR HINGE - GREEN SPRING

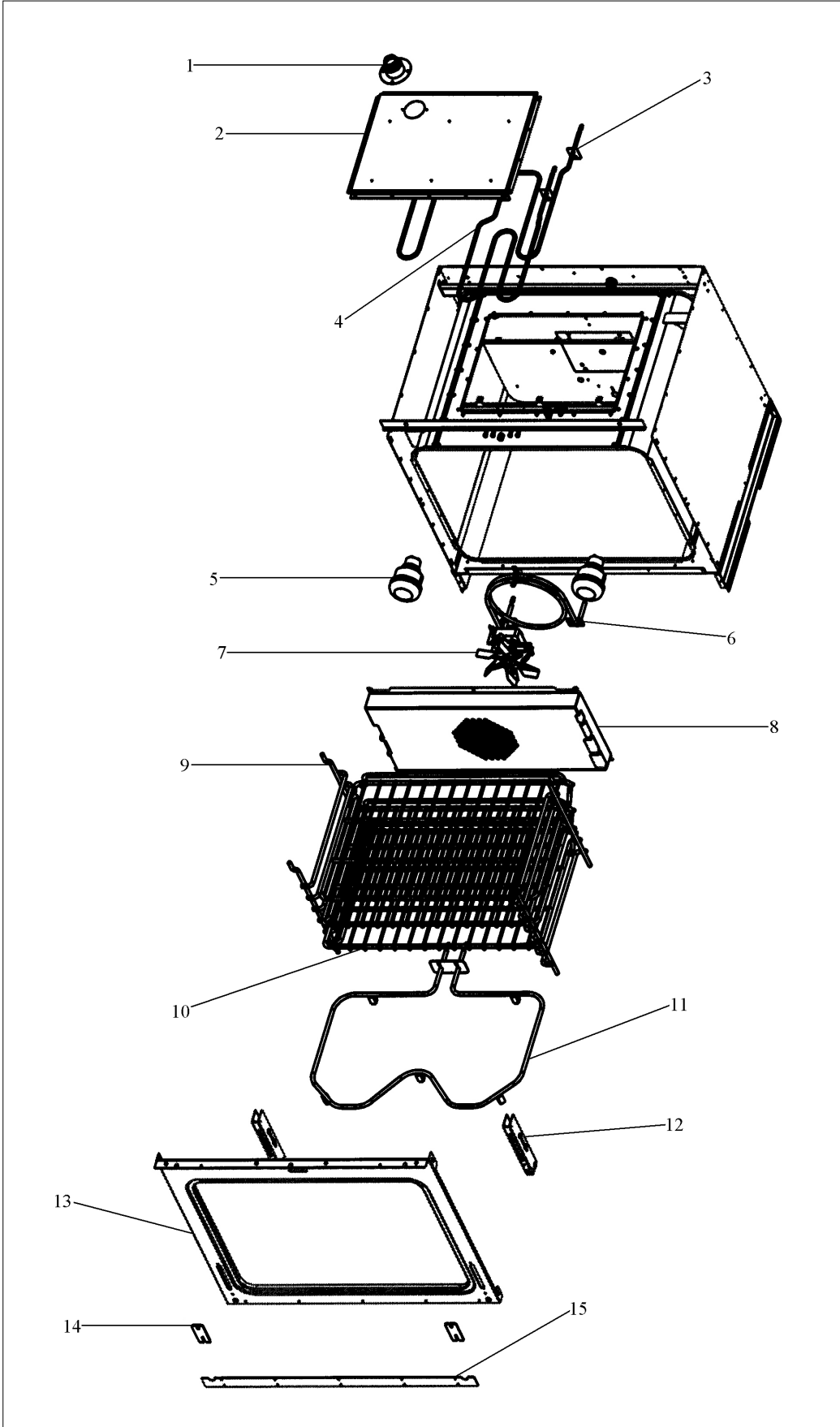
4	A1006198	OUTER DOOR HEAT SHEILD 27	1	EA	
5	A1006197	INNER DOOR HEAT SHEILD 27	1	EA	
6	E9106007	27 INCH DOOR INSULAION RETAINER	1	EA	NO LONGER AVAILABLE, Not available online / Call for pricing and availability
7	G50010119	DESO170/175/DEDO270/275 DR LINER SVC-KIT	1	EA	
8	G3206150	27 INCH DESIGNER GLASS PACK ASSY	1	EA	
9	G50010119	DESO170/175/DEDO270/275 DR LINER SVC-KIT	1	EA	
NI	000623-000	DOOR GASKET(3/8"DIA.) (VDSC)	1	EA	
10	PE060056	27" GLASS PACK GLASS H.T.	1	EA	
NI	PB070092	BOARD INSULATION 27"	1	EA	





Item	Part No.	Name	Qty	Uom	NOTES
NI	G3207968BK	DOOR ASSY *BK* (DEDO270/DESO170)	1	EA	NO LONGER AVAILABLE
Not Shown	G3207968BKBR	DOOR ASSY. - BKBR	1	EA	Not available online / Call for pricing and availability
Not Shown	G3207968BT	DOOR ASSY *BT* (DEDO270/DESO170)	1	EA	NO LONGER AVAILABLE
Not Shown	G3207968BTBR	DOOR ASSY. - BTBR	1	EA	Not available online / Call for pricing and availability
Not Shown	G3207968GG	DOOR ASSY *GG* (DEDO270/DESO170)	1	EA	NO LONGER AVAILABLE, Not available online / Call for pricing and availability
Not Shown	G3207968GGBR	DOOR ASSY. - GGBR	1	EA	Not available online / Call for pricing and availability
Not Shown	G3207968SG	DOOR ASSY *SG* (DEDO270/DESO170)	1	EA	
Not Shown	G3207968SGBR	DOOR ASSY *SG*BR* (DEDO270/DESO170)	1	EA	NO LONGER AVAILABLE, Not available online / Call for pricing and availability
Not Shown	G3207968SS	DOOR ASSY *SS* (DEDO270/DESO170)	1	EA	
Not Shown	G3207968SSBR	DOOR ASSY. - SSBR	1	EA	Not available online / Call for pricing and availability
Not Shown	G3207968WH	DOOR ASSY *WH* (DEDO270/DESO170)	1	EA	NO LONGER AVAILABLE
Not Shown	G3207968WHBR	DOOR ASSY. - WHBR	1	EA	Not available online / Call for pricing and availability
NI	PD020032	SRW-8(A)X3/8"PH.WFR HD 7/16DIA*NICL	1	EA	
NI	B1007913	HINGE CLIP (DESIGNER TIME PIECE)	1	EA	

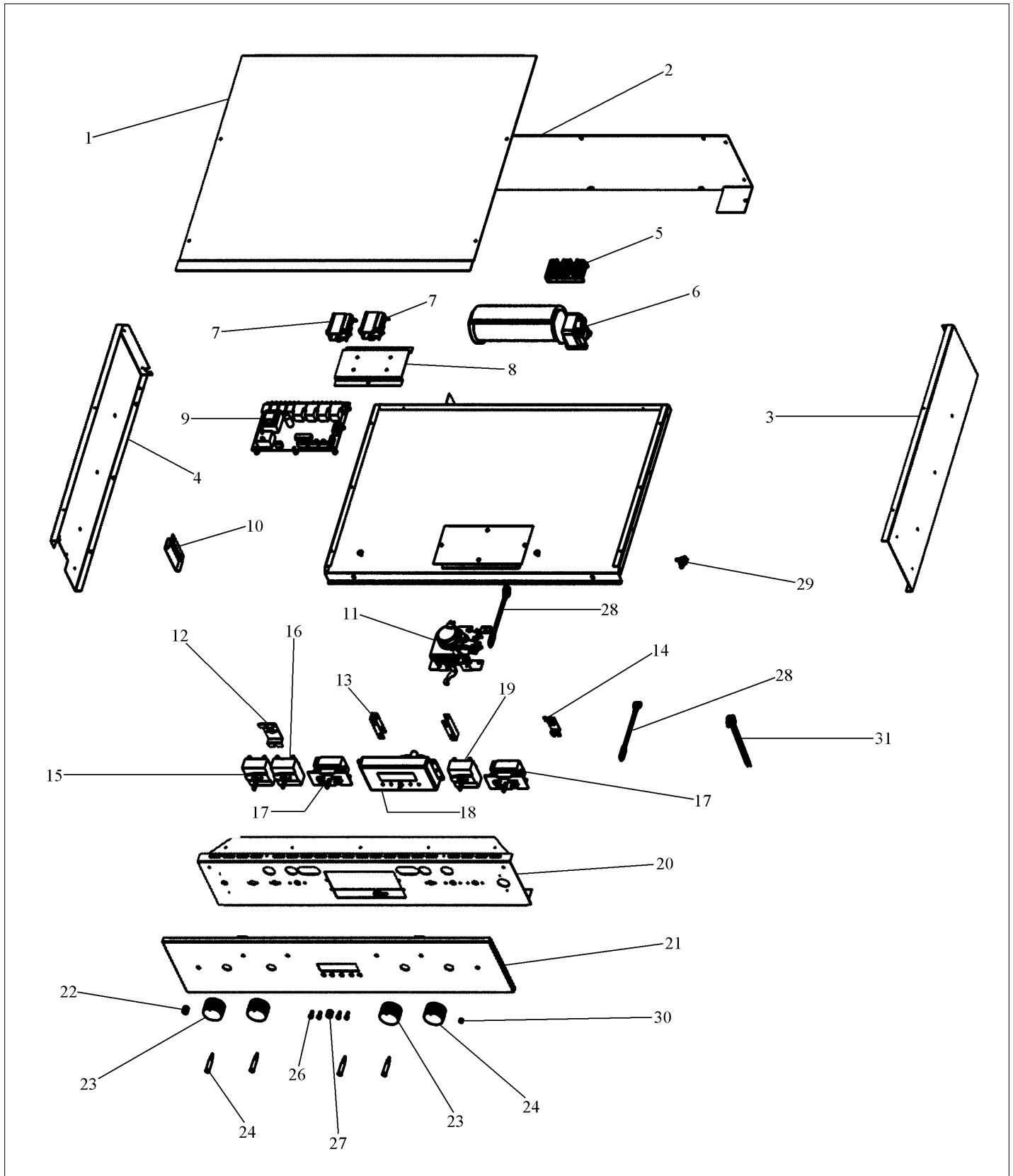
UPPER OVEN ASSY



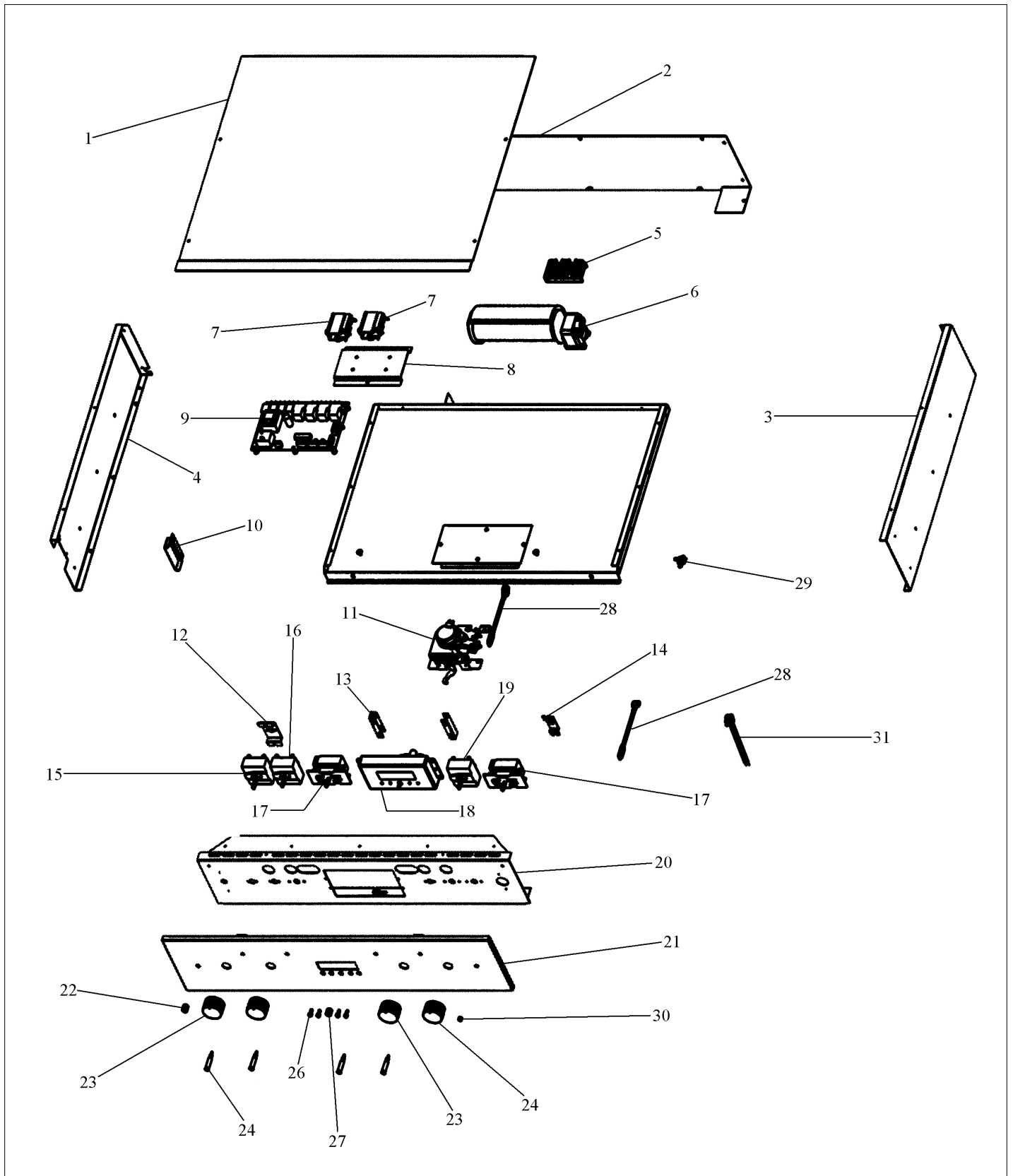


Item	Part No.	Name	Qty	Uom	NOTES
1	PM010014	SMOKE ELIMINATOR (VDSC)	1	EA	
2	B2004311	BROILER TOP (27") (VESO176/DO276)	1	EA	NO LONGER AVAILABLE
3	PJ010011	OUTSIDE BROIL ELEMENT (27" OVEN)240	1	EA	
4	PJ010001	BROIL ELEMENT 240V	1	EA	
5	031449-000	LAMP, ASM	1	EA	
6	PJ010003	CONVECTION ELEMENT (VDSC) 240V	1	EA	
7	PE050005	CONVECTION FAN ASSY	1	EA	
8	E9104309	CONVECTION FAN COVER	1	EA	NO LONGER AVAILABLE
9	PB060030	RACK SUPT REPL PB060010	1	EA	
10	PB060048	OVEN RACK - 27"	1	EA	NO LONGER AVAILABLE
11	PJ010012	BAKE ELEMENT (VESO176/VEDO276)240V	1	EA	
12	PC020016	HINGE RECEIVER (VEDO/VEDO)	1	EA	
13	H9106146	27 INCH DESIGNER F.F. ASSEMBLY	1	EA	NO LONGER AVAILABLE, Not available online / Call for pricing and availability
14	B1007234	HINGE TRIM REPL B2102963 2 EA	1	EA	
15	B2007916	CABINET TRIM 27""	1	EA	NO LONGER AVAILABLE, Not available online / Call for pricing and availability

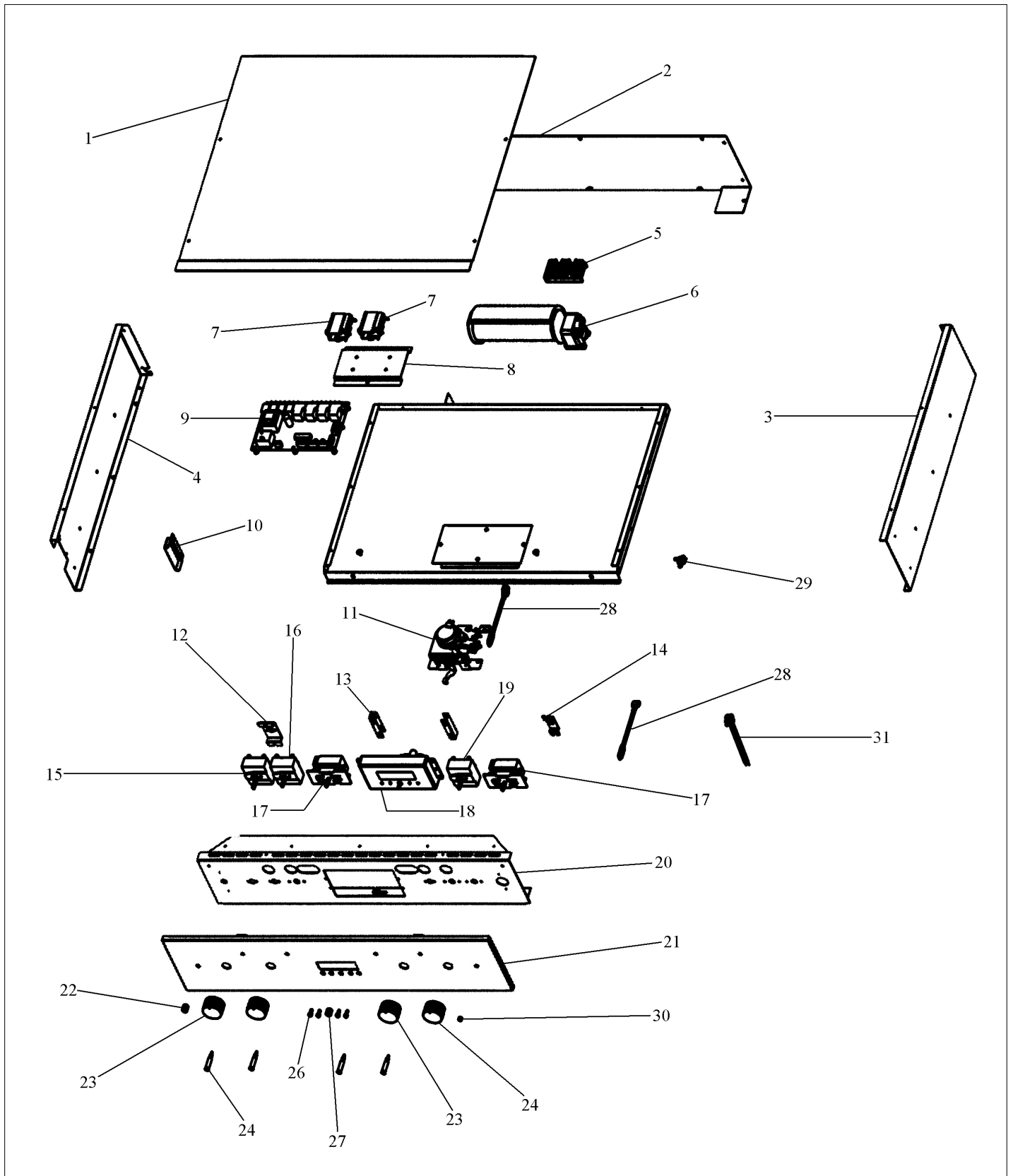
UPPER UNIT ASSY



Item	Part No.	Name	Qty	Uom	NOTES
1	A2007957	27" CABINET TOP	1	EA	NO LONGER AVAILABLE, Not available online / Call for pricing and availability
2	A2007905	27" TOP REAR COVER	1	EA	NO LONGER AVAILABLE, Not available online / Call for pricing and availability
3	A2007698	CABINET SIDE RH	1	EA	NO LONGER AVAILABLE, Not available online / Call for pricing and availability
4	A2007699	CABINET SIDE LH	1	EA	NO LONGER AVAILABLE, Not available online / Call for pricing and availability
5	PE070147	TERMINAL BLOCK (VDSC)	1	EA	
6	PE050087	BLOWER ASSEMBLY - DESIGNER SERIES	1	EA	
7	PJ030002	AUTO RESET (SELF-CLEAN) VDSC	1	EA	
8	A2009884	AUTO RESET BRACKET	1	EA	NO LONGER AVAILABLE, Not available online / Call for pricing and availability
9	PE070786	ELECTRONIC CONTROL BOARD	1	EA	
10	A2006109	SELECTOR SWITCH COVER	1	EA	NO LONGER AVAILABLE, Not available online / Call for pricing and availability
11	PE050112	DOOR LATCH	1	EA	
12	A2006100	THREE POSITION SELECTOR BRKT	1	EA	
13	A20010135	CLOCK MOUNTING BRACKET	1	EA	NO LONGER AVAILABLE
14	A2006101	OVEN LIGHT SWITCH BRACKET	1	EA	
15	PJ030010	SELECTOR SWITCH (3-POSITION)VEDO205	1	EA	
16	PJ030001	SELECTOR SWITCH (8-POSITION) VDSC	1	EA	



Item	Part No.	Name	Qty	Uom	NOTES
17	PS500033	SUB TO PS500033 - SELF CLEAN THERMOSTAT	1	EA	
18	PE050213	PRO 120V DIGITAL CLOCK	1	EA	
19	PJ030025	5 POS SELECTOR SWITCH	1	EA	
20	H91010133	CONTROL MOUNTING PANEL ASSY 27"	1	EA	NO LONGER AVAILABLE
21	B92010128	CONTROL PANEL 27	1	EA	
Not Shown	C92010128BK	CTRL PANEL 27 *BK* SLK. SC.	1	EA	NO LONGER AVAILABLE, Not available online / Call for pricing and availability
Not Shown	C92010128WH	CTRL PANEL 27 *WH* SLK. SC.	1	EA	NO LONGER AVAILABLE, Not available online / Call for pricing and availability
22	PA010110	DESIGNER OVEN SELECTOR KNOB REPL PA010092	1	EA	
Not Shown	PA010110PVD	DESIGNER OVEN SELECTOR KNOB-BRASS	1	EA	NO LONGER AVAILABLE
23	PA010194	DES. SELECTOR/THERMOSTAT KNOB	1	EA	
Not Shown	PA010091PVD	DESIGNER SELECTOR KNOB - BR	1	EA	
Not Shown	PA010095	DESIGNER SELECTOR KNOB - GRAY	1	EA	
Not Shown	PA010095PVD	DESIGNER SELECTOR KNOB-BR/GRAY	1	EA	
24	PB010196	DESIGNER THERMOSTAT KNOB	1	EA	
Not Shown	PB010196PVD	DESIGNER THERMOSTAT KNOB W/BRASS	1	EA	
Not Shown	PB010204	DESIGNER THERMOSTAT KNOB - GRAY	1	EA	
Not Shown	PB010204PVD	DESIGNER THERMOSTAT KNOB -BR/GRAY	1	EA	
25	PE050073	DESIGNER INDICATOR LT	1	EA	
26	PB010269	CLOCK BUTTON	1	EA	NO LONGER AVAILABLE
27	PB010222	DESIGNER BIT GENERATOR KNOB	1	EA	
Not Shown	PB010222PVD	DESIGNER BIT GENERATOR KNOB-BRASS	1	EA	NO LONGER AVAILABLE





Item	Part No.	Name	Qty	Uom	NOTES
28	PE050059	HI-LIMIT SWITCH	1	EA	
29	PJ030006	SWITCH (COOLING FAN)	1	EA	
30	PA010093	DESIGNER OVEN LT SWITCH KNOB	1	EA	
Not Shown	PA010093PVD	DESIGNER OVEN LT SWITCH KNOB-BRASS	1	EA	
31	G4008423	DESIGNER OVEN LIGHT SWITCH ASSY	1	EA	



Appendix A:Pages Index

FLOW CHART NEW BOARD BAKE 1
FLOW CHART NEW BOARD DOOR LOCK 2
FLOW CHART SELF CLEAN 3
LOWER DOOR ASSY 4
LOWER OVEN ASSY 5
REAR ASSY 6
UPPER DOOR ASSY 7
UPPER OVEN ASSY 8
UPPER UNIT ASSY 9



Appendix B:Parts Index

000623-000	4, 7	G3207967BT	4
006072-000	4, 7	G3207967BTBR	4
031449-000	5, 8	G3207967GG	4
A1006103	6	G3207967GGBR	4
A1006178	6	G3207967SG	4
A1006179	6	G3207967SGBR	4
A1006197	4, 7	G3207967SS	4
A1006198	4, 7	G3207967SSBR	4
A20010135	9	G3207967WH	4
A2005777	6	G3207967WHBR	4
A2006100	9	G3207968BK	7
A2006101	9	G3207968BKBR	7
A2006109	9	G3207968BT	7
A2006182	6	G3207968BTBR	7
A2006193	5	G3207968GG	7
A2006199	6	G3207968GGBR	7
A2006321	6	G3207968SG	7
A2006322	6	G3207968SGBR	7
A2006323	6	G3207968SS	7
A2006324	6	G3207968SSBR	7
A2007698	9	G3207968WH	7
A2007699	9	G3207968WHBR	7
A2007877	6	G4008423	9
A2007878	6	G50010119	4, 4, 7, 7
A2007905	9	G5008295BK	7
A2007957	9	G5008295BT	7
A2009884	9	G5008295GG	7
B1007234	5, 8	G5008295SG	7
B1007913	4, 7	G5008295SS	7
B2004311	5, 8	G5008295WH	7
B2007916	8	G5008296BK	4
B92010128	9	G5008296BT	4
C92010128BK	9	G5008296GG	4
C92010128WH	9	G5008296SG	4
E9104309	8	G5008296SS	4
E9106007	4, 7	G5008296WH	4
G3007287	6	G90012655BK	6
G3206150	4, 7	G9007613BT	6
G3207967BK	4	G9007613GG	6
G3207967BKBR	4	G9007613SG	6
		G9007613WH	6



H91010133	9	PJ030002	9
H9106146	8	PJ030006	5, 9
H9107468	5	PJ030010	9
PA010091PVD	9	PJ030025	9
PA010093	9	PM010014	5, 8
PA010093PVD	9	PS500033	9
PA010095	9		
PA010095PVD	9		
PA010110	9		
PA010110PVD	9		
PA010194	9		
PB010196	9		
PB010196PVD	9		
PB010204	9		
PB010204PVD	9		
PB010222	9		
PB010222PVD	9		
PB010269	9		
PB020071	6		
PB040070	6		
PB060030	5, 8		
PB060048	5, 8		
PB070092	4, 7		
PC020016	5, 8		
PD020032	4, 7		
PE030165	4, 7		
PE030165PVD	4, 7		
PE050005	8		
PE050059	5, 9		
PE050073	9		
PE050087	5, 9		
PE050112	5, 9		
PE050213	9		
PE060056	4, 7		
PE070147	9		
PE070786	9		
PJ010001	5, 8		
PJ010003	8		
PJ010011	5, 8		
PJ010012	5, 8		
PJ030001	9		