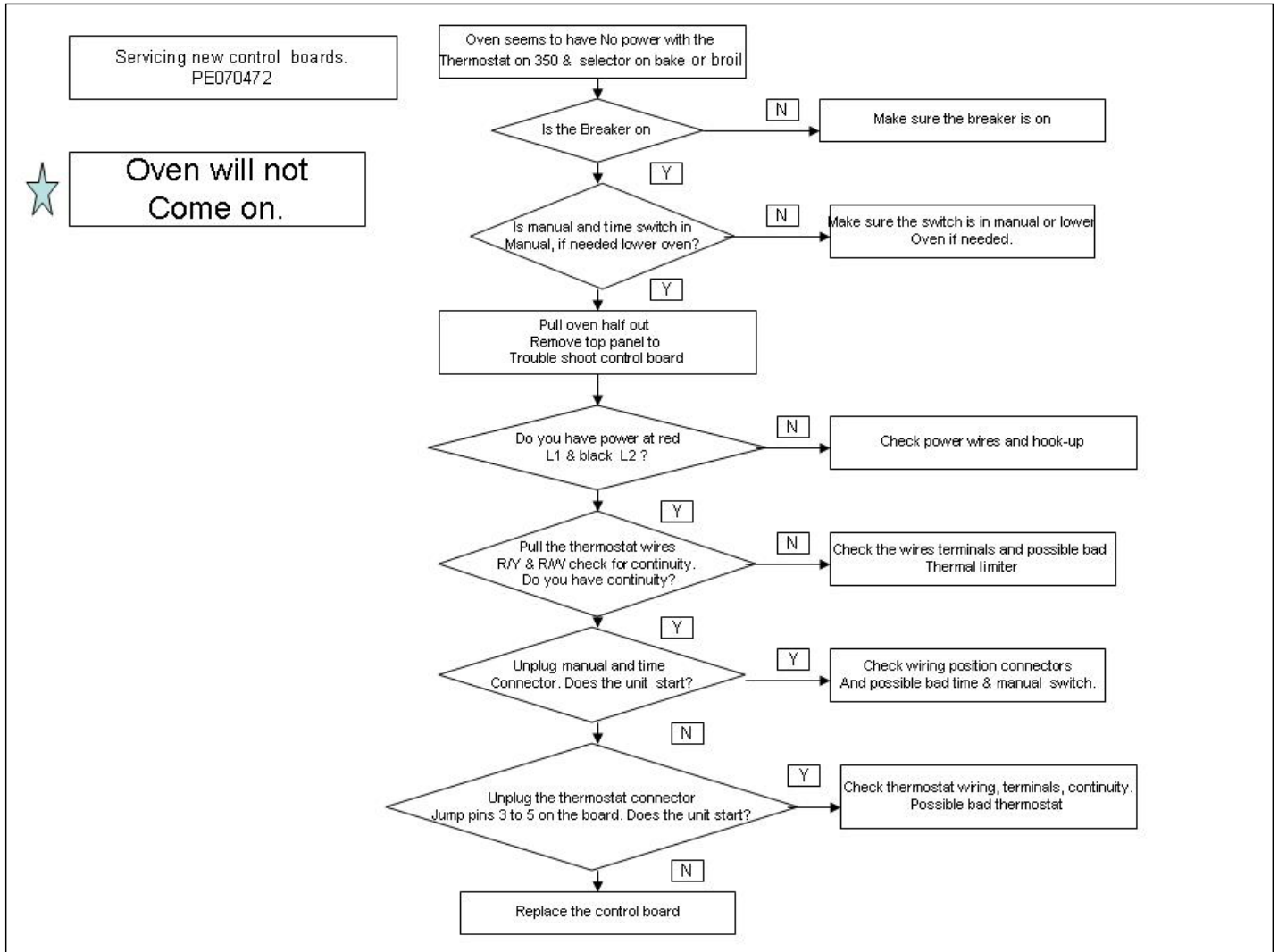


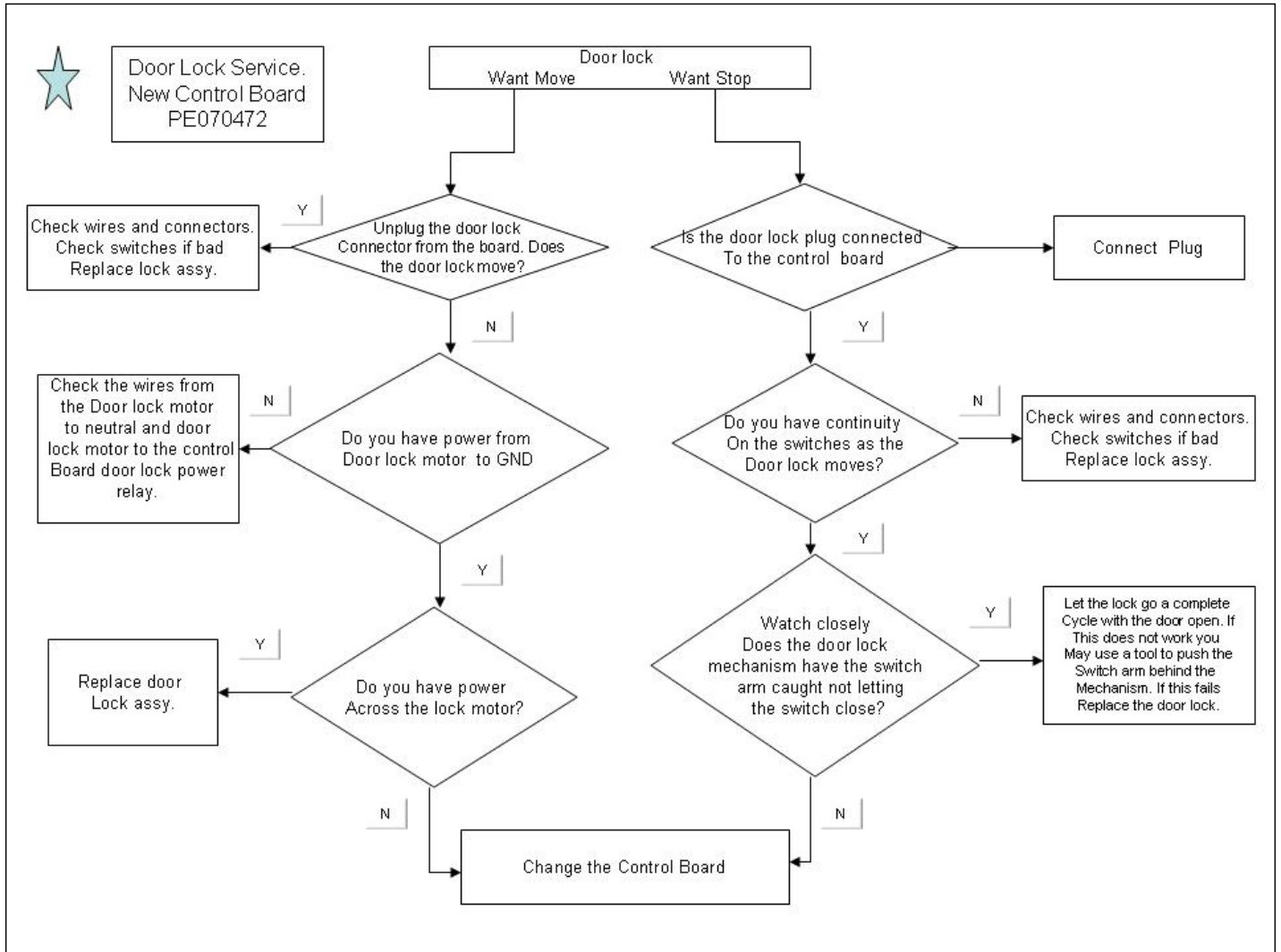
DEDO201

FLOW CHART NEW BOARD BAKE	1
FLOW CHART NEW BOARD DOOR LOCK	2
FLOW CHART SELF CLEAN	3
LOWER DOOR ASSY	4
LOWER OVEN ASSY	5
REAR ASSY	6
TOP ASSY (10-24-04 TO 12-1-04)	7
UPPER DOOR ASSY	8
UPPER OVEN ASSY	9
UPPER UNIT ASSY	10
Appendix A:Pages Index	A
Appendix B:Parts Index	B

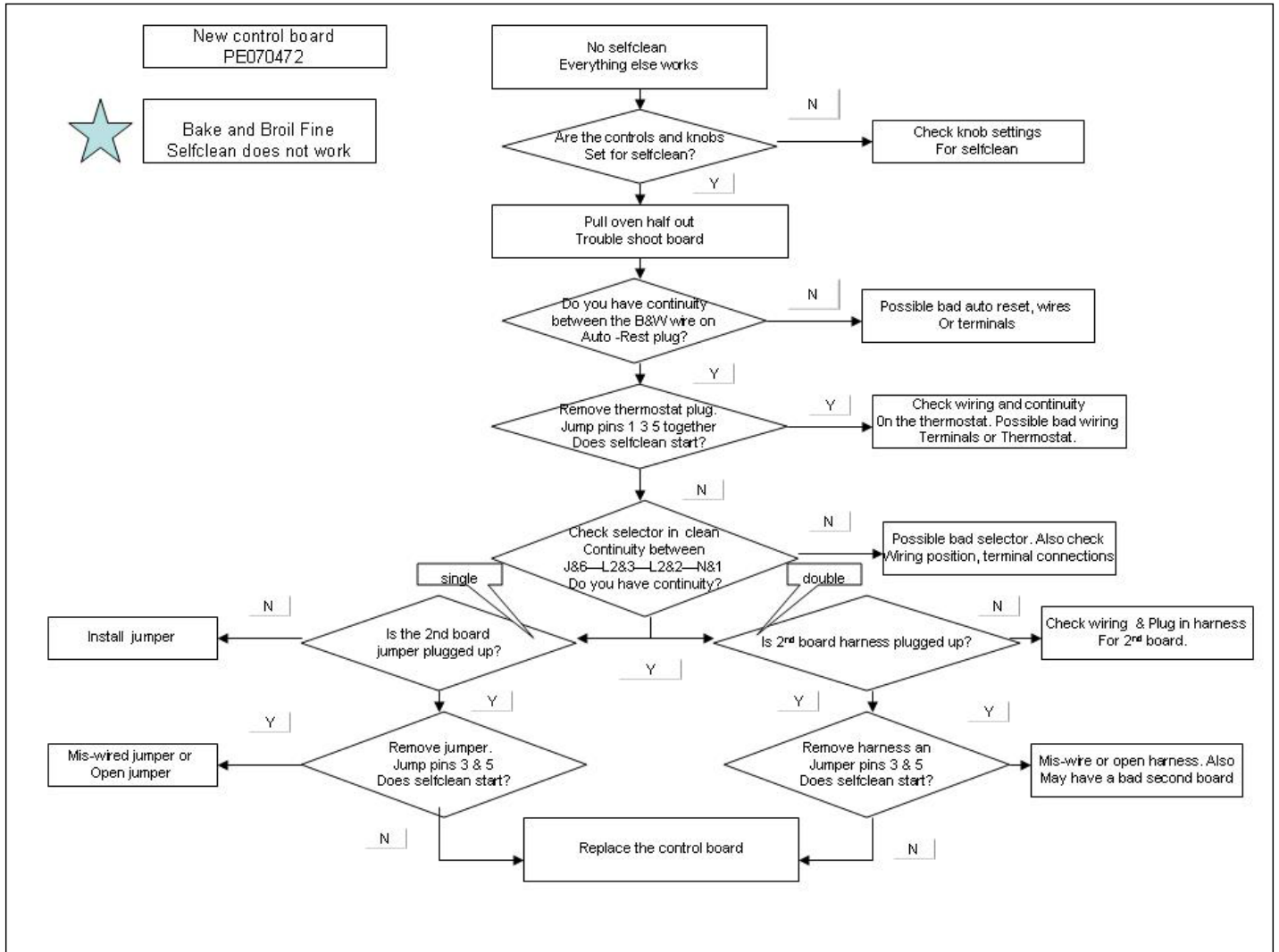
FLOW CHART NEW BOARD BAKE



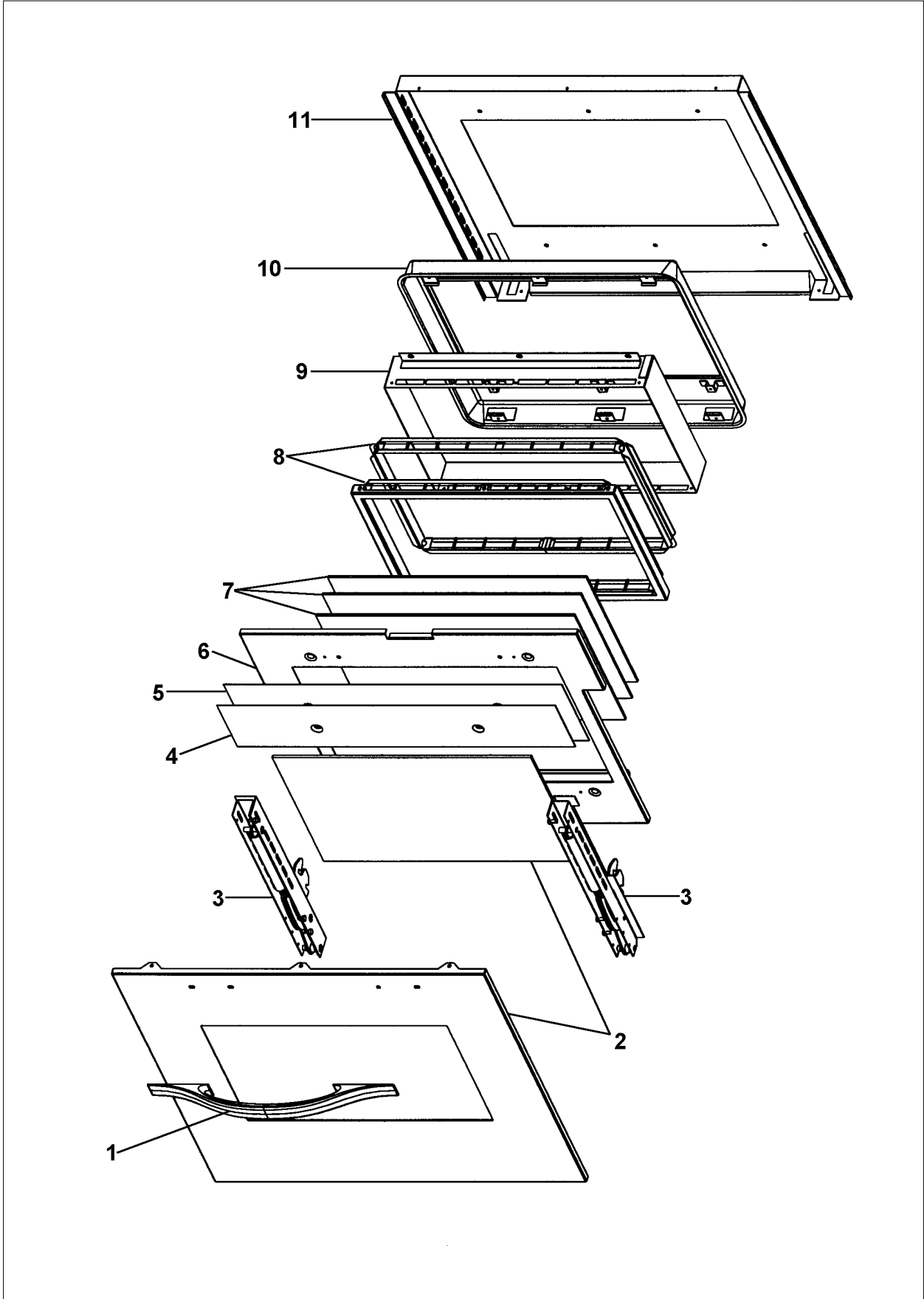
FLOW CHART NEW BOARD DOOR LOCK



FLOW CHART SELF CLEAN

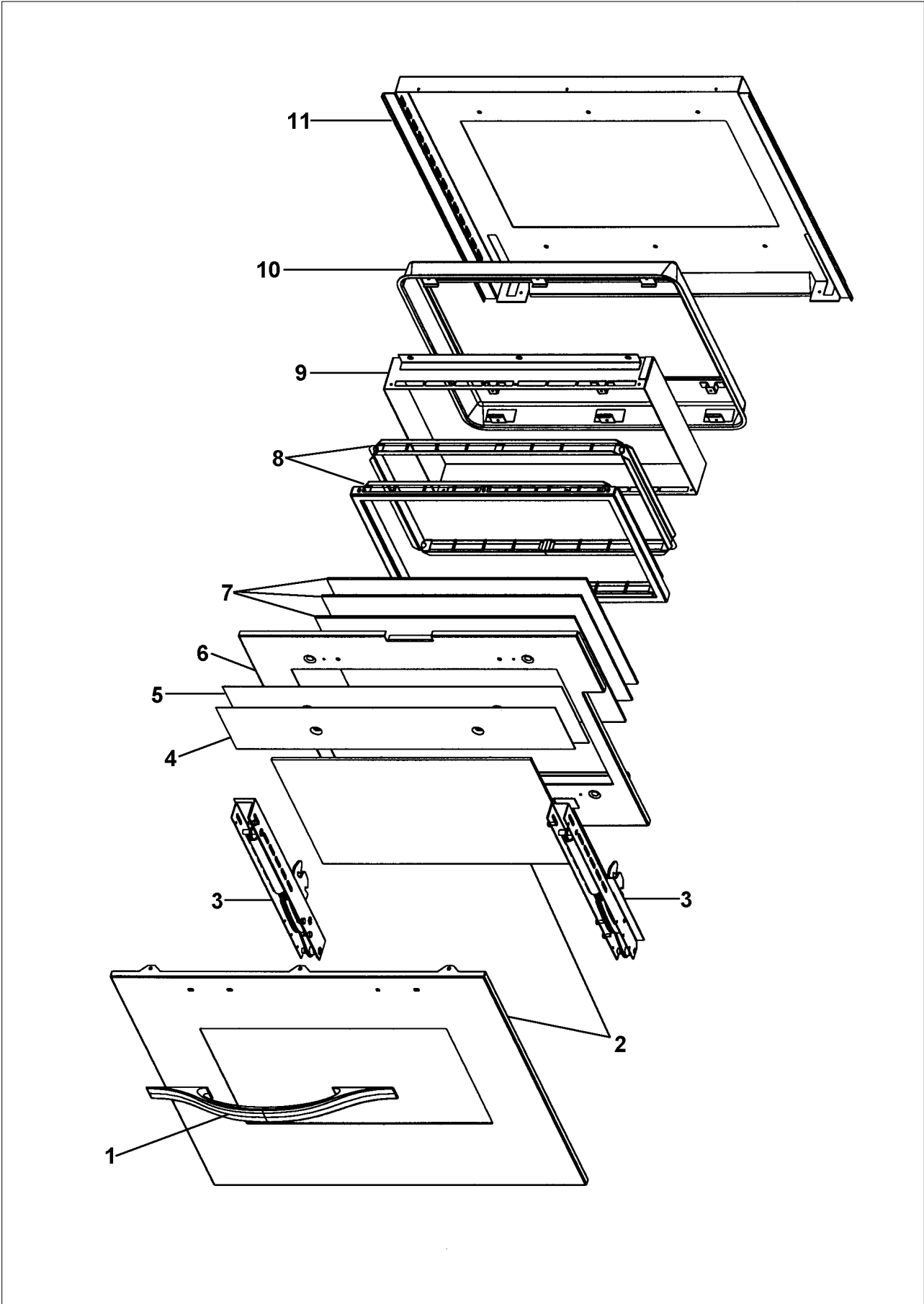


LOWER DOOR ASSY



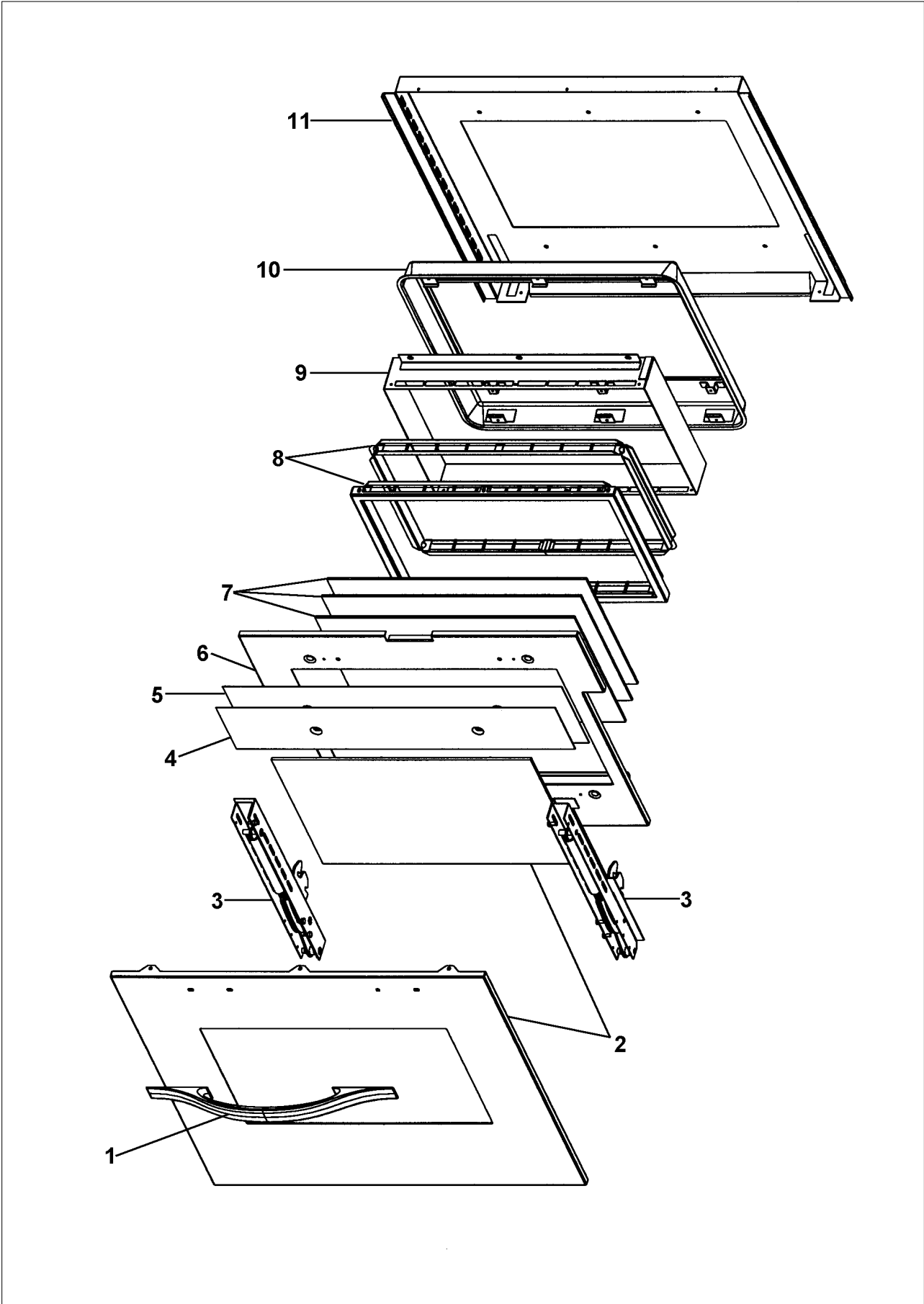


Item	Part No.	Name	Qty	Uom	NOTES
1	PE030167	30" DOOR HANDLE	1	EA	
Not Shown	PE030167PVD	30" DOOR HANDLE PVD	1	EA	NO LONGER AVAILABLE
2	G5008294BK	O/S DOOR SKIN ASSEMBLY (DESIGN)	1	EA	
Not Shown	G5008294BT	O/S DOOR SKIN ASSEMBLY (DESIGN)	1	EA	NO LONGER AVAILABLE
Not Shown	G5008294GG	O/S DOOR SKIN ASSEMBLY (DESIGN)	1	EA	NO LONGER AVAILABLE
Not Shown	G5008294SG	O/S DOOR SKIN ASSEMBLY (DESIGN)	1	EA	Not available online / Call for pricing and availability
Not Shown	G5008294SS	O/S DOOR SKIN ASSEMBLY (DESIGN)	1	EA	
Not Shown	G5008294WH	O/S DOOR SKIN ASSEMBLY (DESIGN)	1	EA	NO LONGER AVAILABLE, Not available online / Call for pricing and availability
3	006072-000	HINGE, DOOR, ASM, MANSFIELD, DES, GREEN SPRING	1	EA	
<p>Comments for Part Num. 006072-000</p> <p>bradleysapplianceservice@shaw.ca on Sep 13, 2017</p> <p>SUBS TO: 006072-000 OVEN DOOR HINGE - GREEN SPRING</p>					
4	A1006196	OUTER DOOR HEAT SHIELD 30	1	EA	Not available online / Call for pricing and availability
5	A1006195	INNER DOOR HEAT SHIELD 30	1	EA	
6	A2006016	30 INCH DESIGNER DOOR INSULATION	1	EA	Not available online / Call for pricing and availability
7	PE060057	30" GLASS PACK GLASS H.T.	1	EA	
8	H3006156	30 INCH GLASS PK FRAME WELD	1	EA	
9	H3006158	30 INCH GLASS PACK FRAME WELD	1	EA	
10	G50010118	DESO100/105/DEDO200/205 DR LINER SVC-KIT	1	EA	
11	G50010118	DESO100/105/DEDO200/205 DR LINER SVC-KIT	1	EA	





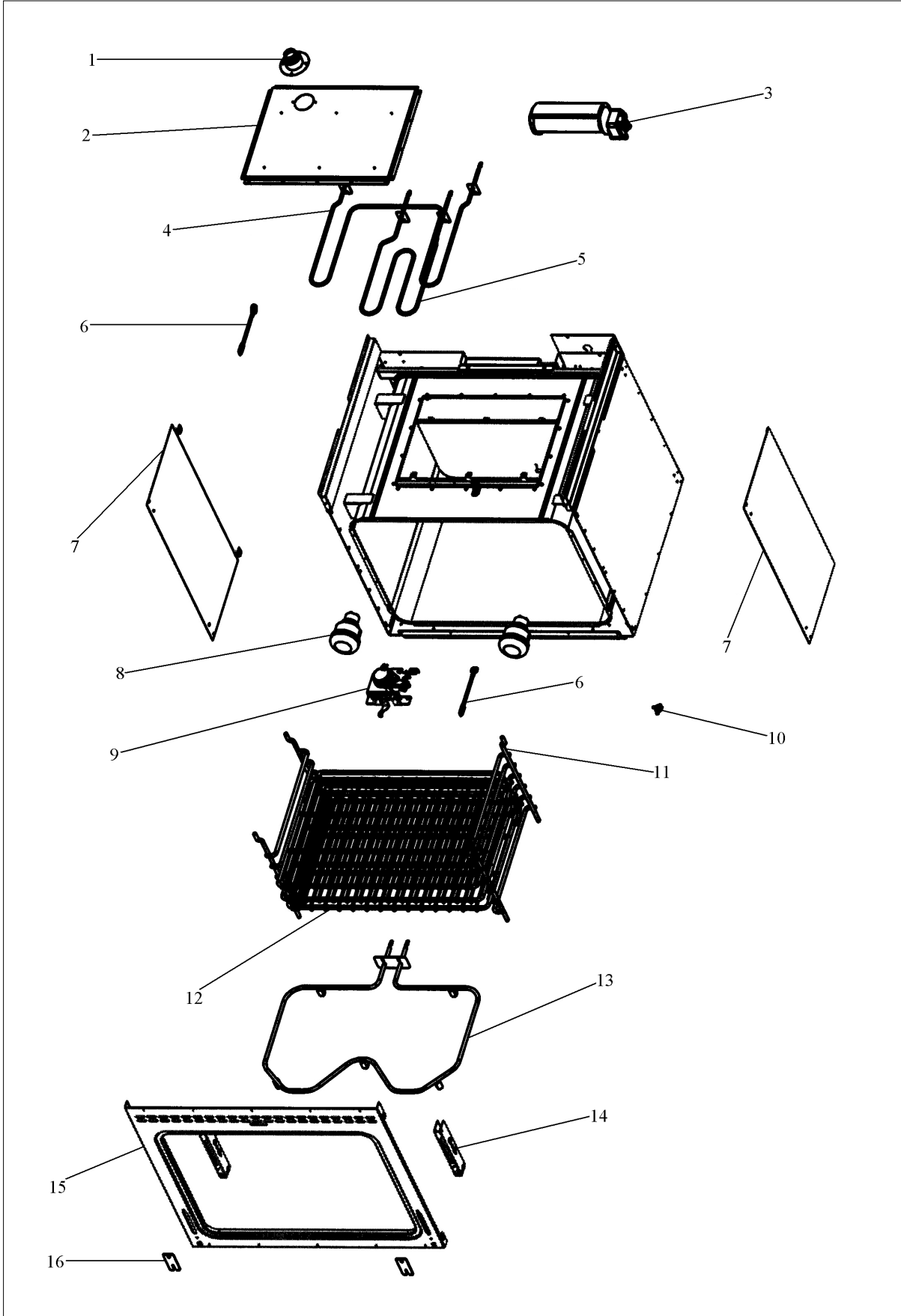
Item	Part No.	Name	Qty	Uom	NOTES
NI	000623-000	DOOR GASKET(3/8"DIA.) (VDSC)	1	EA	
NI	PB070093	BOARD INSULATION 30"	1	EA	
NI	PB070094	1/4" FIBERGLASS ROPE	1	EA	
NI	PD020032	SRW-8(A)X3/8"PH.WFR HD 7/16DIA*NICL	1	EA	
NI	B1007913	HINGE CLIP (DESIGNER TIME PIECE)	1	EA	
NI	G3207277BK	LOWER DR ASSY *BK* (DEDO205)	1	EA	NO LONGER AVAILABLE
Not Shown	G3207277BKBR	LOWER DR ASSY *BK*BR*(DEDO205)	1	EA	NO LONGER AVAILABLE, Not available online / Call for pricing and availability
Not Shown	G3207277BT	LOWER DR ASSY *BT* (DEDO205)	1	EA	NO LONGER AVAILABLE, Not available online / Call for pricing and availability
Not Shown	G3207277BTBR	LOWER DR ASSY *BT*BR*(DEDO205)	1	EA	NO LONGER AVAILABLE, Not available online / Call for pricing and availability
Not Shown	G3207277GG	LOWER DR ASSY *GG* (DEDO205)	1	EA	NO LONGER AVAILABLE
Not Shown	G3207277GGBR	LOWER DR ASSY *GG*BR*(DEDO205)	1	EA	NO LONGER AVAILABLE, Not available online / Call for pricing and availability
Not Shown	G3207277SG	LOWER DR ASSY *SG* (DEDO205)	1	EA	NO LONGER AVAILABLE
Not Shown	G3207277SGBR	LOWER DR ASSY *SG*BR*(DEDO205)	1	EA	
G320727 7SS	G3207969SS	LOWER DR ASSY*SS*(DEDO200)	1	EA	
Not Shown	G3207277SSBR	LOWER DR ASSY *SS*BR*(DEDO205)	1	EA	NO LONGER AVAILABLE, Not available online / Call for pricing and availability
Not Shown	G3207277WH	LOWER DR ASSY *WH* (DEDO205)	1	EA	NO LONGER AVAILABLE





Item	Part No.	Name	Qty	Uom	NOTES
Not Shown	G3207277WHBR	LOWER DR ASSY *WH*BR* (DEDO205)	1	EA	NO LONGER AVAILABLE, Not available online / Call for pricing and availability

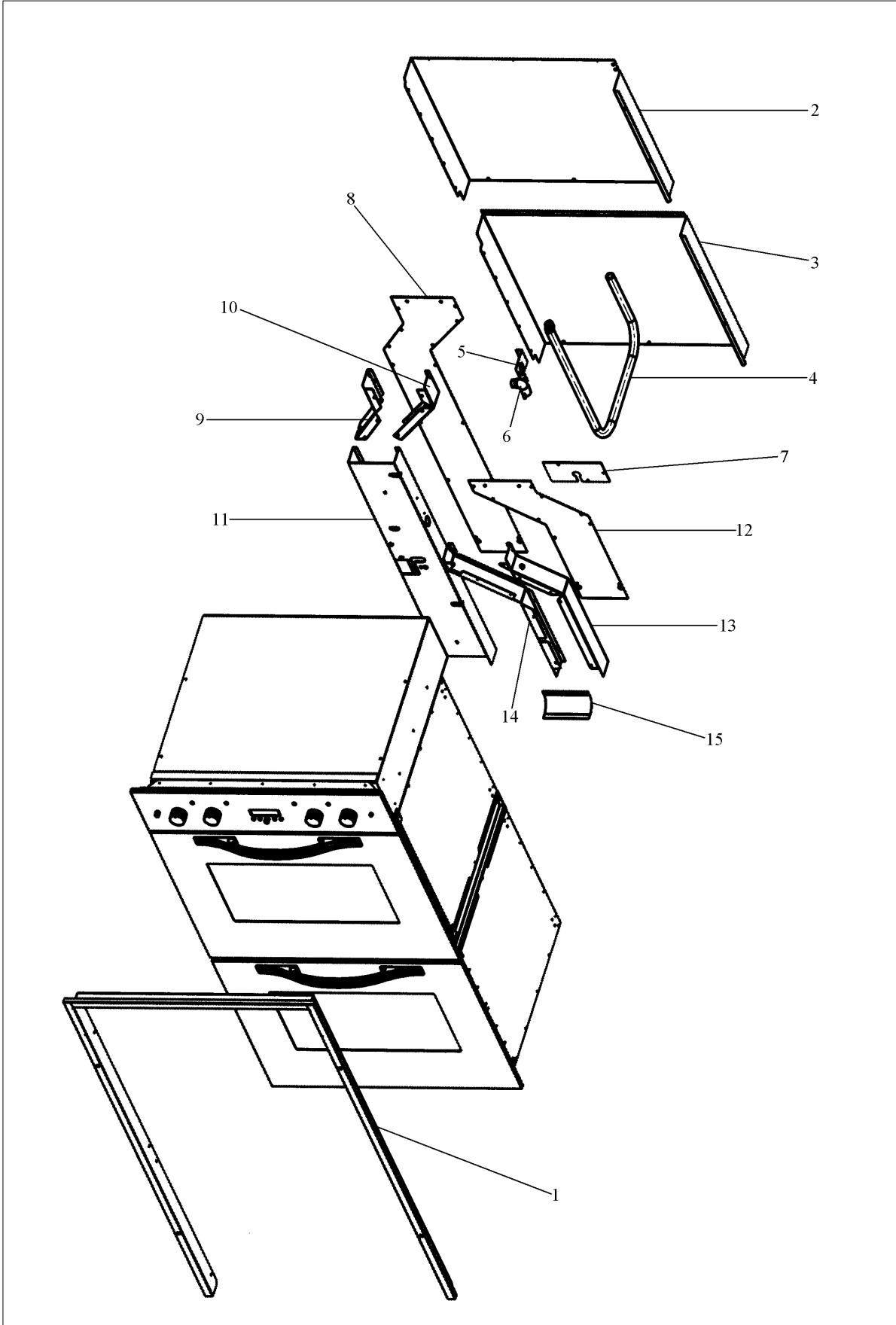
LOWER OVEN ASSY



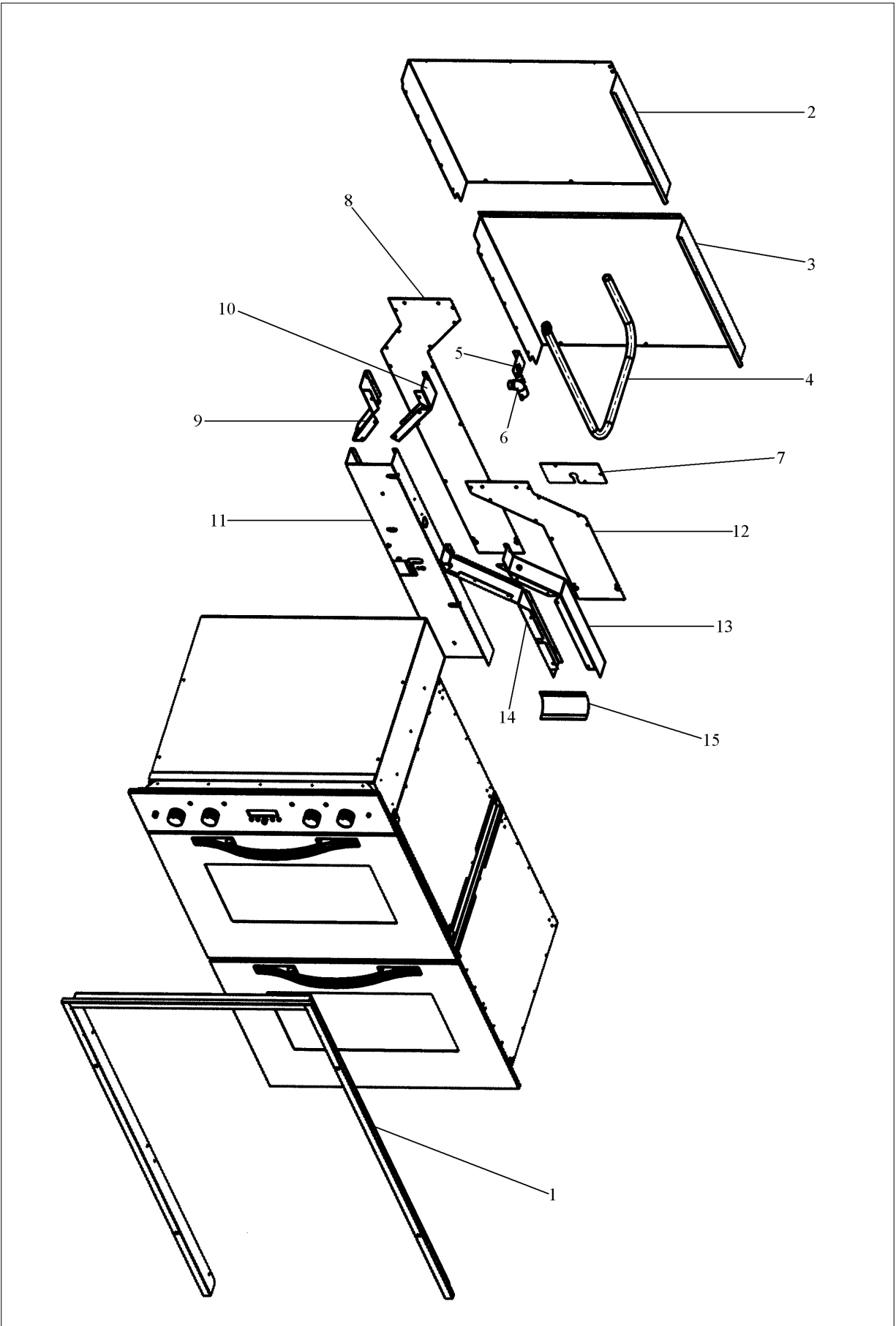


Item	Part No.	Name	Qty	Uom	NOTES
1	PM010014	SMOKE ELIMINATOR (VDSC)	1	EA	
2	B2002167	BROILER TOP (VDSC)	1	EA	NO LONGER AVAILABLE
3	PE050087	BLOWER ASSEMBLY - DESIGNER SERIES	1	EA	
4	PJ010002	BROIL ELEMENT(MAXI)-SIDE (VDSC)240V	1	EA	
5	PJ010001	BROIL ELEMENT 240V	1	EA	
6	PE050059	HI-LIMIT SWITCH	1	EA	
7	A2006193	HEAT SHIELD	1	EA	Not available online / Call for pricing and availability
8	031449-000	LAMP, ASM	1	EA	
9	PE050112	DOOR LATCH	1	EA	
10	PJ030006	SWITCH (COOLING FAN)	1	EA	
11	PB060030	RACK SUPT REPL PB060010	1	EA	
12	PB060044	OVEN RK VDSC30/48RH REPL PB060019	1	EA	
13	PJ010004	BAKE ELEMENT (VDSC) 240V	1	EA	
14	PC020016	HINGE RECEIVER (VEDO/VEDO)	1	EA	
15	H9107467	30" LOWER FRONT FRAME ASSY	1	EA	NO LONGER AVAILABLE
16	B1007234	HINGE TRIM REPL B2102963 2 EA	1	EA	

REAR ASSY

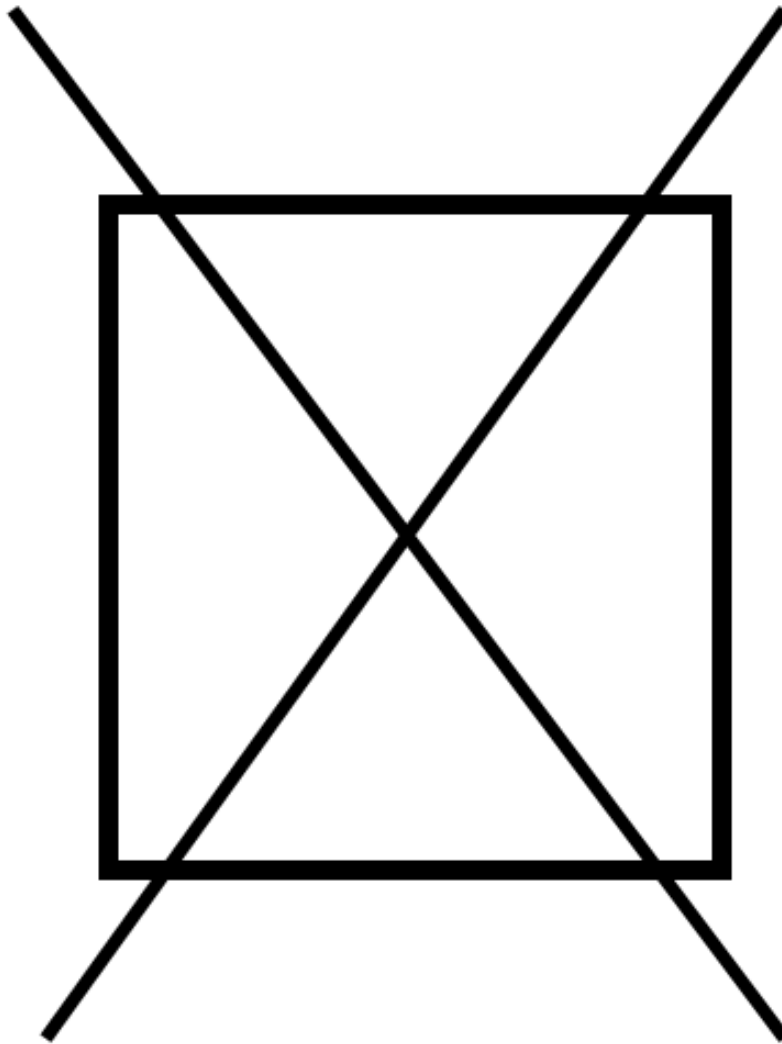


Item	Part No.	Name	Qty	Uom	NOTES
1	G3007285	DEDO200/205 TRIM ASSY	1	EA	
Not Shown	G9007611BK	SUB TO G90012654BK - DEDO200/205 TRIM ASSY *BK*	1	EA	NO LONGER AVAILABLE
Not Shown	G9007611BT	SUB TO G90012654BT - DEDO200/205 TRIM ASSY *BT*	1	EA	NO LONGER AVAILABLE, Not available online / Call for pricing and availability
Not Shown	G9007611GG	TRIM ASSEMBLY - GG	1	EA	Not available online / Call for pricing and availability
Not Shown	G9007611SG	SUB TO G90012654SG - DEDO200/205 TRIM ASSY *SG*	1	EA	NO LONGER AVAILABLE, Not available online / Call for pricing and availability
Not Shown	G9007611WH	SUB TO G90012654WH - DEDO200/205 TRIM ASSY *WH*	1	EA	NO LONGER AVAILABLE
2	A2008581	30" UPPER OUTER BACK	1	EA	NO LONGER AVAILABLE, Not available online / Call for pricing and availability
3	A2008582	30" LOWER OUTER BACK	1	EA	NO LONGER AVAILABLE, Not available online / Call for pricing and availability
4	PB020071	CONDUIT - FLEXIBLE (48")	1	EA	
5	A2005777	CONDUIT BRACKET	1	EA	NO LONGER AVAILABLE, Not available online / Call for pricing and availability
6	PB040070	CONDUIT FITTING (90 DEG)	1	EA	
7	A1006103	RH LOWER REAR COVER 30 (DEDO200)	1	EA	NO LONGER AVAILABLE, Not available online / Call for pricing and availability
8	A1006179	DOUBLE VENT COVER PLATE	1	EA	NO LONGER AVAILABLE, Not available online / Call for pricing and availability
9	A2006324	VENT SIDE LH	1	EA	NO LONGER AVAILABLE, Not available online / Call for pricing and availability



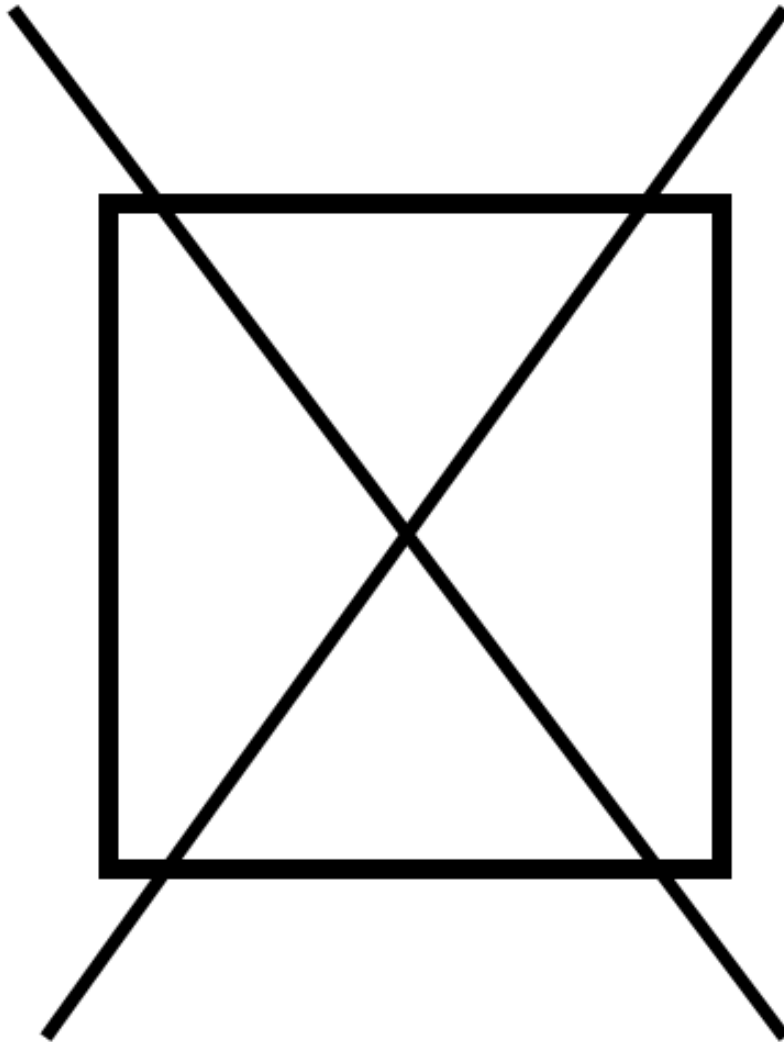
Item	Part No.	Name	Qty	Uom	NOTES
10	A2006323	VENT SIDE RH	1	EA	NO LONGER AVAILABLE, Not available online / Call for pricing and availability
11	A2006199	LOWER AIR VENT	1	EA	NO LONGER AVAILABLE, Not available online / Call for pricing and availability
12	A1006178	LOWER VENT COVER PLATE	1	EA	NO LONGER AVAILABLE, Not available online / Call for pricing and availability
13	A2006321	LOWER VENT SIDE RH	1	EA	NO LONGER AVAILABLE, Not available online / Call for pricing and availability
14	A2006322	LOWER VENT SIDE RH	1	EA	NO LONGER AVAILABLE, Not available online / Call for pricing and availability
15	A2006182	AIR SCOOP	1	EA	NO LONGER AVAILABLE

NON
ILLUSTRATED PART



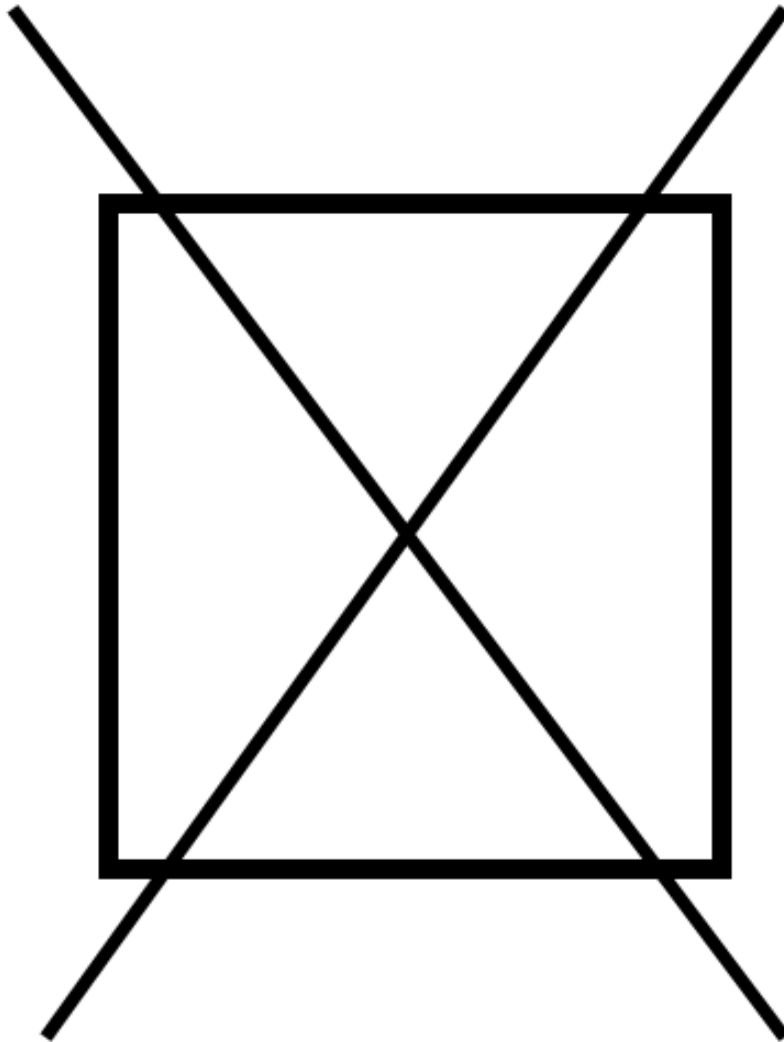
Item	Part No.	Name	Qty	Uom	NOTES
1	A2006142	DESIGNER OVEN CABINET TOP	1	EA	NO LONGER AVAILABLE, Not available online / Call for pricing and availability
2	A2006108	30 INCH TOP REAR COVER	1	EA	NO LONGER AVAILABLE, Not available online / Call for pricing and availability
3	A2006122	CABINET SIDE RH	1	EA	Not available online / Call for pricing and availability
4	PE070147	TERMINAL BLOCK (VDSC)	1	EA	
5	NOT REPLACABLE	Sandwich Panel - Top	1	EA	
6	NOT REPLACABLE	Sandwich Panel - Bottom	1	EA	
7	G4008423	DESIGNER OVEN LIGHT SWITCH ASSY	1	EA	
8	PD040005	SNAP BUSHING - 7/8"	1	EA	
9	A2006184	FRONT SANDWICH PANEL ANGLE 30	1	EA	NO LONGER AVAILABLE
10	A2006101	OVEN LIGHT SWITCH BRACKET	1	EA	
11	A2006098	CLOCK MOUNTING BRACKET	1	EA	NO LONGER AVAILABLE
12	E9106134	CONTROL MOUNTING PANEL 30 (DEDO200)	1	EA	
13	B92010130	CONTROL PANEL 30	1	EA	
Not Shown	C92010130BK	CTRL PANEL 30 *BK* SLK. SC.	1	EA	NO LONGER AVAILABLE
Not Shown	C92010130BT	CTRL PANEL 30 *BT* SLK. SC.	1	EA	NO LONGER AVAILABLE, Not available online / Call for pricing and availability
Not Shown	C92010130GG	CTRL PANEL 30 *GG* SLK. SC.	1	EA	NO LONGER AVAILABLE
Not Shown	C92010130SG	CTRL PANEL 30 *SG* SLK. SC.	1	EA	NO LONGER AVAILABLE, Not available online / Call for pricing and availability
Not Shown	C92010130WH	CTRL PANEL 30 *WH* SLK. SC.	1	EA	NO LONGER AVAILABLE, Not available online / Call for pricing and availability

NON
ILLUSTRATED PART



Item	Part No.	Name	Qty	Uom	NOTES
14	PA010093	DESIGNER OVEN LT SWITCH KNOB	1	EA	
Not Shown	PA010093PVD	DESIGNER OVEN LT SWITCH KNOB-BRASS	1	EA	
15	PE050073	DESIGNER INDICATOR LT	1	EA	
16	PB010221	DESIGNER BIT GEN. KNOB (NEW CLOCK)	1	EA	
Not Shown	PB010221PVD	DESIGNER BIT GEN. KNOB - BRASS	1	EA	Not available online / Call for pricing and availability
17	PB010217	DESIGNER CLOCK BUTTON	1	EA	
Not Shown	PB010217PVD	DESIGNER CLOCK BUTTON-BRASS	1	EA	
18	PB010196	DESIGNER THERMOSTAT KNOB	1	EA	
Not Shown	PB010196PVD	DESIGNER THERMOSTAT KNOB W/BRASS	1	EA	
Not Shown	PB010204	DESIGNER THERMOSTAT KNOB - GRAY	1	EA	
Not Shown	PB010204PVD	DESIGNER THERMOSTAT KNOB -BR/GRAY	1	EA	
19	PA010194	DES. SELECTOR/THERMOSTAT KNOB	1	EA	
Not Shown	PA010091PVD	DESIGNER SELECTOR KNOB - BR	1	EA	
Not Shown	PA010095	DESIGNER SELECTOR KNOB - GRAY	1	EA	
Not Shown	PA010095PVD	DESIGNER SELECTOR KNOB-BR/GRAY	1	EA	
20	PA010110	DESIGNER OVEN SELECTOR KNOB REPL PA010092	1	EA	
Not Shown	PA010092PVD	DESIGNER OVEN SELECTOR KNOB - BRASS	1	EA	NO LONGER AVAILABLE
21	A2006144	CONTROL MOUNT BRACKET	1	EA	
22	A2006100	THREE POSITION SELECTOR BRKT	1	EA	
23	A2006123	CABINET SIDE LH	1	EA	
24	A2006109	SELECTOR SWITCH COVER	1	EA	NO LONGER AVAILABLE, Not available online / Call for pricing and availability

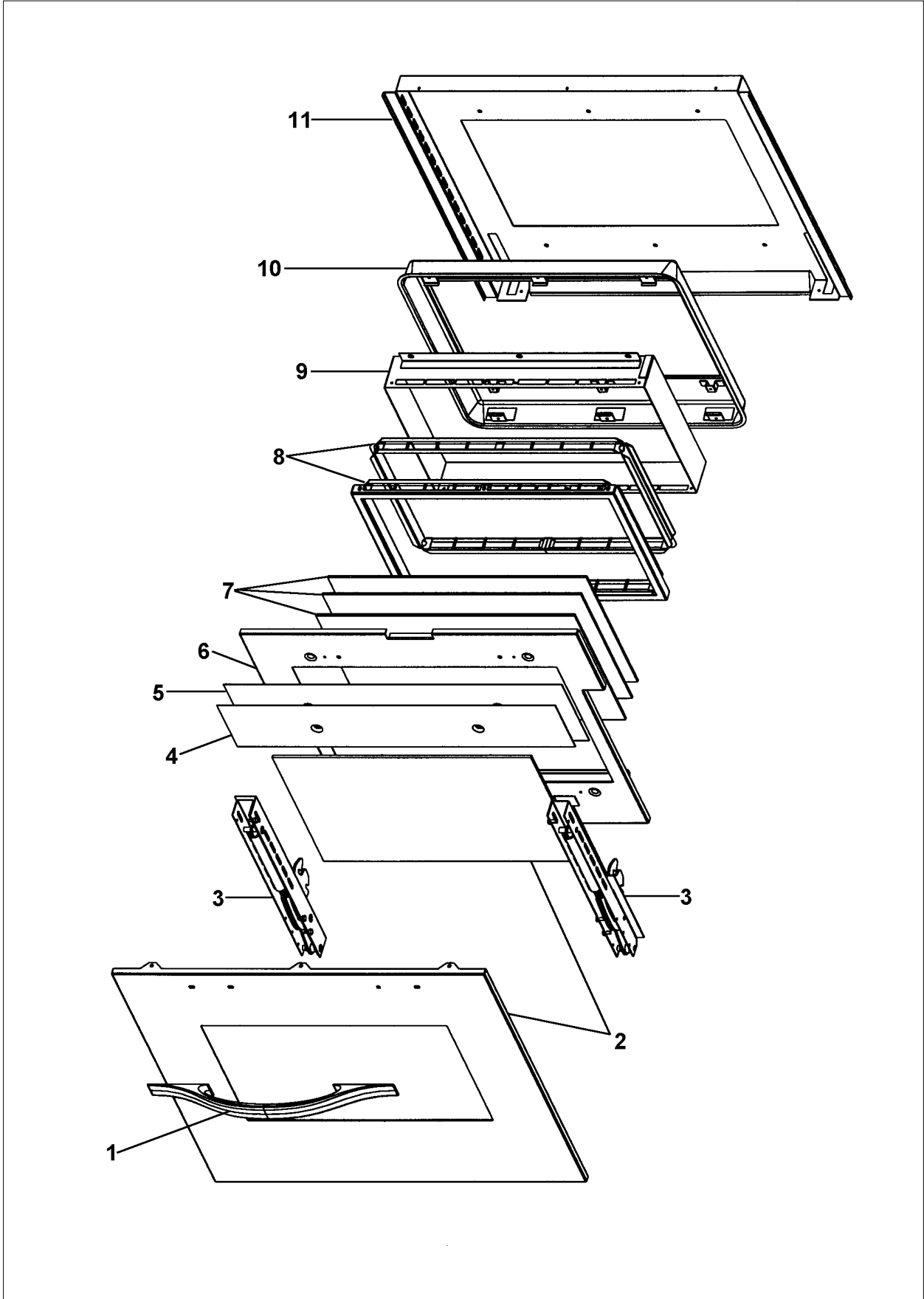
NON
ILLUSTRATED PART





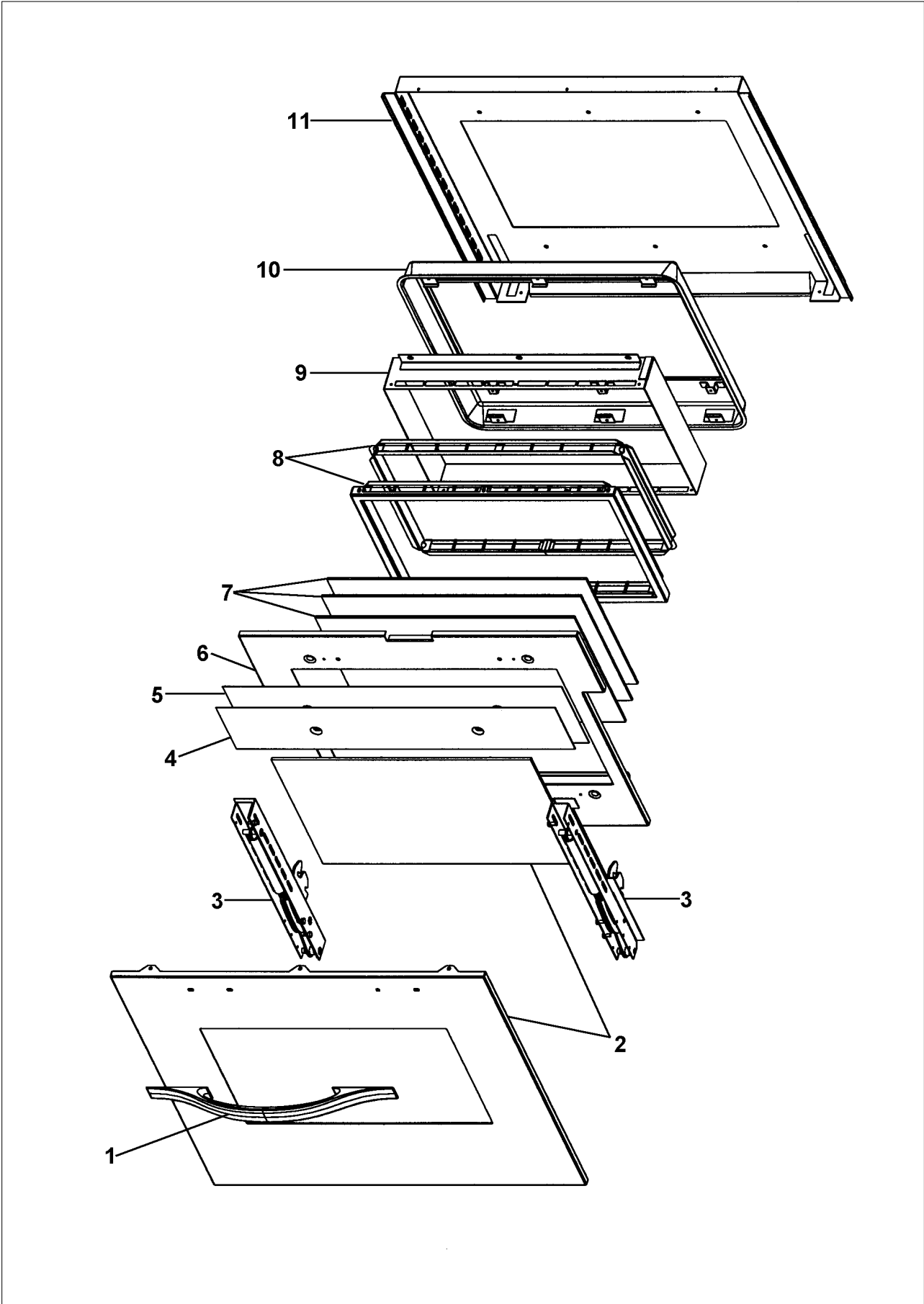
Item	Part No.	Name	Qty	Uom	NOTES
25	PJ030010	SELECTOR SWITCH (3-POSITION)VEDO205	1	EA	
26	PJ030001	SELECTOR SWITCH (8-POSITION) VDSC	1	EA	
27	PS500033	SUB TO PS500033 - SELF CLEAN THERMOSTAT	1	EA	
28	PE050059	HI-LIMIT SWITCH	1	EA	
29	A2006186	POWER RELAY BRACKET	1	EA	NO LONGER AVAILABLE, Not available online / Call for pricing and availability
30	PJ030002	AUTO RESET (SELF-CLEAN) VDSC	1	EA	
31	A1002456	THERMO-DISC BRKT (VDSC)	1	EA	
32	PM010029	RELAY (DOUBLE POLE-DOUBLE THROW)TEM	1	EA	
33	PJ030025	5 POS SELECTOR SWITCH	1	EA	
34	A2006099	TIMER BOARD BRACKET	1	EA	NO LONGER AVAILABLE, Not available online / Call for pricing and availability
35	PD030033	GROMMET NUT-ROUND HD. #8 X .500DIA.	1	EA	
36	PE070148	SELF-CLEAN BOARD/TIMER (VDSC)	1	EA	
37	PM010029	RELAY (DOUBLE POLE-DOUBLE THROW)TEM	1	EA	
38	PE070308	PRE-HEAT BOARD	1	EA	
NI	PE070319	DESO PREHEAT HARNESS	1	EA	

UPPER DOOR ASSY



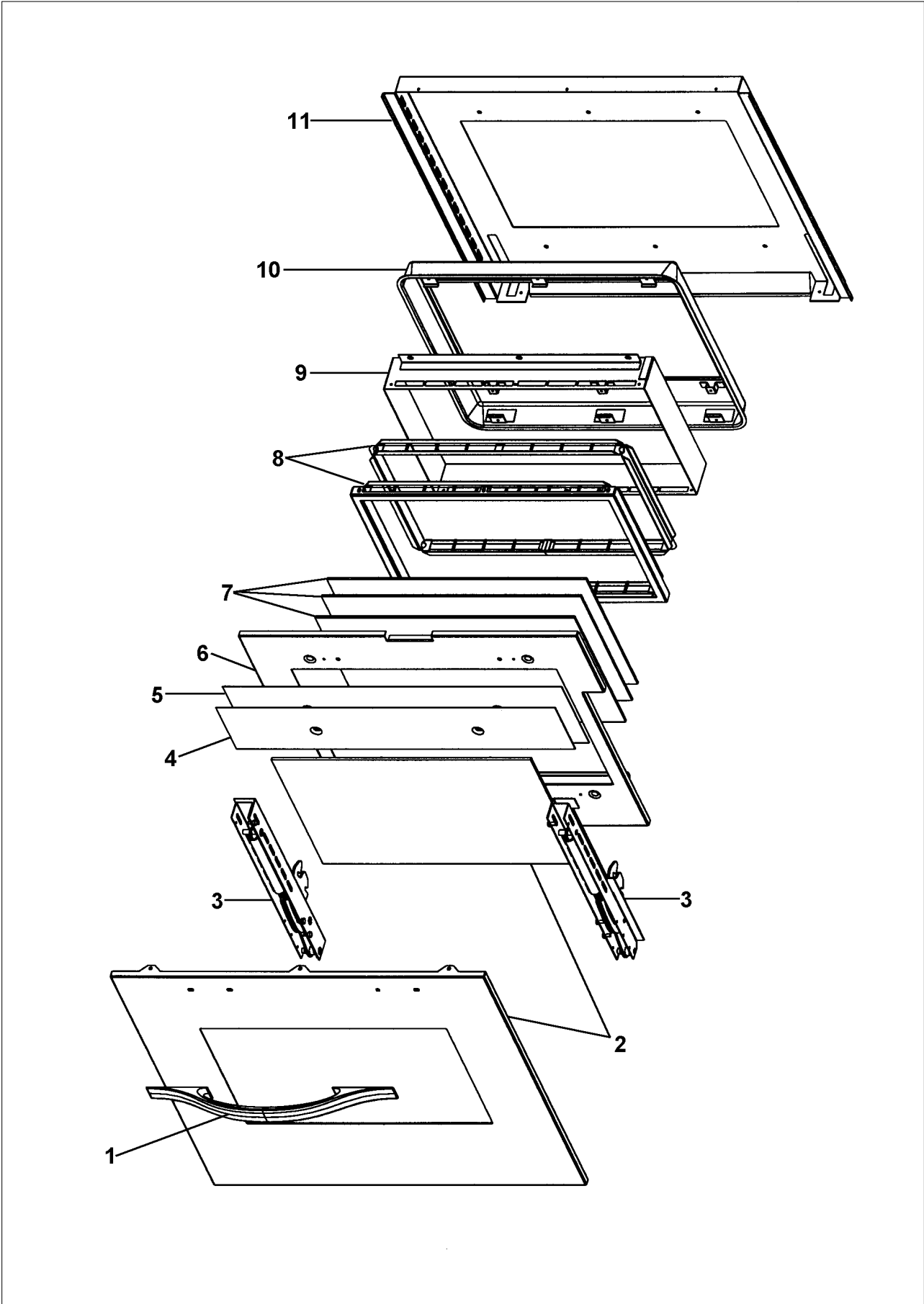


Item	Part No.	Name	Qty	Uom	NOTES
1	PE030167	30" DOOR HANDLE	1	EA	
Not Shown	PE030167PVD	30" DOOR HANDLE PVD	1	EA	NO LONGER AVAILABLE
2	G5008293BK	O/S DOOR SKIN ASSEMBLY (DESIGN)	1	EA	
Not Shown	G5008293BT	O/S DOOR SKIN ASSEMBLY (DESIGN)	1	EA	NO LONGER AVAILABLE
Not Shown	G5008293GG	O/S DOOR SKIN ASSEMBLY (DESIGN)	1	EA	NO LONGER AVAILABLE
Not Shown	G5008293SG	O/S DOOR SKIN ASSEMBLY (DESIGN)	1	EA	
Not Shown	G5008293SS	O/S DOOR SKIN ASSEMBLY (DESIGN)	1	EA	
Not Shown	G5008293WH	O/S DOOR SKIN ASSEMBLY (DESIGN)	1	EA	NO LONGER AVAILABLE
3	006072-000	HINGE, DOOR, ASM, MANSFIELD, DES, GREEN SPRING	1	EA	
Comments for Part Num. 006072-000					
bradleysapplianceservice@shaw.ca on Sep 13, 2017					
SUBS TO: 006072-000 OVEN DOOR HINGE - GREEN SPRING					
4	A1006196	OUTER DOOR HEAT SHIELD 30	1	EA	Not available online / Call for pricing and availability
5	A1006195	INNER DOOR HEAT SHIELD 30	1	EA	
6	A2006016	30 INCH DESIGNER DOOR INSULATION	1	EA	Not available online / Call for pricing and availability
7	PE060057	30" GLASS PACK GLASS H.T.	1	EA	
8	H3006156	30 INCH GLASS PK FRAME WELD	1	EA	
9	H3006158	30 INCH GLASS PACK FRAME WELD	1	EA	
10	G50010118	DESO100/105/DEDO200/205 DR LINER SVC-KIT	1	EA	
11	G50010118	DESO100/105/DEDO200/205 DR LINER SVC-KIT	1	EA	
NI	000623-000	DOOR GASKET(3/8"DIA.) (VDSC)	1	EA	
NI	PB070093	BOARD INSULATION 30"	1	EA	





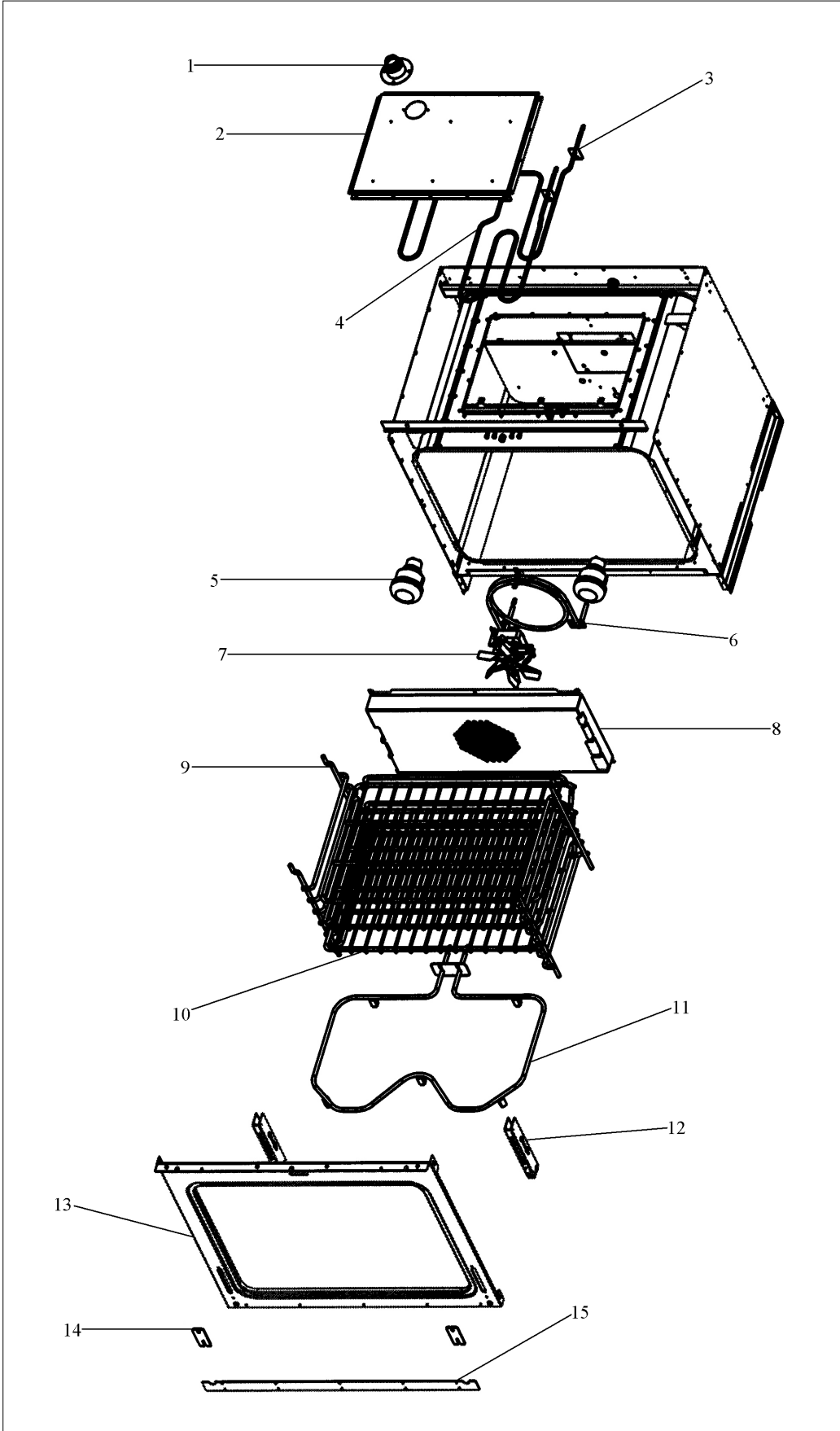
Item	Part No.	Name	Qty	Uom	NOTES
NI	PB070094	1/4" FIBERGLASS ROPE	1	EA	
NI	PD020032	SRW-8(A)X3/8"PH.WFR HD 7/16DIA*NICL	1	EA	
NI	B1007913	HINGE CLIP (DESIGNER TIME PIECE)	1	EA	
NI	G3207283BK	DOOR ASSY *BK* (DEDO205/DESO105)	1	EA	NO LONGER AVAILABLE
Not Shown	G3207283BKBR	DOOR ASSY *BK*BR*(DEDO205/DESO105)	1	EA	NO LONGER AVAILABLE, Not available online / Call for pricing and availability
Not Shown	G3207283BT	DOOR ASSY *BT* (DEDO205/DESO105)	1	EA	NO LONGER AVAILABLE
Not Shown	G3207283BTBR	DOOR ASSY *BT*BR*(DEDO205/DESO105)	1	EA	NO LONGER AVAILABLE, Not available online / Call for pricing and availability
Not Shown	G3207283GG	DOOR ASSY *GG* (DEDO205/DESO105)	1	EA	NO LONGER AVAILABLE
Not Shown	G3207283GGBR	DOOR ASSY *GG*BR*(DEDO205/DESO105)	1	EA	NO LONGER AVAILABLE, Not available online / Call for pricing and availability
Not Shown	G3207283SG	DOOR ASSY*SG* (DEDO205/DESO105)	1	EA	NO LONGER AVAILABLE, Not available online / Call for pricing and availability
Not Shown	G3207283SGBR	DOOR ASSY *SG*BR*(DEDO205/DESO105)	1	EA	NO LONGER AVAILABLE, Not available online / Call for pricing and availability
Not Shown	G3207283SS	DOOR ASSY *SS* (DEDO205/DESO105)	1	EA	
Not Shown	G3207283SSBR	DOOR ASSY *SS*BR*(DEDO205/DESO105)	1	EA	NO LONGER AVAILABLE, Not available online / Call for pricing and availability
Not Shown	G3207283WH	DOOR ASSY *WH* (DEDO205/DESO105)	1	EA	NO LONGER AVAILABLE, Not available online / Call for pricing and availability





Item	Part No.	Name	Qty	Uom	NOTES
Not Shown	G3207283WHBR	DOOR ASSY *WH*BR*(DEDO205/DESO105)	1	EA	NO LONGER AVAILABLE, Not available online / Call for pricing and availability

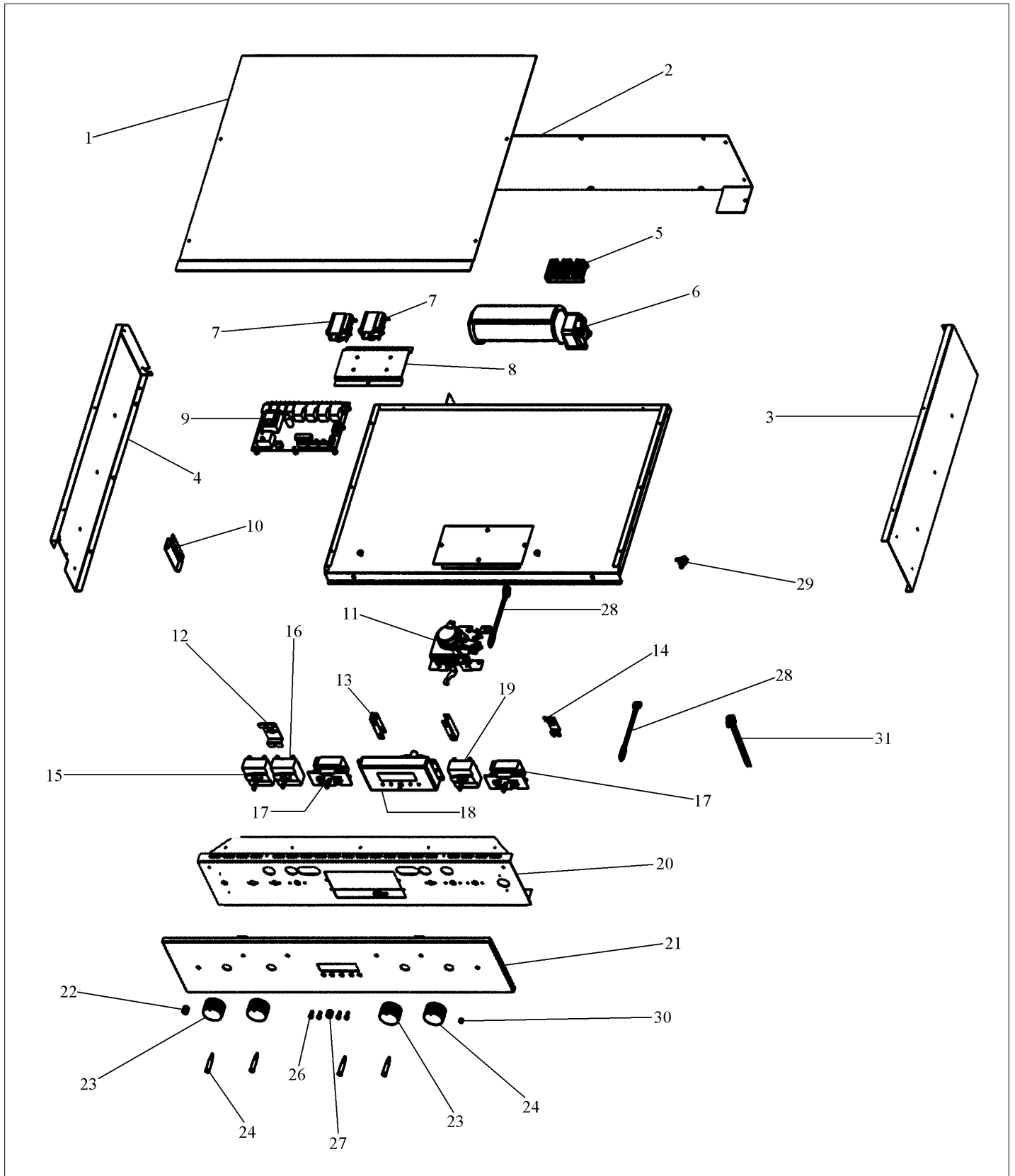
UPPER OVEN ASSY



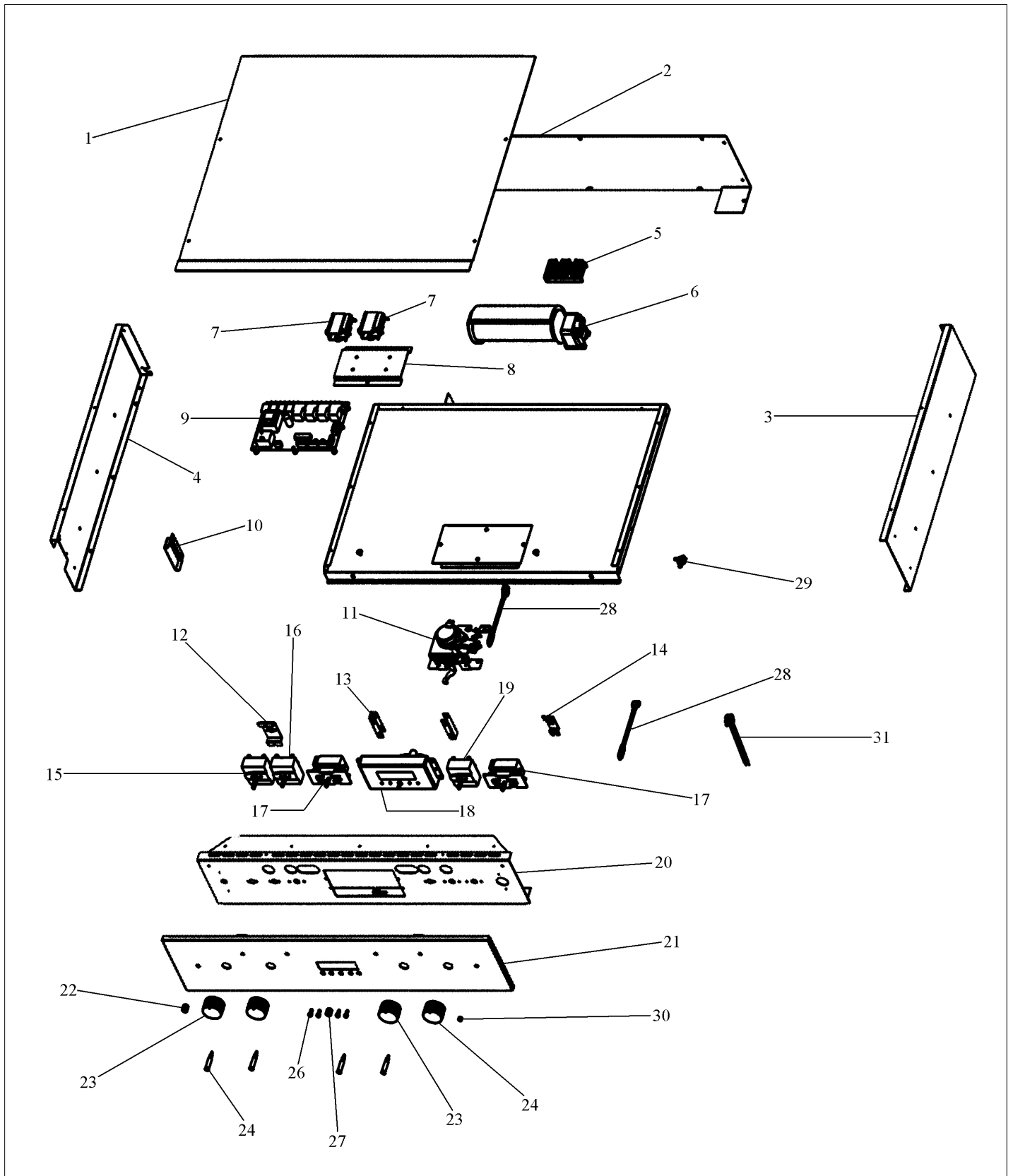


Item	Part No.	Name	Qty	Uom	NOTES
1	PM010014	SMOKE ELIMINATOR (VDSC)	1	EA	
2	B2002167	BROILER TOP (VDSC)	1	EA	NO LONGER AVAILABLE
3	PJ010002	BROIL ELEMENT(MAXI)-SIDE (VDSC)240V	1	EA	
4	PJ010001	BROIL ELEMENT 240V	1	EA	
5	031449-000	LAMP, ASM	1	EA	
6	PJ010003	CONVECTION ELEMENT (VDSC) 240V	1	EA	
7	PE050005	CONVECTION FAN ASSY	1	EA	
8	E9102170	CONVECTION FAN COVER	1	EA	
9	PB060030	RACK SUPT REPL PB060010	1	EA	
10	PB060044	OVEN RK VDSC30/48RH REPL PB060019	1	EA	
11	PJ010004	BAKE ELEMENT (VDSC) 240V	1	EA	
12	PC020016	HINGE RECEIVER (VEDO/VEDO)	1	EA	
13	H9106118	30 INCH DESIGNER F.F. ASSEMBLY	1	EA	NO LONGER AVAILABLE
14	B1007234	HINGE TRIM REPL B2102963 2 EA	1	EA	
15	B1007454	CENTER TRIM 30	1	EA	NO LONGER AVAILABLE, Not available online / Call for pricing and availability

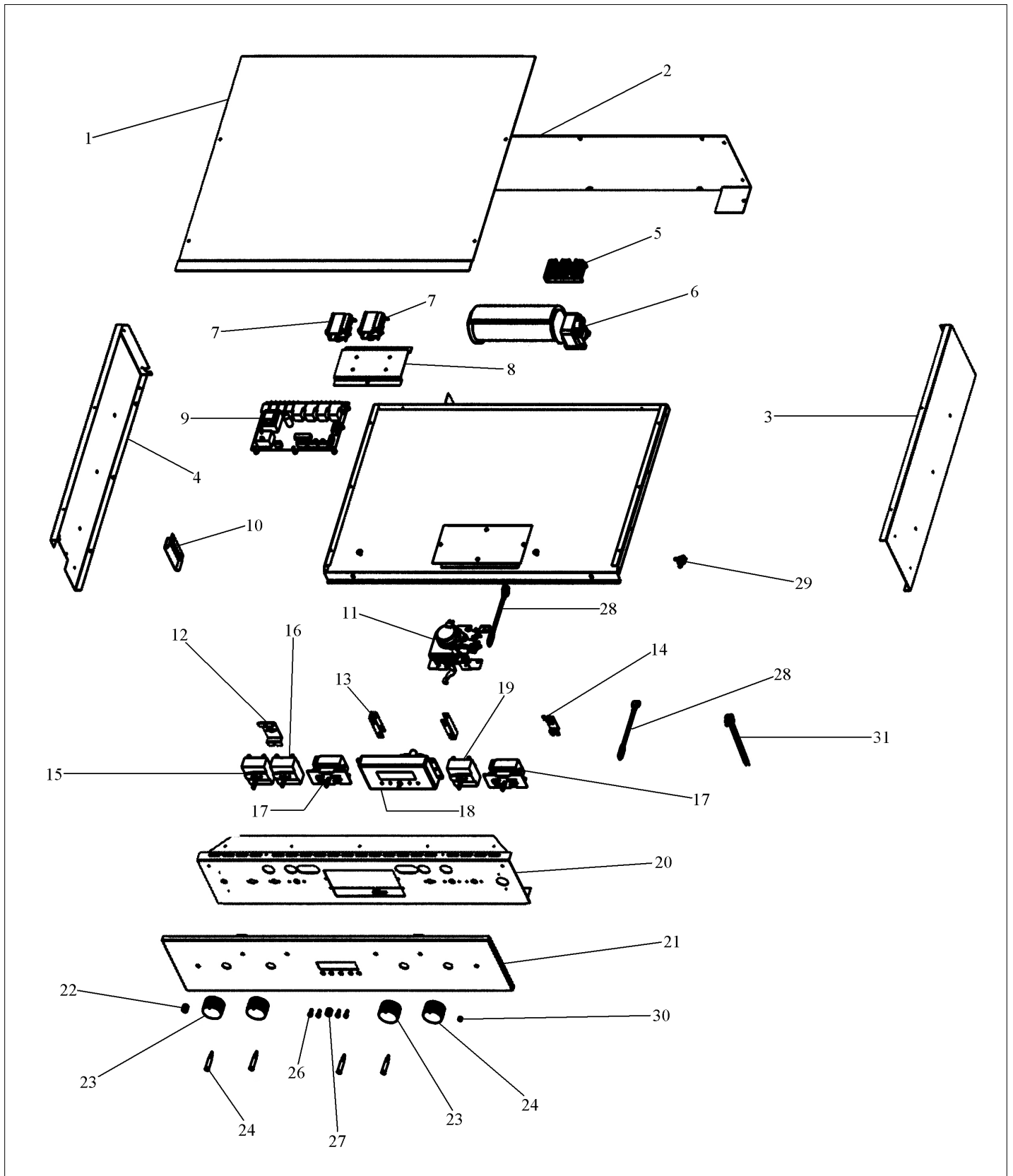
UPPER UNIT ASSY



Item	Part No.	Name	Qty	Uom	NOTES
1	A2007956	30"" CABINET TOP	1	EA	NO LONGER AVAILABLE
2	A2007908	30 INCH TOP REAR COVER	1	EA	NO LONGER AVAILABLE, Not available online / Call for pricing and availability
3	A2006122	CABINET SIDE RH	1	EA	Not available online / Call for pricing and availability
4	A2006123	CABINET SIDE LH	1	EA	
5	PE070147	TERMINAL BLOCK (VDSC)	1	EA	
6	PE050087	BLOWER ASSEMBLY - DESIGNER SERIES	1	EA	
7	PJ030002	AUTO RESET (SELF-CLEAN) VDSC	1	EA	
8	A2009884	AUTO RESET BRACKET	1	EA	NO LONGER AVAILABLE, Not available online / Call for pricing and availability
9	PE070786	ELECTRONIC CONTROL BOARD	1	EA	
10	A2006109	SELECTOR SWITCH COVER	1	EA	NO LONGER AVAILABLE, Not available online / Call for pricing and availability
11	PE050112	DOOR LATCH	1	EA	
12	A2006100	THREE POSITION SELECTOR BRKT	1	EA	
13	A20010135	CLOCK MOUNTING BRACKET	1	EA	NO LONGER AVAILABLE
14	A2006101	OVEN LIGHT SWITCH BRACKET	1	EA	
15	PJ030010	SELECTOR SWITCH (3-POSITION)VEDO205	1	EA	
16	PJ030001	SELECTOR SWITCH (8-POSITION) VDSC	1	EA	
17	PS500033	SUB TO PS500033 - SELF CLEAN THERMOSTAT	1	EA	
18	PE050213	PRO 120V DIGITAL CLOCK	1	EA	
19	PJ030025	5 POS SELECTOR SWITCH	1	EA	
20	H91010134	CONTROL PANEL MTG ASSY 30"	1	EA	NO LONGER AVAILABLE



Item	Part No.	Name	Qty	Uom	NOTES
21	B92010130	CONTROL PANEL 30	1	EA	
Not Shown	C92010130BK	CTRL PANEL 30 *BK* SLK. SC.	1	EA	NO LONGER AVAILABLE
Not Shown	C92010130WH	CTRL PANEL 30 *WH* SLK. SC.	1	EA	NO LONGER AVAILABLE, Not available online / Call for pricing and availability
22	PA010110	DESIGNER OVEN SELECTOR KNOB REPL PA010092	1	EA	
Not Shown	PA010110PVD	DESIGNER OVEN SELECTOR KNOB-BRASS	1	EA	NO LONGER AVAILABLE
23	PA010194	DES. SELECTOR/THERMOSTAT KNOB	1	EA	
Not Shown	PA010091PVD	DESIGNER SELECTOR KNOB - BR	1	EA	
Not Shown	PA010095	DESIGNER SELECTOR KNOB - GRAY	1	EA	
Not Shown	PA010095PVD	DESIGNER SELECTOR KNOB-BR/GRAY	1	EA	
24	PB010196	DESIGNER THERMOSTAT KNOB	1	EA	
Not Shown	PB010196PVD	DESIGNER THERMOSTAT KNOB W/BRASS	1	EA	
Not Shown	PB010204	DESIGNER THERMOSTAT KNOB - GRAY	1	EA	
Not Shown	PB010204PVD	DESIGNER THERMOSTAT KNOB -BR/GRAY	1	EA	
25	PE050073	DESIGNER INDICATOR LT	1	EA	
26	PB010269	CLOCK BUTTON	1	EA	NO LONGER AVAILABLE
27	PB010222	DESIGNER BIT GENERATOR KNOB	1	EA	
Not Shown	PB010222PVD	DESIGNER BIT GENERATOR KNOB-BRASS	1	EA	NO LONGER AVAILABLE
28	PE050049	CLOCK/TIMER(ROBERTSHAW# 100-00550-01	1	EA	NO LONGER AVAILABLE
29	PJ030006	SWITCH (COOLING FAN)	1	EA	
30	PA010093	DESIGNER OVEN LT SWITCH KNOB	1	EA	
Not Shown	PA010093PVD	DESIGNER OVEN LT SWITCH KNOB-BRASS	1	EA	





Item	Part No.	Name	Qty	Uom	NOTES
31	G4008423	DESIGNER OVEN LIGHT SWITCH ASSY	1	EA	



Appendix A:Pages Index

FLOW CHART NEW BOARD BAKE 1
FLOW CHART NEW BOARD DOOR LOCK 2
FLOW CHART SELF CLEAN 3
LOWER DOOR ASSY 4
LOWER OVEN ASSY 5
REAR ASSY 6
TOP ASSY (10-24-04 TO 12-1-04) 7
UPPER DOOR ASSY 8
UPPER OVEN ASSY 9
UPPER UNIT ASSY 10



Appendix B:Parts Index

000623-000	4, 8	B92010130	7, 10
006072-000	4, 8	C92010130BK	7, 10
031449-000	5, 9	C92010130BT	7
A1002456	7	C92010130GG	7
A1006103	6	C92010130SG	7
A1006178	6	C92010130WH	7, 10
A1006179	6	E9102170	9
A1006195	4, 8	E9106134	7
A1006196	4, 8	G3007285	6
A20010135	10	G3207277BK	4
A2005777	6	G3207277BKBR	4
A2006016	4, 8	G3207277BT	4
A2006098	7	G3207277BTBR	4
A2006099	7	G3207277GG	4
A2006100	7, 10	G3207277GGBR	4
A2006101	7, 10	G3207277SG	4
A2006108	7	G3207277SGBR	4
A2006109	7, 10	G3207277SSBR	4
A2006122	7, 10	G3207277WH	4
A2006123	7, 10	G3207277WHBR	4
A2006142	7	G3207283BK	8
A2006144	7	G3207283BKBR	8
A2006182	6	G3207283BT	8
A2006184	7	G3207283BTBR	8
A2006186	7	G3207283GG	8
A2006193	5	G3207283GGBR	8
A2006199	6	G3207283SG	8
A2006321	6	G3207283SGBR	8
A2006322	6	G3207283SS	8
A2006323	6	G3207283SSBR	8
A2006324	6	G3207283WH	8
A2007908	10	G3207283WHBR	8
A2007956	10	G3207969SS	4
A2008581	6	G4008423	7, 10
A2008582	6	G50010118	4, 4, 8, 8
A2009884	10	G5008293BK	8
B1007234	5, 9	G5008293BT	8
B1007454	9	G5008293GG	8
B1007913	4, 8	G5008293SG	8
B2002167	5, 9	G5008293SS	8
		G5008293WH	8



G5008294BK	4	PB070094	4, 8
G5008294BT	4	PC020016	5, 9
G5008294GG	4	PD020032	4, 8
G5008294SG	4	PD030033	7
G5008294SS	4	PD040005	7
G5008294WH	4	PE030167	4, 8
G9007611BK	6	PE030167PVD	4, 8
G9007611BT	6	PE050005	9
G9007611GG	6	PE050049	10
G9007611SG	6	PE050059	5, 7
G9007611WH	6	PE050073	7, 10
H3006156	4, 8	PE050087	5, 10
H3006158	4, 8	PE050112	5, 10
H91010134	10	PE050213	10
H9106118	9	PE060057	4, 8
H9107467	5	PE070147	7, 10
PA010091PVD	7, 10	PE070148	7
PA010092PVD	7	PE070308	7
PA010093	7, 10	PE070319	7
PA010093PVD	7, 10	PE070786	10
PA010095	7, 10	PJ010001	5, 9
PA010095PVD	7, 10	PJ010002	5, 9
PA010110	7, 10	PJ010003	9
PA010110PVD	10	PJ010004	5, 9
PA010194	7, 10	PJ030001	7, 10
PB010196	7, 10	PJ030002	7, 10
PB010196PVD	7, 10	PJ030006	5, 10
PB010204	7, 10	PJ030010	7, 10
PB010204PVD	7, 10	PJ030025	7, 10
PB010217	7	PM010014	5, 9
PB010217PVD	7	PM010029	7, 7
PB010221	7	PS500033	7, 10
PB010221PVD	7		
PB010222	10		
PB010222PVD	10		
PB010269	10		
PB020071	6		
PB040070	6		
PB060030	5, 9		
PB060044	5, 9		
PB070093	4, 8		