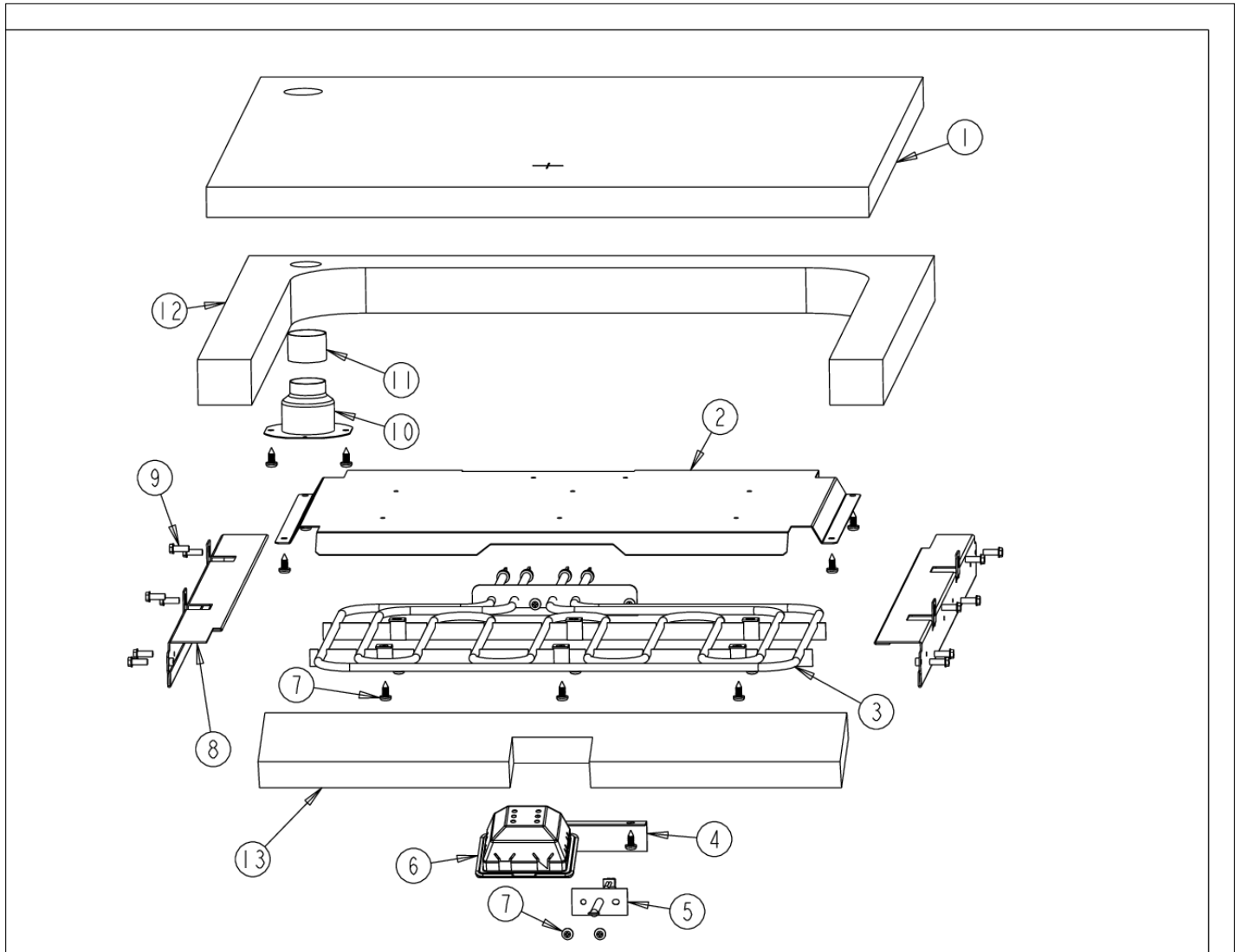


**DEDO130T**

BROIL ELEMENT AREA .....	1
CONTROL AREA .....	2
EXTERIOR OVEN CAVITY AREA .....	3
LOWER DOOR ASSEMBLY .....	4
LOWER OVEN CAVITY INTERIOR .....	5
LOWER OVEN LOWER CAVITY .....	6
MIDDLE UNIT AREA .....	7
REAR UNIT AREA .....	8
UPPER DOOR ASSEMBLY .....	9
UPPER OVEN CAVITY INTERIOR .....	10
UPPER OVEN LOWER CAVITY .....	11
UPPER UNIT AREA .....	12
WIRING .....	13
Appendix A:Pages Index .....	A
Appendix B:Parts Index .....	B



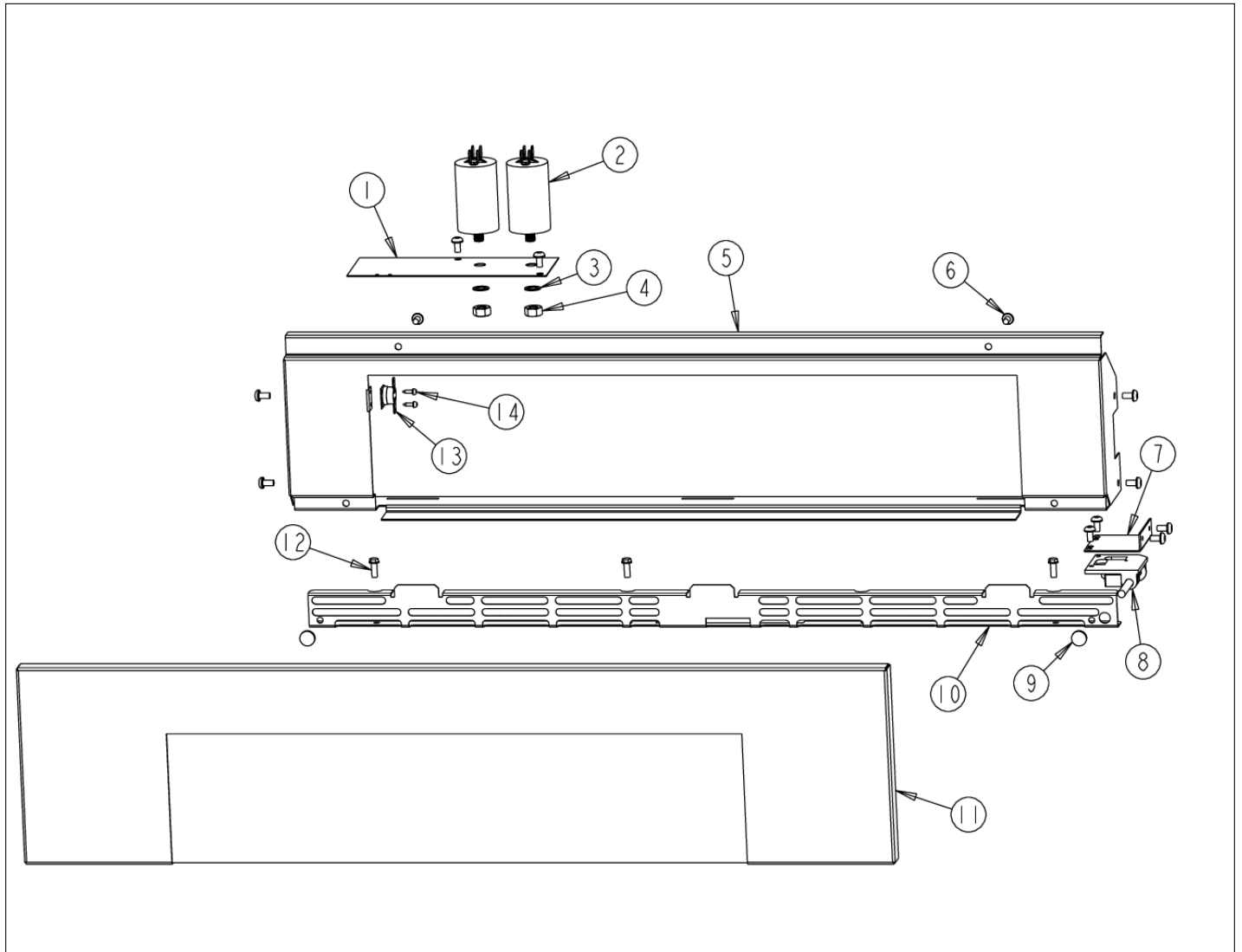
BROIL ELEMENT AREA





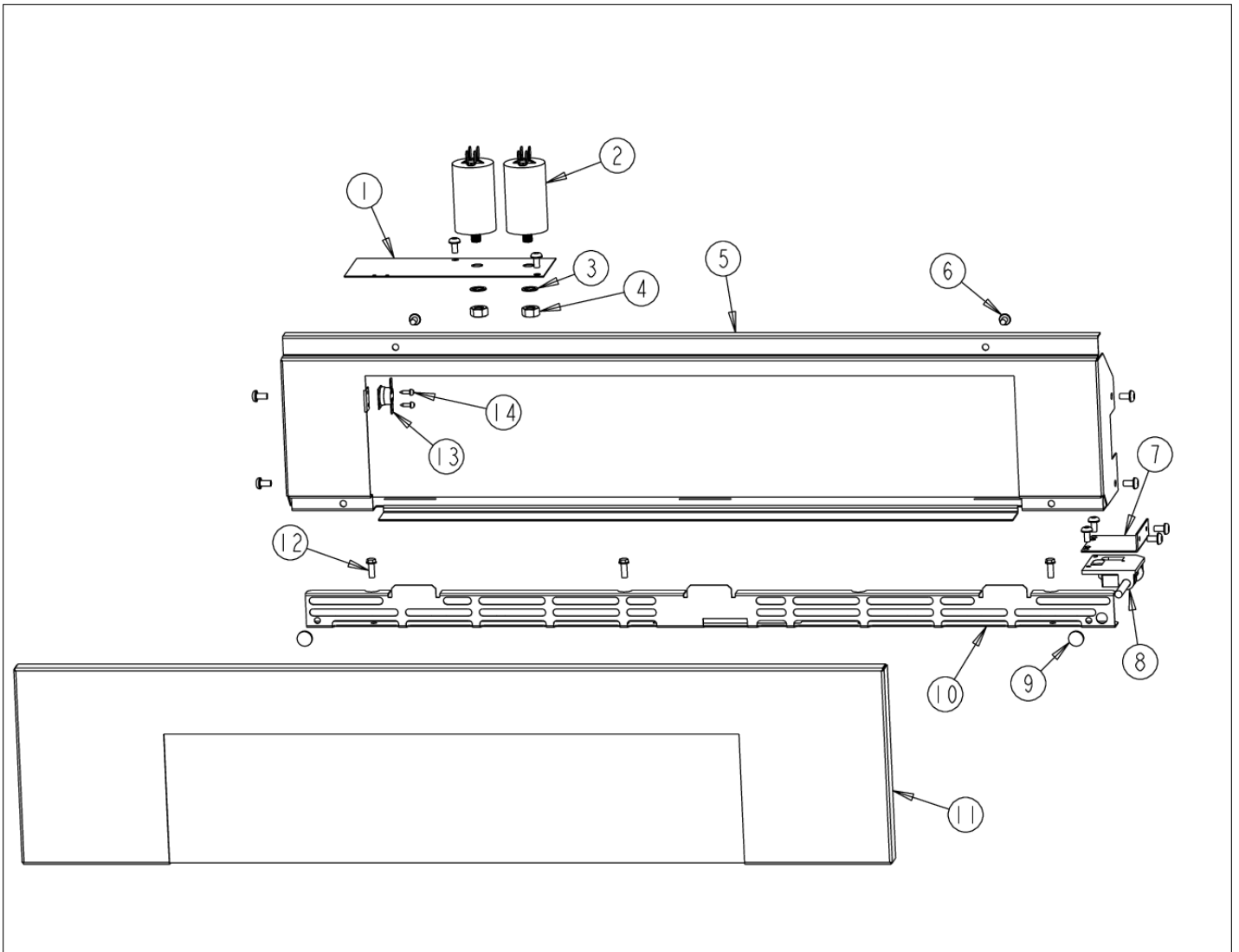
Item	Part No.	Name	Qty	Uom	NOTES
1	PB070308	Top Insulation	1	EA	
2	A20014021	REFLECTOR, BROIL	1	EA	
3	PJ010049	BROIL ELEMENT	1	EA	
4	A20014044	BROIL ELEMENT SHIELD	1	EA	
5	PE050206	RTD THERMOSTAT PROBE	1	EA	
6	020403-000	LAMP, OVEN, 120V/40W	1	EA	
7	PD020055	' #10 X 1/2" PAN PHIL. TEK.*SS*	1	EA	
8	A2009641	BRKT, TOP WRAPPER	1	EA	
9	PD020060	10 X 1/2" (5/16)HEX WSHER HD.(T)A	1	EA	
10	PM010014	SMOKE ELIMINATOR (VDSC)	1	EA	
11	PB020275	VENT TUBE	1	EA	
12	PB070305	Top Broil Insulation	1	EA	Not available online / Call for pricing and availability
13	PB070337	Liner Insulation	1	EA	

CONTROL AREA





Item	Part No.	Name	Qty	Uom	NOTES
1	A10014028	2 CAPACITOR BRACKET	1	EA	
Comments for Part Num. A10014028					
service@priorityappliance.com on Jan 17, 2019					
The capacitors are part # 036047-000, found by looking up a VEDO130. Confirmed - they're the same capacitor.					
2	036047-000	CAPACITOR, CONV MOTOR, INTL	1	EA	
3	PD040164	5/16 INTERNAL TOOTH LOCK WASHER TYPE A	1	EA	
4	PD030172	M8 X 1.25MM NUT	1	EA	
5	A20014024	30" TOUCH CONTROL MTG. PANEL	1	EA	NO LONGER AVAILABLE
6	PD020004	10X3/8PH.HD.TYPE 25 REPL PD040125	1	EA	
7	A20012649	DOOR SWITCH BRACKET	1	EA	
8	PE050208	DOOR SWITCH	1	EA	
9	PD040004	GROMMET BUMPER	1	EA	
10	C90014072BK	30" INLET GRILL	1	EA	
11	PS500028BK	30" SELECT TOUCH DOUBLE CONTROL PANEL ASSEMBLY - BK	1	EA	
11	PS500028BT	30" SELECT TOUCH DOUBLE CONTROL PANEL ASSEMBLY - BT	1	EA	NO LONGER AVAILABLE, Not available online / Call for pricing and availability
11	PS500028GG	30" SELECT TOUCH DOUBLE CONTROL PANEL ASSEMBLY - GG	1	EA	NO LONGER AVAILABLE, Not available online / Call for pricing and availability
11	PS500028SG	30" SELECT TOUCH DOUBLE CONTROL PANEL ASSEMBLY - SG	1	EA	NO LONGER AVAILABLE, Not available online / Call for pricing and availability
11	PS500028SS	30" SELECT TOUCH DOUBLE CONTROL PANEL ASSEMBLY - SS	1	EA	NO LONGER AVAILABLE
11	PS500028WH	30" SELECT TOUCH DOUBLE CONTROL PANEL ASSEMBLY - WH	1	EA	NO LONGER AVAILABLE
12	PD020060	10 X 1/2" (5/16)HEX WSHER HD.(T)A	1	EA	

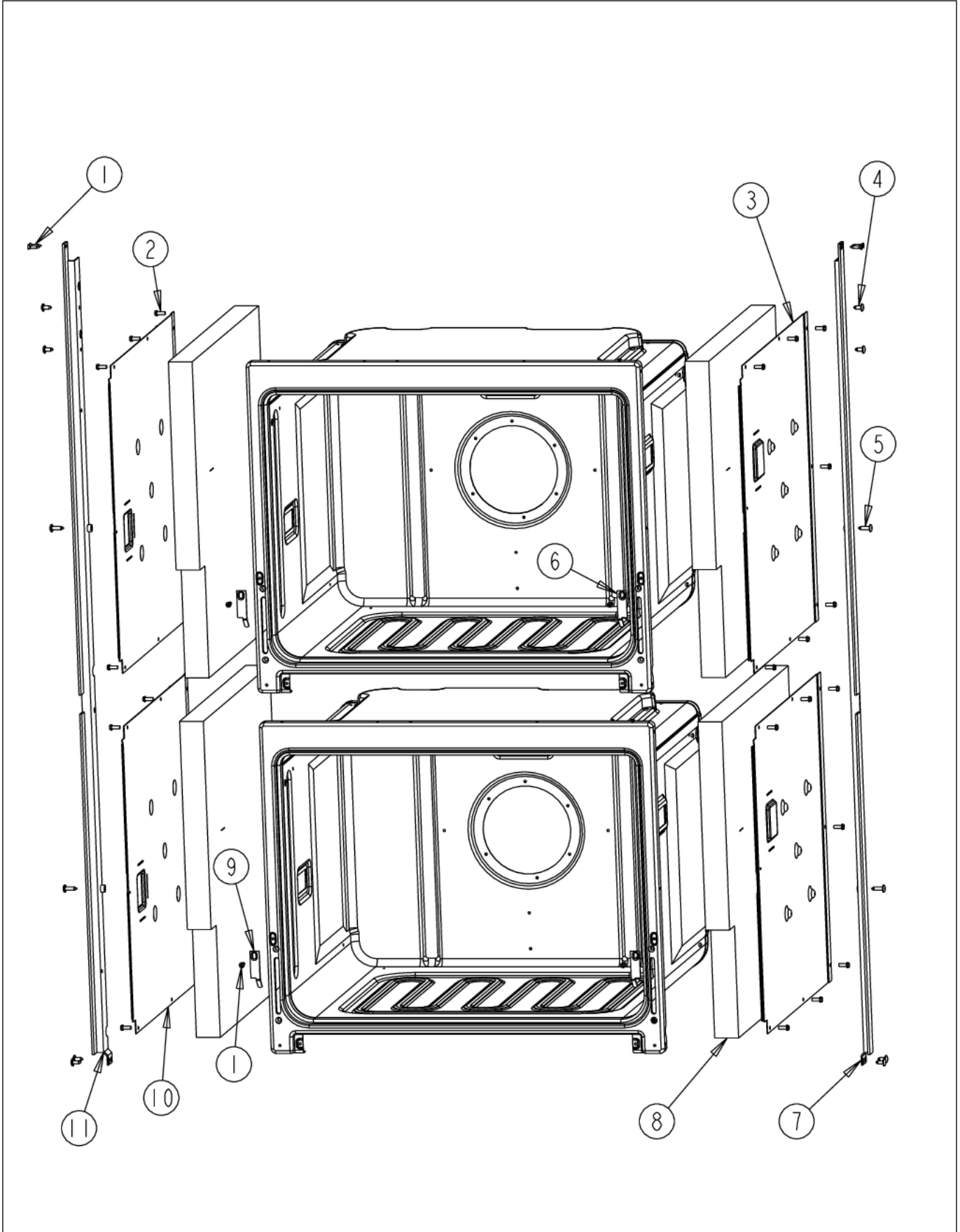






Item	Part No.	Name	Qty	Uom	NOTES
13	PJ030043	Bi Metal Thermostat - 150 Degrees	1	EA	
14	PD020013	TYPE "AB" #6 X 3/8 PH PAN HD. SMS	1	EA	

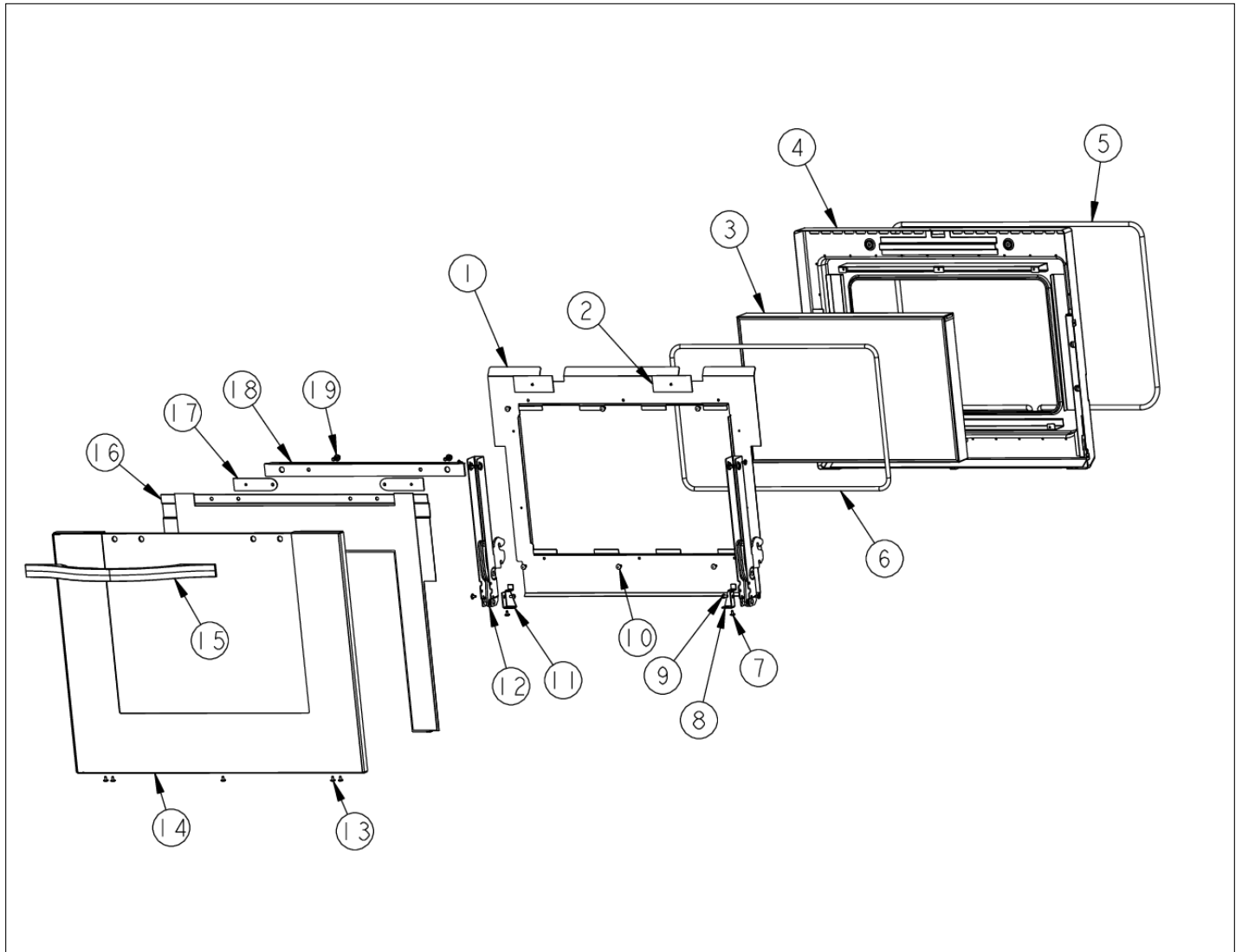
EXTERIOR OVEN CAVITY AREA





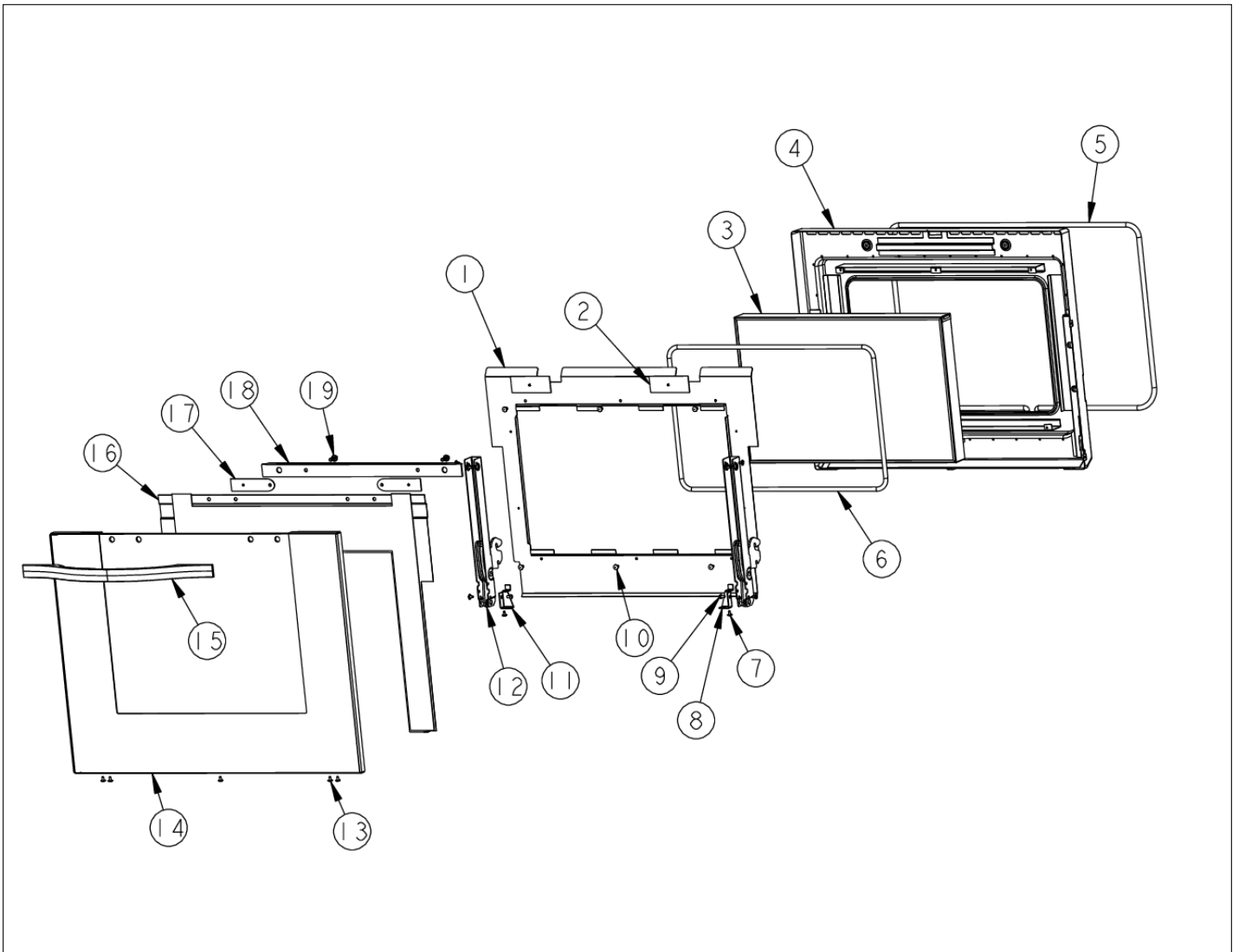
Item	Part No.	Name	Qty	Uom	NOTES
1	PD020061	' #8 X 3/4 FLAT HD TEK. *SS*	1	EA	
2	PD020060	10 X 1/2" (5/16)HEX WSHER HD.(T)A	1	EA	
3	A2009622	BRKT, TOP WRAPPER, RIGHT	1	EA	Not available online / Call for pricing and availability
4	PD020002	10 X 1/2 PH.TR.HD.SMS.	1	EA	
5	PD020014	10X3/4 PH TR HD SMS	1	EA	
6	B21010915	HINGE CLIP - RH	1	EA	
7	PE040283	DES. DOUBLE SIDE TRIM RH	1	EA	Not available online / Call for pricing and availability
8	PB070302	SIDE INSULATION	1	EA	
9	B21010916	HINGE CLIP - LH	1	EA	
10	A20012650	BRKT, TOP WRAPPER LEFT	1	EA	Not available online / Call for pricing and availability
11	PE040284	DES. DOUBLE SIDE TRIM LH	1	EA	NO LONGER AVAILABLE

LOWER DOOR ASSEMBLY



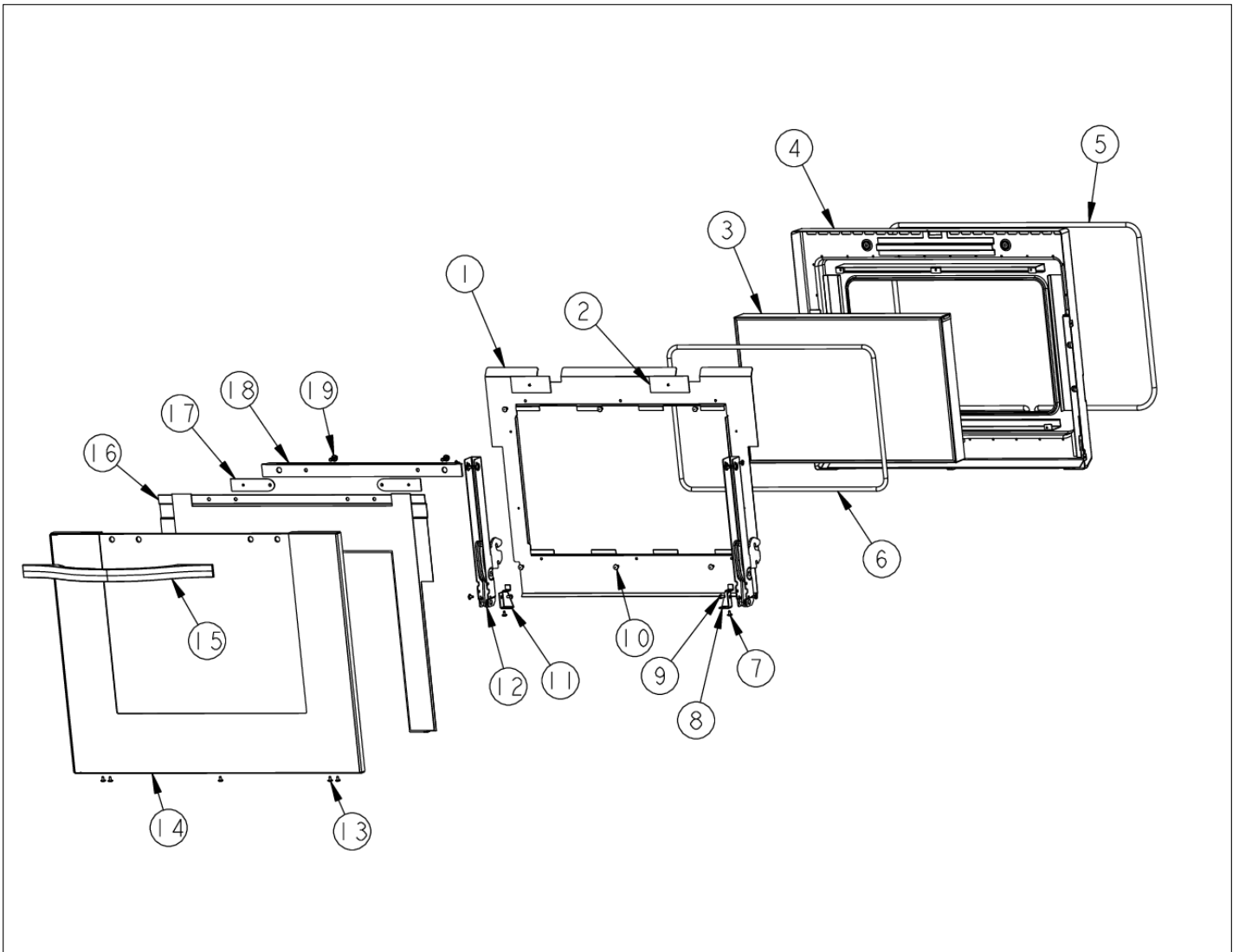


Item	Part No.	Name	Qty	Uom	NOTES
1	A2009632	PANEL, INULATION, INNER DOOR	1	EA	
2	PB070336	Door Bracket Insulation	1	EA	
3	PE060094	30 WINDOW PACK	1	EA	
4	G9109625	DOOR LINER PORC.	1	EA	
5	PB070246	30" DOOR GASKET	1	EA	
6	000594-000	BLACK FIBERGLASS ROPE 3/8	1	EA	
7	PD020063	SCREW-#8(A) X 3/8"PH WFR HD/BK OXID	1	EA	
8	A20012640	HINGE SUPPORT RH	1	EA	
9	PD020004	10X3/8PH.HD.TYPE 25 REPL PD040125	1	EA	
10	PD020002	10 X 1/2 PH.TR.HD.SMS.	1	EA	
11	A20012641	HINGE SUPPORT LH	1	EA	
12	006070-000	HINGE, DOOR, ASM, MANSFIELD, DES, GREEN SPRING	1	EA	
13	PD020032	SRW-8(A)X3/8"PH.WFR HD 7/16DIA*NICL	1	EA	
14	001452-002	30" DES DOOR SKIN KIT W/O LOGO - BK	1	EA	Not available online / Call for pricing and availability
14	001452-003	30" DES DOOR SKIN KIT W/O LOGO - BT	1	EA	NO LONGER AVAILABLE, Not available online / Call for pricing and availability
14	001452-005	30" DES DOOR SKIN KIT W/O LOGO - GG	1	EA	NO LONGER AVAILABLE
14	001452-004	30" DES DOOR SKIN KIT W/O LOGO - SG	1	EA	NO LONGER AVAILABLE, Not available online / Call for pricing and availability
14	001452-000	30" DES DOOR SKIN KIT W/O LOGO - SS	1	EA	
14	001452-006	30" DES DOOR SKIN KIT W/O LOGO - WH	1	EA	Not available online / Call for pricing and availability
15	PE030167	30" DOOR HANDLE	1	EA	
15	PE030167PVD	30" DOOR HANDLE PVD	1	EA	NO LONGER AVAILABLE





Item	Part No.	Name	Qty	Uom	NOTES
16	001497-000	Designer 30" Insulation Retainer Kit	1	EA	INCLUDES INSULATION
17	PC050002	DESIGNER DOOR HANDLE SPACER	1	EA	
18	PE040285	DESIGNER DOOR TRIM	1	EA	Not available online / Call for pricing and availability
19	PD020186	1/4"-20 X 3/4" HEX WASHER HEAD MS	1	EA	Not available online / Call for pricing and availability
NI	G32014008BK	30" DOOR ASSY W/O LOGO *BK*	1	EA	NO LONGER AVAILABLE
NI	G32014008BKBR	30" DOOR ASSY W/O LOGO *BKBR*	1	EA	NO LONGER AVAILABLE, Not available online / Call for pricing and availability
NI	G32014008BT	30" DOOR ASSY W/O LOGO *BT*	1	EA	NO LONGER AVAILABLE, Not available online / Call for pricing and availability
NI	G32014008BTBR	30" DOOR ASSY W/O LOGO *BTBR*	1	EA	NO LONGER AVAILABLE, Not available online / Call for pricing and availability
NI	G32014008GG	30" DOOR ASSY W/O LOGO *GG*	1	EA	NO LONGER AVAILABLE
NI	G32014008GGBR	30" DOOR ASSY W/O LOGO *GGBR*	1	EA	NO LONGER AVAILABLE, Not available online / Call for pricing and availability
NI	G32014008SG	30" DOOR ASSY W/O LOGO *SG*	1	EA	NO LONGER AVAILABLE, Not available online / Call for pricing and availability
NI	G32014008SGBR	30" DOOR ASSY W/O LOGO *SGBR*	1	EA	NO LONGER AVAILABLE, Not available online / Call for pricing and availability
NI	G32014008SS	30" DOOR ASSY W/O LOGO	1	EA	Not available online / Call for pricing and availability

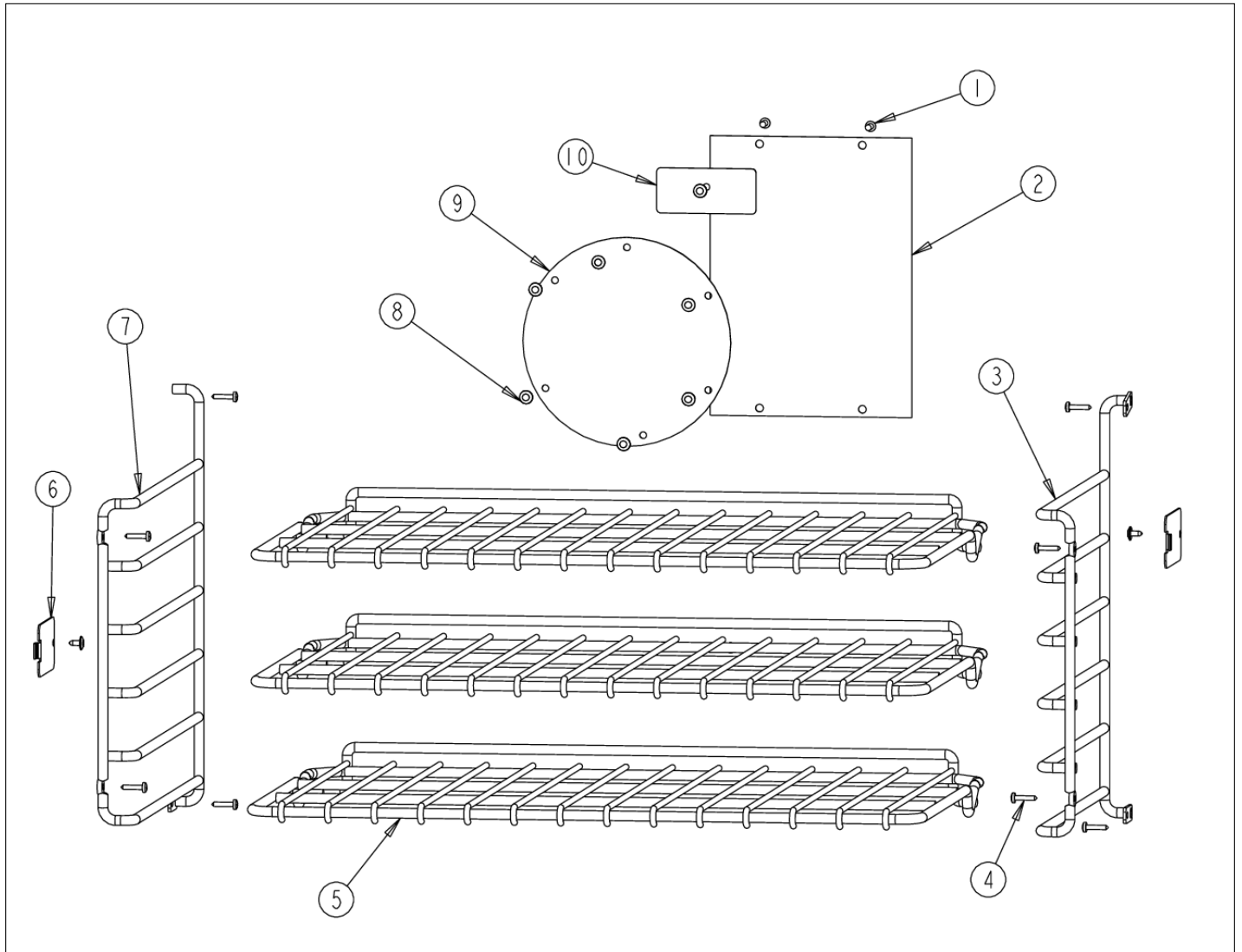






Item	Part No.	Name	Qty	Uom	NOTES
NI	G32014008SSBR	30" DOOR ASSY W/O LOGO *SSBR*	1	EA	NO LONGER AVAILABLE, Not available online / Call for pricing and availability
NI	G32014008WH	30" DOOR ASSY W/O LOGO *WH*	1	EA	NO LONGER AVAILABLE
NI	G32014008WHBR	COMPLETE DOOR ASSEMBLY - WHBR	1	EA	Not available online / Call for pricing and availability
NI	017736-000	WINDOW PACK INSULATION KIT	1	EA	

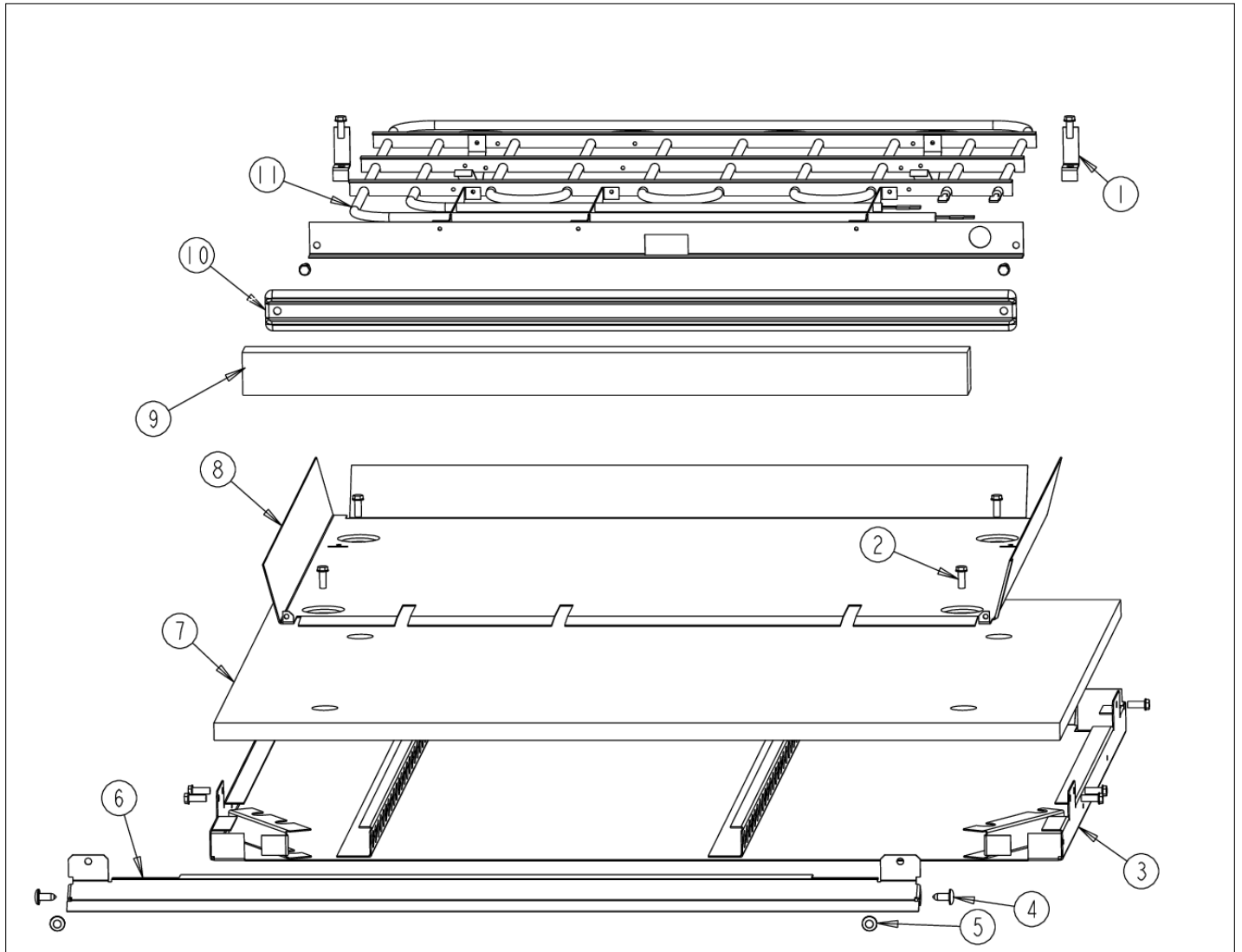
LOWER OVEN CAVITY INTERIOR





Item	Part No.	Name	Qty	Uom	NOTES
1	PD020060	10 X 1/2" (5/16)HEX WSHER HD.(T)A	1	EA	
2	PD020232	#8 X 3/4" PH PAN HEAD TEK SCREW (BLACK OXIDE)	1	EA	
3	PB060107	30" OVEN RACK	1	EA	
4	PD020063	SCREW-#8(A) X 3/8"PH WFR HD/BK OXID	1	EA	
5	PB060103	RACK SUPPORT RH	1	EA	
6	PB060104	RACK SUPPORT LH	1	EA	
7	A10012648	BACK COVER	1	EA	NO LONGER AVAILABLE, Not available online / Call for pricing and availability
8	E91012616	CONV. ELEMENT HOLE COVER	1	EA	NO LONGER AVAILABLE, Not available online / Call for pricing and availability
9	E91012615	CONVECTION HOLE COVER	1	EA	NO LONGER AVAILABLE, Not available online / Call for pricing and availability
10	E91012614	LIGHT HOLE COVER	1	EA	

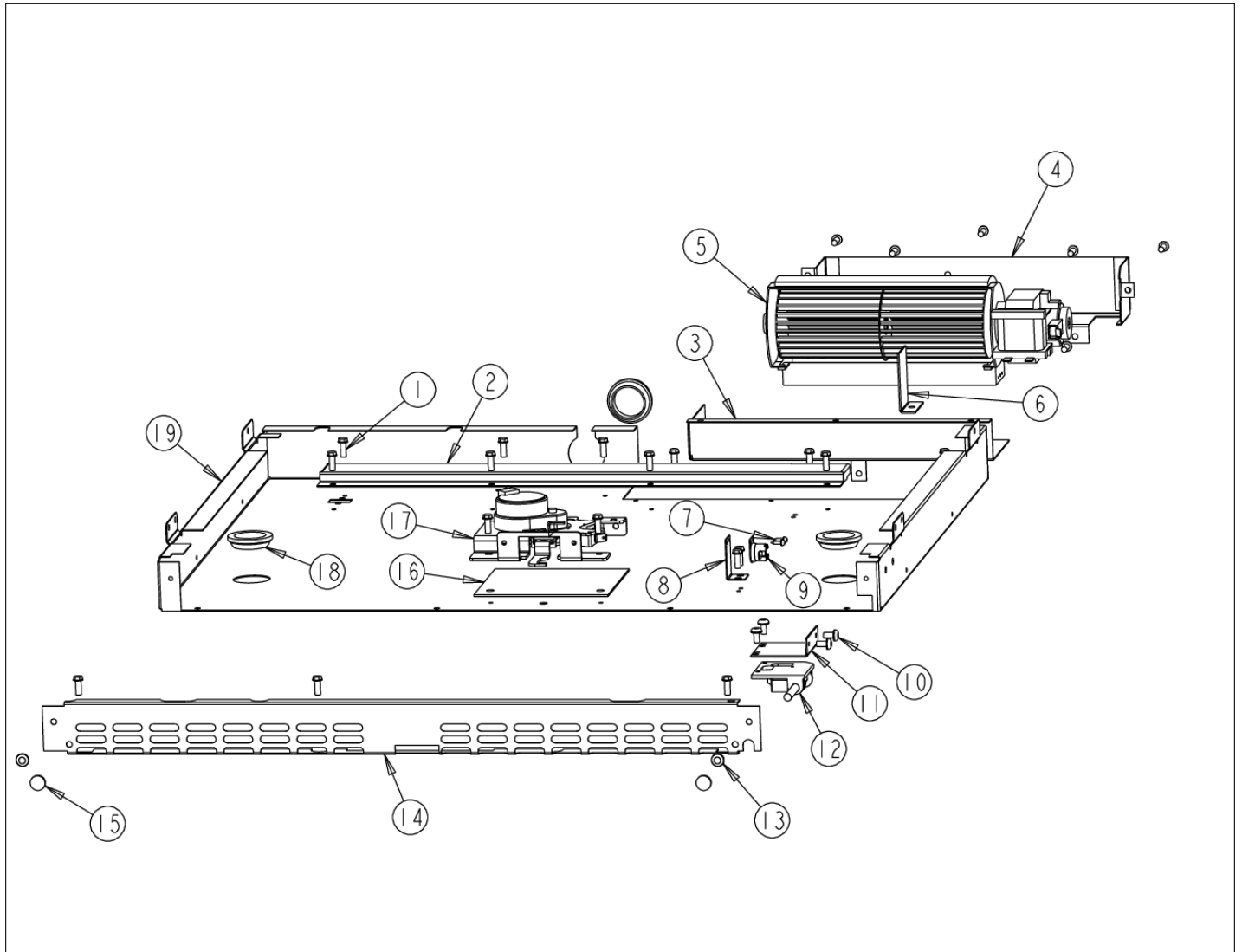
LOWER OVEN LOWER CAVITY





Item	Part No.	Name	Qty	Uom	NOTES
1	A2009696	HOLDER, BAKE ELEMENT	1	EA	
2	PD020060	10 X 1/2" (5/16)HEX WSHER HD.(T)A	1	EA	
3	G3009694	BASE MODULE ASSY 30"	1	EA	
4	PD020002	10 X 1/2 PH.TR.HD.SMS.	1	EA	
5	PD020063	SCREW-#8(A) X 3/8"PH WFR HD/BK OXID	1	EA	
6	C9009676BK	BOTTOM AIR DEFLECTOR 30"	1	EA	
7	PB070303	30" BOTTOM INSULATION	1	EA	
8	A2009612	ELEMENT, MTG TRAY	1	EA	
9	PB070309	BAKE ELEMENT INSULATION	1	EA	
10	E9109655	COVER, BAKE TRAY	1	EA	
11	PJ010048	BAKE ELEMENT	1	EA	

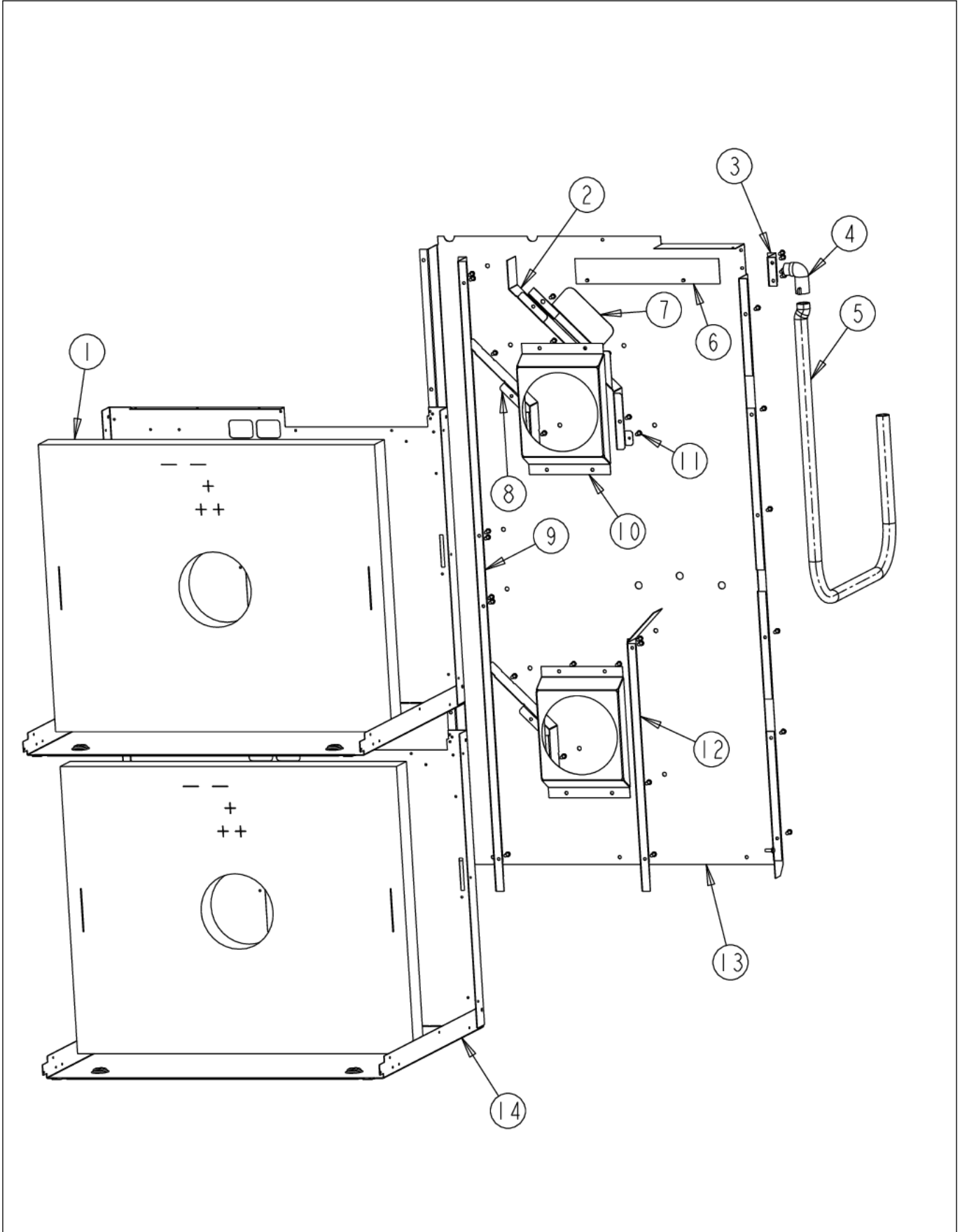
MIDDLE UNIT AREA





Item	Part No.	Name	Qty	Uom	NOTES
1	PD020060	10 X 1/2" (5/16)HEX WSHER HD.(T)A	1	EA	
2	A2009682	CATALYST EXHAUST, MIDDLE MODULE	1	EA	
3	A2009659	Blower Bracket	1	EA	
4	A3009660	BRACKET, BLOWER, DBL LOWER OVEN	1	EA	
5	PE050250	Blower	1	EA	
<p>Comments for Part Num. PE050250</p> <p>highendappsvc@gmail.com on Jan 28, 2019</p> <p>If you need to replace cooling fan for the model vgsc5486gss serial date code 031412, do not order this fan, this fan is larger and configured wrong. The correct fan is 007794-000. it is smaller.</p>					
6	A20014036	BOTTOM BLOWER DIVIDER	1	EA	
7	PD020013	TYPE "AB" #6 X 3/8 PH PAN HD. SMS	1	EA	
8	A20014089	DISC BRACKET	1	EA	
9	PJ030039	BI-METAL THERMOSTAT 275 DEGREES	1	EA	
10	PD020004	10X3/8PH.HD.TYPE 25 REPL PD040125	1	EA	
11	A20012649	DOOR SWITCH BRACKET	1	EA	
12	PE050208	DOOR SWITCH	1	EA	
13	PD020063	SCREW-#8(A) X 3/8"PH WFR HD/BK OXID	1	EA	
14	C9009680BK	INLET GRILL DBL LOWER OVEN 30"	1	EA	
15	PD040004	GROMMET BUMPER	1	EA	
16	PB070321	Lower Latch Insulation	1	EA	
17	013250-000	LATCH,DOOR,ASM,240V,GRID DLE LOCKOUT	1	EA	
18	PB070079	SILICONE EXTRUSION (DGSU)	1	EA	
19	A2009661	MODULE PAN 30"	1	EA	

REAR UNIT AREA

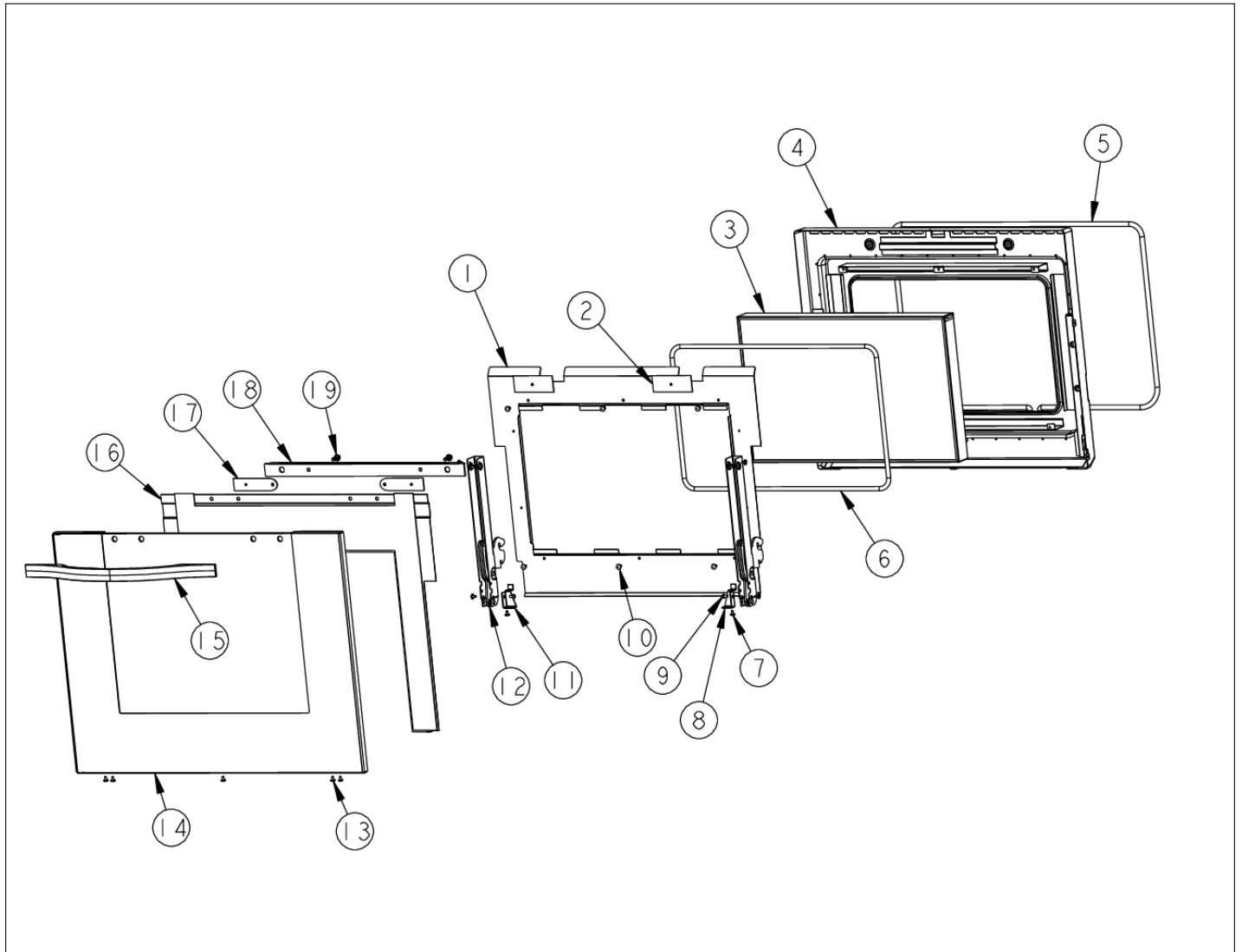




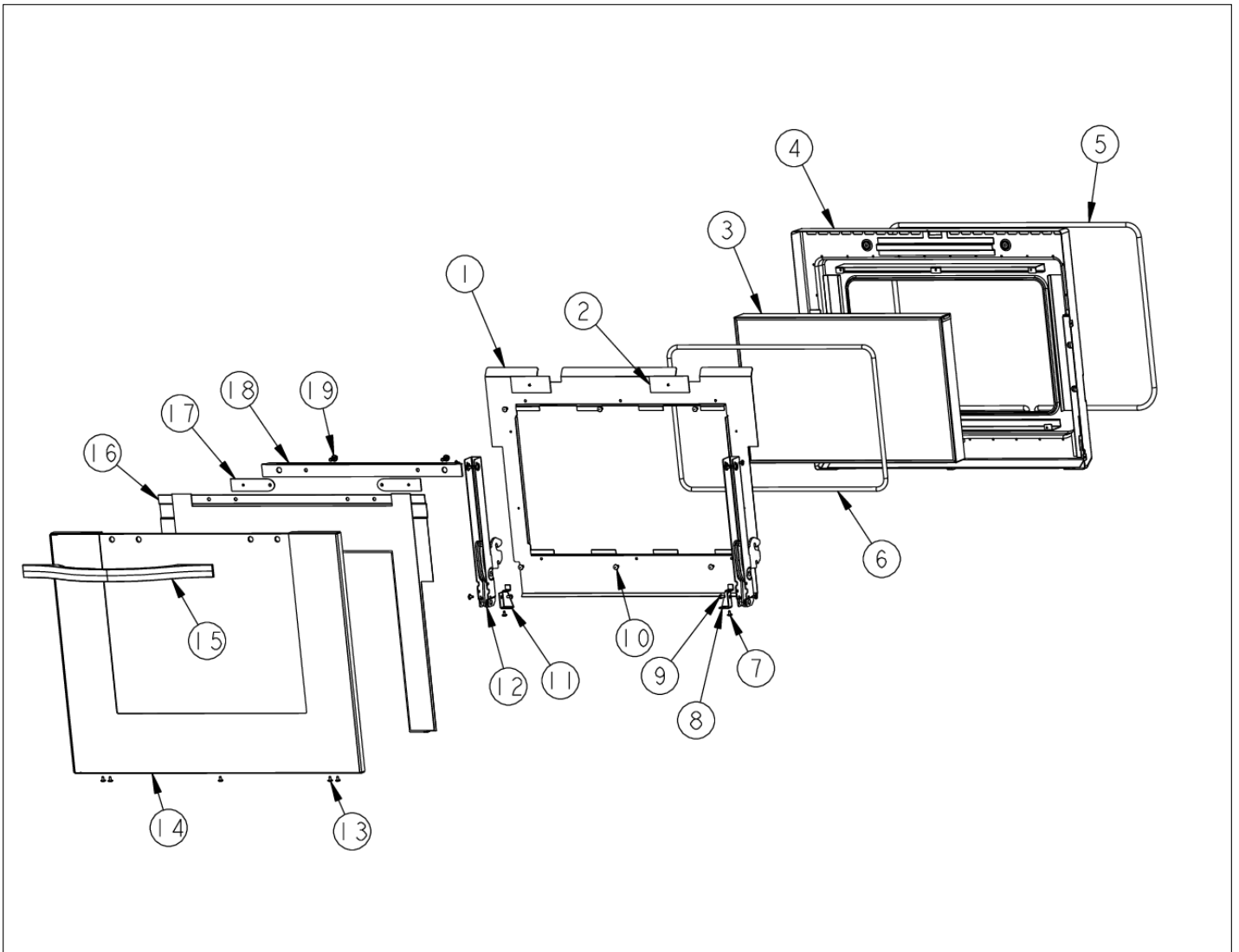


Item	Part No.	Name	Qty	Uom	NOTES
1	PB070304	30" BACK INSULATION	1	EA	NO LONGER AVAILABLE, Not available online / Call for pricing and availability
2	A21010918	BRACKET, AIR, CONVECTION MOTOR	1	EA	NO LONGER AVAILABLE, Not available online / Call for pricing and availability
3	A2009671	BRACKET, POWER CABLE	1	EA	
4	PB040070	CONDUIT FITTING (90 DEG)	1	EA	
5	PB020071	CONDUIT - FLEXIBLE (48")	1	EA	
6	A10010907	COVER, BLOWER	1	EA	
7	A20014052	WIRE SHIELD	1	EA	
8	A21010919	BRACKET, AIR, CONVECTION MOTOR	1	EA	NO LONGER AVAILABLE, Not available online / Call for pricing and availability
9	A2009684	REAR AIR DIVIDER, DOUBLE OVEN	1	EA	
10	A2009697	BRACKET, CONVECTION INSULATION	1	EA	
11	PD020060	10 X 1/2" (5/16)HEX WSHER HD.(T)A	1	EA	
12	050578-000	DUCT, AIR FLOW DIVIDER, WALL OVEN ASSY	1	EA	
13	A2009683	PANEL, REAR	1	EA	NO LONGER AVAILABLE, Not available online / Call for pricing and availability
14	A2009620	BASE, BACK WRAPPER	1	EA	

UPPER DOOR ASSEMBLY



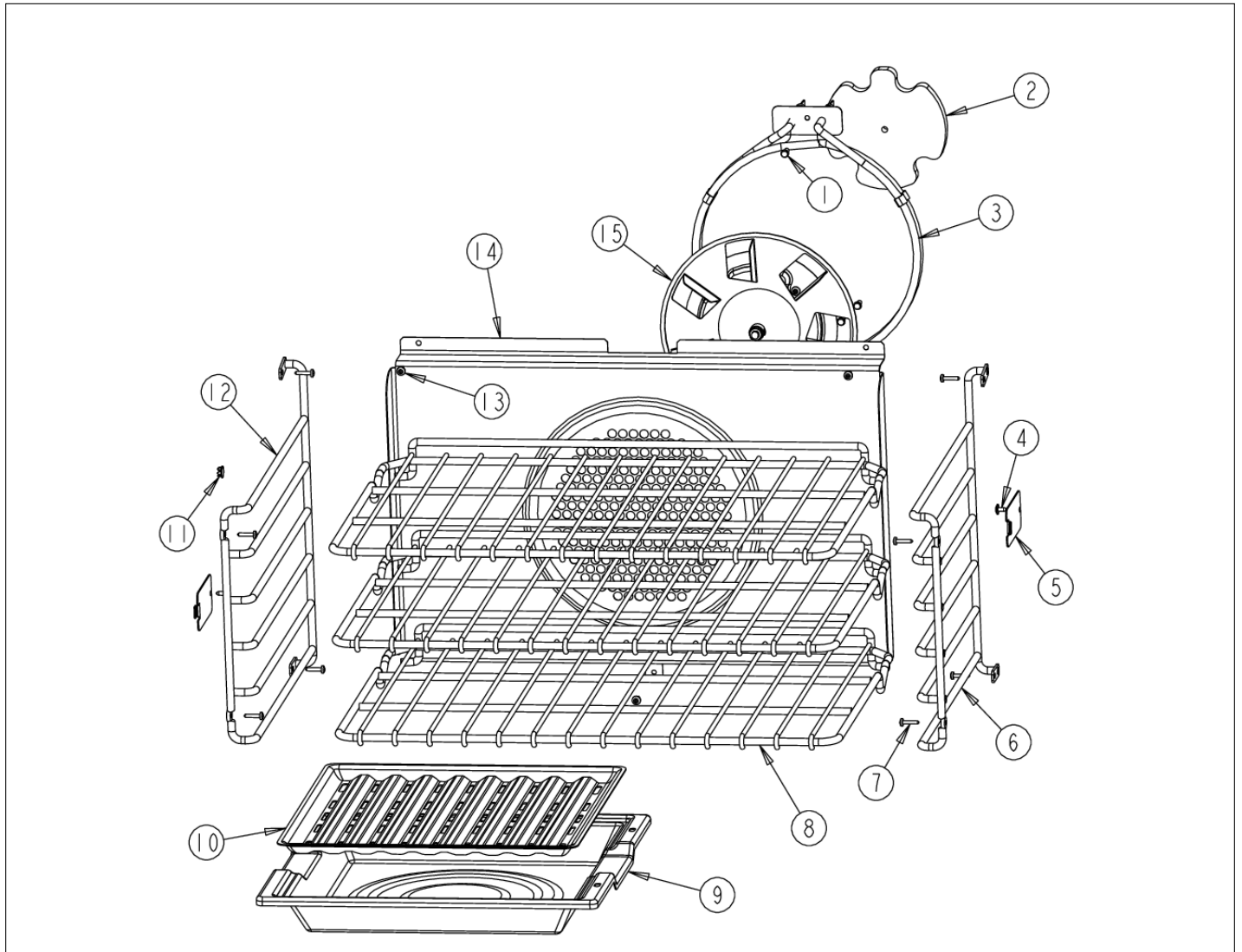
Item	Part No.	Name	Qty	Uom	NOTES
1	A2009632	PANEL, INULATION, INNER DOOR	1	EA	
2	PB070336	Door Bracket Insulation	1	EA	
3	PE060094	30 WINDOW PACK	1	EA	
4	G9109625	DOOR LINER PORC.	1	EA	
5	PB070246	30" DOOR GASKET	1	EA	
6	000594-000	BLACK FIBERGLASS ROPE 3/8	1	EA	
7	PD020063	SCREW-#8(A) X 3/8"PH WFR HD/BK OXID	1	EA	
8	A20012640	HINGE SUPPORT RH	1	EA	
9	PD020004	10X3/8PH.HD.TYPE 25 REPL PD040125	1	EA	
10	PD020002	10 X 1/2 PH.TR.HD.SMS.	1	EA	
11	A20012641	HINGE SUPPORT LH	1	EA	
12	006070-000	HINGE, DOOR, ASM, MANSFIELD, DES, GREEN SPRING	1	EA	
13	PD020032	SRW-8(A)X3/8"PH.WFR HD 7/16DIA*NICL	1	EA	
14	001451-002	30" DES DOOR SKIN KIT W/LOGO - BK	1	EA	
14	001451-003	30" DES DOOR SKIN KIT W/LOGO - BT	1	EA	NO LONGER AVAILABLE
14	001451-005	30" DES DOOR SKIN KIT W/LOGO - GG	1	EA	NO LONGER AVAILABLE
14	001451-004	30" DES DOOR SKIN KIT W/LOGO - SG	1	EA	NO LONGER AVAILABLE
14	001451-000	30" DES DOOR SKIN KIT W/LOGO - SS	1	EA	
14	001451-006	30" DES DOOR SKIN KIT W/LOGO - WH	1	EA	
15	PE030167	30" DOOR HANDLE	1	EA	
15	PE030167PVD	30" DOOR HANDLE PVD	1	EA	NO LONGER AVAILABLE
16	001497-000	Designer 30" Insulation Retainer Kit	1	EA	INCLUDES INSULATION
17	PC050002	DESIGNER DOOR HANDLE SPACER	1	EA	
18	PE040285	DESIGNER DOOR TRIM	1	EA	Not available online / Call for pricing and availability





Item	Part No.	Name	Qty	Uom	NOTES
19	PD020186	1/4"-20 X 3/4" HEX WASHER HEAD MS	1	EA	Not available online / Call for pricing and availability
NI	G32012750BK	30" DOOR ASSY W/LOGO *BK*	1	EA	NO LONGER AVAILABLE
NI	G32012750BKBR	30" DOOR ASSY W/LOGO *BKBR*	1	EA	NO LONGER AVAILABLE, Not available online / Call for pricing and availability
NI	G32012750BT	30" DOOR ASSY W/LOGO *BT*	1	EA	NO LONGER AVAILABLE, Not available online / Call for pricing and availability
NI	G32012750BTBR	30" DOOR ASSY W/LOGO *BTBR*	1	EA	NO LONGER AVAILABLE, Not available online / Call for pricing and availability
NI	G32012750GG	30" DOOR ASSY W/LOGO *GG*	1	EA	NO LONGER AVAILABLE
NI	G32012750GGBR	30" DOOR ASSY W/LOGO *GGBR*	1	EA	NO LONGER AVAILABLE, Not available online / Call for pricing and availability
NI	G32012750SG	30" DOOR ASSY W/LOGO *SG*	1	EA	NO LONGER AVAILABLE
NI	G32012750SGBR	30" DOOR ASSY W/LOGO *SGBR*	1	EA	NO LONGER AVAILABLE, Not available online / Call for pricing and availability
NI	G32012750SS	30" DOOR ASSY W/LOGO	1	EA	
NI	G32012750SSBR	COMPLETE DOOR ASSEMBLY - SSBR	1	EA	
NI	G32012750WH	30" DOOR ASSY W/LOGO *WH*	1	EA	NO LONGER AVAILABLE
NI	G32012750WHBR	COMPLETE DOOR ASSEMBLY - WHBR	1	EA	Not available online / Call for pricing and availability
NI	017736-000	WINDOW PACK INSULATION KIT	1	EA	

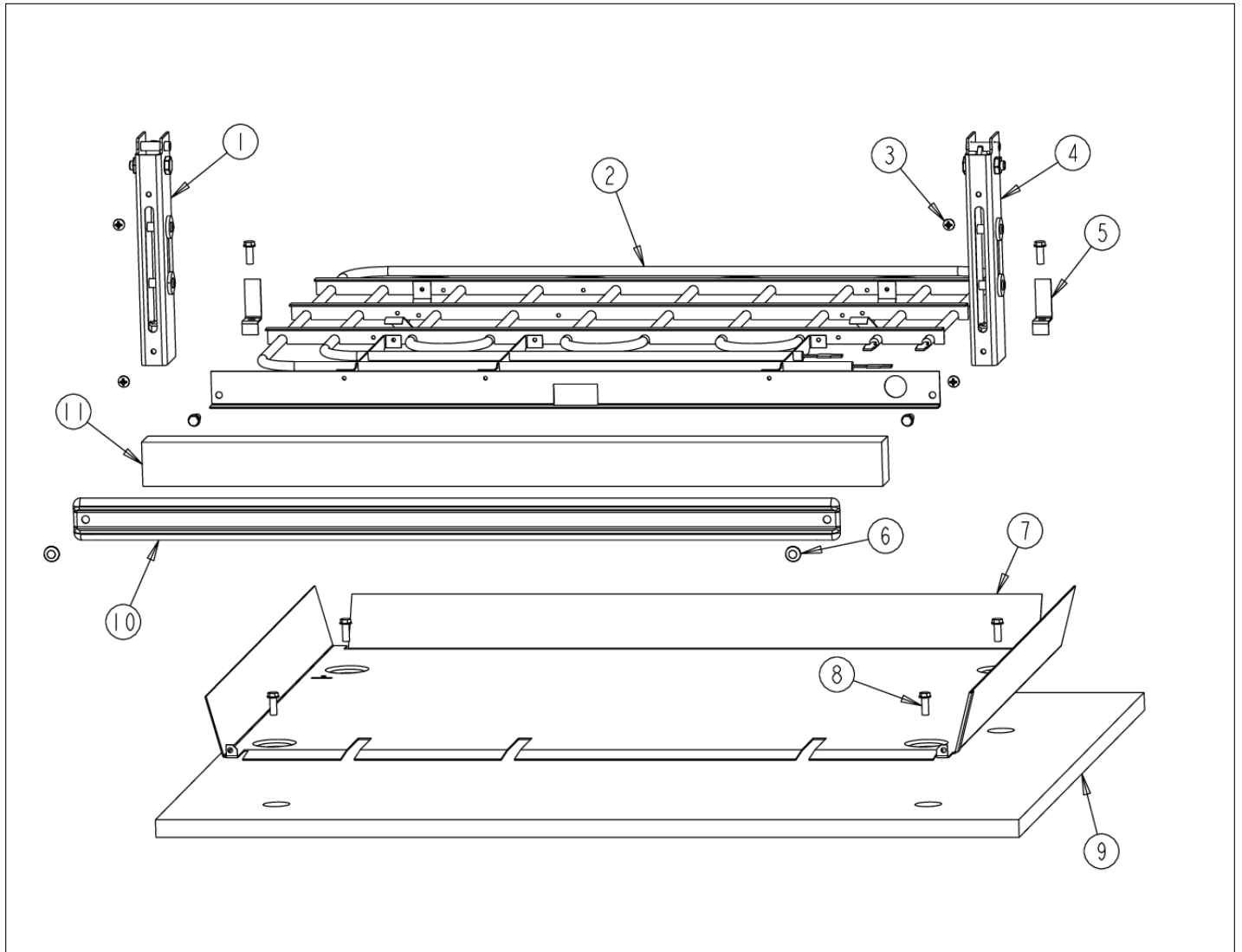
UPPER OVEN CAVITY INTERIOR





Item	Part No.	Name	Qty	Uom	NOTES
1	PD020060	10 X 1/2" (5/16)HEX WSHER HD.(T)A	1	EA	
2	PB070312	CONVECTION MOTOR MTG. PLATE INSULATION	1	EA	
3	PJ010047	CONVECTION ELEMENT	1	EA	
4	PD020063	SCREW-#8(A) X 3/8"PH WFR HD/BK OXID	1	EA	
5	E91012614	LIGHT HOLE COVER	1	EA	
6	PB060103	RACK SUPPORT RH	1	EA	
7	PD020232	#8 X 3/4" PH PAN HEAD TEK SCREW (BLACK OXIDE)	1	EA	
8	PB060107	30" OVEN RACK	1	EA	
9	E9107933	BROILER PAN	1	EA	
10	E9107934	BROILER PAN INSERT - NLA	1	EA	
11	E91014053	PORCELAIN 25/64" HOLE PLUG	1	EA	Not available online / Call for pricing and availability
12	PB060104	RACK SUPPORT LH	1	EA	
13	PD020055	' #10 X 1/2" PAN PHIL. TEK.*SS*	1	EA	
14	G91013598	30" BAFFLE ASSEMBLY	1	EA	
15	G32014020	CONVECTION FAN ASSY	1	EA	

UPPER OVEN LOWER CAVITY

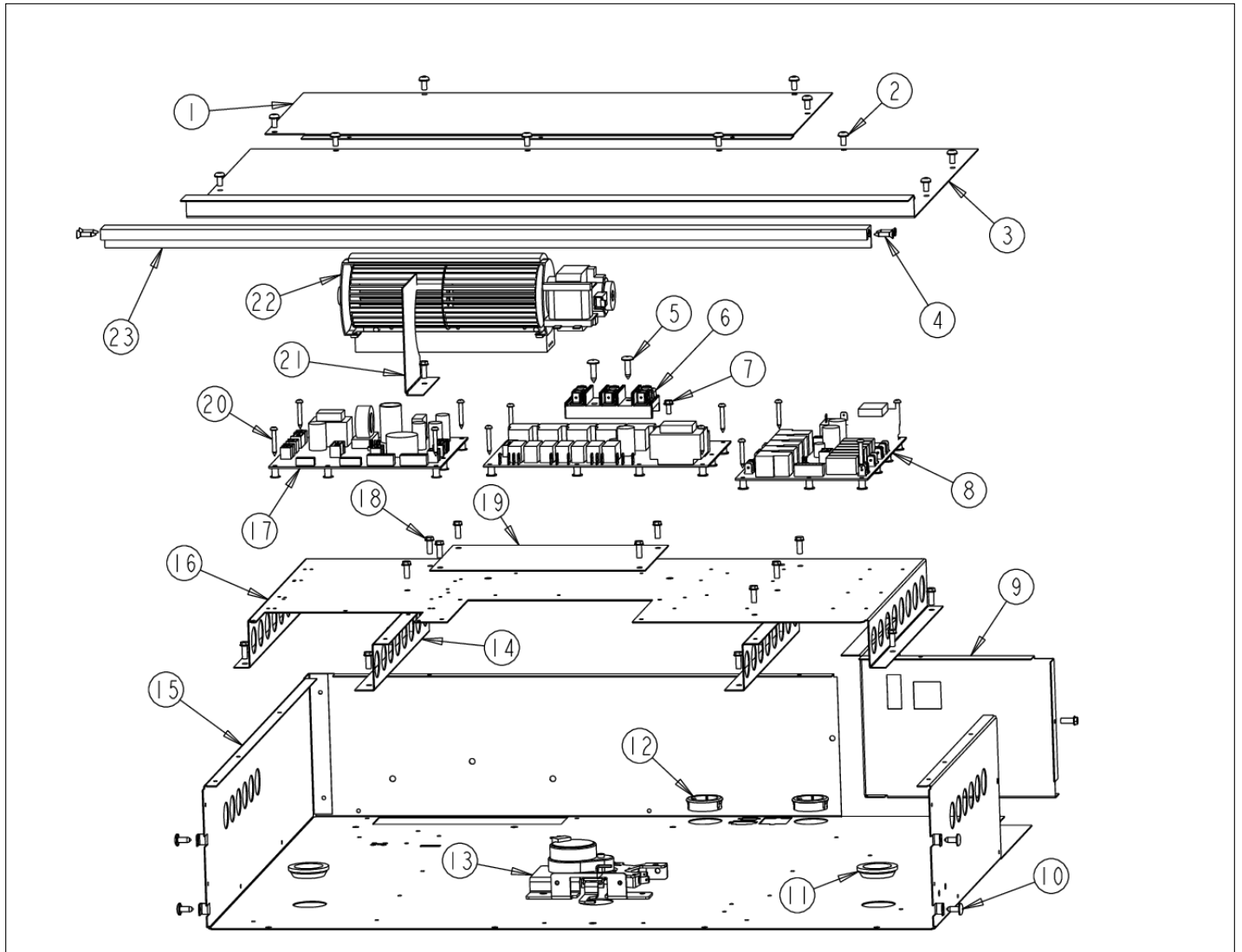




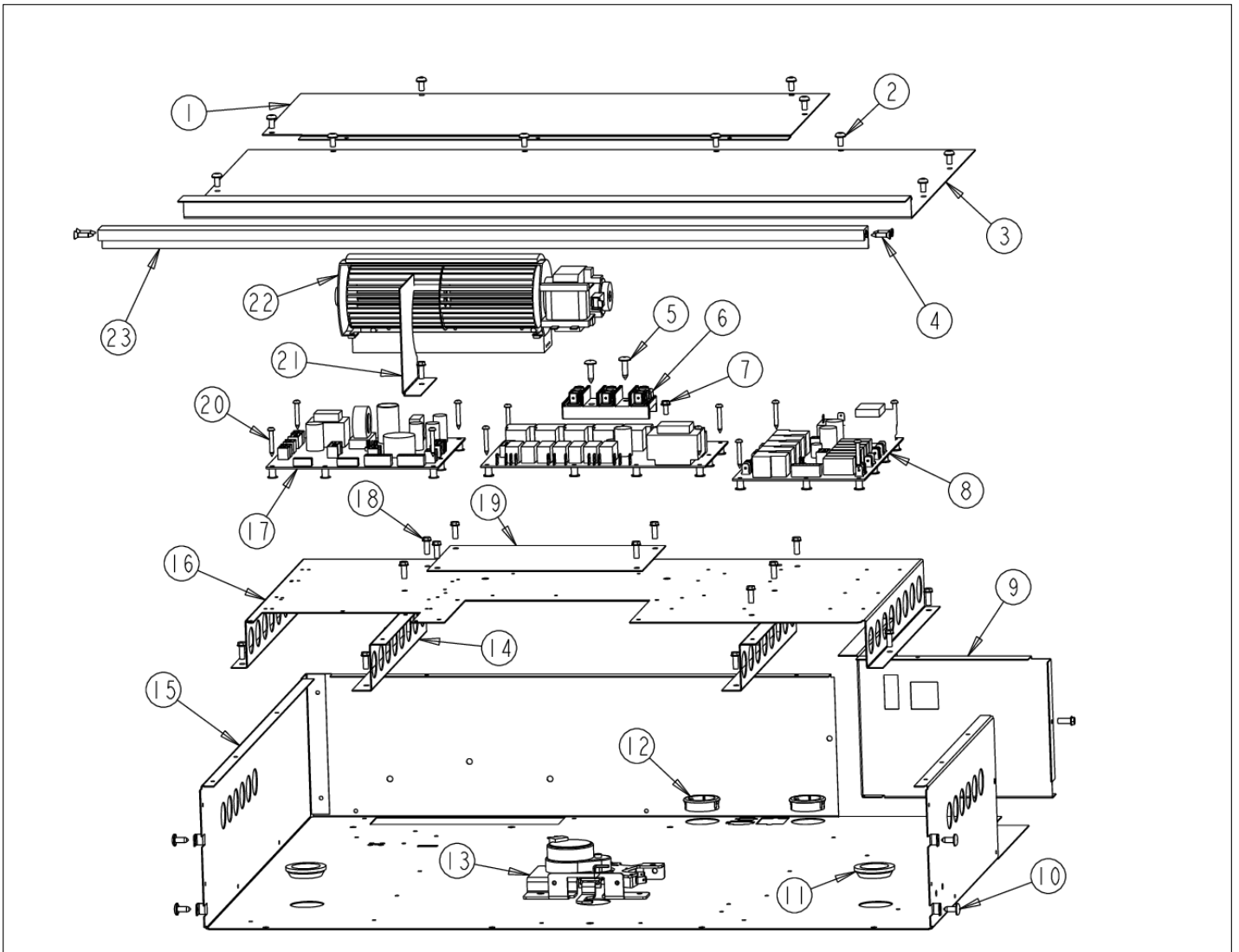


Item	Part No.	Name	Qty	Uom	NOTES
1	PC020247	HINGE POCKET RECEIVER MANSFIELD LH	1	EA	
2	PJ010048	BAKE ELEMENT	1	EA	
3	PD020062	#8-32 X 3/8 PHMS TYPE 1	1	EA	
4	PC020221	HINGE POCKET RECEIVER MANSFIELD RH	1	EA	
5	A2009696	HOLDER, BAKE ELEMENT	1	EA	
6	PD020063	SCREW-#8(A) X 3/8"PH WFR HD/BK OXID	1	EA	
7	A2009612	ELEMENT, MTG TRAY	1	EA	
8	PD020060	10 X 1/2" (5/16)HEX WSHER HD.(T)A	1	EA	
9	PB070303	30" BOTTOM INSULATION	1	EA	
10	E9109655	COVER, BAKE TRAY	1	EA	
11	PB070309	BAKE ELEMENT INSULATION	1	EA	

UPPER UNIT AREA



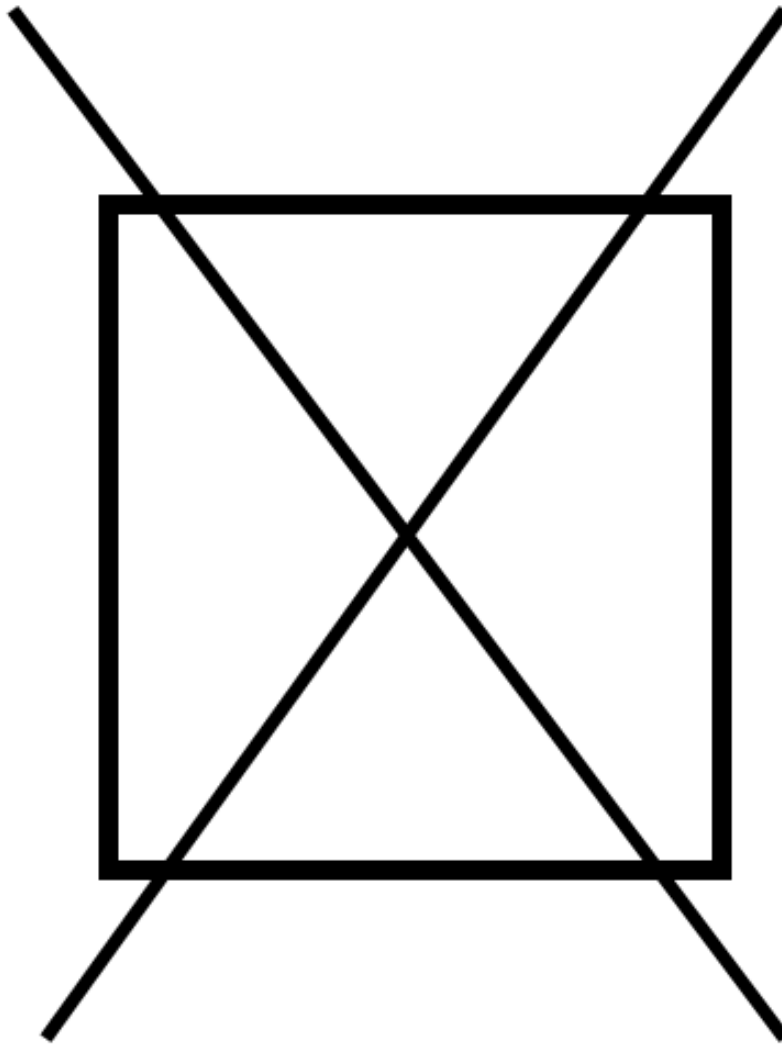
Item	Part No.	Name	Qty	Uom	NOTES
1	A20014049	30" REAR COVER	1	EA	
2	PD020004	10X3/8PH.HD.TYPE 25 REPL PD040125	1	EA	
3	A20014048	Front Cover	1	EA	NO LONGER AVAILABLE, Not available online / Call for pricing and availability
4	PD020061	' #8 X 3/4 FLAT HD TEK. *SS*	1	EA	
5	PD020014	10X3/4 PH TR HD SMS	1	EA	
6	PE070147	TERMINAL BLOCK (VDSC)	1	EA	
7	PD020010	10 X 3/8 GREEN GROUNDING SCREW	1	EA	
8	PE050234	RELAY BOARD	1	EA	
9	A20010934	BRACKET, MODULE PAN	1	EA	
10	PD020002	10 X 1/2 PH.TR.HD.SMS.	1	EA	
11	PB070079	SILICONE EXTRUSION (DGSU)	1	EA	
12	PD040152	SNAP BUSHING	1	EA	
13	013250-000	LATCH,DOOR,ASM,240V,GRID DLE LOCKOUT	1	EA	
14	A20010910	Support Bracket, Electronics Hat	1	EA	Not available online / Call for pricing and availability
15	A2009643	Top Module Pan	1	EA	
16	A2009672	Electronics Hat	1	EA	NO LONGER AVAILABLE, Not available online / Call for pricing and availability
17	PE050233	Control Board	1	EA	
18	PD020060	10 X 1/2" (5/16)HEX WSHER HD.(T)A	1	EA	
19	A10010911	Latch Cover	1	EA	
20	PD020185	Screw, 6 X 1" Pan Head	1	EA	
21	A2009667	REAR AIR DIVIDER	1	EA	
22	PE050250	Blower	1	EA	





Item	Part No.	Name	Qty	Uom	NOTES
<p>Comments for Part Num. PE050250</p> <p>highendappsvc@gmail.com on Jan 28, 2019</p> <p>If you need to replace cooling fan for the model vgsc5486gss serial date code 031412, do not order this fan, this fan is larger and configured wrong. The correct fan is 007794-000. it is smaller.</p>					
23	PE040280	30" DES. TOP TRIM	1	EA	NO LONGER AVAILABLE

NON  
ILLUSTRATED PART





Item	Part No.	Name	Qty	Uom	NOTES
1	A2009632	PANEL, INULATION, INNER DOOR	1	EA	
2	PB070336	Door Bracket Insulation	1	EA	
NI	PE070884	TOUCH CONTROL LOWER RELAY HARNESS	1	EA	
NI	PE070883	TOUCH CONTROL UPPER RELAY HARNESS	1	EA	



Appendix A:Pages Index

BROIL ELEMENT AREA ..... 1  
CONTROL AREA ..... 2  
EXTERIOR OVEN CAVITY AREA ..... 3  
LOWER DOOR ASSEMBLY ..... 4  
LOWER OVEN CAVITY INTERIOR ..... 5  
LOWER OVEN LOWER CAVITY ..... 6  
MIDDLE UNIT AREA ..... 7  
REAR UNIT AREA ..... 8  
UPPER DOOR ASSEMBLY ..... 9  
UPPER OVEN CAVITY INTERIOR ..... 10  
UPPER OVEN LOWER CAVITY ..... 11  
UPPER UNIT AREA ..... 12  
WIRING ..... 13





Appendix B:Parts Index

000594-000	4, 9	A2009622	3
001451-000	9	A2009632	4, 9, 13
001451-002	9	A2009641	1
001451-003	9	A2009643	12
001451-004	9	A2009659	7
001451-005	9	A2009661	7
001451-006	9	A2009667	12
001452-000	4	A2009671	8
001452-002	4	A2009672	12
001452-003	4	A2009682	7
001452-004	4	A2009683	8
001452-005	4	A2009684	8
001452-006	4	A2009696	6, 11
001497-000	4, 9	A2009697	8
006070-000	4, 9	A21010918	8
013250-000	7, 12	A21010919	8
017736-000	4, 9	A3009660	7
020403-000	1	B21010915	3
036047-000	2	B21010916	3
050578-000	8	C90014072BK	2
A10010907	8	C9009676BK	6
A10010911	12	C9009680BK	7
A10012648	5	E91012614	5, 10
A10014028	2	E91012615	5
A20010910	12	E91012616	5
A20010934	12	E91014053	10
A20012640	4, 9	E9107933	10
A20012641	4, 9	E9107934	10
A20012649	2, 7	E9109655	6, 11
A20012650	3	G3009694	6
A20014021	1	G32012750BK	9
A20014024	2	G32012750BKBR	9
A20014036	7	G32012750BT	9
A20014044	1	G32012750BTBR	9
A20014048	12	G32012750GG	9
A20014049	12	G32012750GGBR	9
A20014052	8	G32012750SG	9
A20014089	7	G32012750SGBR	9
A2009612	6, 11	G32012750SS	9
A2009620	8	G32012750SSBR	9
		G32012750WH	9



G32012750WHBR	9	PD020014	3, 12
G32014008BK	4	PD020032	4, 9
G32014008BKBR	4	PD020055	1, 10
G32014008BT	4	PD020060	1, 2, 3, 5, 6, 7, 8, 10, 11, 12
G32014008BTBR	4	PD020061	3, 12
G32014008GG	4	PD020062	11
G32014008GGBR	4	PD020063	4, 5, 6, 7, 9, 10, 11
G32014008SG	4	PD020185	12
G32014008SGBR	4	PD020186	4, 9
G32014008SS	4	PD020232	5, 10
G32014008SSBR	4	PD030172	2
G32014008WH	4	PD040004	2, 7
G32014008WHBR	4	PD040152	12
G32014020	10	PD040164	2
G91013598	10	PE030167	4, 9
G9109625	4, 9	PE030167PVD	4, 9
PB020071	8	PE040280	12
PB020275	1	PE040283	3
PB040070	8	PE040284	3
PB060103	5, 10	PE040285	4, 9
PB060104	5, 10	PE050206	1
PB060107	5, 10	PE050208	2, 7
PB070079	7, 12	PE050233	12
PB070246	4, 9	PE050234	12
PB070302	3	PE050250	7, 12
PB070303	6, 11	PE060094	4, 9
PB070304	8	PE070147	12
PB070305	1	PE070883	13
PB070308	1	PE070884	13
PB070309	6, 11	PJ010047	10
PB070312	10	PJ010048	6, 11
PB070321	7	PJ010049	1
PB070336	4, 9, 13	PJ030039	7
PB070337	1	PJ030043	2
PC020221	11	PM010014	1
PC020247	11	PS500028BK	2
PC050002	4, 9	PS500028BT	2
PD020002	3, 4, 6, 9, 12	PS500028GG	2
PD020004	2, 4, 7, 9, 12	PS500028SG	2
PD020010	12	PS500028SS	2
PD020013	2, 7	PS500028WH	2