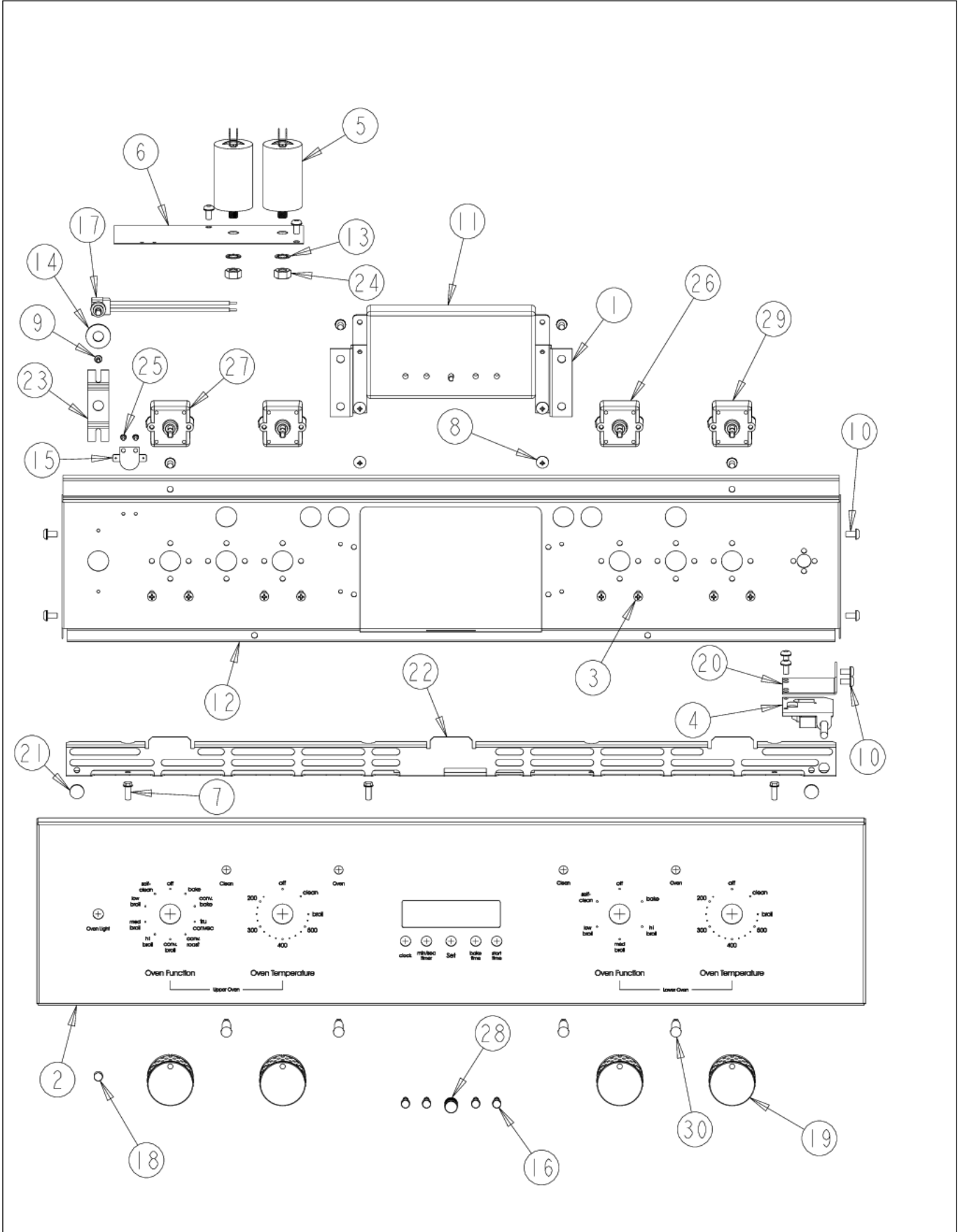


DEDO130

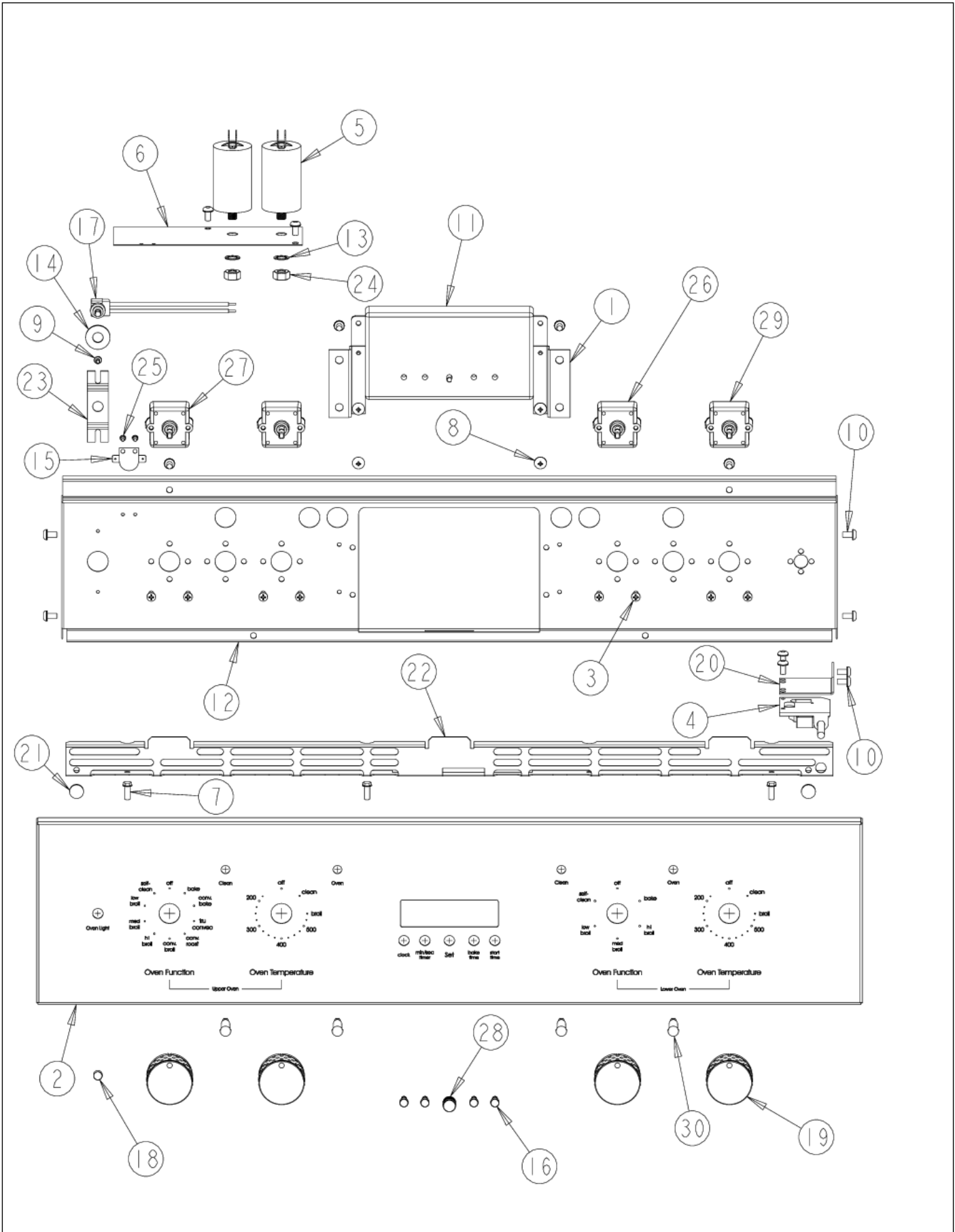
CONTROL AREA	1
LOWER CONTROL HARNESS	2
LOWER DOOR ASSEMBLY	3
LOWER LATCH HARNESS	4
LOWER OVEN LOWER OVEN CAVITY	5
LOWER OVEN MAIN OVEN CAVITY	6
MIDDLE UNIT AREA	7
OVEN EXTERIOR - UPPER OVEN	8
OVEN INTERIOR - UPPER OVEN	9
REAR UNIT AREA	10
SIMPLE HARNESSES 1	11
SIMPLE HARNESSES 2	12
UPPER CONTROL HARNESS	13
UPPER DOOR ASSEMBLY	14
UPPER OVEN CAVITY	15
UPPER OVEN LOWER OVEN CAVITY	16
UPPER UNIT AREA AFTER 7-20-06	17
UPPER UNIT AREA BEFORE 7-20-06	18
Appendix A:Pages Index	A
Appendix B:Parts Index	B

CONTROL AREA



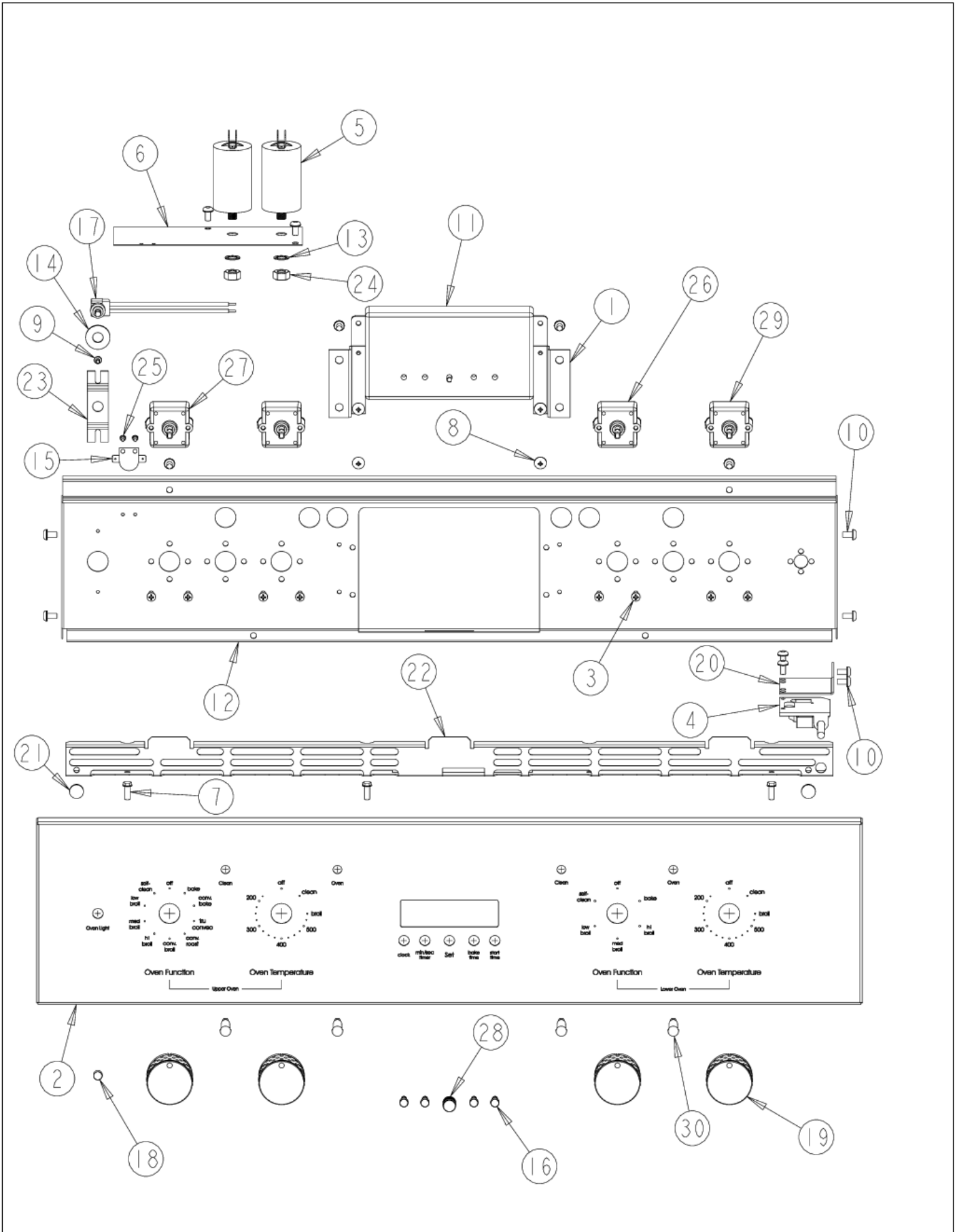


Item	Part No.	Name	Qty	Uom	NOTES
1	A20012638	CLOCK BRACKET	1	EA	NO LONGER AVAILABLE, Not available online / Call for pricing and availability
2	B92012625	30" PREM. DOUBLE CONTROL PNL.	1	EA	
Not Shown	C92012625BK	30" PREM. DOUBLE CONTROL PNL. *BK*	1	EA	NO LONGER AVAILABLE
Not Shown	C92012625BT	30" PREM. DOUBLE CONTROL PNL. *BT*	1	EA	NO LONGER AVAILABLE, Not available online / Call for pricing and availability
Not Shown	C92012625GG	30" PREM. DOUBLE CONTROL PNL. *GG*	1	EA	NO LONGER AVAILABLE, Not available online / Call for pricing and availability
Not Shown	C92012625SG	30" PREM. DOUBLE CONTROL PNL. *SG*	1	EA	NO LONGER AVAILABLE, Not available online / Call for pricing and availability
Not Shown	C92012625WH	30" PREM. DOUBLE CONTROL PNL. *WH*	1	EA	NO LONGER AVAILABLE, Not available online / Call for pricing and availability
3	PD020261	' #8-32X1/2" PH PANHEAD MACH. SCREW	1	EA	
4	PE050208	DOOR SWITCH	1	EA	
5	036047-000	CAPACITOR, CONV MOTOR, INTL	1	EA	
6	A10014028	2 CAPACITOR BRACKET	1	EA	
<p>Comments for Part Num. A10014028</p> <p>service@priorityappliance.com on Jan 17, 2019</p> <p>The capacitors are part # 036047-000, found by looking up a VEDO130. Confirmed - they're the same capacitor.</p>					
7	PD020060	10 X 1/2" (5/16)HEX WSHR HD.(T)A	1	EA	
8	PD010003	10-24 X 1/2 PH.TR.HD.SERD.M.S.	1	EA	
9	PD020006	' #6-32 X 1/4" PH.PAN HD. T(F)	1	EA	
10	PD020004	10X3/8PH.HD.TYPE 25 REPL PD040125	1	EA	





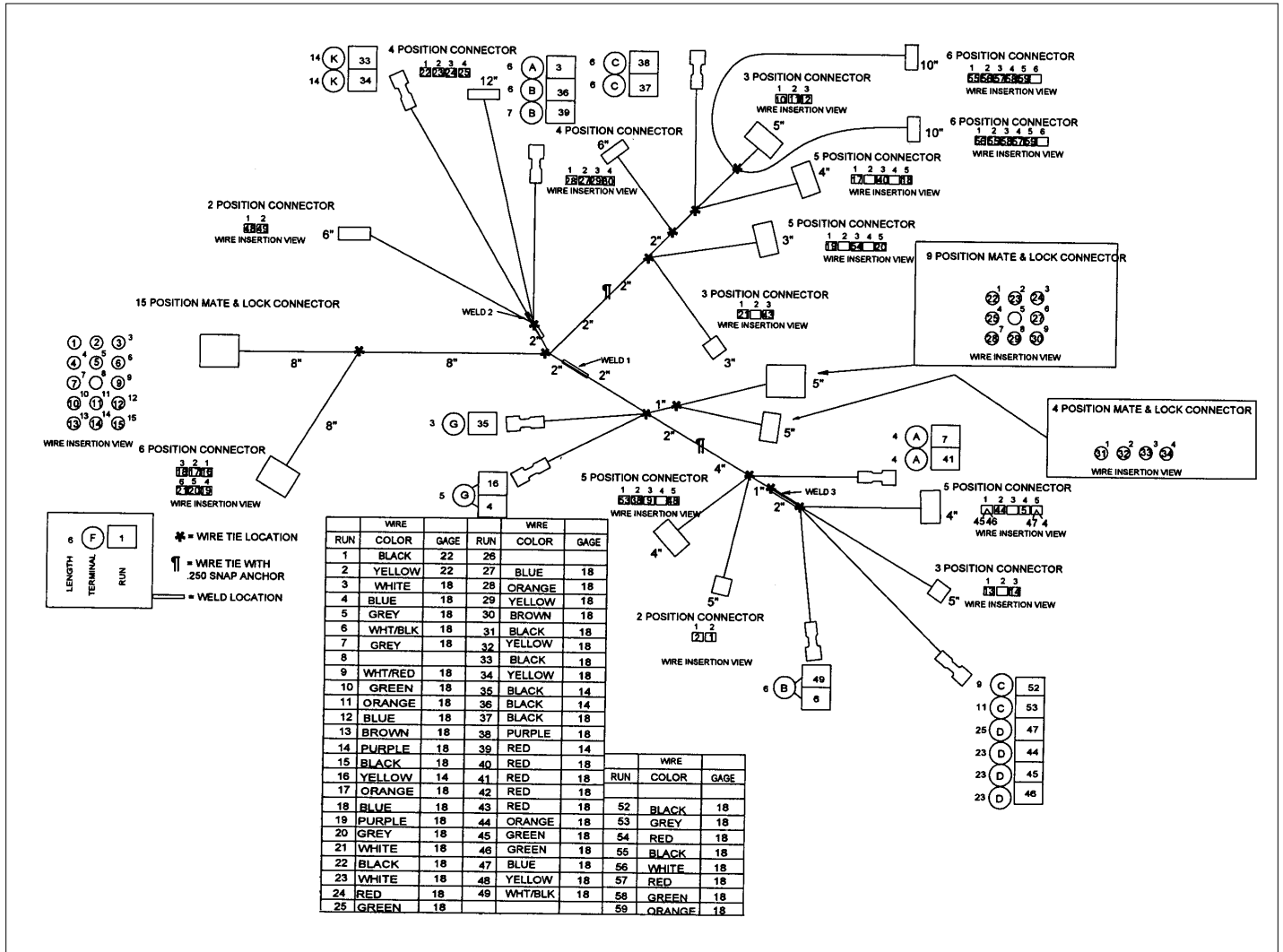
Item	Part No.	Name	Qty	Uom	NOTES
11	PE050214	CLOCK (DIGITAL 230V 50/60HZ)	1	EA	
12	A20012619	30" CONTROL MTG. PANEL	1	EA	
13	PD040164	5/16 INTERNAL TOOTH LOCK WASHER TYPE A	1	EA	
14	PD040160	3/8" STEEL WASHER	1	EA	
15	G50015486	DESIGNER LIMIT SWITCH KIT	1	EA	
Not Shown	NOTE	(BEFORE 07-24-06)		EA	
Not Shown	PJ030043	Bi Metal Thermostat - 150 Degrees	1	EA	
Not Shown	NOTE	(AFTER 07-24-06)		EA	
16	PB010315	DES. CLOCK BUTTON	1	EA	
17	G40015469	LIGHT SWITCH ASSEMBLY	1	EA	
18	PA010093	DESIGNER OVEN LT SWITCH KNOB	1	EA	
Not Shown	PA010093PVD	DESIGNER OVEN LT SWITCH KNOB-BRASS	1	EA	
19	PA010194	DES. SELECTOR/THERMOSTAT KNOB	1	EA	
Not Shown	PA010194PVD	DES. SELECTOR/THERMOSTAT KNOB-BRASS	1	EA	
Not Shown	PA010195	DES. SELECTOR/THERMOSTAT KNOB - GREY	1	EA	NO LONGER AVAILABLE
Not Shown	PA010195PVD	SELECTOR / THERMOSTAT KNOB - GR / BR	1	EA	Not available online / Call for pricing and availability
20	A20012649	DOOR SWITCH BRACKET	1	EA	
21	PD040004	GROMMET BUMPER	1	EA	
22	C90014072BK	30" INLET GRILL	1	EA	
23	A10014045	LIGHT SWITCH BRACKET	1	EA	
24	PD030172	M8 X 1.25MM NUT	1	EA	
25	PD020013	TYPE "AB" #6 X 3/8 PH PAN HD. SMS	1	EA	
26	PJ030034	SELECTOR, 6 POS	1	EA	
27	PJ030033	SELECTOR (10 POS)	1	EA	





Item	Part No.	Name	Qty	Uom	NOTES
28	PB010314	TEST DESIGNER BIT GENERATOR KNOB	1	EA	
Not Shown	PB010314PVD	TEST DESIGNER BIT GENERATOR KNOB-BRASS	1	EA	
29	PJ030035	THERMOSTAT	1	EA	
<p>Comments for Part Num. PJ030035</p> <p>parts@lvdistributes.com on Feb 7, 2018 this is not the correct part for this range it should be a 003225-000 Reply by JREXEC02@AOL.COM on Feb 27, 2018 003225-000 is an Induction Control.</p> <p>PJ030035 is the red colored thermostat for the Gas Range *****</p>					
30	PE050078	VECU POWER LIGHT	1	EA	

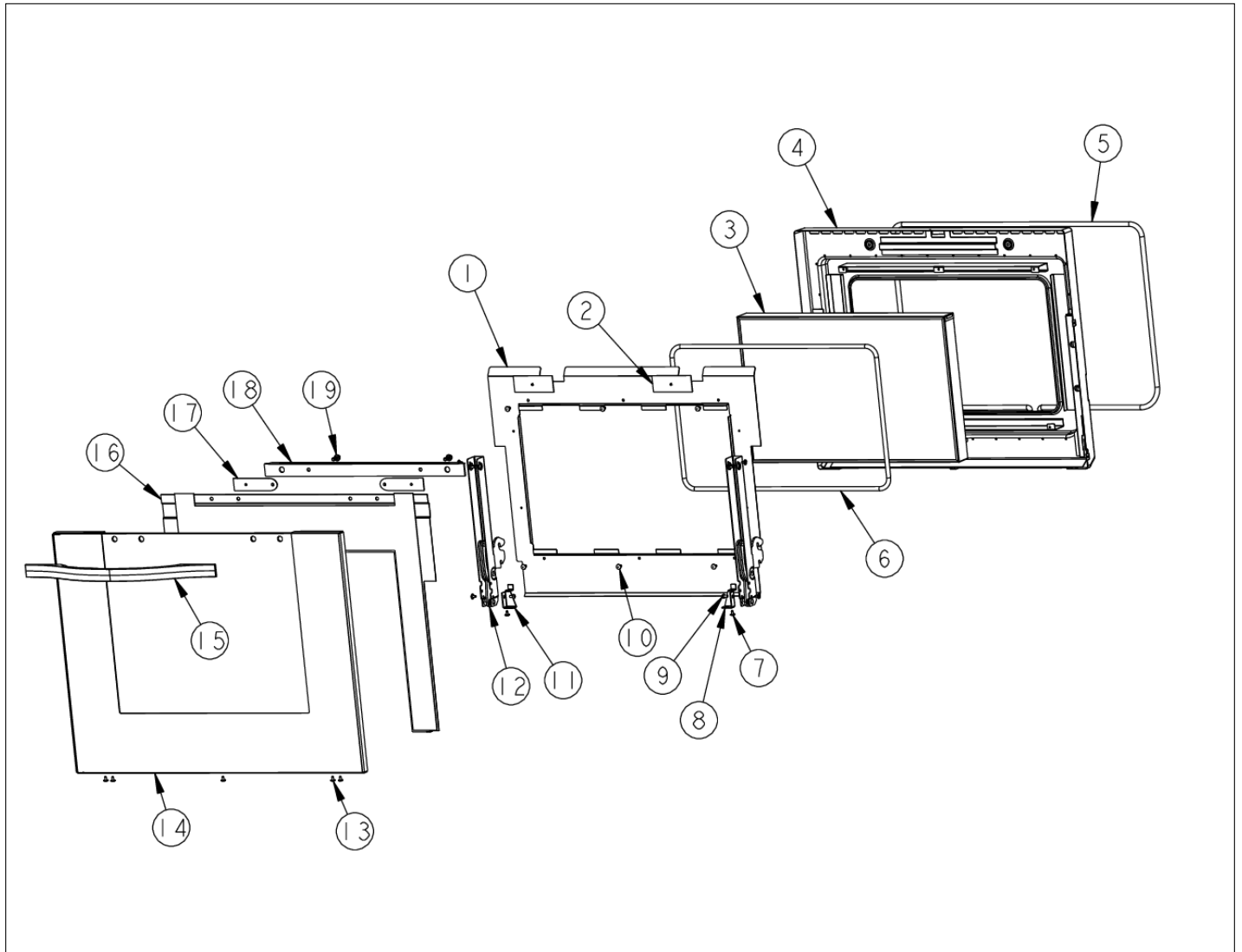
LOWER CONTROL HARNESS





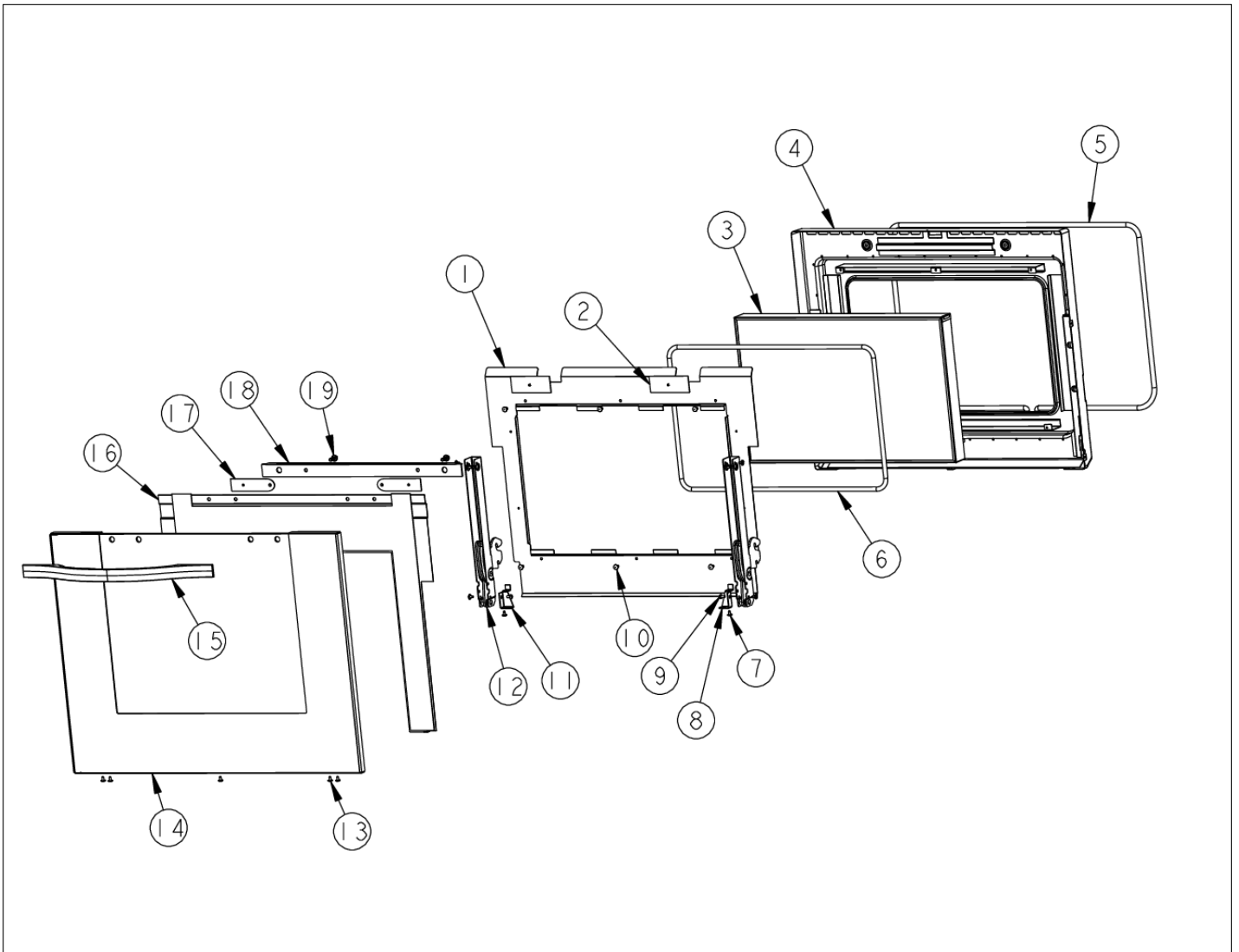
Item	Part No.	Name	Qty	Uom	NOTES
1	PE070736	LOWER CONTROL HARNESS	1	EA	

LOWER DOOR ASSEMBLY

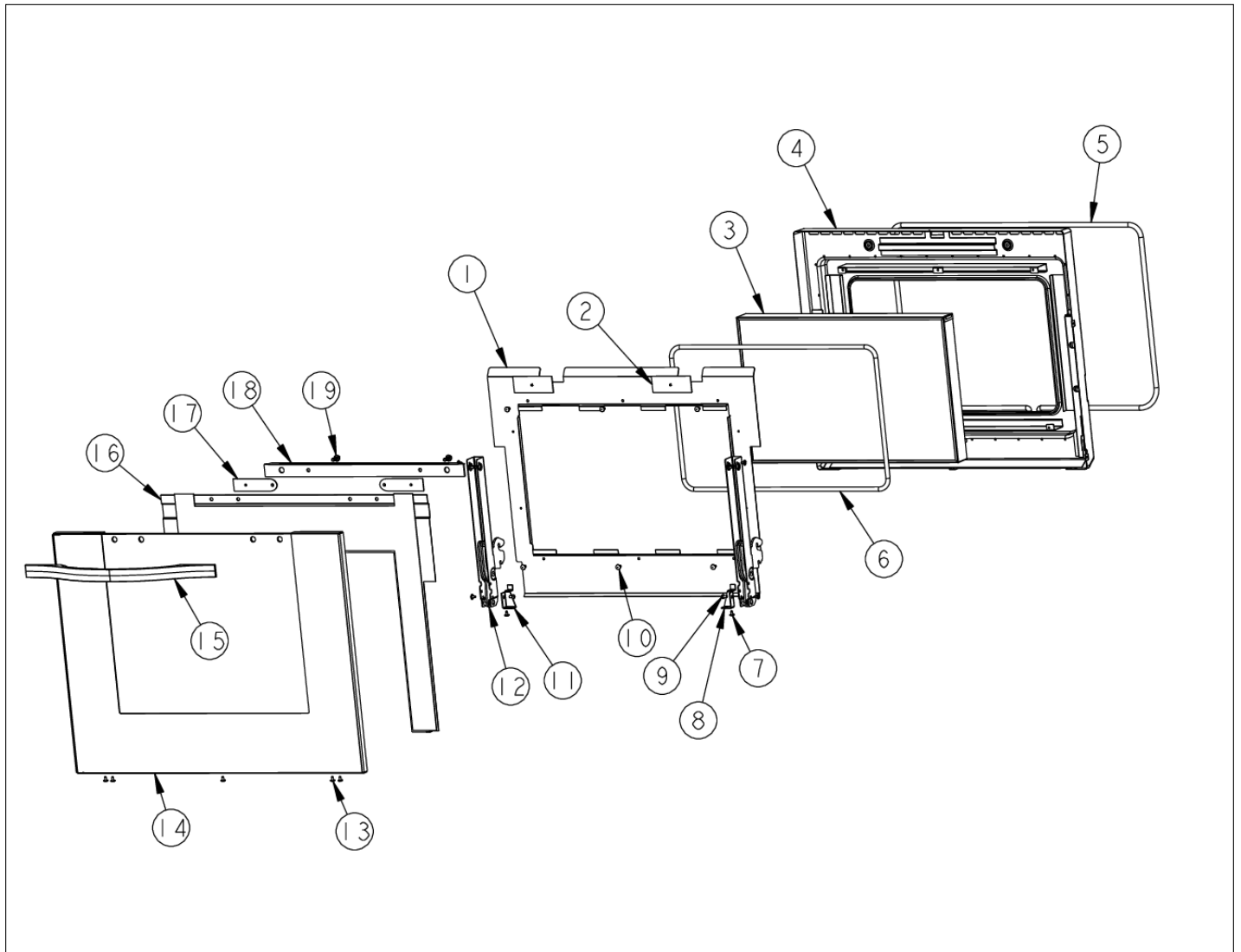




Item	Part No.	Name	Qty	Uom	NOTES
1	A2009632	PANEL, INULATION, INNER DOOR	1	EA	
2	PB070336	Door Bracket Insulation	1	EA	
3	PE060094	30 WINDOW PACK	1	EA	
4	G9109625	DOOR LINER PORC.	1	EA	
5	PB070246	30" DOOR GASKET	1	EA	
6	000594-000	BLACK FIBERGLASS ROPE 3/8	1	EA	
7	PD020063	SCREW-#8(A) X 3/8"PH WFR HD/BK OXID	1	EA	
8	A20012640	HINGE SUPPORT RH	1	EA	
9	PD020004	10X3/8PH.HD.TYPE 25 REPL PD040125	1	EA	
10	PD020002	10 X 1/2 PH.TR.HD.SMS.	1	EA	
11	A20012641	HINGE SUPPORT LH	1	EA	
12	023797-000	HINGE, MANSFIELD, YELLOW	2	EA	
<p>Comments for Part Num. 023797-000</p> <p>bhayzelden@VikingRange.com on Jan 19, 2016</p> <p>tech noticed unit had Green Mansfield hinges not yellow Mansfield Hinges correct Hinge part Number 006070-000</p>					
13	PD020032	SRW-8(A)X3/8"PH.WFR HD 7/16DIA*NICL	1	EA	
14	001452-002	30" DES DOOR SKIN KIT W/O LOGO - BK	1	EA	Not available online / Call for pricing and availability
Not Shown	001452-003	30" DES DOOR SKIN KIT W/O LOGO - BT	1	EA	NO LONGER AVAILABLE, Not available online / Call for pricing and availability
Not Shown	001452-005	30" DES DOOR SKIN KIT W/O LOGO - GG	1	EA	NO LONGER AVAILABLE
Not Shown	001452-004	30" DES DOOR SKIN KIT W/O LOGO - SG	1	EA	NO LONGER AVAILABLE, Not available online / Call for pricing and availability
Not Shown	001452-000	30" DES DOOR SKIN KIT W/O LOGO - SS	1	EA	
Not Shown	001452-006	30" DES DOOR SKIN KIT W/O LOGO - WH	1	EA	Not available online / Call for pricing and availability



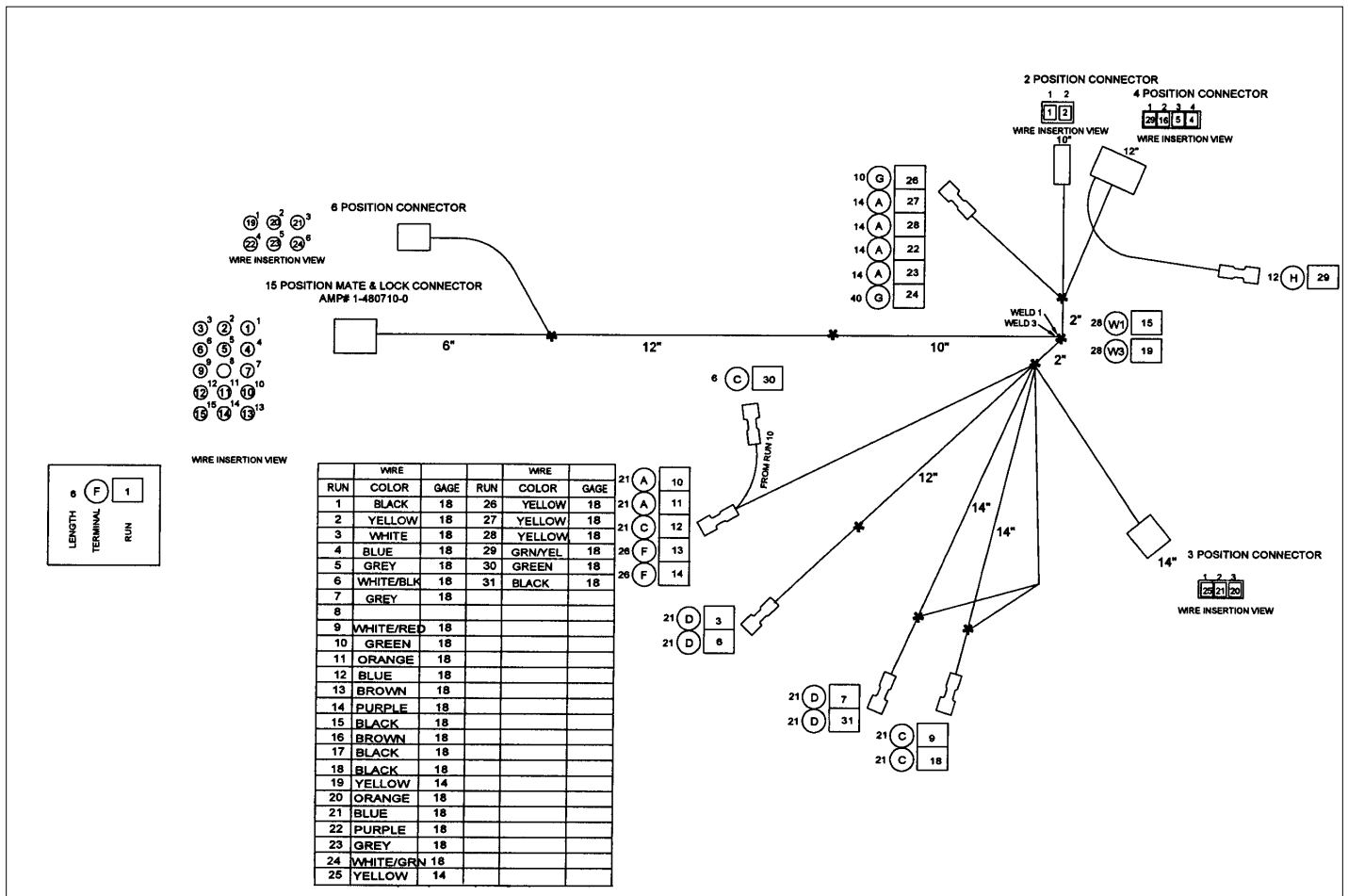
Item	Part No.	Name	Qty	Uom	NOTES
15	PE030167	30" DOOR HANDLE	1	EA	
Not Shown	PE030167PVD	30" DOOR HANDLE PVD	1	EA	NO LONGER AVAILABLE
16	001497-000	Designer 30" Insulation Retainer Kit	1	EA	INCLUDES INSULATION
17	PC050002	DESIGNER DOOR HANDLE SPACER	1	EA	
18	PE040285	DESIGNER DOOR TRIM	1	EA	Not available online / Call for pricing and availability
19	PD020186	1/4"-20 X 3/4" HEX WASHER HEAD MS	1	EA	Not available online / Call for pricing and availability
NI	G32014008BK	30" DOOR ASSY W/O LOGO *BK*	1	EA	NO LONGER AVAILABLE
NI	G32014008BKBR	30" DOOR ASSY W/O LOGO *BKBR*	1	EA	NO LONGER AVAILABLE, Not available online / Call for pricing and availability
NI	G32014008BT	30" DOOR ASSY W/O LOGO *BT*	1	EA	NO LONGER AVAILABLE, Not available online / Call for pricing and availability
NI	G32014008BTBR	30" DOOR ASSY W/O LOGO *BTBR*	1	EA	NO LONGER AVAILABLE, Not available online / Call for pricing and availability
NI	G32014008GG	30" DOOR ASSY W/O LOGO *GG*	1	EA	NO LONGER AVAILABLE
NI	G32014008GGBR	30" DOOR ASSY W/O LOGO *GGBR*	1	EA	NO LONGER AVAILABLE, Not available online / Call for pricing and availability
NI	G32014008SG	30" DOOR ASSY W/O LOGO *SG*	1	EA	NO LONGER AVAILABLE, Not available online / Call for pricing and availability
NI	G32014008SGBR	30" DOOR ASSY W/O LOGO *SGBR*	1	EA	NO LONGER AVAILABLE, Not available online / Call for pricing and availability





Item	Part No.	Name	Qty	Uom	NOTES
NI	G32014008SS	30" DOOR ASSY W/O LOGO	1	EA	Not available online / Call for pricing and availability
NI	G32014008SSBR	30" DOOR ASSY W/O LOGO *SSBR*	1	EA	NO LONGER AVAILABLE, Not available online / Call for pricing and availability
NI	G32014008WH	30" DOOR ASSY W/O LOGO *WH*	1	EA	NO LONGER AVAILABLE
NI	G32014008WHBR	COMPLETE DOOR ASSEMBLY - WHBR	1	EA	Not available online / Call for pricing and availability
NI	017736-000	WINDOW PACK INSULATION KIT	1	EA	

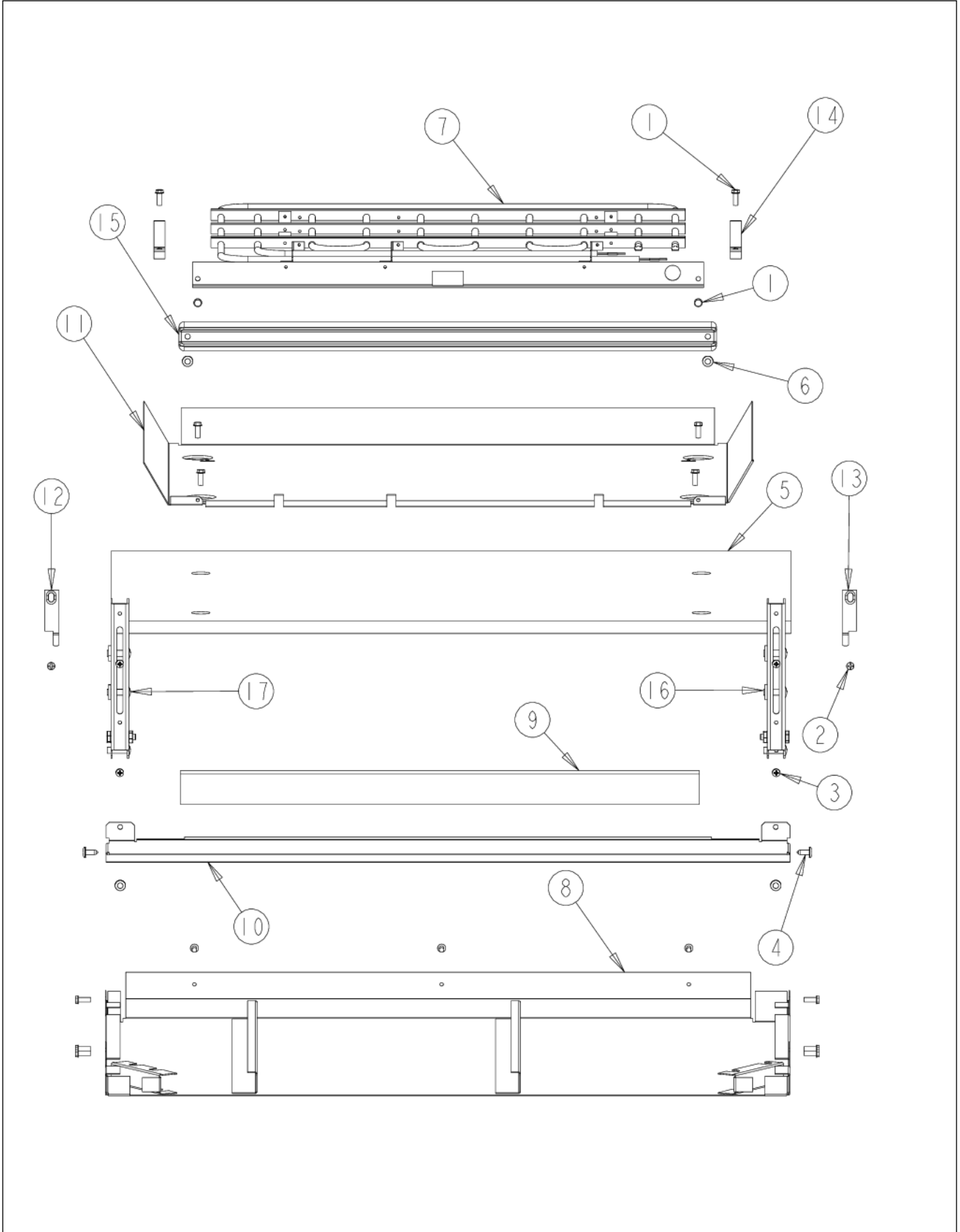
LOWER LATCH HARNESS





Item	Part No.	Name	Qty	Uom	NOTES
1	PE070740	LOWER LATCH HARNESS	1	EA	

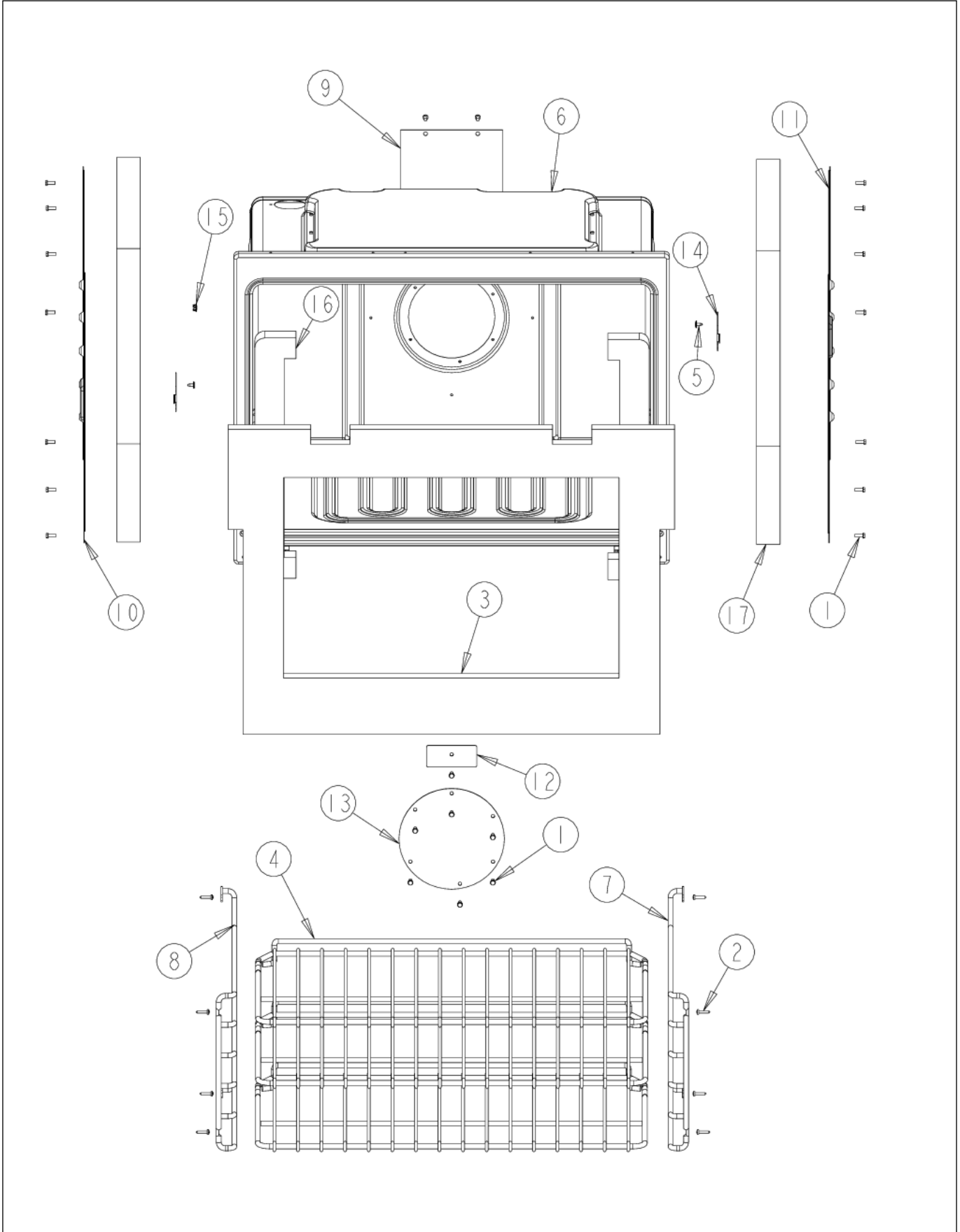
LOWER OVEN LOWER OVEN CAVITY





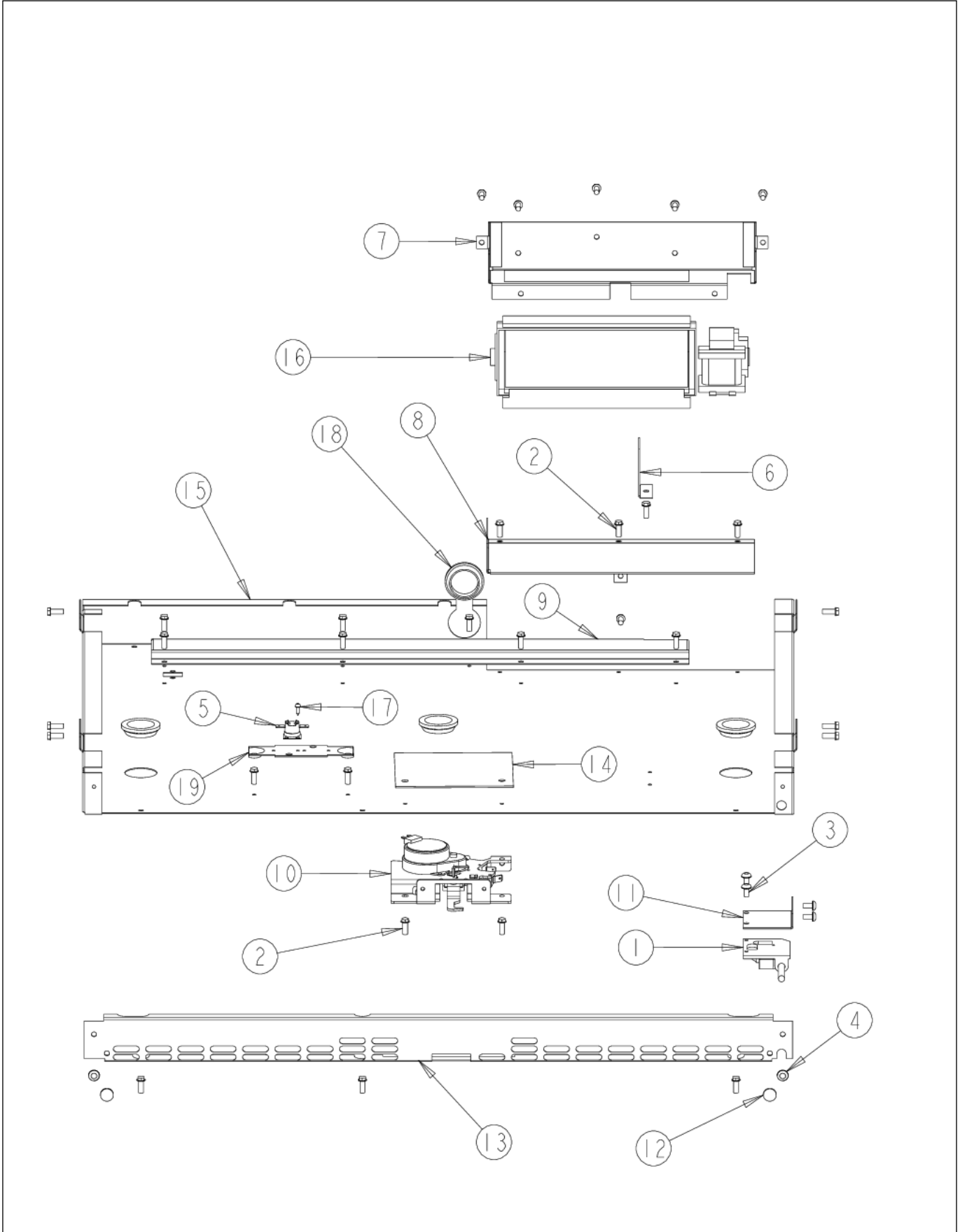
Item	Part No.	Name	Qty	Uom	NOTES
1	PD020060	10 X 1/2" (5/16)HEX WSHER HD.(T)A	1	EA	
2	PD020061	' #8 X 3/4 FLAT HD TEK. *SS*	1	EA	
3	PD020062	#8-32 X 3/8 PHMS TYPE 1	1	EA	
4	PD020002	10 X 1/2 PH.TR.HD.SMS.	1	EA	
5	PB070303	30" BOTTOM INSULATION	1	EA	
6	PD020063	SCREW-#8(A) X 3/8"PH WFR HD/BK OXID	1	EA	
7	PJ010048	BAKE ELEMENT	1	EA	
8	G3009694	BASE MODULE ASSY 30"	1	EA	
9	PB070309	BAKE ELEMENT INSULATION	1	EA	
10	C9009676BK	BOTTOM AIR DEFLECTOR 30"	1	EA	
11	A2009612	ELEMENT, MTG TRAY	1	EA	
12	B21010916	HINGE CLIP - LH	1	EA	
13	B21010915	HINGE CLIP - RH	1	EA	
14	A2009696	HOLDER, BAKE ELEMENT	1	EA	
15	E9109655	COVER, BAKE TRAY	1	EA	
16	PC020221	HINGE POCKET RECEIVER MANSFIELD RH	1	EA	
17	PC020247	HINGE POCKET RECEIVER MANSFIELD LH	1	EA	

LOWER OVEN MAIN OVEN CAVITY



Item	Part No.	Name	Qty	Uom	NOTES
1	PD020060	10 X 1/2" (5/16)HEX WSHER HD.(T)A	1	EA	
2	PD020232	#8 X 3/4" PH PAN HEAD TEK SCREW (BLACK OXIDE)	1	EA	
3	PB070272	30" DOOR INSULATION	1	EA	
4	PB060107	30" OVEN RACK	1	EA	
5	PD020063	SCREW-#8(A) X 3/8"PH WFR HD/BK OXID	1	EA	
6	G91014039	30" PREMIERE CAVITY ASSY	1	EA	
7	PB060103	RACK SUPPORT RH	1	EA	
8	PB060104	RACK SUPPORT LH	1	EA	
9	A20012648	BACK COVER	1	EA	Not available online / Call for pricing and availability
10	A2009622	BRKT, TOP WRAPPER, RIGHT	1	EA	Not available online / Call for pricing and availability
11	A20012650	BRKT, TOP WRAPPER LEFT	1	EA	Not available online / Call for pricing and availability
12	E91012616	CONV. ELEMENT HOLE COVER	1	EA	NO LONGER AVAILABLE, Not available online / Call for pricing and availability
13	E91012615	CONVECTION HOLE COVER	1	EA	NO LONGER AVAILABLE, Not available online / Call for pricing and availability
14	E91012614	LIGHT HOLE COVER	1	EA	
15	E91014053	PORCELAIN 25/64" HOLE PLUG	1	EA	Not available online / Call for pricing and availability
16	PB070271	DOOR PLUG INSULATION	1	EA	
17	PB070302	SIDE INSULATION	1	EA	

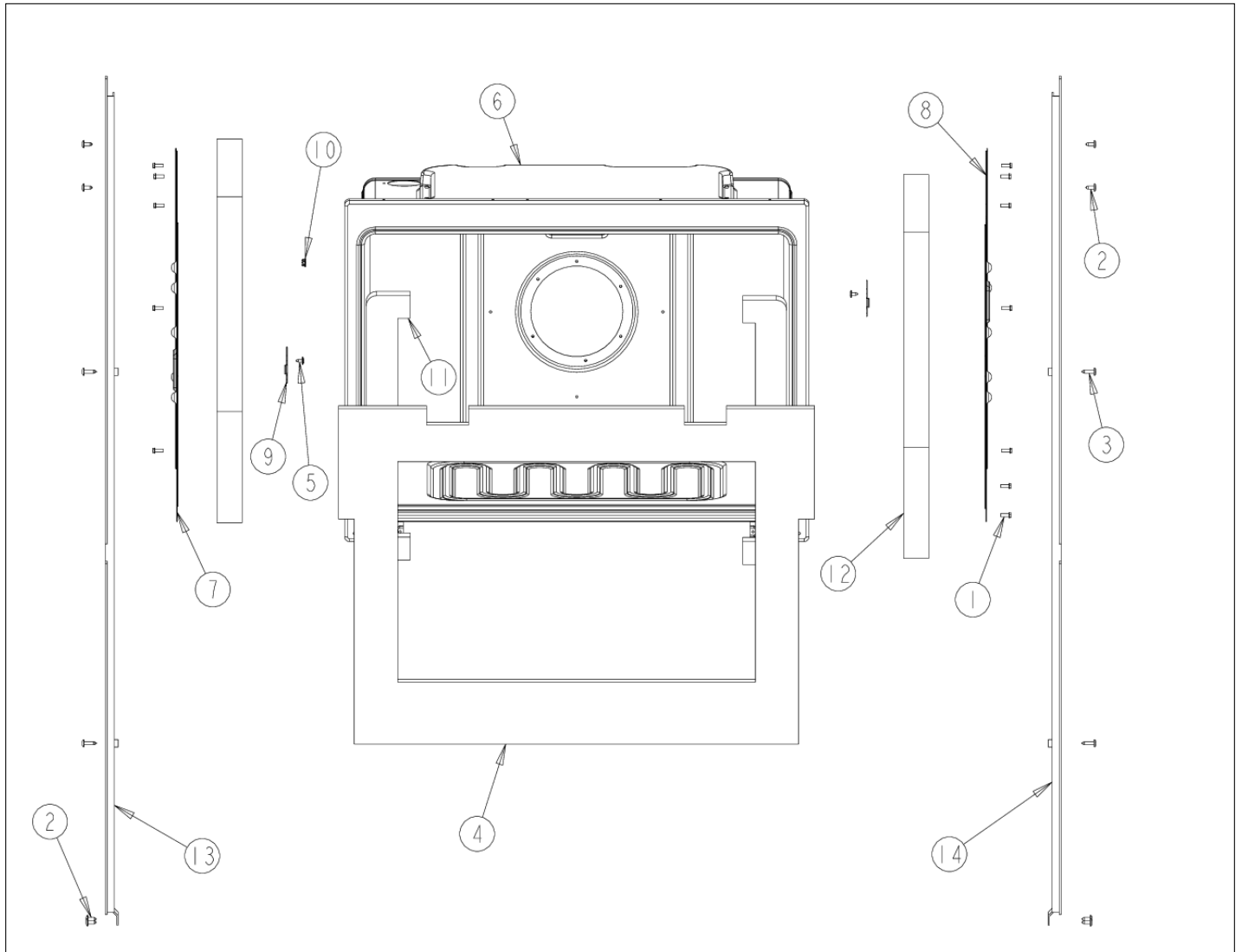
MIDDLE UNIT AREA





Item	Part No.	Name	Qty	Uom	NOTES
1	PE050208	DOOR SWITCH	1	EA	
2	PD020060	10 X 1/2" (5/16)HEX WSHER HD.(T)A	1	EA	
3	PD020004	10X3/8PH.HD.TYPE 25 REPL PD040125	1	EA	
4	PD020063	SCREW-#8(A) X 3/8"PH WFR HD/BK OXID	1	EA	
5	PJ030039	BI-METAL THERMOSTAT 275 DEGREES	1	EA	
6	A20014036	BOTTOM BLOWER DIVIDER	1	EA	
7	A2009660	BRACKET, BLOWER, DBL LOWER OVEN	1	EA	NO LONGER AVAILABLE, Not available online / Call for pricing and availability
8	A2009659	Blower Bracket	1	EA	
9	A2009682	CATALYST EXHAUST, MIDDLE MODULE	1	EA	
10	013250-000	LATCH,DOOR,ASM,240V,GRID DLE LOCKOUT	1	EA	
11	A20012649	DOOR SWITCH BRACKET	1	EA	
12	PD040004	GROMMET BUMPER	1	EA	
13	C9009680BK	INLET GRILL DBL LOWER OVEN 30"	1	EA	
14	PB070321	Lower Latch Insulation	1	EA	
15	A2009661	MODULE PAN 30"	1	EA	
16	PE050250	Blower	1	EA	
<p>Comments for Part Num. PE050250</p> <p>highendappsvc@gmail.com on Jan 28, 2019</p> <p>If you need to replace cooling fan for the model vgsc5486gss serial date code 031412, do not order this fan, this fan is larger and configured wrong. The correct fan is 007794-000. it is smaller.</p>					
17	PD020013	TYPE "AB" #6 X 3/8 PH PAN HD. SMS	1	EA	
18	PB070079	SILICONE EXTRUSION (DGSU)	1	EA	
19	A1002456	THERMO-DISC BRKT (VDSC)	1	EA	

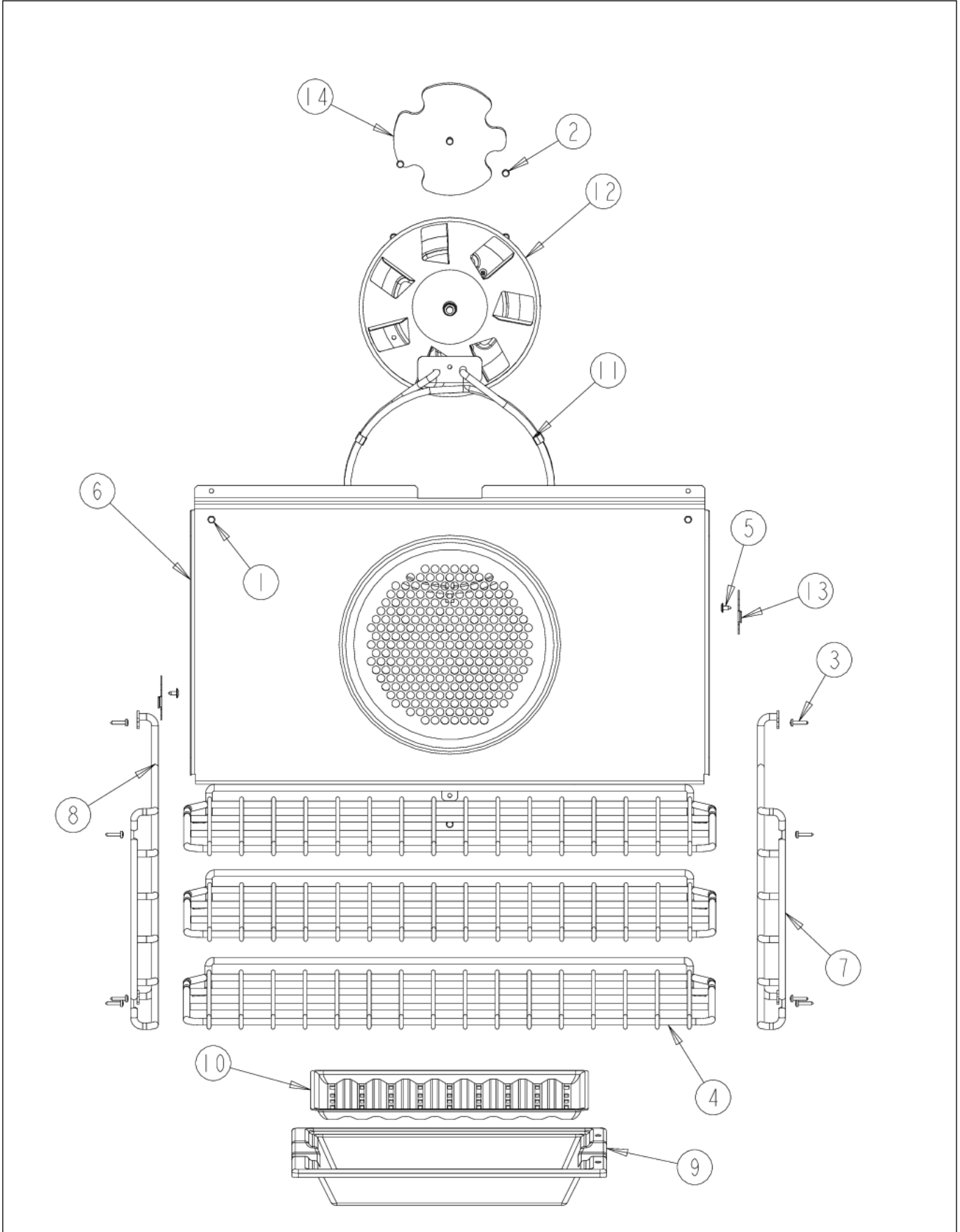
OVEN EXTERIOR - UPPER OVEN





Item	Part No.	Name	Qty	Uom	NOTES
1	PD020060	10 X 1/2" (5/16)HEX WSHER HD.(T)A	1	EA	
2	PD020002	10 X 1/2 PH.TR.HD.SMS.	1	EA	
3	PD020014	10X3/4 PH TR HD SMS	1	EA	
4	PB070272	30" DOOR INSULATION	1	EA	
5	PD020063	SCREW-#8(A) X 3/8"PH WFR HD/BK OXID	1	EA	
6	G91014039	30" PREMIERE CAVITY ASSY	1	EA	
7	A20012650	BRKT, TOP WRAPPER LEFT	1	EA	Not available online / Call for pricing and availability
8	A2009622	BRKT, TOP WRAPPER, RIGHT	1	EA	Not available online / Call for pricing and availability
9	E91012614	LIGHT HOLE COVER	1	EA	
10	E91014053	PORCELAIN 25/64" HOLE PLUG	1	EA	Not available online / Call for pricing and availability
11	PB070271	DOOR PLUG INSULATION	1	EA	
12	PB070302	SIDE INSULATION	1	EA	
13	PE040284	DES. DOUBLE SIDE TRIM LH	1	EA	NO LONGER AVAILABLE
14	PE040283	DES. DOUBLE SIDE TRIM RH	1	EA	Not available online / Call for pricing and availability

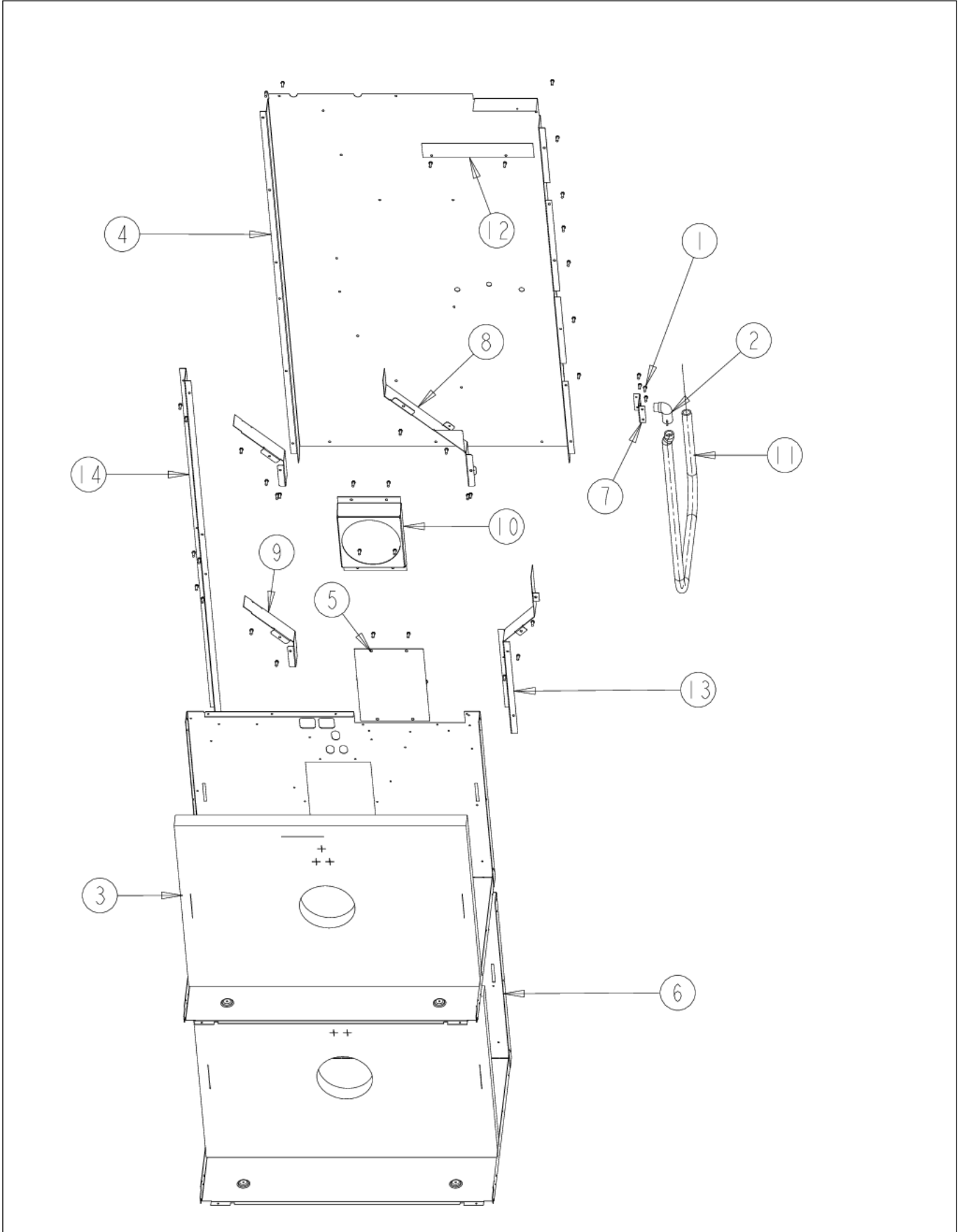
OVEN INTERIOR - UPPER OVEN





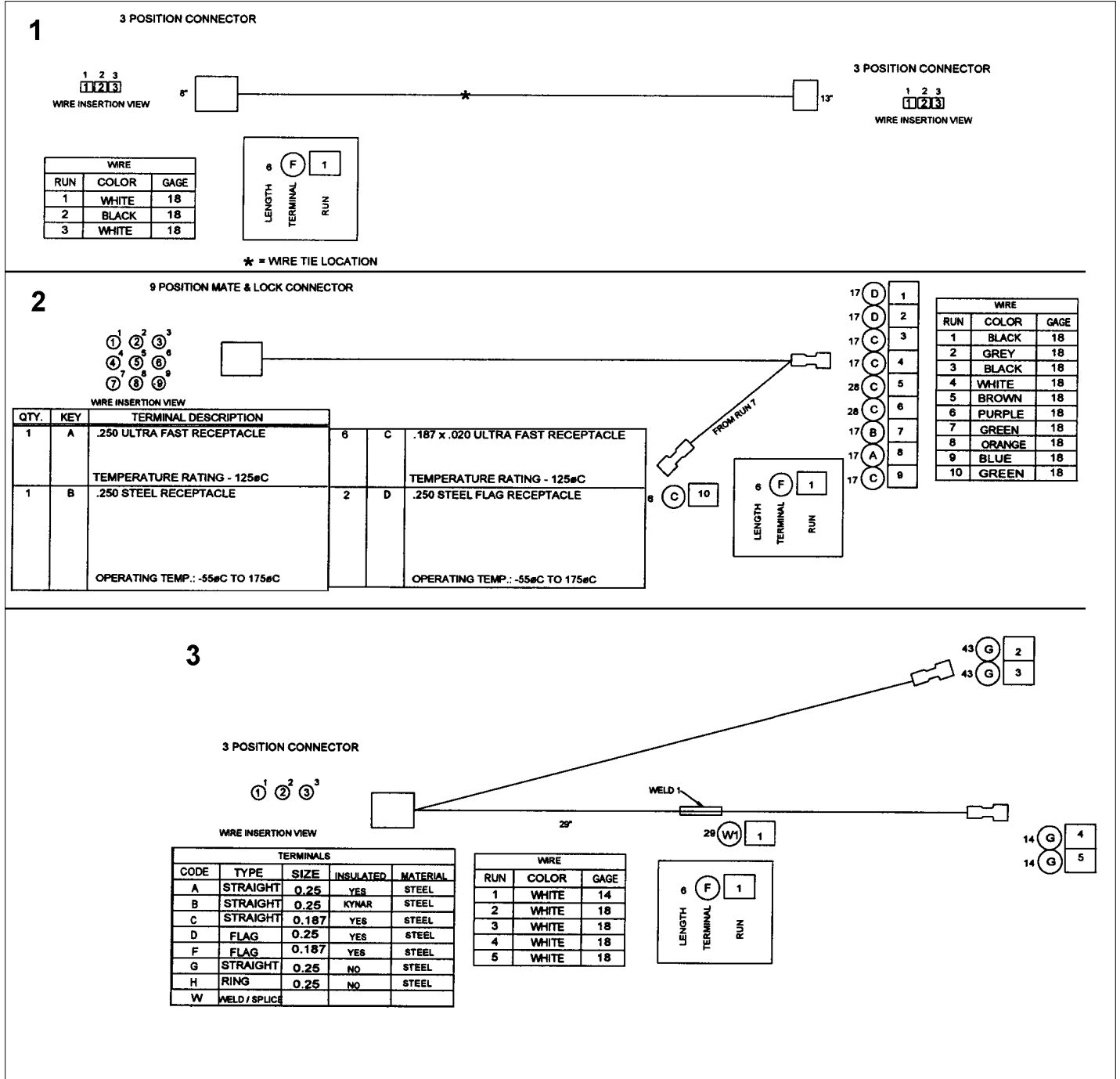
Item	Part No.	Name	Qty	Uom	NOTES
1	PD020055	' #10 X 1/2" PAN PHIL. TEK.*SS*	1	EA	
2	PD020060	10 X 1/2" (5/16)HEX WSHER HD.(T)A	1	EA	
3	PD020232	#8 X 3/4" PH PAN HEAD TEK SCREW (BLACK OXIDE)	1	EA	
4	PB060107	30" OVEN RACK	1	EA	
5	PD020063	SCREW-#8(A) X 3/8"PH WFR HD/BK OXID	1	EA	
6	G91013598	30" BAFFLE ASSEMBLY	1	EA	
7	PB060103	RACK SUPPORT RH	1	EA	
8	PB060104	RACK SUPPORT LH	1	EA	
9	E9107933	BROILER PAN	1	EA	
10	E9107934	BROILER PAN INSERT - NLA	1	EA	
11	PJ010047	CONVECTION ELEMENT	1	EA	
12	G32014020	CONVECTION FAN ASSY	1	EA	
13	E91012614	LIGHT HOLE COVER	1	EA	
14	PB070312	CONVECTION MOTOR MTG. PLATE INSULATION	1	EA	
NI	001097-000	FAN MOTOR JUMPER	1	EA	

REAR UNIT AREA



Item	Part No.	Name	Qty	Uom	NOTES
1	PD020060	10 X 1/2" (5/16)HEX WSHER HD.(T)A	1	EA	
2	PB040070	CONDUIT FITTING (90 DEG)	1	EA	
3	PB070304	30" BACK INSULATION	1	EA	NO LONGER AVAILABLE, Not available online / Call for pricing and availability
4	A2009683	PANEL, REAR	1	EA	NO LONGER AVAILABLE, Not available online / Call for pricing and availability
5	A10012648	BACK COVER	1	EA	NO LONGER AVAILABLE, Not available online / Call for pricing and availability
6	A2009620	BASE, BACK WRAPPER	1	EA	
7	A2009671	BRACKET, POWER CABLE	1	EA	
8	A21010918	BRACKET, AIR, CONVECTION MOTOR	1	EA	NO LONGER AVAILABLE, Not available online / Call for pricing and availability
9	A21010919	BRACKET, AIR, CONVECTION MOTOR	1	EA	NO LONGER AVAILABLE, Not available online / Call for pricing and availability
10	A2009697	BRACKET, CONVECTION INSULATION	1	EA	
11	PB020071	CONDUIT - FLEXIBLE (48")	1	EA	
12	A10010907	COVER, BLOWER	1	EA	
13	050578-000	DUCT, AIR FLOW DIVIDER, WALL OVEN ASSY	1	EA	
14	A2009684	REAR AIR DIVIDER, DOUBLE OVEN	1	EA	

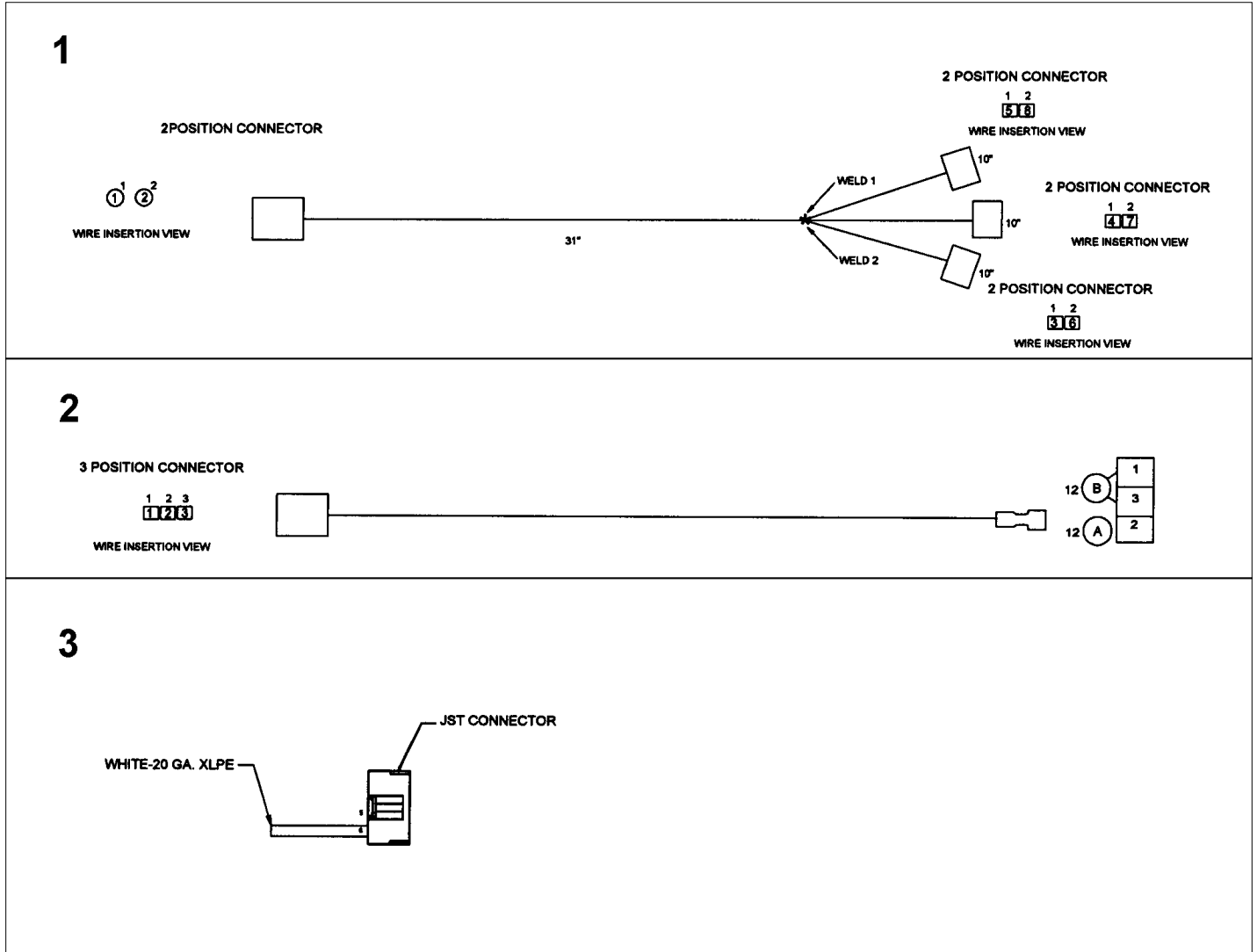
SIMPLE HARNESSES 1





Item	Part No.	Name	Qty	Uom	NOTES
1	PE070738	T/STAT-SEL HARNESS	1	EA	
Not Shown	PE070733	UPPER LATCH HARNESS	1	EA	
Not Shown	PE070739	BAKE ELEMENT HARNESS	1	EA	
NI	G4005496	SUPPLY WIRE - 100" BK 10GA SO/DO	1	EA	
NI	G4005497	SUPPLY WIRE - 100" GREEN 10GA SO/DO	1	EA	
NI	G4005499	SUPPLY WIRE - 100" RED 10GA SO/DO	1	EA	
NI	G4005494	SUPPLY WIRE - 75" WH 12 GA SO/DO - NLA	1	EA	

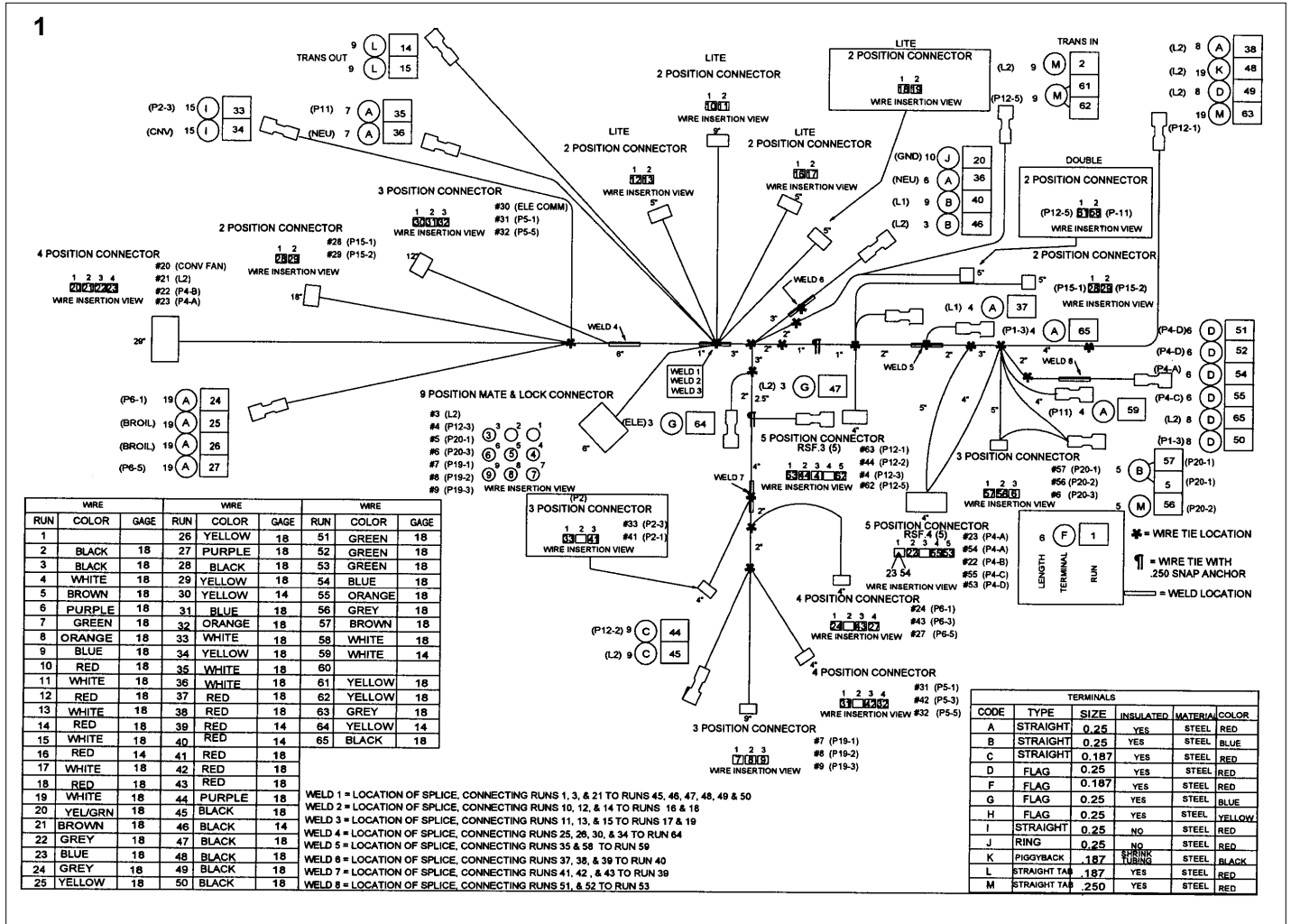
SIMPLE HARNESSES 2





Item	Part No.	Name	Qty	Uom	NOTES
1	PE070741	LOWER LIGHT HARNESS	1	EA	
2	PE070744	DOUBLE CLOCK HARNESS	1	EA	NO LONGER AVAILABLE
3	PE070763	10 POSITION 30" L.O.	1	EA	

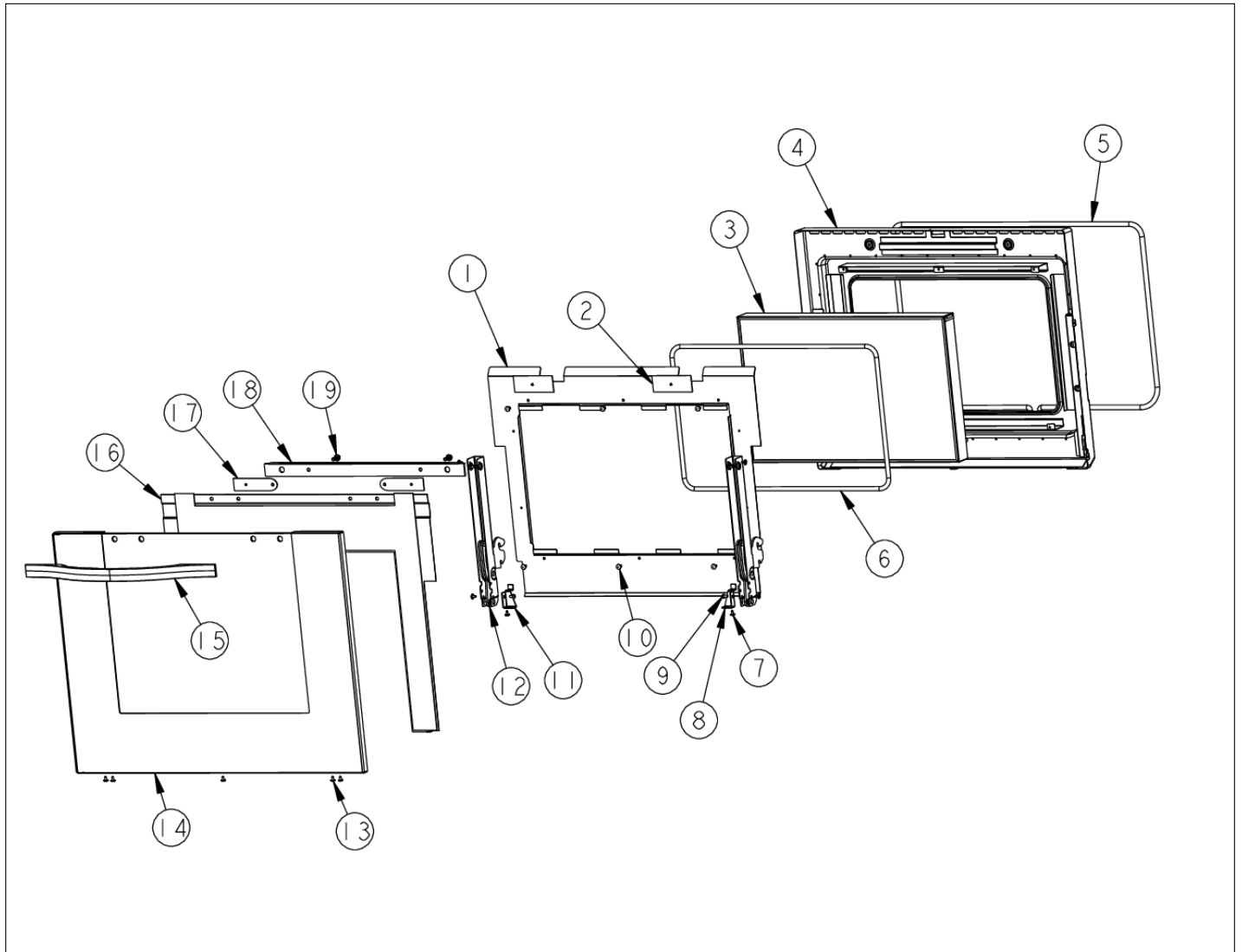
UPPER CONTROL HARNESS





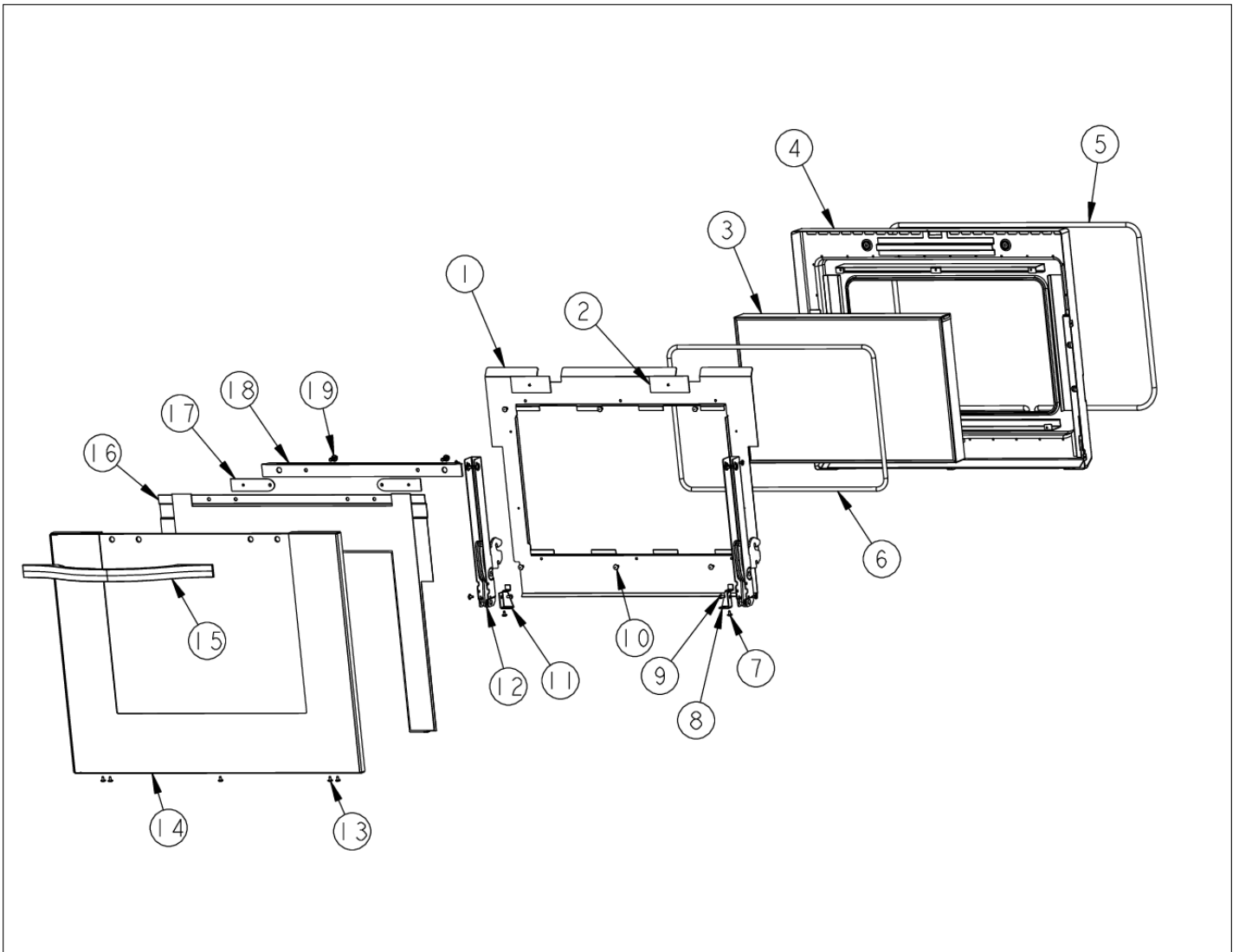
Item	Part No.	Name	Qty	Uom	NOTES
1	PE070742	UPPER CONTROL HARNESS	1	EA	

UPPER DOOR ASSEMBLY



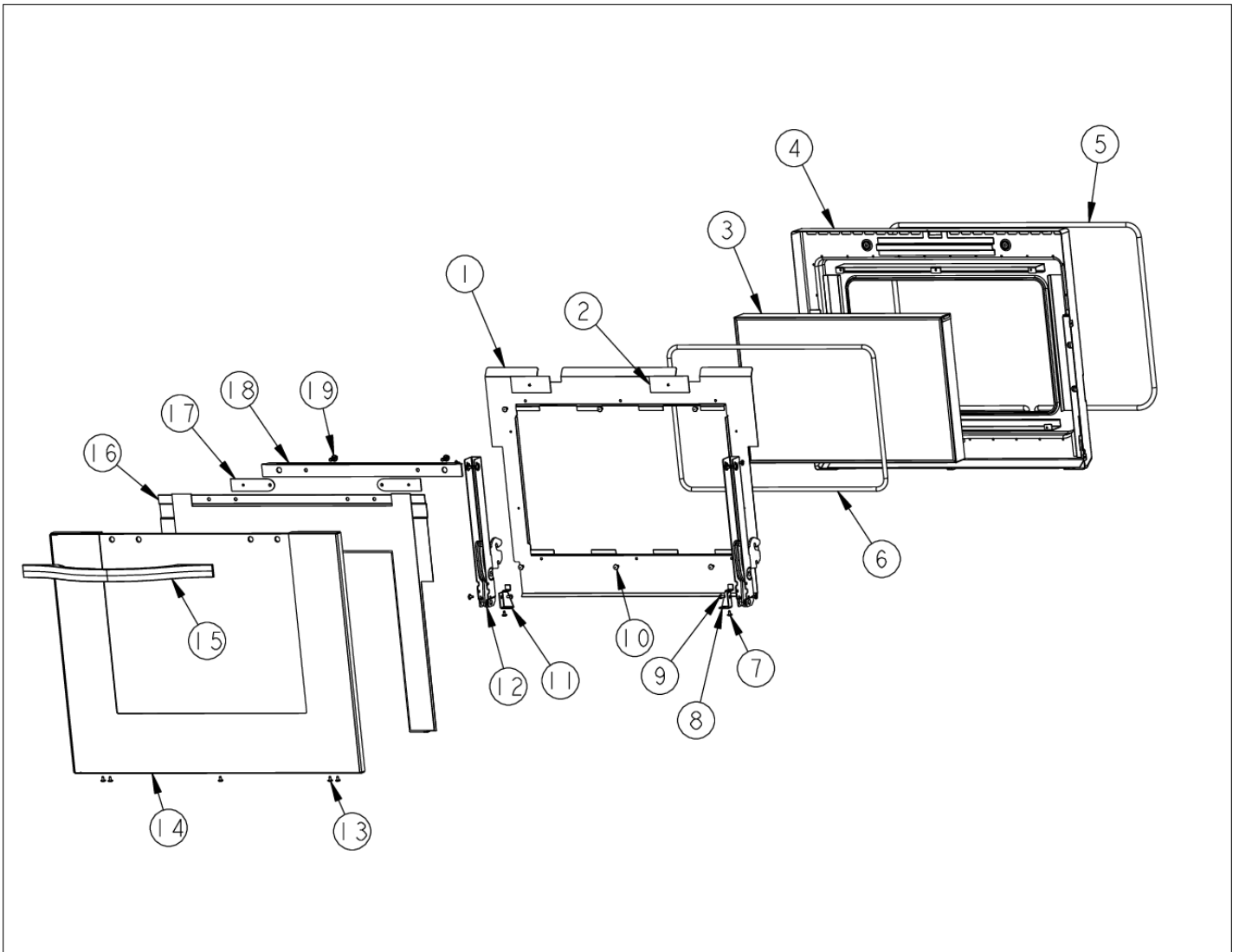


Item	Part No.	Name	Qty	Uom	NOTES
1	A2009632	PANEL, INULATION, INNER DOOR	1	EA	
2	PB070336	Door Bracket Insulation	1	EA	
3	PE060094	30 WINDOW PACK	1	EA	
4	G9109625	DOOR LINER PORC.	1	EA	
5	PB070246	30" DOOR GASKET	1	EA	
6	000594-000	BLACK FIBERGLASS ROPE 3/8	1	EA	
7	PD020063	SCREW-#8(A) X 3/8"PH WFR HD/BK OXID	1	EA	
8	A20012640	HINGE SUPPORT RH	1	EA	
9	PD020004	10X3/8PH.HD.TYPE 25 REPL PD040125	1	EA	
10	PD020002	10 X 1/2 PH.TR.HD.SMS.	1	EA	
11	A20012641	HINGE SUPPORT LH	1	EA	
12	023797-000	HINGE, MANSFIELD, YELLOW	2	EA	
Comments for Part Num. 023797-000					
bhayzelden@VikingRange.com on Jan 19, 2016					
tech noticed unit had Green Mansfield hinges not yellow Mansfield Hinges correct Hinge part Number 006070-000					
13	PD020032	SRW-8(A)X3/8"PH.WFR HD 7/16DIA*NICL	1	EA	
14	001451-002	30" DES DOOR SKIN KIT W/LOGO - BK	1	EA	
Not Shown	001451-003	30" DES DOOR SKIN KIT W/LOGO - BT	1	EA	NO LONGER AVAILABLE
Not Shown	001451-005	30" DES DOOR SKIN KIT W/LOGO - GG	1	EA	NO LONGER AVAILABLE
Not Shown	001451-004	30" DES DOOR SKIN KIT W/LOGO - SG	1	EA	NO LONGER AVAILABLE
Not Shown	001451-000	30" DES DOOR SKIN KIT W/LOGO - SS	1	EA	
Not Shown	001451-006	30" DES DOOR SKIN KIT W/LOGO - WH	1	EA	
15	PE030167	30" DOOR HANDLE	1	EA	
Not Shown	PE030167PVD	30" DOOR HANDLE PVD	1	EA	NO LONGER AVAILABLE
16	001497-000	Designer 30" Insulation Retainer Kit	1	EA	INCLUDES INSULATION





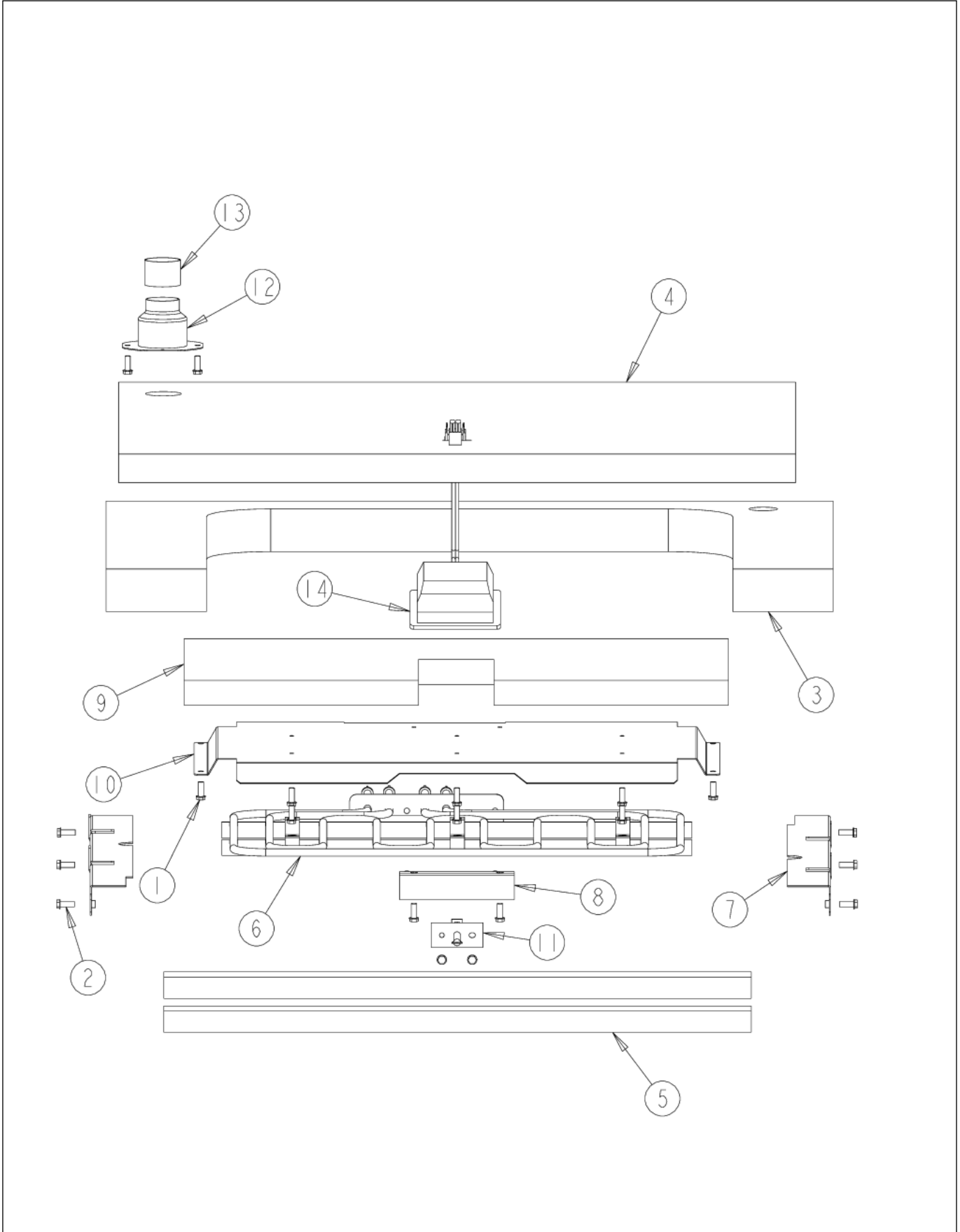
Item	Part No.	Name	Qty	Uom	NOTES
17	PC050002	DESIGNER DOOR HANDLE SPACER	1	EA	
18	PE040285	DESIGNER DOOR TRIM	1	EA	Not available online / Call for pricing and availability
19	PD020186	1/4"-20 X 3/4" HEX WASHER HEAD MS	1	EA	Not available online / Call for pricing and availability
NI	G32012750BK	30" DOOR ASSY W/LOGO *BK*	1	EA	NO LONGER AVAILABLE
NI	G32012750BKBR	30" DOOR ASSY W/LOGO *BKBR*	1	EA	NO LONGER AVAILABLE, Not available online / Call for pricing and availability
NI	G32012750BT	30" DOOR ASSY W/LOGO *BT*	1	EA	NO LONGER AVAILABLE, Not available online / Call for pricing and availability
NI	G32012750BTBR	30" DOOR ASSY W/LOGO *BTBR*	1	EA	NO LONGER AVAILABLE, Not available online / Call for pricing and availability
NI	G32012750GG	30" DOOR ASSY W/LOGO *GG*	1	EA	NO LONGER AVAILABLE
NI	G32012750GGBR	30" DOOR ASSY W/LOGO *GGBR*	1	EA	NO LONGER AVAILABLE, Not available online / Call for pricing and availability
NI	G32012750SG	30" DOOR ASSY W/LOGO *SG*	1	EA	NO LONGER AVAILABLE
NI	G32012750SGBR	30" DOOR ASSY W/LOGO *SGBR*	1	EA	NO LONGER AVAILABLE, Not available online / Call for pricing and availability
NI	G32012750SS	30" DOOR ASSY W/LOGO	1	EA	
NI	G32012750SSBR	COMPLETE DOOR ASSEMBLY - SSBR	1	EA	
NI	G32012750WH	30" DOOR ASSY W/LOGO *WH*	1	EA	NO LONGER AVAILABLE
NI	G32012750WHBR	COMPLETE DOOR ASSEMBLY - WHBR	1	EA	Not available online / Call for pricing and availability





Item	Part No.	Name	Qty	Uom	NOTES
NI	017736-000	WINDOW PACK INSULATION KIT	1	EA	

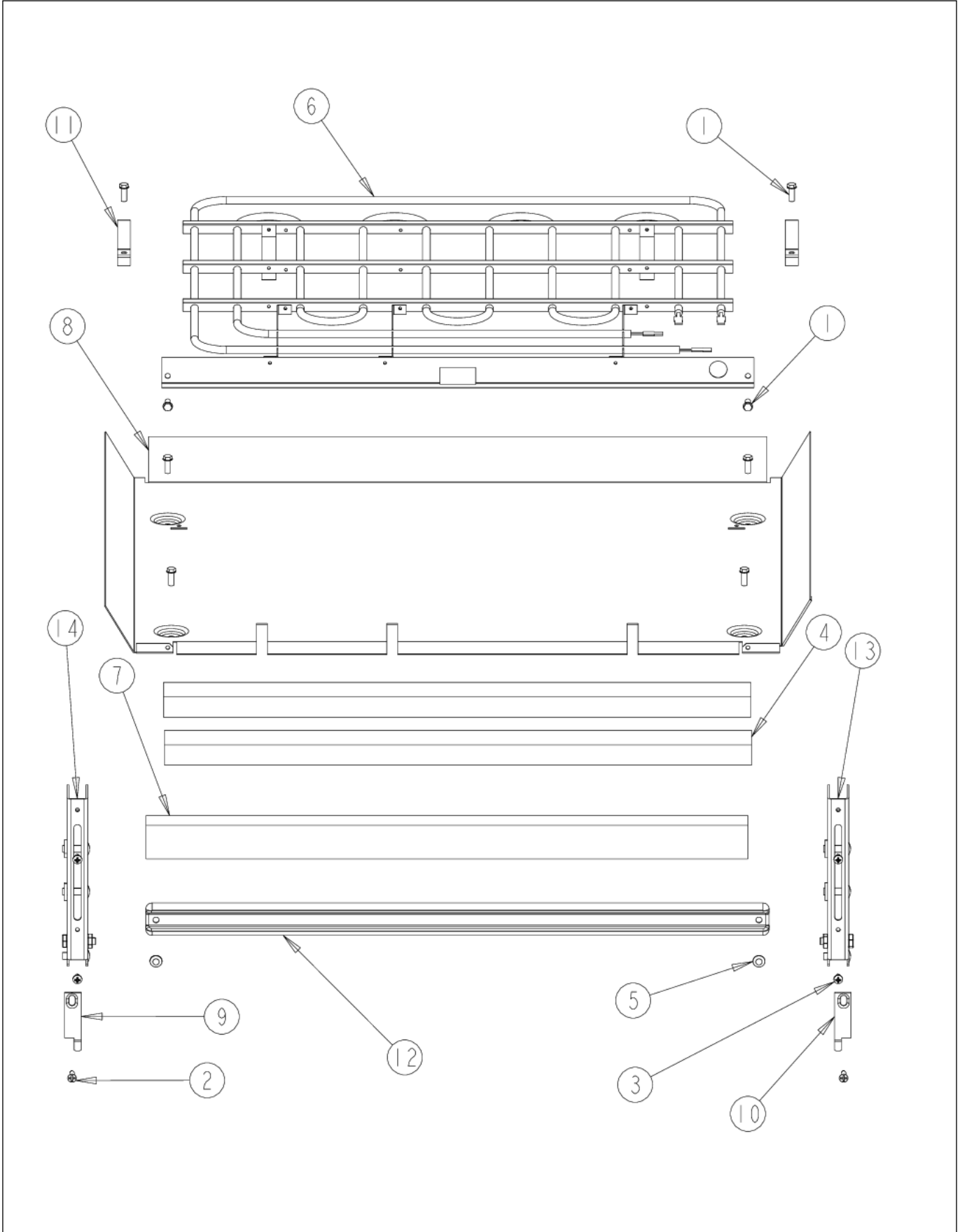
UPPER OVEN CAVITY





Item	Part No.	Name	Qty	Uom	NOTES
1	PD020055	' #10 X 1/2" PAN PHIL. TEK.*SS*	1	EA	
2	PD020060	10 X 1/2" (5/16)HEX WSHER HD.(T)A	1	EA	
3	PB070305	Top Broil Insulation	1	EA	Not available online / Call for pricing and availability
4	PB070308	Top Insulation	1	EA	
5	PB070269	30" WINDOW PACK INSULATION	1	EA	
6	PJ010049	BROIL ELEMENT	1	EA	
7	A2009641	BRKT, TOP WRAPPER	1	EA	
8	A20014044	BROIL ELEMENT SHIELD	1	EA	
9	PB070337	Liner Insulation	1	EA	
10	A20014021	REFLECTOR, BROIL	1	EA	
11	PE050206	RTD THERMOSTAT PROBE	1	EA	
12	PM010014	SMOKE ELIMINATOR (VDSC)	1	EA	
13	PB020275	VENT TUBE	1	EA	
14	PE050205	Top Halogen Light	1	EA	
Not Shown	NOTE	(BEFORE C-0396)		EA	
PE05023 9	020403-000	LAMP, OVEN, 120V/40W	1	EA	
Not Shown	NOTE	(AFTER C-0396)		EA	

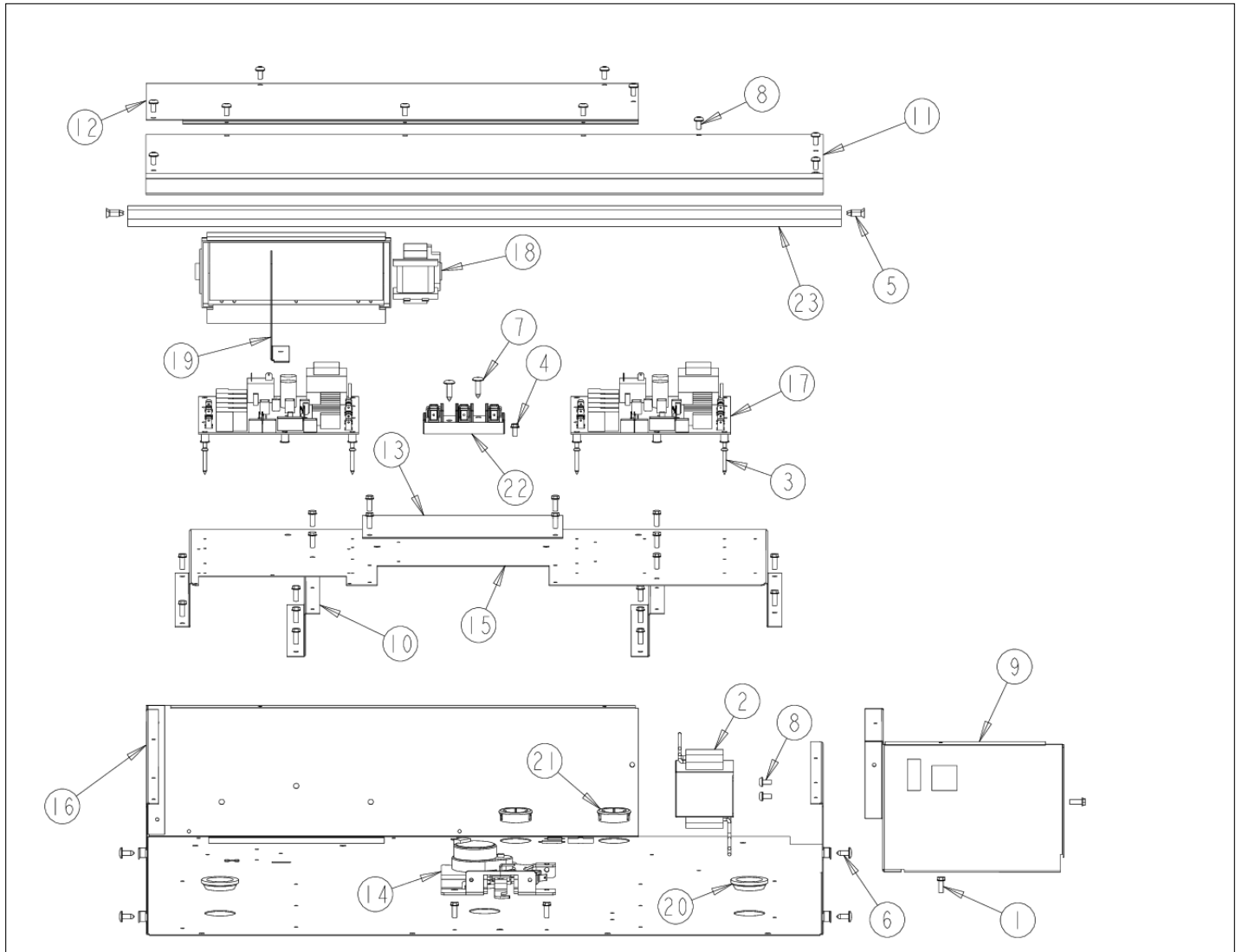
UPPER OVEN LOWER OVEN CAVITY





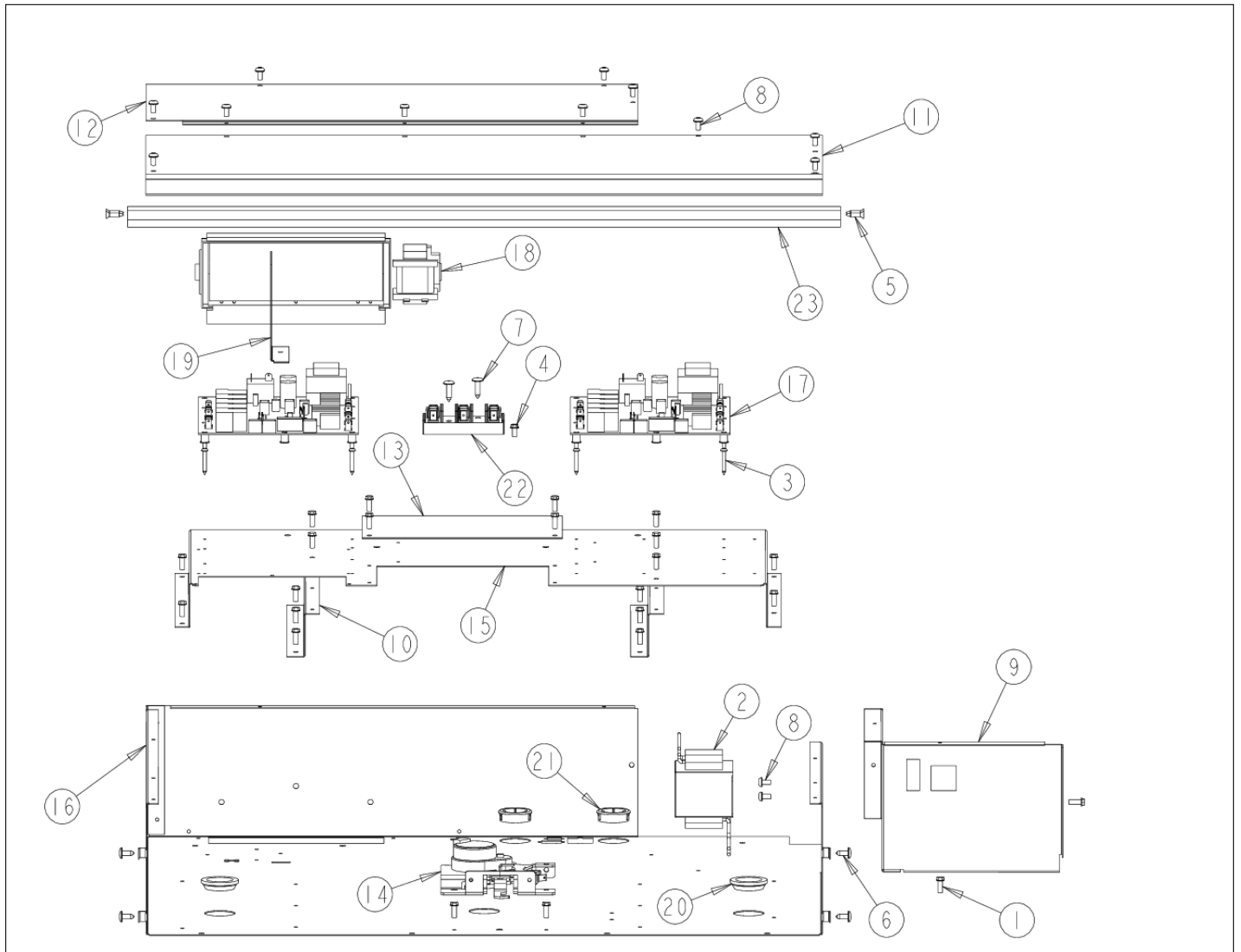
Item	Part No.	Name	Qty	Uom	NOTES
1	PD020060	10 X 1/2" (5/16)HEX WSHER HD.(T)A	1	EA	
2	PD020061	' #8 X 3/4 FLAT HD TEK. *SS*	1	EA	
3	PD020062	#8-32 X 3/8 PHMS TYPE 1	1	EA	
4	PB070269	30" WINDOW PACK INSULATION	1	EA	
5	PD020063	SCREW-#8(A) X 3/8"PH WFR HD/BK OXID	1	EA	
6	PJ010048	BAKE ELEMENT	1	EA	
7	PB070309	BAKE ELEMENT INSULATION	1	EA	
8	A2009612	ELEMENT, MTG TRAY	1	EA	
9	B21010916	HINGE CLIP - LH	1	EA	
10	B21010915	HINGE CLIP - RH	1	EA	
11	A2009696	HOLDER, BAKE ELEMENT	1	EA	
12	E9109655	COVER, BAKE TRAY	1	EA	
13	PC020221	HINGE POCKET RECEIVER MANSFIELD RH	1	EA	
14	PC020247	HINGE POCKET RECEIVER MANSFIELD LH	1	EA	

UPPER UNIT AREA AFTER 7-20-06



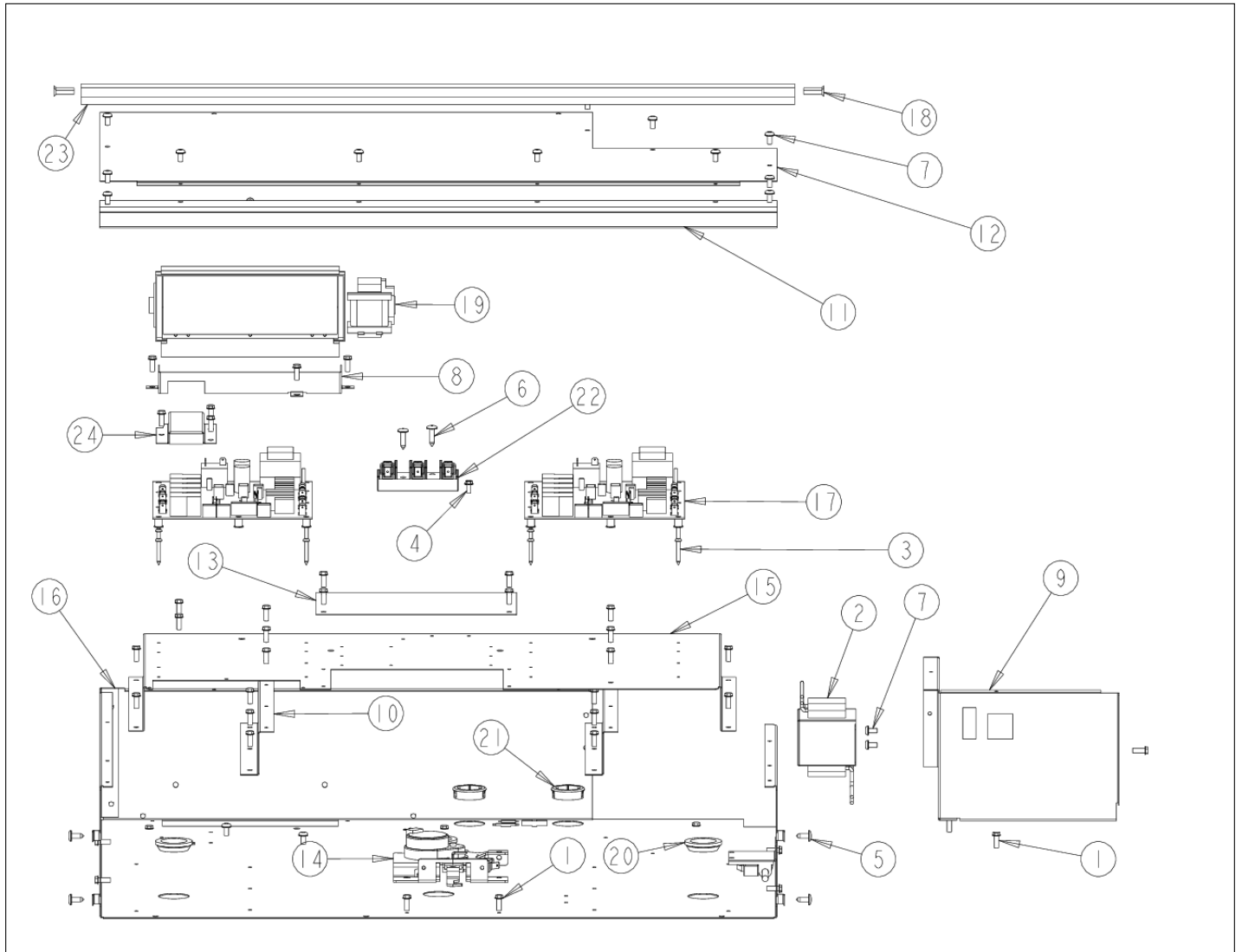


Item	Part No.	Name	Qty	Uom	NOTES
1	PD020060	10 X 1/2" (5/16)HEX WSHER HD.(T)A	1	EA	
2	PE070634	HALOGEN LIGHT TRANSFORMER	1	EA	NO LONGER AVAILABLE
Not Shown	NOTE	(Used only on units before serial # C-0396)		EA	
3	PD020185	Screw, 6 X 1" Pan Head	1	EA	
4	PD020010	10 X 3/8 GREEN GROUNDING SCREW	1	EA	
5	PD020061	' #8 X 3/4 FLAT HD TEK. *SS*	1	EA	
6	PD020002	10 X 1/2 PH.TR.HD.SMS.	1	EA	
7	PD020014	10X3/4 PH TR HD SMS	1	EA	
8	PD020004	10X3/8PH.HD.TYPE 25 REPL PD040125	1	EA	
9	A20010934	BRACKET, MODULE PAN	1	EA	
10	A20010910	Support Bracket, Electronics Hat	1	EA	Not available online / Call for pricing and availability
11	A20014048	Front Cover	1	EA	NO LONGER AVAILABLE, Not available online / Call for pricing and availability
12	A20014049	30" REAR COVER	1	EA	
13	A10010911	Latch Cover	1	EA	
14	013250-000	LATCH,DOOR,ASM,240V,GRID DLE LOCKOUT	1	EA	
15	A2009672	Electronics Hat	1	EA	NO LONGER AVAILABLE, Not available online / Call for pricing and availability
16	A2009643	Top Module Pan	1	EA	
17	002406-000	CONTROL BOARD	1	EA	
<p>Comments for Part Num. 002406-000</p> <p>haarnink@vikingrange.com on Jun 18, 2015</p> <p>For the international E Model numbers EVDSC5 we need to add the info that since First unit was EVDSC530S4B: 092314C10147281 any EVDSC built in 2014 went into production with EOC4. so here we need to add the part number 014000-000 EOC4 plus the SMPS part number 013999-000</p>					
18	PE050250	Blower	1	EA	



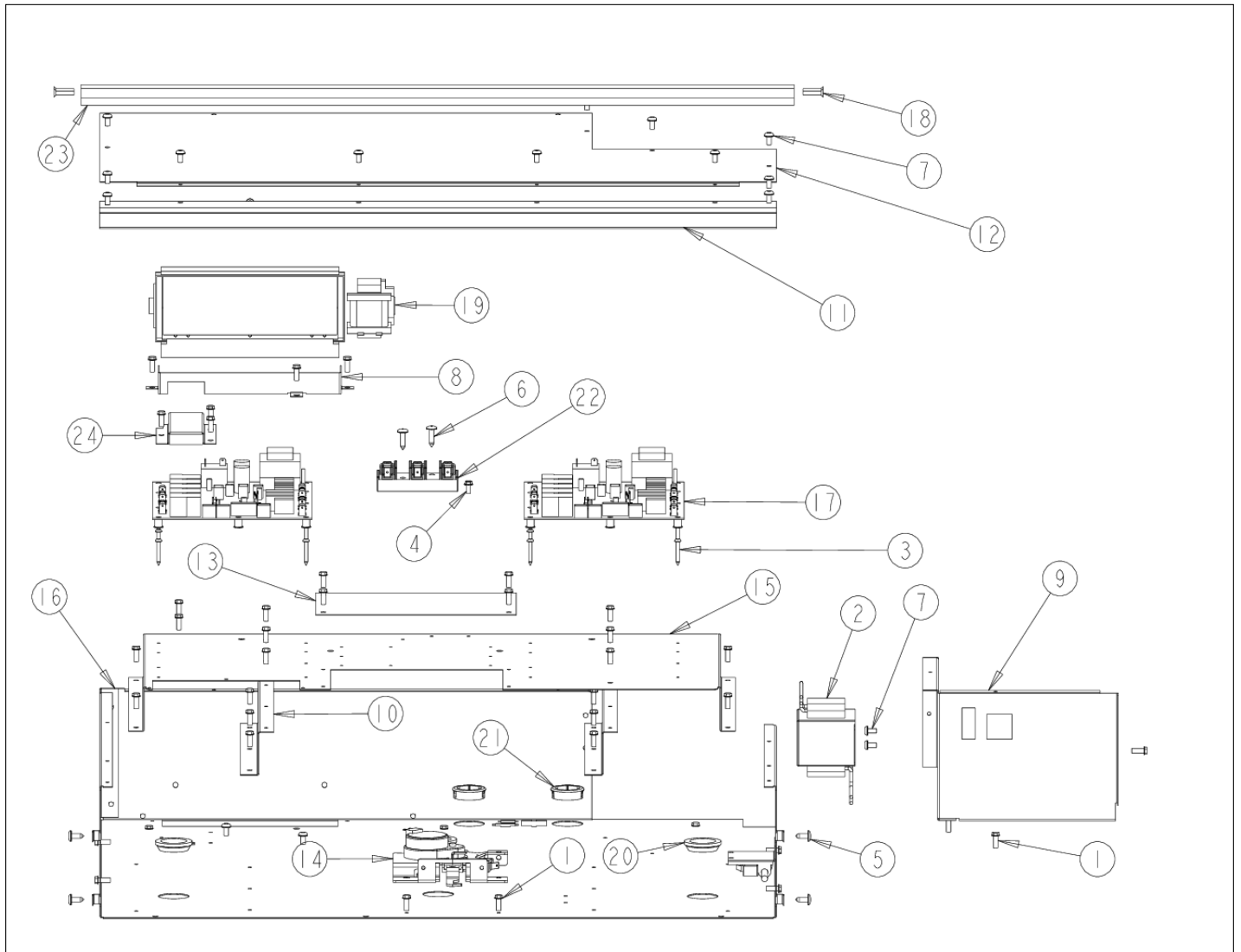
Item	Part No.	Name	Qty	Uom	NOTES
Comments for Part Num. PE050250 highendappsvc@gmail.com on Jan 28, 2019 If you need to replace cooling fan for the model vgsc5486gss serial date code 031412, do not order this fan, this fan is larger and configured wrong. The correct fan is 007794-000. it is smaller.					
19	A2009667	REAR AIR DIVIDER	1	EA	
20	PB070079	SILICONE EXTRUSION (DGSU)	1	EA	
21	PD040152	SNAP BUSHING	1	EA	
22	PE070147	TERMINAL BLOCK (VDSC)	1	EA	
23	PE040280	30" DES. TOP TRIM	1	EA	NO LONGER AVAILABLE

UPPER UNIT AREA BEFORE 7-20-06





Item	Part No.	Name	Qty	Uom	NOTES
1	PD020060	10 X 1/2" (5/16)HEX WSHER HD.(T)A	1	EA	
2	PE070634	HALOGEN LIGHT TRANSFORMER	1	EA	NO LONGER AVAILABLE
3	PD020185	Screw, 6 X 1" Pan Head	1	EA	
4	PD020010	10 X 3/8 GREEN GROUNDING SCREW	1	EA	
5	PD020002	10 X 1/2 PH.TR.HD.SMS.	1	EA	
6	PD020014	10X3/4 PH TR HD SMS	1	EA	
7	PD020004	10X3/8PH.HD.TYPE 25 REPL PD040125	1	EA	
8	A20014034	30" BLOWER BRACKET	1	EA	NO LONGER AVAILABLE
9	A20010934	BRACKET, MODULE PAN	1	EA	
10	A20010910	Support Bracket, Electronics Hat	1	EA	Not available online / Call for pricing and availability
11	A20014048	Front Cover	1	EA	NO LONGER AVAILABLE, Not available online / Call for pricing and availability
12	A20014049	30" REAR COVER	1	EA	
13	A10010911	Latch Cover	1	EA	
14	013250-000	LATCH,DOOR,ASM,240V,GRID DLE LOCKOUT	1	EA	
15	A2009672	Electronics Hat	1	EA	NO LONGER AVAILABLE, Not available online / Call for pricing and availability
16	A2009643	Top Module Pan	1	EA	
17	002406-000	CONTROL BOARD	1	EA	
<p>Comments for Part Num. 002406-000</p> <p>haarnink@vikingrange.com on Jun 18, 2015</p> <p>For the international E Model numbers EVDSC5 we need to add the info that sins First unit was EVDSC530S4B: 092314C10147281 any EVDSC built in 2014 went into production with EOC4. so here we need to add the part number 014000-000 EOC4 plus the SMPS part number 013999-000</p>					
18	PD020170	Screw, 6 X 1 Pan Hd	1	EA	
19	PE050250	Blower	1	EA	



Item	Part No.	Name	Qty	Uom	NOTES
Comments for Part Num. PE050250 highendappsvc@gmail.com on Jan 28, 2019 If you need to replace cooling fan for the model vgsc5486gss serial date code 031412, do not order this fan, this fan is larger and configured wrong. The correct fan is 007794-000. it is smaller.					
20	PB070079	SILICONE EXTRUSION (DGSU)	1	EA	
21	PD040152	SNAP BUSHING	1	EA	
22	PE070147	TERMINAL BLOCK (VDSC)	1	EA	
23	PE040280	30" DES. TOP TRIM	1	EA	NO LONGER AVAILABLE
24	A20014033	UPPER VENT COVER	1	EA	NO LONGER AVAILABLE, Not available online / Call for pricing and availability



Appendix A:Pages Index

CONTROL AREA 1
LOWER CONTROL HARNESS 2
LOWER DOOR ASSEMBLY 3
LOWER LATCH HARNESS 4
LOWER OVEN LOWER OVEN CAVITY 5
LOWER OVEN MAIN OVEN CAVITY 6
MIDDLE UNIT AREA 7
OVEN EXTERIOR - UPPER OVEN 8
OVEN INTERIOR - UPPER OVEN 9
REAR UNIT AREA 10
SIMPLE HARNESES 1 11
SIMPLE HARNESES 2 12
UPPER CONTROL HARNESS 13
UPPER DOOR ASSEMBLY 14
UPPER OVEN CAVITY 15
UPPER OVEN LOWER OVEN CAVITY 16
UPPER UNIT AREA AFTER 7-20-06 17
UPPER UNIT AREA BEFORE 7-20-06 18



Appendix B:Parts Index

000594-000	3, 14	A20014036	7
001097-000	9	A20014044	15
001451-000	14	A20014048	17, 18
001451-002	14	A20014049	17, 18
001451-003	14	A2009612	5, 16
001451-004	14	A2009620	10
001451-005	14	A2009622	6, 8
001451-006	14	A2009632	3, 14
001452-000	3	A2009641	15
001452-002	3	A2009643	17, 18
001452-003	3	A2009659	7
001452-004	3	A2009660	7
001452-005	3	A2009661	7
001452-006	3	A2009667	17
001497-000	3, 14	A2009671	10
002406-000	17, 18	A2009672	17, 18
013250-000	7, 17, 18	A2009682	7
017736-000	3, 14	A2009683	10
020403-000	15	A2009684	10
023797-000	3, 14	A2009696	5, 16
036047-000	1	A2009697	10
050578-000	10	A21010918	10
A10010907	10	A21010919	10
A10010911	17, 18	B21010915	5, 16
A10012648	10	B21010916	5, 16
A10014028	1	B92012625	1
A10014045	1	C90014072BK	1
A1002456	7	C9009676BK	5
A20010910	17, 18	C9009680BK	7
A20010934	17, 18	C92012625BK	1
A20012619	1	C92012625BT	1
A20012638	1	C92012625GG	1
A20012640	3, 14	C92012625SG	1
A20012641	3, 14	C92012625WH	1
A20012648	6	E91012614	6, 8, 9
A20012649	1, 7	E91012615	6
A20012650	6, 8	E91012616	6
A20014021	15	E91014053	6, 8
A20014033	18	E9107933	9
A20014034	18	E9107934	9
		E9109655	5, 16



G3009694	5	PB010314	1
G32012750BK	14	PB010314PVD	1
G32012750BKBR	14	PB010315	1
G32012750BT	14	PB020071	10
G32012750BTBR	14	PB020275	15
G32012750GG	14	PB040070	10
G32012750GGBR	14	PB060103	6, 9
G32012750SG	14	PB060104	6, 9
G32012750SGBR	14	PB060107	6, 9
G32012750SS	14	PB070079	7, 17, 18
G32012750SSBR	14	PB070246	3, 14
G32012750WH	14	PB070269	15, 16
G32012750WHBR	14	PB070271	6, 8
G32014008BK	3	PB070272	6, 8
G32014008BKBR	3	PB070302	6, 8
G32014008BT	3	PB070303	5
G32014008BTBR	3	PB070304	10
G32014008GG	3	PB070305	15
G32014008GGBR	3	PB070308	15
G32014008SG	3	PB070309	5, 16
G32014008SGBR	3	PB070312	9
G32014008SS	3	PB070321	7
G32014008SSBR	3	PB070336	3, 14
G32014008WH	3	PB070337	15
G32014008WHBR	3	PC020221	5, 16
G32014020	9	PC020247	5, 16
G40015469	1	PC050002	3, 14
G4005494	11	PD010003	1
G4005496	11	PD020002	3, 5, 8, 14, 17, 18
G4005497	11	PD020004	1, 3, 7, 14, 17, 18
G4005499	11	PD020006	1
G50015486	1	PD020010	17, 18
G91013598	9	PD020013	1, 7
G91014039	6, 8	PD020014	8, 17, 18
G9109625	3, 14	PD020032	3, 14
PA010093	1	PD020055	9, 15
PA010093PVD	1	PD020060	1, 5, 6, 7, 8, 9, 10, 15, 16, 17, 18
PA010194	1	PD020061	5, 16, 17
PA010194PVD	1	PD020062	5, 16
PA010195	1	PD020063	3, 5, 6, 7, 8, 9, 14, 16
PA010195PVD	1	PD020170	18



PD020185	17, 18	PM010014	15
PD020186	3, 14		
PD020232	6, 9		
PD020261	1		
PD030172	1		
PD040004	1, 7		
PD040152	17, 18		
PD040160	1		
PD040164	1		
PE030167	3, 14		
PE030167PVD	3, 14		
PE040280	17, 18		
PE040283	8		
PE040284	8		
PE040285	3, 14		
PE050078	1		
PE050205	15		
PE050206	15		
PE050208	1, 7		
PE050214	1		
PE050250	7, 17, 18		
PE060094	3, 14		
PE070147	17, 18		
PE070634	17, 18		
PE070733	11		
PE070736	2		
PE070738	11		
PE070739	11		
PE070740	4		
PE070741	12		
PE070742	13		
PE070744	12		
PE070763	12		
PJ010047	9		
PJ010048	5, 16		
PJ010049	15		
PJ030033	1		
PJ030034	1		
PJ030035	1		
PJ030039	7		
PJ030043	1		