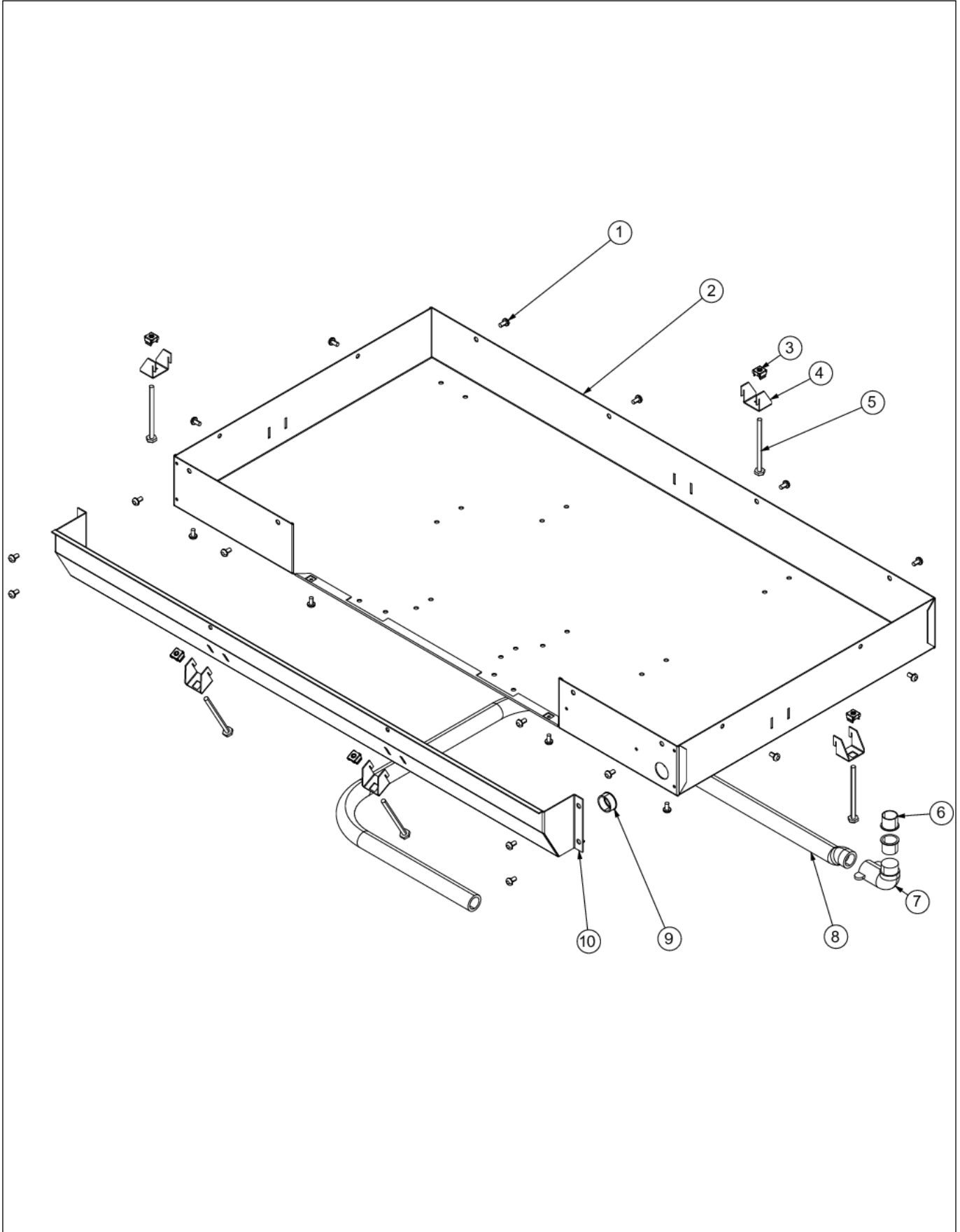


**DECU166-5B**

BURNER BOX AREA .....	1
CONTROL AREA .....	2
SURFACE COOKING AREA .....	3
Appendix A:Pages Index .....	A
Appendix B:Parts Index .....	B



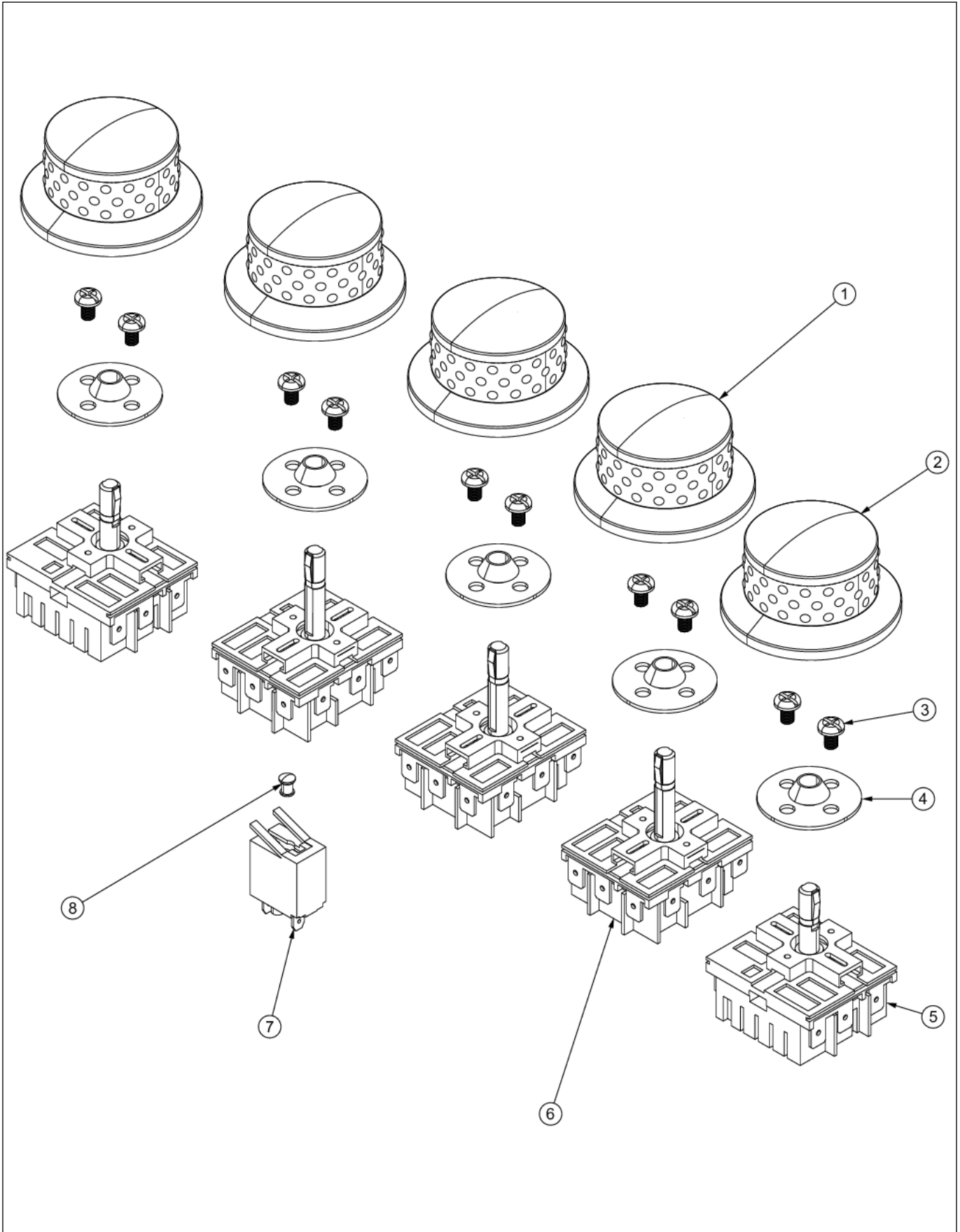
BURNER BOX AREA





Item	Part No.	Name	Qty	Uom	NOTES
1	PD020004	10X3/8PH.HD.TYPE 25 REPL PD040125	20	EA	
2	A2005708	BURNER BOX 36 (DECU)	1	EA	Not available online / Call for pricing and availability
3	PD030029	SELF RETAINING NUT (1/4-20)	5	EA	
4	A2005721	MOUNT BRACKET (DECU)	5	EA	
5	PD020123	BOLT 1/4-20 X 3 HEX HD	5	EA	
6	PD040034	CONDUIT GROMMET (1/2")	2	EA	
7	PB040070	CONDUIT FITTING (90 DEG)	1	EA	
8	PB020071	CONDUIT - FLEXIBLE (48")	1	EA	
9	PD040005	SNAP BUSHING - 7/8"	1	EA	
10	A2005798	DECU165 CONTROL COVER	1	EA	Not available online / Call for pricing and availability

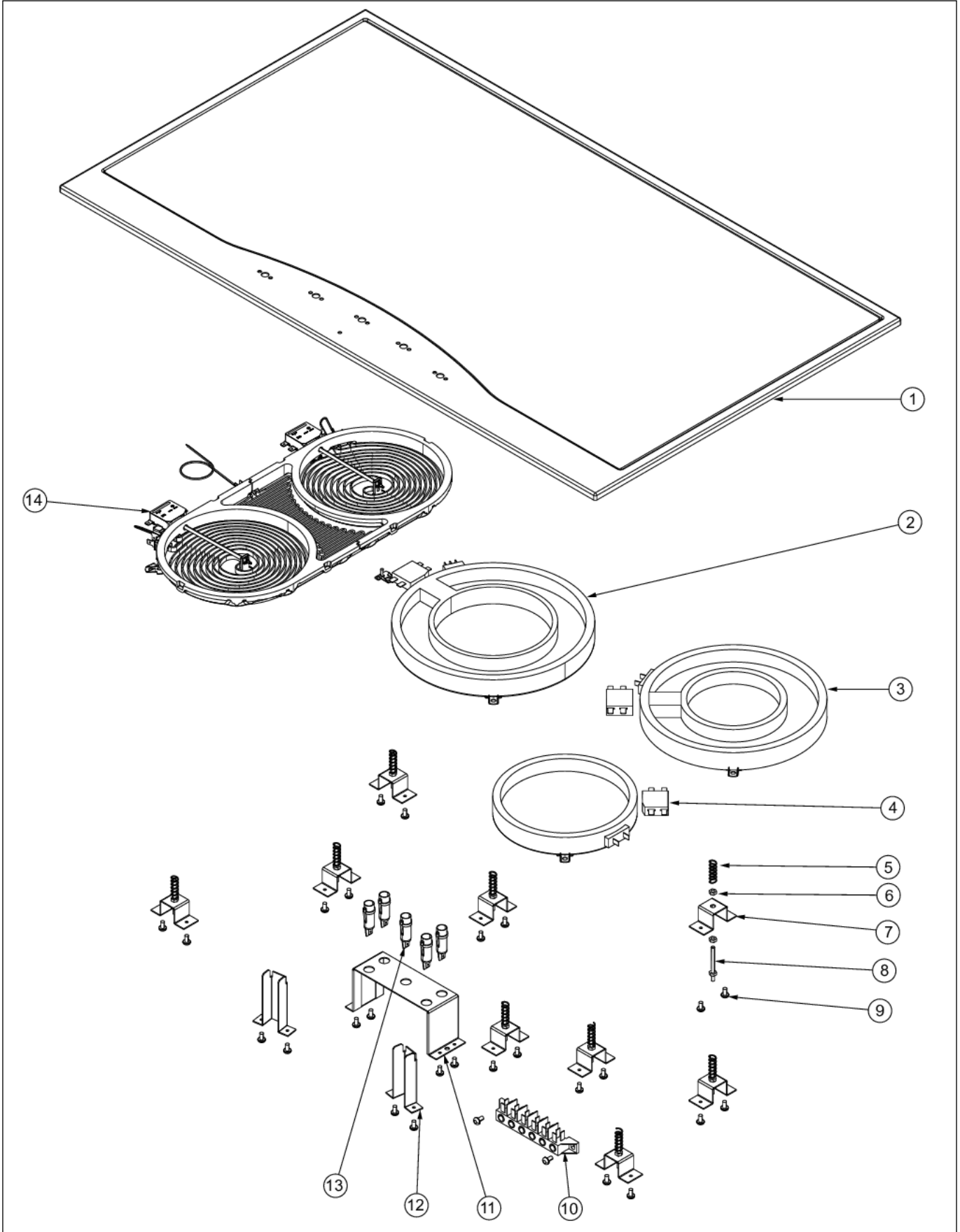
CONTROL AREA





Item	Part No.	Name	Qty	Uom	NOTES
1	014559-000	KNOB, BLACK, SLEEVE, DESG COOKTOP	3	EA	
NI	014560-000	KNOB, GRAY SLEEVE, DE COOKTOP	3	EA	Not available online / Call for pricing and availability
2	013957-000	KNOB, ASM, DESG COOKTOP	2	EA	
NI	013959-000	KNOB, ASM, GRAY, DOUBLE D INSERT, COOKTOP	2	EA	Not available online / Call for pricing and availability
3	PD020269	#8 PAN HEAD SCREW	10	EA	
4	PB070078	SILICONE GASKET (DESU)	5	EA	
5	PJ030049	SINGLE INFINITE SWITCH	2	EA	
6	G50013539	PJ030028 INFINITE SWITCH SERVICE KIT	3	EA	
7	017582-000	LIGHT HOUSING, BLUE NEON	1	EA	
8	017579-000	LENS, BLUE	1	EA	

SURFACE COOKING AREA







Item	Part No.	Name	Qty	Uom	NOTES
1	017277-000	TOP, BK -GLASS ASM, 36"	1	EA	
NI	019809-000	WH TOP, ASM, 36"	1	EA	
2	PJ020005	2500 ELEMENT	1	EA	
3	PJ020002	ELEMENT 2200 (750)	1	EA	
4	PJ020003	ELEMENT	1	EA	
5	PC010006	GUIDE SPRING DESU	9	EA	
6	PD040056	ELEMENT STUD NUT	18	EA	NO LONGER AVAILABLE
7	A2005715	GUIDE HAT BRACKET (DECU)	9	EA	
8	PD010148	ELEMENT STUD	9	EA	
9	PD020004	10X3/8PH.HD.TYPE 25 REPL PD040125	28	EA	
10	054135-000	BLOCK, TERMINAL, 6-POLE (Heyco # 9454)	1	EA	
11	A2005726	DECU36 LIGHT HOLDER	1	EA	
12	000630-000	DECU SUPPORT BRACKET	2	EA	
13	PE050113	DECU INDICATOR LIGHT (SP- 2185-BDPS)	5	EA	
14	PJ020004	ELEMENT-(2)1800 X 800	1	EA	



Appendix A:Pages Index

BURNER BOX AREA .....	1
CONTROL AREA .....	2
SURFACE COOKING AREA .....	3



Appendix B:Parts Index

000630-000 ..... 3  
013957-000 ..... 2  
013959-000 ..... 2  
014559-000 ..... 2  
014560-000 ..... 2  
017277-000 ..... 3  
017579-000 ..... 2  
017582-000 ..... 2  
019809-000 ..... 3  
054135-000 ..... 3  
A2005708 ..... 1  
A2005715 ..... 3  
A2005721 ..... 1  
A2005726 ..... 3  
A2005798 ..... 1  
G50013539 ..... 2  
PB020071 ..... 1  
PB040070 ..... 1  
PB070078 ..... 2  
PC010006 ..... 3  
PD010148 ..... 3  
PD020004 ..... 1, 3  
PD020123 ..... 1  
PD020269 ..... 2  
PD030029 ..... 1  
PD040005 ..... 1  
PD040034 ..... 1  
PD040056 ..... 3  
PE050113 ..... 3  
PJ020002 ..... 3  
PJ020003 ..... 3  
PJ020004 ..... 3  
PJ020005 ..... 3  
PJ030049 ..... 2