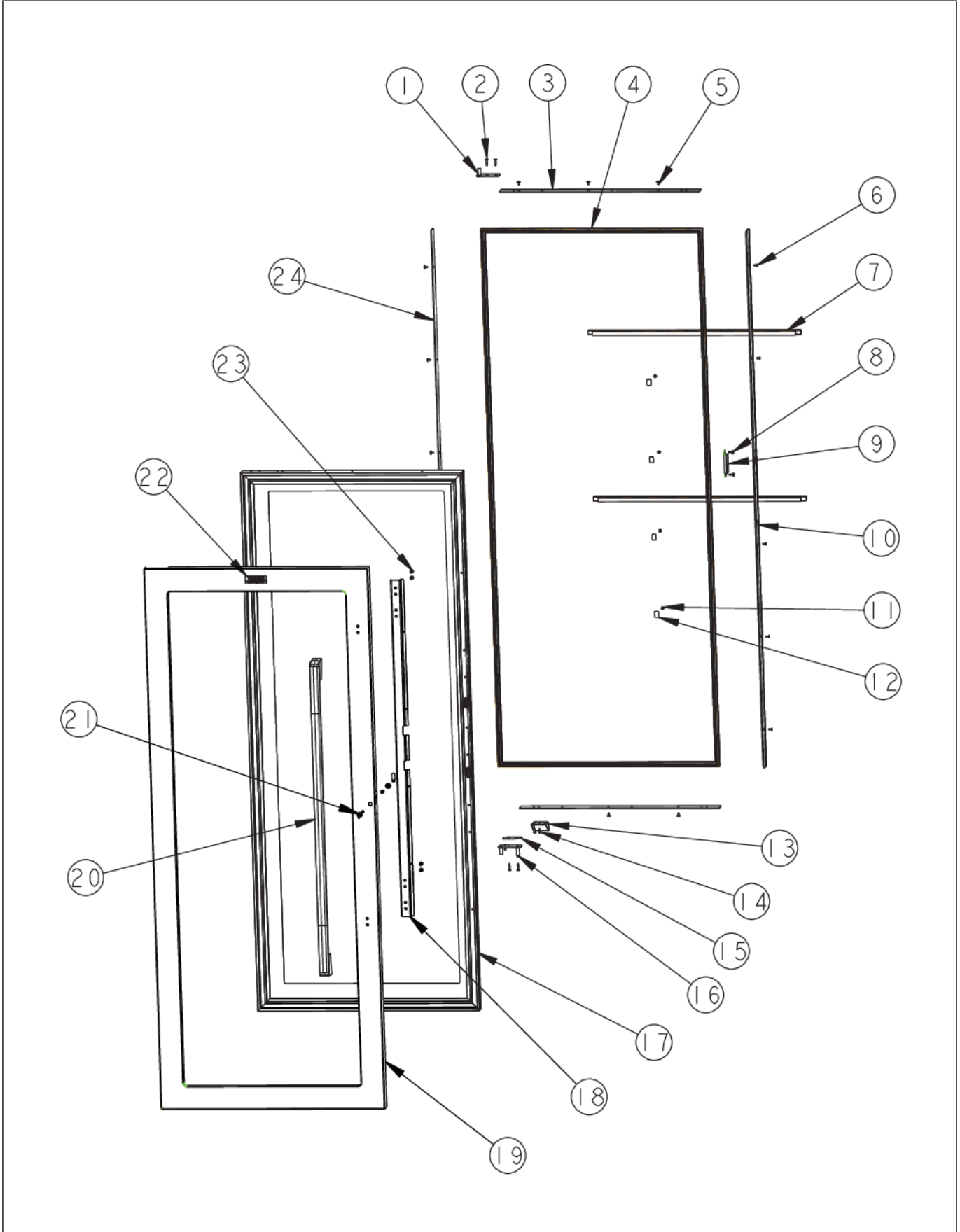


**DDWB301**

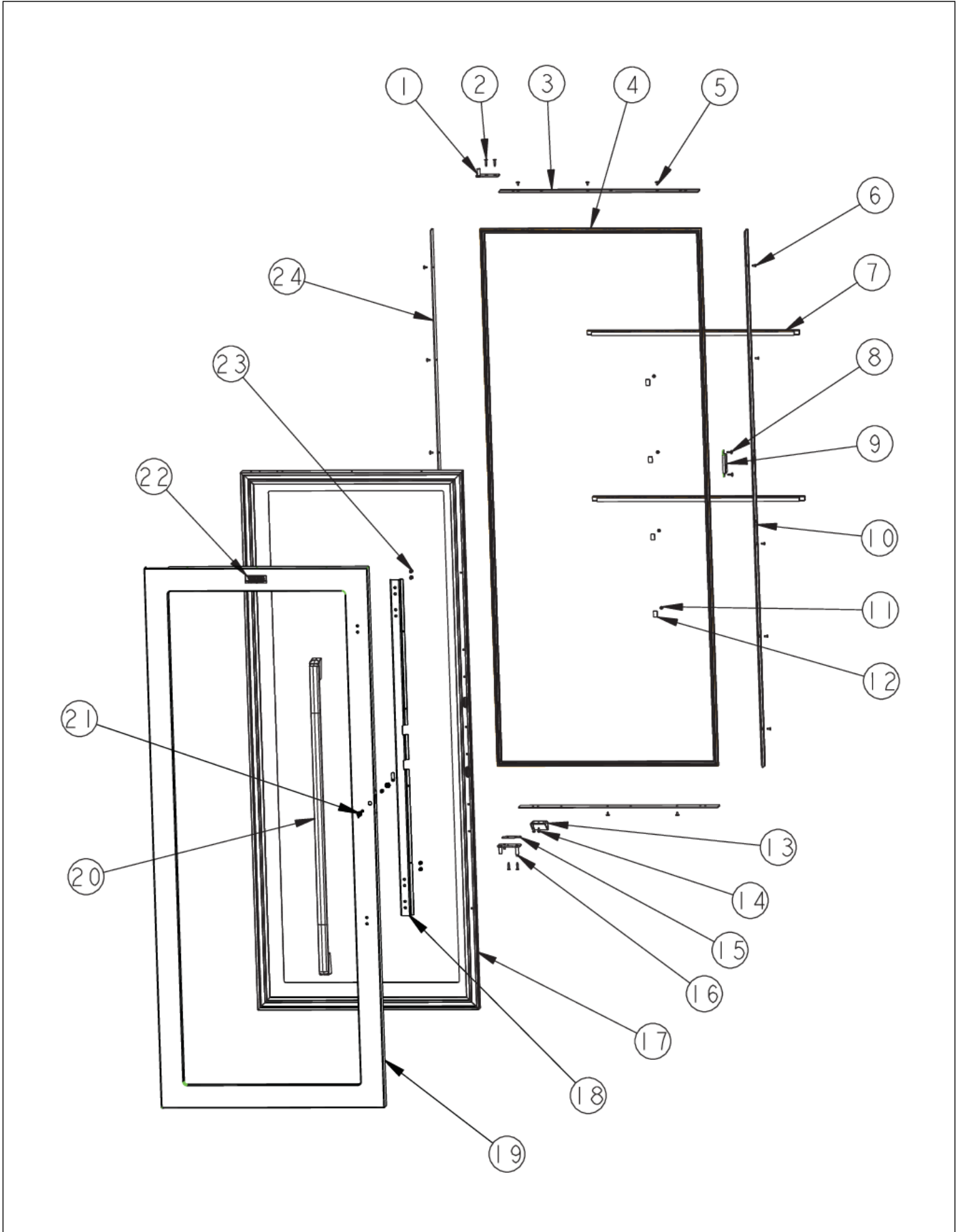
DOOR ASSEMBLY .....	1
EVAPORATOR AREA .....	2
EXTERIOR ASSEMBLY .....	3
INTERIOR ASSEMBLY .....	4
INTERIOR COMPARTMENT .....	5
LOWER UNIT AREA .....	6
MC COVER AND UPPER GRILLE ASSEM .....	7
UPPER UNIT AREA .....	8
Appendix A:Pages Index .....	A
Appendix B:Parts Index .....	B



DOOR ASSEMBLY



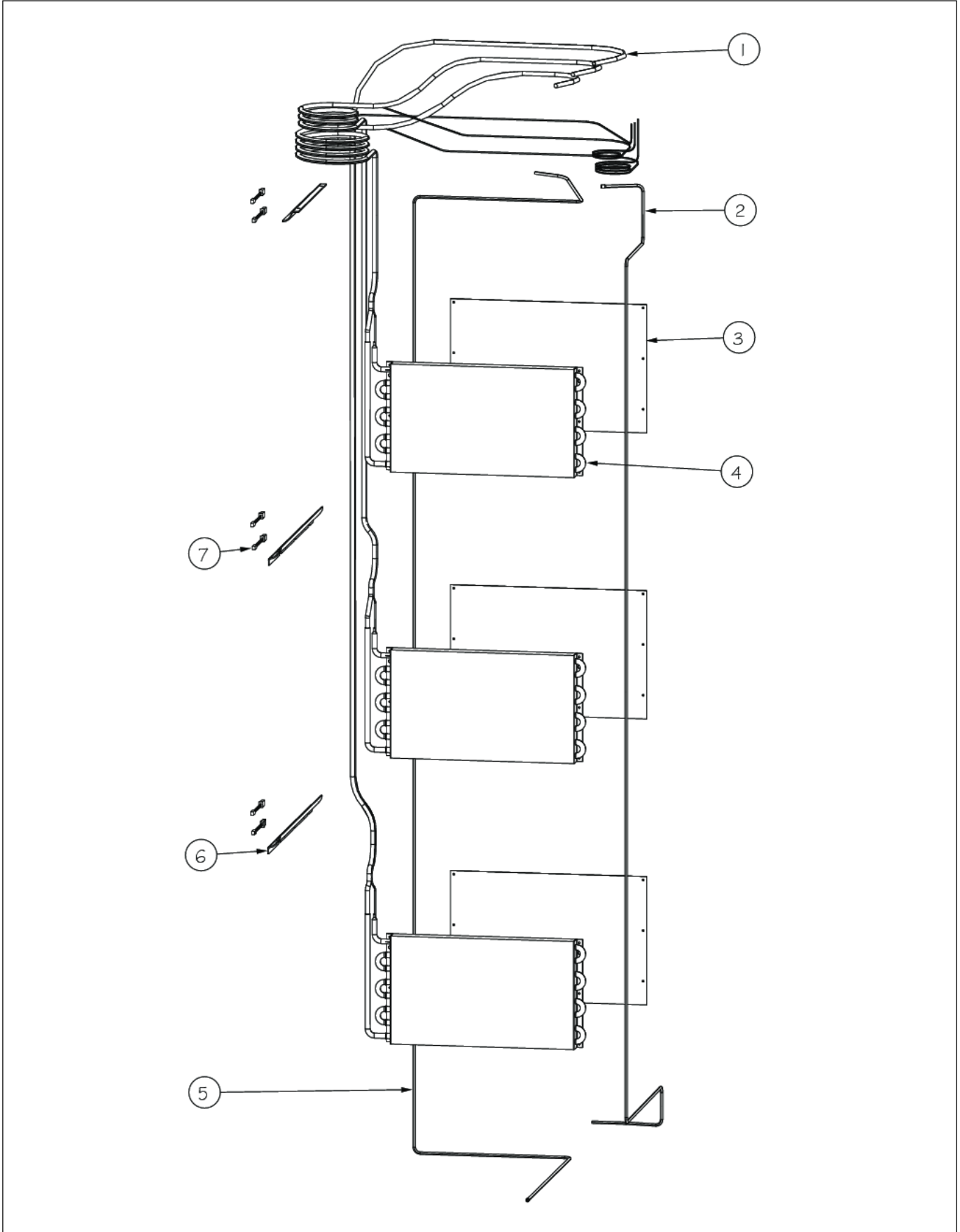
Item	Part No.	Name	Qty	Uom	NOTES
1	PC920132	PIVOT PLATE ASSY - LH	1	EA	
NI	PC920133	PIVOT PLATE ASSY - RH	1	EA	
2	PD920174	10X7/8 PHILLIPS SMA TRI LOBE SA	4	EA	
3	PK930099	SPACER - DOOR WC PRO	2	EA	
4	005504-000	GASKET,WC, FC	1	EA	Not available online / Call for pricing and availability
5	PD020032	SRW-8(A)X3/8"PH.WFR HD 7/16DIA*NICL	11	EA	
6	M0215318	SCREW-SM	5	EA	
7	PB970148	GASKET - WC DOOR SEAL	2	EA	
8	M0210458	Screw, SM	2	EA	
9	B2098666	COVER STRIKE	1	EA	
10	PK930155	SPACER - WC PRO / DES HANDLE	1	EA	
11	M0220417	SCREW-TC	4	EA	
12	PF910019	MYLAR ADHESIVE STRIP	4	EA	Not available online / Call for pricing and availability
13	PD050019	STRIKER DOOR SWITCH	1	EA	
14	PD020194	SCREW-SM	1	EA	
15	PD940092	SPACER - DOOR HINGE	2	EA	
16	PC920147	PIVOT PLATE ASSY - WC LH BOT	1	EA	
NI	PC920146	PIVOT PLATE ASSY - WC RH BOT	1	EA	
17	PM010595	DOOR GLASS ASM DES/PRO CLR	1	EA	
NI	PM010599	DOOR GLASS ASM DES PRO FLT	1	EA	
18	014636-000	BRACKET,HDL,WC DES	1	EA	
19	014339-000	SKIN,DOOR,WC DES LH	1	EA	
NI	014338-000	SKIN,DOOR,WC DES RH	1	EA	
20	014237-000	HANDLE,ASM,DES	1	EA	
21	001401-000	LOCKING, ARM ASM DES	1	EA	
22	013700-000	2.75" DESIGNER LOGO WITH PINS	1	EA	





Item	Part No.	Name	Qty	Uom	NOTES
23	008974-000	SCREW 10 - 32 X 3/4 SLOT HEX WASHER W/ LOCTITE	4	EA	
24	PK930103	SPACER - WC PRO/DES HINGE	1	EA	
NI	014353-000	SKIN,ASM,WC DES LH	1	EA	
NI	014352-000	SKIN,ASM,WC DES RH	1	EA	
NI	014649-000	DOOR,ASM,WC DES LH CLR	1	EA	
NI	014657-000	DOOR,ASM,WC DES RH CLR	1	EA	Not available online / Call for pricing and availability
NI	014640-000	DOOR,ASM,WC DES LH FLT	1	EA	Not available online / Call for pricing and availability
NI	014659-000	DOOR,ASM,WC DES RH FLT	1	EA	Not available online / Call for pricing and availability

EVAPORATOR AREA

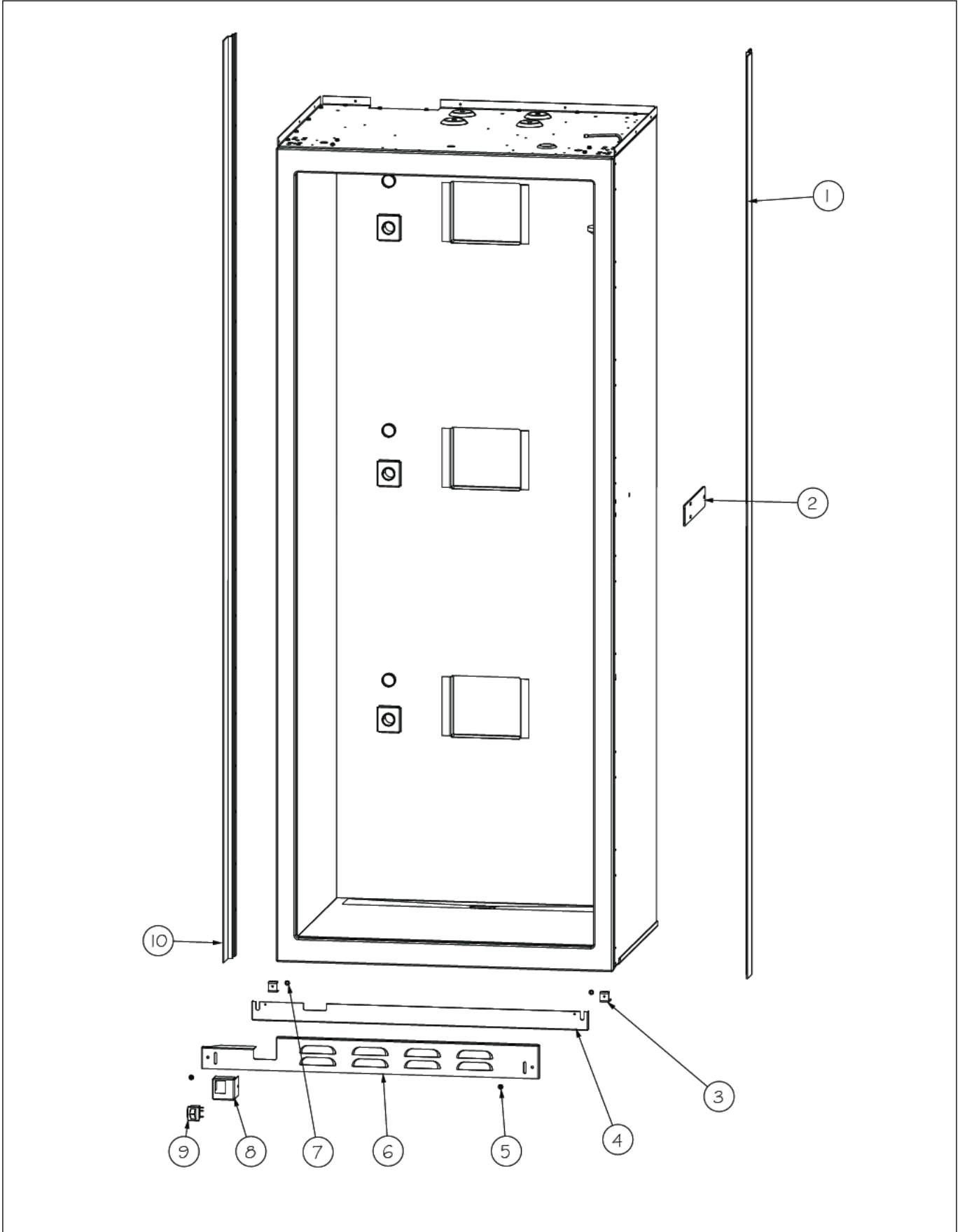






Item	Part No.	Name	Qty	Uom	NOTES
1	PB920158	HEAT EXCHANGE TUBING - TOP WC	1	EA	
2	F2098012	PC LOOP (97")	1	EA	
3	PK930088	DRAIN SHIELD - EVAP	3	EA	
4	PJ960001	EVAPORATOR ASSY	3	EA	
Comments for Part Num. PJ960001					
karen@knservice.com on Jul 11, 2017					
these keep me busy. watch out for contamination when changing. use nitrogen, and take your time.					
5	F2098043	DISCHARGE TUBING	1	EA	
6	PK930124	WIRE, CHANNEL	2	EA	
7	PJ930025	WC - THERMISTER A2253PT22P1	6	EA	
8	PK930089	EXTRUSION - WIRE CHANNEL	1	EA	

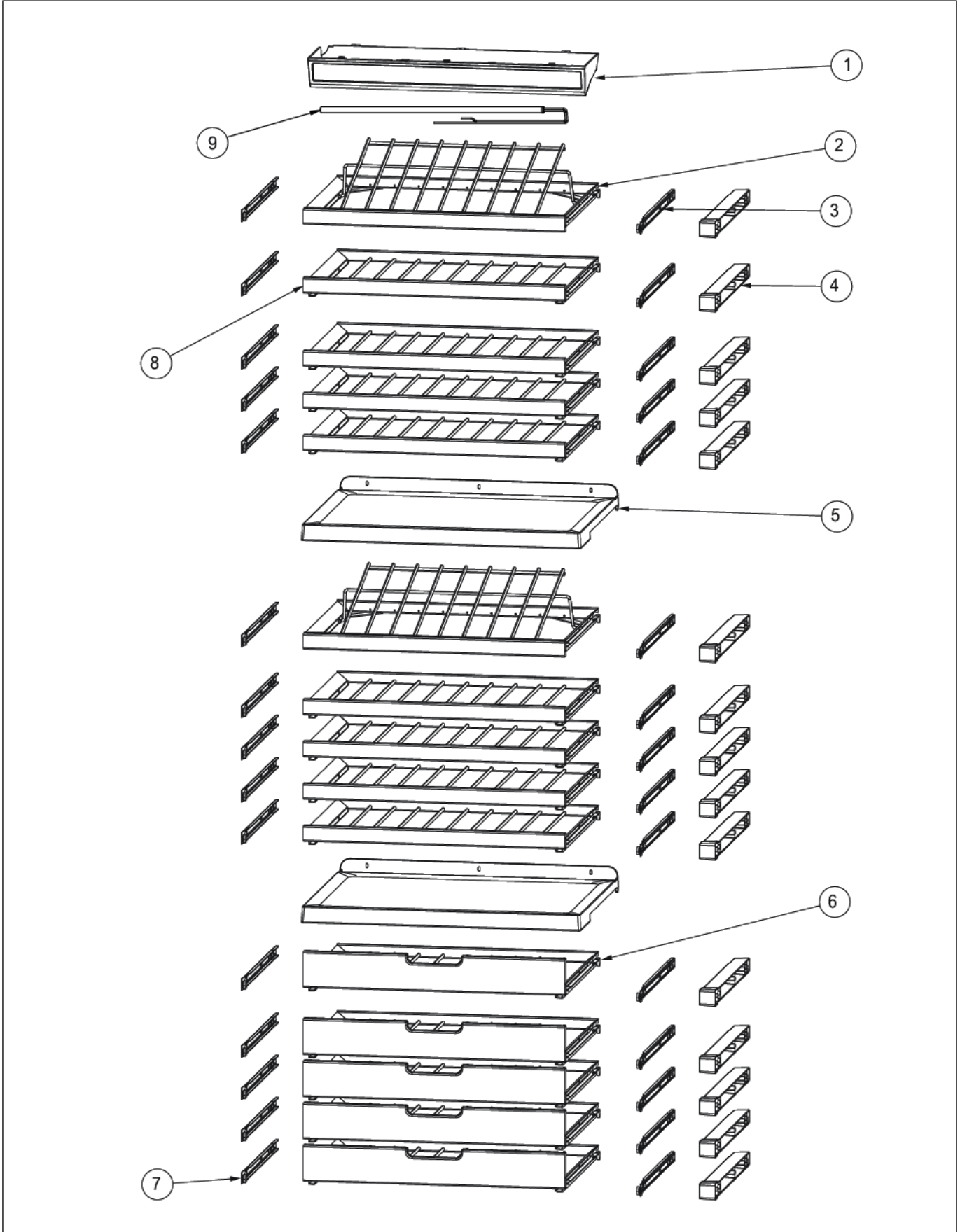
EXTERIOR ASSEMBLY





Item	Part No.	Name	Qty	Uom	NOTES
1	PK920032	SIDE TRIM - WC DES LH	1	EA	
2	PC920189	STRIKE PLATE	1	EA	
3	C2098044	STAND OFF, BASE GRILLE - RH	1	EA	
4	C2098048	BASE GRILLE - WC BOT LH	1	EA	
5	M0210443	SCREW-E SM VM0210443	2	EA	
6	C2098047	BASE GRILLE - WC TOP LH	1	EA	NO LONGER AVAILABLE
7	40370P01	NYLON FLAT WASHER V40370P01	2	EA	
8	L20915004	BASE GRILLE SWITCH MNT LH	1	EA	
9	PE950142	SWITCH EMB MODEL 602	1	EA	
10	PK920066	TRIM, EXTRU, SIDE DES	1	EA	
11	C2098096	STAND OFF, BASE GRILLE - LH	1	EA	

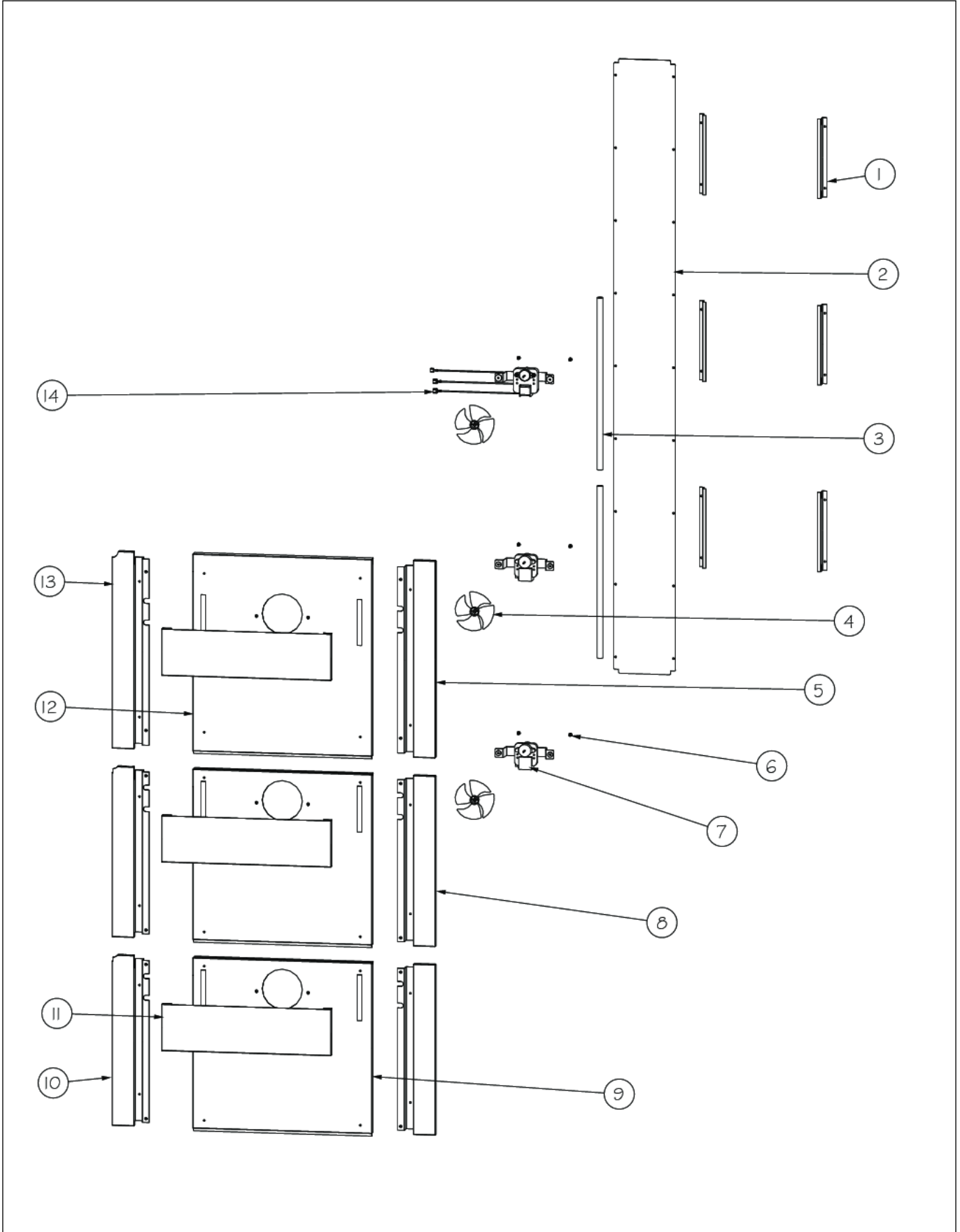
INTERIOR ASSEMBLY





Item	Part No.	Name	Qty	Uom	NOTES
1	PE940169	CONTROL PANEL ASSY	1	EA	
Comments for Part Num. PE940169					
gboltz@VikingRange.com on Sep 21, 2016					
SEE TR-0074-SP BULLETIN BEFORE ORDERING					
2	G5098397	WINE RACK ASSY COMP - ADJ	2	EA	
3	PK900030	WINE RACK SLIDE - CABINET R	14	EA	
4	PD940103	SPACER - WINE RACK	14	EA	
5	PE940181	MULLION SHELF	2	EA	
6	G3298396	WINE RACK ASM BOT	5	EA	
7	PK900029	WINE RACK SLIDE - CABINET L	15	EA	
8	G3298395	WINE RACK ASM TOP / MID	8	EA	
9	PE950116	LIGHT ASSY - AURA	1	EA	

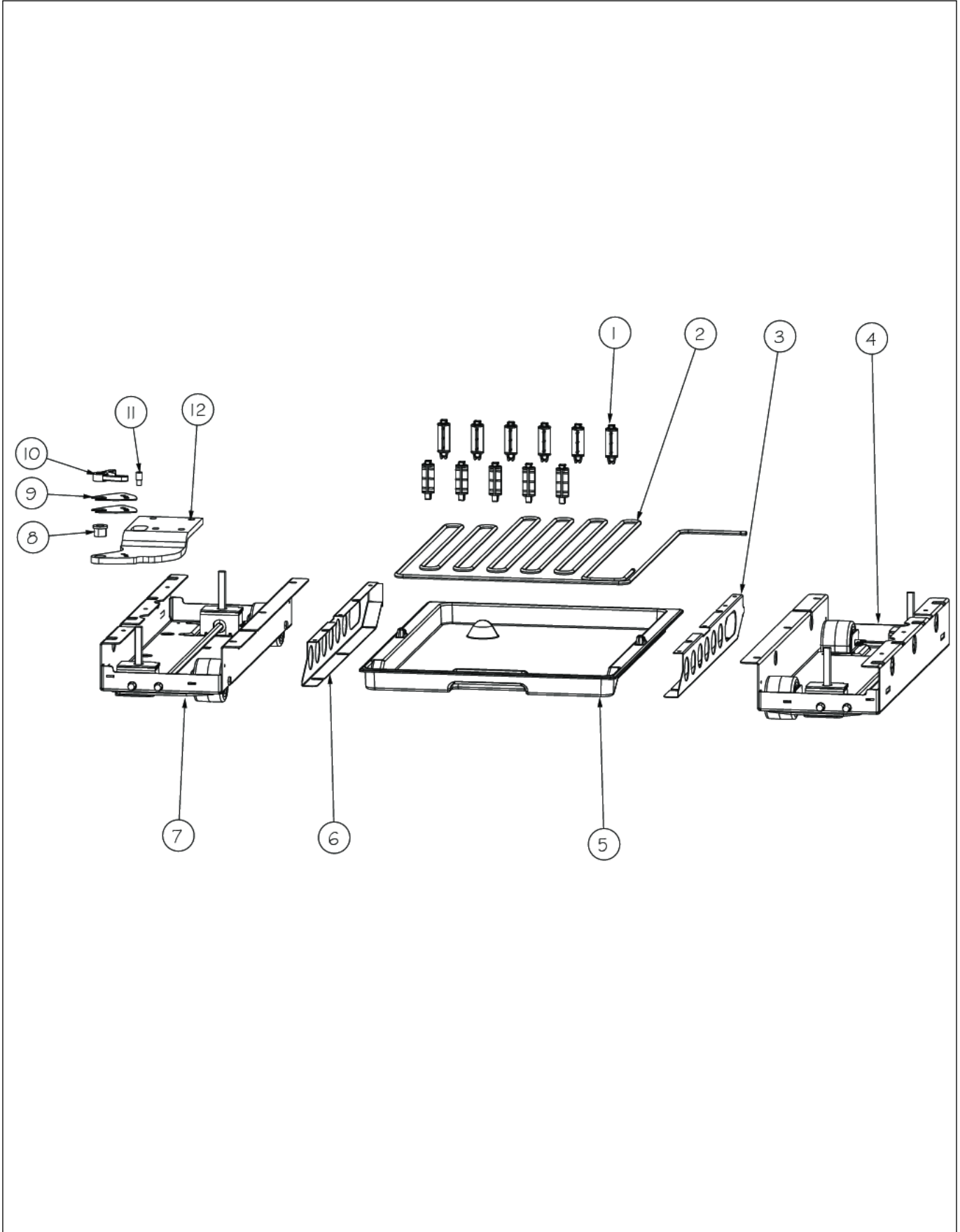
INTERIOR COMPARTMENT





Item	Part No.	Name	Qty	Uom	NOTES
1	K2098097	BAFFLE, EVAPORATOR	6	EA	
2	K2097557	REAR AIR DUCT COVER	1	EA	
3	PB920161	DRAIN TUBE	2	EA	
4	N/A	FAN-EVAP/4.330	3	EA	
Not Shown	NOTE	(ORDER ITEM 7)		EA	
5	K2099256	SIDE SPACER - EVAP COVER, TOP RT	1	EA	
6	M0238859	SCREW-SHLDR	6	EA	
7	063491-000	FAN, EVAP, ASSY	2	EA	
Not Shown	NOTE	(INCLUDES BLADE)		EA	
8	K2098019	SIDE SPACER EVAP MID/BTM	2	EA	
9	K2097593	EVAPORATOR COVER, MID/BTM	2	EA	
10	K2098090	SIDE SPACER - EVAP COVER MID LT	2	EA	
11	K2097591	EVAP FAN COVER	3	EA	
12	K2097596	EVAP COVER - TOP	1	EA	
13	K2099257	SIDE SPACER - EVAP COVER, TOP LEFT	1	EA	
14	063491-000	FAN, EVAP, ASSY	1	EA	

LOWER UNIT AREA

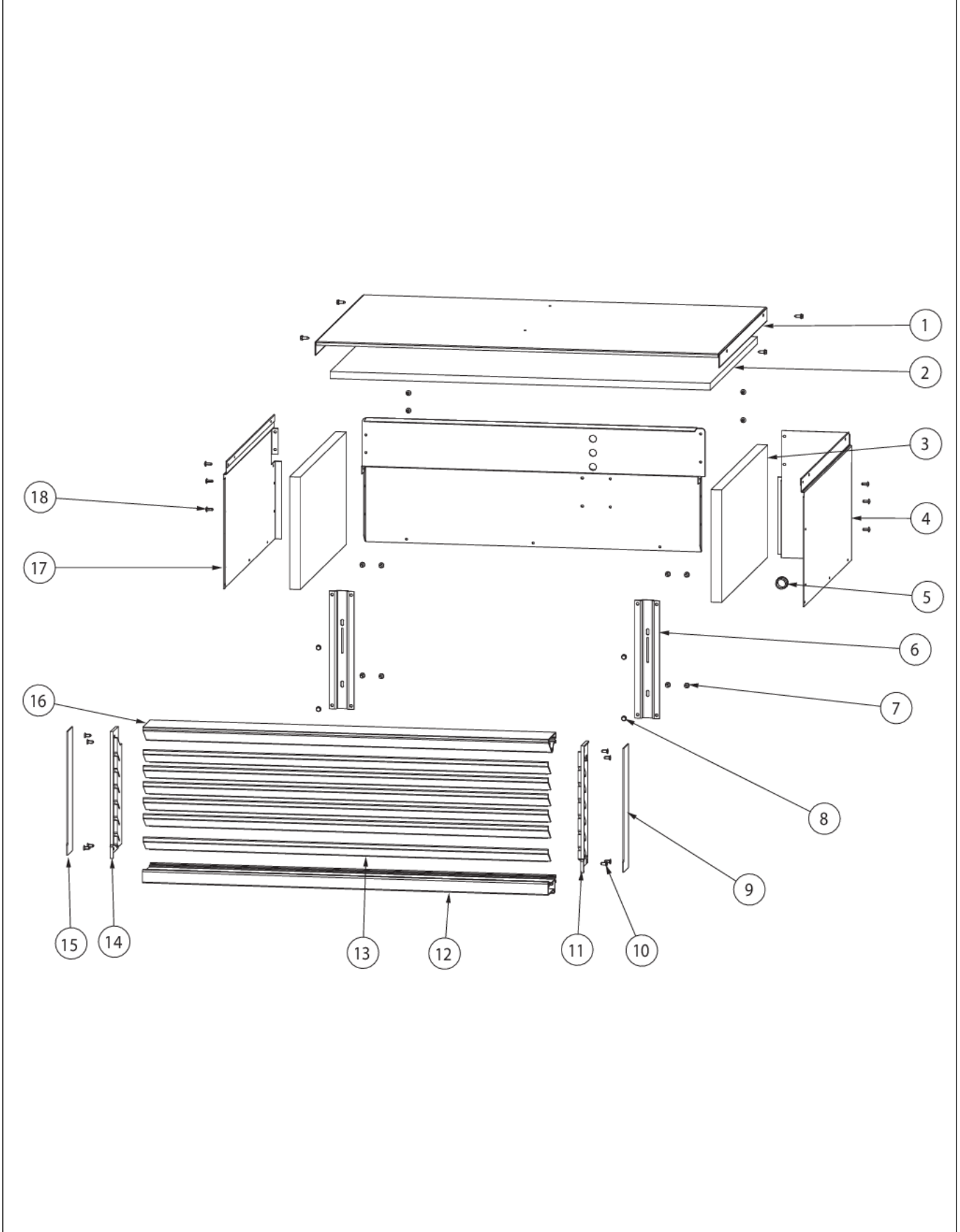






Item	Part No.	Name	Qty	Uom	NOTES
1	12071201	CLIP-DRAIN LOOP	11	EA	
2	F2098327	WC - SERPENTINE - DRAIN	1	EA	
3	K2098050	GUIDE RAIL, PAN, RH	1	EA	
4	060890-000	LEVELER MODULE R	1	EA	
5	12071301	PAN, DRAIN	1	EA	
6	K2098051	GUIDE RAIL, PAN, LH	1	EA	NO LONGER AVAILABLE
7	060891-000	LEVELER MODULE L	1	EA	
8	PD940090	BUSHING - WC DOOR LEVEL	1	EA	
9	PC920144	PLATE - WC DOOR SHIM	2	EA	
10	PD940091	BUSHING - DOOR STOP	1	EA	
11	PC920145	PIN - DOOR STOP	1	EA	
12	PC920143	HINGE PLATE - WC BOT LH	1	EA	

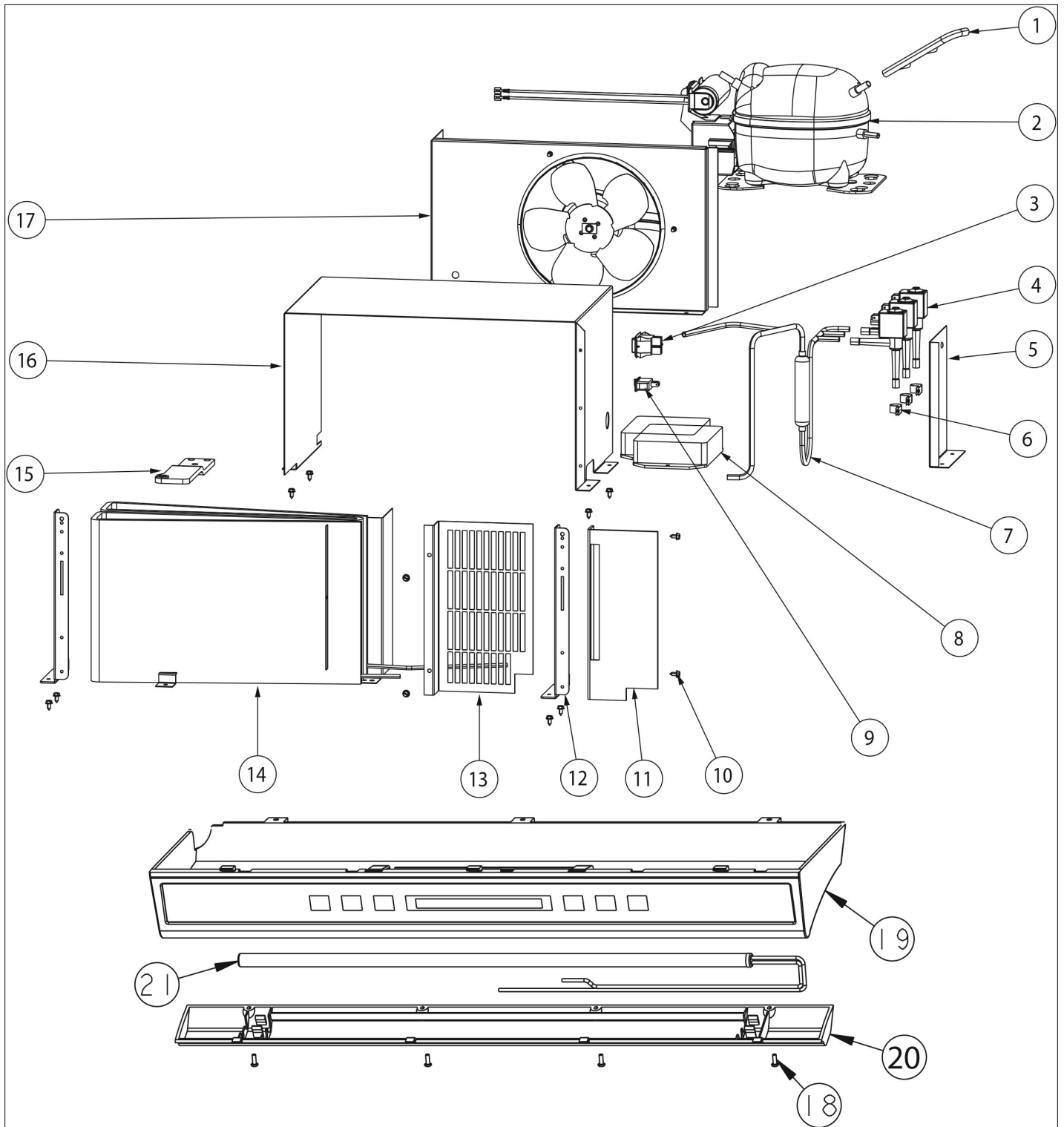
MC COVER AND UPPER GRILLE ASSEM





Item	Part No.	Name	Qty	Uom	NOTES
1	K2099930	MC TOP 30	1	EA	
2	PB070348	FOAM INSULATION-TOP	1	EA	
3	PB070346	FOAM INSULATION-LEFT SIDE	2	EA	
4	K2099459	MC SIDE (RIGHT)	1	EA	
5	A4554806	BUSHING-SNAP VA4554806	1	EA	
6	C2097594	BRACKET - MOUNTING WC	2	EA	NO LONGER AVAILABLE, Not available online / Call for pricing and availability
7	M0220417	SCREW-TC	8	EA	
8	PD020194	SCREW-SM	8	EA	
9	023365-000	COVER - END CAP RH	1	EA	
10	M0215318	SCREW-SM	8	EA	
11	PM910322	ENDCAP GRILLE R	1	EA	
12	PM910181	GRILLE - LOWER LH	1	EA	
13	PM910180	GRILLE - MIDDLE WC	6	EA	
14	PM910321	ENDCAP GRILLE L	1	EA	
15	023366-000	COVER - END CAP LH	1	EA	
16	PM910179	GRILLE - UPPER	1	EA	
17	K2099460	MC SIDE L	1	EA	
18	PC040010	POP RIVET (.063/GR -.125) GAMD42-A	10	EA	

UPPER UNIT AREA





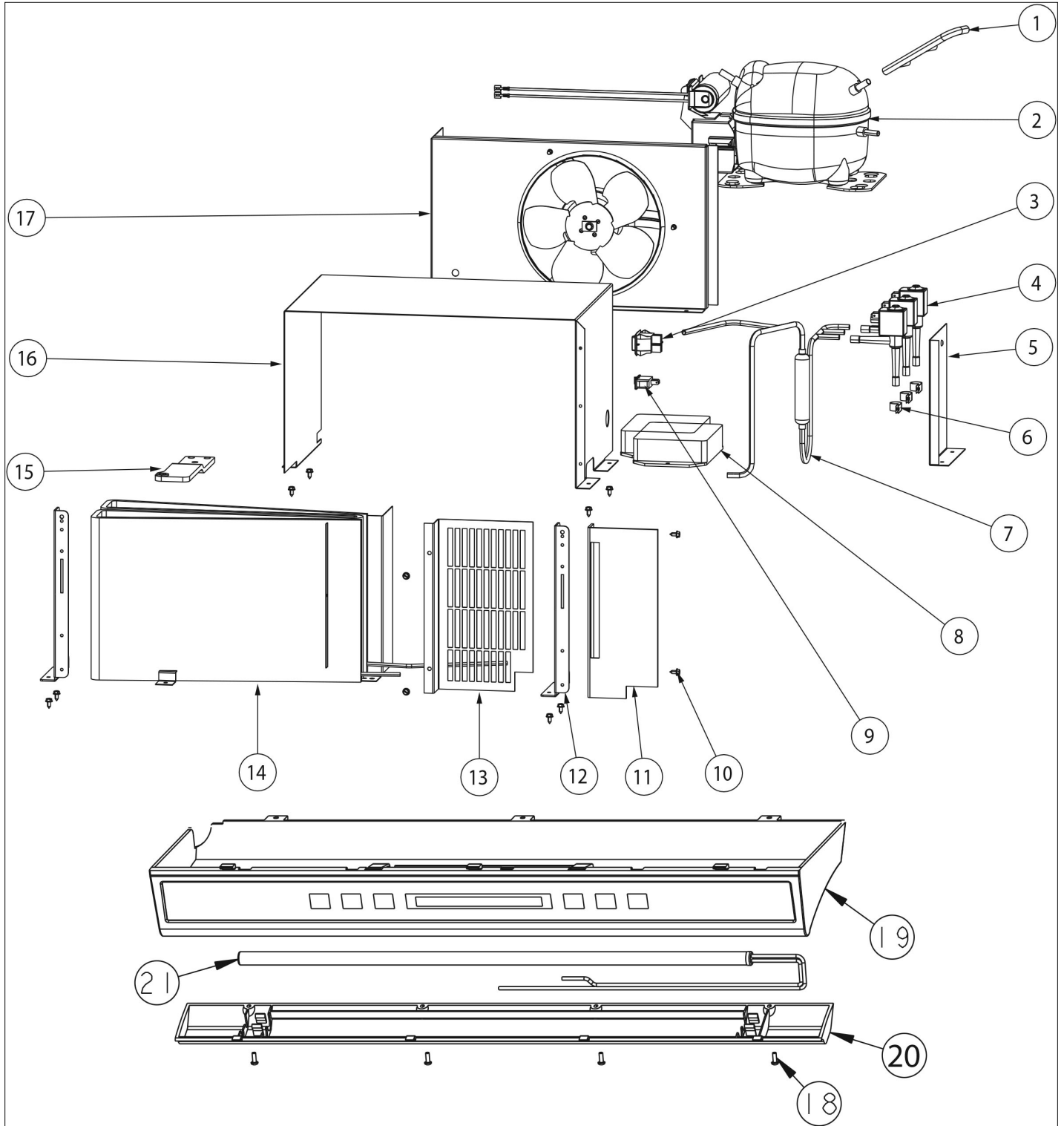
Item	Part No.	Name	Qty	Uom	NOTES
1	PA050127	T-MANIFOLD	1	EA	
2	G50915706	COMPRESSOR AND ELECTRICALS WC	1	EA	
3	PE950149	SWITCH POWER	1	EA	
4	PJ970001	FLUID CONTROL VALVE (HV287544001 SPECIAL-104LN020ACLG)	1	EA	
5	K2097560	MOUNTING BRACKET FLUID CONTROL	1	EA	
6	M0102303	Clamp, Tube	1	EA	
7	PB920159	DRYER	1	EA	
8	PE970388	WINE CELLAR CONTROL (RC120A4294)	1	EA	
9	PE950124	SWITCH - ROCKER	1	EA	
10	M0211016	SCREW-SM	12	EA	
11	L20911886	GUARD MC- WC RIGHT	1	EA	
12	K20912569	BRACKET GRILLE SUPPORT	2	EA	
13	L20911883	GUARD MC- WC	1	EA	
14	PB920171	CONDENSER ASM	1	EA	
15	PC920131	HINGE PLATE - LH UPPER	1	EA	
16	K2098054	COVER - CONDENSOR COIL	1	EA	
17	G5096494	COND. FAN ASSY	1	EA	
18	PD020076	6-32 X 3/8" PHILL PAN MS	1	EA	
19	PE940169	CONTROL PANEL ASSY	1	EA	

Comments for Part Num. PE940169

gboltz@VikingRange.com on Sep 21, 2016

SEE TR-0074-SP BULLETIN BEFORE ORDERING

Not Shown	NOTE	FOR UNITS BUILT AFTER SERIAL 031212R10003440		EA	
Not Shown	042034-000	VSD DISPLAY KIT FOR TR-0074-SP BULLETIN	1	EA	
Not Shown	NOTE	FOR UNITS BUILT ON OR BEFORE SERIAL 031212R10003440		EA	
20	PK930101	HOLDER - LAMP	1	EA	Not available online / Call for pricing and availability





Item	Part No.	Name	Qty	Uom	NOTES
21	PE950116	LIGHT ASSY - AURA	1	EA	



Appendix A:Pages Index

DOOR ASSEMBLY ..... 1  
EVAPORATOR AREA .....2  
EXTERIOR ASSEMBLY ..... 3  
INTERIOR ASSEMBLY .....4  
INTERIOR COMPARTMENT ..... 5  
LOWER UNIT AREA ..... 6  
MC COVER AND UPPER GRILLE ASSEM .....7  
UPPER UNIT AREA ..... 8





Appendix B:Parts Index

001401-000	1	K2097560	8
005504-000	1	K2097591	5
008974-000	1	K2097593	5
013700-000	1	K2097596	5
014237-000	1	K2098019	5
014338-000	1	K2098050	6
014339-000	1	K2098051	6
014352-000	1	K2098054	8
014353-000	1	K2098090	5
014636-000	1	K2098097	5
014640-000	1	K2099256	5
014649-000	1	K2099257	5
014657-000	1	K2099459	7
014659-000	1	K2099460	7
023365-000	7	K2099930	7
023366-000	7	L20911883	8
042034-000	8	L20911886	8
060890-000	6	L20915004	3
060891-000	6	M0102303	8
063491-000	5, 5	M0210443	3
12071201	6	M0210458	1
12071301	6	M0211016	8
40370P01	3	M0215318	1, 7
A4554806	7	M0220417	1, 7
B2098666	1	M0238859	5
C2097594	7	PA050127	8
C2098044	3	PB070346	7
C2098047	3	PB070348	7
C2098048	3	PB920158	2
C2098096	3	PB920159	8
F2098012	2	PB920161	5
F2098043	2	PB920171	8
F2098327	6	PB970148	1
G3298395	4	PC040010	7
G3298396	4	PC920131	8
G50915706	8	PC920132	1
G5096494	8	PC920133	1
G5098397	4	PC920143	6
K20912569	8	PC920144	6
K2097557	5	PC920145	6
		PC920146	1



PC920147 ..... 1  
PC920189 ..... 3  
PD020032 ..... 1  
PD020076 ..... 8  
PD020194 ..... 1, 7  
PD050019 ..... 1  
PD920174 ..... 1  
PD940090 ..... 6  
PD940091 ..... 6  
PD940092 ..... 1  
PD940103 ..... 4  
PE940169 ..... 4, 8  
PE940181 ..... 4  
PE950116 ..... 4, 8  
PE950124 ..... 8  
PE950142 ..... 3  
PE950149 ..... 8  
PE970388 ..... 8  
PF910019 ..... 1  
PJ930025 ..... 2  
PJ960001 ..... 2  
PJ970001 ..... 8  
PK900029 ..... 4  
PK900030 ..... 4  
PK920032 ..... 3  
PK920066 ..... 3  
PK930088 ..... 2  
PK930089 ..... 2  
PK930099 ..... 1  
PK930101 ..... 8  
PK930103 ..... 1  
PK930124 ..... 2  
PK930155 ..... 1  
PM010595 ..... 1  
PM010599 ..... 1  
PM910179 ..... 7  
PM910180 ..... 7  
PM910181 ..... 7  
PM910321 ..... 7  
PM910322 ..... 7