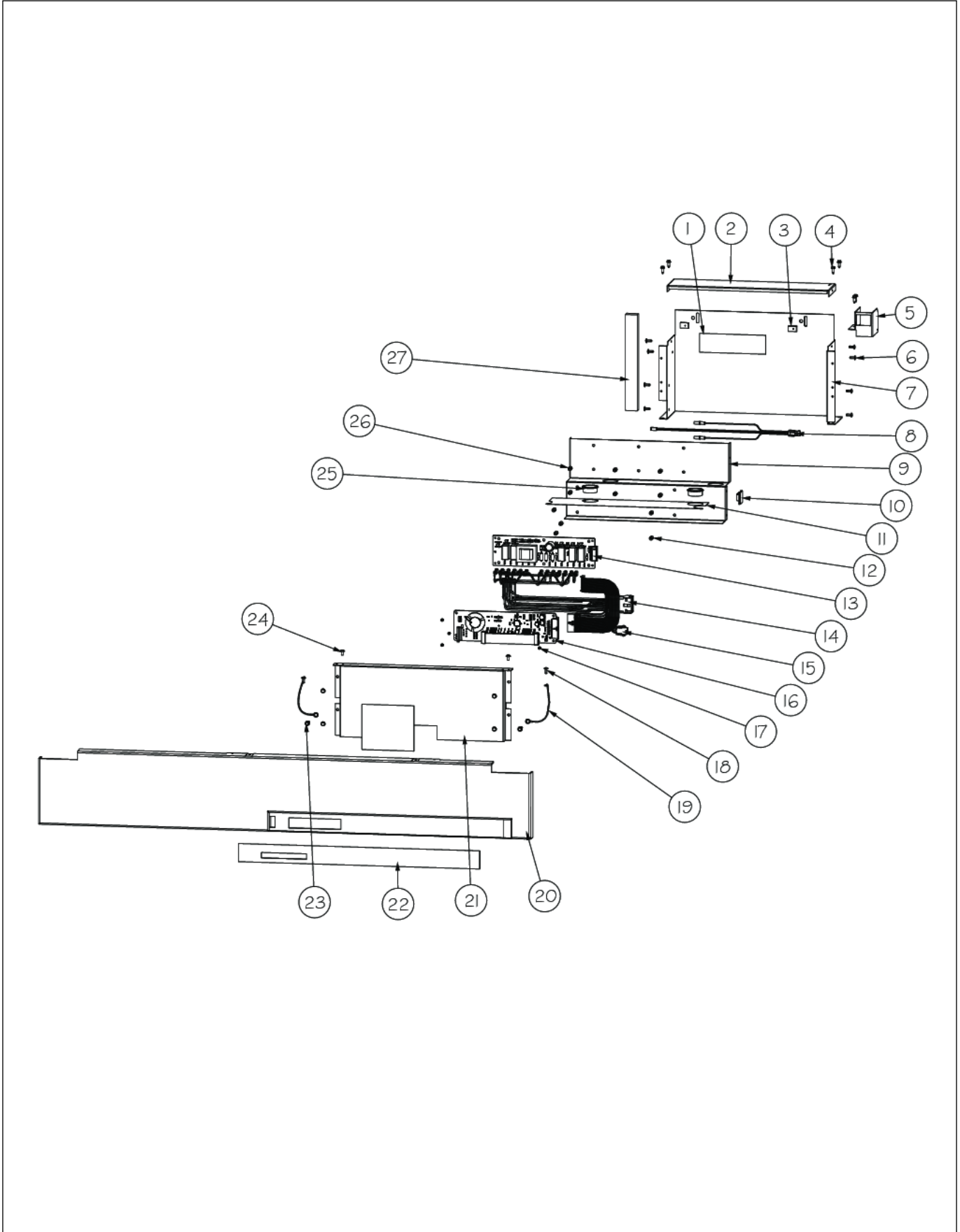


**DDSB542D**

|                                       |    |
|---------------------------------------|----|
| CONTROL ASSEMBLY .....                | 1  |
| EXTERIOR ASSEMBLY .....               | 2  |
| FREEZER DOOR ASSEMBLY .....           | 3  |
| FREEZER INTERIOR ASSEMBLY .....       | 4  |
| LOW SIDE ASSEMBLY .....               | 5  |
| LOWER UNIT ASSEMBLY .....             | 6  |
| MC COVER AND UPPER GRILLE ASSEM ..... | 7  |
| REFRIG DOOR ASSEMBLY .....            | 8  |
| REFRIG INTERIOR ASSEMBLY .....        | 9  |
| SEALED SYSTEM ASSEMBLY .....          | 10 |
| WIRING .....                          | 11 |
| Appendix A:Pages Index .....          | A  |
| Appendix B:Parts Index .....          | B  |



CONTROL ASSEMBLY



| Item | Part No.   | Name                               | Qty | Uom | NOTES |
|------|------------|------------------------------------|-----|-----|-------|
| 1    | PF930672   | LABEL DC COMPRESSOR                | 2   | EA  |       |
| 2    | K20915000  | CONTROL BOX TOP                    | 1   | EA  |       |
| 3    | M0288120   | NUT-SPEED VM0288120                | 2   | EA  |       |
| 4    | PD020194   | SCR, HEX SRTD WSHR HD, #8-18 X 1/2 | 10  | EA  |       |
| 5    | K2098654   | Bracket, Power Switch              | 1   | EA  |       |
| 6    | PC040010   | POP RIVET (.063/GR -.125) GAMD42-A | 8   | EA  |       |
| 7    | K2099402   | CONTROL BOX                        | 1   | EA  |       |
| 8    | PE970609   | HARNESS CONTROL BOARD 5 SERIES     | 1   | EA  |       |
| 9    | K20910060  | BRACKET - PC                       | 1   | EA  |       |
| 10   | M0104106   | CLIP-CORD VM0104106                | 1   | EA  |       |
| 11   | 005396-000 | FILM,PROTECTIVE                    | 1   | EA  |       |
| 12   | M0585506   | SUPPORT                            | 5   | EA  |       |
| 13   | 005319-000 | POWER CONTROL BOARD ASM 5 SERIES   | 1   | EA  |       |

Comments for Part Num. 005319-000

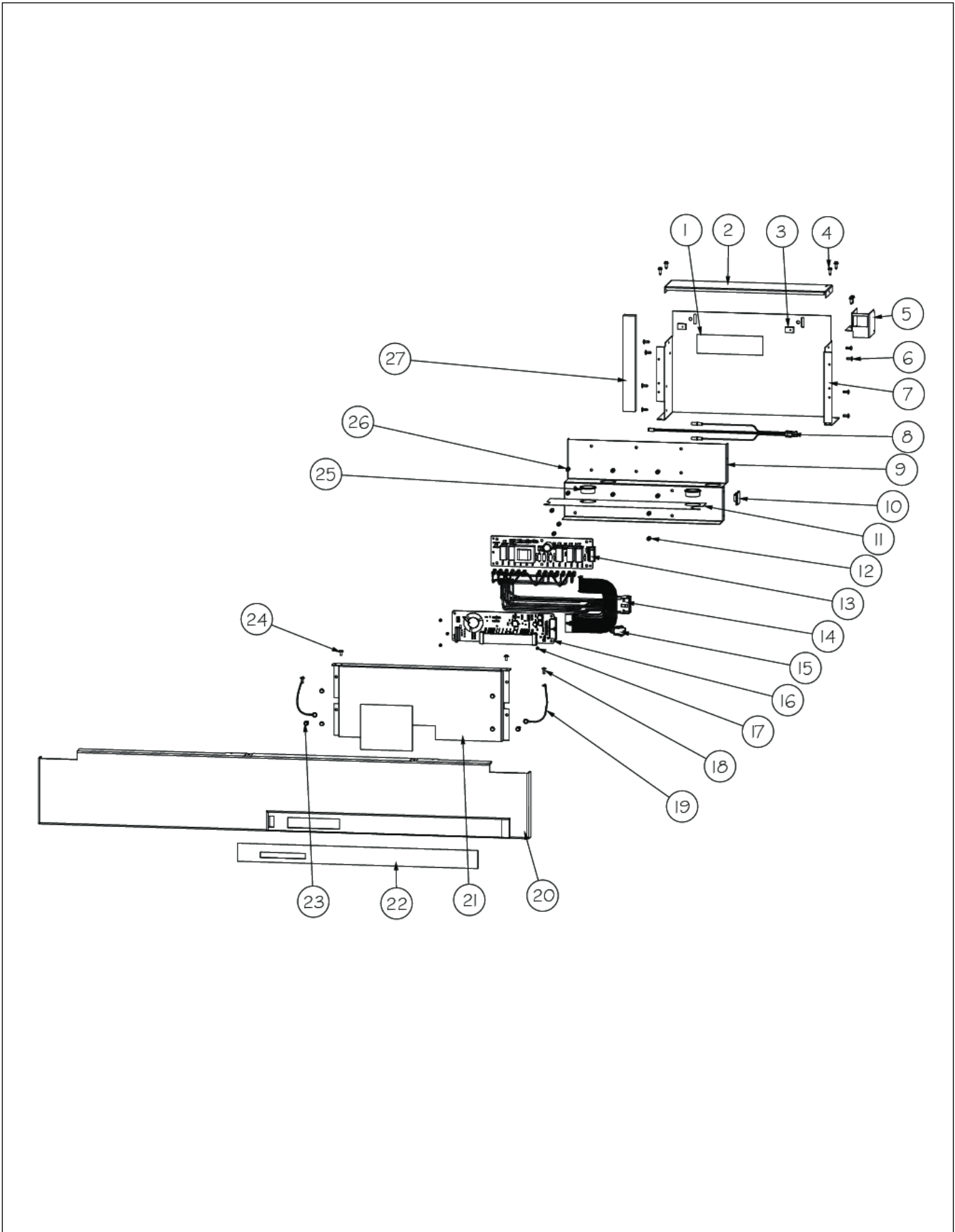
boltz on Apr 12, 2018  
See TR-0056-SP Bulletin

|    |          |                             |   |    |  |
|----|----------|-----------------------------|---|----|--|
| 14 | PE070785 | Harness, High Voltage Board | 1 | EA |  |
| 15 | PE970464 | HARNESS LOW VOLT 5 SERIES   | 1 | EA |  |
| 16 | PE070728 | BOARD LOW VOLTAGE           | 1 | EA |  |

Comments for Part Num. PE070728

bradleysapplianceservice@shaw.ca on Apr 27, 2016  
COULD ALSO USE: 002670-000 LOW VOLTAGE BOARD KIT ANALOG - INCLUDES WIRE HARNESS

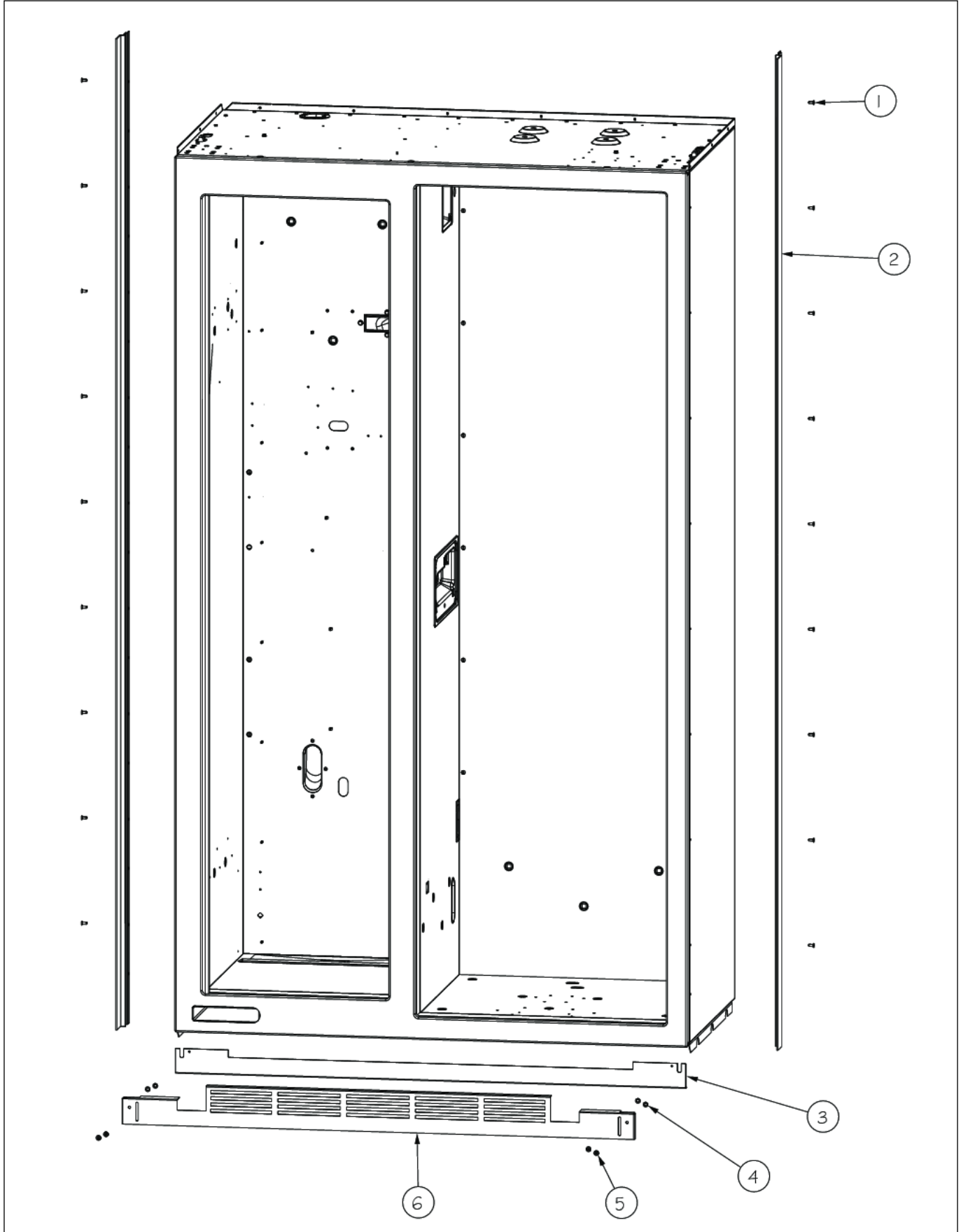
|    |            |                                    |   |    |  |
|----|------------|------------------------------------|---|----|--|
| 17 | PD020013   | TYPE "AB" #6 X 3/8 PH PAN HD. SMS  | 5 | EA |  |
| 18 | PC040010   | POP RIVET (.063/GR -.125) GAMD42-A | 1 | EA |  |
| 19 | 12064001   | SUPP-CONT PANEL                    | 2 | EA |  |
| 20 | PK930230   | Control Panel                      | 1 | EA |  |
| 21 | K20910061  | CONTROL BOX FRONT                  | 1 | EA |  |
| 22 | 010488-000 | OVERLAY SWITCH SXS 42 DISP         | 1 | EA |  |





| Item | Part No. | Name                   | Qty | Uom | NOTES |
|------|----------|------------------------|-----|-----|-------|
| 23   | M0238846 | SCREW-SHLDR            | 2   | EA  |       |
| 24   | M0224128 | SCREW-SM               | 2   | EA  |       |
| 25   | A4554817 | BUSHING-SNAP VA4554817 | 2   | EA  |       |
| 26   | M0585504 | SUPPORT                | 6   | EA  |       |
| 27   | A3030361 | GASKET RED             | 1   | EA  |       |

EXTERIOR ASSEMBLY

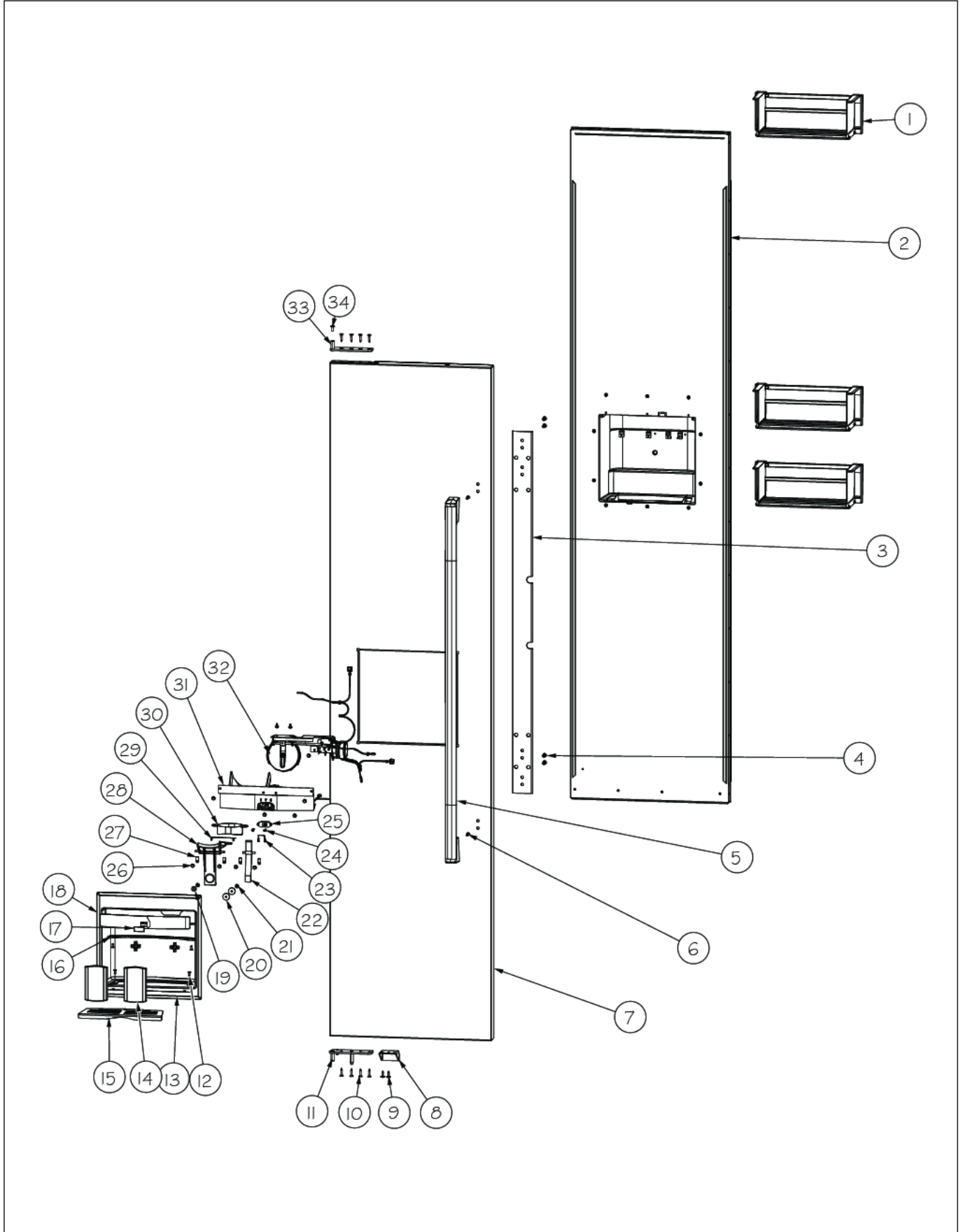






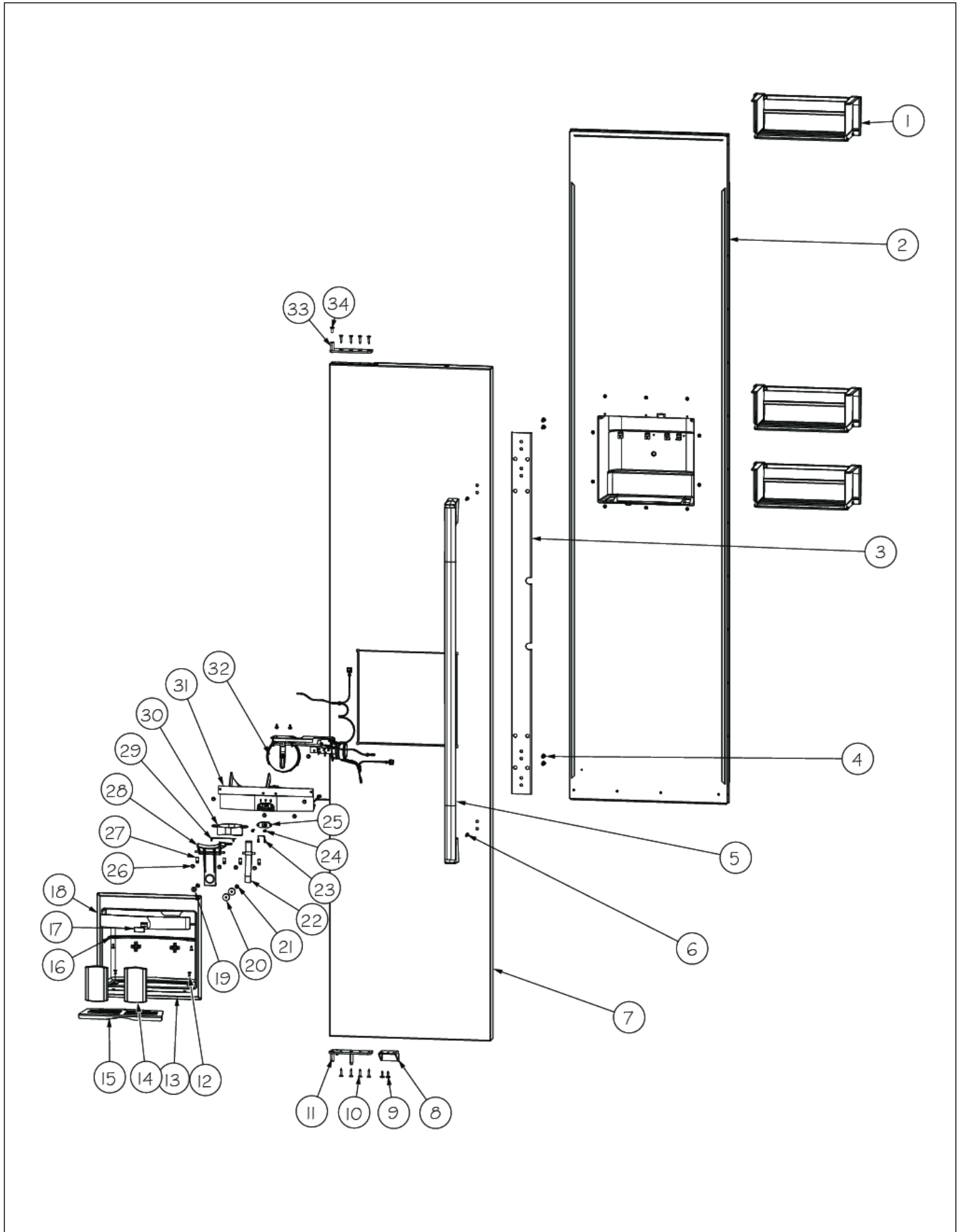
| Item | Part No.   | Name                           | Qty | Uom | NOTES |
|------|------------|--------------------------------|-----|-----|-------|
| 1    | M0215318   | SCREW-SM                       | 18  | EA  |       |
| 2    | PK920066   | TRIM, EXTRU, SIDE DES          | 2   | EA  |       |
| 3    | 000207-002 | KICKPLATE, LWR                 | 1   | EA  |       |
| 4    | 40370P01   | NYLON FLAT WASHER<br>V40370P01 | 4   | EA  |       |
| 5    | M0210443   | SCREW-E SM VM0210443           | 4   | EA  |       |
| 6    | C9097789BK | GRILLE TOE VENTED BK           | 1   | EA  |       |

FREEZER DOOR ASSEMBLY

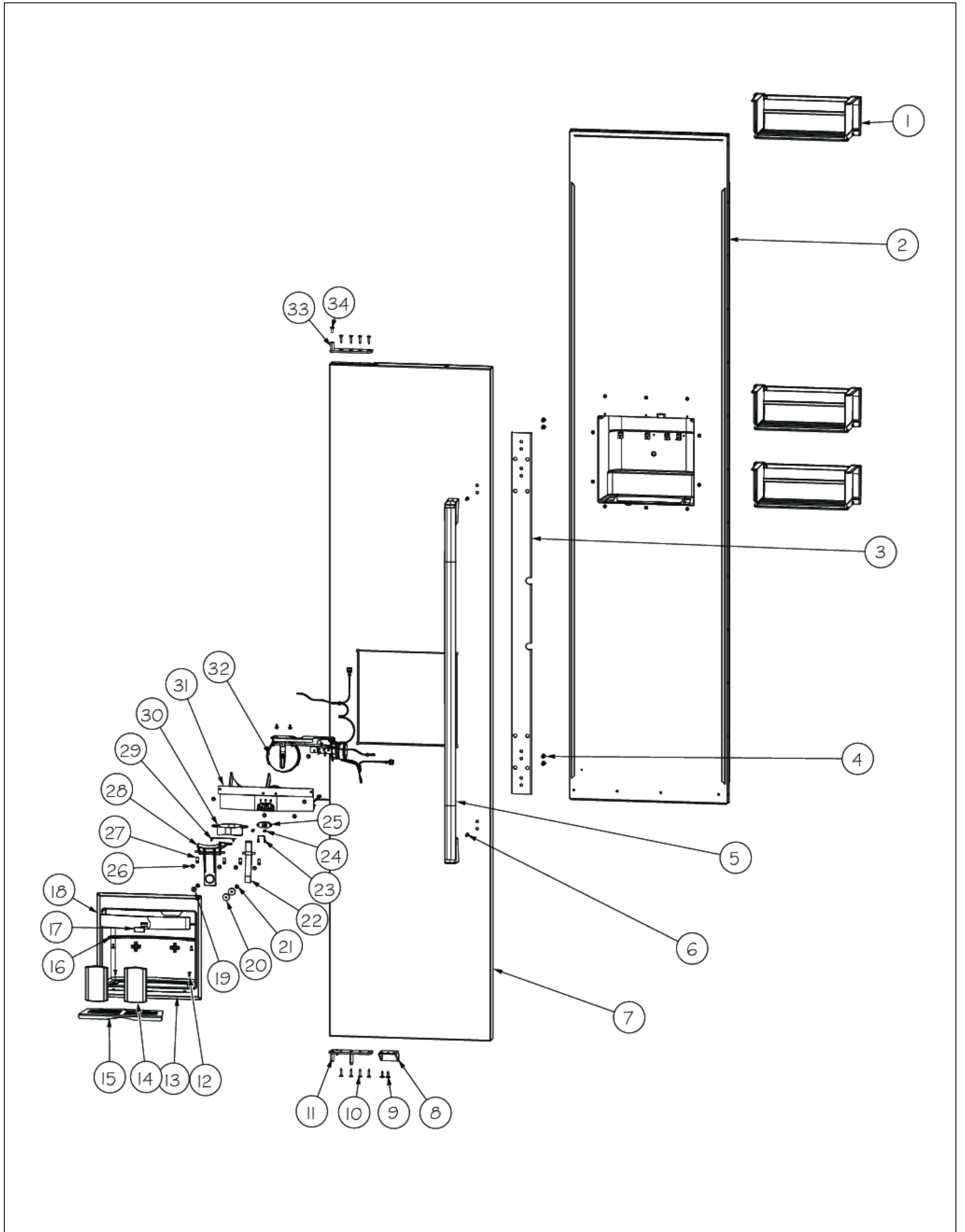




| Item | Part No.   | Name  | Qty | Uom | NOTES   |
|------|------------|---|-----|-----|---|
| 1    | 036888-000 | DOORBIN ASM SXS FZ                                | 3   | EA  |   |
| 2    | 007521-000 | DOOR FOAM ASM SXS 42 FZ<br>DISP                   | 1   | EA  |   |
| 3    | 013328-000 | BRKT,HANDLE,SUPPORT,PRO                           | 1   | EA  |   |
| 4    | 008974-000 | SCREW 10 - 32 X 3/4 SLOT HEX<br>WASHER W/ LOCTITE | 4   | EA  |   |
| 5    | 014237-000 | HANDLE,ASM,DES                                    | 1   | EA  |   |
| 6    | PD020043   | #6-32 X .750 PH. CTRSK T(F)-<br>VGSO166           | 1   | EA  |   |
| 7    | 014005-000 | SKIN,DOOR,SXS 42D DES FZ<br>SS                    | 1   | EA  |   |
| 7    | 013983-002 | SKIN, DOOR, SXS 42D DES FZ<br>BK                  | 1   | EA  |   |
| 7    | 013983-003 | SKIN, DOOR, SXS 42D DES FZ<br>BT                  | 1   | EA  |   |
| 7    | 013983-004 | SKIN, DOOR, SXS 42D DES FZ<br>SG                  | 1   | EA  |   |
| 7    | 013983-005 | SKIN, DOOR, SXS 42D DES FZ<br>GG                  | 1   | EA  |   |
| 7    | 013983-007 | SKIN, DOOR, SXS 42D DES FZ<br>AL                  | 1   | EA  | Not available<br>online / Call for<br>pricing and<br>availability |
| 7    | 013983-008 | SKIN, DOOR, SXS 42D DES FZ<br>BU                  | 1   | EA  | Not available<br>online / Call for<br>pricing and<br>availability |
| 7    | 013983-009 | SKIN, DOOR, SXS 42D DES FZ<br>LE                  | 1   | EA  |   |
| 7    | 013983-010 | SKIN, DOOR, SXS 42D DES FZ<br>MJ                  | 1   | EA  |   |
| 7    | 013983-011 | SKIN, DOOR, SXS 42D DES FZ<br>FG                  | 1   | EA  | Not available<br>online / Call for<br>pricing and<br>availability |
| 7    | 013983-012 | SKIN, DOOR, SXS 42D DES FZ<br>VB                  | 1   | EA  |   |
| 7    | 013983-013 | SKIN, DOOR, SXS 42D DES FZ<br>CB                  | 1   | EA  |   |
| 7    | 013983-014 | SKIN, DOOR, SXS 42D DES FZ<br>EP                  | 1   | EA  | Not available<br>online / Call for<br>pricing and<br>availability |
| 7    | 013983-015 | SKIN, DOOR, SXS 42D DES FZ<br>PL                  | 1   | EA  |   |

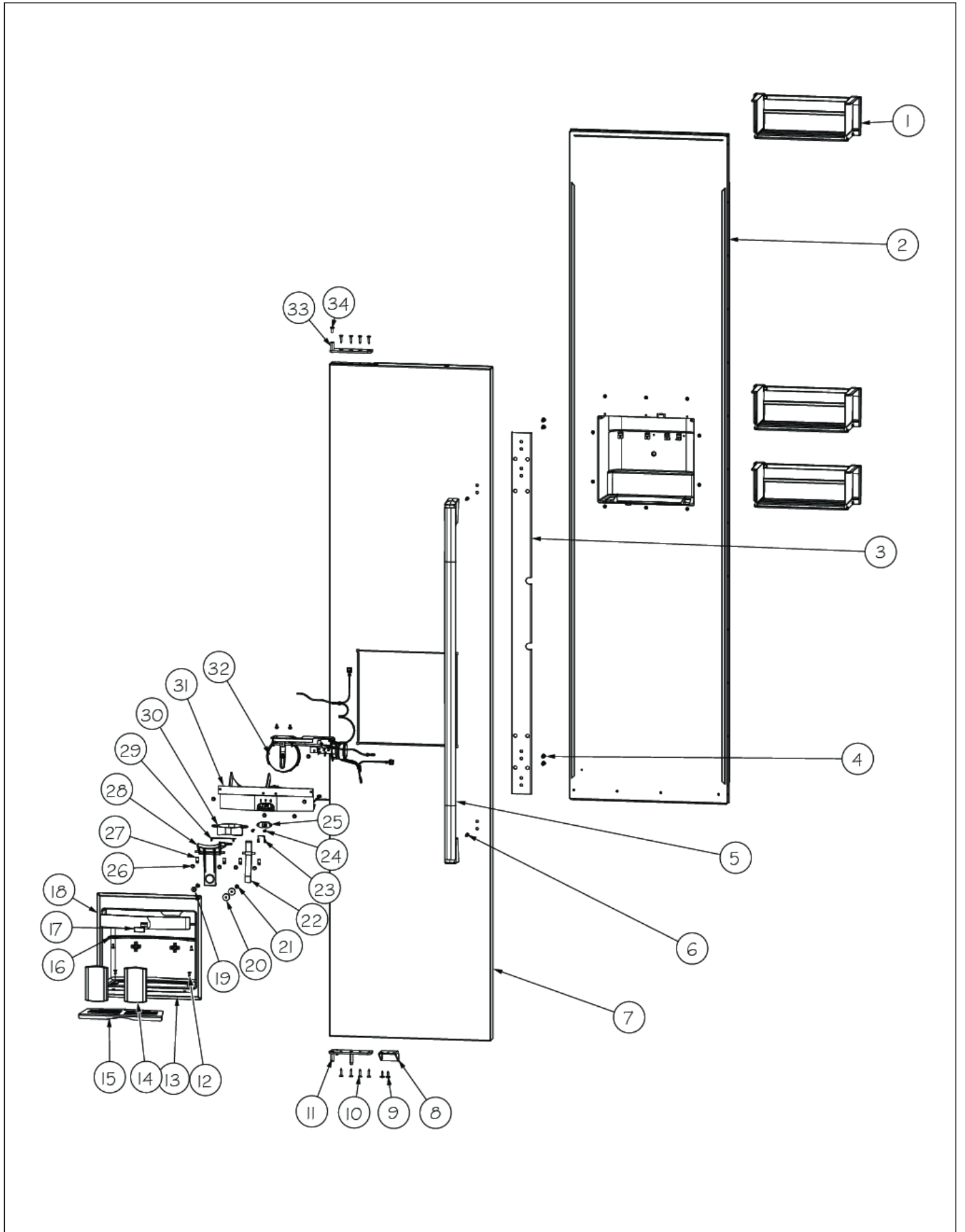


| Item | Part No.   | Name                              | Qty | Uom | NOTES |
|------|------------|-----------------------------------|-----|-----|-------|
| 7    | 013983-016 | SKIN, DOOR, SXS 42D DES FZ CH     | 1   | EA  |       |
| 7    | 013983-017 | SKIN, DOOR, SXS 42D DES FZ TP     | 1   | EA  |       |
| 7    | 013983-018 | SKIN, DOOR, SXS 42D DES FZ CW NLA | 1   | EA  |       |
| 7    | 013983-019 | SKIN, DOOR, SXS 42D DES FZ OG     | 1   | EA  |       |
| 7    | 013983-020 | SKIN, DOOR, SXS 42D DES FZ GM     | 1   | EA  |       |
| 7    | 013983-021 | SKIN, DOOR, SXS 42D DES FZ SA     | 1   | EA  |       |
| 7    | 013983-022 | SKIN, DOOR, SXS 42D DES FZ SE     | 1   | EA  |       |
| 7    | 013983-023 | SKIN, DOOR, SXS 42D DES FZ IB     | 1   | EA  |       |
| 7    | 013983-024 | SKIN, DOOR, SXS 42D DES FZ AR     | 1   | EA  |       |
| 7    | 013983-025 | SKIN, DOOR, SXS 42D DES FZ RR     | 1   | EA  |       |
| 7    | 013983-026 | SKIN, DOOR, SXS 42D DES FZ PM     | 1   | EA  |       |
| 7    | 013983-027 | SKIN, DOOR, SXS 42D DES FZ MS     | 1   | EA  |       |
| 8    | PD050019   | STRIKER DOOR SWITCH               | 1   | EA  |       |
| 9    | M0210458   | SUB TO VM0210458                  | 2   | EA  |       |
| 10   | PD920174   | 10X7/8 PHILLIPS SMA TRI LOBE SA   | 8   | EA  |       |
| 11   | 016182-000 | PIVOT PL ASM LH LW PRO/DES        | 1   | EA  |       |
| 12   | M0215318   | SCREW-SM                          | 4   | EA  |       |
| 13   | 013681-000 | BEZEL,DES, I/W DISPENSER          | 1   | EA  |       |
| 14   | 011678-000 | PAD ACTUATOR                      | 2   | EA  |       |
| 15   | 015166-000 | TRAY,SPILL, DES, I/W DISPENSER    | 1   | EA  |       |
| 16   | 036580-000 | STOP, E FACADE                    | 1   | EA  |       |
| 17   | 013685-000 | SLIDE SWITCH CAP (GRAY)           | 1   | EA  |       |
| 18   | 015156-000 | INSERT,FACADE,DES, I/W DISPENSER  | 1   | EA  |       |
| 19   | PD040071   | #10 S.S. FLAT WASHER              | 1   | EA  |       |
| 20   | M0270546   | WASHER                            | 2   | EA  |       |





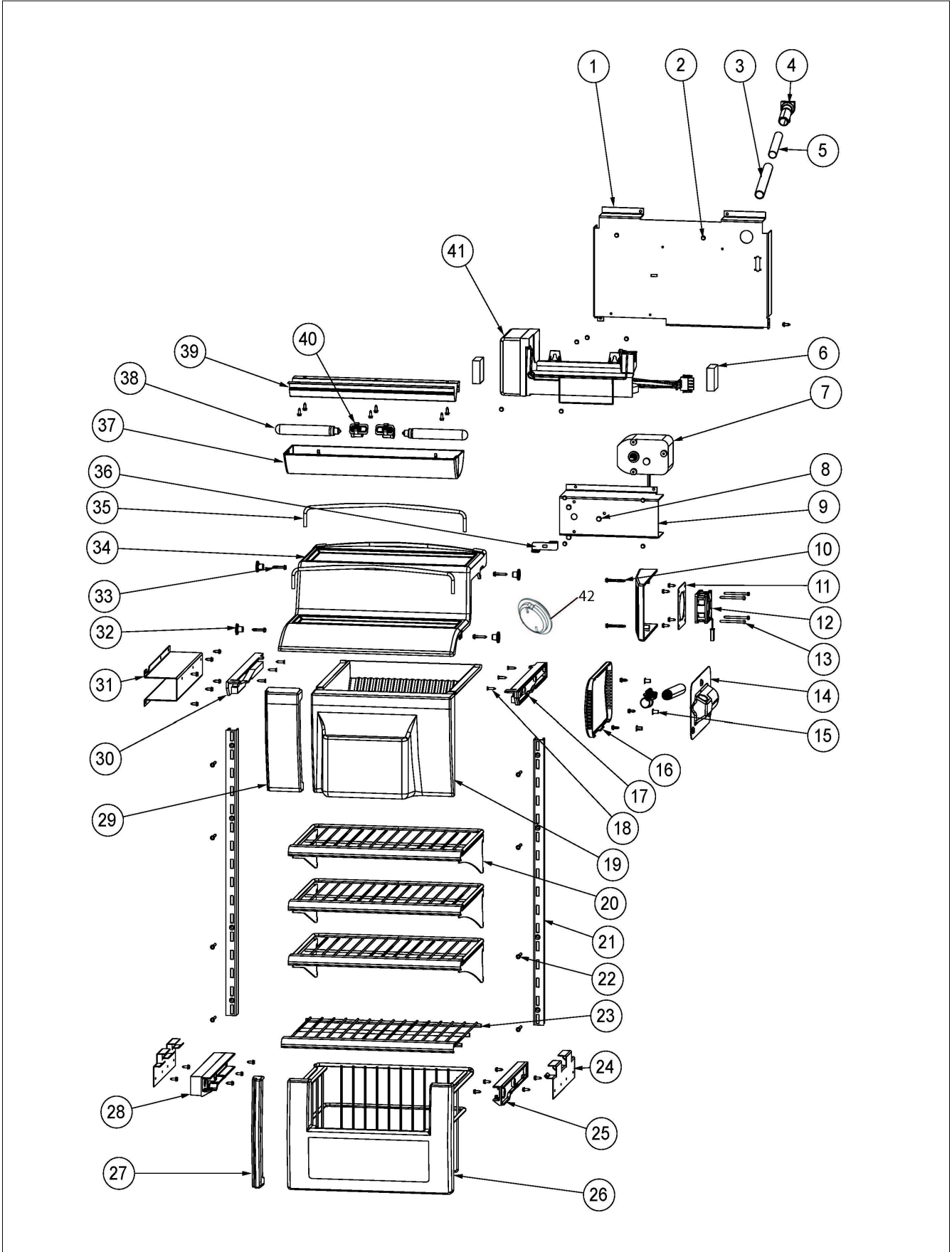
| Item | Part No.   | Name                               | Qty | Uom | NOTES  |
|------|------------|------------------------------------|-----|-----|--|
| 21   | M0210443   | SCREW-E SM VM0210443               | 2   | EA  |  |
| 22   | PK930404   | ARM WATER ACTUATOR                 | 1   | EA  |  |
| 23   | B8385402   | SPRING-RETURN                      | 1   | EA  |  |
| 24   | 003334-000 | SCR, #4-24 X 1/2                   | 2   | EA  |  |
| 25   | PE950152   | SWITCH SLIDE                       | 1   | EA  |  |
| 26   | PD020193   | SCR 8-18 X 3/8                     | 11  | EA  |  |
| 27   | B10910081  | DISP RETAINER ICE ARM              | 4   | EA  |  |
| 28   | PK030470   | ARM ICE ACTUATOR                   | 1   | EA  |  |
| 29   | PC010022   | SPRING RETURN ICE ACTUATOR         | 1   | EA  |  |
| 30   | 036579-000 | SHROUD, I/W DISPENSER              | 1   | EA  |  |
| NI   | M0215318   | SCREW-SM                           | 2   | EA  |  |
| 31   | PE070755   | DISPENSER CAVITY ASSEMBLY          | 1   | EA  |  |
| 32   | G50914155  | ICE DISPENSER MODULE ASM           | 1   | EA  |  |
| 33   | PC020279   | PIVOT PL ASM LH UP PRO/DES         | 1   | EA  |  |
| 34   | PD020234   | SCREW THP 10-32 X .500 SS BO       | 1   | EA  |  |
| NI   | 011441-000 | DOOR, SKIN, ASM, SXS 42D DES FZ SS | 1   | EA  | Not available online / Call for pricing and availability |
| NI   | 011269-002 | DOOR, SKIN ASM, SXS 42D DES FZ BK  | 1   | EA  |  |
| NI   | 011269-003 | DOOR, SKIN ASM, SXS 42D DES FZ BT  | 1   | EA  |  |
| NI   | 011269-004 | DOOR, SKIN ASM, SXS 42D DES FZ SG  | 1   | EA  |  |
| NI   | 011269-005 | DOOR, SKIN ASM, SXS 42D DES FZ GG  | 1   | EA  |  |
| NI   | 011269-007 | DOOR, SKIN ASM, SXS 42D DES FZ AL  | 1   | EA  | Not available online / Call for pricing and availability |
| NI   | 011269-008 | DOOR, SKIN ASM, SXS 42D DES FZ BU  | 1   | EA  |  |
| NI   | 011269-009 | DOOR, SKIN ASM, SXS 42D DES FZ LE  | 1   | EA  |  |
| NI   | 011269-010 | DOOR, SKIN ASM, SXS 42D DES FZ MJ  | 1   | EA  |  |





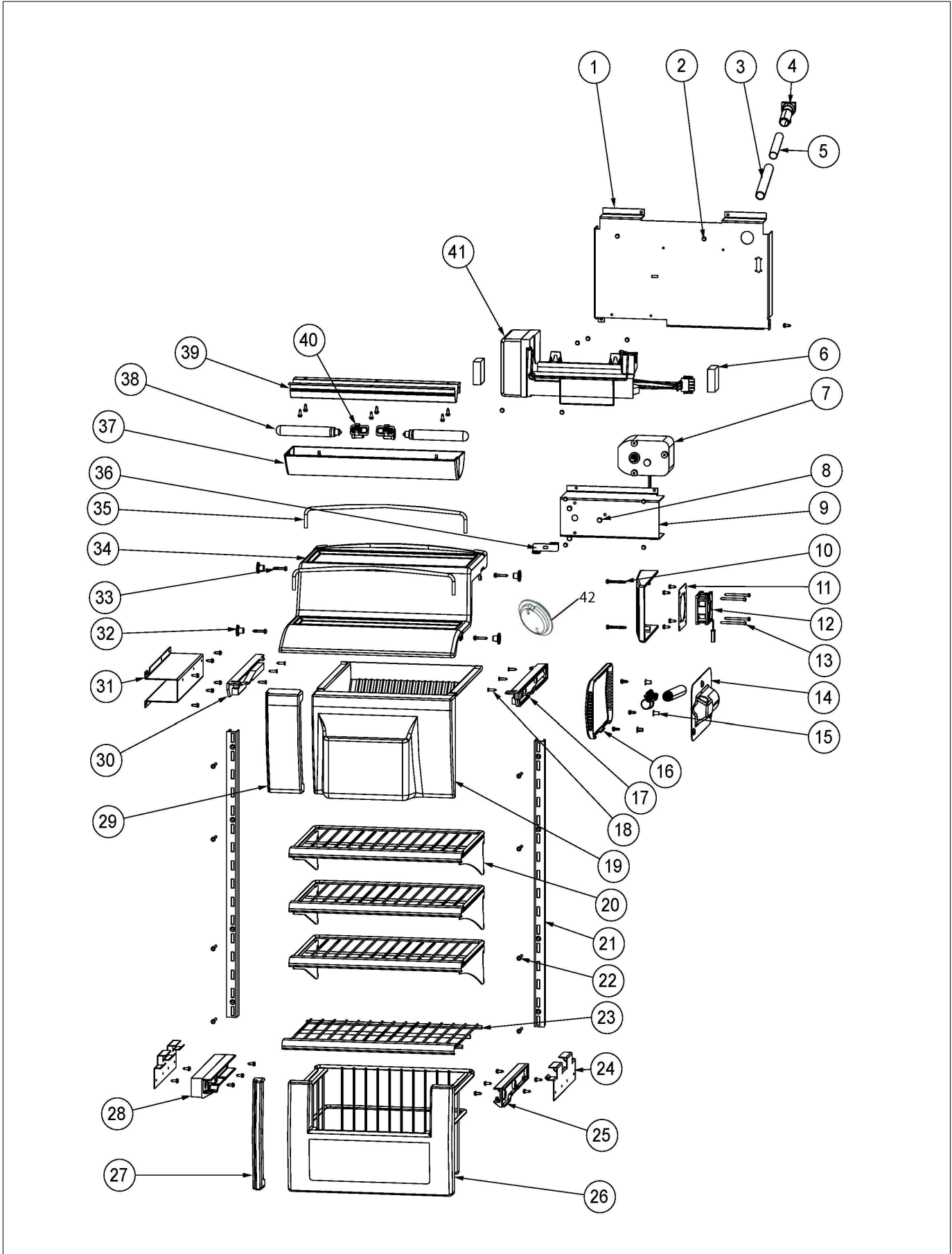
| Item | Part No.   | Name                                     | Qty | Uom | NOTES   |
|------|------------|--|-----|-----|---|
| NI   | 011269-011 | DOOR, SKIN ASM, SXS 42D<br>DES FZ FG     | 1   | EA  | Not available<br>online / Call for<br>pricing and<br>availability |
| NI   | 011269-012 | DOOR, SKIN ASM, SXS 42D<br>DES FZ VB     | 1   | EA  |   |
| NI   | 011269-013 | DOOR, SKIN ASM, SXS 42D<br>DES FZ CB     | 1   | EA  |   |
| NI   | 011269-014 | DOOR, SKIN ASM, SXS 42D<br>DES FZ EP     | 1   | EA  | Not available<br>online / Call for<br>pricing and<br>availability |
| NI   | 011269-015 | DOOR, SKIN ASM, SXS 42D<br>DES FZ PL     | 1   | EA  |   |
| NI   | 011269-016 | DOOR, SKIN ASM, SXS 42D<br>DES FZ CH     | 1   | EA  |   |
| NI   | 011269-017 | DOOR, SKIN ASM, SXS 42D<br>DES FZ TP     | 1   | EA  |   |
| NI   | 011269-018 | DOOR, SKIN ASM, SXS 42D<br>DES FZ CW NLA | 1   | EA  |   |
| NI   | 011269-019 | DOOR, SKIN ASM, SXS 42D<br>DES FZ OG     | 1   | EA  |   |
| NI   | 011269-020 | DOOR, SKIN ASM, SXS 42D<br>DES FZ GM     | 1   | EA  |   |
| NI   | 011269-021 | DOOR, SKIN ASM, SXS 42D<br>DES FZ SA     | 1   | EA  |   |
| NI   | 011269-022 | DOOR, SKIN ASM, SXS 42D<br>DES FZ SE     | 1   | EA  |   |
| NI   | 011269-023 | DOOR, SKIN ASM, SXS 42D<br>DES FZ IB     | 1   | EA  |   |
| NI   | 011269-024 | DOOR, SKIN ASM, SXS 42D<br>DES FZ AR     | 1   | EA  |   |
| NI   | 011269-025 | DOOR, SKIN ASM, SXS 42D<br>DES FZ RR     | 1   | EA  |   |
| NI   | 011269-026 | DOOR, SKIN ASM, SXS 42D<br>DES FZ PM     | 1   | EA  |   |
| NI   | 011269-027 | DOOR, SKIN ASM, SXS 42D<br>DES FZ MS     | 1   | EA  |   |

FREEZER INTERIOR ASSEMBLY



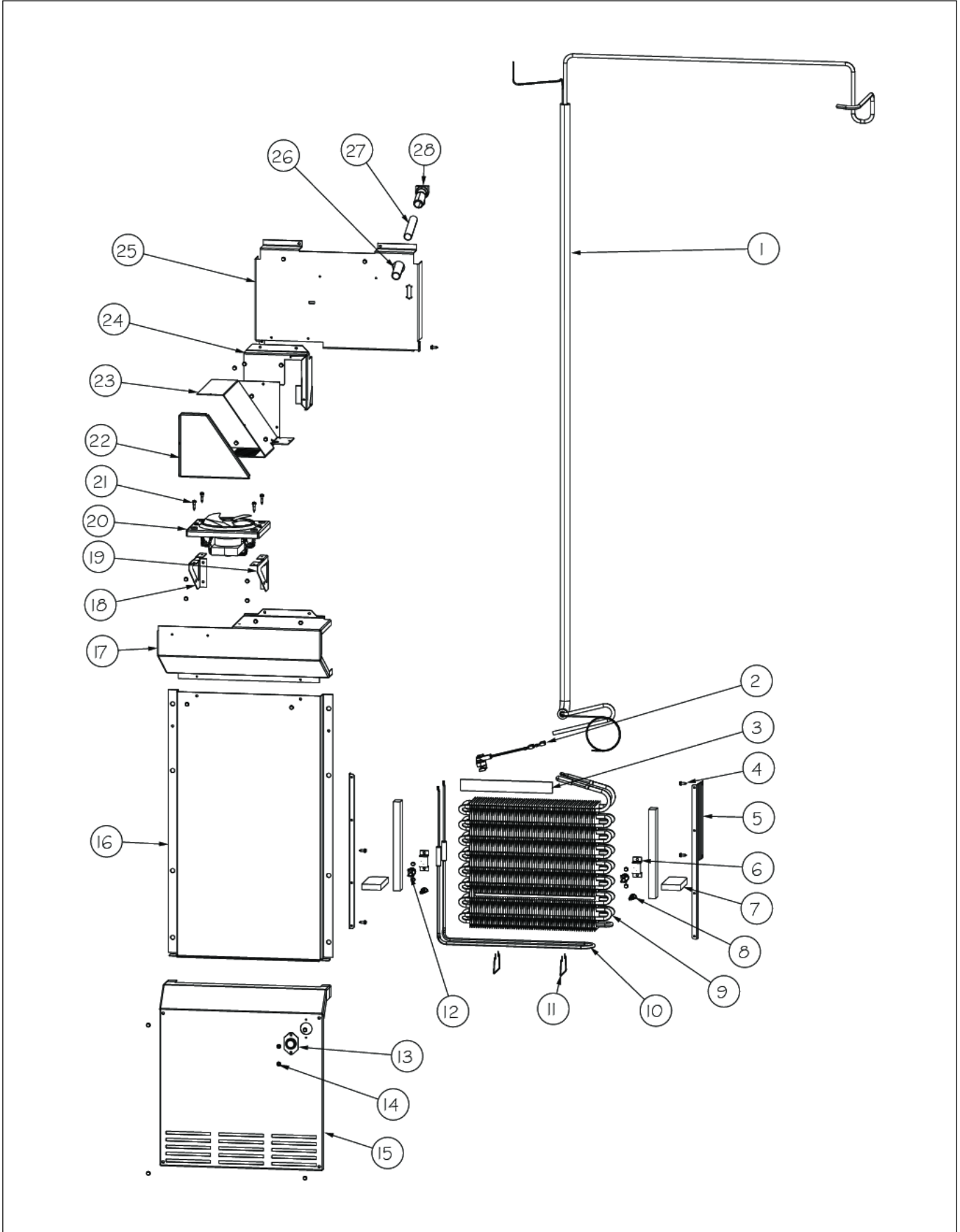


| Item   | Part No.   | Name                               | Qty | Uom | NOTES  |
|--|------------|------------------------------------|-----|-----|--|
| 1  | L2097158WH | COVER UPPER EVAP                   | 1   | EA  |  |
| 2  | PD020194   | SCR, HEX SRTD WSHR HD, #8-18 X 1/2 | 41  | EA  |  |
| 3  | 015813-000 | EXT FILL TUBE                      | 1   | EA  |  |
| 4  | 10276601   | ELBOW-FILLER TUBE                  | 1   | EA  |  |
| 5  | 029418-000 | FILL TUBE DISP                     | 1   | EA  |  |
| 6  | PB970176   | GASKET UPPER EVAP COVER            | 2   | EA  |  |
| 7  | PE950158   | Motor Auger                        | 1   | EA  |  |
| 8  | PD020191   | SCR. #10 PLAS HXW 1/2 S            | 1   | EA  |  |
| 9  | C90914113  | BRACKET - AUGER MOTOR              | 1   | EA  | Not available online / Call for pricing and availability |
| 10   | PD020188   | SCR 8-18 BT HXWS 1 1/2             | 2   | EA  |  |
| 11   | 007302-000 | BRACKET,FAN                        | 1   | EA  |  |
| 12   | 004551-000 | AXIAL FAN                          | 1   | EA  |  |
| <p>Comments for Part Num. 004551-000</p> <p>gboltz@VikingRange.com on Jul 21, 2016</p> <p>View service bulletin TR-0052-SP before ordering fan, if applicable order kit instead of fan</p> |            |                                    |     |     |  |
| 13   | M0221913   | SCREW-SM                           | 4   | EA  |  |
| 14   | 10270203   | HOUSING-LIGHT V10270203            | 1   | EA  |  |
| 15   | M0580007   | GROMMET-SCREW                      | 3   | EA  |  |
| 16   | PK930346   | COVER LIGHT                        | 1   | EA  |  |
| 17   | PK930265   | GLIDE R FZ                         | 1   | EA  |  |
| 18   | M0213503   | SCREW, SM                          | 6   | EA  |  |
| 19   | 019144-000 | ICE BUCKET ASM                     | 1   | EA  |  |
| <p>Comments for Part Num. 019144-000</p> <p>gboltz@VikingRange.com on Mar 28, 2017</p> <p>See parts bulletin 2017-03P ice bucket helix replacement</p>                                     |            |                                    |     |     |  |
| 20   | PM910411   | SHELF WIRE AF 36                   | 3   | EA  |  |
| 21   | PM910375   | LADDER R/L FZ                      | 2   | EA  |  |
| 22   | M0238535   | SCREW-SM                           | 6   | EA  |  |
| 23   | PM910231   | FZ FIXED BASKET ASSEMBLY           | 1   | EA  |  |

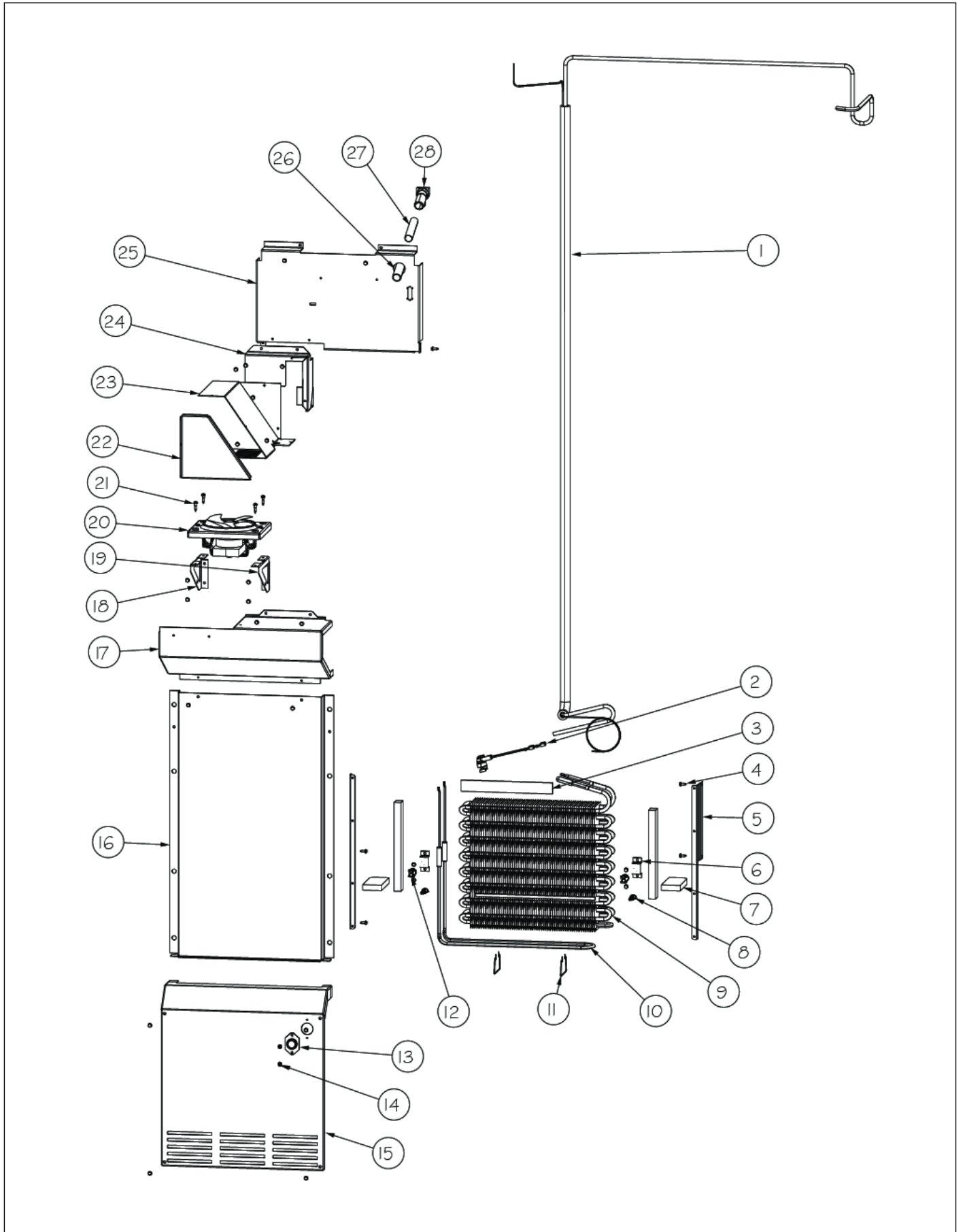


| Item  | Part No.   | Name  | Qty | Uom | NOTES  |
|---|------------|---|-----|-----|--|
| 24  | L20910067  | BRACKET SHELF FZ  | 2   | EA  |  |
| 25  | PK930074   | GLIDE SXS 48 FZ R   | 1   | EA  |  |
| 26  | PM910190   | BASKET ASM FZ   | 1   | EA  |  |
| 27  | PK930107   | FZ BASKET SIDE SPACER FRONT                                   | 1   | EA  |  |
| 28  | PK930075   | GLIDE SXS 48 FZ L   | 1   | EA  |  |
| 29  | PK930096   | CLOSEOUT - ICE DISPENSER                                      | 1   | EA  |  |
| 30  | PK930266   | GLIDE L FZ  | 1   | EA  |  |
| 31  | C20910027  | SUPPORT LS ICE BUCKET   | 1   | EA  | Not available online / Call for pricing and availability |
| 32  | 12258501   | SUPPORT-SHELF   | 4   | EA  |  |
| 33  | M0211021   | SCREW-SM  | 4   | EA  |  |
| 34  | PK930264   | SHELF COVER   | 1   | EA  |  |
| 35  | PM910435   | RETAINER WIRE   | 2   | EA  |  |
| 36  | B20911863  | Driver- Ice Bucket RNG  | 1   | EA  |  |
| 37  | 020117-000 | COVER LIGHT ASM SXS 42 FZ                                     | 1   | EA  |  |
| 38  | 004528-000 | LAMP, 40 WATT CLEAR LIGHT                                     | 3   | EA  |  |
| 39  | L2099475   | BRACKET LIGHT SXS FZ  | 1   | EA  |  |
| 40  | PE950125   | LIGHT SOCKET  | 3   | EA  |  |
| 41  | G50911855  | ICE MAKER ASM, DISP, NLA<br>order components, see TR-0023B-SP | 1   | EA  |  |
| Comments for Part Num. G50911855<br><br>estrotman@vikingrange.com on Aug 24, 2015<br>Sub part # 002252-000<br>bradleysapplianceservice@shaw.ca on Sep 1, 2016<br>SERVICE BULLETIN: TR-0023B-SP<br>SUBS TO:<br>002252-000 ICE MAKER MODULE<br>002251-000 ICE MAKER BAIL ARM<br>002253-000 ICE MAKER WIRE HARNESS |            |   |     |     |  |
| 42  | PM910331C  | CAP,HELIX   | 1   | EA  |  |

LOW SIDE ASSEMBLY



| Item | Part No.   | Name                                      | Qty | Uom | NOTES  |
|------|------------|---|-----|-----|--|
| 1    | 053308-000 | HEAT EXCHANGER ASM SXS 42                 | 1   | EA  |  |
| 2    | 058966-000 | THERMOSTAT, SNAP ACTION, 55 OPEN 20 CLOSE | 1   | EA  |  |
| 3    | A3189370   | GASKET-FOAM VA3189370                     | 3   | EA  |  |
| 4    | PD020194   | SCR, HEX SRTD WSHR HD, #8-18 X 1/2        | 26  | EA  |  |
| 5    | K2096461   | BRKT-EVAP COVER 12234801                  | 2   | EA  |  |
| 6    | K2096456   | BRKT-EVAP CLIP 12215101                   | 2   | EA  |  |
| 7    | 10629001   | BLOCK-R AIR COIL RED                      | 2   | EA  |  |
| 8    | 10527401   | CLIP-EVAP                                 | 2   | EA  |  |
| 9    | PM910206   | EVAPORATOR SXS 48                         | 1   | EA  |  |
| 10   | PJ910031   | HEATER EVAP SXS                           | 1   | EA  |  |
| 11   | 10428101   | CLIP-EVAP HTR V10428101                   | 2   | EA  |  |
| 12   | 10623003   | CLIP-EVAP                                 | 1   | EA  |  |
| 13   | C8983701   | THERMISTOR                                | 1   | EA  |  |
| 14   | M0211014   | SCREW-SM                                  | 1   | EA  | Not available online / Call for pricing and availability |
| 15   | L20910054  | COVER LOWER EVAP                          | 1   | EA  |  |
| 16   | L2097577   | COVER - CTR EVAP                          | 1   | EA  | Not available online / Call for pricing and availability |
| 17   | L2098028   | COVER EVAP MOTOR                          | 1   | EA  | Not available online / Call for pricing and availability |
| 18   | K2096458   | BRKT-L-EVAP-FAN 12223102                  | 1   | EA  |  |
| 19   | K2096457   | BRKT-R-EVAP FAN 12223101                  | 1   | EA  |  |
| 20   | G5098660   | FAN EVAP ASM PANASONIC                    | 1   | EA  |  |
| 21   | M0238859   | SCREW-SHLDR                               | 4   | EA  |  |
| 22   | I20910075  | COVER EVAP FAN                            | 1   | EA  |  |
| 23   | I20914114  | FAN COVER (FORMED)                        | 1   | EA  | Not available online / Call for pricing and availability |
| 24   | I20914115  | FAN BRACKET (FORMED)                      | 1   | EA  | Not available online / Call for pricing and availability |

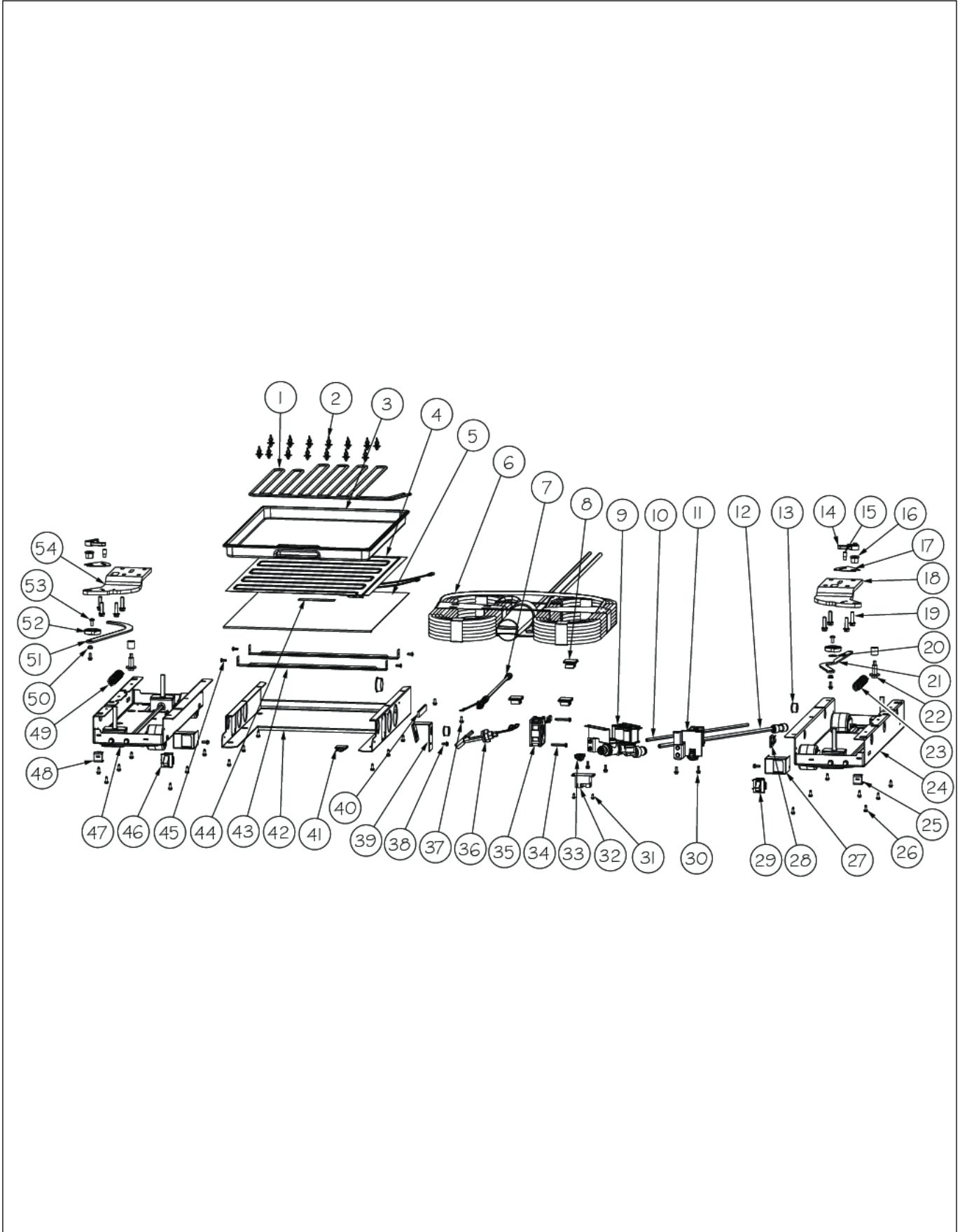




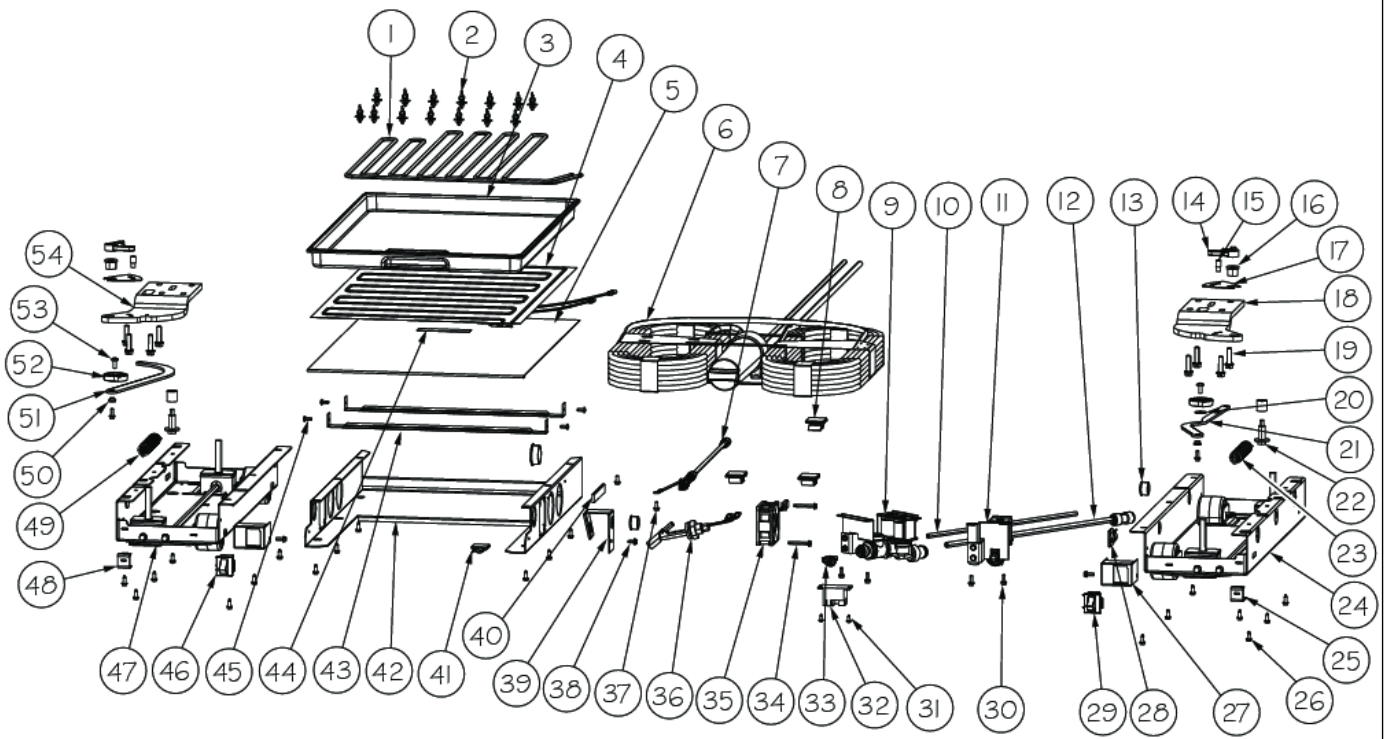


| Item | Part No.   | Name              | Qty | Uom | NOTES |
|------|------------|-------------------|-----|-----|-------|
| 25   | L2097158WH | COVER UPPER EVAP  | 1   | EA  |       |
| 26   | 015813-000 | EXT FILL TUBE     | 1   | EA  |       |
| 27   | 029418-000 | FILL TUBE DISP    | 1   | EA  |       |
| 28   | 10276601   | ELBOW-FILLER TUBE | 1   | EA  |       |

LOWER UNIT ASSEMBLY

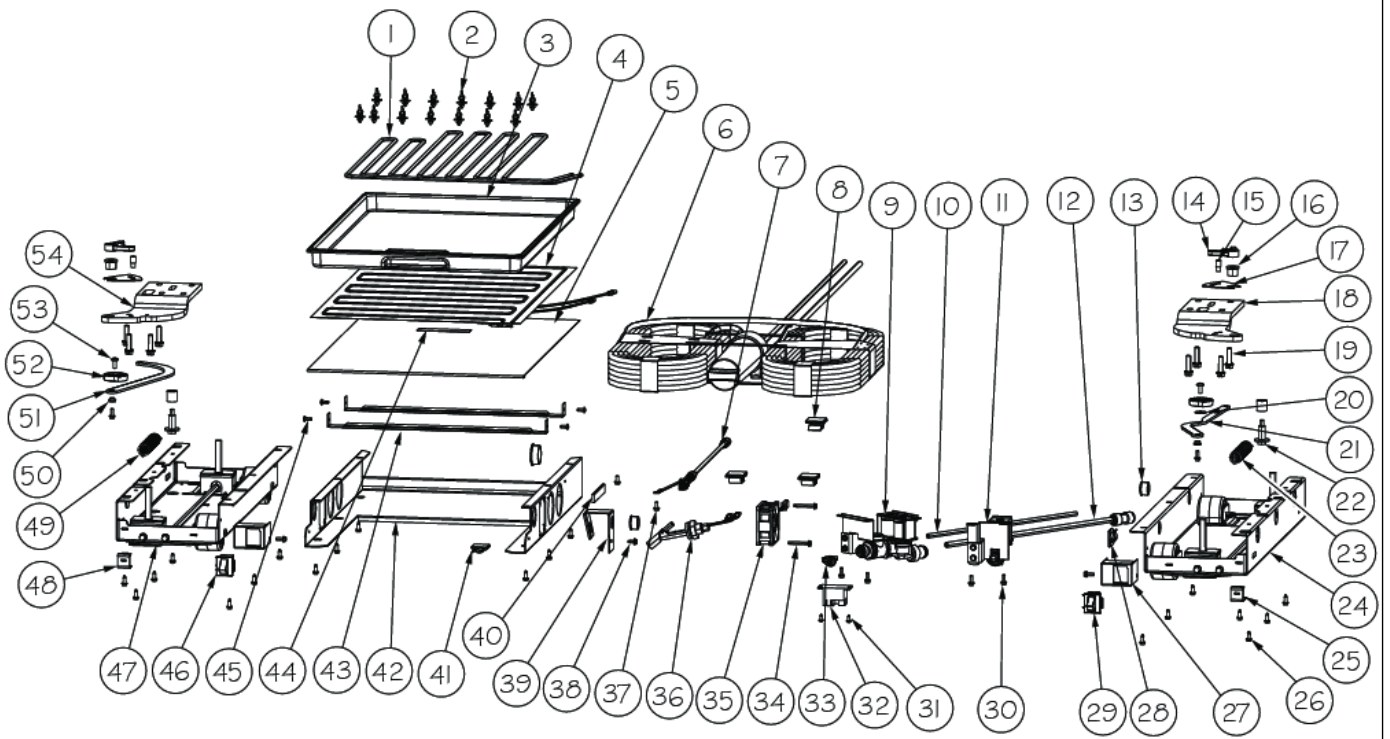


| Item      | Part No.    | Name                                     | Qty | Uom | NOTES |
|-----------|-------------|--|-----|-----|-------|
| 1         | F20915693   | SERPENTINE CONDENSER DRAIN ALL SXS'S     | 1   | EA  |       |
| 2         | PD030146    | STAND OFF LOCK CLIP                      | 14  | EA  |       |
| 3         | PK930348    | PAN DRAIN                                | 1   | EA  |       |
| 4         | G50911853   | TRAY PAN HEATER                          | 1   | EA  |       |
| 5         | L20914124WH | TRAY PAN HEATER                          | 1   | EA  |       |
| 6         | 041669-000  | FILTER/COIL TUBE ASSEMBLY                | 1   | EA  |       |
| 7         | 040066-000  | HARNESS JUMPER LOWER                     | 1   | EA  |       |
| 8         | M0104102    | CLIP-CORD RED                            | 3   | EA  |       |
| 9         | G32914174   | BRKT & VALVE J.G. INLET ASM              | 1   | EA  |       |
| Not Shown | NOTE        | (BEFORE, ON, OR AFTER 051910R)           |     | EA  |       |
| 10        | PB020303    | Water Line                               | 1   | EA  |       |
| 11        | G32913791   | BRKT & VALVE H2O DUAL ASM                | 1   | EA  |       |
| Not Shown | NOTE        | (BEFORE 051910R)                         |     | EA  |       |
| NI        | G32915704   | BRKT AND VALVE SINGLE ASM DISP           | 1   | EA  |       |
| Not Shown | NOTE        | (ON OR AFTER 051910R)                    |     | EA  |       |
| 12        | PB020294    | TUBE ASM-DOOR TO VALVE                   | 1   | EA  |       |
| 13        | A4554806    | BUSHING-SNAP VA4554806                   | 2   | EA  |       |
| 14        | PD940091    | BUSHING - DOOR STOP                      | 2   | EA  |       |
| 15        | PC920145    | PIN - DOOR STOP                          | 2   | EA  |       |
| 16        | PD940090    | BUSHING - WC DOOR LEVEL                  | 2   | EA  |       |
| 17        | PC920144    | PLATE - WC DOOR SHIM                     | 2   | EA  |       |
| 18        | PC020288    | HINGE PLATE LR                           | 1   | EA  |       |
| 19        | 000570-000  | FASTENER, BOLT, 1/4-20 IHXWS 1" S ZN SER | 8   | EA  |       |
| 21        | PC920166    | HINGE ASM COMPLETE RR                    | 1   | EA  |       |
| 22        | M0221523    | SCREW - SHLDR                            | 2   | EA  |       |
| 23        | 003867-000  | SPRING EXTENSION                         | 1   | EA  |       |
| 24        | 060890-000  | LEVELER MODULE R                         | 1   | EA  |       |
| 25        | K2098044    | BRKT GRILLE SUPPORT                      | 1   | EA  |       |
| 26        | PD020194    | SCR, HEX SRTD WSHR HD, #8-18 X 1/2       | 20  | EA  |       |





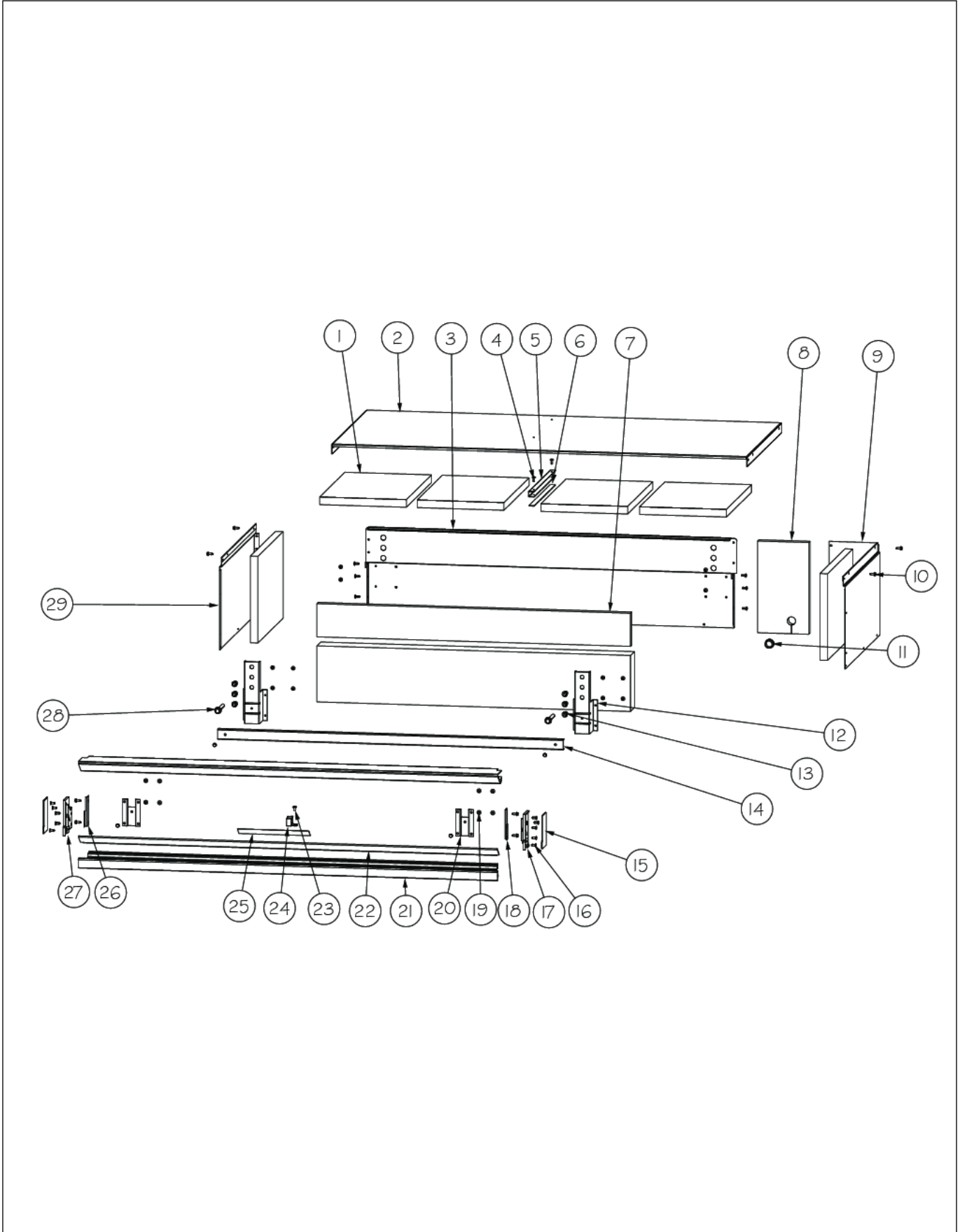
| Item   | Part No.   | Name                                 | Qty | Uom | NOTES |
|--|------------|--------------------------------------|-----|-----|-------|
| 27   | 014334-000 | BRACKET,LT,SWITCH                    | 2   | EA  |       |
| 28   | M0104106   | CLIP-CORD VM0104106                  | 2   | EA  |       |
| 29   | PE950147   | SWITCH SPST NC BLACK                 | 1   | EA  |       |
| <p>Comments for Part Num. PE950147</p> <p>bradleysapplianceservice@shaw.ca on May 1, 2017<br/> CAUTION WHEN ORDERING DOOR SWITCH. PARTS LISTINGS COULD BE INCORRECT.<br/> THERE IS TWO VERSIONS OF THIS DOOR SWITCH THAT NEEDS TO BE VISUALLY CHECKED ON UNIT TO DETERMINE CORRECT PART.<br/> PE950146 DOOR SWITCH 3 WIRE SPDT BLACK<br/> PE950147 DOOR SWITCH 2 WIRE SPST BLACK</p> |            |                                      |     |     |       |
| 30   | M0220417   | SCREW-TC                             | 8   | EA  |       |
| 31   | PD020013   | TYPE "AB" #6 X 3/8 PH PAN HD.<br>SMS | 2   | EA  |       |
| 32   | 014808-000 | RELAY,WATER VALVE                    | 1   | EA  |       |
| Not Shown  | NOTE       | (ON OR AFTER 051910R)                |     | EA  |       |
| 33   | PB020301   | STEM ELBOW 1/4 V#<br>PP220808W       | 1   | EA  |       |
| 34   | PD020274   | SCR SLTD HEX WSHR HD<br>8X1.250 BT   | 2   | EA  |       |
| 35   | 004551-000 | AXIAL FAN                            | 1   | EA  |       |
| <p>Comments for Part Num. 004551-000</p> <p>gboltz@VikingRange.com on Jul 21, 2016<br/> View service bulletin TR-0052-SP before ordering fan, if applicable order kit instead of fan</p>   |            |                                      |     |     |       |
| 36   | PE050248   | FLOAT SWITCH HORIZONTAL              | 1   | EA  |       |
| 37   | PD020010   | 10 X 3/8 GREEN GROUNDING<br>SCREW    | 2   | EA  |       |
| 38   | M0253916   | SCR 8-32 SHXW 3/8 TRI-LOBE           | 1   | EA  |       |
| 39   | B20915627  | BRACKET HORIZ FLOAT<br>SWITCH        | 1   | EA  |       |
| 40   | PF930654   | LABEL CONDENSATE FAN<br>SERVICE      | 1   | EA  |       |
| 41   | A4554817   | BUSHING-SNAP VA4554817               | 1   | EA  |       |
| 42   | K20915952  | SHIELD BOTTOM DRAIN                  | 1   | EA  |       |
| 43   | K20911831  | BRACKET CONDENSATE<br>SUPPORT        | 2   | EA  |       |





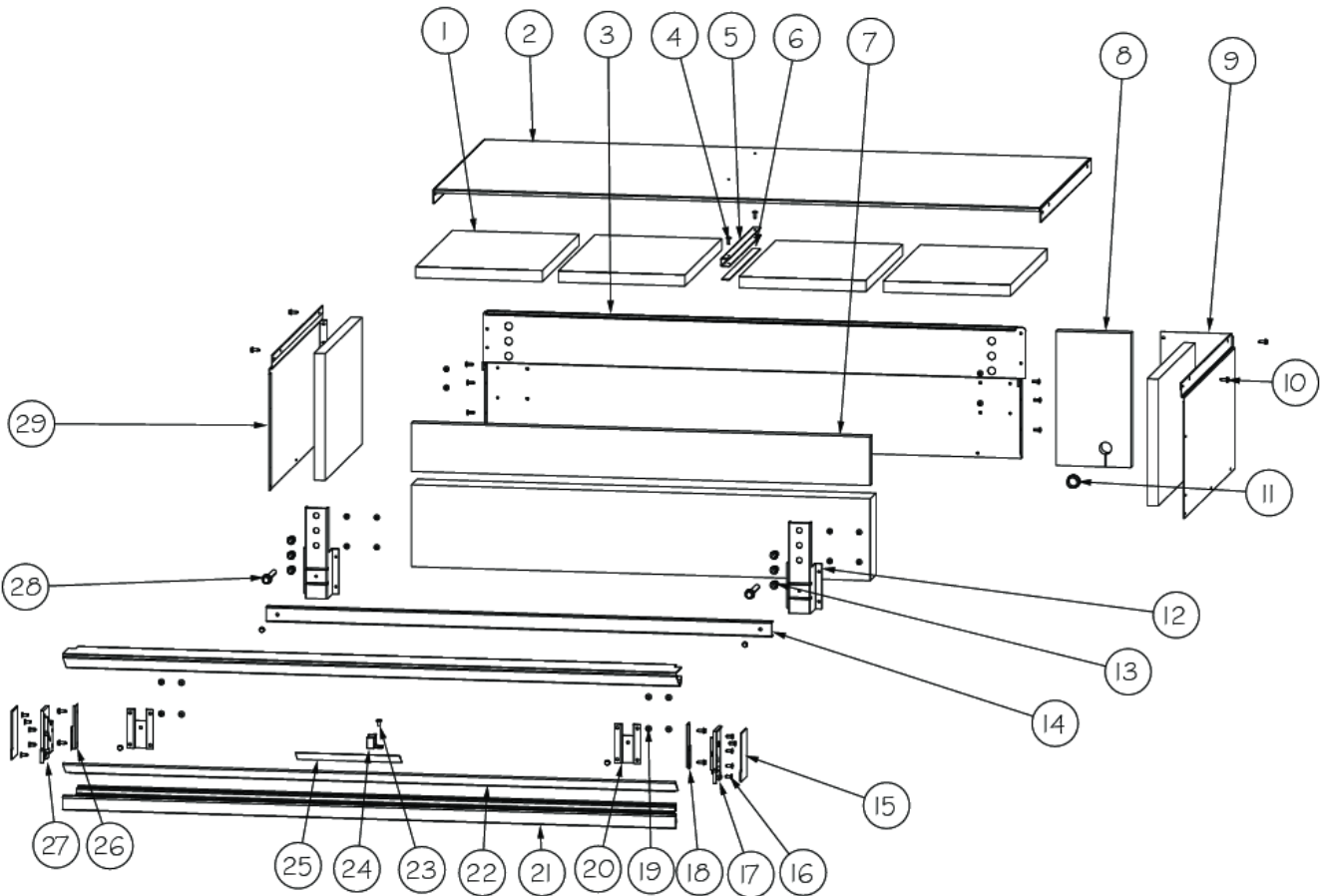
| Item | Part No.   | Name                                  | Qty | Uom | NOTES |
|------|------------|---------------------------------------|-----|-----|-------|
| 44   | PF031267   | LABEL HEATER PAN                      | 1   | EA  |       |
| 45   | PC040010   | POP RIVET (.063/GR -.125)<br>GAMD42-A | 4   | EA  |       |
| 46   | PE950146   | SPDT SWITCH                           | 1   | EA  |       |
| 47   | 060891-000 | LEVELER MODULE L                      | 1   | EA  |       |
| 48   | K2098096   | BRKT GRILLE SUPPORT                   | 1   | EA  |       |
| 49   | PC910015   | SPRING EXTENSION                      | 1   | EA  |       |
| 50   | PD940094   | BUSHING                               | 2   | EA  |       |
| 51   | PC920149   | BAR-WC BOT HINGE LH                   | 1   | EA  |       |
| 52   | 044370-000 | CAM DOOR ADJUSTMENT<br>(SXS)          | 2   | EA  |       |
| 53   | PD020234   | SCREW THP 10-32 X .500 SS<br>BO       | 2   | EA  |       |
| 54   | PC020289   | HINGE PLATE LL                        | 1   | EA  |       |
| 55   | PD940107   | ROUND SPRING SPACER                   | 2   | EA  |       |

MC COVER AND UPPER GRILLE ASSEM





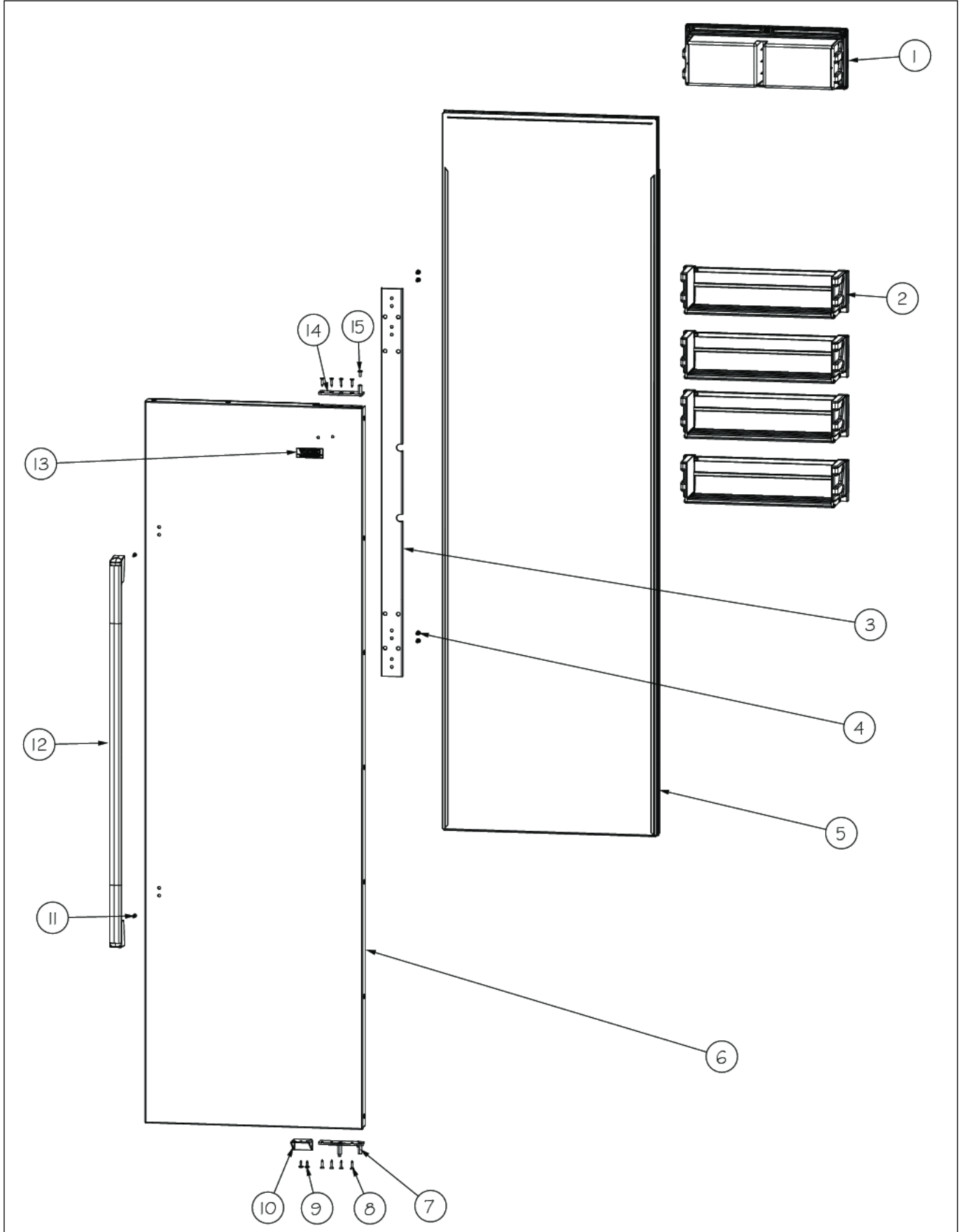
| Item | Part No.   | Name                                   | Qty | Uom | NOTES   |
|------|------------|--|-----|-----|---|
| 1    | PB070355   | INSULATION MC COVER                    | 6   | EA  |   |
| 2    | K2099458   | MC TOP SXS 42                          | 1   | EA  |   |
| 3    | K2099461   | MC BACK 42                             | 1   | EA  |   |
| 4    | PC040010   | POP RIVET (.063/GR -.125)<br>GAMD42-A  | 19  | EA  |   |
| 5    | K2099455   | SUPPORT MC Z                           | 1   | EA  |   |
| 6    | G50915900  | MC COVER BI 42                         | 1   | EA  | Not available<br>online / Call for<br>pricing and<br>availability |
| 7    | PB070360   | INSULATION MC COVER                    | 2   | EA  |   |
| 8    | PB970171   | MC INSULATION - BACK SIDE              | 1   | EA  | Not available<br>online / Call for<br>pricing and<br>availability |
| 9    | K2099459   | MC SIDE (RIGHT)                        | 1   | EA  |   |
| 10   | PD020194   | SCR, HEX SRTD WSHR HD, #8-<br>18 X 1/2 | 12  | EA  |   |
| 11   | A4554806   | BUSHING-SNAP VA4554806                 | 1   | EA  |   |
| 12   | K20915675  | BRACKET PSM                            | 2   | EA  |   |
| 13   | PD040157   | BEARING SLEEVE                         | 4   | EA  |   |
| 14   | K20915903  | CROSSMEMBER PSM 42                     | 1   | EA  | Not available<br>online / Call for<br>pricing and<br>availability |
| 15   | PM910072   | COVER - END CAP                        | 2   | EA  |   |
| 16   | M0215318   | SCREW-SM                               | 10  | EA  |   |
| 17   | PM910348   | ENP CAP GRILLE R                       | 1   | EA  |   |
| 18   | K2099470   | BRACKET GRILLE SUPPORT R               | 1   | EA  |   |
| 19   | M0224128   | SCREW-SM                               | 8   | EA  |   |
| 20   | PK050004   | BRACKET GRILLE 5 SERIES                | 2   | EA  |   |
| 21   | 016193-000 | GRILLE LOWER SXS 42 DES                | 1   | EA  |   |
| 22   | PM910305   | GRILLE CENTER SXS 42 DES               | 1   | EA  |   |
| 23   | M0230028   | SCREW-TC                               | 1   | EA  |   |
| 24   | PM910084   | SUPPORT GRILLE 12201201                | 1   | EA  |   |
| 25   | PF930523   | GRILL BLADE LABEL<br>(REFRIGERATOR)    | 1   | EA  |   |
| 26   | K2099471   | BRACKET GRILLE SUPPORT L               | 1   | EA  |   |
| 27   | PM910349   | END CAP GRILLE L                       | 1   | EA  |   |



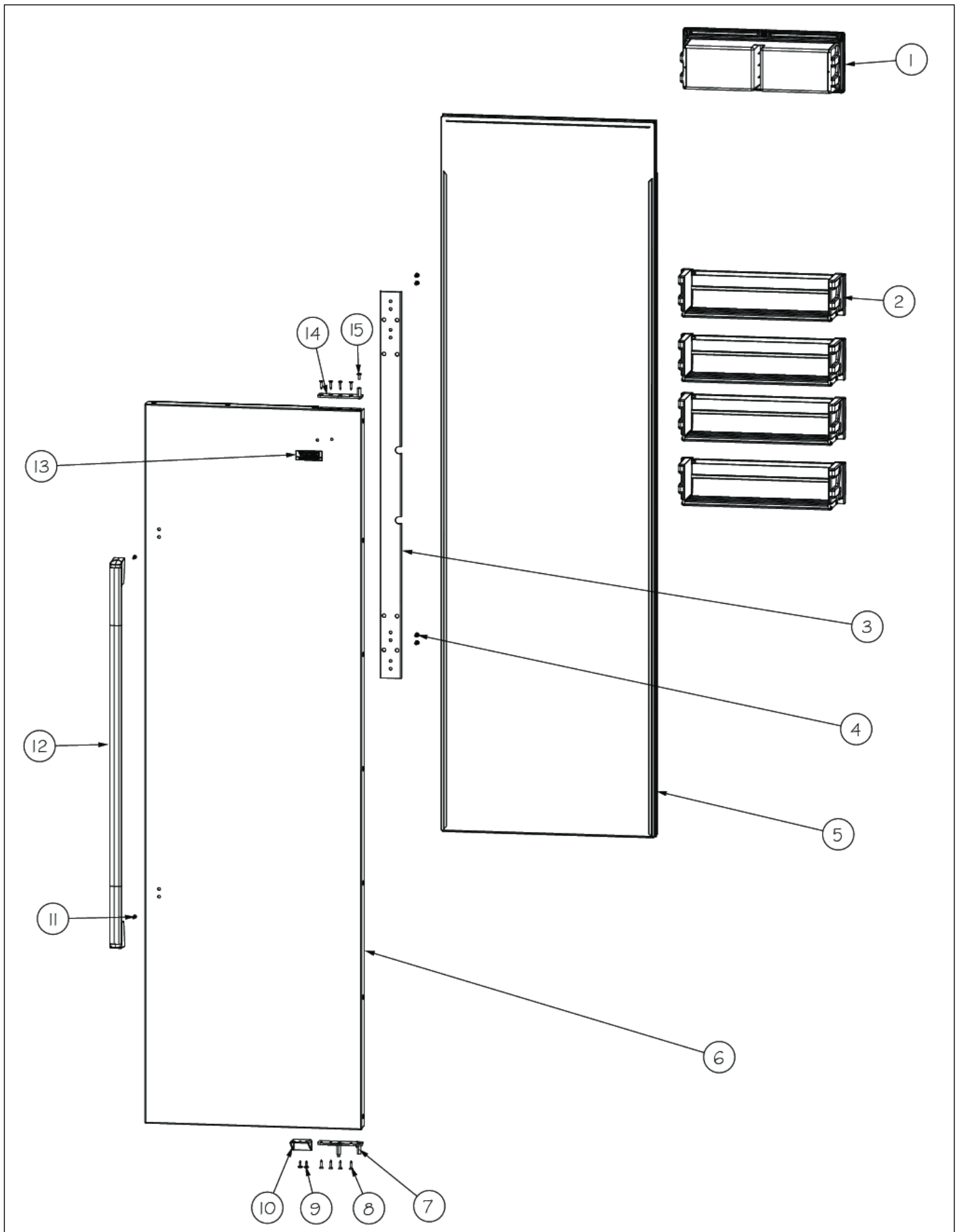


| Item | Part No. | Name   | Qty | Uom | NOTES |
|------|----------|--|-----|-----|-------|
| 28   | PD020233 | SCR LAG 5/16-9 GX 5/16X7/16<br>WAF IHXW 3 S ZN | 1   | EA  |       |
| 29   | K2099460 | MC SIDE L                                      | 1   | EA  |       |

REFRIG DOOR ASSEMBLY

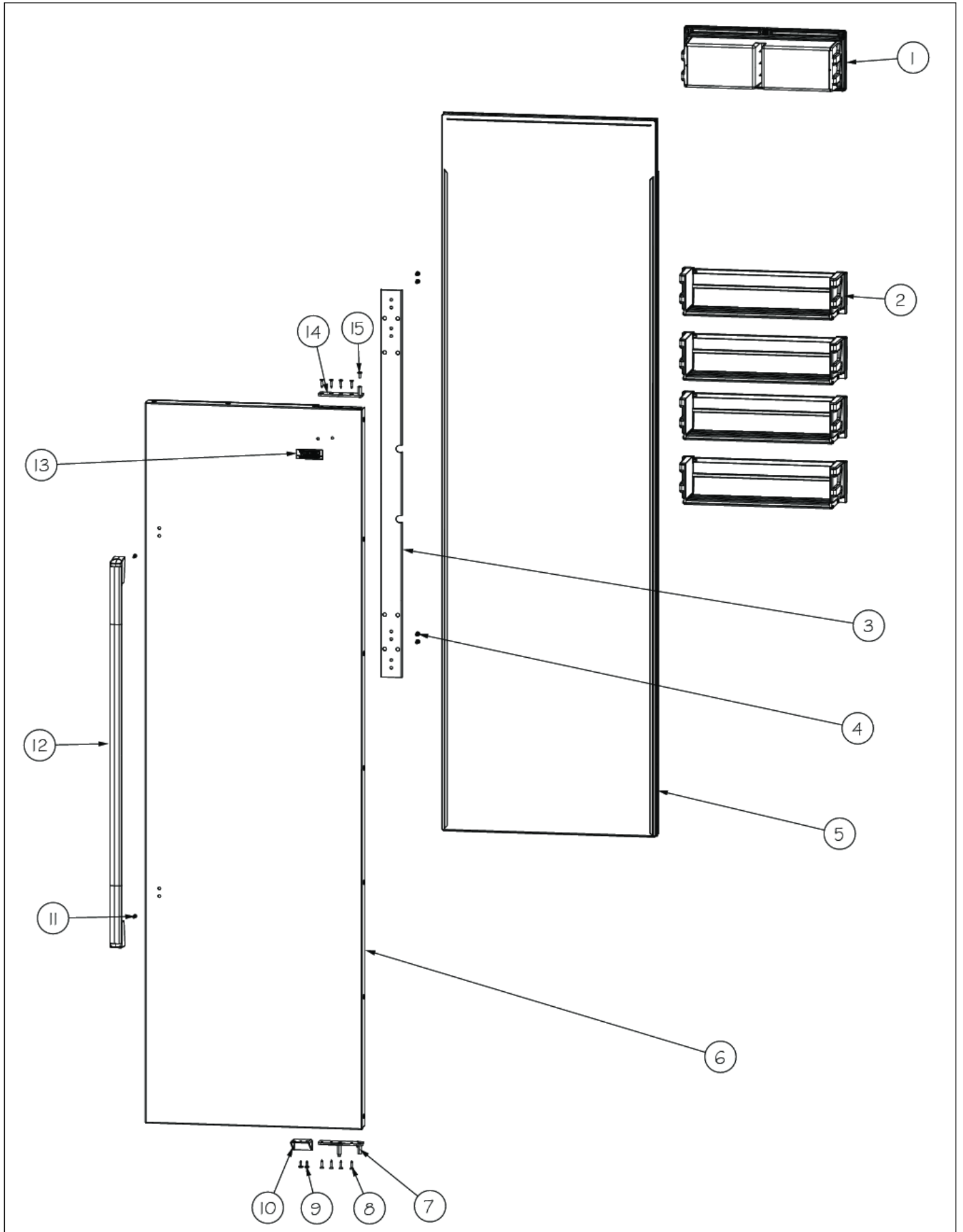


| Item | Part No.   | Name   | Qty | Uom | NOTES  |
|------|------------|--|-----|-----|--|
| 1    | PK930123   | DAIRY MODULE ASM SXS 42                        | 1   | EA  |  |
| 2    | 036890-000 | DOORBIN ASM SXS 42 FF                          | 4   | EA  |  |
| 3    | 013328-000 | BRKT,HANDLE,SUPPORT,PRO                        | 1   | EA  |  |
| 4    | 008974-000 | SCREW 10 - 32 X 3/4 SLOT HEX WASHER W/ LOCTITE | 4   | EA  |  |
| 5    | 12128001   | PLUG-INNER DOOR                                | 1   | EA  |  |
| 6    | 013452-000 | SKIN,DOOR,SXS 42 DES FF SS                     | 1   | EA  | Not available online / Call for pricing and availability |
| 6    | 013458-002 | SKIN, DOOR, SXS 42D DES FF BK                  | 1   | EA  |  |
| 6    | 013458-003 | SKIN, DOOR, SXS 42D DES FF BT                  | 1   | EA  |  |
| 6    | 013458-004 | SKIN, DOOR, SXS 42D DES FF SG                  | 1   | EA  |  |
| 6    | 013458-005 | SKIN, DOOR, SXS 42D DES FF GG                  | 1   | EA  |  |
| 6    | 013458-007 | SKIN, DOOR, SXS 42D DES FF AL                  | 1   | EA  | Not available online / Call for pricing and availability |
| 6    | 013458-008 | SKIN, DOOR, SXS 42D DES FF BU                  | 1   | EA  | Not available online / Call for pricing and availability |
| 6    | 013458-009 | SKIN, DOOR, SXS 42D DES FF LE                  | 1   | EA  |  |
| 6    | 013458-010 | SKIN, DOOR, SXS 42D DES FF MJ                  | 1   | EA  |  |
| 6    | 013458-011 | SKIN, DOOR, SXS 42D DES FF FG                  | 1   | EA  | Not available online / Call for pricing and availability |
| 6    | 013458-012 | SKIN, DOOR, SXS 42D DES FF VB                  | 1   | EA  |  |
| 6    | 013458-013 | SKIN, DOOR, SXS 42D DES FF CB                  | 1   | EA  |  |
| 6    | 013458-014 | SKIN, DOOR, SXS 42D DES FF EP                  | 1   | EA  | Not available online / Call for pricing and availability |
| 6    | 013458-015 | SKIN, DOOR, SXS 42D DES FF PL                  | 1   | EA  |  |
| 6    | 013458-016 | SKIN, DOOR, SXS 42D DES FF CH                  | 1   | EA  |  |



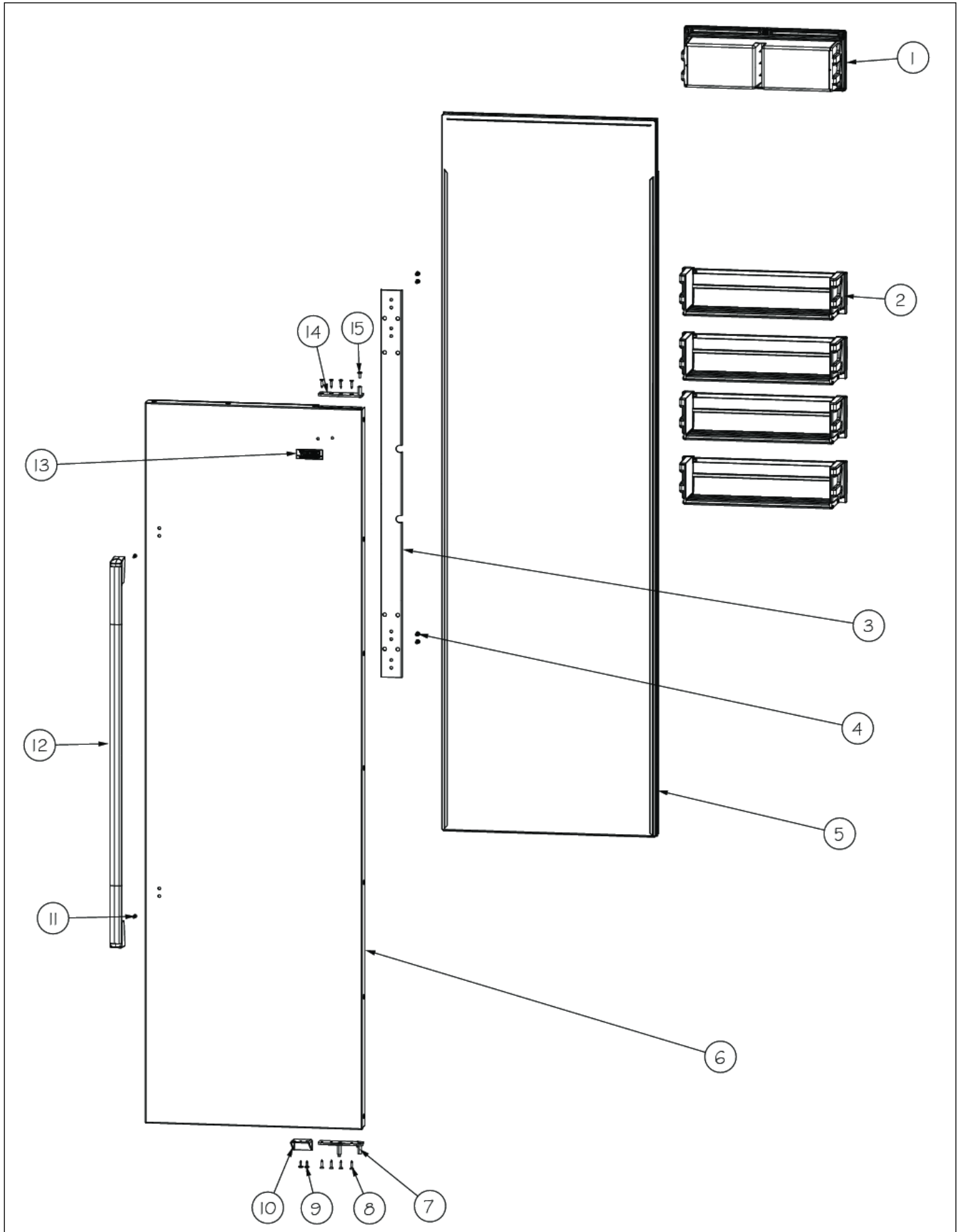


| Item | Part No.   | Name                                | Qty | Uom | NOTES  |
|------|------------|-------------------------------------|-----|-----|--|
| 6    | 013458-017 | SKIN, DOOR, SXS 42D DES FF TP       | 1   | EA  |  |
| 6    | 013458-018 | SKIN, DOOR, SXS 42D DES FF CW NLA   | 1   | EA  |  |
| 6    | 013458-019 | SKIN, DOOR, SXS 42D DES FF OG       | 1   | EA  |  |
| 6    | 013458-020 | SKIN, DOOR, SXS 42D DES FF GM       | 1   | EA  |  |
| 6    | 013458-021 | SKIN, DOOR, SXS 42D DES FF SA       | 1   | EA  |  |
| 6    | 013458-022 | SKIN, DOOR, SXS 42D DES FF SE       | 1   | EA  |  |
| 6    | 013458-023 | SKIN, DOOR, SXS 42D DES FF IB       | 1   | EA  |  |
| 6    | 013458-024 | SKIN, DOOR, SXS 42D DES FF AR       | 1   | EA  |  |
| 6    | 013458-025 | SKIN, DOOR, SXS 42D DES FF RR       | 1   | EA  |  |
| 6    | 013458-026 | SKIN, DOOR, SXS 42D DES FF PM       | 1   | EA  |  |
| 6    | 013458-027 | SKIN, DOOR, SXS 42D DES FF MS       | 1   | EA  |  |
| 7    | 016181-000 | PIVOT PL ASM RH LW PRO/DES          | 1   | EA  |  |
| 8    | PD920174   | 10X7/8 PHILLIPS SMA TRI LOBE SA     | 5   | EA  |  |
| 9    | M0210458   | SUB TO VM0210458                    | 1   | EA  |  |
| 10   | PD050019   | STRIKER DOOR SWITCH                 | 1   | EA  |  |
| 11   | PD020043   | #6-32 X .750 PH. CTRSK T(F)-VGSO166 | 2   | EA  |  |
| 12   | 014237-000 | HANDLE,ASM,DES                      | 1   | EA  |  |
| 13   | 013700-000 | 2.75" DESIGNER LOGO WITH PINS       | 1   | EA  |  |
| 14   | PC020278   | PIVOT PL ASM RH UP PRO/DES          | 1   | EA  |  |
| 15   | PD020234   | SCREW THP 10-32 X .500 SS BO        | 1   | EA  |  |
| NI   | 011437-000 | DOOR, SKIN, ASM, SXS 42 DES FF SS   | 1   | EA  | Not available online / Call for pricing and availability |
| NI   | 011180-002 | DOOR, SKIN, ASM, SXS 42 DES FF BK   | 1   | EA  |  |





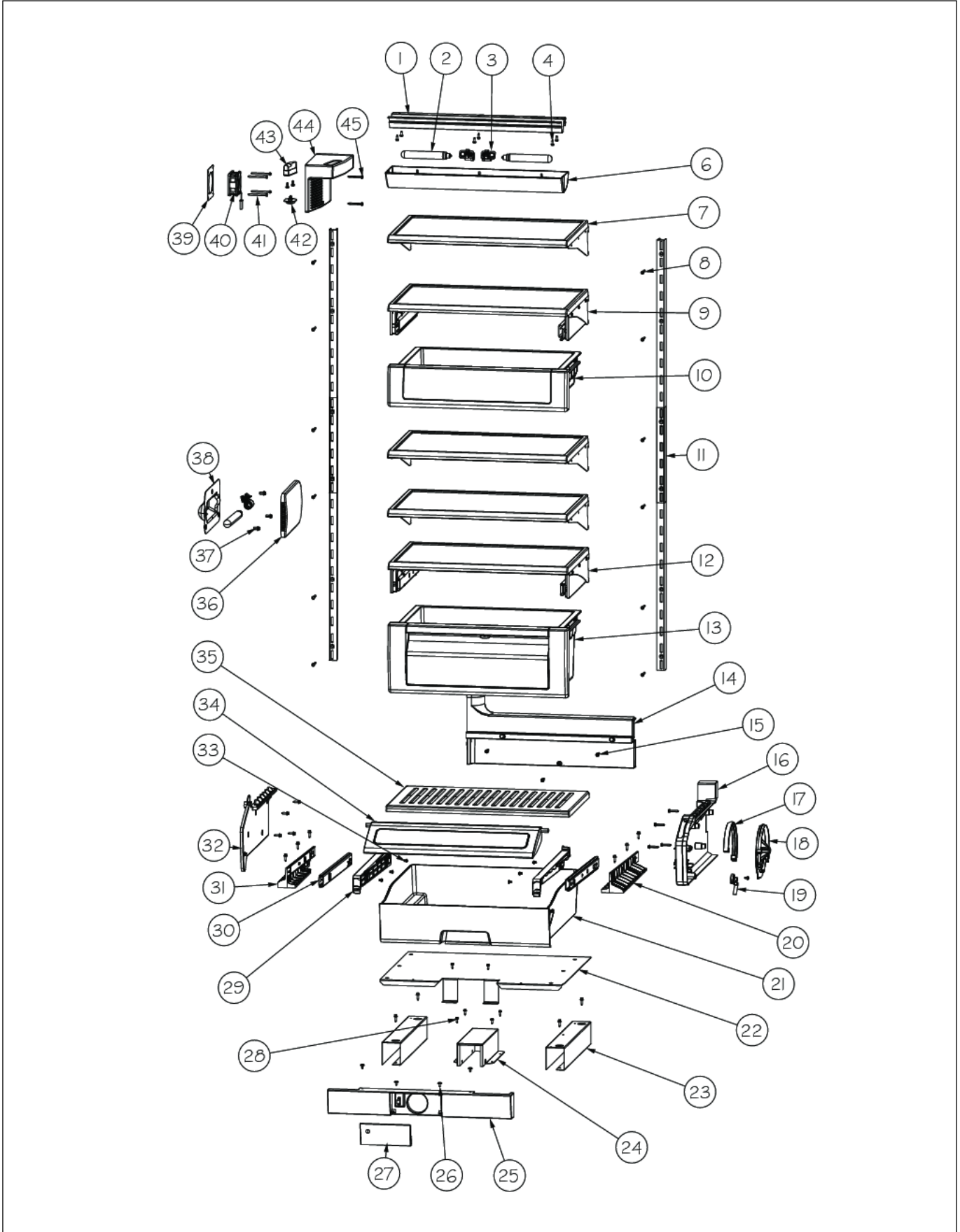
| Item | Part No.   | Name                                     | Qty | Uom | NOTES   |
|------|------------|--|-----|-----|---|
| NI   | 011180-003 | DOOR, SKIN, ASM, SXS 42 DES<br>FF BT     | 1   | EA  |   |
| NI   | 011180-004 | DOOR, SKIN, ASM, SXS 42 DES<br>FF SG     | 1   | EA  |   |
| NI   | 011180-005 | DOOR, SKIN, ASM, SXS 42 DES<br>FF GG     | 1   | EA  |   |
| NI   | 011180-007 | DOOR, SKIN, ASM, SXS 42 DES<br>FF AL     | 1   | EA  | Not available<br>online / Call for<br>pricing and<br>availability |
| NI   | 011180-008 | DOOR, SKIN, ASM, SXS 42 DES<br>FF BU     | 1   | EA  |   |
| NI   | 011180-009 | DOOR, SKIN, ASM, SXS 42 DES<br>FF LE     | 1   | EA  |   |
| NI   | 011180-010 | DOOR, SKIN, ASM, SXS 42 DES<br>FF MJ     | 1   | EA  |   |
| NI   | 011180-011 | DOOR, SKIN, ASM, SXS 42 DES<br>FF FG     | 1   | EA  | Not available<br>online / Call for<br>pricing and<br>availability |
| NI   | 011180-012 | DOOR, SKIN, ASM, SXS 42 DES<br>FF VB     | 1   | EA  |   |
| NI   | 011180-013 | DOOR, SKIN, ASM, SXS 42 DES<br>FF CB     | 1   | EA  |   |
| NI   | 011180-014 | DOOR, SKIN, ASM, SXS 42 DES<br>FF EP     | 1   | EA  | Not available<br>online / Call for<br>pricing and<br>availability |
| NI   | 011180-015 | DOOR, SKIN, ASM, SXS 42 DES<br>FF PL     | 1   | EA  |   |
| NI   | 011180-016 | DOOR, SKIN, ASM, SXS 42 DES<br>FF CH     | 1   | EA  |   |
| NI   | 011180-017 | DOOR, SKIN, ASM, SXS 42 DES<br>FF TP     | 1   | EA  |   |
| NI   | 011180-018 | DOOR, SKIN, ASM, SXS 42 DES<br>FF CW NLA | 1   | EA  |   |
| NI   | 011180-019 | DOOR, SKIN, ASM, SXS 42 DES<br>FF OG     | 1   | EA  |   |
| NI   | 011180-020 | DOOR, SKIN, ASM, SXS 42 DES<br>FF GM     | 1   | EA  |   |
| NI   | 011180-021 | DOOR, SKIN, ASM, SXS 42 DES<br>FF SA     | 1   | EA  |   |
| NI   | 011180-022 | DOOR, SKIN, ASM, SXS 42 DES<br>FF SE     | 1   | EA  |   |
| NI   | 011180-023 | DOOR, SKIN, ASM, SXS 42 DES<br>FF IB     | 1   | EA  |   |



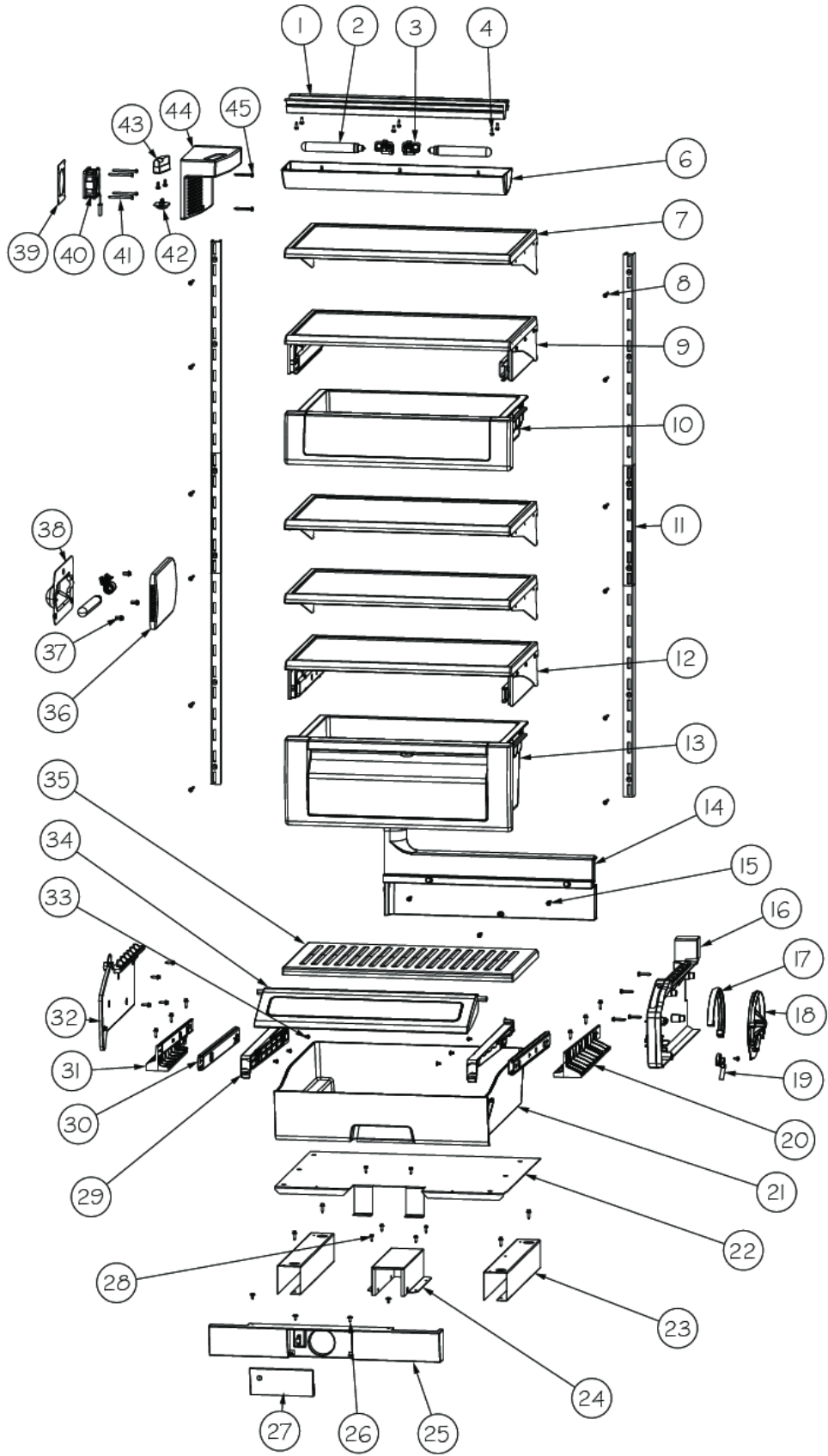


| Item | Part No.   | Name                                 | Qty | Uom | NOTES |
|------|------------|--------------------------------------|-----|-----|-------|
| NI   | 011180-024 | DOOR, SKIN, ASM, SXS 42 DES<br>FF AR | 1   | EA  |       |
| NI   | 011180-025 | DOOR, SKIN, ASM, SXS 42 DES<br>FF RR | 1   | EA  |       |
| NI   | 011180-026 | DOOR, SKIN, ASM, SXS 42 DES<br>FF PM | 1   | EA  |       |
| NI   | 011180-027 | DOOR, SKIN, ASM, SXS 42 DES<br>FF MS | 1   | EA  |       |

REFRIG INTERIOR ASSEMBLY



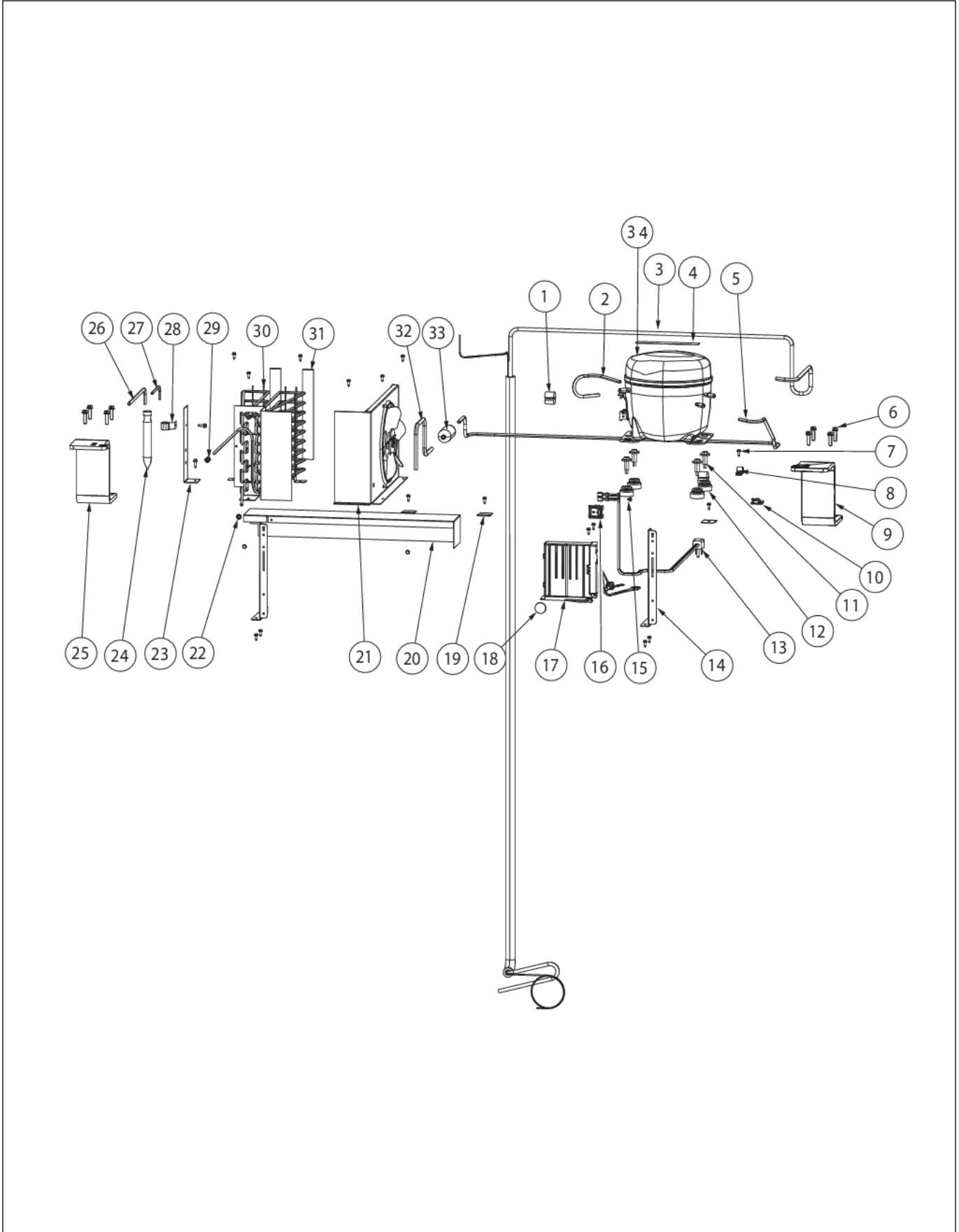
| Item | Part No.   | Name                                 | Qty | Uom | NOTES  |
|------|------------|--------------------------------------|-----|-----|--|
| 1    | L2099474   | BRACKET LIGHT SXS 42 FF              | 1   | EA  | Not available online / Call for pricing and availability |
| 2    | 004528-000 | LAMP, 40 WATT CLEAR LIGHT            | 3   | EA  |  |
| 3    | PE950125   | LIGHT SOCKET                         | 3   | EA  |  |
| 4    | PD020195   | SCR 8-18 X 5/8                       | 24  | EA  |  |
| 5    | PD020193   | SCR 8-18 X 3/8                       | 1   | EA  |  |
| 6    | PK930115   | COVER LIGHT ASM SXS 42 FF            | 1   | EA  |  |
| 7    | 043623-000 | SHELF ASM GLASS 42 FF                | 3   | EA  |  |
| 8    | M0238535   | SCREW-SM                             | 12  | EA  |  |
| 9    | G5099426   | SHELF AND SLIDE ASSEMBLY             | 1   | EA  |  |
| 10   | G32910068  | DRAWER DELI & RAIL ASM SXS 42        | 1   | EA  |  |
| 11   | PM910227   | LADDER RS REF                        | 2   | EA  |  |
| 12   | G5099965   | SHELF AND SLIDE ASM SXS 42           | 1   | EA  |  |
| 13   | 012809-000 | PRODUCE DRAWER & RAIL ASM SXS 42     | 1   | EA  |  |
| 14   | PK930171   | DUCT MEAT SAVOR SXS 42 REAR          | 1   | EA  |  |
| 15   | M0211021   | SCREW-SM                             | 3   | EA  |  |
| 16   | 044232-000 | DUCT MEAT SAVOR (R)                  | 1   | EA  |  |
| 17   | PK930172   | COVER CONTROL MEAT SAVOR             | 1   | EA  |  |
| 18   | 044384-000 | DIAL CONTROL MEAT SAVOR              | 1   | EA  |  |
| 19   | PM910334   | ROLLER TENSION                       | 1   | EA  |  |
| 20   | PK930173   | SUPPORT SLIDE MEAT SAVOR SXS 42/48 R | 1   | EA  |  |
| 21   | PK930114   | DRAWER MEAT SAVOR SXS 42             | 1   | EA  |  |
| 22   | L2099251   | Floor False 42 SxS disp              | 1   | EA  |  |
| 23   | K20913096  | BRACKET FALSE FLOOR                  | 2   | EA  |  |
| 24   | L20915031  | COVER WATER FILTER 42/48 DISP        | 1   | EA  |  |
| 25   | PK930237   | COVER FALSE FRONT 42 SXS DISP        | 1   | EA  |  |
| 26   | PD020032   | SRW-8(A)X3/8"PH.WFR HD 7/16DIA*NICL  | 4   | EA  |  |
| 27   | PK930313   | COVER WATER FILTER SXS DISP          | 1   | EA  |  |





| Item   | Part No.   | Name                                 | Qty | Uom | NOTES |
|--|------------|--------------------------------------|-----|-----|-------|
| 28   | PD020194   | SCR, HEX SRTD WSHR HD, #8-18 X 1/2   | 4   | EA  |       |
| 29   | PK930176   | SUPPORT DRAWER MEAT SAVOR 42/48 L    | 1   | EA  |       |
| 30   | PM910288   | SLIDE MEAT SAVOR L                   | 1   | EA  |       |
| <p>Comments for Part Num. PM910288</p> <p>profixappliances@gmail.com on May 3, 2017</p> <p>ITEM # 5 SHOULD BE PK930288-DOOR MEATSAVOR ASM AR/BM 36</p>                                     |            |                                      |     |     |       |
| 31   | PK930174   | SUPPORT SLIDE MEAT SAVOR SXS 42/48 L | 1   | EA  |       |
| 32   | PK930170   | DUCT MEAT SAVOR SXS 42 L             | 1   | EA  |       |
| 33   | PD920162   | SCR 8-16 PLASTITE PNP 1/4 S          | 2   | EA  |       |
| 34   | 045689-000 | DOOR MEATSAVOR ASM SXS 42            | 1   | EA  |       |
| 35   | PK930120   | SHELF MEAT SAVOR SXS 42              | 1   | EA  |       |
| 36   | PK930346   | COVER LIGHT                          | 1   | EA  |       |
| 37   | M0580007   | GROMMET-SCREW                        | 3   | EA  |       |
| 38   | 10270203   | HOUSING-LIGHT V10270203              | 1   | EA  |       |
| 39   | 007302-000 | BRACKET,FAN                          | 1   | EA  |       |
| 40   | 004551-000 | AXIAL FAN                            | 1   | EA  |       |
| <p>Comments for Part Num. 004551-000</p> <p>gboltz@VikingRange.com on Jul 21, 2016</p> <p>View service bulletin TR-0052-SP before ordering fan, if applicable order kit instead of fan</p> |            |                                      |     |     |       |
| 41   | M0221913   | SCREW-SM                             | 4   | EA  |       |
| 42   | C8983701   | THERMISTOR                           | 1   | EA  |       |
| 43   | 010093-000 | PLASMA CLUSTER                       | 1   | EA  |       |
| 44   | 012312-000 | FAN COVER SXS                        | 1   | EA  |       |
| 45   | PD020188   | SCR 8-18 BT HXWS 1 1/2               | 2   | EA  |       |

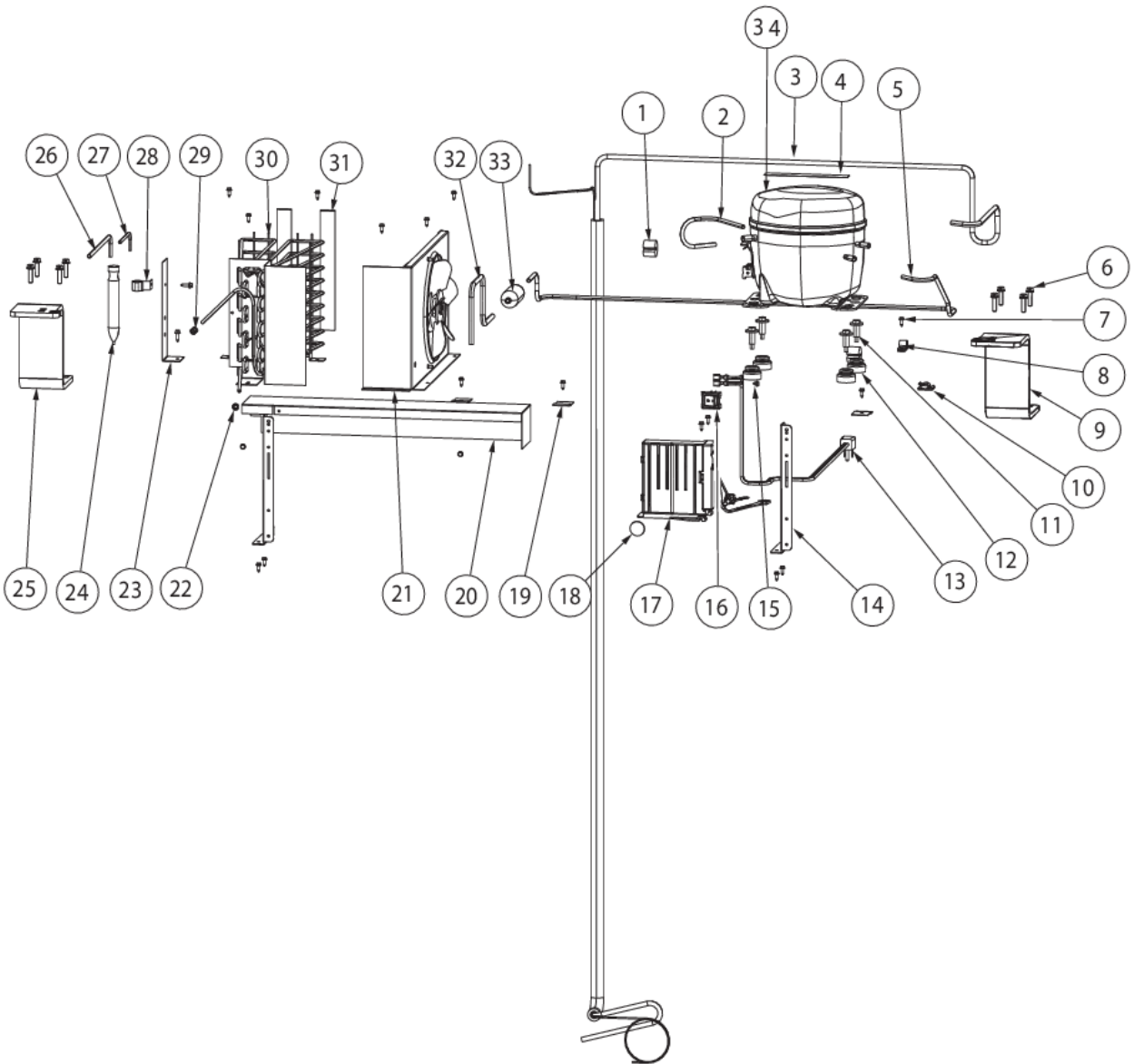
SEALED SYSTEM ASSEMBLY







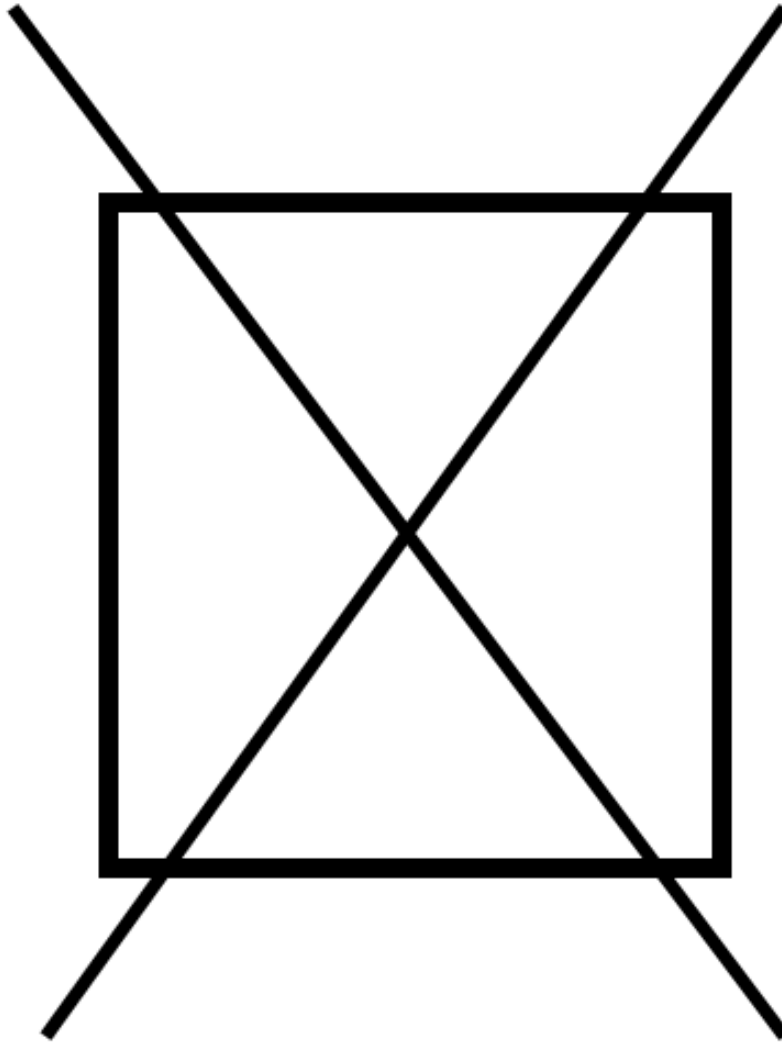
| Item                                  | Part No.   | Name  | Qty | Uom | NOTES   |
|---------------------------------------|------------|---|-----|-----|---|
| 1                                     | 10699601   | DAMPER-TUBING .8                            | 2   | EA  |   |
| 2                                     | F2096507   | TUBE-PROCESS GRN                            | 1   | EA  |   |
| 3                                     | 053308-000 | HEAT EXCHANGER ASM SXS<br>42                | 1   | EA  |   |
| 4                                     | C8982701   | LABEL-COMP WARN                             | 1   | EA  |   |
| 5                                     | F2099443   | TUBE DISCHARGE FORMED<br>PRE ACCUM          | 1   | EA  |   |
| 6                                     | 000570-000 | FASTENER, BOLT, 1/4-20<br>IHXWS 1" S ZN SER | 8   | EA  |   |
| 7                                     | PD020195   | SCR 8-18 X 5/8                              | 20  | EA  |   |
| 8                                     | PD030118   | INSULATED CLAMP                             | 1   | EA  |   |
| 9                                     | PC920203   | HINGE ASM UR                                | 1   | EA  |   |
| 10                                    | M0104106   | CLIP-CORD VM0104106                         | 1   | EA  |   |
| 11                                    | M0221523   | SCREW - SHLDR                               | 4   | EA  |   |
| 12                                    | 10835901   | GROMMET RUBBER<br>V10835901                 | 4   | EA  |   |
| 13                                    | 10916507   | CORD-POWER 5 SERIES                         | 1   | EA  |   |
| 14                                    | K20912569  | BRACKET GRILLE SUPPORT                      | 2   | EA  |   |
| 15                                    | M0211014   | SCREW-SM                                    | 1   | EA  | Not available<br>online / Call for<br>pricing and<br>availability |
| 16                                    | PE950149   | SWITCH POWER                                | 1   | EA  |   |
| 17                                    | 011666-000 | INVERTER,CMPR,ASM                           | 1   | EA  |   |
| Comments for Part Num. 011666-000     |            |   |     |     |   |
| gboltz@VikingRange.com on Aug 9, 2018 |            |   |     |     |   |
| See 2018-01P Parts Bulletin           |            |   |     |     |   |
| 18                                    | PF930682   | LABEL WARNING INVERTER                      | 1   | EA  |   |
| 19                                    | K2096943   | PANEL BRACKET                               | 3   | EA  |   |
| 20                                    | K20912585  | DIVERTER AIR HI SIDE SXS                    | 1   | EA  | Not available<br>online / Call for<br>pricing and<br>availability |
| 21                                    | G5096494   | COND. FAN ASSY                              | 1   | EA  |   |
| 22                                    | 007408-000 | RING,LOK, .250 DIA                          | 1   | EA  |   |
| 23                                    | K2099454   | BRACKET DRIER                               | 1   | EA  |   |
| 24                                    | PM010616   | DRIER - HIGH SIDE                           | 1   | EA  |   |





| Item | Part No.   | Name                                | Qty | Uom | NOTES |
|------|------------|-------------------------------------|-----|-----|-------|
| 25   | PC920193   | HINGE ASSEM UPPER RH                | 1   | EA  |       |
| 26   | F2097740   | TUBE PROCESS                        | 1   | EA  |       |
| 27   | F2096504   | TUBE-DRIER EXT                      | 1   | EA  |       |
| 28   | 10547001   | CLIP-DRIER V10547001                | 1   | EA  |       |
| 29   | 007407-000 | RING,LOK, .187 DIA                  | 1   | EA  |       |
| 30   | PB920171   | CONDENSER ASM                       | 1   | EA  |       |
| 31   | A3189370   | GASKET-FOAM VA3189370               | 2   | EA  |       |
| 32   | F2099444   | TUBE DISCHARGE FORMED<br>POST ACCUM | 1   | EA  |       |
| 33   | PB920201   | ACCUMULATOR                         | 1   | EA  |       |
| 34   | PM010619   | COMPRESSOR VCC AF                   | 1   | EA  |       |

# NON ILLUSTRATED PART





| Item  | Part No.   | Name                           | Qty | Uom | NOTES |
|---|------------|--------------------------------|-----|-----|-------|
| NI  | PE970464   | HARNESS LOW VOLT 5 SERIES      | 1   | EA  |       |
| NI  | 015365-000 | HARNESS HIGH VOLT              | 1   | EA  |       |
| NI  | PE070728   | BOARD LOW VOLTAGE              | 1   | EA  |       |
| Comments for Part Num. PE070728   |            |                                |     |     |       |
| bradleysapplianceservice@shaw.ca on Apr 27, 2016                                |            |                                |     |     |       |
| COULD ALSO USE: 002670-000 LOW VOLTAGE BOARD KIT ANALOG - INCLUDES WIRE HARNESS |            |                                |     |     |       |
| NI  | PE970609   | HARNESS CONTROL BOARD 5 SERIES | 1   | EA  |       |
| NI  | 043051-000 | Door Harness                   | 1   | EA  |       |
| NI  | PE070751   | HARNESS JUMPER DISP CAVITY     | 1   | EA  |       |
| NI  | 040066-000 | HARNESS JUMPER LOWER           | 1   | EA  |       |
| NI  | 040078-000 | HARNESS, JUMPER DISP CAVITY    | 1   | EA  |       |
| NI  | 048806-000 | DISPENSER WIRE SHIELD          | 1   | EA  |       |



Appendix A:Pages Index

CONTROL ASSEMBLY ..... 1  
EXTERIOR ASSEMBLY ..... 2  
FREEZER DOOR ASSEMBLY ..... 3  
FREEZER INTERIOR ASSEMBLY ..... 4  
LOW SIDE ASSEMBLY ..... 5  
LOWER UNIT ASSEMBLY ..... 6  
MC COVER AND UPPER GRILLE ASSEM ..... 7  
REFRIG DOOR ASSEMBLY ..... 8  
REFRIG INTERIOR ASSEMBLY ..... 9  
SEALED SYSTEM ASSEMBLY ..... 10  
WIRING ..... 11



Appendix B:Parts Index

|            |         |            |      |
|------------|---------|------------|------|
| 000207-002 | 2       | 011269-002 | 3    |
| 000570-000 | 6, 10   | 011269-003 | 3    |
| 003334-000 | 3       | 011269-004 | 3    |
| 003867-000 | 6       | 011269-005 | 3    |
| 004528-000 | 4, 9    | 011269-007 | 3    |
| 004551-000 | 4, 6, 9 | 011269-008 | 3    |
| 005319-000 | 1       | 011269-009 | 3    |
| 005396-000 | 1       | 011269-010 | 3    |
| 007302-000 | 4, 9    | 011269-011 | 3    |
| 007407-000 | 10      | 011269-012 | 3    |
| 007408-000 | 10      | 011269-013 | 3    |
| 007521-000 | 3       | 011269-014 | 3    |
| 008974-000 | 3, 8    | 011269-015 | 3    |
| 010093-000 | 9       | 011269-016 | 3    |
| 010488-000 | 1       | 011269-017 | 3    |
| 011180-002 | 8       | 011269-018 | 3    |
| 011180-003 | 8       | 011269-019 | 3    |
| 011180-004 | 8       | 011269-020 | 3    |
| 011180-005 | 8       | 011269-021 | 3    |
| 011180-007 | 8       | 011269-022 | 3    |
| 011180-008 | 8       | 011269-023 | 3    |
| 011180-009 | 8       | 011269-024 | 3    |
| 011180-010 | 8       | 011269-025 | 3    |
| 011180-011 | 8       | 011269-026 | 3    |
| 011180-012 | 8       | 011269-027 | 3    |
| 011180-013 | 8       | 011437-000 | 8    |
| 011180-014 | 8       | 011441-000 | 3    |
| 011180-015 | 8       | 011666-000 | 10   |
| 011180-016 | 8       | 011678-000 | 3    |
| 011180-017 | 8       | 012312-000 | 9    |
| 011180-018 | 8       | 012809-000 | 9    |
| 011180-019 | 8       | 013328-000 | 3, 8 |
| 011180-020 | 8       | 013452-000 | 8    |
| 011180-021 | 8       | 013458-002 | 8    |
| 011180-022 | 8       | 013458-003 | 8    |
| 011180-023 | 8       | 013458-004 | 8    |
| 011180-024 | 8       | 013458-005 | 8    |
| 011180-025 | 8       | 013458-007 | 8    |
| 011180-026 | 8       | 013458-008 | 8    |
| 011180-027 | 8       | 013458-009 | 8    |
|            |         | 013458-010 | 8    |



|            |   |            |       |
|------------|---|------------|-------|
| 013458-011 | 8 | 013983-024 | 3     |
| 013458-012 | 8 | 013983-025 | 3     |
| 013458-013 | 8 | 013983-026 | 3     |
| 013458-014 | 8 | 013983-027 | 3     |
| 013458-015 | 8 | 014005-000 | 3     |
| 013458-016 | 8 | 014237-000 | 3, 8  |
| 013458-017 | 8 | 014334-000 | 6     |
| 013458-018 | 8 | 014808-000 | 6     |
| 013458-019 | 8 | 015156-000 | 3     |
| 013458-020 | 8 | 015166-000 | 3     |
| 013458-021 | 8 | 015365-000 | 11    |
| 013458-022 | 8 | 015813-000 | 4, 5  |
| 013458-023 | 8 | 016181-000 | 8     |
| 013458-024 | 8 | 016182-000 | 3     |
| 013458-025 | 8 | 016193-000 | 7     |
| 013458-026 | 8 | 019144-000 | 4     |
| 013458-027 | 8 | 020117-000 | 4     |
| 013681-000 | 3 | 029418-000 | 4, 5  |
| 013685-000 | 3 | 036579-000 | 3     |
| 013700-000 | 8 | 036580-000 | 3     |
| 013983-002 | 3 | 036888-000 | 3     |
| 013983-003 | 3 | 036890-000 | 8     |
| 013983-004 | 3 | 040066-000 | 6, 11 |
| 013983-005 | 3 | 040078-000 | 11    |
| 013983-007 | 3 | 041669-000 | 6     |
| 013983-008 | 3 | 043051-000 | 11    |
| 013983-009 | 3 | 043623-000 | 9     |
| 013983-010 | 3 | 044232-000 | 9     |
| 013983-011 | 3 | 044370-000 | 6     |
| 013983-012 | 3 | 044384-000 | 9     |
| 013983-013 | 3 | 045689-000 | 9     |
| 013983-014 | 3 | 048806-000 | 11    |
| 013983-015 | 3 | 053308-000 | 5, 10 |
| 013983-016 | 3 | 058966-000 | 5     |
| 013983-017 | 3 | 060890-000 | 6     |
| 013983-018 | 3 | 060891-000 | 6     |
| 013983-019 | 3 | 10270203   | 4, 9  |
| 013983-020 | 3 | 10276601   | 4, 5  |
| 013983-021 | 3 | 10428101   | 5     |
| 013983-022 | 3 | 10527401   | 5     |
| 013983-023 | 3 | 10547001   | 10    |





|            |       |             |          |
|------------|-------|-------------|----------|
| 10623003   | 5     | K20910061   | 1        |
| 10629001   | 5     | K20911831   | 6        |
| 10699601   | 10    | K20912569   | 10       |
| 10835901   | 10    | K20912585   | 10       |
| 10916507   | 10    | K20913096   | 9        |
| 12064001   | 1     | K20915000   | 1        |
| 12128001   | 8     | K20915675   | 7        |
| 12258501   | 4     | K20915903   | 7        |
| 40370P01   | 2     | K20915952   | 6        |
| A3030361   | 1     | K2096456    | 5        |
| A3189370   | 5, 10 | K2096457    | 5        |
| A4554806   | 6, 7  | K2096458    | 5        |
| A4554817   | 1, 6  | K2096461    | 5        |
| B10910081  | 3     | K2096943    | 10       |
| B20911863  | 4     | K2098044    | 6        |
| B20915627  | 6     | K2098096    | 6        |
| B8385402   | 3     | K2098654    | 1        |
| C20910027  | 4     | K2099402    | 1        |
| C8982701   | 10    | K2099454    | 10       |
| C8983701   | 5, 9  | K2099455    | 7        |
| C90914113  | 4     | K2099458    | 7        |
| C9097789BK | 2     | K2099459    | 7        |
| F20915693  | 6     | K2099460    | 7        |
| F2096504   | 10    | K2099461    | 7        |
| F2096507   | 10    | K2099470    | 7        |
| F2097740   | 10    | K2099471    | 7        |
| F2099443   | 10    | L20910054   | 5        |
| F2099444   | 10    | L20910067   | 4        |
| G32910068  | 9     | L20914124WH | 6        |
| G32913791  | 6     | L20915031   | 9        |
| G32914174  | 6     | L2097158WH  | 4, 5     |
| G32915704  | 6     | L2097577    | 5        |
| G50911853  | 6     | L2098028    | 5        |
| G50911855  | 4     | L2099251    | 9        |
| G50914155  | 3     | L2099474    | 9        |
| G50915900  | 7     | L2099475    | 4        |
| G5096494   | 10    | M0104102    | 6        |
| G5098660   | 5     | M0104106    | 1, 6, 10 |
| G5099426   | 9     | M0210443    | 2, 3     |
| G5099965   | 9     | M0210458    | 3, 8     |
| K20910060  | 1     | M0211014    | 5, 10    |



|          |            |          |                  |
|----------|------------|----------|------------------|
| M0211021 | 4, 9       | PD020032 | 9                |
| M0213503 | 4          | PD020043 | 3, 8             |
| M0215318 | 2, 3, 3, 7 | PD020188 | 4, 9             |
| M0220417 | 6          | PD020191 | 4                |
| M0221523 | 6, 10      | PD020193 | 3, 9             |
| M0221913 | 4, 9       | PD020194 | 1, 4, 5, 6, 7, 9 |
| M0224128 | 1, 7       | PD020195 | 9, 10            |
| M0230028 | 7          | PD020233 | 7                |
| M0238535 | 4, 9       | PD020234 | 3, 6, 8          |
| M0238846 | 1          | PD020274 | 6                |
| M0238859 | 5          | PD030118 | 10               |
| M0253916 | 6          | PD030146 | 6                |
| M0270546 | 3          | PD040071 | 3                |
| M0288120 | 1          | PD040157 | 7                |
| M0580007 | 4, 9       | PD050019 | 3, 8             |
| M0585504 | 1          | PD920162 | 9                |
| M0585506 | 1          | PD920174 | 3, 8             |
| PB020294 | 6          | PD940090 | 6                |
| PB020301 | 6          | PD940091 | 6                |
| PB020303 | 6          | PD940094 | 6                |
| PB070355 | 7          | PD940107 | 6                |
| PB070360 | 7          | PE050248 | 6                |
| PB920171 | 10         | PE070728 | 1, 11            |
| PB920201 | 10         | PE070751 | 11               |
| PB970171 | 7          | PE070755 | 3                |
| PB970176 | 4          | PE070785 | 1                |
| PC010022 | 3          | PE950125 | 4, 9             |
| PC020278 | 8          | PE950146 | 6                |
| PC020279 | 3          | PE950147 | 6                |
| PC020288 | 6          | PE950149 | 10               |
| PC020289 | 6          | PE950152 | 3                |
| PC040010 | 1, 1, 6, 7 | PE950158 | 4                |
| PC910015 | 6          | PE970464 | 1, 11            |
| PC920144 | 6          | PE970609 | 1, 11            |
| PC920145 | 6          | PF031267 | 6                |
| PC920149 | 6          | PF930523 | 7                |
| PC920166 | 6          | PF930654 | 6                |
| PC920193 | 10         | PF930672 | 1                |
| PC920203 | 10         | PF930682 | 10               |
| PD020010 | 6          | PJ910031 | 5                |
| PD020013 | 1, 6       | PK030470 | 3                |



|                 |      |                 |   |
|-----------------|------|-----------------|---|
| PK050004 .....  | 7    | PM910435 .....  | 4 |
| PK920066 .....  | 2    | I20910075 ..... | 5 |
| PK930074 .....  | 4    | I20914114 ..... | 5 |
| PK930075 .....  | 4    | I20914115 ..... | 5 |
| PK930096 .....  | 4    |                 |   |
| PK930107 .....  | 4    |                 |   |
| PK930114 .....  | 9    |                 |   |
| PK930115 .....  | 9    |                 |   |
| PK930120 .....  | 9    |                 |   |
| PK930123 .....  | 8    |                 |   |
| PK930170 .....  | 9    |                 |   |
| PK930171 .....  | 9    |                 |   |
| PK930172 .....  | 9    |                 |   |
| PK930173 .....  | 9    |                 |   |
| PK930174 .....  | 9    |                 |   |
| PK930176 .....  | 9    |                 |   |
| PK930230 .....  | 1    |                 |   |
| PK930237 .....  | 9    |                 |   |
| PK930264 .....  | 4    |                 |   |
| PK930265 .....  | 4    |                 |   |
| PK930266 .....  | 4    |                 |   |
| PK930313 .....  | 9    |                 |   |
| PK930346 .....  | 4, 9 |                 |   |
| PK930348 .....  | 6    |                 |   |
| PK930404 .....  | 3    |                 |   |
| PM010616 .....  | 10   |                 |   |
| PM010619 .....  | 10   |                 |   |
| PM910072 .....  | 7    |                 |   |
| PM910084 .....  | 7    |                 |   |
| PM910190 .....  | 4    |                 |   |
| PM910206 .....  | 5    |                 |   |
| PM910227 .....  | 9    |                 |   |
| PM910231 .....  | 4    |                 |   |
| PM910288 .....  | 9    |                 |   |
| PM910305 .....  | 7    |                 |   |
| PM910331C ..... | 4    |                 |   |
| PM910334 .....  | 9    |                 |   |
| PM910348 .....  | 7    |                 |   |
| PM910349 .....  | 7    |                 |   |
| PM910375 .....  | 4    |                 |   |
| PM910411 .....  | 4    |                 |   |