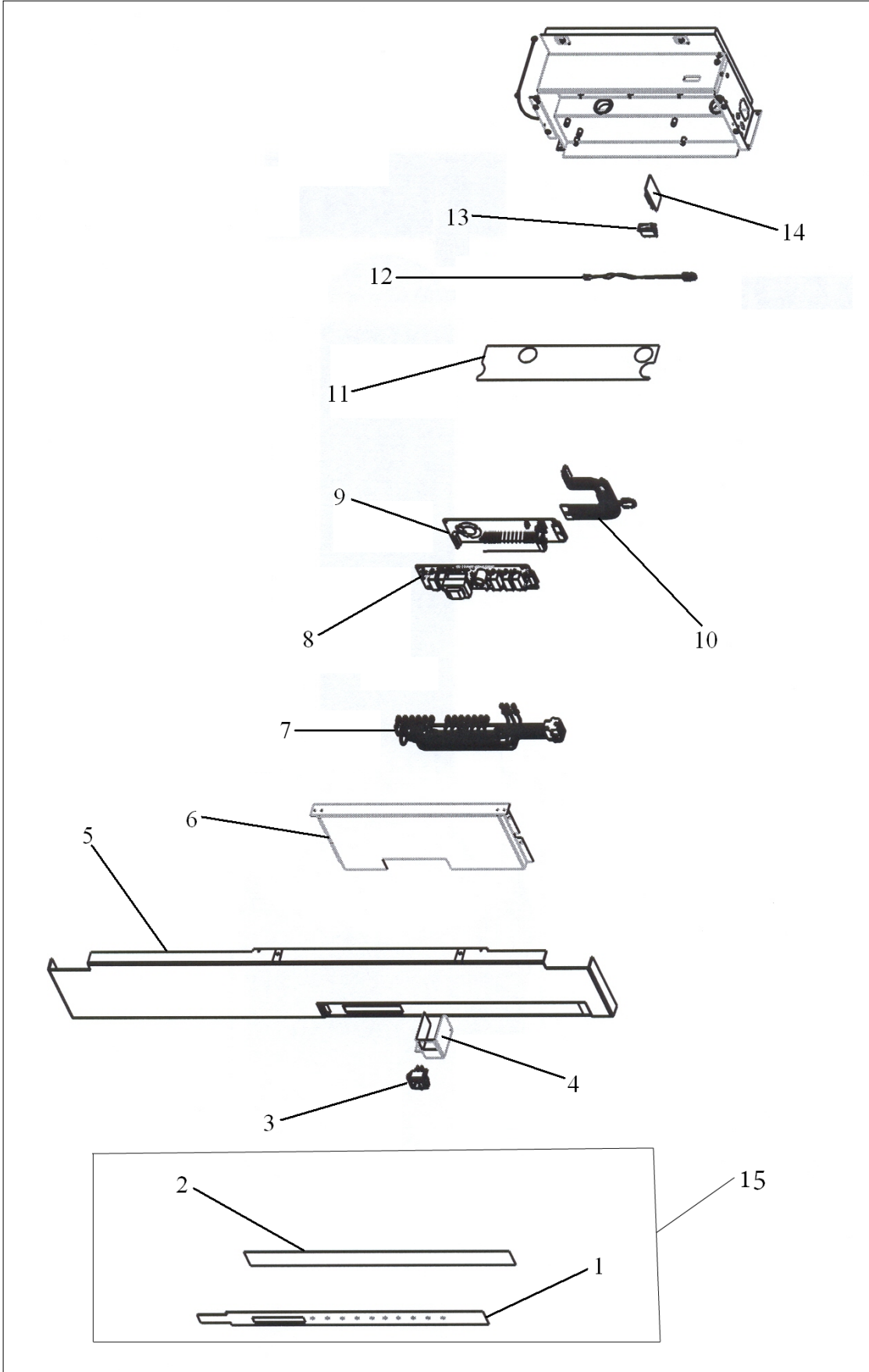


DDSB423D

CONTROL ASSY	1
EVAP AREA ASSY	2
FRZ DOOR SKIN ASSY	3
FRZ. COMP. ASSY	4
FRZ. DOOR FOAM ASSY	5
INNER REF DOOR ASSY	6
LIGHT AREA ASSY	7
LOWER UNIT ASSEMBLY	8
REF DOOR SKIN ASSY	9
REF. COMP. ASSY	10
UPPER GRILLE ASSY	11
UPPER UNIT ASSY	12
Appendix A:Pages Index	A
Appendix B:Parts Index	B

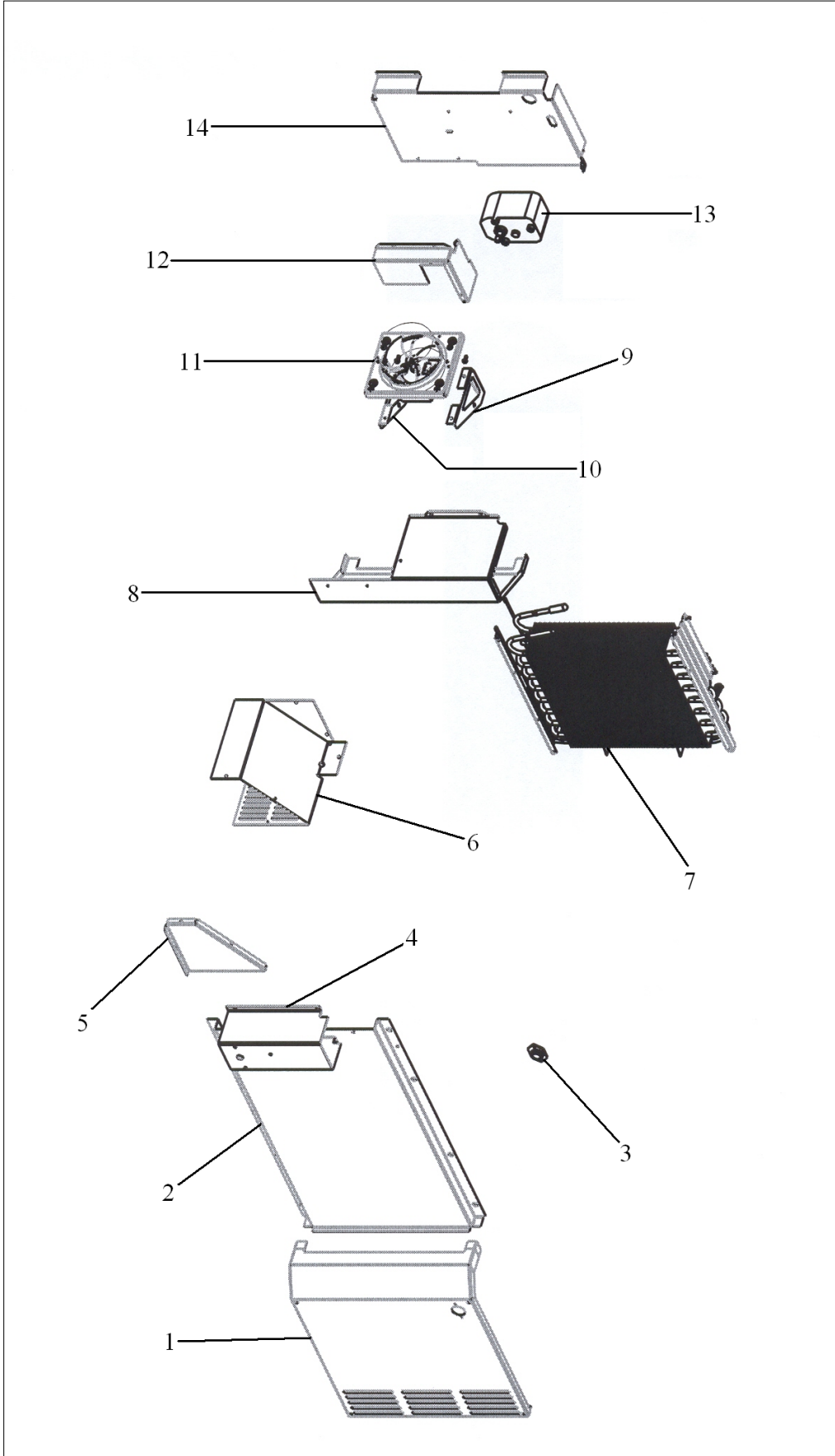
CONTROL ASSY





Item	Part No.	Name	Qty	Uom	NOTES
1	Order #15	Overlay, Keyboard		EA	
2	Order #15	Overlay, Keyboard		EA	
3	PE950149	SWITCH POWER		EA	
4	K2098654	Bracket, Power Switch		EA	
5	PK930230	Control Panel		EA	
6	K20910061	CONTROL BOX FRONT		EA	
7	PE970465	HARNESS HIGH VOLT		EA	
8	005319-000	POWER CONTROL BOARD ASM 5 SERIES		EA	
Comments for Part Num. 005319-000					
boltz on Apr 12, 2018 See TR-0056-SP Bulletin					
9	002670-000	LOW VOLTAGE BOARD KIT W/HARNESS		EA	
Comments for Part Num. 002670-000					
boltz on Apr 12, 2018 See TR-0022-SP Bulletin					
10	PE970464	HARNESS LOW VOLT 5 SERIES		EA	
11	PM910325	FILM, PROTECTIVE		EA	
12	PE970331	Harness, Adapter Board		EA	
13	PE950150	SPDT ROCKER SW. W/LEGEND		EA	
14	PE970330	Adapter Board		EA	
15	PE950159	SWITCH, KEYBOARD		EA	

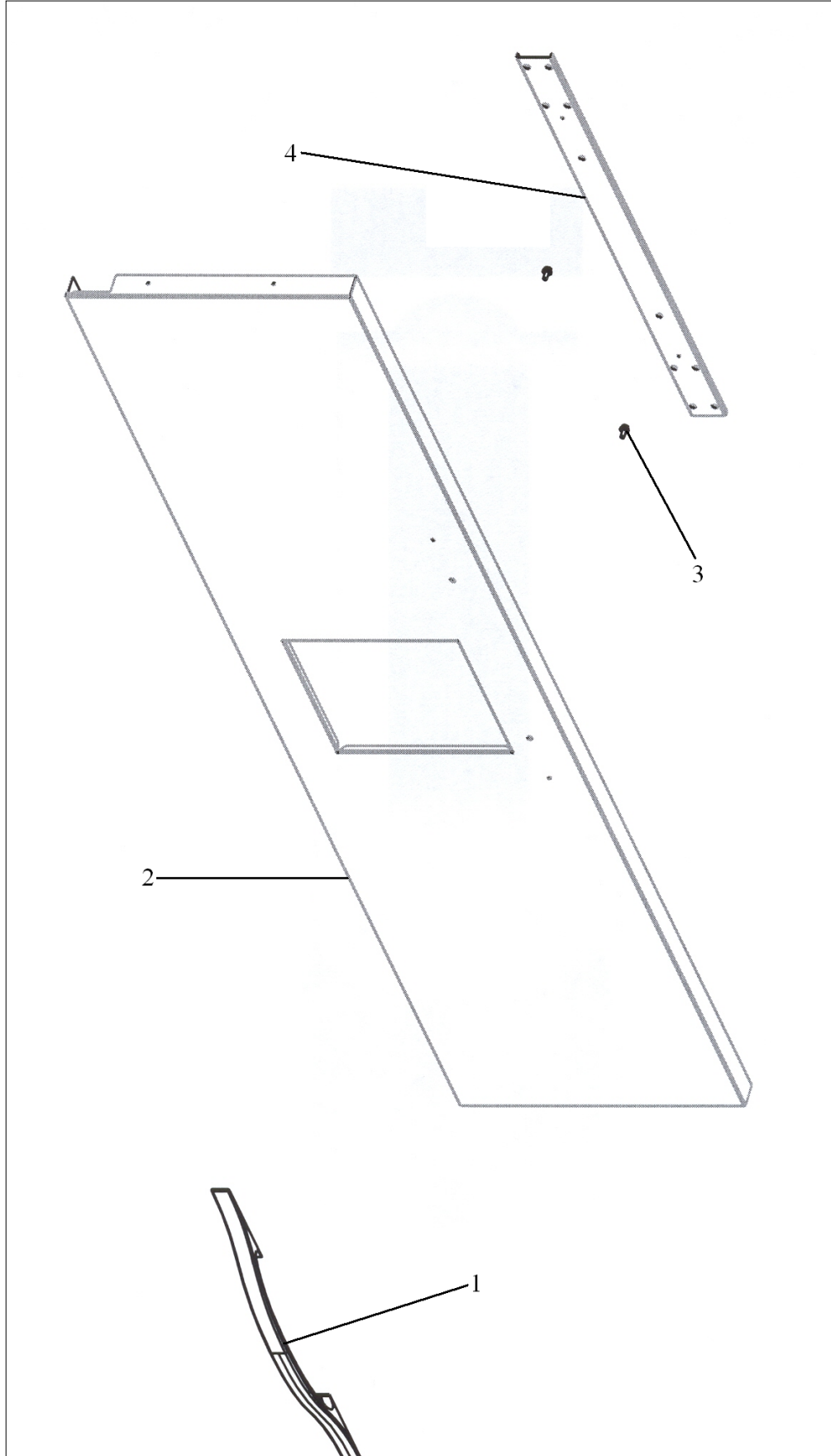
EVAP AREA ASSY





Item	Part No.	Name	Qty	Uom	NOTES
1	L20910054	COVER LOWER EVAP	1	EA	
2	L20910057	COVER CENTER EVAP	1	EA	
3	C8983701	THERMISTOR	1	EA	
4	C90910713WH	BRACKET AUGER MOTOR	1	EA	
5	L20910075	COVER EVAP FAN	1	EA	
6	L20910074	TRAN EVAP FAN	1	EA	
7	G5099446	EVAP ASM SXS 42	1	EA	
8	L20910056	COVER EVAP MOTOR	1	EA	
9	K2096457	BRKT-R-EVAP FAN 12223101	1	EA	
10	K2096458	BRKT-L-EVAP-FAN 12223102	1	EA	
11	G5098660	FAN EVAP ASM PANASONIC	1	EA	
12	L2098027	DUCT - EVAP FAN	1	EA	
13	PE950158	Motor Auger	1	EA	
14	C20910058	COVER UPPER EVAP	1	EA	

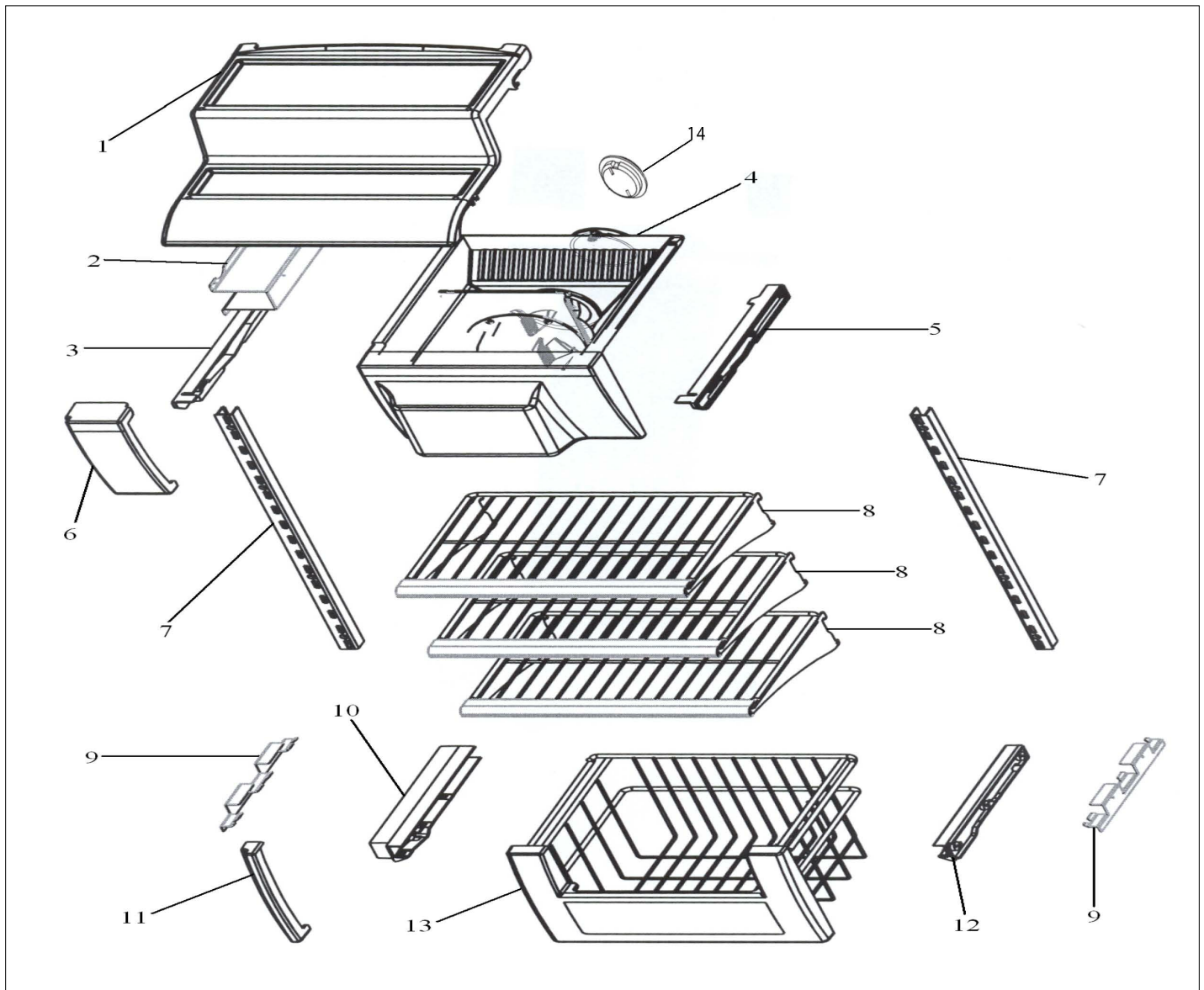
FRZ DOOR SKIN ASSY





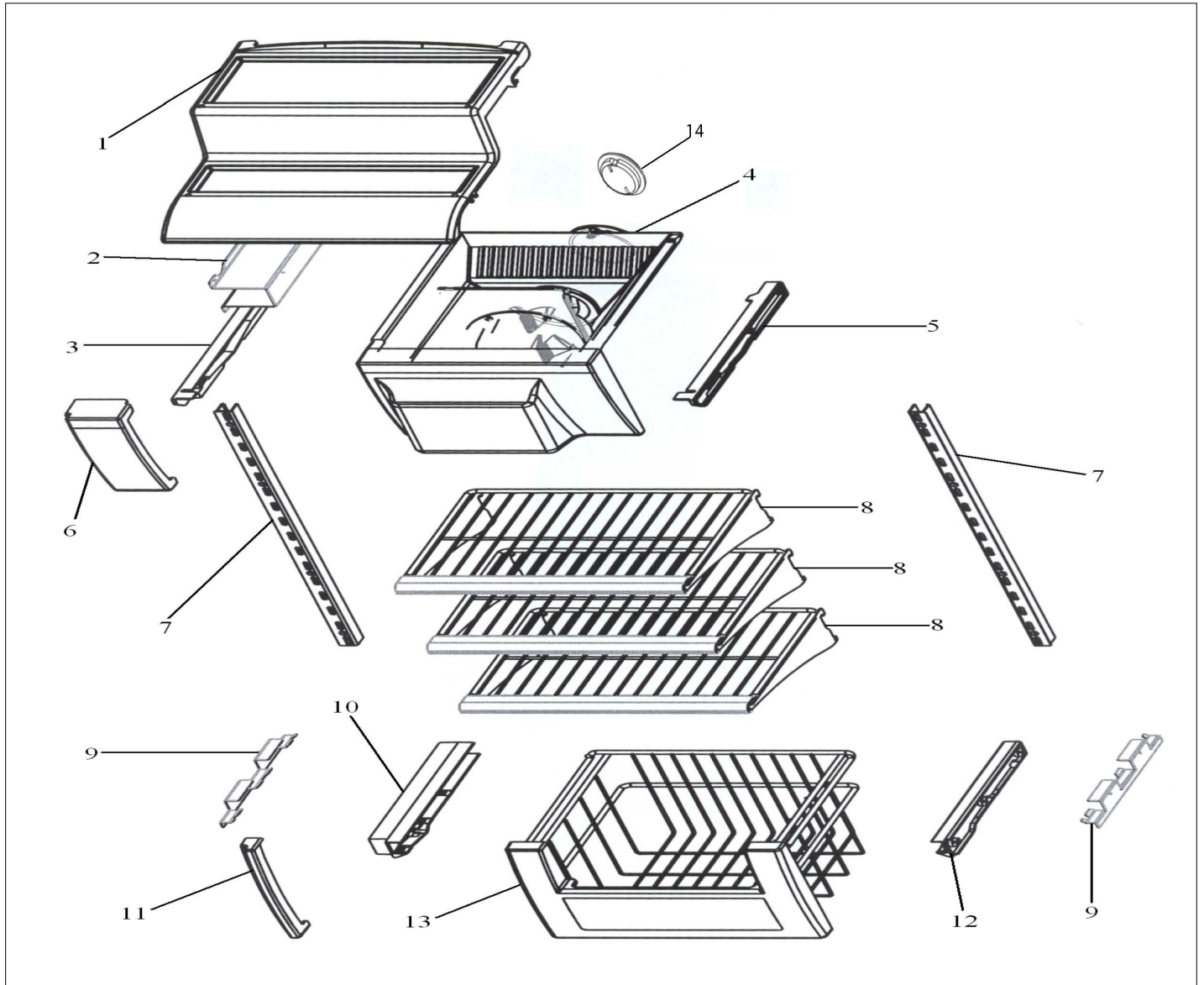
Item	Part No.	Name	Qty	Uom	NOTES
1	PE030166	Handle, Freezer Door - SS	1	EA	
Not Shown	PE030166PVD	Handle, Freezer Door - BR	1	EA	Not available online / Call for pricing and availability
2	B2099010	Door Skin Designer FZ 42 SxS disp	1	EA	Not available online / Call for pricing and availability
Not Shown	C9099010BK	Door Skin Designer FZ 42 SxS disp	1	EA	NO LONGER AVAILABLE, Not available online / Call for pricing and availability
Not Shown	L2099010WH	Door Skin Designer FZ 42 SxS disp	1	EA	NO LONGER AVAILABLE
Not Shown	C9099010BT	Door Skin Designer FZ 42 SxS disp	1	EA	NO LONGER AVAILABLE, Not available online / Call for pricing and availability
Not Shown	C9099010GG	Door Skin Designer FZ 42 SxS disp	1	EA	NO LONGER AVAILABLE
Not Shown	C9099010SG	Door Skin Designer FZ 42 SxS disp	1	EA	NO LONGER AVAILABLE, Not available online / Call for pricing and availability
3	M0204303	SCREW-MACH	1	EA	
4	K2096516	BRACE - SXS DOOR HANDLE 12447003	1	EA	

FRZ. COMP. ASSY





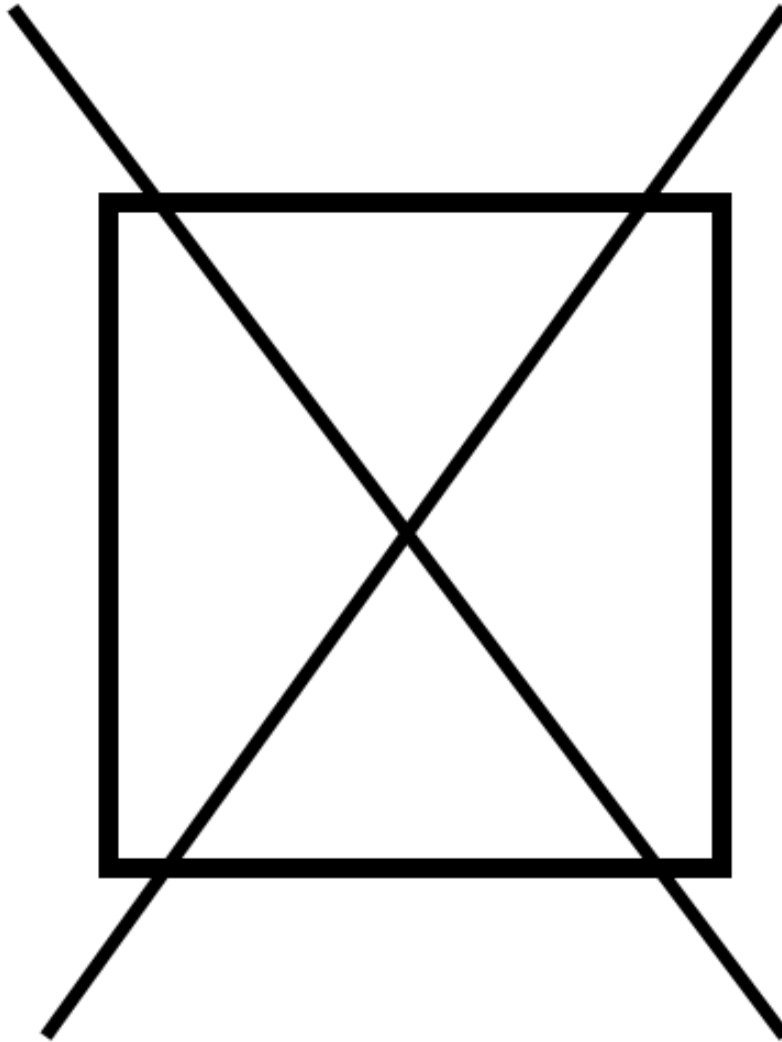
Item	Part No.	Name	Qty	Uom	NOTES
1	PK930264	SHELF COVER		EA	
2	C20910027	SUPPORT LS ICE BUCKET		EA	Not available online / Call for pricing and availability
3	PK930266	GLIDE L FZ		EA	
4	019144-000	ICE BUCKET ASM		EA	
<p>Comments for Part Num. 019144-000</p> <p>gboltz@VikingRange.com on Mar 28, 2017 See parts bulletin 2017-03P ice bucket helix replacement</p>					
NI	G50911858	ICE MAKER ASM, NLA, order components, see TR-0023C-SP		EA	NO LONGER AVAILABLE
<p>Comments for Part Num. G50911858</p> <p>jennifer@thetrend.com on Feb 12, 2016 It would be nice to have the ice maker in the right location. Even better if it gave the right part number.</p> <p>vharding68@verizon.net on Mar 16, 2016 Doesn't matter where it is or the part number....There has been a bulletin on these ice makers since November of 2007 (Btw...it is superseded by another bulletin that is prior to that date). Bulletin number TR-0023B-SP</p> <p>Val @ bob's, pa bradleysapplianceservice@shaw.ca on Sep 1, 2016 SERVICE BULLETIN: TR-0023B-SP SUBS TO: 002252-000 ICE MAKER MODULE 002251-000 ICE MAKER BAIL ARM 002253-000 ICE MAKER WIRE HARNESS</p> <p>platinumcares@aol.com on Dec 4, 2017 i/m assy #002252-000 wire harness 002253-000 arm # 002251-000</p> <p>you will need all three</p>					
5	PK930265	GLIDE R FZ		EA	
6	PK930096	CLOSEOUT - ICE DISPENSER		EA	





Item	Part No.	Name	Qty	Uom	NOTES
7	PM910375	LADDER R/L FZ		EA	
8	PM910411	SHELF WIRE AF 36		EA	
9	C20910067	BRACKET SHELF FZ		EA	NO LONGER AVAILABLE, Not available online / Call for pricing and availability
10	PK930075	GLIDE SXS 48 FZ L		EA	
11	PK930107	FZ BASKET SIDE SPACER FRONT		EA	
12	PK930074	GLIDE SXS 48 FZ R		EA	
13	PM910190	BASKET ASM FZ		EA	
14	PM910331C	CAP,HELIX		EA	

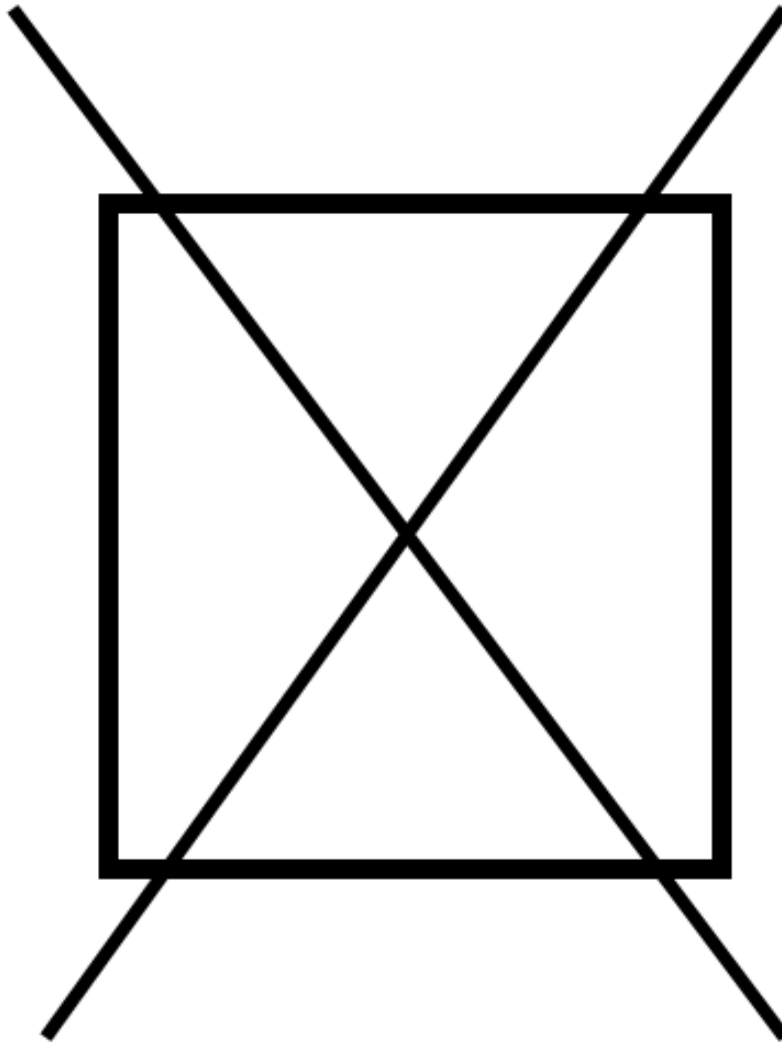
NON
ILLUSTRATED PART





Item	Part No.	Name	Qty	Uom	NOTES
1	PB910272	SUB TO PB910233 - BEZEL (DESIGNER)	1	EA	NO LONGER AVAILABLE
2	PB980034	SPILL TRAY	1	EA	Not available online / Call for pricing and availability
3	PK930401	DEFLECTOR-ICE	1	EA	
4	PK930274	TUBE CONNECTOR	1	EA	
5	12348201	Ice Chute	1	EA	
6	PK930403	CAVITY DISPENSER	1	EA	
7	PK930292	CHASE CABLE/WATERLINE 42 SXS DISP (NOT FIELD REPLACEABLE)	1	EA	
8	PC920147	PIVOT PLATE ASSY - WC LH BOT	1	EA	
9	PM910311	Frame - Top / Bottom	1	EA	
10	PD940092	SPACER - DOOR HINGE	1	EA	
11	PC920132	PIVOT PLATE ASSY - LH	1	EA	
12	PB070292	Gasket	1	EA	
13	PE940176	Door Trim - Side	1	EA	
14	G50910709	Door Foam Assy. - Inc. Gasket	1	EA	
15	V12221005	PAD - E ACTUATOR (BLK)	1	Wholesale Price	
16	PK930383	Arm, Ice Dispenser	1	EA	
17	PE950152	SWITCH SLIDE	1	EA	
18	12220301	Arm, Water Dispenser	1	EA	
19	PK930381	DOOR DISPENSER	1	EA	
20	PE070866	DISPENSER CAVITY ASSEMBLY	1	EA	
<p>Comments for Part Num. PE070866</p> <p>bradleysapplianceservice@shaw.ca on Apr 30, 2018</p> <p>SUBS TO: PE070866 DISPENSER CAVITY ASSY</p>					
Not Shown	NOTE	(BEFORE 4/15/05) - INCLUDES SWITCHES		EA	
Not Shown	PM910481	Cavity Cover Assembly - WH (Before 4/15/05)	1	EA	
Not Shown	NOTE	(BEFORE 4/15/05) - INCLUDES SWITCHES		EA	

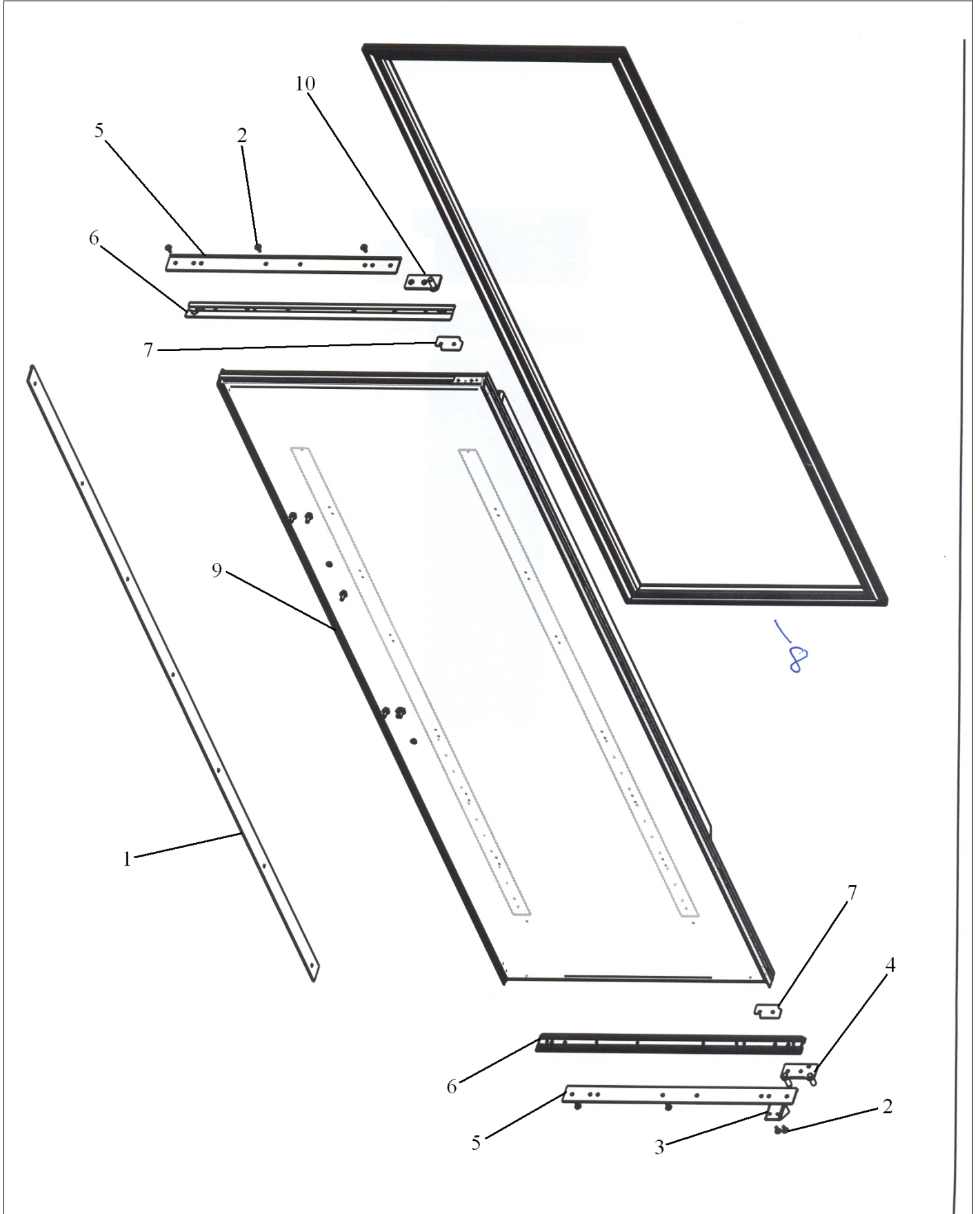
NON ILLUSTRATED PART





Item	Part No.	Name	Qty	Uom	NOTES
PM91051 6	PE070755	DISPENSER CAVITY ASSEMBLY	1	EA	
Not Shown	NOTE	(AFTER 4/15/05) - INCLUDES SWITCHES		EA	
Not Shown	PM910517	Cavity Cover Assembly - WH (After 4/15/05)	1	EA	
Not Shown	NOTE	(AFTER 4/15/05) - INCLUDES SWITCHES		EA	
21	PC010021	SPRING DISP. DOOR	1	EA	
22	12193801	GASKET - ICE DR	1	EA	
23	036888-000	DOORBIN ASM SXS FZ	1	EA	
24	C8973603	Door Delay	1	EA	
NI	043051-000	Door Harness	1	EA	
NI	G50911859	Dispenser Line Sleeve Protector Kit	1	EA	
NI	PB910274	Insert Façade (Before 4/15/05)	1	EA	
Not Shown	NOTE	(BEFORE 4/15/05)		EA	
NI	041624-000	Insert Façade (After 4/15/05)	1	EA	
Not Shown	NOTE	(After 4/15/05)		EA	
NI	040066-000	HARNESS JUMPER LOWER	1	EA	
NI	040078-000	HARNESS, JUMPER DISP CAVITY	1	EA	

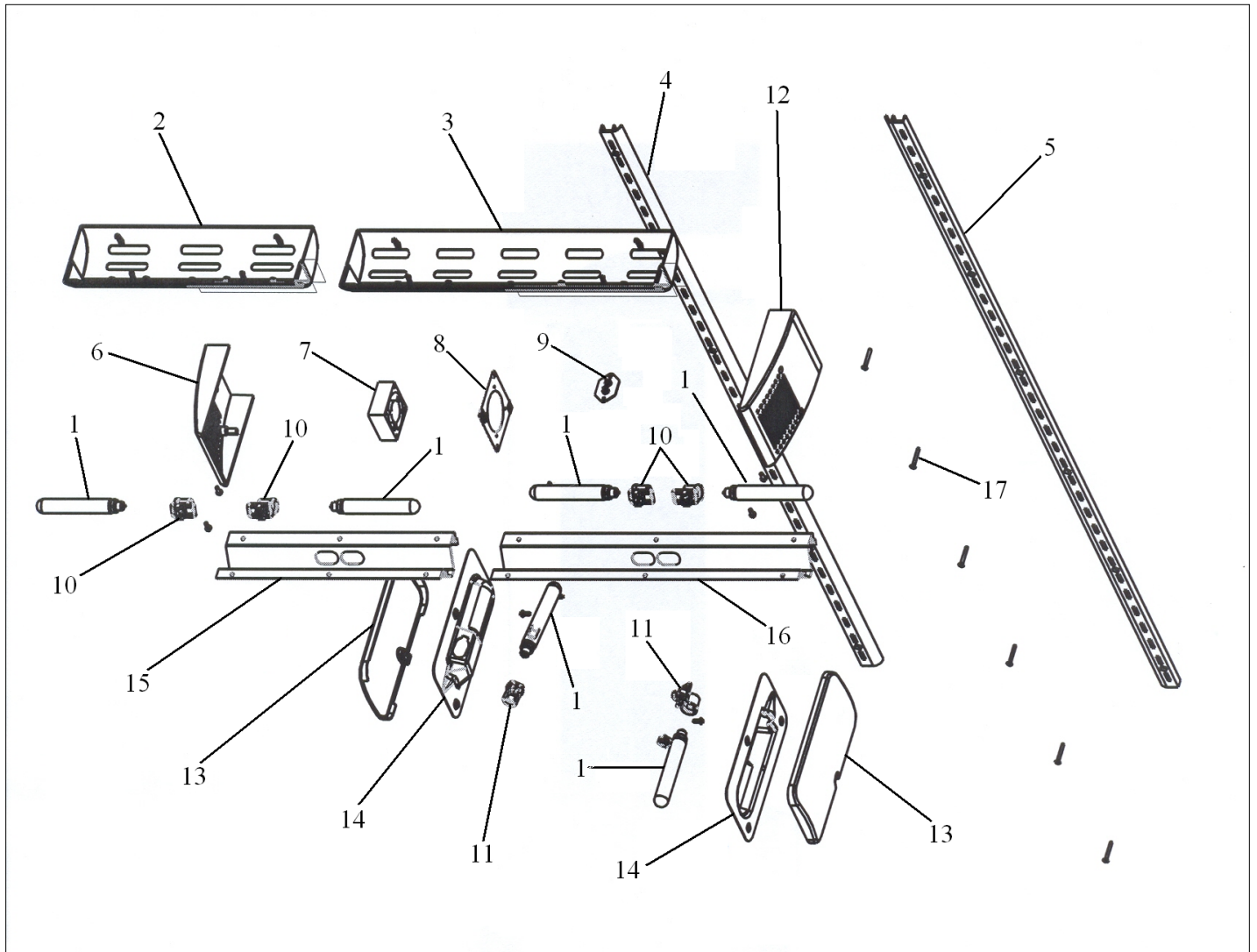
INNER REF DOOR ASSY





Item	Part No.	Name	Qty	Uom	NOTES
1	PE970146	DOOR TRIM - SIDE	1	EA	Not available online / Call for pricing and availability
2	M0210458	SCR 8-18 X 5/8 WAFER PH SMS	1	EA	
3	PD050019	STRIKER DOOR SWITCH	1	EA	
4	PC920146	PIVOT PLATE ASSY - WC RH BOT	1	EA	
5	PK930240	TRIM DOOR BULLNOSE SXS 42 FF TOP/BOT	1	EA	NO LONGER AVAILABLE
6	PM010612	TRIM DOOR 42 FF TOP BOT FOL	1	EA	
7	PD940092	SPACER - DOOR HINGE	1	EA	
8	PB070293	DOOR GASKET, 42 SXS FF SIDE CHARGE	1	EA	
9	G5098625	DOOR ASM SXS 42 FF	1	EA	
10	PC920133	PIVOT PLATE ASSY - RH	1	EA	

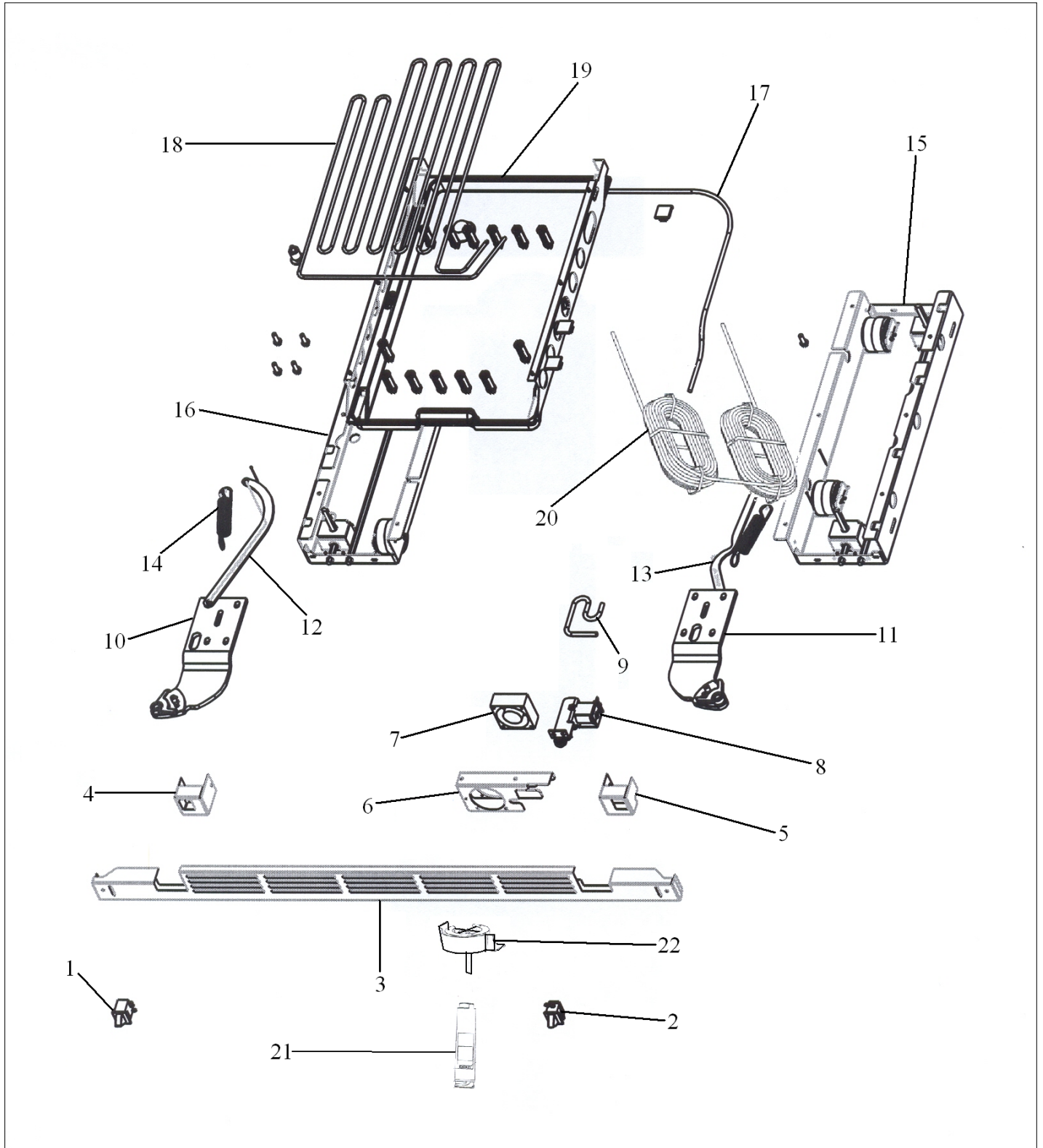
LIGHT AREA ASSY



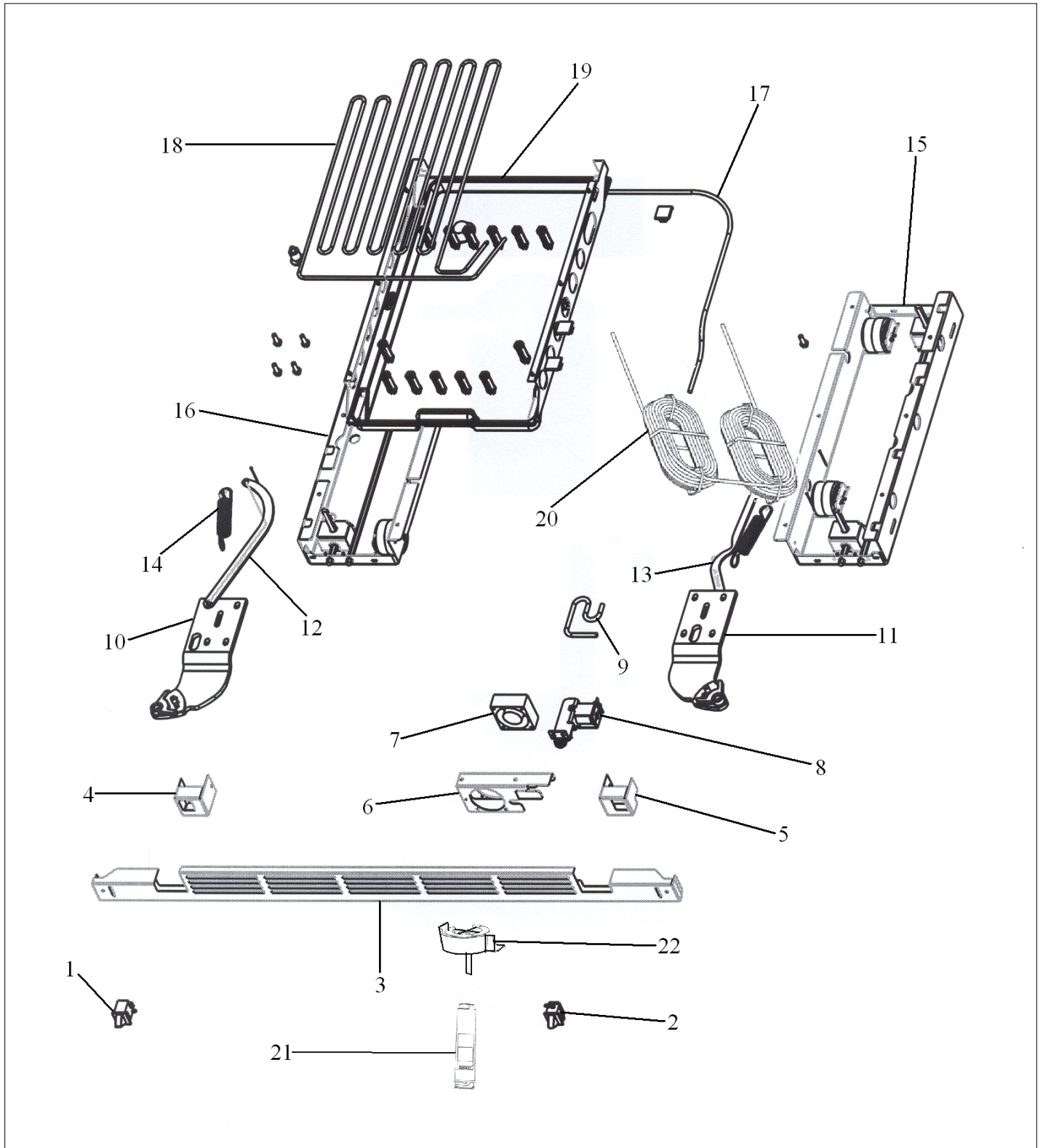


Item	Part No.	Name	Qty	Uom	NOTES
1	004528-000	LAMP, 40 WATT CLEAR LIGHT	1	EA	
2	020117-000	COVER LIGHT ASM SXS 42 FZ	1	EA	
3	PK930115	COVER LIGHT ASM SXS 42 FF	1	EA	
4	PM910228	LADDER LS REF	1	EA	NO LONGER AVAILABLE
5	PM910227	LADDER RS REF	1	EA	
6	PK930086	COVER FAN SXS 48 FZ	1	EA	
7	004551-000	AXIAL FAN	1	EA	
<p>Comments for Part Num. 004551-000</p> <p>gboltz@VikingRange.com on Jul 21, 2016</p> <p>View service bulletin TR-0052-SP before ordering fan, if applicable order kit instead of fan</p>					
8	K2096475	FAN MOUNTING PLATE	1	EA	
9	C8983701	THERMISTOR	1	EA	
10	PE950125	LIGHT SOCKET	1	EA	
11	10281601	SOCKET-SGL LIGHT	1	EA	
12	PK930085	COVER FAN SXS 48 FF	1	EA	
13	10270101	COVER, LIGHT	1	EA	
14	10270203	HOUSING-LIGHT V10270203	1	EA	
15	L2099475	BRACKET LIGHT SXS FZ	1	EA	
16	L2099474	BRACKET LIGHT SXS 42 FF	1	EA	Not available online / Call for pricing and availability
17	M0238535	SCREW-SM	1	EA	
NI	PK920066	TRIM, EXTRU, SIDE DES	1	EA	

LOWER UNIT ASSEMBLY



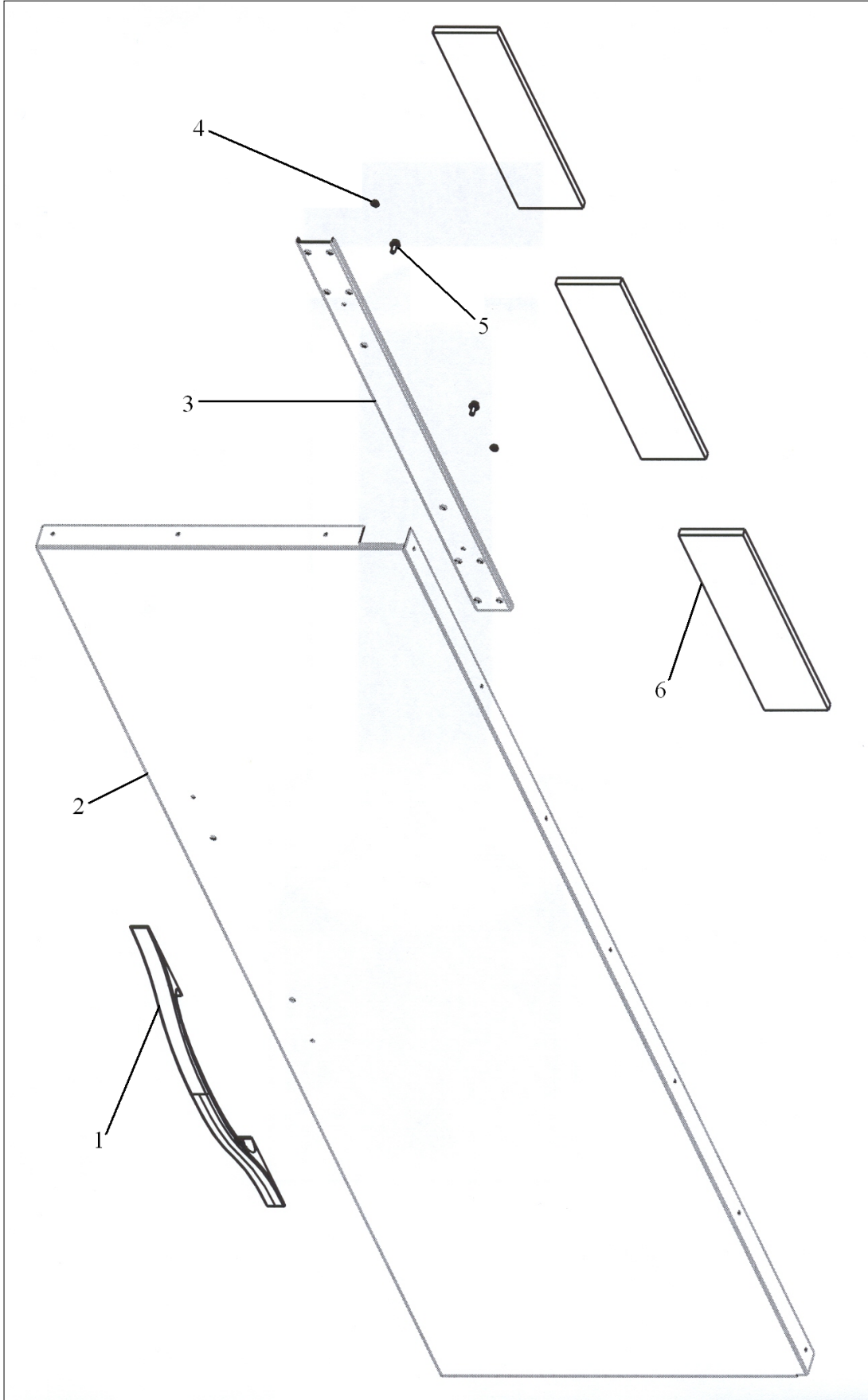
Item	Part No.	Name	Qty	Uom	NOTES
1	PE950146	SPDT SWITCH	1	EA	
2	PE950147	SWITCH SPST NC BLACK	1	EA	
Comments for Part Num. PE950147 bradleysapplianceservice@shaw.ca on May 1, 2017 CAUTION WHEN ORDERING DOOR SWITCH. PARTS LISTINGS COULD BE INCORRECT. THERE IS TWO VERSIONS OF THIS DOOR SWITCH THAT NEEDS TO BE VISUALLY CHECKED ON UNIT TO DETERMINE CORRECT PART. PE950146 DOOR SWITCH 3 WIRE SPDT BLACK PE950147 DOOR SWITCH 2 WIRE SPST BLACK					
3	G5097788	TOE GRILLE ASSEMBLY	1	EA	
4	L20915004	BASE GRILLE SWITCH MNT LH	1	EA	
5	L20915003	BASE GRILLE SWITCH MNT RH	1	EA	
6	K2099464	BRACKET, FAN AND VALVE	1	EA	
7	004551-000	AXIAL FAN	1	EA	
Comments for Part Num. 004551-000 gboltz@VikingRange.com on Jul 21, 2016 View service bulletin TR-0052-SP before ordering fan, if applicable order kit instead of fan					
8	PA070014	WATER VALVE	1	EA	
Not Shown	NOTE	(After 05/25/05)		EA	
Not Shown	G50911843	WATER VALVE KIT	1	EA	
Not Shown	NOTE	(Before 05/25/05)		EA	
9	PB920202	TUBING, WATER VALVE	1	EA	
10	G3298649	HINGE ASM COMPLETE LL	1	EA	
11	G3298648	HINGE ASM COMPLETE LR	1	EA	
12	PC920149	BAR-WC BOT HINGE LH	1	EA	
13	PC920166	HINGE ASM COMPLETE RR	1	EA	
14	PC910015	SPRING EXTENSION	1	EA	
15	060890-000	LEVELER MODULE R	1	EA	
16	060891-000	LEVELER MODULE L	1	EA	
17	PB020302	PLASTIC TUBING-DOOR WATERLINE SXS DISP	1	EA	





Item	Part No.	Name	Qty	Uom	NOTES
18	F2099467	SERPENTINE, DRAIN PAN	1	EA	
19	12071301	PAN, DRAIN	1	EA	
Not Shown	NOTE	(Before 02/07/05)		EA	
Not Shown	PK930348	PAN DRAIN	1	EA	
Not Shown	NOTE	(After 02/07/05)		EA	
20	PB920223	TANK, COILED WATER	1	EA	
21	PM910465	WATER FILTER	1	EA	
Not Shown	NOTE	MUST HAVE INSTALLED G50911814 KIT BEFORE		EA	
Not Shown	NOTE	PM910465 CAN BE USED IF UNTI MADE BEFORE 7/19/04.		EA	
22	041669-000	FILTER/COIL TUBE ASSEMBLY	1	EA	

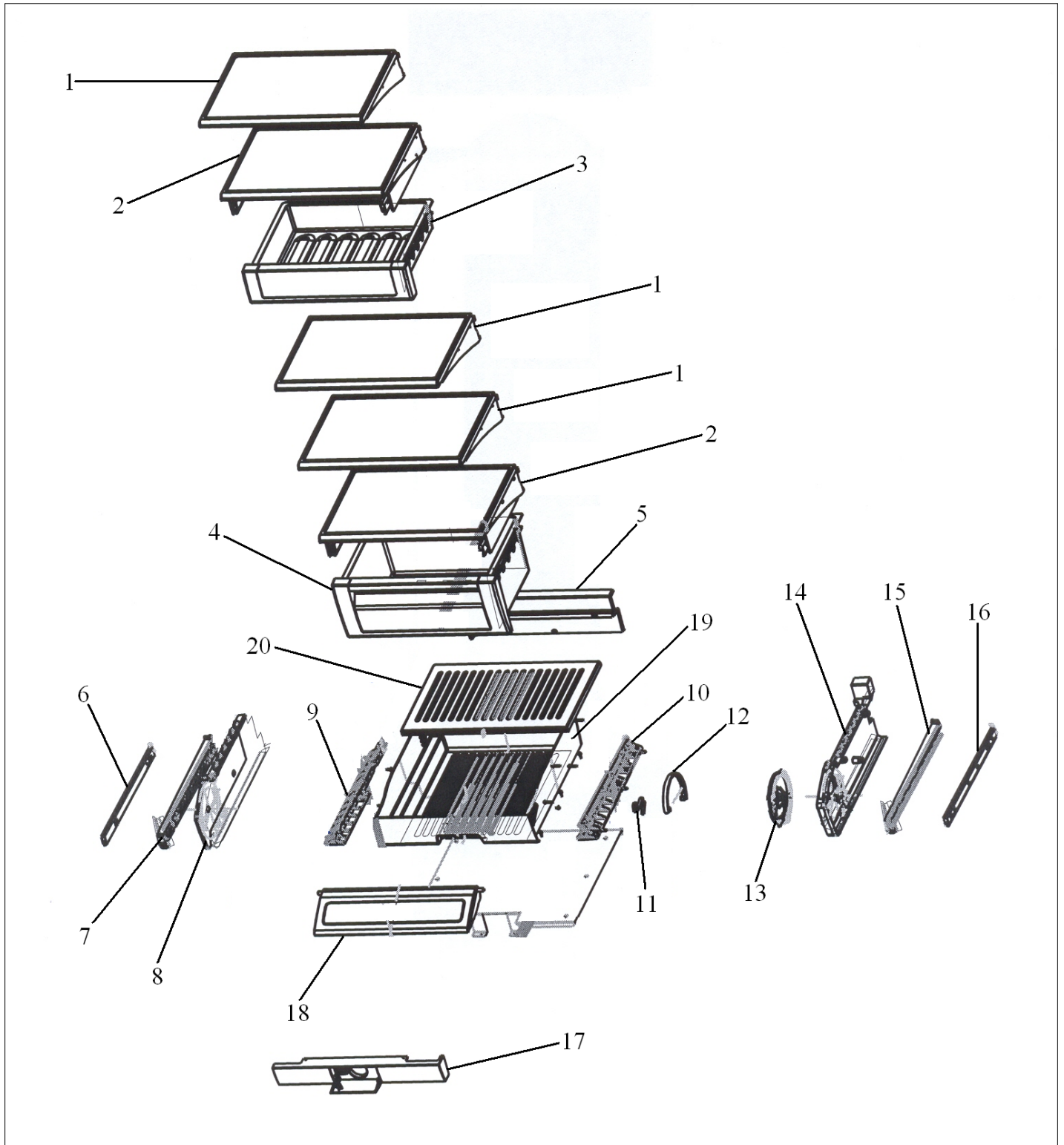
REF DOOR SKIN ASSY





Item	Part No.	Name	Qty	Uom	NOTES
1	PE030166	Handle, Freezer Door - SS	1	EA	
Not Shown	PE030166PVD	Handle, Freezer Door - BR	1	EA	Not available online / Call for pricing and availability
2	B2099429	SKIN DOOR SXS 42 FF DES	1	EA	
Not Shown	C9099429BK	DOOR SKIN SXS 42 FF DES BK	1	EA	NO LONGER AVAILABLE
Not Shown	L2099429WH	DOOR SKIN SXS 42 FF DES WH	1	EA	NO LONGER AVAILABLE
Not Shown	C9099429BT	DOOR SKIN SXS 42 FF DES BT	1	EA	NO LONGER AVAILABLE, Not available online / Call for pricing and availability
Not Shown	C9099429GG	DOOR SKIN SXS 42 FF DES GG	1	EA	NO LONGER AVAILABLE
Not Shown	C9099429SG	DOOR SKIN SXS 42 FF DES SG	1	EA	NO LONGER AVAILABLE, Not available online / Call for pricing and availability
3	K2097526	Bracket, Handle Support (Frz.)	1	EA	
4	PD030006	CAPPED WASHER PAL NUT	1	EA	
5	M0204303	SCREW-MACH	1	EA	
6	PM910067	INSULATION (REFRIGERATOR DOOR)	1	EA	Not available online / Call for pricing and availability

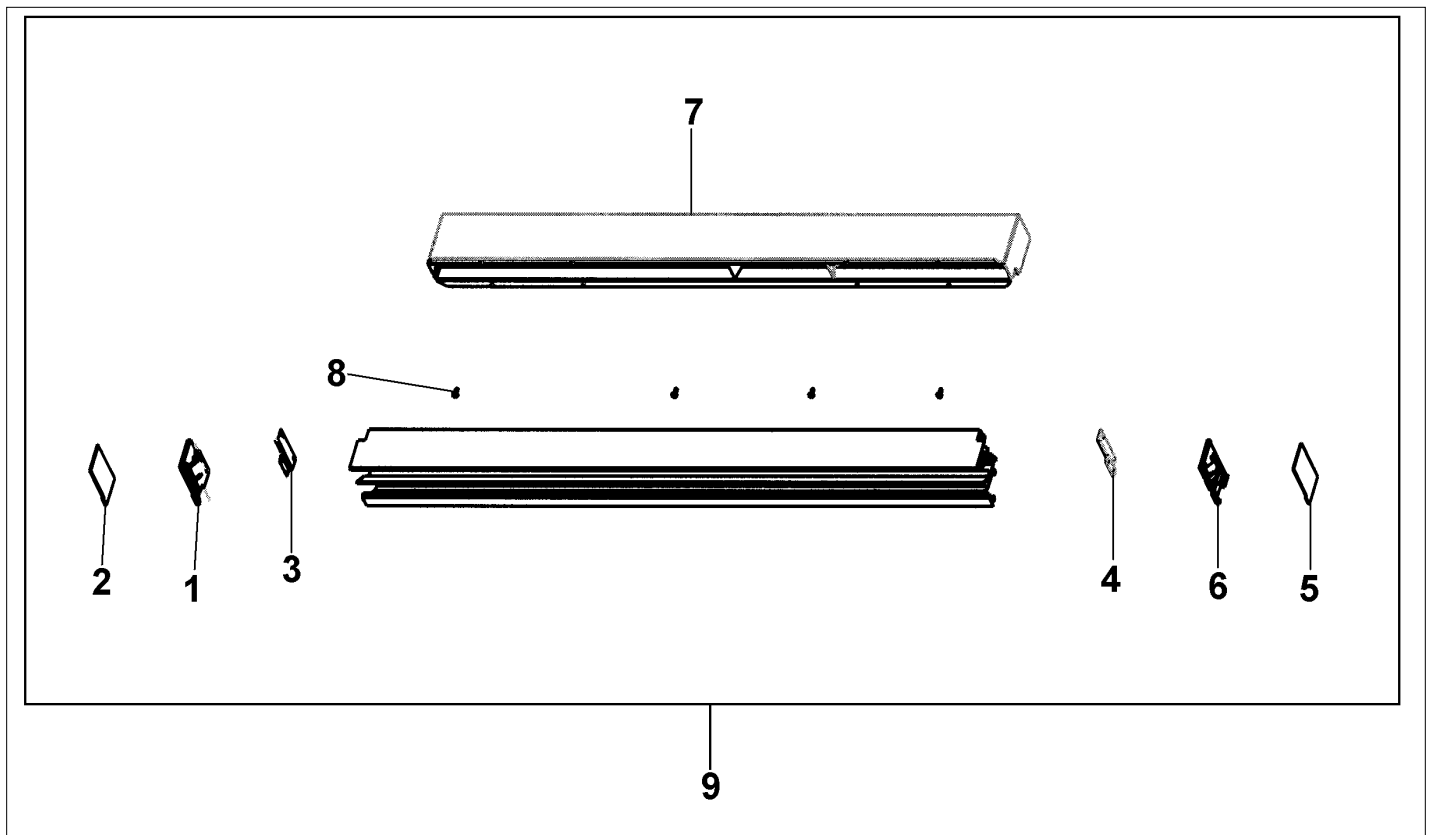
REF. COMP. ASSY





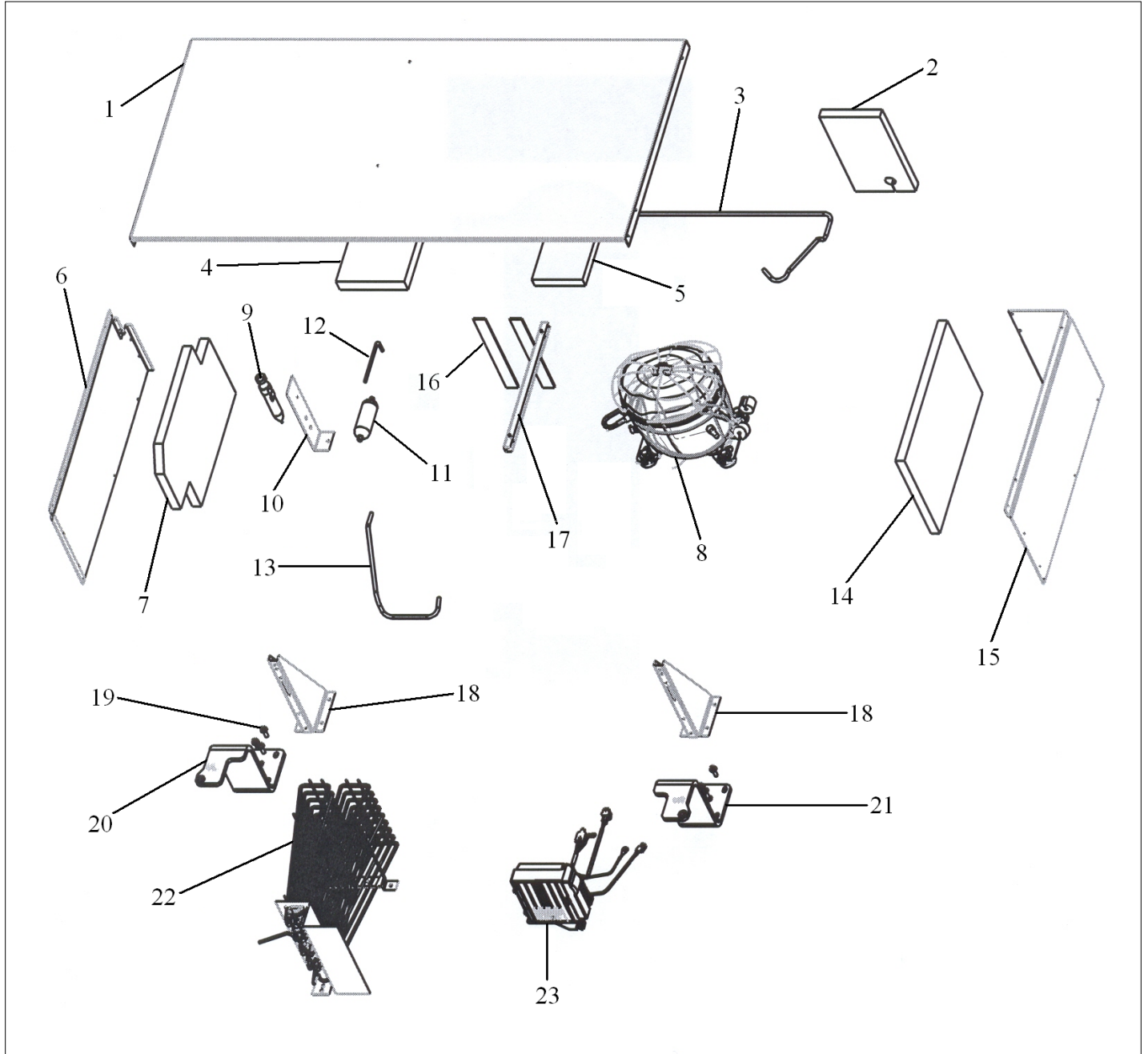
Item	Part No.	Name	Qty	Uom	NOTES
1	PM910236	GLASS SHELF	1	EA	Not available online / Call for pricing and availability
2	G5099426	SHELF AND SLIDE ASSEMBLY	1	EA	
3	G32910068	DRAWER DELI & RAIL ASM SXS 42	1	EA	
4	G32910069	PRODUCE DRAWER & RAIL ASM SXS 42	1	EA	
5	PK930171	DUCT MEAT SAVOR SXS 42 REAR	1	EA	
6	PM910288	SLIDE MEAT SAVOR L	1	EA	
<p>Comments for Part Num. PM910288</p> <p>profixappliances@gmail.com on May 3, 2017</p> <p>ITEM # 5 SHOULD BE PK930288-DOOR MEATSAVOR ASM AR/BM 36</p>					
7	PK930176	SUPPORT DRAWER MEAT SAVOR 42/48 L	1	EA	
8	PK930170	DUCT MEAT SAVOR SXS 42 L	1	EA	
9	PK930174	SUPPORT SLIDE MEAT SAVOR SXS 42/48 L	1	EA	
10	PK930173	SUPPORT SLIDE MEAT SAVOR SXS 42/48 R	1	EA	
11	PM910334	ROLLER TENSION	1	EA	
12	PK930172	COVER CONTROL MEAT SAVOR	1	EA	
13	044384-000	DIAL CONTROL MEAT SAVOR	1	EA	
14	044232-000	DUCT MEAT SAVOR (R)	1	EA	
15	PK930175	SUPPORT DRAWER MEAT SAVOR SXS 42/48 R	1	EA	
16	PM910287	SLIDE MEAT SAVOR R	1	EA	
17	G50910716	FALSE FRONT ASM, SXS 42 DISP	1	EA	
18	045689-000	DOOR MEATSAVOR ASM SXS 42	1	EA	
19	PK930114	DRAWER MEAT SAVOR SXS 42	1	EA	
20	PK930120	SHELF MEAT SAVOR SXS 42	1	EA	
NI	019244-000	ACCESSORY, ASM	1	EA	

UPPER GRILLE ASSY



Item	Part No.	Name	Qty	Uom	NOTES
1	PM910349	END CAP GRILLE L	1	EA	
2	PM910071	COVER - END CAP 12119801	1	EA	
3	C9099471BK	BRACKET GRILLE SUPPORT DES L	1	EA	Not available online / Call for pricing and availability
4	C9099470BK	BRACKET GRILLE SUPPORT DES R	1	EA	Not available online / Call for pricing and availability
5	PM910072	COVER - END CAP	1	EA	
6	PM910348	ENP CAP GRILLE R	1	EA	
7	G3097768	AIR DUCT WELD ASM 42	1	EA	NO LONGER AVAILABLE
8	M0238616	SCREW, SMALL	1	EA	
9	G3298673	GRILLE ASM SXS 42 DES	1	EA	Not available online / Call for pricing and availability

UPPER UNIT ASSY





Item	Part No.	Name	Qty	Uom	NOTES
1	K2099458	MC TOP SXS 42		EA	
2	PB970171	MC INSULATION - BACK SIDE		EA	Not available online / Call for pricing and availability
3	F2099443	TUBE DISCHARGE FORMED PRE ACCUM		EA	
4	12074704	INSUL-MC CVR		EA	
5	12074701	INSUL-MC CVR V12074701		EA	
6	K2099460	MC SIDE L		EA	
7	12074601	INSUL-L MC CVR V12074601		EA	
8	G5097976	Compressor Assembly (Includes Drier)		EA	
9	PM010616	DRIER - HIGH SIDE		EA	
10	K2099454	BRACKET DRIER		EA	
11	PB920201	ACCUMULATOR		EA	
12	F2096504	TUBE-DRIER EXT		EA	
13	F2099444	TUBE DISCHARGE FORMED POST ACCUM		EA	
14	12074702	INSUL-R MC CVR V12074702		EA	
15	K2099459	MC SIDE (RIGHT)		EA	
16	A3189370	GASKET-FOAM VA3189370		EA	
17	K2099455	SUPPORT MC Z		EA	
18	C2097595	Louver Support Bracket		EA	
19	000570-000	FASTENER, BOLT, 1/4-20 IHXWS 1" S ZN SER		EA	
20	PC920204	HINGE ASM UL		EA	
21	PC920203	HINGE ASM UR		EA	
22	PB920171	CONDENSER ASM		EA	
23	011666-000	INVERTER,CMPR,ASM		EA	
Comments for Part Num. 011666-000					
gboltz@VikingRange.com on Aug 9, 2018					
See 2018-01P Parts Bulletin					
NI	053308-000	HEAT EXCHANGER ASM SXS 42		EA	



Appendix A:Pages Index

CONTROL ASSY 1
EVAP AREA ASSY 2
FRZ DOOR SKIN ASSY 3
FRZ. COMP. ASSY 4
FRZ. DOOR FOAM ASSY 5
INNER REF DOOR ASSY 6
LIGHT AREA ASSY 7
LOWER UNIT ASSEMBLY 8
REF DOOR SKIN ASSY 9
REF. COMP. ASSY 10
UPPER GRILLE ASSY 11
UPPER UNIT ASSY 12



Appendix B:Parts Index

000570-000	12	C8983701	2, 7
002670-000	1	C90910713WH	2
004528-000	7	C9099010BK	3
004551-000	7, 8	C9099010BT	3
005319-000	1	C9099010GG	3
011666-000	12	C9099010SG	3
019144-000	4	C9099429BK	9
019244-000	10	C9099429BT	9
020117-000	7	C9099429GG	9
036888-000	5	C9099429SG	9
040066-000	5	C9099470BK	11
040078-000	5	C9099471BK	11
041624-000	5	F2096504	12
041669-000	8	F2099443	12
043051-000	5	F2099444	12
044232-000	10	F2099467	8
044384-000	10	G3097768	11
045689-000	10	G32910068	10
053308-000	12	G32910069	10
060890-000	8	G3298648	8
060891-000	8	G3298649	8
10270101	7	G3298673	11
10270203	7	G50910709	5
10281601	7	G50910716	10
12071301	8	G50911843	8
12074601	12	G50911858	4
12074701	12	G50911859	5
12074702	12	G5097788	8
12074704	12	G5097976	12
12193801	5	G5098625	6
12220301	5	G5098660	2
12348201	5	G5099426	10
A3189370	12	G5099446	2
B2099010	3	K20910061	1
B2099429	9	K2096457	2
C20910027	4	K2096458	2
C20910058	2	K2096475	7
C20910067	4	K2096516	3
C2097595	12	K2097526	9
C8973603	5	K2098654	1
		K2099454	12



K2099455	12	PC920166	8
K2099458	12	PC920203	12
K2099459	12	PC920204	12
K2099460	12	PD030006	9
K2099464	8	PD050019	6
L20910054	2	PD940092	5, 6
L20910056	2	PE030166	3, 9
L20910057	2	PE030166PVD	3, 9
L20910074	2	PE070755	5
L20910075	2	PE070866	5
L20915003	8	PE940176	5
L20915004	8	PE950125	7
L2098027	2	PE950146	8
L2099010WH	3	PE950147	8
L2099429WH	9	PE950149	1
L2099474	7	PE950150	1
L2099475	7	PE950152	5
M0204303	3, 9	PE950158	2
M0210458	6	PE950159	1
M0238535	7	PE970146	6
M0238616	11	PE970330	1
Order #15	1, 1	PE970331	1
PA070014	8	PE970464	1
PB020302	8	PE970465	1
PB070292	5	PK920066	7
PB070293	6	PK930074	4
PB910272	5	PK930075	4
PB910274	5	PK930085	7
PB920171	12	PK930086	7
PB920201	12	PK930096	4
PB920202	8	PK930107	4
PB920223	8	PK930114	10
PB970171	12	PK930115	7
PB980034	5	PK930120	10
PC010021	5	PK930170	10
PC910015	8	PK930171	10
PC920132	5	PK930172	10
PC920133	6	PK930173	10
PC920146	6	PK930174	10
PC920147	5	PK930175	10
PC920149	8	PK930176	10



PK930230 1
PK930240 6
PK930264 4
PK930265 4
PK930266 4
PK930274 5
PK930292 5
PK930348 8
PK930381 5
PK930383 5
PK930401 5
PK930403 5
PM010612 6
PM010616 12
PM910067 9
PM910071 11
PM910072 11
PM910190 4
PM910227 7
PM910228 7
PM910236 10
PM910287 10
PM910288 10
PM910311 5
PM910325 1
PM910331C 4
PM910334 10
PM910348 11
PM910349 11
PM910375 4
PM910411 4
PM910465 8
PM910481 5
PM910517 5
V12221005 5